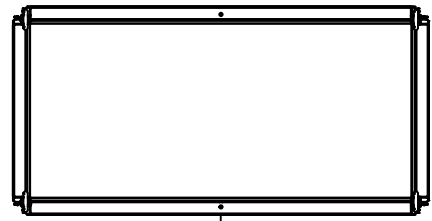
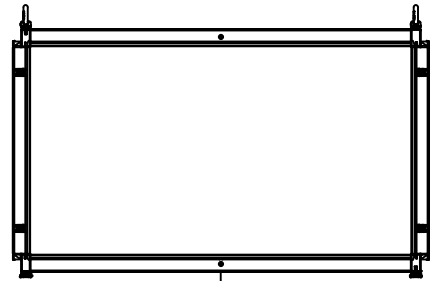


This drawing is confidential and must not be reproduced or used without the consent of EXM

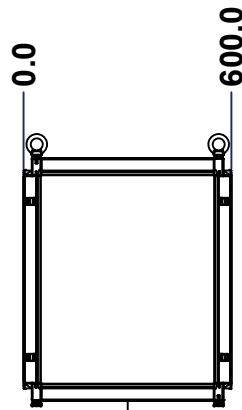
Ce dessin est confidentiel et ne doit pas être reproduit ou utilisé sans le consentement de EXM



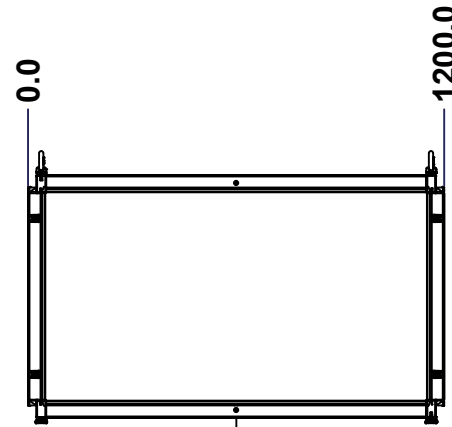
TOP



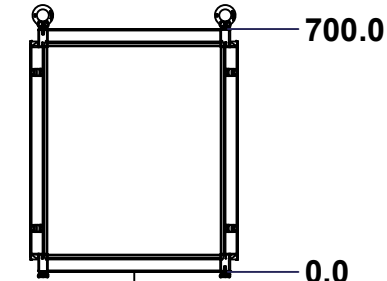
BACK



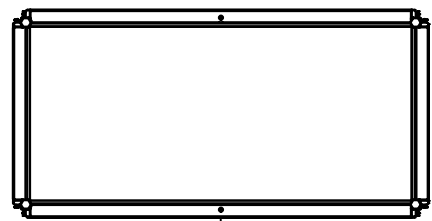
LEFT



FRONT

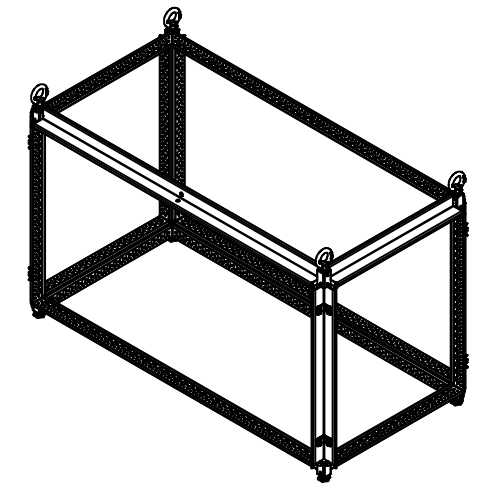


RIGHT




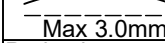
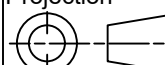
BOTTOM

No.	Revisions	Date	By/Par



Isometric View



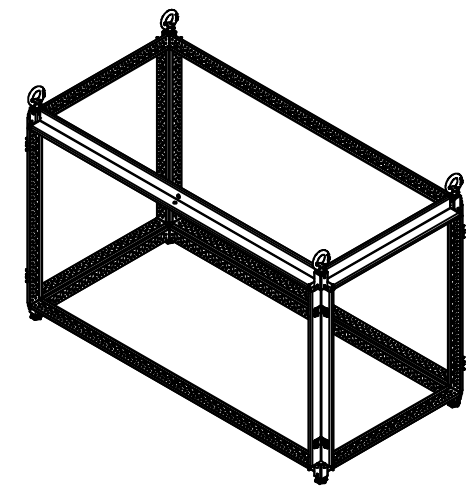
 Tél: (450) 979-4373 Fax: (450) 979-4626 <a href="http://www.exmweb.com">www.exmweb.com</a>		Flatness Aplatissement  Max 3.0mm Projection 
Customer Client		Date
Drawn By Dessiné Par	BoxCad: BoxCad	Date 28-Aug-23
Material Matière	See Part List	
Color Couleur	See Part List	Finish Fini See Part List
Description 6500MX 700mm x 1200mm x 600mm Assembly		Detail Rev.
Part Number Numéro Pièce <b>6500MXK071206</b>		Rev. BoxCad <b>0</b>

SEE BILL OF MATERIAL ON LAST PAGE

This drawing is confidential and must not be reproduced or used without the consent of EXM

Ce dessin est confidentiel et ne doit pas être reproduit ou utilisé sans le consentement de EXM

No.	Revisions	Date	By/Par



Isometric View



Tél: (450) 979-4373  
 Fax: (450) 979-4626  
[www.exmweb.com](http://www.exmweb.com)

Flatness  
Aplatissement  
Max 3.0mm  
Projection

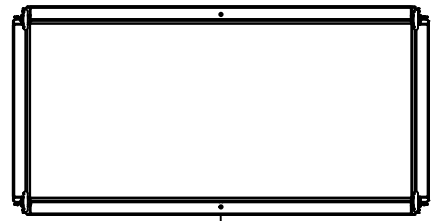
Customer Client	Date
Drawn By / Dessiné Par: BoxCad: BoxCad	Date: 28-Aug-23
Material / Matière: See Part List	
Color / Couleur: See Part List	Finish / Fini: See Part List
Description: 6500MX 700mm x 1200mm x 600mm Assembly	Detail Rev.

Qty	Part Number	Rev	Description
1	6500MXK071206FR	0	6500 MX 700mm x 1200mm x 600mm Frame
Parts List			

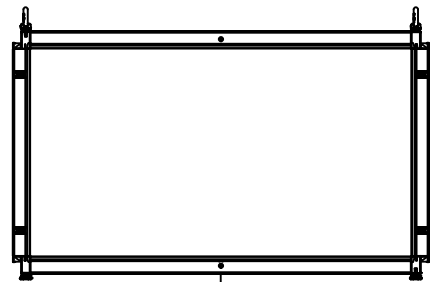
Part Number / Numéro Pièce: <b>6500MXK071206</b>	Rev. / BoxCad: <b>0</b>
--	-------------------------

This drawing is confidential and must not be reproduced or used without the consent of EXM

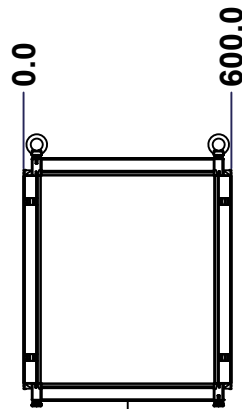
Ce dessin est confidentiel et ne doit pas être reproduit ou utilisé sans le consentement de EXM



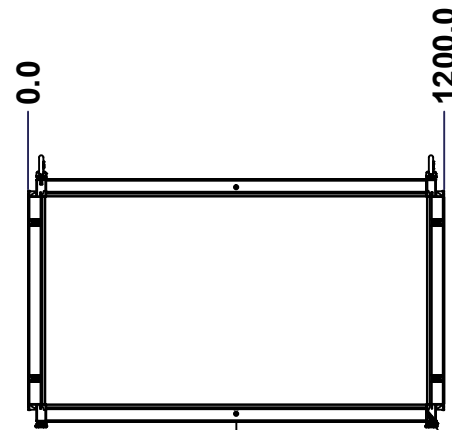
TOP



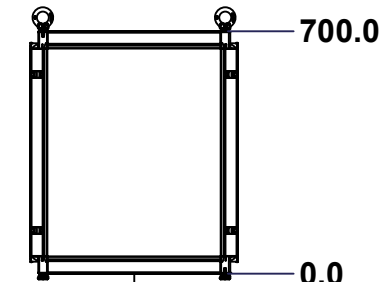
BACK



LEFT

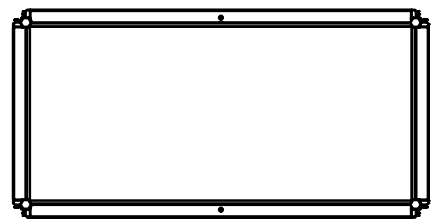


FRONT



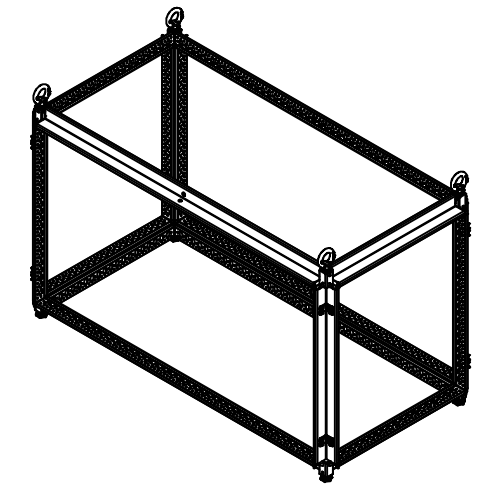
RIGHT

Grind excess weld off corner(s)



BOTTOM

No.	Revisions	Date	By/Par



Isometric View

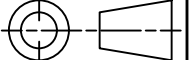


Tél: (450) 979-4373  
 Fax: (450) 979-4626  
[www.exmweb.com](http://www.exmweb.com)

Flatness  
Aplatissement

Max 3.0mm

Projection



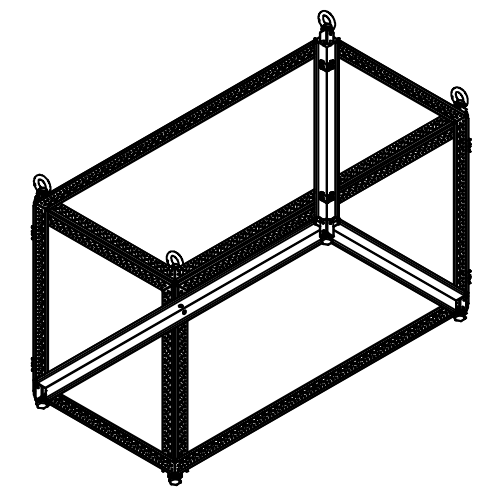
Customer Client	Date
Drawn By Dessiné Par BoxCad: BoxCad	Date 28-Aug-23
Material Matière 16 Ga Electro-Galvanized (1.4mm)	
Color Couleur Iron Grey RAL7011	Finish Fini Rough Textured
Description 6500 MX 700mm x 1200mm x 600mm Frame	Detail Rev.
Part Number Numéro Pièce <b>6500MXK071206FR</b>	Rev. 1 <b>0</b> 2

SEE BILL OF MATERIAL ON LAST PAGE

This drawing is confidential and must not be reproduced or used without the consent of EXM

Ce dessin est confidentiel et ne doit pas être reproduit ou utilisé sans le consentement de EXM

No.	Revisions	Date	By/Par



Isometric View



Tél: (450) 979-4373  
 Fax: (450) 979-4626  
[www.exmweb.com](http://www.exmweb.com)

Flatness  
Aplatissement  
Max 3.0mm  
Projection

1	STK-P-03810R	0	Powder Paint (Iron Grey / Rough Textured)
4	STK-Q-47250-12	6	6500 MX 1200mm Horizontal Frame Post Part
4	STK-Q-47250-06	6	6500 MX 600mm Horizontal Frame Post Part
22	STK-Q-77120	1	6500MX-Frame Rubber Plug
8	STK-A-70580	4	Mtrx Bracket
8	STK-Q-00610	3	M16 x 30.0mm Bolt
8	STK-A-49448	6	6500 MX - Frame Sheet Metal Corner Assembly
4	STK-Q-49500	3	M12 Eye Bolt (0.34T)
4	STK-Q-61110	0	M12 Feet Leveler
4	STK-Q-47251-07	6	6500 MX 700mm Vertical Frame Post Part

Customer Client	Date
Drawn By Dessiné Par BoxCad: BoxCad	Date 28-Aug-23
Material Matière	16 Ga Electro-Galvanized (1.4mm)
Color Couleur Iron Grey RAL7011	Finish Fini Rough Textured
Description 6500 MX 700mm x 1200mm x 600mm Frame	Detail Rev.
Part Number Numéro Pièce <b>6500MXK071206FR</b>	Rev. 2 <b>0</b>

Qty	Part Number	Rev	Description
Parts List			