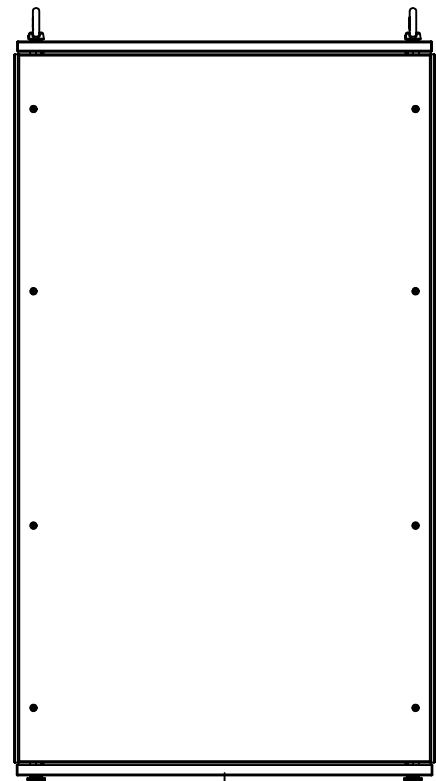


This drawing is confidential and must not be reproduced or used without the consent of EXM

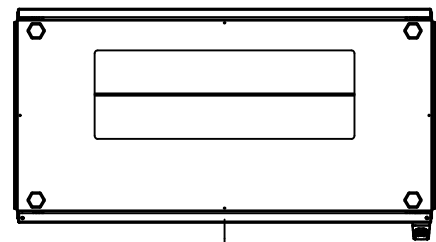
Ce dessin est confidentiel et ne doit pas être reproduit ou utilisé sans le consentement de EXM



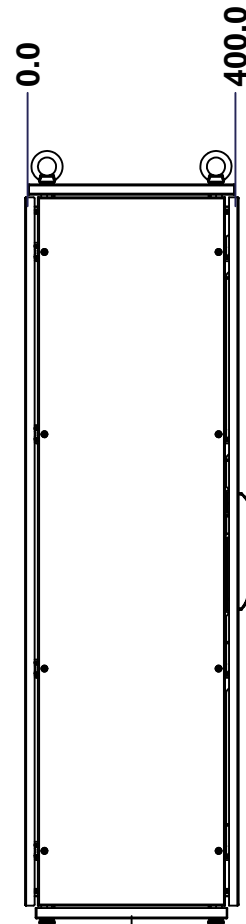
TOP



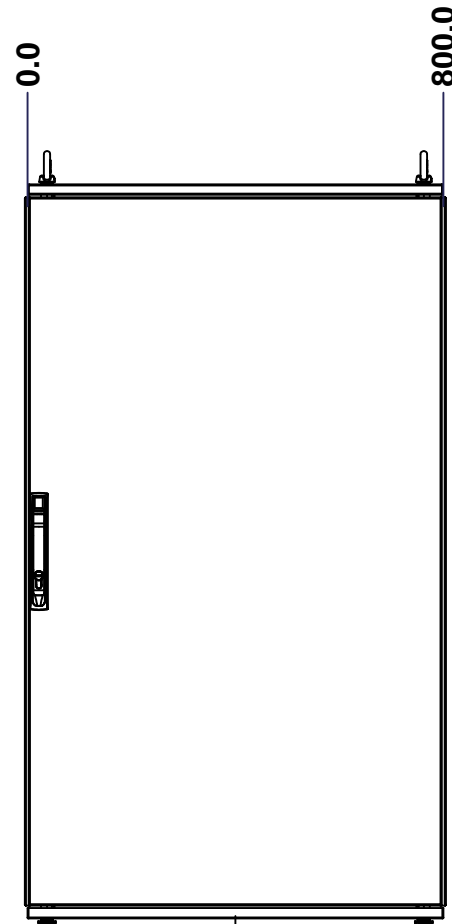
BACK



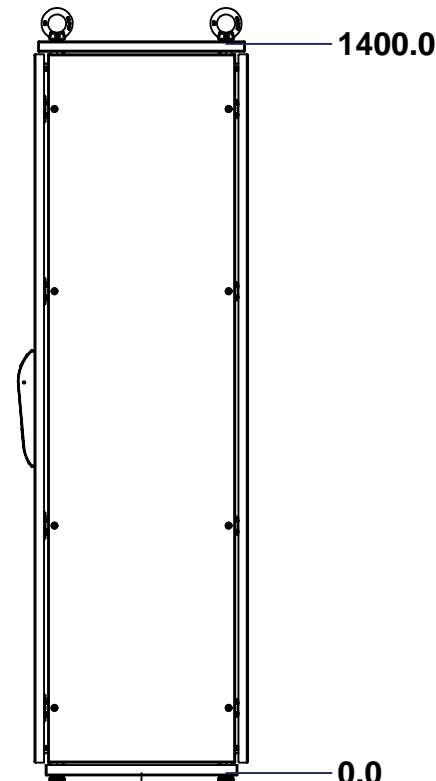
BOTTOM



LEFT

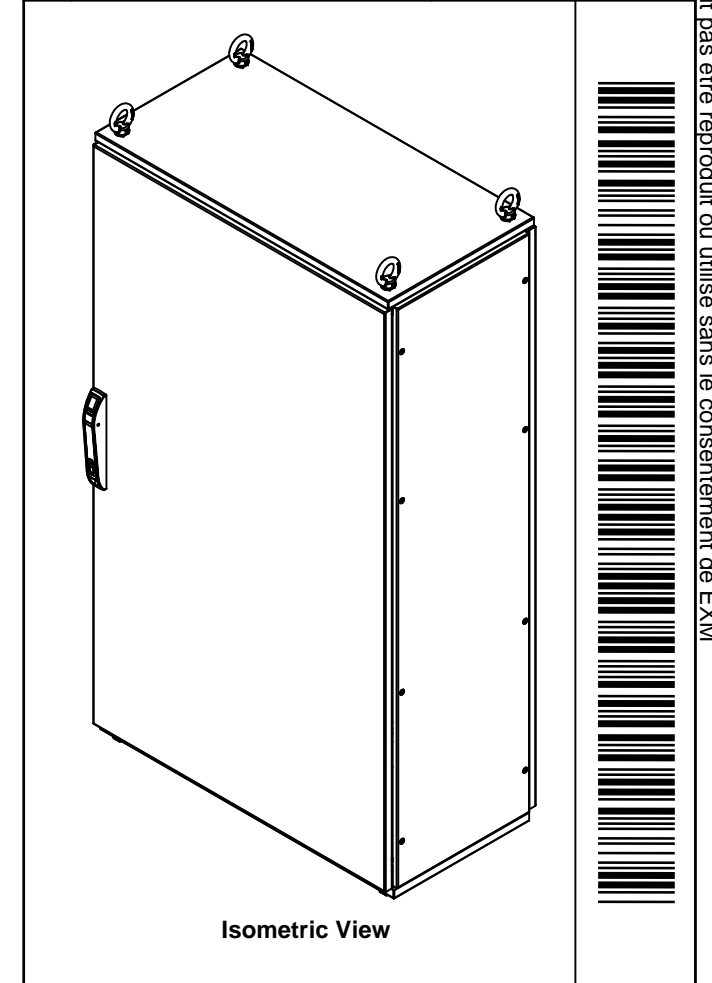



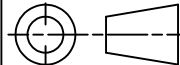
FRONT



RIGHT

No.	Revisions	Date	By/Par



 Tél: (450) 979-4373 Fax: (450) 979-4626 www.exmweb.com		Flatness Aplatissement Max 3.0mm Projection 
Customer Client	Date	Date
Drawn By Dessiné Par	BoxCad: Annie	Date 29/01/2015
Material Matière	See Part List	
Color Couleur	See Part List	Finish Fini See Part List
Description 6500MX 1400mm x 800mm x 400mm Assembly	Detail Rev.	
Part Number Numéro Pièce	Rev. 0	1 2

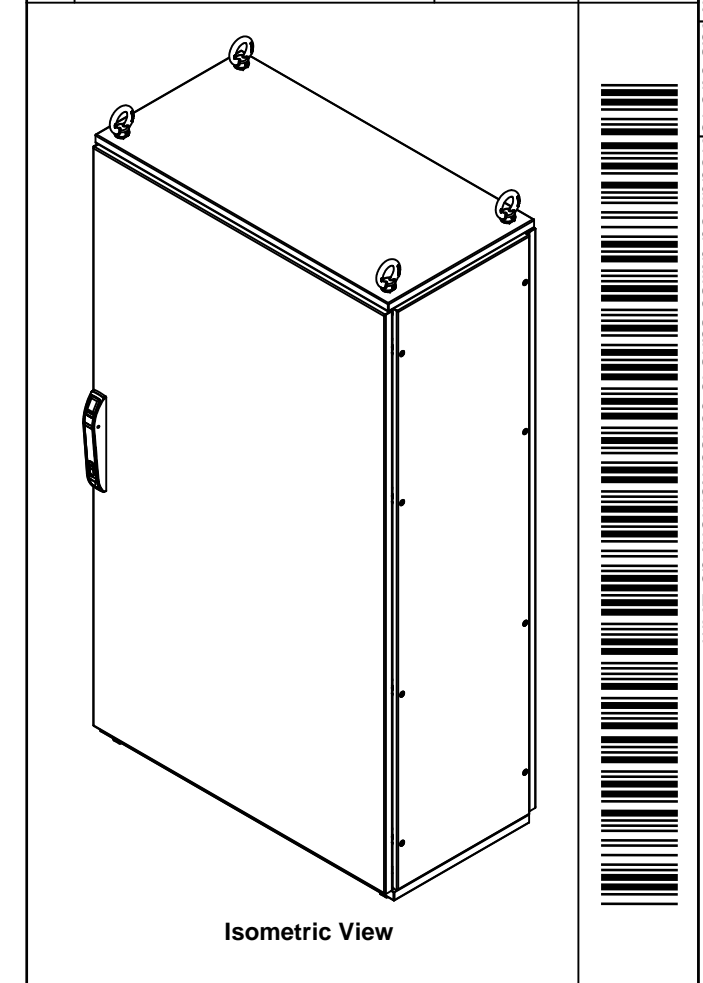
SEE BILL OF MATERIAL ON LAST PAGE


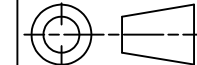
6500MXK140804

This drawing is confidential and must not be reproduced or used without the consent of EXM

Ce dessin est confidentiel et ne doit pas être reproduit ou utilisé sans le consentement de EXM

No.	Revisions	Date	By/Par

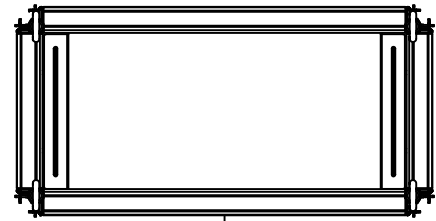


		Tél: (450) 979-4373 Fax: (450) 979-4626 www.exmweb.com		Flatness Aplatissement Max 3.0mm			
Customer Client		Date		Projection 			
Drawn By Dessiné Par		Date					
Material Matière		See Part List		Date 29/01/2015			
Color Couleur		See Part List		Finish Finis See Part List			
Description 6500MX 1400mm x 800mm x 400mm Assembly				Detail Rev.			
Part Number Numéro Pièce		Rev. 0		<table border="1" style="width: 100%;"> <tr> <td style="width: 50%; text-align: center;">2</td> <td style="width: 50%; text-align: center;">2</td> </tr> </table>		2	2
2	2						
6500MXK140804							

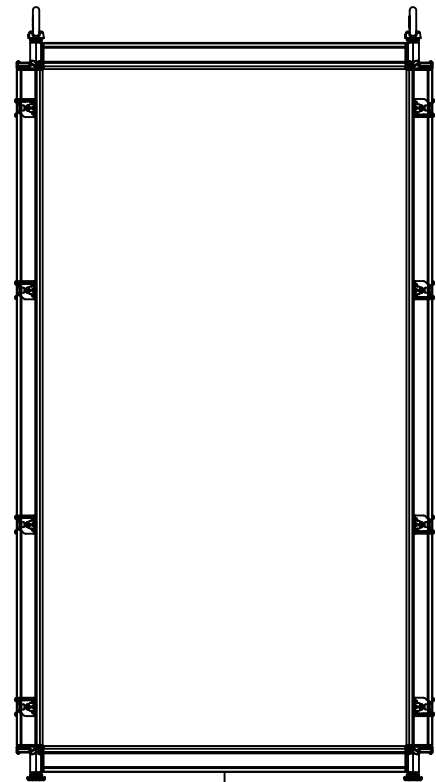
Qty	Part Number	Rev	Description
1	6500MXK140804BIP	0	6500 MXM 1400mm x 800mm Back Inner Panel
1	6500MXK140804R	0	6500 MXC 1400mm x 400mm Right
1	6500MXK140804L	0	6500 MXC 1400mm x 400mm Left
1	6500MXK140804F	0	6500 MXD 1400mm x 800mm Front
1	6500MXK140804B	0	6500 MXR 1400mm x 800mm Back
1	6500MXK140804BT	0	6500 MXB 800mm x 400mm Bottom
1	6500MXK140804T	0	6500 MXT 800mm x 400mm Top
1	6500MXK140804FR	0	6500 MX 1400mm x 800mm x 400mm Frame
Parts List			

This drawing is confidential and must not be reproduced or used without the consent of EXM

Ce dessin est confidentiel et ne doit pas être reproduit ou utilisé sans le consentement de EXM



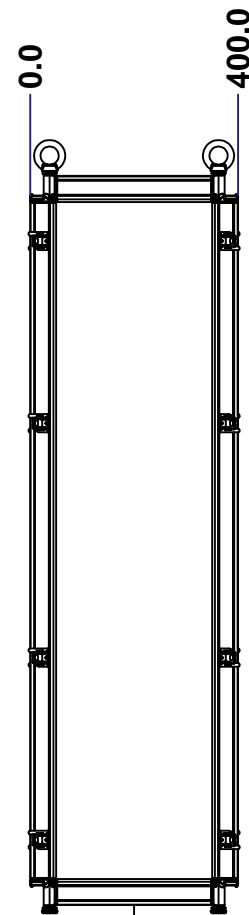
TOP



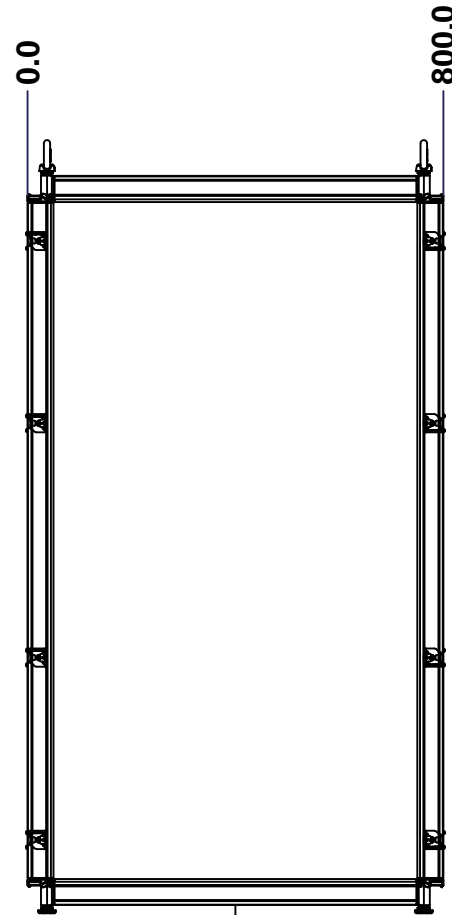
BACK



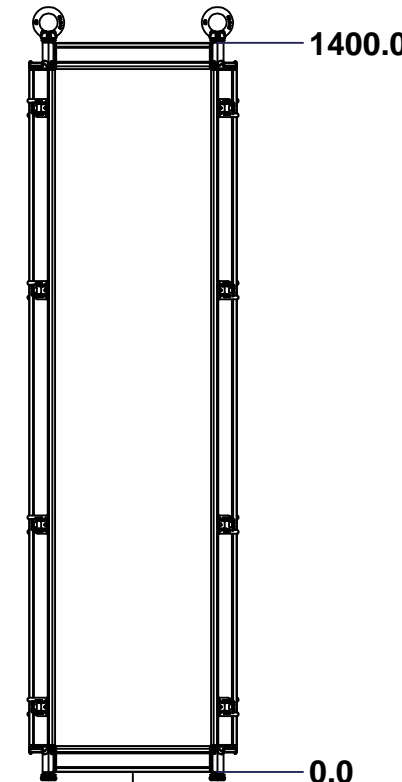
BOTTOM



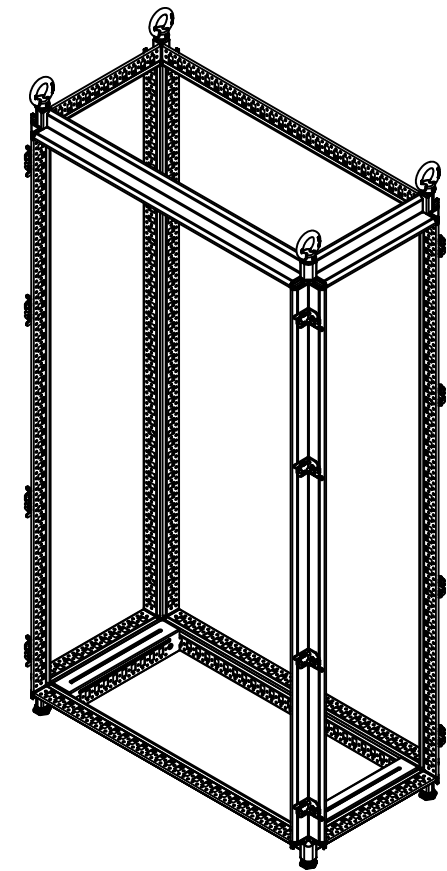
LEFT



FRONT




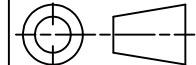
RIGHT



Isometric View



No.	Revisions	Date	By/Par

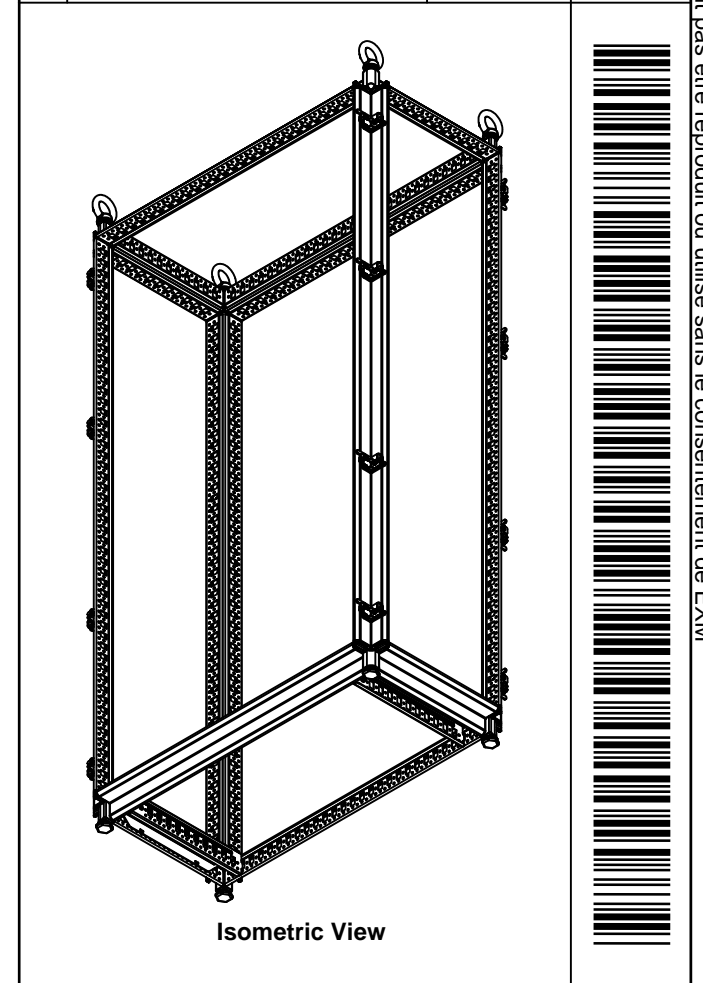
 Tél: (450) 979-4373 Fax: (450) 979-4626 www.exmweb.com		Flatness Aplatissement Max 3.0mm Projection 
Customer Client	Date	
Drawn By Dessiné Par	BoxCad: Annie	Date 29/01/2015
Material Matière	16 Ga Electro-Galvanized (1.4mm)	
Color Couleur	Iron Grey RAL7011	Finish Fin Rough Textured
Description	Detail Rev.	
6500 MX 1400mm x 800mm x 400mm Frame		
Part Number Numéro Pièce	Rev.	
6500MXK140804FR	0	1 2

SEE BILL OF MATERIAL ON LAST PAGE


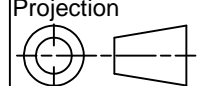
This drawing is confidential and must not be reproduced or used without the consent of EXM

Ce dessin est confidentiel et ne doit pas être reproduit ou utilisé sans le consentement de EXM

No.	Revisions	Date	By/Par

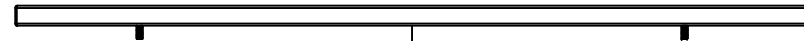


1	STK-P-03810R	0	Powder Paint (Iron Grey / Rough Textured)
1	STK-Q-49050	3	6500 MXM Inner Panel Slider 400mm
1	STK-Q-49050-L	3	6500 MXM Inner Panel Slider 400mm
4	STK-Q-49500	3	M12 Eye Bolt (0.34T)
4	STK-Q-61110	0	M12 Feet Leveler
8	STK-Q-00610	1	M18 x 30.5mm Bolt - Cover
4	STK-Q-47251-14	3	6500 MX 1400mm Vertical Frame Post Part
4	STK-Q-47250-08	3	6500 MX 800mm Horizontal Frame Post Part
4	STK-Q-47250-04	3	6500 MX 400mm Horizontal Frame Post Part
8	STK-Q-49445	2	6500 MX - Frame Corner Bracket Casting
16	STK-K-11001	2	3 Way Fixed Bracket Kit
Qty	Part Number	Rev	Description
Parts List			

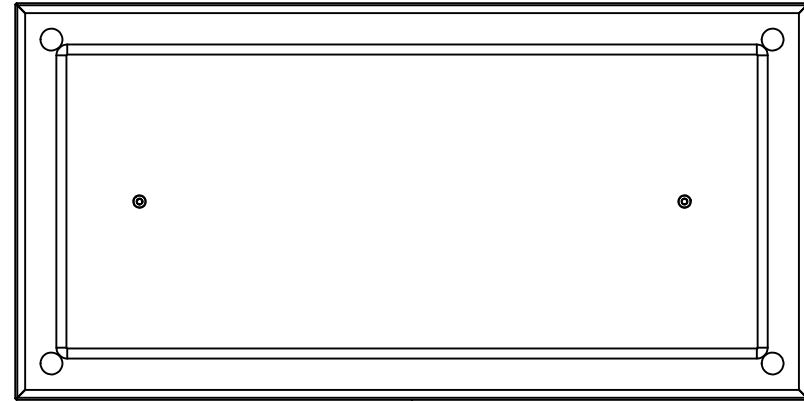
 Tél: (450) 979-4373 Fax: (450) 979-4626 www.exmweb.com		Flatness Aplatissement Max 3.0mm Projection 
Customer Client	Date	Date 29/01/2015
Drawn By Dessiné Par	BoxCad: Annie	
Material Matière	16 Ga Electro-Galvanized (1.4mm)	
Color Couleur	Iron Grey RAL7011	Finish Fini Rough Textured
Description	Detail Rev.	
6500 MX 1400mm x 800mm x 400mm Frame		
Part Number Numéro Pièce	Rev.	2
6500MXK140804FR	0	2

This drawing is confidential and must not be reproduced or used without the consent of EXM

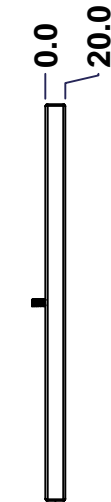
Ce dessin est confidentiel et ne doit pas être reproduit ou utilisé sans le consentement de EXM



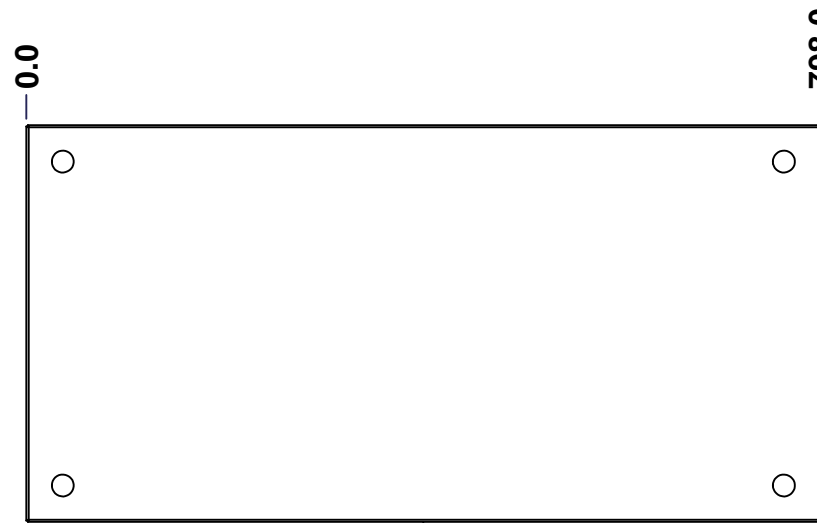
TOP



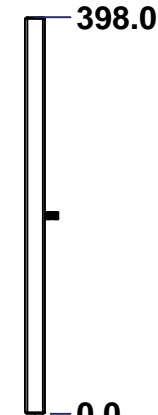
BACK



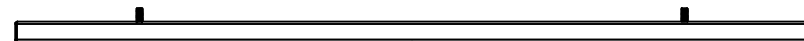
LEFT



FRONT

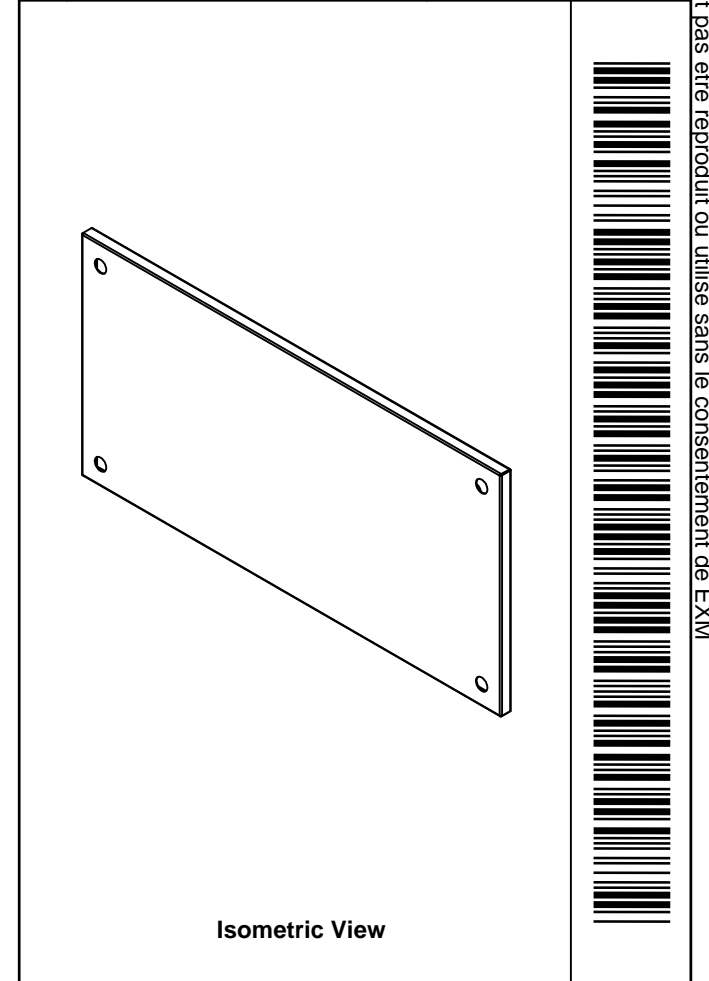


RIGHT



BOTTOM

No.	Revisions	Date	By/Par



Isometric View



Tél: (450) 979-4373
 Fax: (450) 979-4626
www.exmweb.com

Flatness
Aplatissement
Max 3.0mm
Projection

Customer Client	Date
Drawn By / Dessiné Par: BoxCad: Annie	Date: 29/01/2015
Material / Matière: 16 Ga H.R.P. & O. (1.4mm)	
Color / Couleur: Iron Grey RAL7011	Finish / Fini: Rough / Textured
Description: 6500 MXT 800mm x 400mm Top	
Part Number / Numéro Pièce: 6500MXK140804T	Detail Rev. / Rev. 1

SEE BILL OF MATERIAL ON LAST PAGE

Rev. 0	1
3	

This drawing is confidential and must not be reproduced or used without the consent of EXM

Ce dessin est confidentiel et ne doit pas être reproduit ou utilisé sans le consentement de EXM

STANDARD FEATURES ARE NOT LISTED IN THIS HOLE TABLE			
HOLE TABLE - FRONT VIEW (CUSTOM FEATURE ONLY)			
CUT-OUT	XDIM	YDIM	DESCRIPTION
1	125.0	199.0	GND STUD M6 x 16mm (Inside)
2	673.0	199.0	GND STUD M6 x 16mm (Inside)

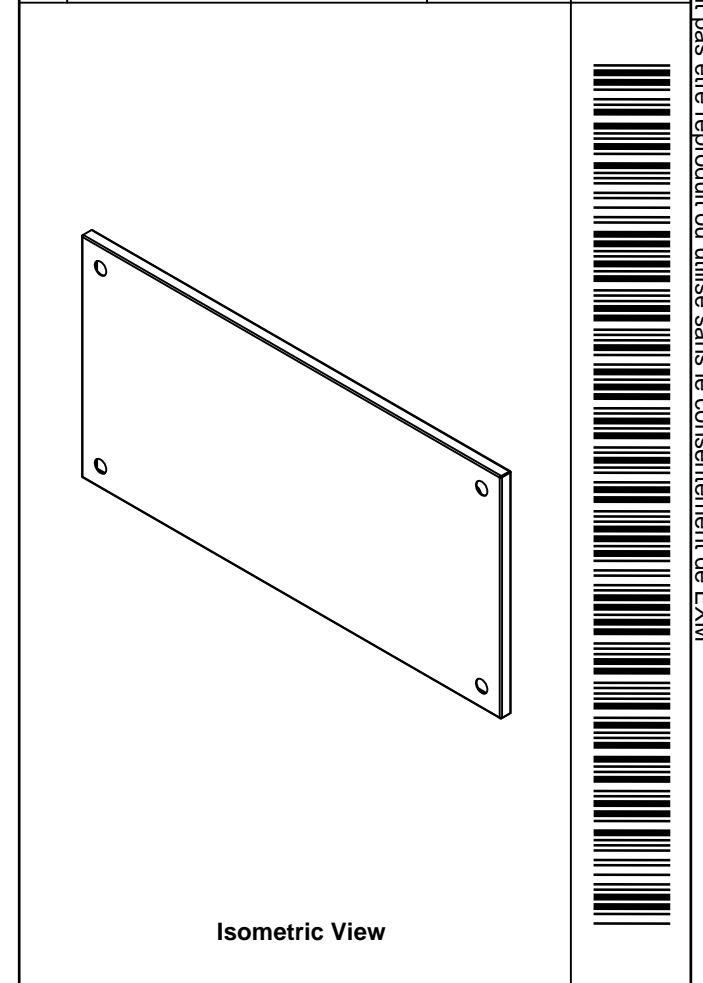



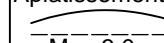
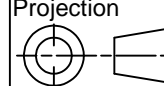
	Description	Status
	6500 MXT 800mm x 400mm Top	(NULL)
	Part Number Numéro Pièce	Rev.
	6500MXK140804T	0
		2
		3

This drawing is confidential and must not be reproduced or used without the consent of EXM

Ce dessin est confidentiel et ne doit pas être reproduit ou utilisé sans le consentement de EXM

No.	Revisions	Date	By/Par

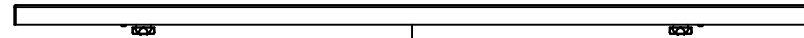


 Tél: (450) 979-4373 Fax: (450) 979-4626 www.exmweb.com		Flatness Aplatissement  Max 3.0mm
Customer Client		Projection 
Drawn By Dessiné Par BoxCad: Annie		Date 29/01/2015
Material Matière 16 Ga H.R.P. & O. (1.4mm)		
Color Couleur Iron Grey RAL7011		Finish Fini Rough Textured
Description 6500 MXT 800mm x 400mm Top		Detail Rev.
Part Number Numéro Pièce 6500MXK140804T		Rev. 3 0

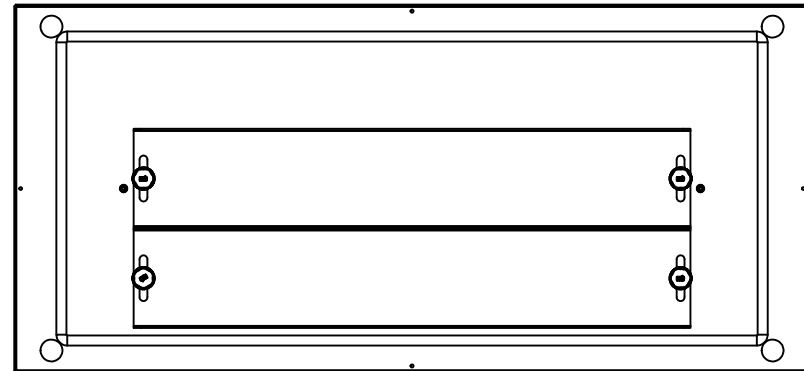
Qty	Part Number	Rev	Description
1	STK-P-03810R	0	Powder Paint (Iron Grey / Rough Textured)
2	STK-Q-16080	0.1.1	M6 x 16mm Ground Stud
1	6500MXK140804TG	0	6500 MXT 800mm x 400mm Top Gasket
1	6500MXK140804T-P	0	6500 MXT 800mm x 400mm Top Part
Parts List			

This drawing is confidential and must not be reproduced or used without the consent of EXM

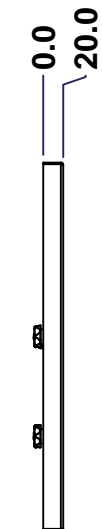
Ce dessin est confidentiel et ne doit pas être reproduit ou utilisé sans le consentement de EXM



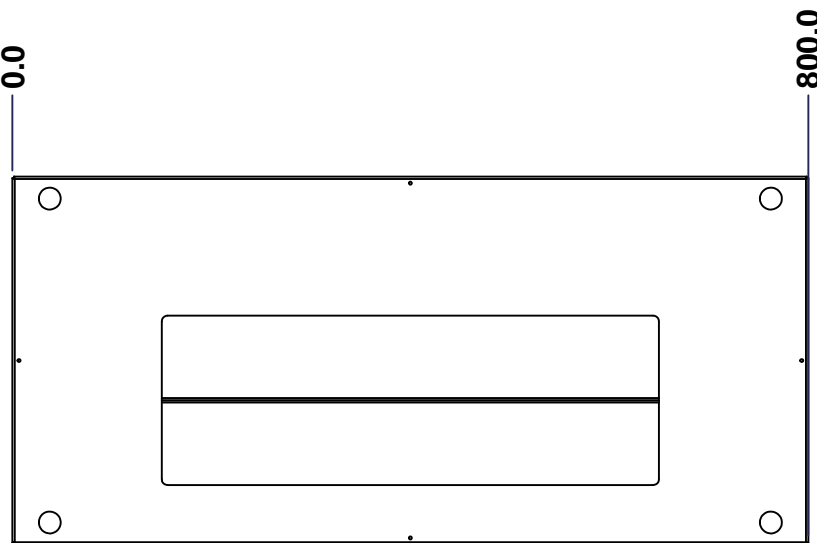
TOP



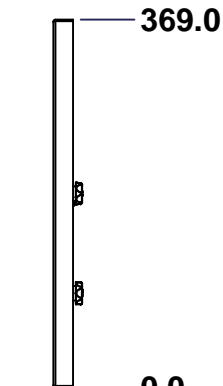
BACK



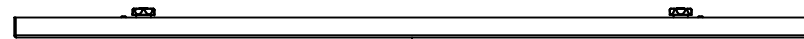
LEFT



FRONT

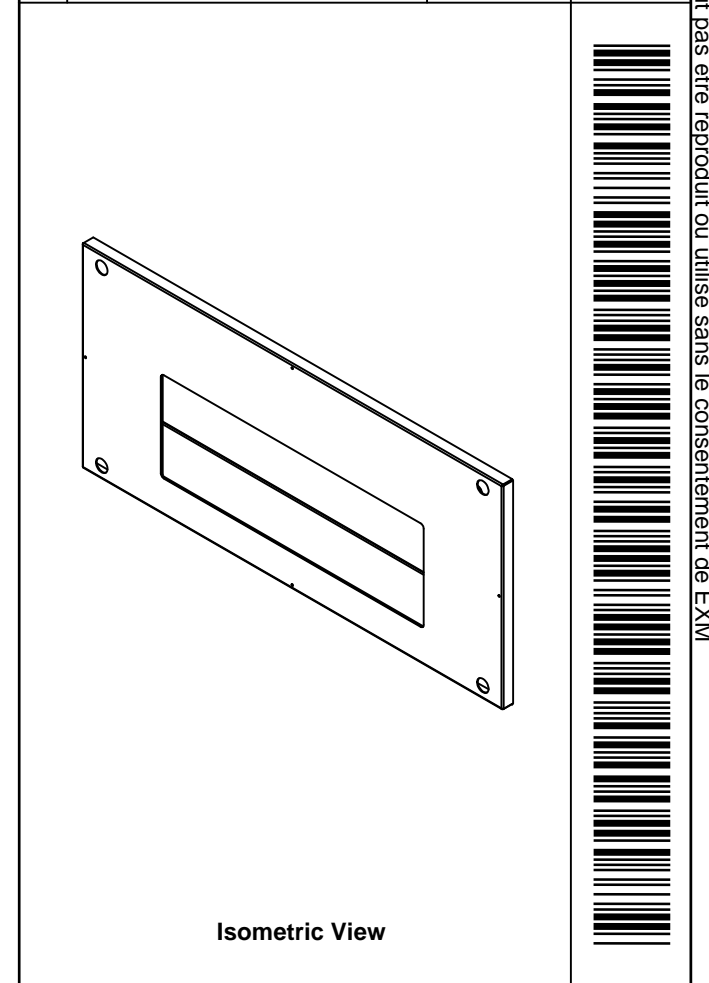


RIGHT


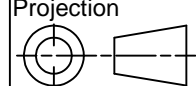


BOTTOM

No.	Revisions	Date	By/Par



Isometric View

 Tél: (450) 979-4373 Fax: (450) 979-4626 www.exmweb.com		Flatness Aplatissement Max 3.0mm Projection 
Customer Client	Date	
Drawn By Dessiné Par	BoxCad: Annie	Date 29/01/2015
Material Matière	16 Ga H.R.P. & O. (1.4mm)	
Color Couleur	Iron Grey RAL7011	Finish Fini Rough Textured
Description	Detail Rev.	
6500 MXB 800mm x 400mm Bottom		
Part Number Numéro Pièce	Rev.	1 3
6500MXK140804BT	0	

SEE BILL OF MATERIAL ON LAST PAGE

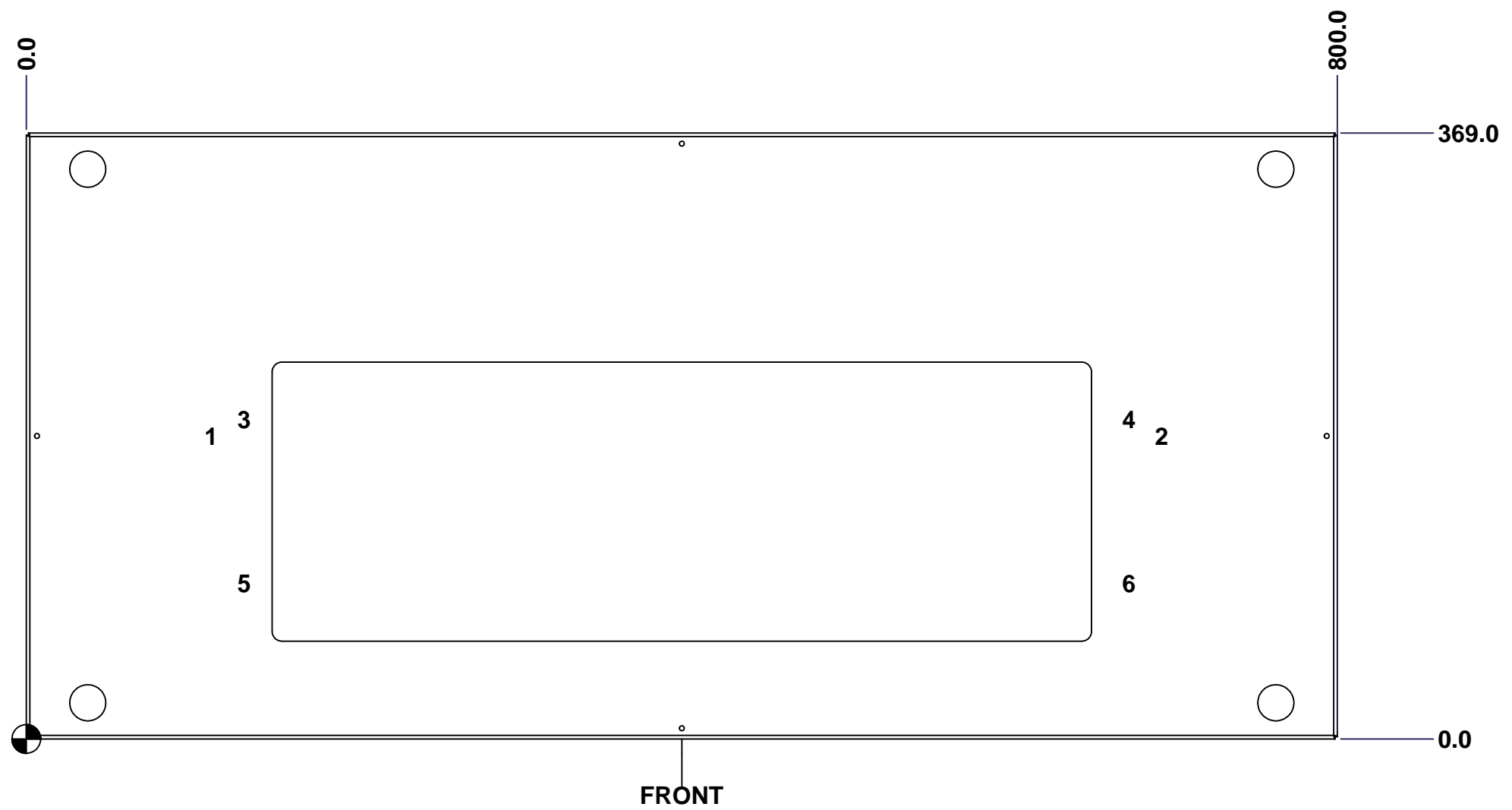
This drawing is confidential and must not be reproduced or used without the consent of EXM

Ce dessin est confidentiel et ne doit pas être reproduit ou utilisé sans le consentement de EXM

STANDARD FEATURES ARE NOT LISTED IN THIS HOLE TABLE

HOLE TABLE - FRONT VIEW (CUSTOM FEATURE ONLY)

CUT-OUT	XDIM	YDIM	DESCRIPTION
1	110.0	184.5	GND STUD M6 x 16mm (Inside)
2	690.0	184.5	GND STUD M6 x 16mm (Inside)
3	130.0	194.5	GP STUD M6 x 10mm (Inside)
4	670.0	194.5	GP STUD M6 x 10mm (Inside)
5	130.0	94.5	GP STUD M6 x 10mm (Inside)
6	670.0	94.5	GP STUD M6 x 10mm (Inside)

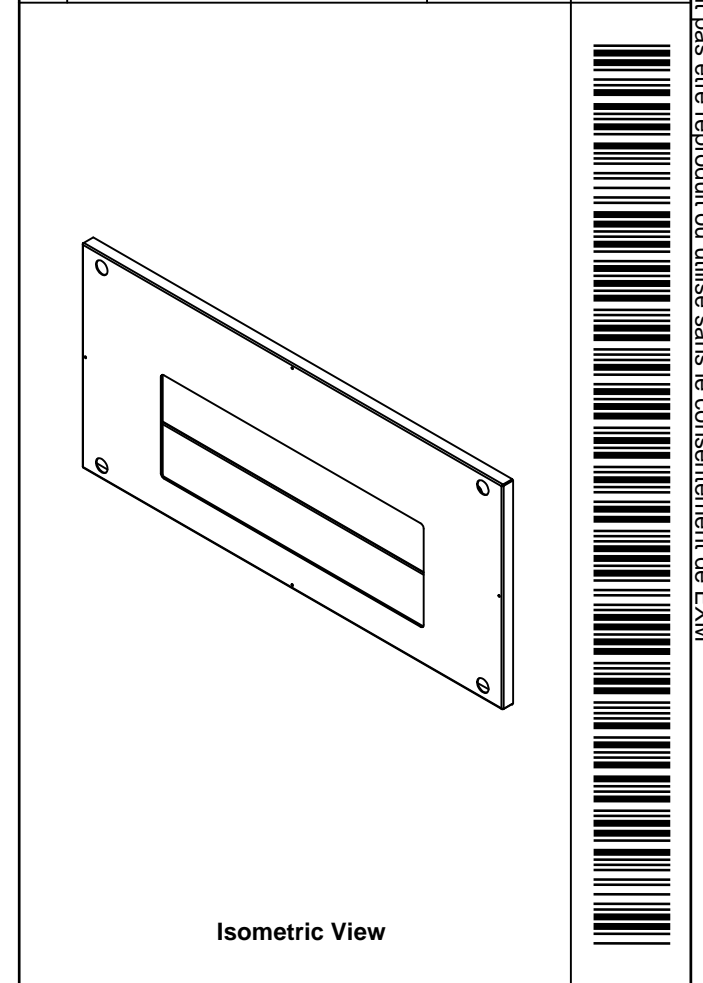


	Description	Status
	6500 MXB 800mm x 400mm Bottom	(NULL)
	Part Number Numéro Pièce	Rev.
	6500MXK140804BT	0
		2
		3

This drawing is confidential and must not be reproduced or used without the consent of EXM

Ce dessin est confidentiel et ne doit pas être reproduit ou utilisé sans le consentement de EXM

No.	Revisions	Date	By/Par

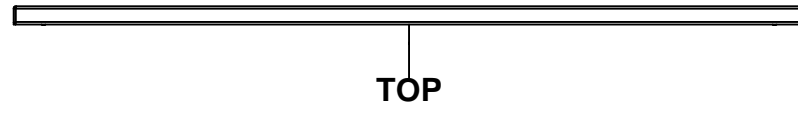


Tél: (450) 979-4373 Fax: (450) 979-4626 www.exmweb.com		Flatness Aplatissement	
		Max 3.0mm Projection	
Customer Client		Date	
Drawn By Dessiné Par BoxCad: Annie		Date 29/01/2015	
Material Matière		16 Ga H.R.P. & O. (1.4mm)	
Color Couleur Iron Grey RAL7011		Finish Fini Rough Textured	
Description 6500 MXB 800mm x 400mm Bottom			Detail Rev.
Part Number Numéro Pièce		Rev.	3
6500MXK140804BT		0	3

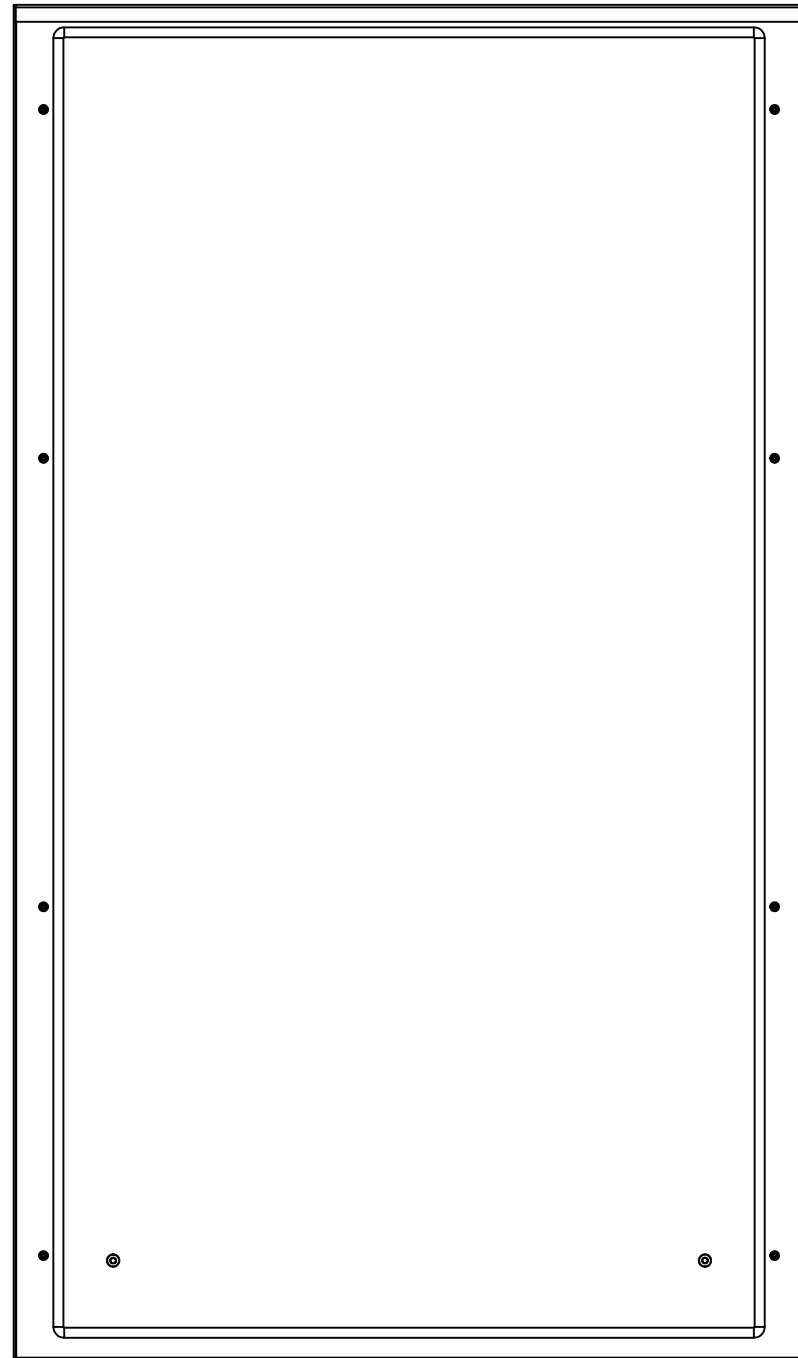
Qty	Part Number	Rev	Description
1	STK-P-03810R	0	Powder Paint (Iron Grey / Rough Textured)
4	STK-Q-06001	0	Mtrx - Gland Plate M6 Plastic Thumb Nut
2	STK-Q-16055	1	M6 x 18mm Stud (No Paint Cap Required)
2	6500MXK140804GP100-P	0	6500 MXB 800mm Gland Plate Part (100mm)
4	STK-Q-16031	0	M6 x 10mm Stud (No Paint Cap Required)
1	6500MXK140804BTGPG	0	6500 MXB 800mm x 400mm Bottom Gland Plate Gasket
1	6500MXK140804BTG	0	6500 MXB 800mm x 400mm Bottom Gasket
1	6500MXK140804BT-P	0	6500 MXB 800mm x 400mm Bottom Part
Parts List			

This drawing is confidential and must not be reproduced or used without the consent of EXM

Ce dessin est confidentiel et ne doit pas être reproduit ou utilisé sans le consentement de EXM



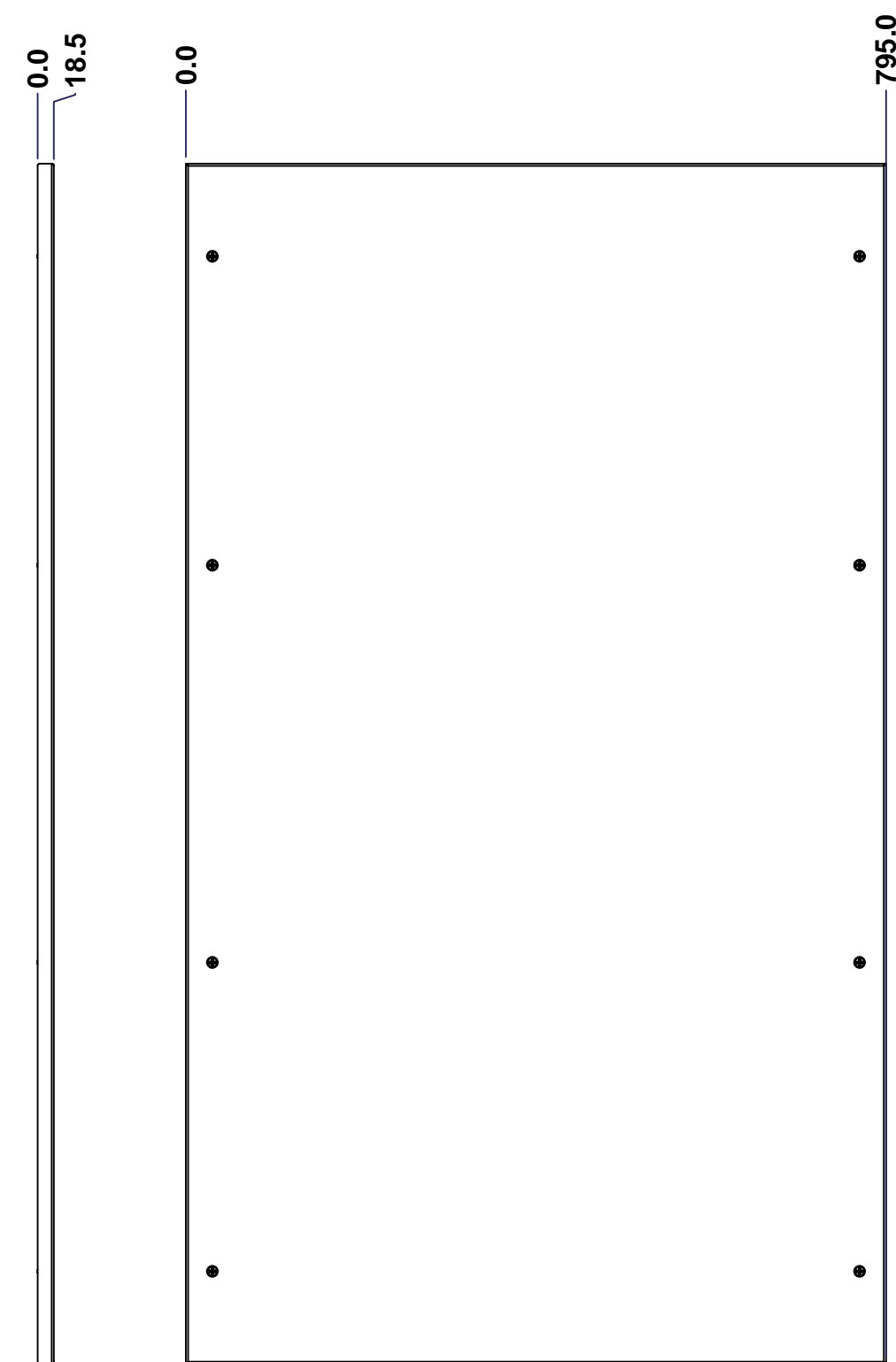
TOP



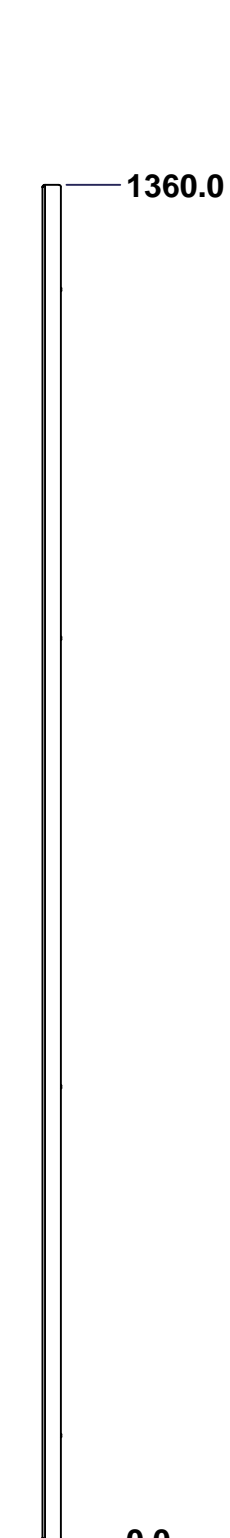
BACK



BOTTOM



FRONT



RIGHT

LEFT

No.	Revisions	Date	By/Par

Isometric View

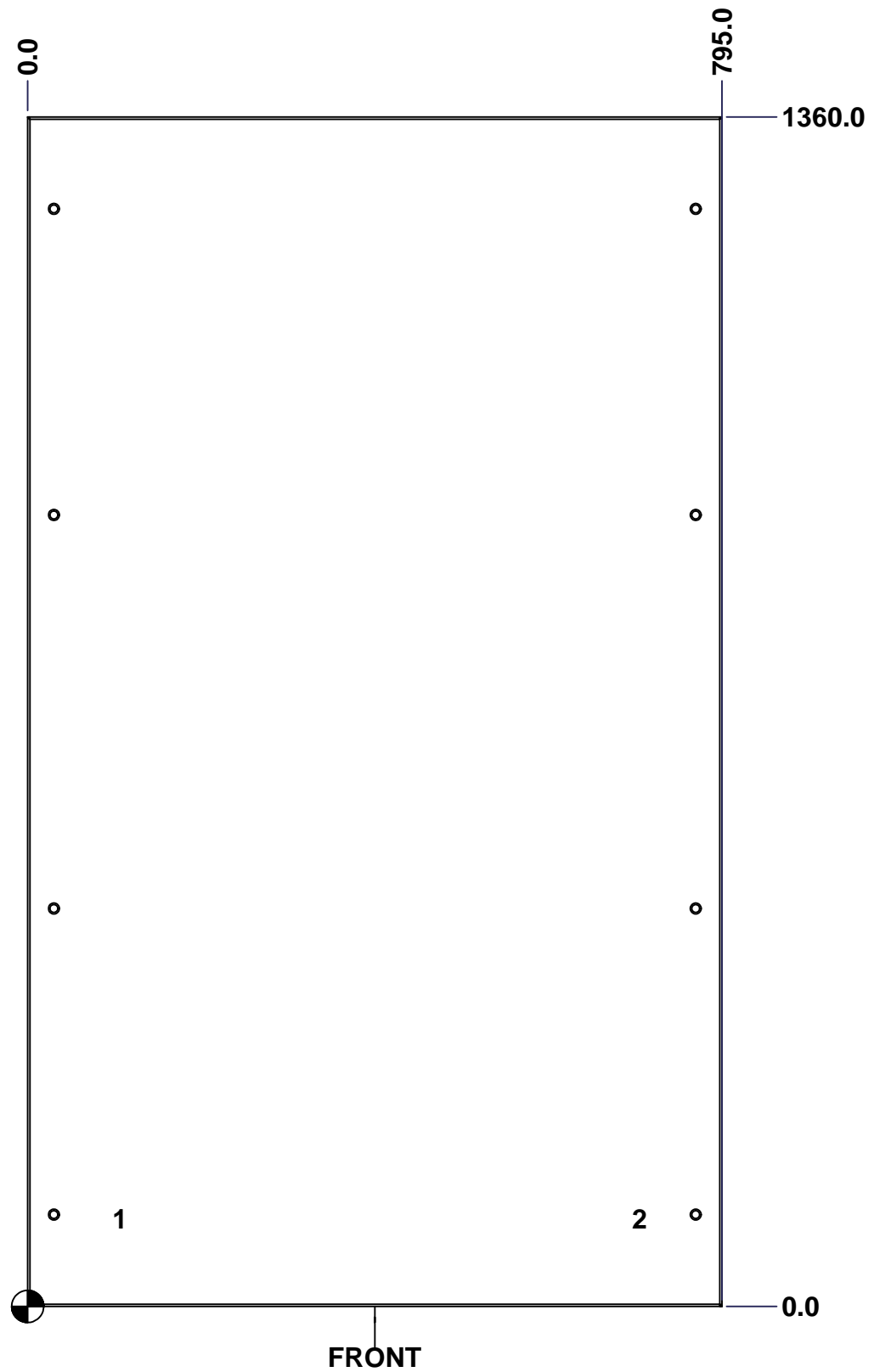
<p>Tél: (450) 979-4373 Fax: (450) 979-4626 www.exmweb.com</p>		Flatness Aplatissement	
		Max 3.0mm	
Customer Client		Projection	
Date			
Drawn By Dessiné Par		Date	
BoxCad: Annie		29/01/2015	
Material Matière		14 Ga H.R.P. & O. (1.7mm)	
Color Couleur		Finish Fini	
Light Grey RAL7035		Rough Textured	
Description		Detail Rev.	
6500 MXR 1400mm x 800mm Back			
Part Number Numéro Pièce		Rev.	
6500MXK140804B		0	1 3

SEE BILL OF MATERIAL ON LAST PAGE

This drawing is confidential and must not be reproduced or used without the consent of EXM

Ce dessin est confidentiel et ne doit pas être reproduit ou utilisé sans le consentement de EXM

STANDARD FEATURES ARE NOT LISTED IN THIS HOLE TABLE			
HOLE TABLE - FRONT VIEW (CUSTOM FEATURE ONLY)			
CUT-OUT	XDIM	YDIM	DESCRIPTION
1	100.0	100.0	GND STUD M6 x 16mm (Inside)
2	695.0	100.0	GND STUD M6 x 16mm (Inside)

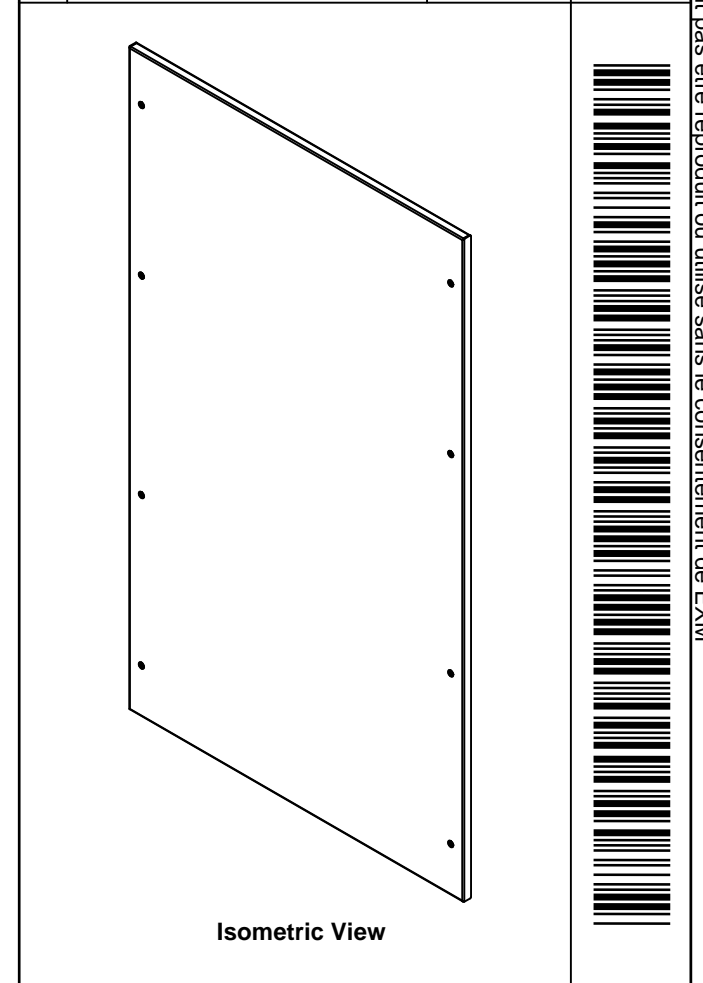


	Description	Status
	6500 MXR 1400mm x 800mm Back	(NULL)
	Part Number Numéro Pièce	Rev.
	6500MXK140804B	0
		2
		3

This drawing is confidential and must not be reproduced or used without the consent of EXM

Ce dessin est confidentiel et ne doit pas être reproduit ou utilisé sans le consentement de EXM

No.	Revisions	Date	By/Par

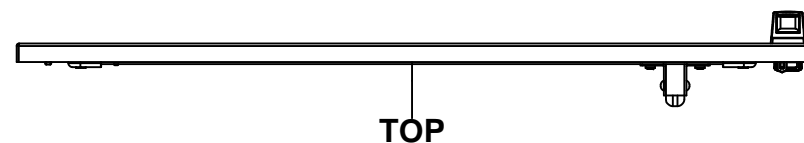


Tél: (450) 979-4373 Fax: (450) 979-4626 www.exmweb.com		Flatness Aplatissement Max 3.0mm Projection
Customer Client	Date	
Drawn By Dessiné Par	BoxCad: Annie	Date 29/01/2015
Material Matière 14 Ga H.R.P. & O. (1.7mm)		
Color Couleur	Light Grey RAL7035	Finish Fini Rough Textured
Description 6500 MXR 1400mm x 800mm Back		Detail Rev.
Part Number Numéro Pièce 6500MXK140804B		Rev. 3 0

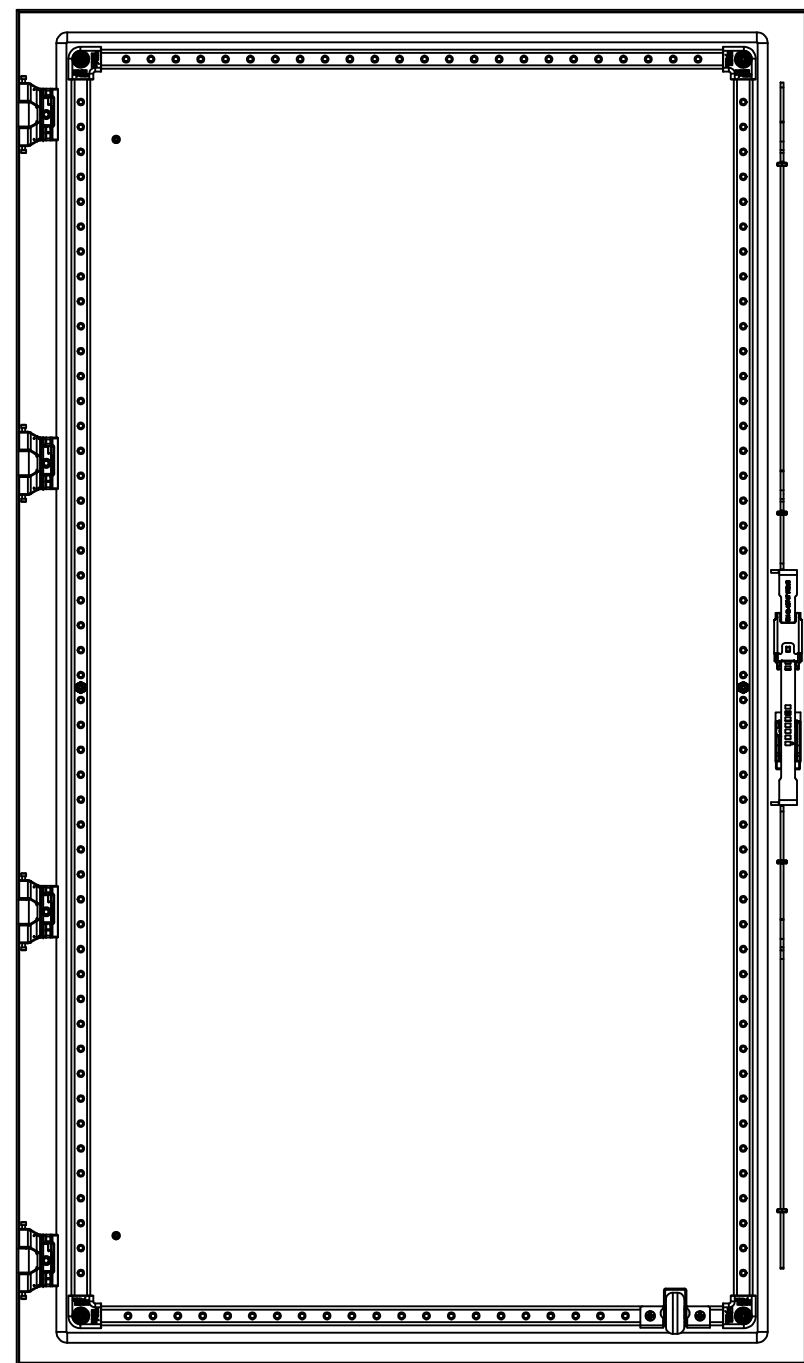
Qty	Part Number	Rev	Description
1	STK-P-03820R	0	Powder Paint (Light Grey / Rough Textured)
8	STK-Q-03072	2	M6 x 17mm Phillips Flat Head Screw
2	STK-Q-16080	0.1.1	M6 x 16mm Ground Stud
1	6500MXK140804BG	0	6500 MXR 1400mm x 800mm Back Gasket
1	6500MXK140804B-P	0	6500 MXR 1400mm x 800mm Back Part
Parts List			

This drawing is confidential and must not be reproduced or used without the consent of EXM

Ce dessin est confidentiel et ne doit pas être reproduit ou utilisé sans le consentement de EXM



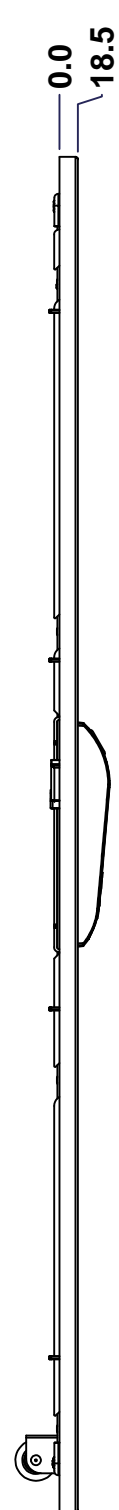
TOP



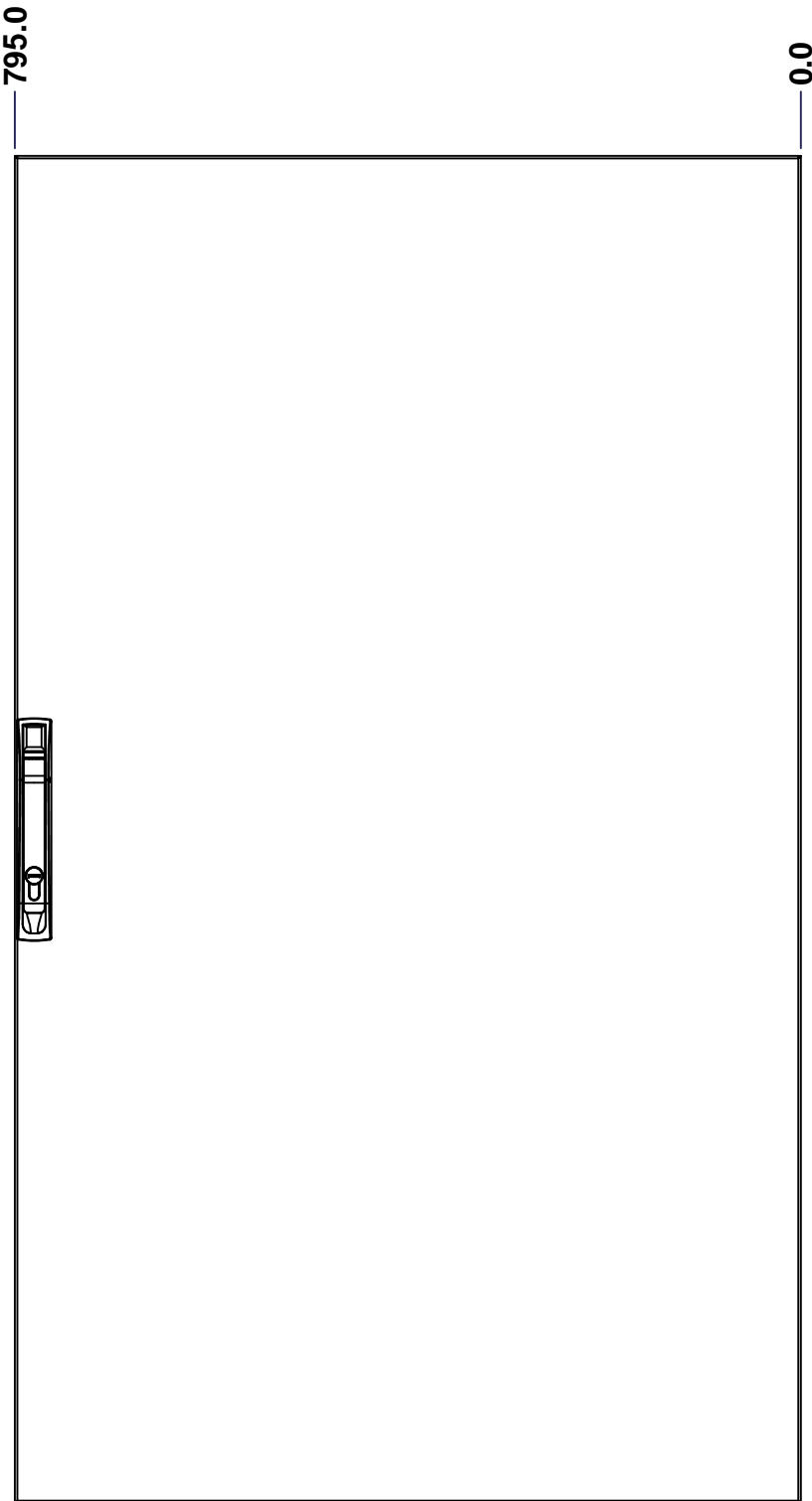
BACK



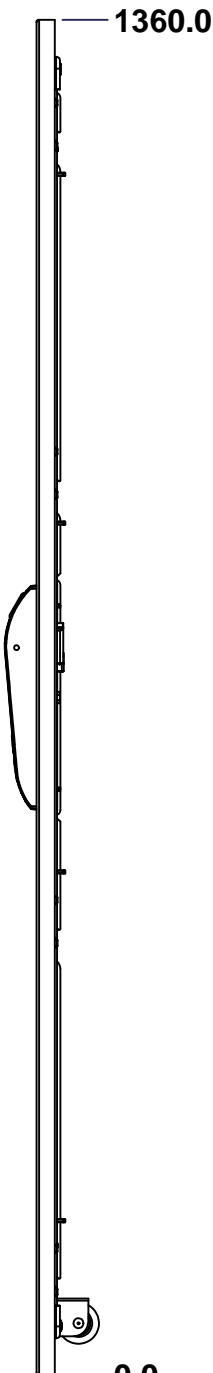
BOTTOM



LEFT

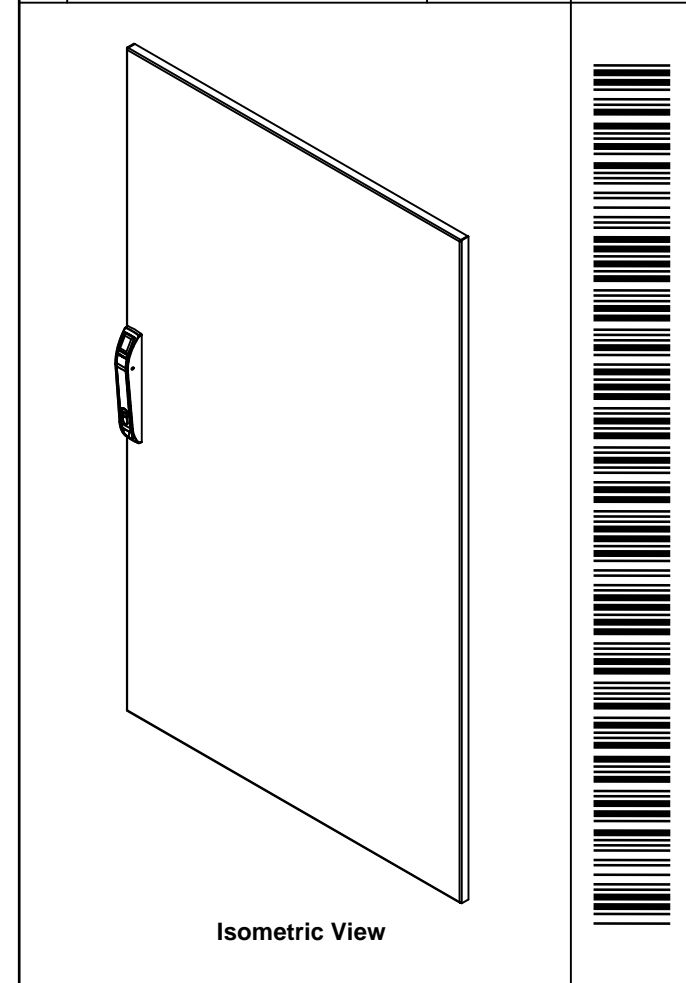


FRONT


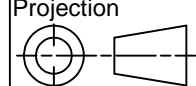


RIGHT

No.	Revisions	Date	By/Par



Isometric View

 Tél: (450) 979-4373 Fax: (450) 979-4626 www.exmweb.com		Flatness Aplatissement Max 3.0mm Projection 	
Customer Client		Date	
Drawn By Dessiné Par BoxCad: Annie		Date 29/01/2015	
Material Matière 14 Ga H.R.P. & O. (1.7mm)		Color Couleur Light Grey RAL7035	
Description 6500 MXD 1400mm x 800mm Front		Finish Fini Rough Textured	
Part Number Numéro Pièce 6500MXK140804F		Detail Rev.	
SEE BILL OF MATERIAL ON LAST PAGE		Rev. 0	1 / 3

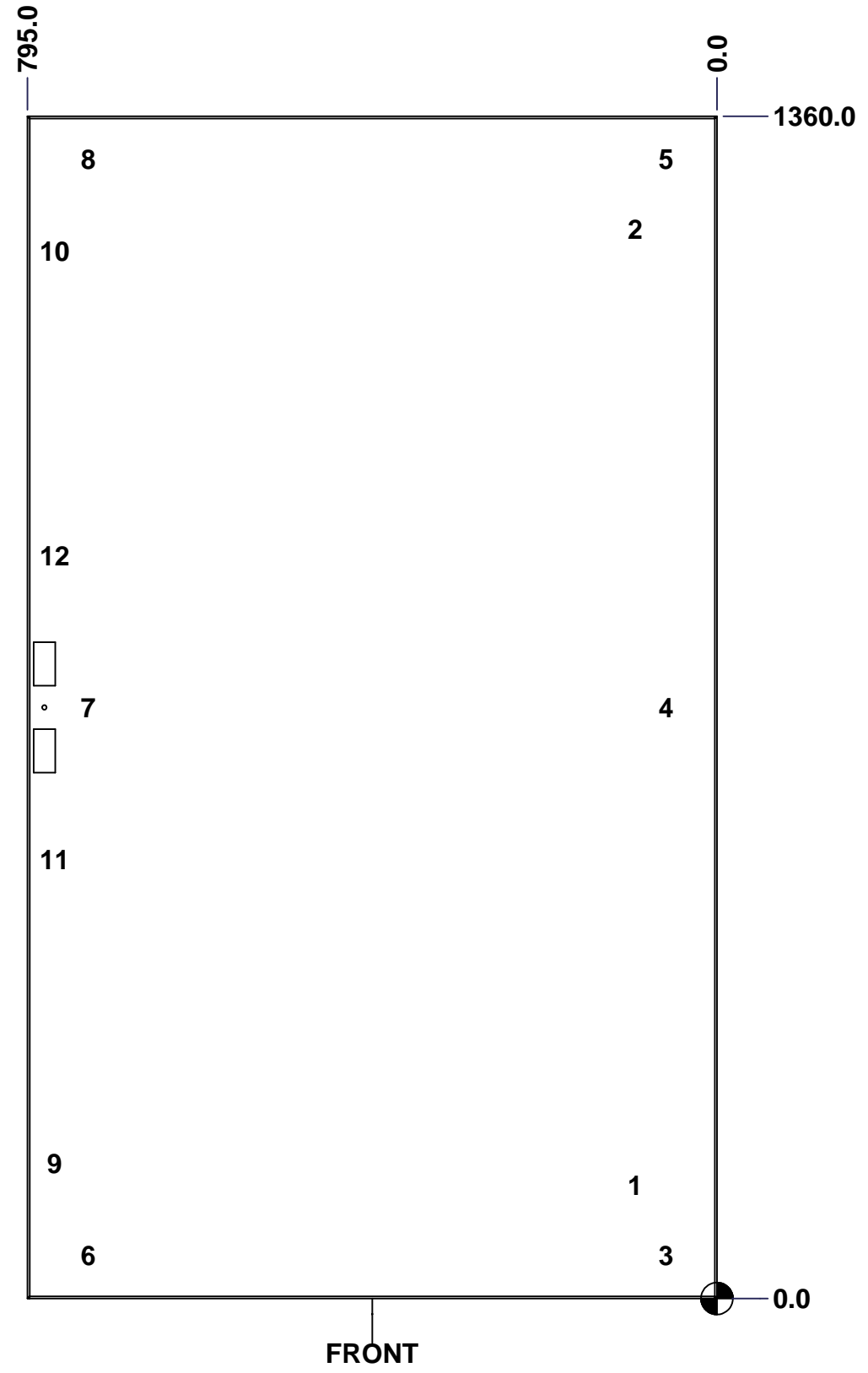
This drawing is confidential and must not be reproduced or used without the consent of EXM

Ce dessin est confidentiel et ne doit pas être reproduit ou utilisé sans le consentement de EXM

STANDARD FEATURES ARE NOT LISTED IN THIS HOLE TABLE

HOLE TABLE - FRONT VIEW (CUSTOM FEATURE ONLY)

CUT-OUT	XDIM	YDIM	DESCRIPTION
1	100.0	130.0	GND STUD M6 x 16mm (Inside)
2	100.0	1230.0	GND STUD M6 x 16mm (Inside)
3	64.5	49.5	STIFF. STUD M6 x 18mm (Inside)
4	64.5	680.0	STIFF. STUD M6 x 18mm (Inside)
5	64.5	1310.5	STIFF. STUD M6 x 18mm (Inside)
6	730.5	49.5	STIFF. STUD M6 x 18mm (Inside)
7	730.5	680.0	STIFF. STUD M6 x 18mm (Inside)
8	730.5	1310.5	STIFF. STUD M6 x 18mm (Inside)
9	769.5	155.0	CLOSING BAR GUIDE (Inside)
10	769.5	1205.0	CLOSING BAR GUIDE (Inside)
11	769.5	505.0	CLOSING BAR GUIDE (Inside)
12	769.5	855.0	CLOSING BAR GUIDE (Inside)

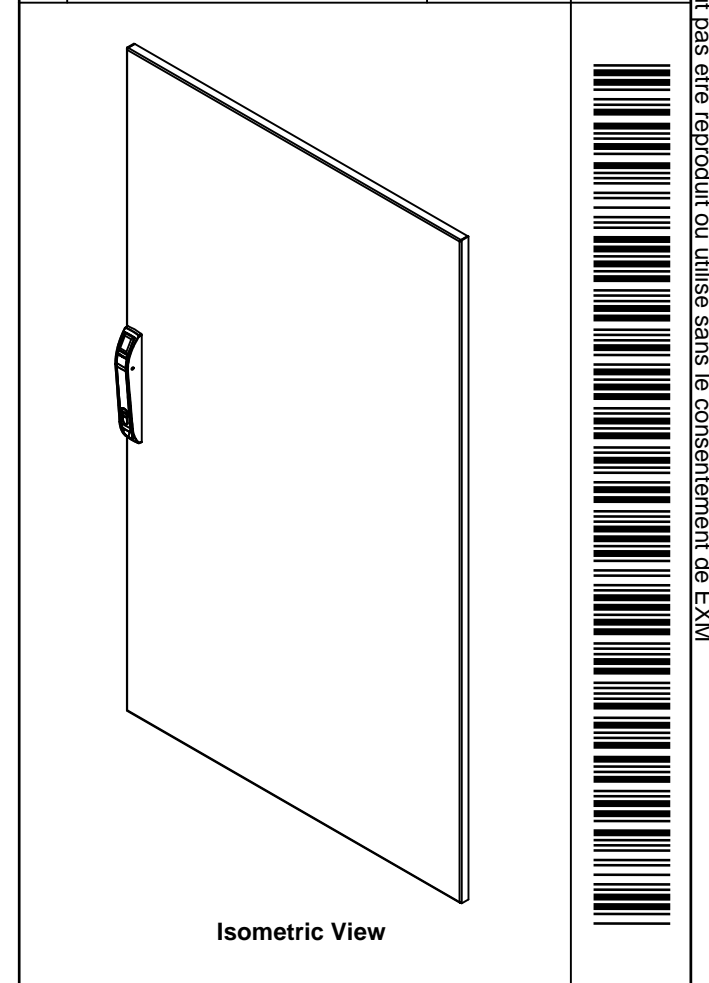


	Description	Status
	6500 MXD 1400mm x 800mm Front	(NULL)
	Part Number Numéro Pièce	Rev.
	6500MXK140804F	0
		2
		3


This drawing is confidential and must not be reproduced or used without the consent of EXM

Ce dessin est confidentiel et ne doit pas être reproduit ou utilisé sans le consentement de EXM

No.	Revisions	Date	By/Par

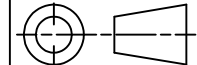


1	STK-P-03820R	0	Powder Paint (Light Grey / Rough Textured)
1	6500MXSRK	1	6500 MXRSK Door Support Roller
4	STK-Q-78022	0	Mtrx Closing Bar Slider
1	STK-Q-45746-14	1	6500 MXD - Lock Door Closing Bar
4	STK-Q-33105	4	5412 ESBU Buttable Hinge (Cover Part)
1	STK-Q-45729-14	2	6500 MXD - Lock Door Top Closing Bar
1	886PHD-S	4	Euroform Pull Handle Kit
8	STK-Q-16055	1	M6 x 18mm Stud (No Paint Cap Required)
1	6500MXK140804DS1	5	6500 MX 1400mm x 800mm Door Stiffener
1	6500MXK140804FG	0	6500 MXD 1400mm x 800mm Front Gasket
1	6500MXK140804F-P	0	6500 MXD 1400mm x 800mm Front Part
4	STK-K-06811	1	6500 MX - Hinge Assy
Qty	Part Number	Rev	Description
Parts List			



Tél: (450) 979-4373
Fax: (450) 979-4626
www.exmweb.com

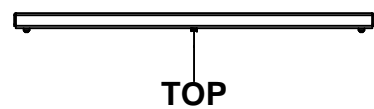
Flatness
Aplatissement
Max 3.0mm

Projection


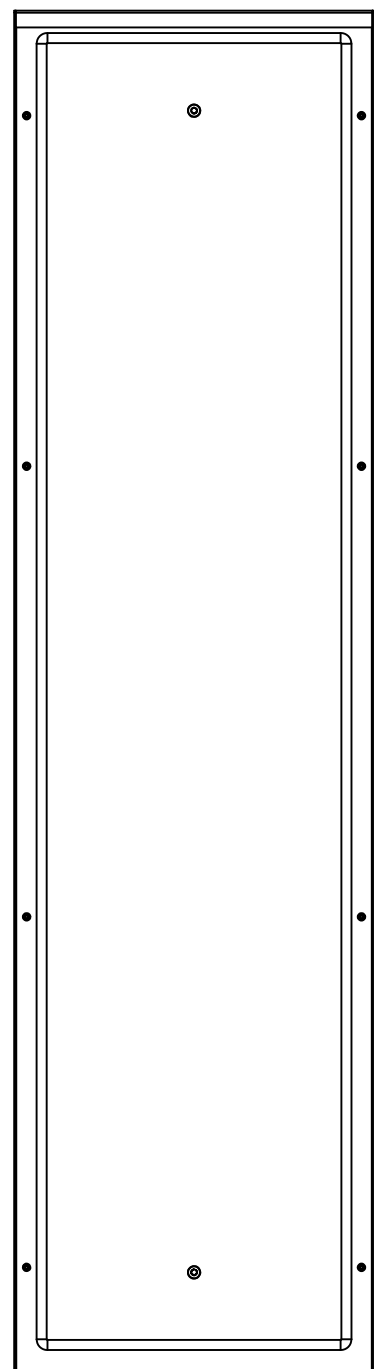
Customer Client		Date
Drawn By / Dessiné Par: BoxCad: Annie		Date: 29/01/2015
Material / Matière: 14 Ga H.R.P. & O. (1.7mm)		
Color / Couleur: Light Grey RAL7035	Finish / Fini: Rough Textured	
Description: 6500 MXD 1400mm x 800mm Front		Detail Rev.
Part Number / Numéro Pièce: 6500MXK140804F		Rev. 3
		0
		3

This drawing is confidential and must not be reproduced or used without the consent of EXM

Ce dessin est confidentiel et ne doit pas être reproduit ou utilisé sans le consentement de EXM



TOP

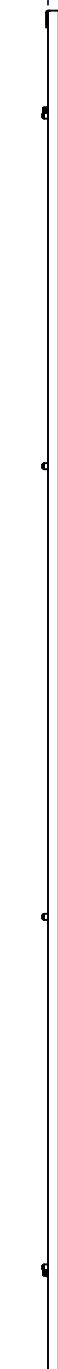


BACK



BOTTOM

0.0
13.0



LEFT

0.0
360.0



FRONT

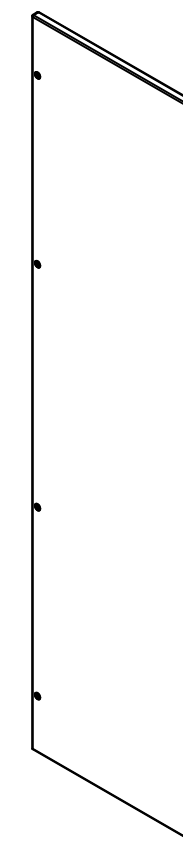
1360.0



RIGHT

0.0

No.	Revisions	Date	By/Par



Isometric View



Tél: (450) 979-4373
Fax: (450) 979-4626
www.exmweb.com

Flatness
Aplatissement

Max 3.0mm

Projection



Customer Client	Date
Drawn By / Dessiné Par: BoxCad: Annie	Date: 29/01/2015
Material / Matière: 16 Ga H.R.P. & O. (1.4mm)	

Color / Couleur: Light Grey RAL7035	Finish / Fini: Rough / Textured
-------------------------------------	---------------------------------

Description: 6500 MXC 1400mm x 400mm Left	Detail Rev.
---	-------------

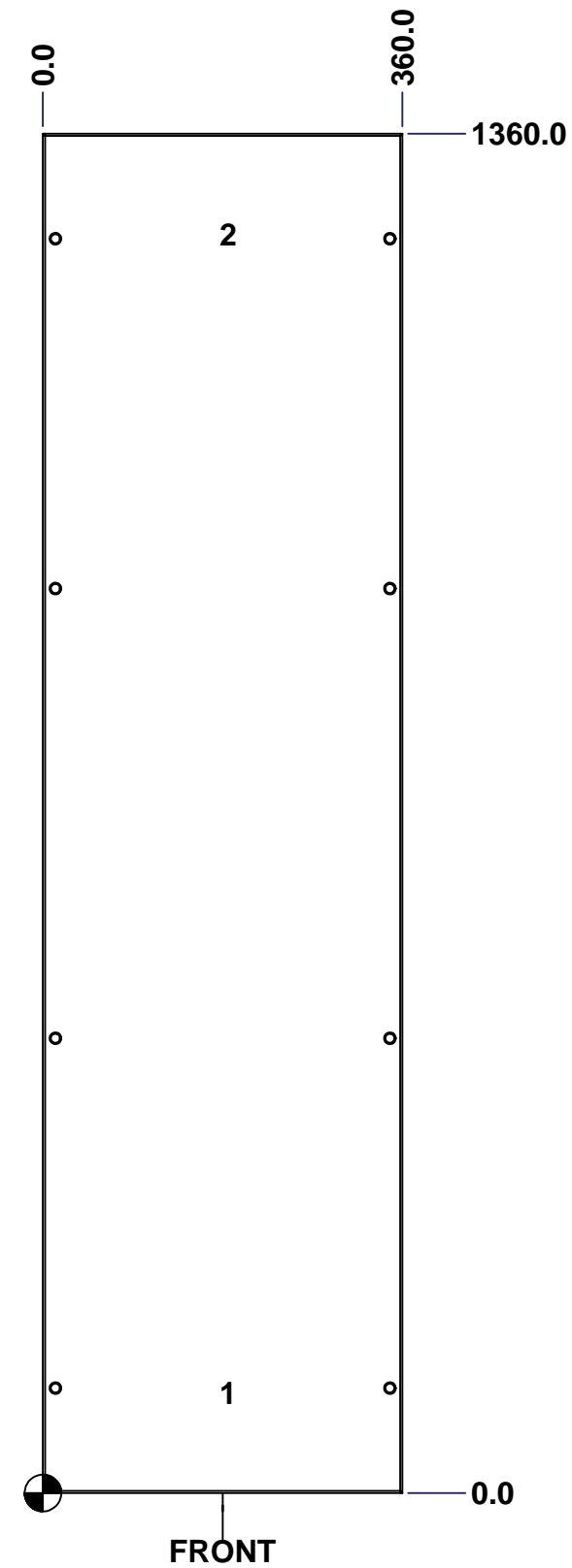
Part Number / Numéro Pièce: 6500MXK140804L	Rev. 0	1 / 3
---	--------	-------

SEE BILL OF MATERIAL ON LAST PAGE

This drawing is confidential and must not be reproduced or used without the consent of EXM

Ce dessin est confidentiel et ne doit pas être reproduit ou utilisé sans le consentement de EXM

STANDARD FEATURES ARE NOT LISTED IN THIS HOLE TABLE			
HOLE TABLE - FRONT VIEW (CUSTOM FEATURE ONLY)			
CUT-OUT	XDIM	YDIM	DESCRIPTION
1	180.0	100.0	GND STUD M6 x 16mm (Inside)
2	180.0	1260.0	GND STUD M6 x 16mm (Inside)

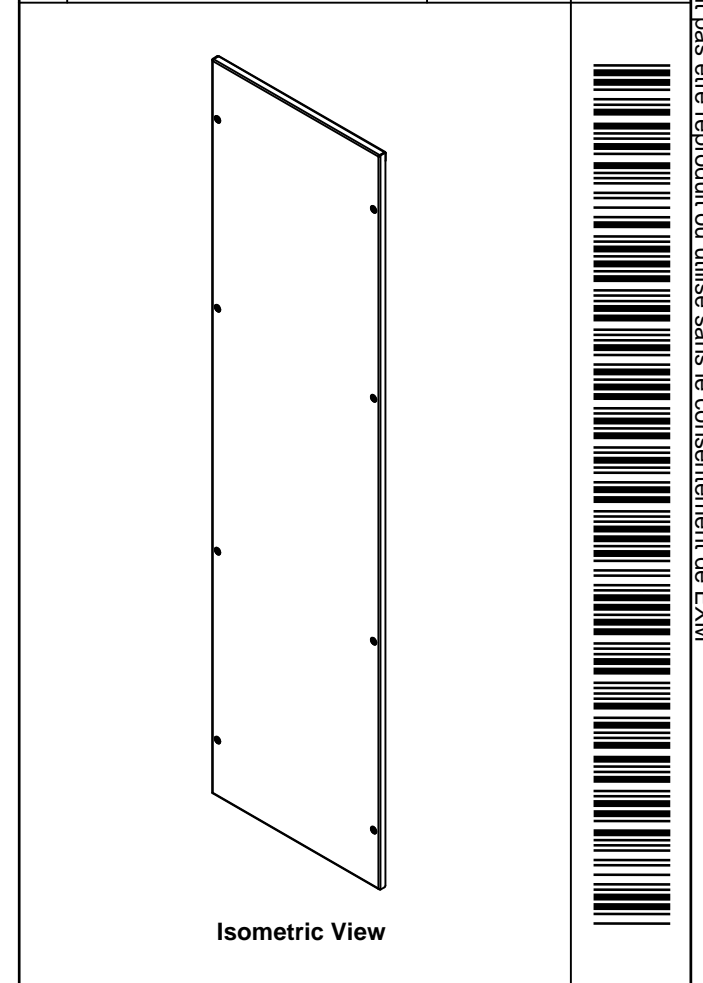


	Description		Status
	6500 MXC 1400mm x 400mm Left		(NULL)
Part Number Numéro Pièce		Rev.	
6500MXK140804L		0	2 3

This drawing is confidential and must not be reproduced or used without the consent of EXM

Ce dessin est confidentiel et ne doit pas être reproduit ou utilisé sans le consentement de EXM

No.	Revisions	Date	By/Par

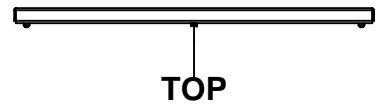


Tél: (450) 979-4373 Fax: (450) 979-4626 www.exmweb.com		Flatness Aplatissement	
		Max 3.0mm Projection	
Customer Client		Date	
Drawn By Dessiné Par BoxCad: Annie		Date 29/01/2015	
Material Matière 16 Ga H.R.P. & O. (1.4mm)			
Color Couleur Light Grey RAL7035		Finish Fini Rough Textured	
Description 6500 MXC 1400mm x 400mm Left			Detail Rev.
Part Number Numéro Pièce 6500MXK140804L			Rev. 3

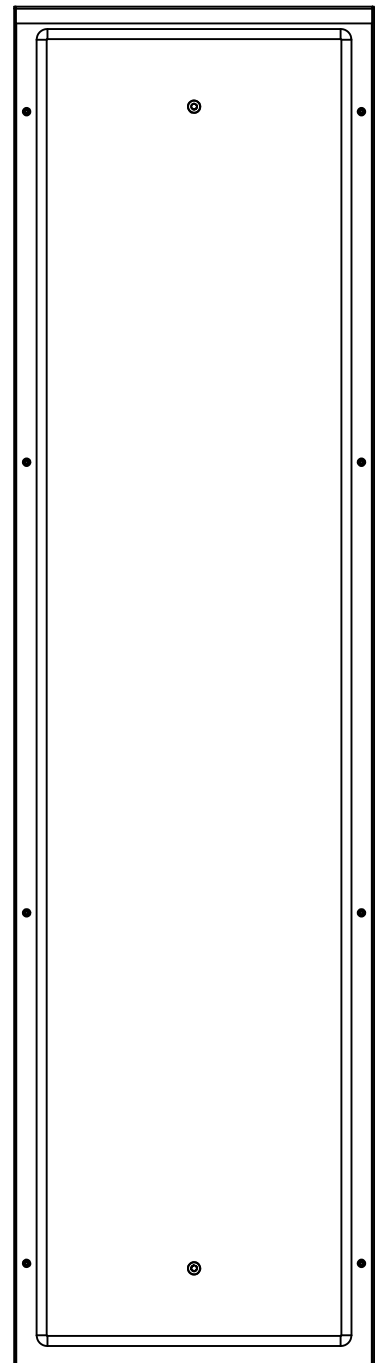
Qty	Part Number	Rev	Description
1	STK-P-03820R	0	Powder Paint (Light Grey / Rough Textured)
8	STK-Q-03072	2	M6 x 17mm Phillips Flat Head Screw
2	STK-Q-16080	0.1.1	M6 x 16mm Ground Stud
1	6500MXK140804LG	0	6500 MXC 1400mm x 400mm Left Gasket
1	6500MXK140804L-P	0	6500 MXC 1400mm x 400mm Left Part
Parts List			

This drawing is confidential and must not be reproduced or used without the consent of EXM

Ce dessin est confidentiel et ne doit pas être reproduit ou utilisé sans le consentement de EXM



TOP

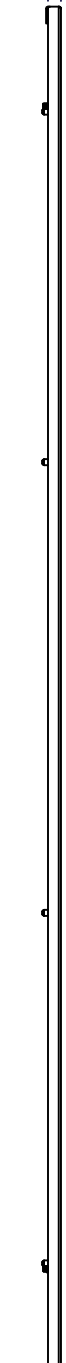


BACK



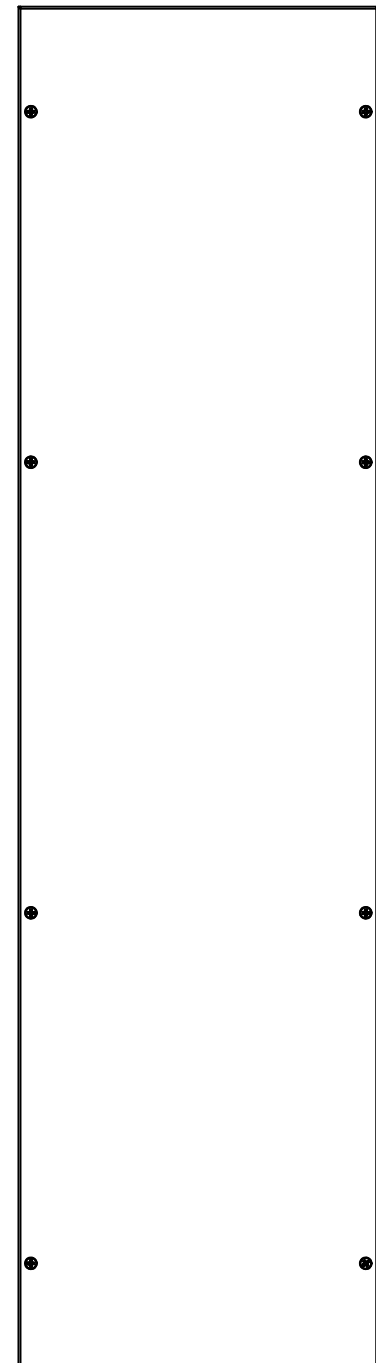
BOTTOM

0.0
13.0



LEFT

360.0



FRONT

0.0

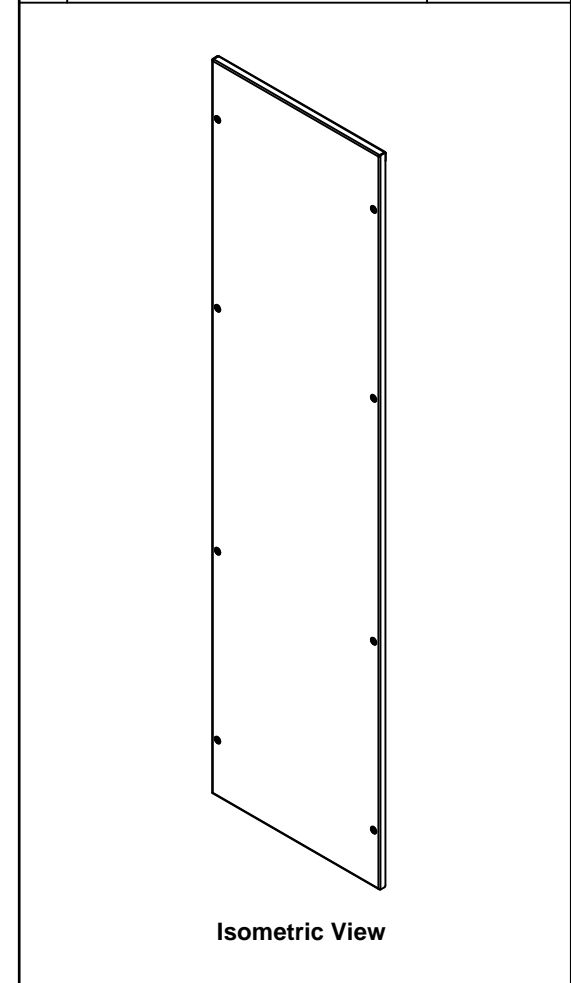
1360.0



RIGHT


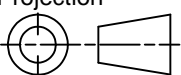
0.0

No.	Revisions	Date	By/Par



Isometric View

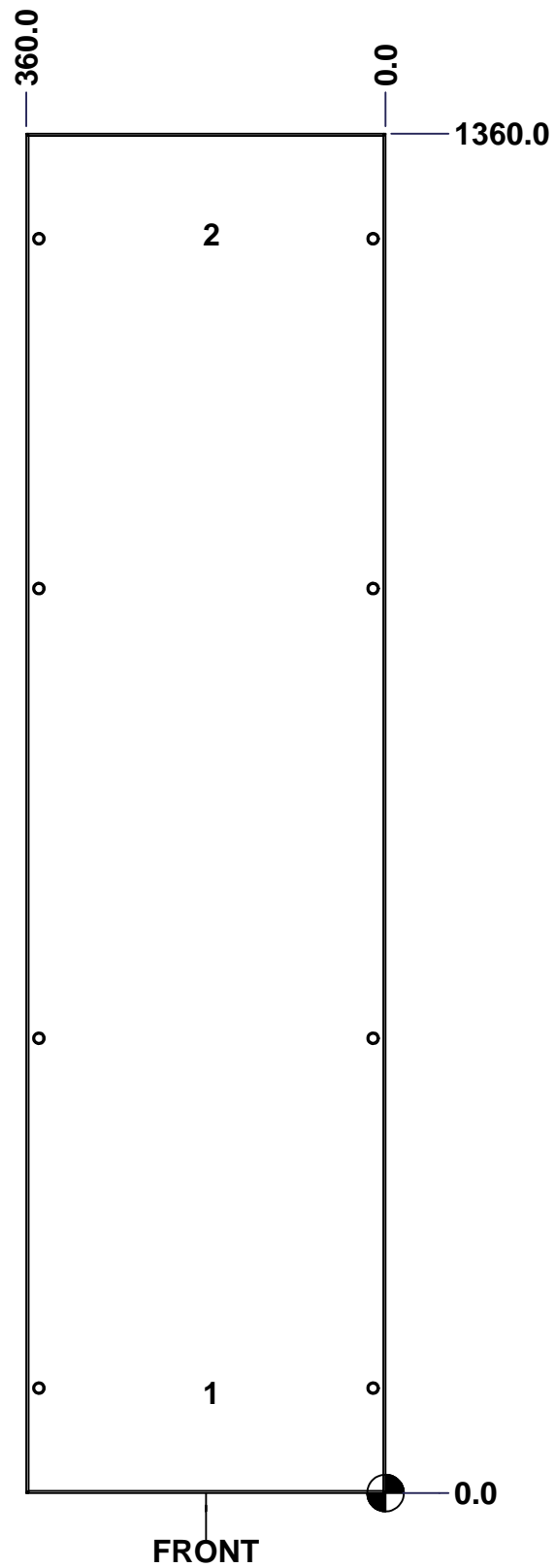


 Tél: (450) 979-4373 Fax: (450) 979-4626 www.exmweb.com		Flatness Aplatissement Max 3.0mm Projection 	
Customer Client		Date	
Drawn By / Dessiné Par: BoxCad: Annie		Date: 29/01/2015	
Material / Matière: 16 Ga H.R.P. & O. (1.4mm)		Finish / Fini: Rough / Textured	
Color / Couleur: Light Grey RAL7035		Description: 6500 MXC 1400mm x 400mm Right	
Part Number / Numéro Pièce: 6500MXK140804R		Detail Rev. / Rev. 1	
SEE BILL OF MATERIAL ON LAST PAGE		3	

This drawing is confidential and must not be reproduced or used without the consent of EXM

Ce dessin est confidentiel et ne doit pas être reproduit ou utilisé sans le consentement de EXM

STANDARD FEATURES ARE NOT LISTED IN THIS HOLE TABLE			
HOLE TABLE - FRONT VIEW (CUSTOM FEATURE ONLY)			
CUT-OUT	XDIM	YDIM	DESCRIPTION
1	180.0	100.0	GND STUD M6 x 16mm (Inside)
2	180.0	1260.0	GND STUD M6 x 16mm (Inside)

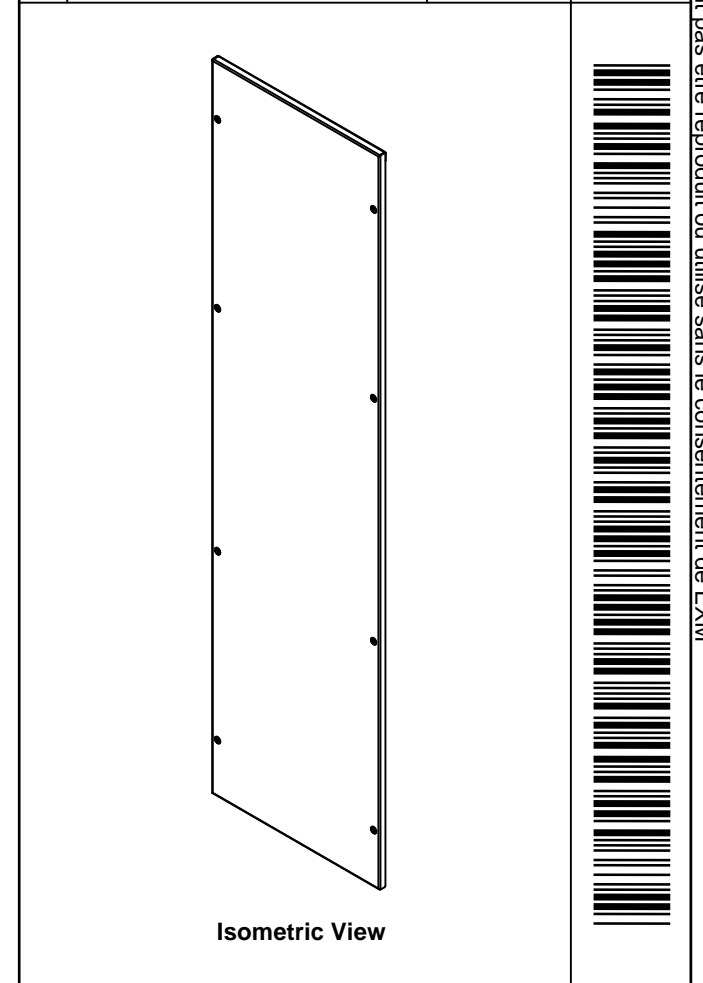


	Description	Status
	6500 MXC 1400mm x 400mm Right	(NULL)
	Part Number Numéro Pièce	Rev.
	6500MXK140804R	0
		2
		3

This drawing is confidential and must not be reproduced or used without the consent of EXM

Ce dessin est confidentiel et ne doit pas être reproduit ou utilisé sans le consentement de EXM

No.	Revisions	Date	By/Par

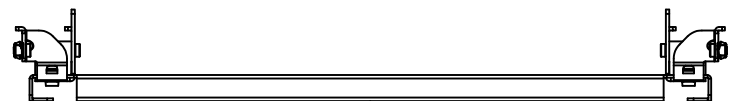


Tél: (450) 979-4373 Fax: (450) 979-4626 www.exmweb.com		Flatness Aplatissement
		Max 3.0mm
Projection		Date 29/01/2015
Customer Client		Date 29/01/2015
Drawn By Dessiné Par BoxCad: Annie		Date 29/01/2015
Material Matière 16 Ga H.R.P. & O. (1.4mm)		
Color Couleur Light Grey RAL7035		Finish Fini Rough Textured
Description 6500 MXC 1400mm x 400mm Right		Detail Rev.
Part Number Numéro Pièce 6500MXK140804R		Rev. 3 0

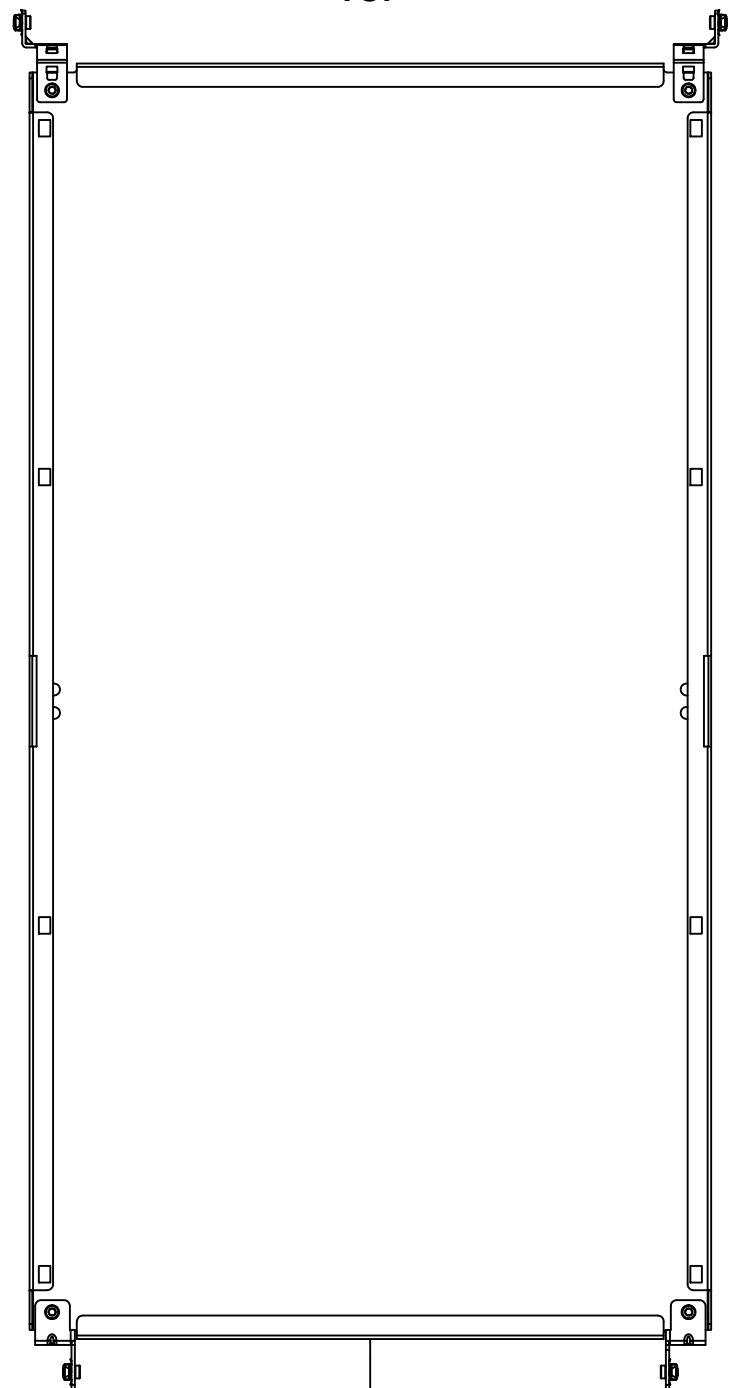
Qty	Part Number	Rev	Description
1	STK-P-03820R	0	Powder Paint (Light Grey / Rough Textured)
8	STK-Q-03072	2	M6 x 17mm Phillips Flat Head Screw
2	STK-Q-16080	0.1.1	M6 x 16mm Ground Stud
1	6500MXK140804RG	0	6500 MXC 1400mm x 400mm Right Gasket
1	6500MXK140804R-P	0	6500 MXC 1400mm x 400mm Right Part
Parts List			

This drawing is confidential and must not be reproduced or used without the consent of EXM

Ce dessin est confidentiel et ne doit pas être reproduit ou utilisé sans le consentement de EXM



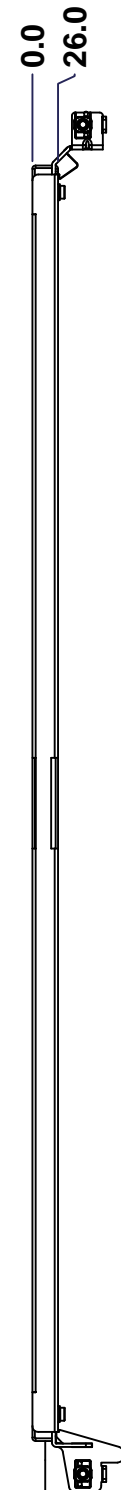
TOP



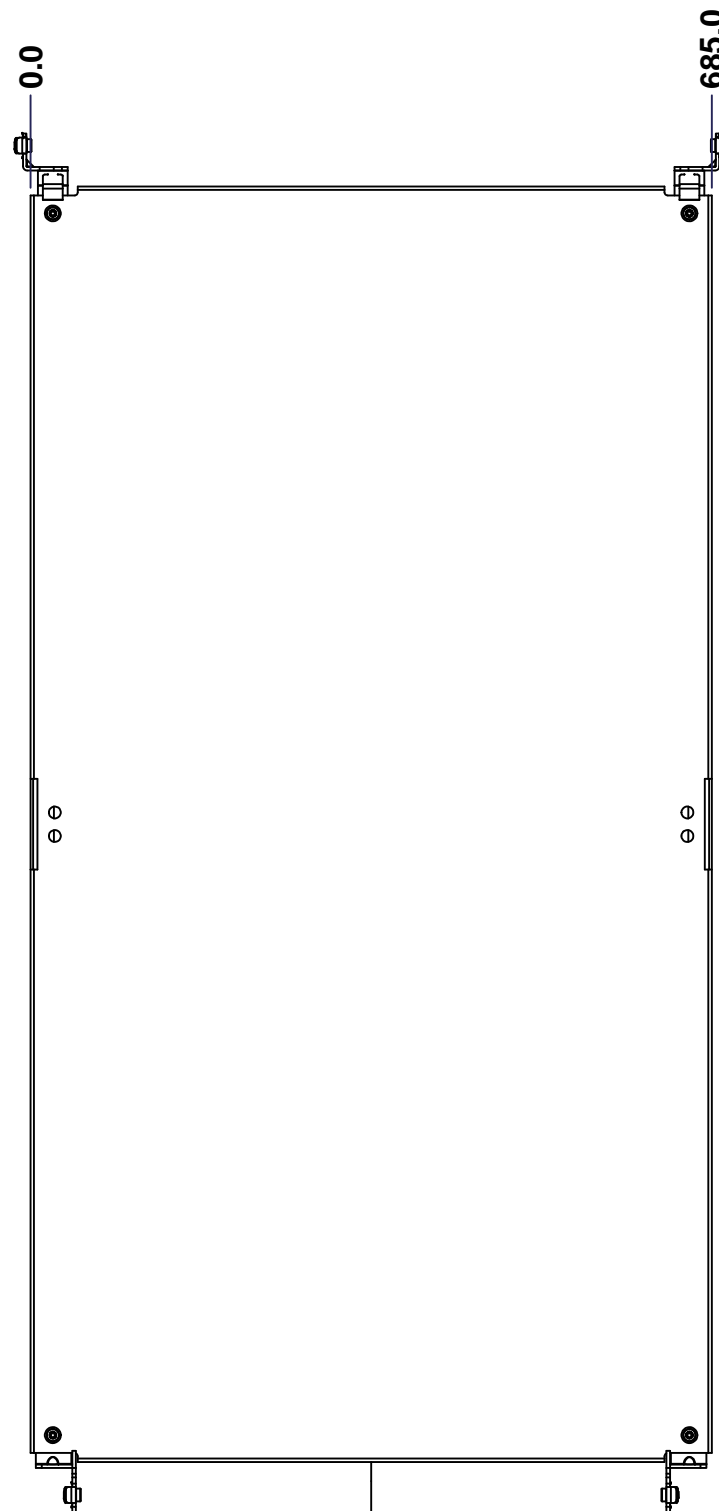
BACK



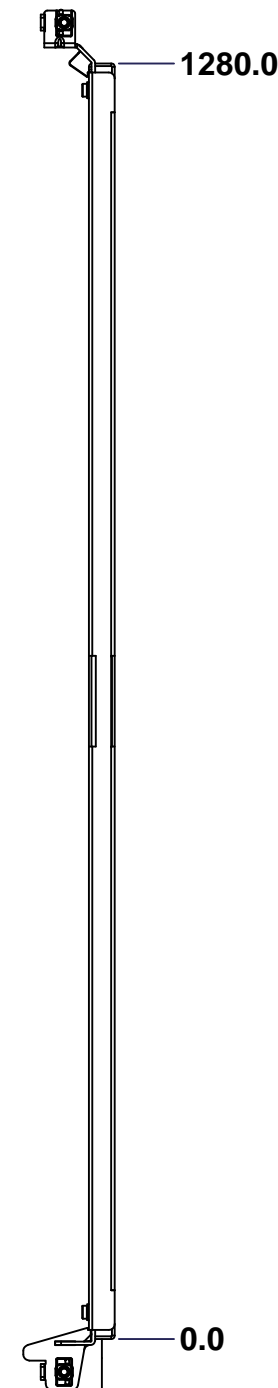
BOTTOM



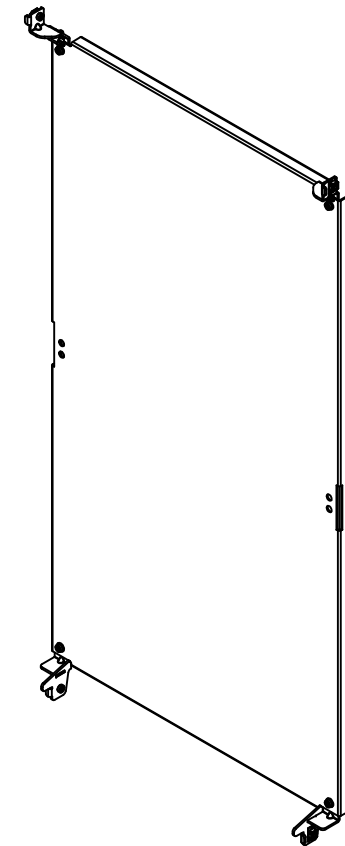
LEFT



FRONT




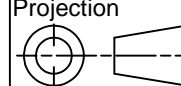
RIGHT



Isometric View



No.	Revisions	Date	By/Par

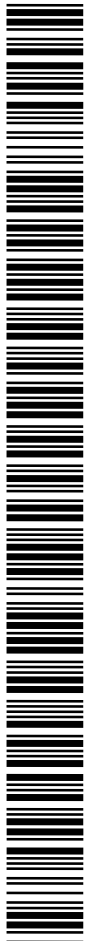
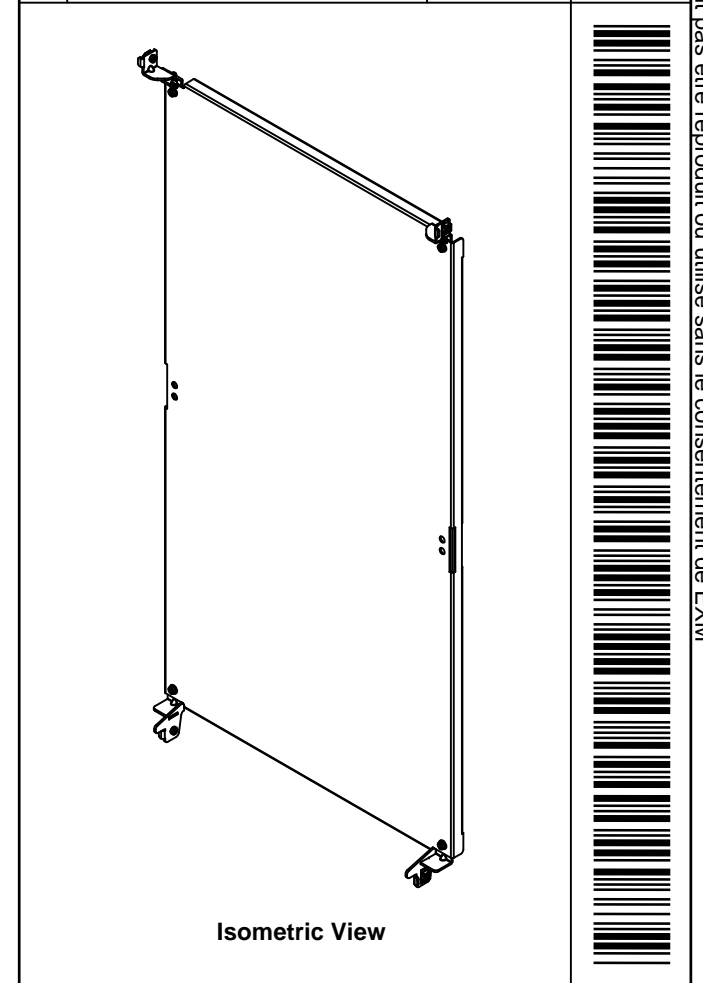
 Tél: (450) 979-4373 Fax: (450) 979-4626 www.exmweb.com		Flatness Aplatissement Max 3.0mm Projection 
Customer Client	Date	
Drawn By Dessiné Par	BoxCad: Annie	Date 29/01/2015
Material Matière	12 Ga Galvanized (2.5mm)	
Color Couleur	Unpainted	Finish Fini Unpainted
Description	Detail Rev.	
6500 MXM 1400mm x 800mm Back Inner Panel		
Part Number Numéro Pièce	Rev.	1
6500MXK140804BIP	0	3

SEE BILL OF MATERIAL ON LAST PAGE

This drawing is confidential and must not be reproduced or used without the consent of EXM

Ce dessin est confidentiel et ne doit pas être reproduit ou utilisé sans le consentement de EXM

No.	Revisions	Date	By/Par



Tél: (450) 979-4373 Fax: (450) 979-4626 www.exmweb.com		Flatness Aplatissement	
		Max 3.0mm Projection	
Customer Client		Date	
Drawn By Dessiné Par		Date	
BoxCad: Annie		29/01/2015	
Material Matière		12 Ga Galvanized (2.5mm)	
Color Couleur		Unpainted	
Finish Fini		Unpainted	
Description			Detail Rev.
6500 MXM 1400mm x 800mm Back Inner Panel			
Part Number Numéro Pièce		Rev.	3
6500MXK140804BIP		0	3

Qty	Part Number	Rev	Description
1	STK-A-49005	0	6500MXM - Bottom Inner Panel Support Kit (Right)
1	STK-A-49000	0	6500MXM - Bottom Inner Panel Support Kit (Left)
1	STK-A-49015	0	6500MXM - Top Inner Panel Support Kit (Right)
1	STK-A-49010	0	6500MXM - Top Inner Panel Support Kit (Left)
1	6500MXK140804BIP-P	0	6500 MXM 1400mm x 800mm Back Inner Panel Part
Parts List			