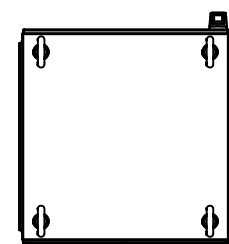
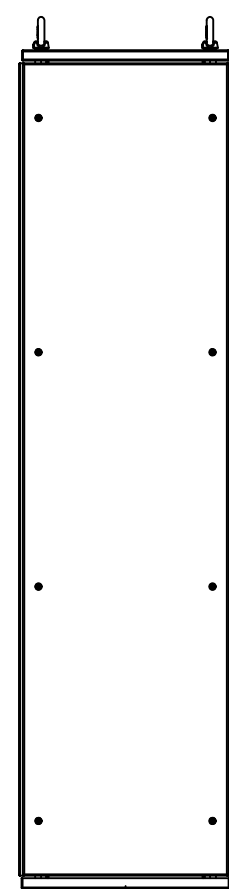


This drawing is confidential and must not be reproduced or used without the consent of EXM

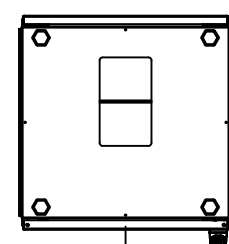
Ce dessin est confidentiel et ne doit pas être reproduit ou utilisé sans le consentement de EXM



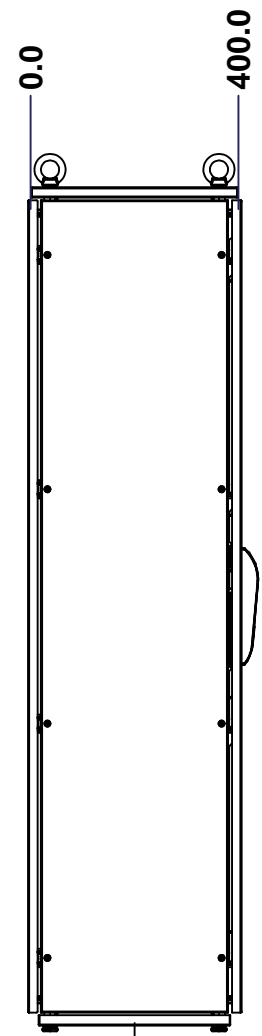
TOP



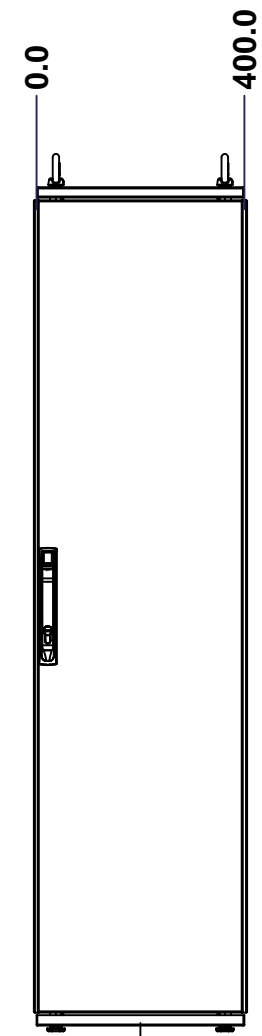
BACK



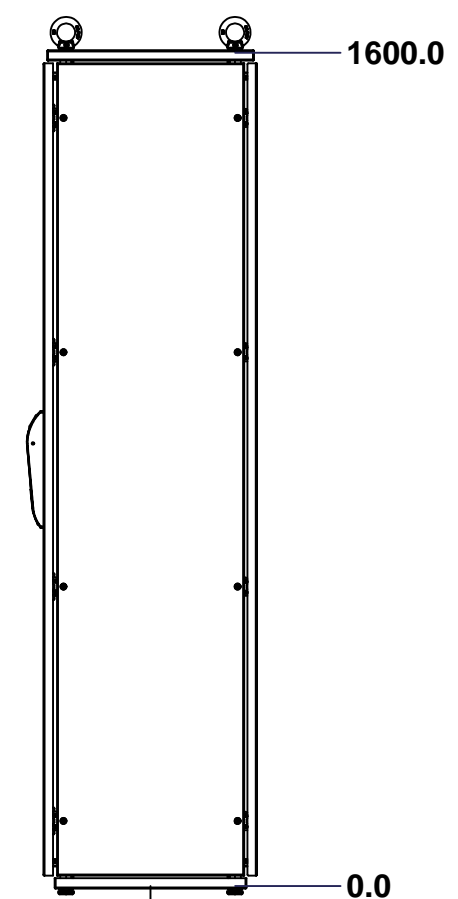
BOTTOM



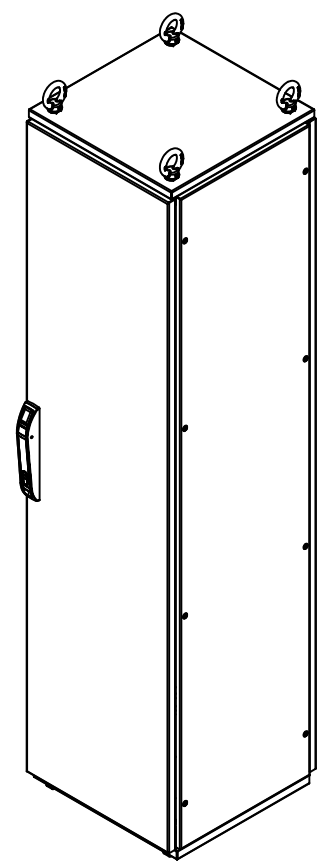
LEFT



FRONT




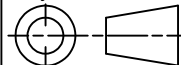
RIGHT



Isometric View



No.	Revisions	Date	By/Par

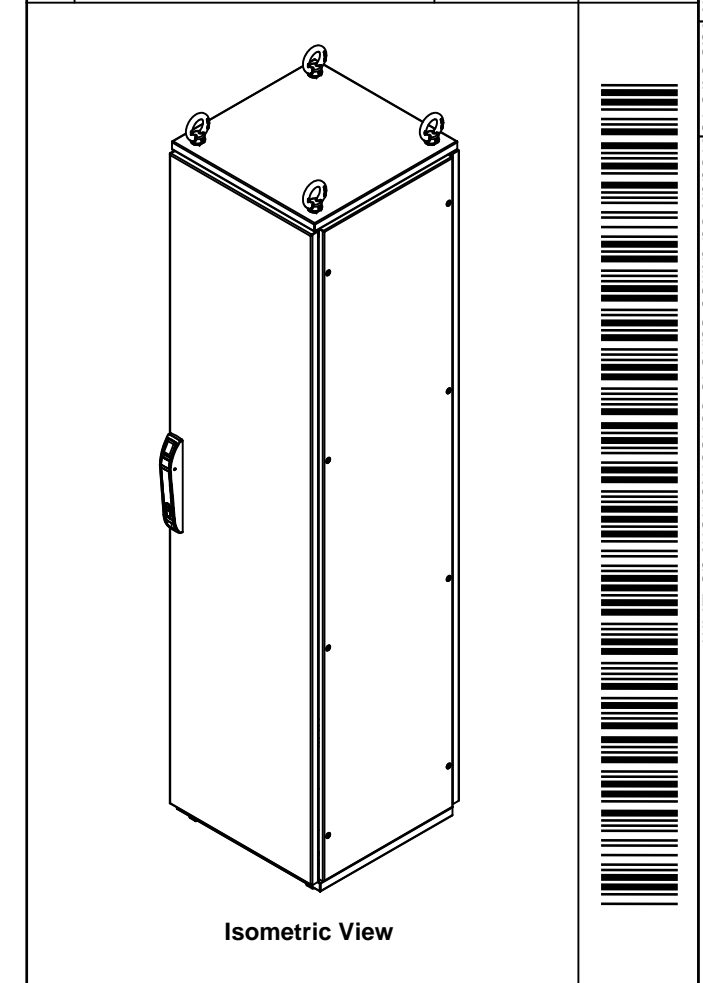
 Tél: (450) 979-4373 Fax: (450) 979-4626 <a href="http://www.exmweb.com">www.exmweb.com</a>		Flatness Aplatissement Max 3.0mm Projection 
Customer Client	Date	
Drawn By Dessiné Par	BoxCad: Annie	Date 01/02/2015
Material Matière	See Part List	
Color Couleur	See Part List	Finish Fini See Part List
Description	Detail Rev.	
6500MX 1600mm x 400mm x 400mm Assembly		
Part Number Numéro Pièce	Rev.	
<b>6500MXK160404</b>	<b>0</b>	1 2


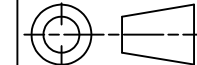
SEE BILL OF MATERIAL ON LAST PAGE

This drawing is confidential and must not be reproduced or used without the consent of EXM

Ce dessin est confidentiel et ne doit pas être reproduit ou utilisé sans le consentement de EXM

No.	Revisions	Date	By/Par

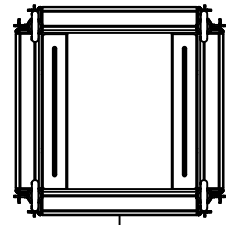


		Tél: (450) 979-4373 Fax: (450) 979-4626 <a href="http://www.exmweb.com">www.exmweb.com</a>		Flatness Aplatissement Max 3.0mm			
Customer Client		Date		Projection 			
Drawn By Dessiné Par		Date					
Material Matière		See Part List		Date 01/02/2015			
Color Couleur		See Part List		Finish Fini See Part List			
Description 6500MX 1600mm x 400mm x 400mm Assembly				Detail Rev.			
Part Number Numéro Pièce		Rev. 0		<table border="1" style="width: 100%;"> <tr> <td style="width: 50%; text-align: center;">2</td> <td style="width: 50%; text-align: center;">2</td> </tr> </table>		2	2
2	2						
<b>6500MXK160404</b>							

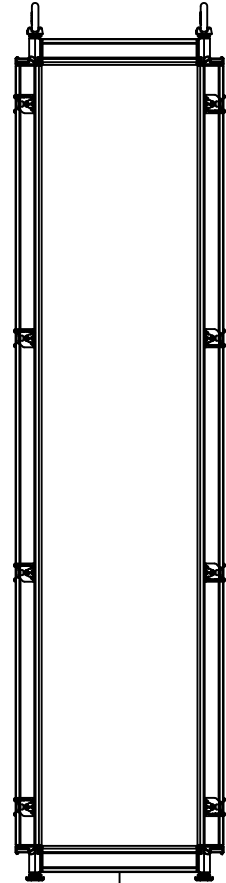
Qty	Part Number	Rev	Description
1	6500MXK160404BIP	0	6500 MXM 1600mm x 400mm Back Inner Panel
1	6500MXK160404R	0	6500 MXC 1600mm x 400mm Right
1	6500MXK160404L	0	6500 MXC 1600mm x 400mm Left
1	6500MXK160404F	0	6500 MXD 1600mm x 400mm Front
1	6500MXK160404B	0	6500 MXR 1600mm x 400mm Back
1	6500MXK160404BT	0	6500 MXB 400mm x 400mm Bottom
1	6500MXK160404T	0	6500 MXT 400mm x 400mm Top
1	6500MXK160404FR	0	6500 MX 1600mm x 400mm x 400mm Frame
Parts List			

This drawing is confidential and must not be reproduced or used without the consent of EXM

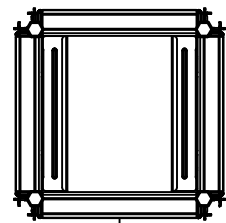
Ce dessin est confidentiel et ne doit pas être reproduit ou utilisé sans le consentement de EXM



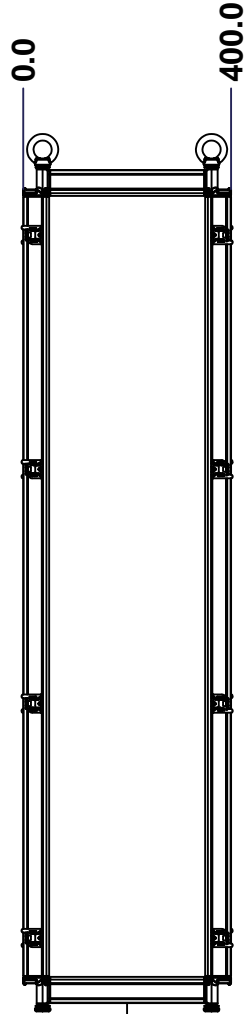
TOP



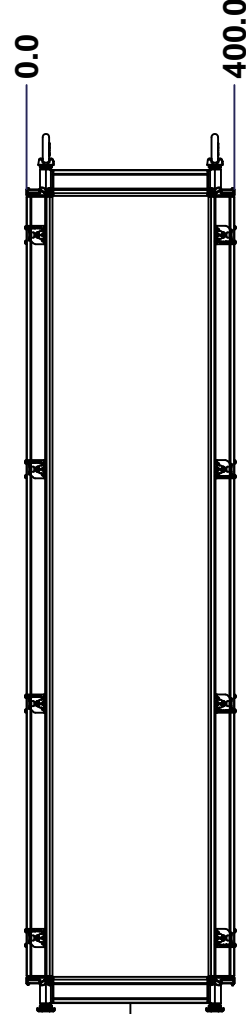
BACK



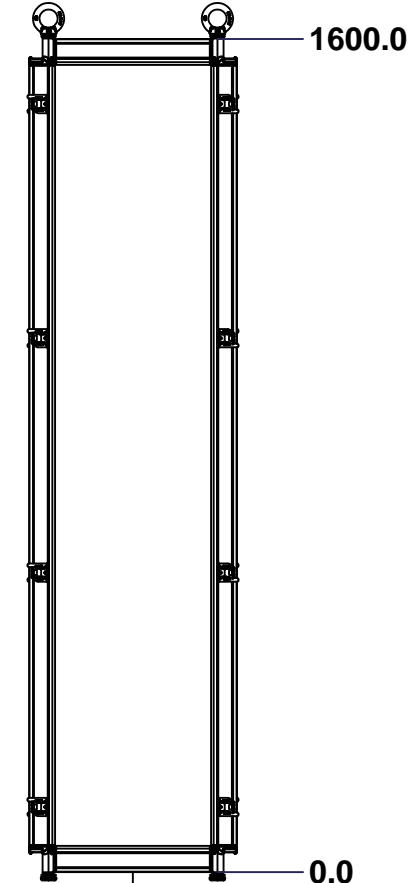
BOTTOM



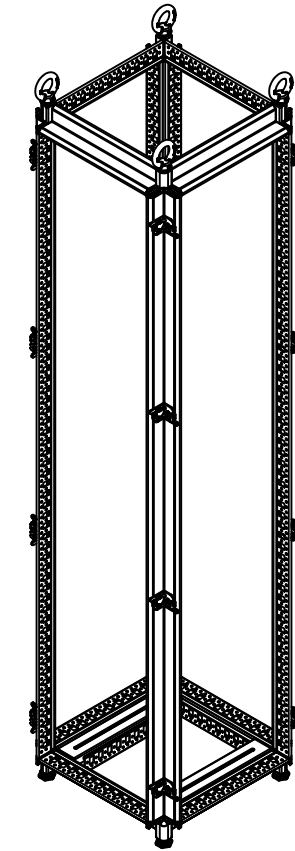
LEFT



FRONT




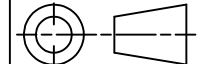
RIGHT



Isometric View



No.	Revisions	Date	By/Par

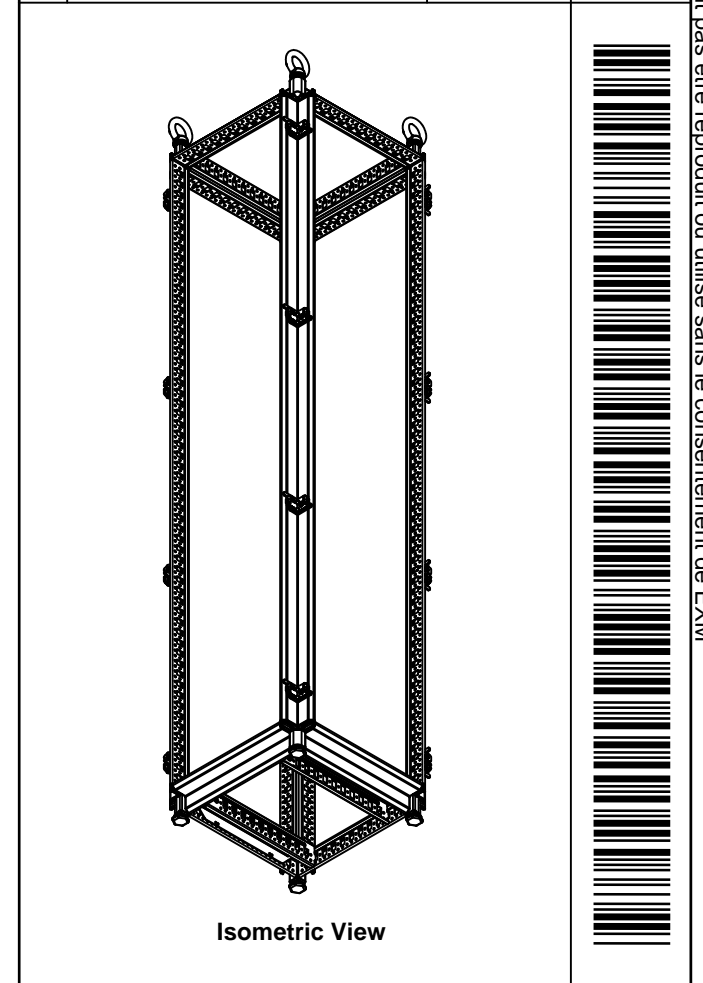
 Tél: (450) 979-4373 Fax: (450) 979-4626 <a href="http://www.exmweb.com">www.exmweb.com</a>		Flatness Aplatissement Max 3.0mm Projection 
Customer Client	Date	
Drawn By Dessiné Par	BoxCad: Annie	Date 01/02/2015
Material Matière 16 Ga Electro-Galvanized (1.4mm)		
Color Couleur	Iron Grey RAL7011	Finish Fin Rough Textured
Description 6500 MX 1600mm x 400mm x 400mm Frame		Detail Rev.
Part Number Numéro Pièce <b>6500MXK160404FR</b>		Rev. 1 <b>0</b> 2

SEE BILL OF MATERIAL ON LAST PAGE

This drawing is confidential and must not be reproduced or used without the consent of EXM

Ce dessin est confidentiel et ne doit pas être reproduit ou utilisé sans le consentement de EXM

No.	Revisions	Date	By/Par



**EXM**  
www.exm.com

Tél: (450) 979-4373  
Fax: (450) 979-4626  
[www.exmweb.com](http://www.exmweb.com)

Flatness  
Aplatissement  
Max 3.0mm

Projection

1	STK-P-03810R	0	Powder Paint (Iron Grey / Rough Textured)
1	STK-Q-49050	3	6500 MXM Inner Panel Slider 400mm
1	STK-Q-49050-L	3	6500 MXM Inner Panel Slider 400mm
4	STK-Q-49500	3	M12 Eye Bolt (0.34T)
4	STK-Q-61110	0	M12 Feet Leveler
8	STK-Q-00610	1	M18 x 30.5mm Bolt - Cover
4	STK-Q-47251-16	3	6500 MX 1600mm Vertical Frame Post Part
8	STK-Q-49445	2	6500 MX - Frame Corner Bracket Casting
16	STK-K-11001	2	3 Way Fixed Bracket Kit
8	STK-Q-47250-04	3	6500 MX 400mm Horizontal Frame Post Part
Qty	Part Number	Rev	Description
Parts List			

Customer Client

Drawn By / Dessiné Par: BoxCad: Annie

Material / Matière: 16 Ga Electro-Galvanized (1.4mm)

Color / Couleur: Iron Grey RAL7011

Finish / Fini: Rough Textured

Description: 6500 MX 1600mm x 400mm x 400mm Frame

Part Number / Numéro Pièce: **6500MXK160404FR**

Date: 01/02/2015

Detail Rev.:

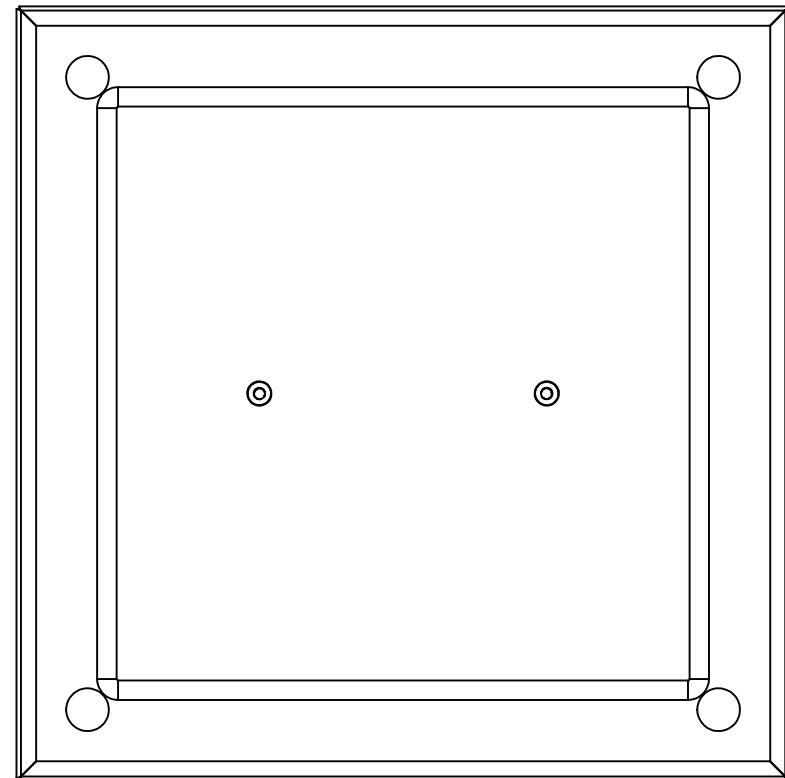
Rev.	2
<b>0</b>	<b>2</b>

This drawing is confidential and must not be reproduced or used without the consent of EXM

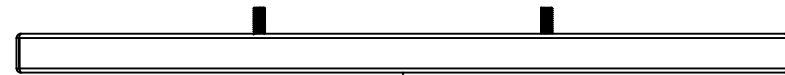
Ce dessin est confidentiel et ne doit pas être reproduit ou utilisé sans le consentement de EXM



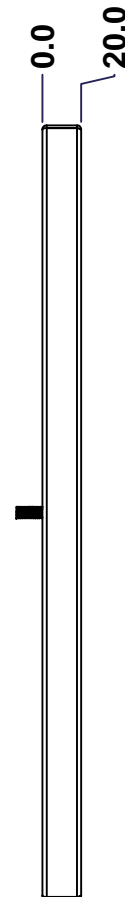
TOP



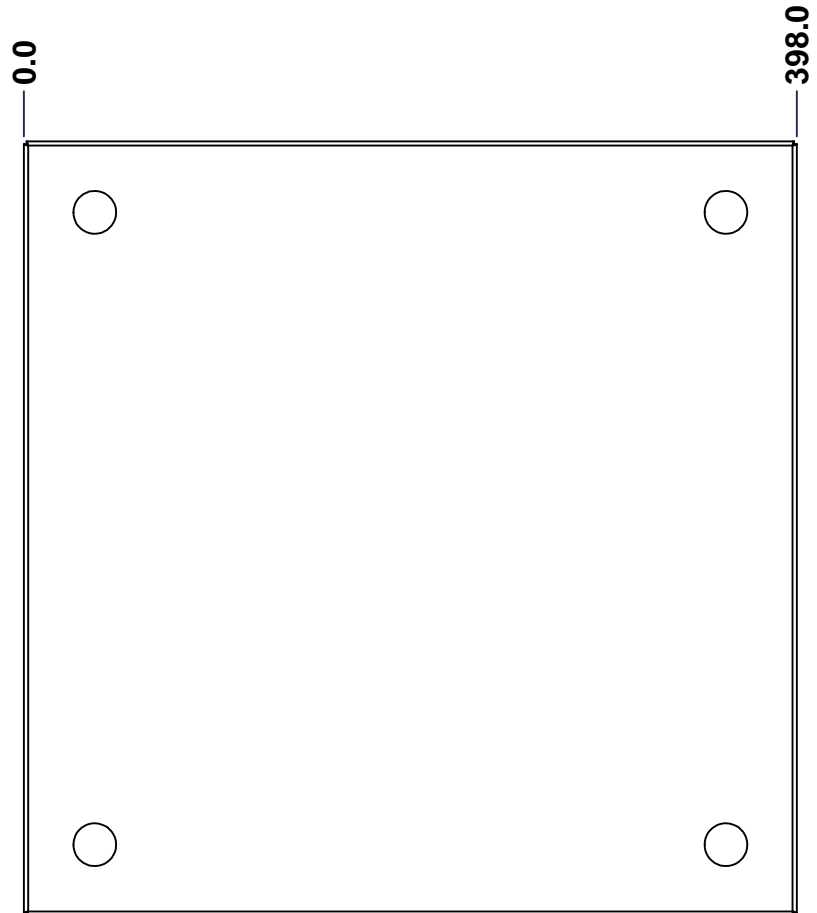
BACK



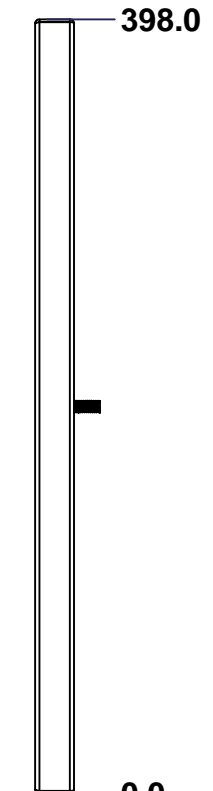
BOTTOM



LEFT

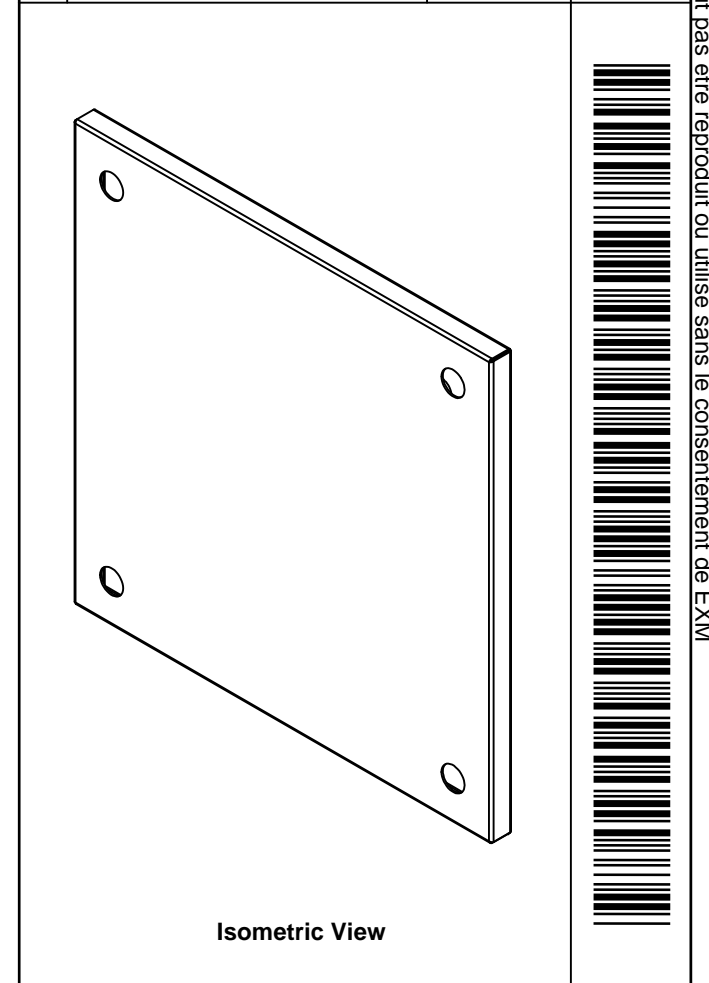



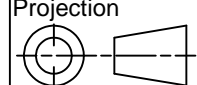
FRONT



RIGHT

No.	Revisions	Date	By/Par



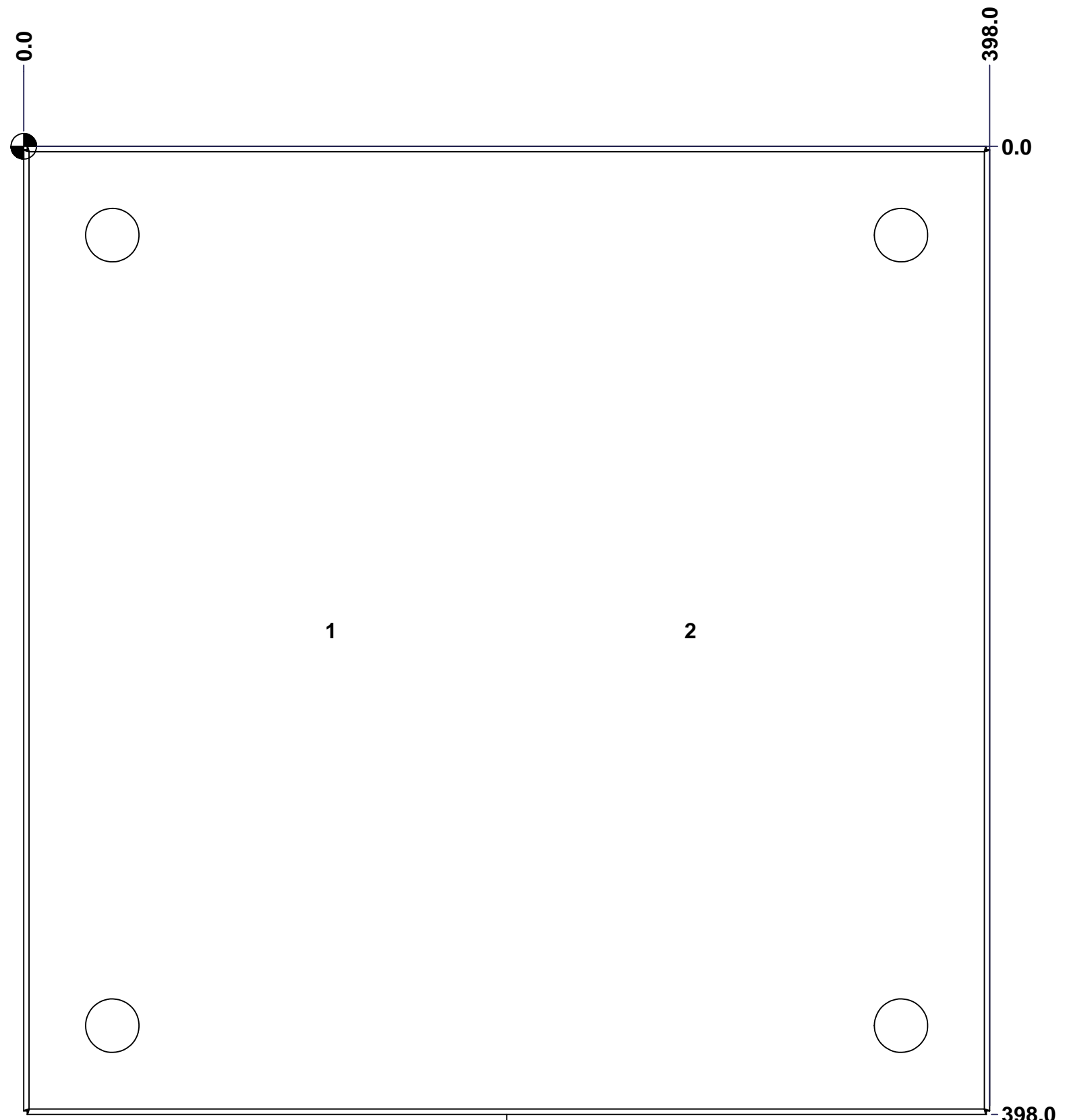
 Tél: (450) 979-4373 Fax: (450) 979-4626 <a href="http://www.exmweb.com">www.exmweb.com</a>		Flatness Aplatissement Max 3.0mm Projection 
Customer Client	Date	
Drawn By Dessiné Par	BoxCad: Annie	Date 01/02/2015
Material Matière	16 Ga H.R.P. & O. (1.4mm)	
Color Couleur	Iron Grey RAL7011	Finish Fini Rough Textured
Description	Detail Rev.	
6500 MXT 400mm x 400mm Top		
Part Number Numéro Pièce	Rev.	1 3
<b>6500MXK160404T</b>	<b>0</b>	

SEE BILL OF MATERIAL ON LAST PAGE

This drawing is confidential and must not be reproduced or used without the consent of EXM

Ce dessin est confidentiel et ne doit pas être reproduit ou utilisé sans le consentement de EXM

STANDARD FEATURES ARE NOT LISTED IN THIS HOLE TABLE			
HOLE TABLE - FRONT VIEW (CUSTOM FEATURE ONLY)			
CUT-OUT	XDIM	YDIM	DESCRIPTION
1	125.0	199.0	GND STUD M6 x 16mm (Inside)
2	273.0	199.0	GND STUD M6 x 16mm (Inside)



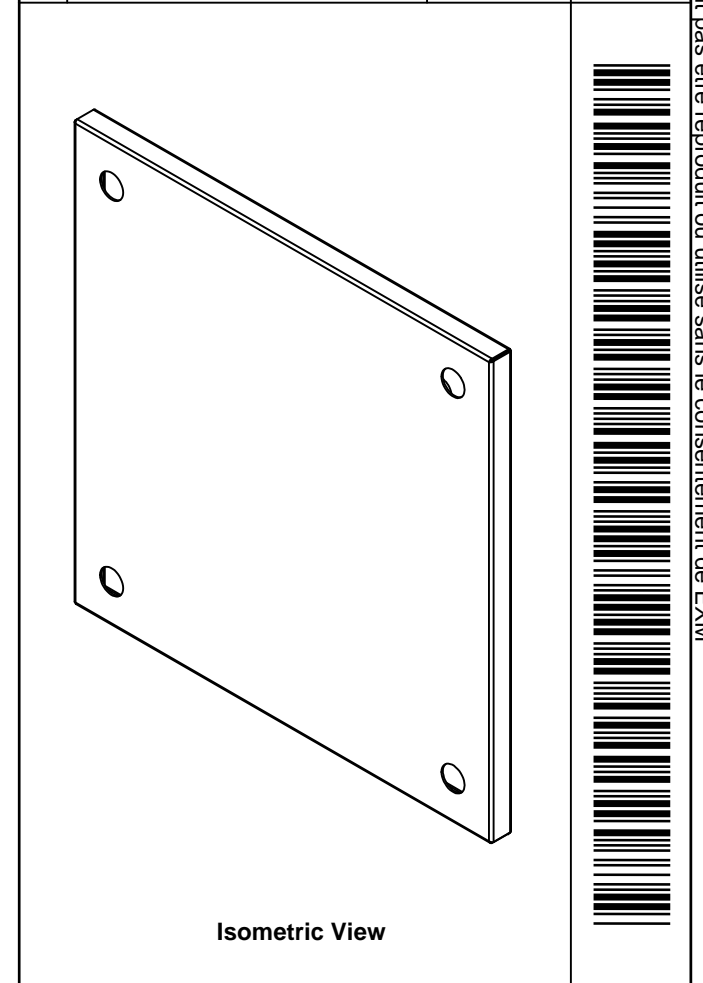
FRONT


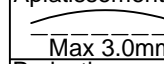
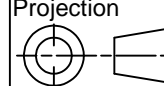
	Description	Status
	6500 MXT 400mm x 400mm Top	(NULL)
	Part Number Numéro Pièce	Rev.
	<b>6500MXK160404T</b>	<b>0</b>
		2
		3

This drawing is confidential and must not be reproduced or used without the consent of EXM

Ce dessin est confidentiel et ne doit pas être reproduit ou utilisé sans le consentement de EXM

No.	Revisions	Date	By/Par

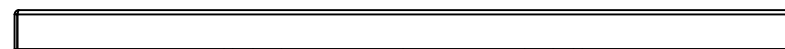


 Tél: (450) 979-4373 Fax: (450) 979-4626 <a href="http://www.exmweb.com">www.exmweb.com</a>		Flatness Aplatissement  Max 3.0mm Projection 
Customer Client	Date	
Drawn By Dessiné Par	BoxCad: Annie	Date 01/02/2015
Material Matière	16 Ga H.R.P. & O. (1.4mm)	
Color Couleur	Iron Grey RAL7011	Finish Fini
Description		Detail Rev.
6500 MXT 400mm x 400mm Top		
Part Number Numéro Pièce	Rev.	3
<b>6500MXK160404T</b>	<b>0</b>	<b>3</b>

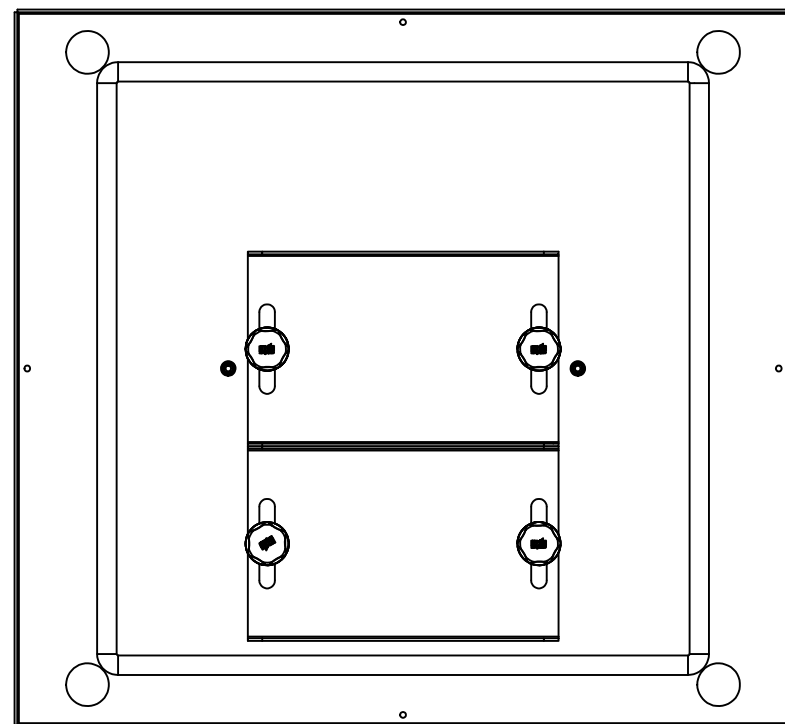
Qty	Part Number	Rev	Description
1	STK-P-03810R	0	Powder Paint (Iron Grey / Rough Textured)
2	STK-Q-16080	0.1.1	M6 x 16mm Ground Stud
1	6500MXK160404TG	0	6500 MXT 400mm x 400mm Top Gasket
1	6500MXK160404T-P	0	6500 MXT 400mm x 400mm Top Part
Parts List			

This drawing is confidential and must not be reproduced or used without the consent of EXM

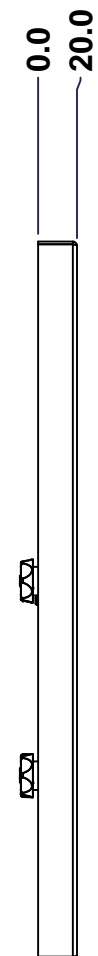
Ce dessin est confidentiel et ne doit pas être reproduit ou utilisé sans le consentement de EXM



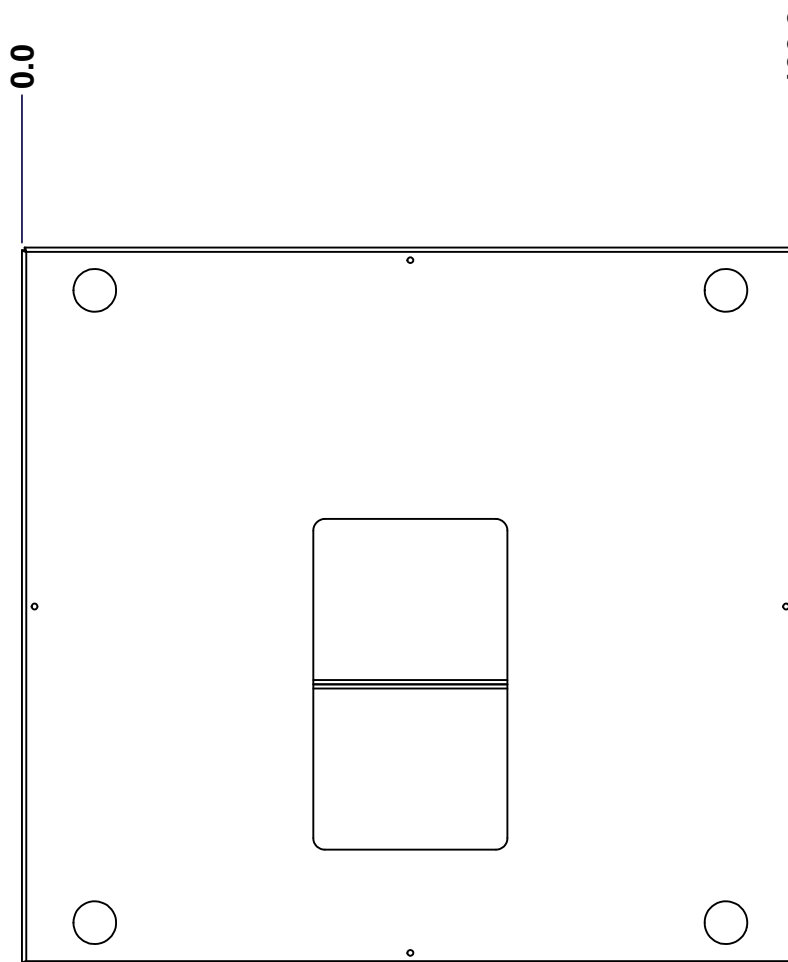
TOP



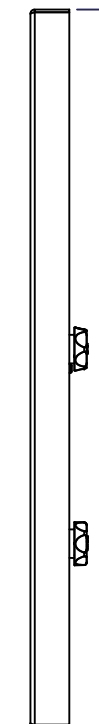
BACK



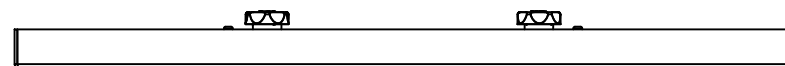
LEFT



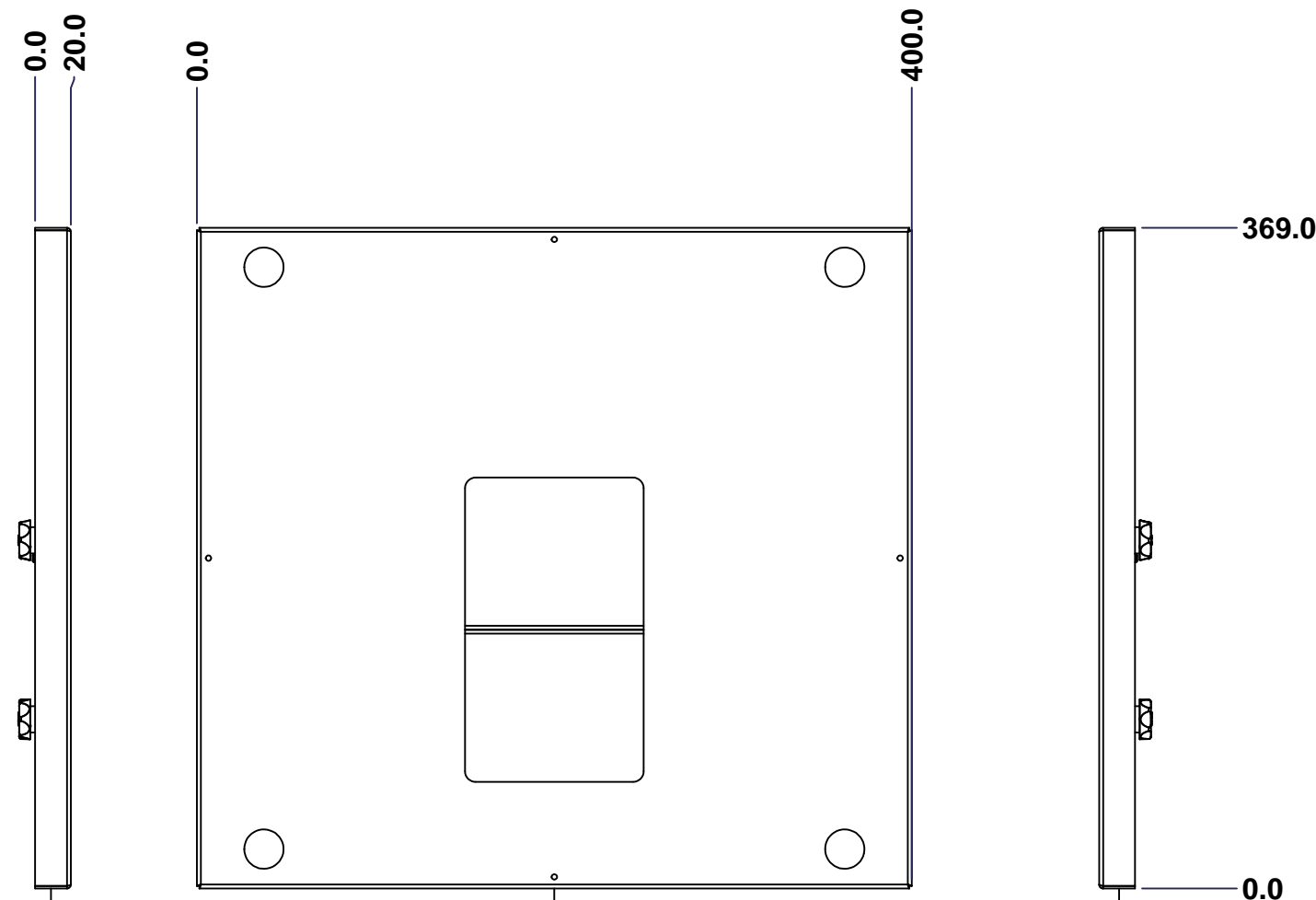
FRONT



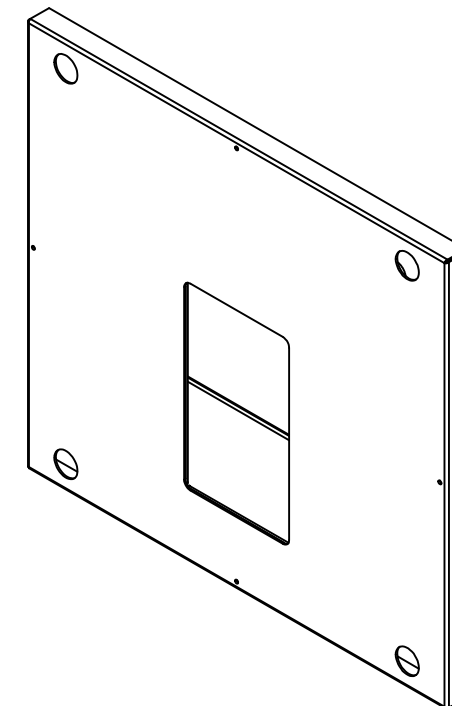
RIGHT



BOTTOM



No.	Revisions	Date	By/Par



Isometric View

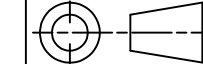


Tél: (450) 979-4373  
 Fax: (450) 979-4626  
[www.exmweb.com](http://www.exmweb.com)

Flatness  
Aplatissement

Max 3.0mm

Projection



Customer Client	Date
Drawn By / Dessiné Par: BoxCad: Annie	Date: 01/02/2015

Material / Matière: 16 Ga H.R.P. & O. (1.4mm)

Color / Couleur: Iron Grey RAL7011	Finish / Fini: Rough / Textured
------------------------------------	---------------------------------

Description: 6500 MXB 400mm x 400mm Bottom

Part Number / Numéro Pièce: 6500MXK160404BT	Rev. 0	1 / 3
---	--------	-------

SEE BILL OF MATERIAL ON LAST PAGE



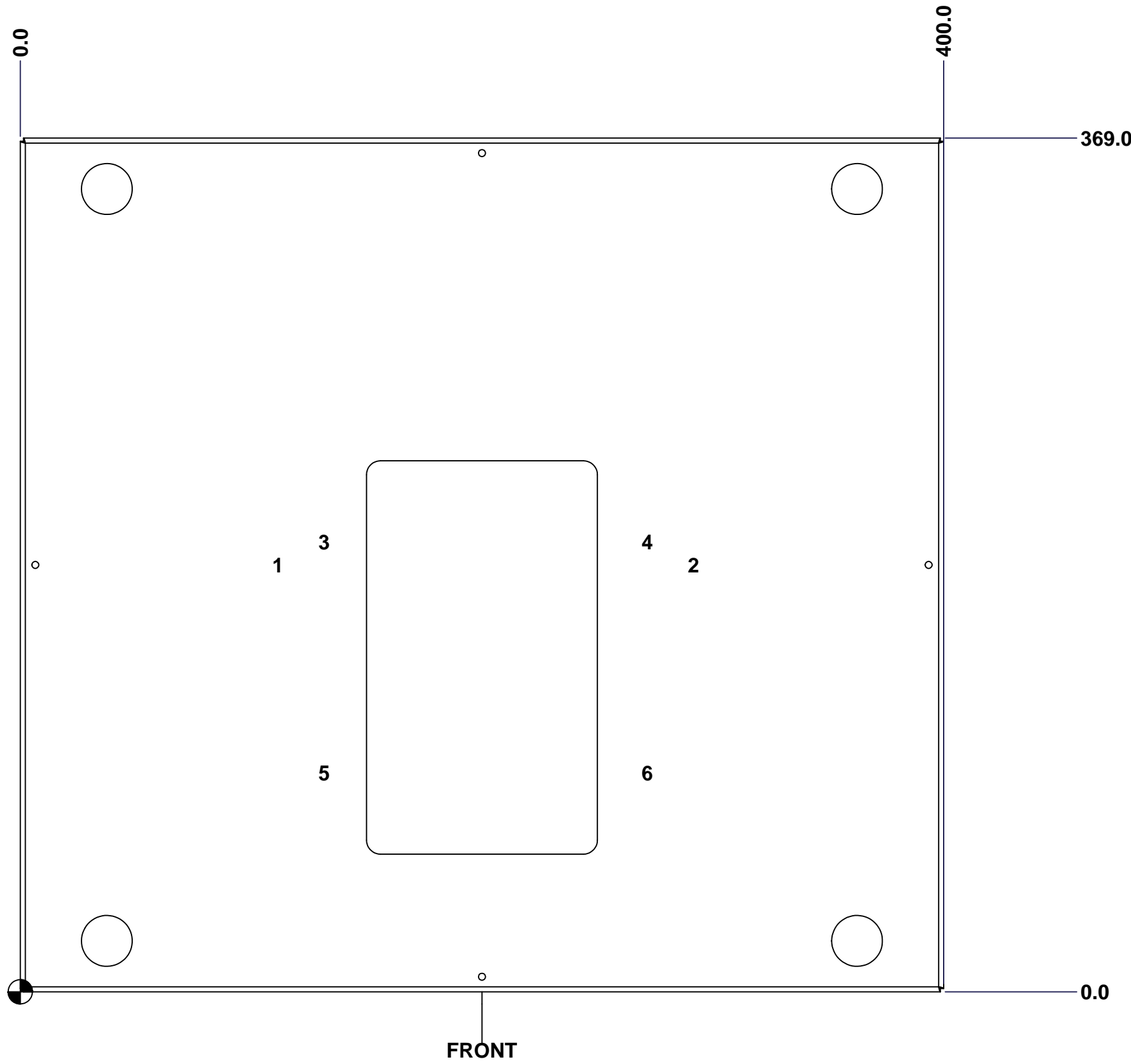
This drawing is confidential and must not be reproduced or used without the consent of EXM

Ce dessin est confidentiel et ne doit pas être reproduit ou utilisé sans le consentement de EXM

**STANDARD FEATURES ARE NOT LISTED IN THIS HOLE TABLE**

**HOLE TABLE - FRONT VIEW (CUSTOM FEATURE ONLY)**

CUT-OUT	XDIM	YDIM	DESCRIPTION
1	110.0	184.5	GND STUD M6 x 16mm (Inside)
2	290.0	184.5	GND STUD M6 x 16mm (Inside)
3	130.0	194.5	GP STUD M6 x 10mm (Inside)
4	270.0	194.5	GP STUD M6 x 10mm (Inside)
5	130.0	94.5	GP STUD M6 x 10mm (Inside)
6	270.0	94.5	GP STUD M6 x 10mm (Inside)

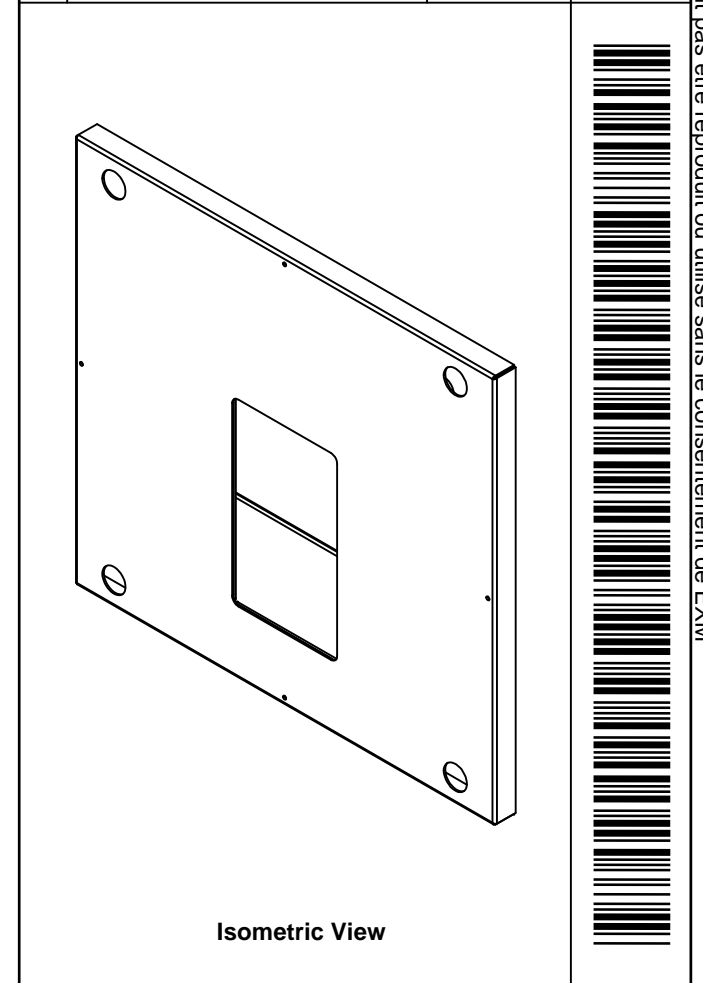


	Description	Status
	6500 MXB 400mm x 400mm Bottom	(NULL)
	Part Number Numéro Pièce	Rev.
	<b>6500MXK160404BT</b>	<b>0</b>
		2
		3

This drawing is confidential and must not be reproduced or used without the consent of EXM

Ce dessin est confidentiel et ne doit pas être reproduit ou utilisé sans le consentement de EXM

No.	Revisions	Date	By/Par

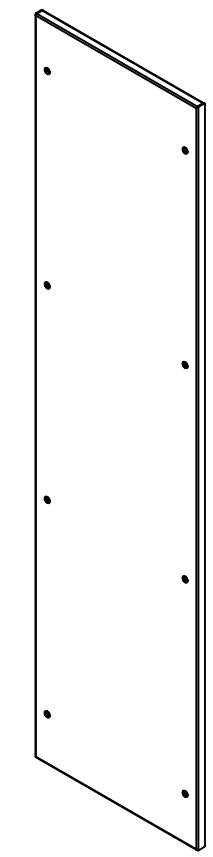
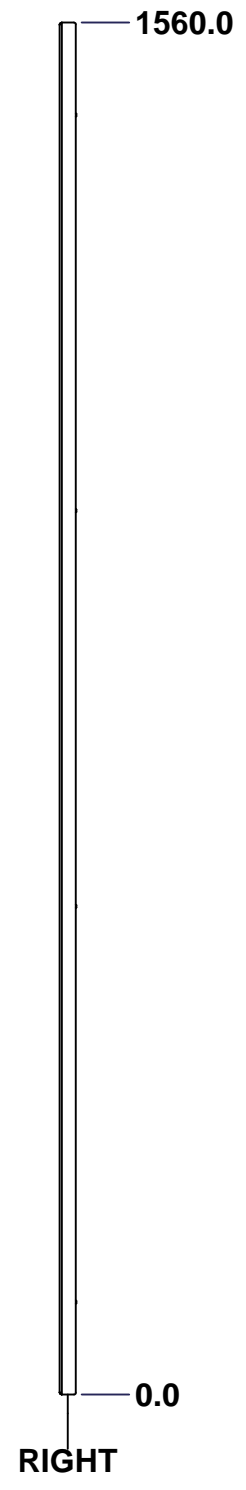
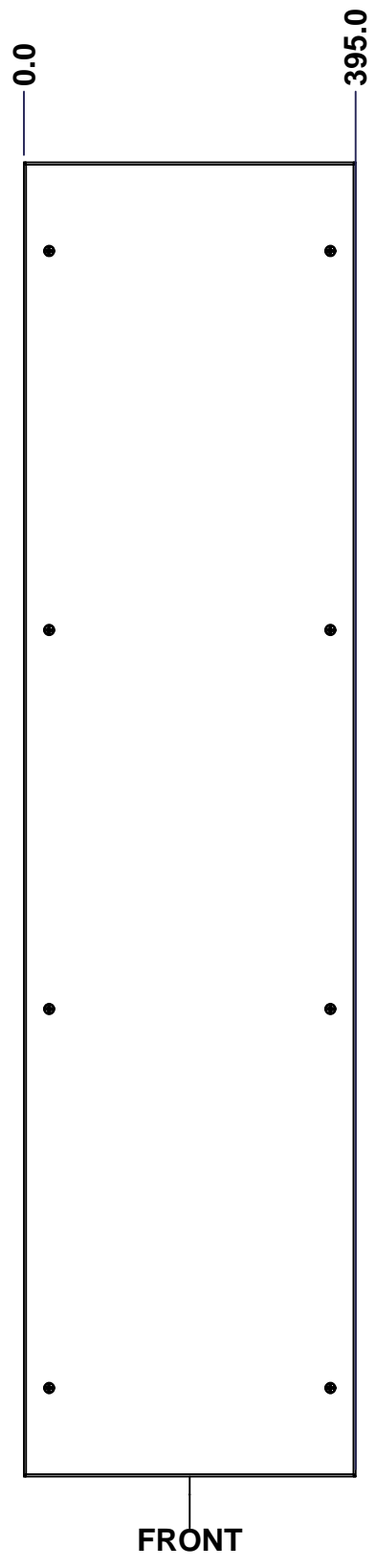
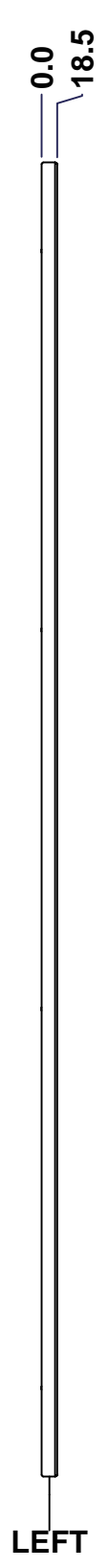
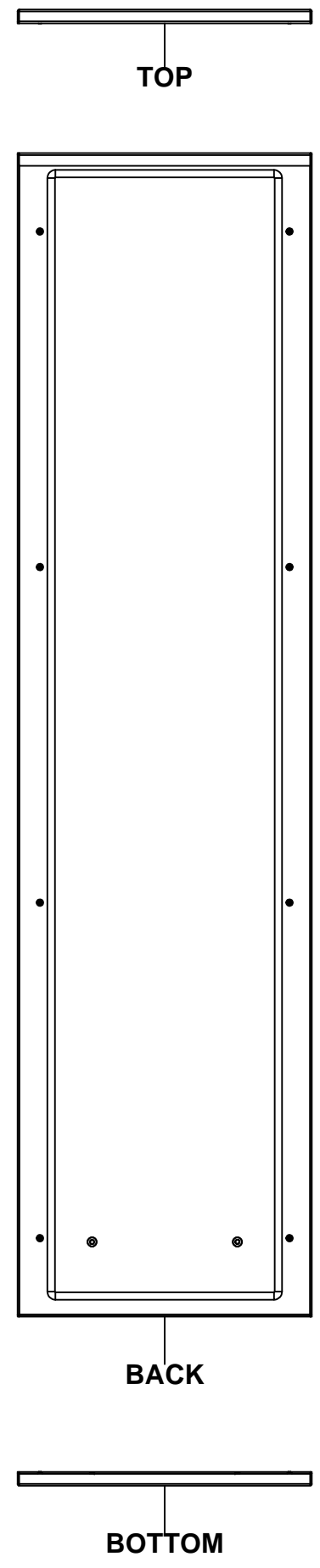


Tél: (450) 979-4373 Fax: (450) 979-4626 <a href="http://www.exmweb.com">www.exmweb.com</a>		Flatness Aplatissement	
		Max 3.0mm Projection	
Customer Client		Date	
Drawn By Dessiné Par BoxCad: Annie		Date 01/02/2015	
Material Matière 16 Ga H.R.P. & O. (1.4mm)			
Color Couleur Iron Grey RAL7011		Finish Fini Rough Textured	
Description 6500 MXB 400mm x 400mm Bottom			Detail Rev.
Part Number Numéro Pièce <b>6500MXK160404BT</b>		Rev. <b>0</b>	3 3

Qty	Part Number	Rev	Description
1	STK-P-03810R	0	Powder Paint (Iron Grey / Rough Textured)
4	STK-Q-06001	0	Mtrx - Gland Plate M6 Plastic Thumb Nut
2	STK-Q-16055	1	M6 x 18mm Stud (No Paint Cap Required)
2	6500MXK160404GP100-P	0	6500 MXB 400mm Gland Plate Part (100mm)
4	STK-Q-16031	0	M6 x 10mm Stud (No Paint Cap Required)
1	6500MXK160404BTGPG	0	6500 MXB 400mm x 400mm Bottom Gland Plate Gasket
1	6500MXK160404BTG	0	6500 MXB 400mm x 400mm Bottom Gasket
1	6500MXK160404BT-P	0	6500 MXB 400mm x 400mm Bottom Part
Parts List			

This drawing is confidential and must not be reproduced or used without the consent of EXM

Ce dessin est confidentiel et ne doit pas être reproduit ou utilisé sans le consentement de EXM



Isometric View



No.	Revisions	Date	By/Par

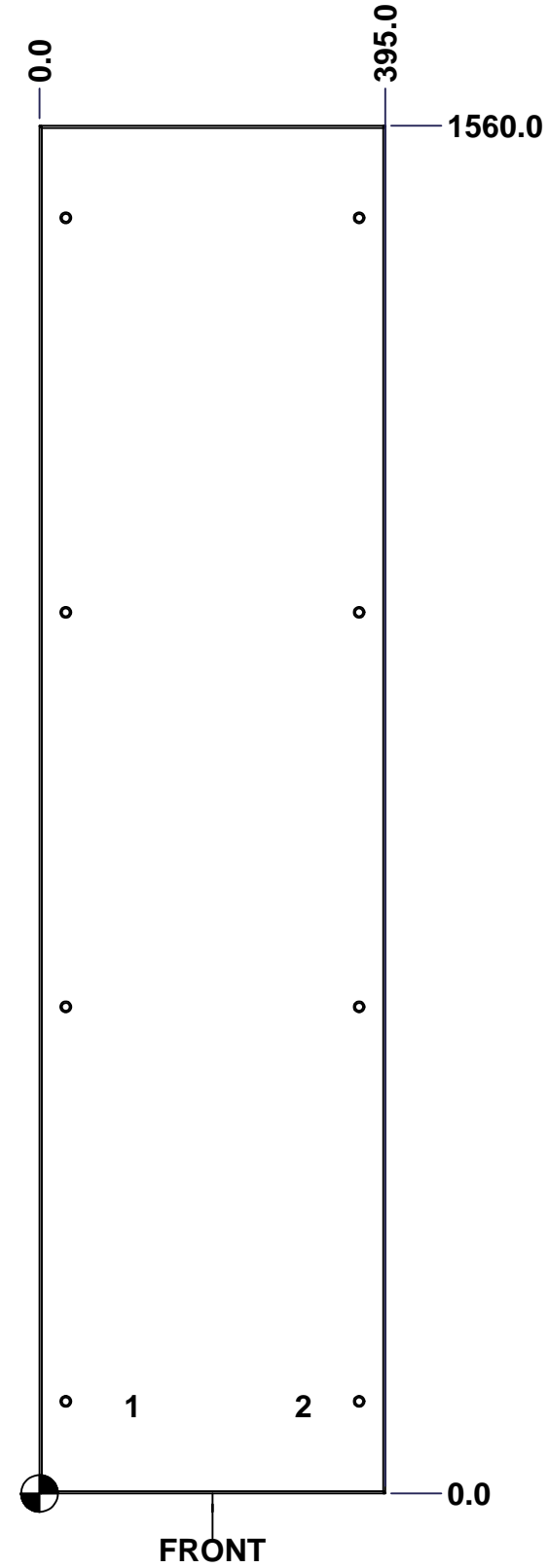
		Flatness Aplatissement Max 3.0mm Projection 	
Tél: (450) 979-4373 Fax: (450) 979-4626 <a href="http://www.exmweb.com">www.exmweb.com</a>		Customer Client Date	
Drawn By Dessiné Par BoxCad: Annie		Date 01/02/2015	
Material Matière 14 Ga H.R.P. & O. (1.7mm)		Color Couleur Light Grey RAL7035	
Finish Fini Rough Textured		Description 6500 MXR 1600mm x 400mm Back	
Part Number Numéro Pièce <b>6500MXK160404B</b>		Detail Rev. Rev. 1 0 3	

SEE BILL OF MATERIAL ON LAST PAGE

This drawing is confidential and must not be reproduced or used without the consent of EXM

Ce dessin est confidentiel et ne doit pas être reproduit ou utilisé sans le consentement de EXM

STANDARD FEATURES ARE NOT LISTED IN THIS HOLE TABLE			
HOLE TABLE - FRONT VIEW (CUSTOM FEATURE ONLY)			
CUT-OUT	XDIM	YDIM	DESCRIPTION
1	100.0	100.0	GND STUD M6 x 16mm (Inside)
2	295.0	100.0	GND STUD M6 x 16mm (Inside)

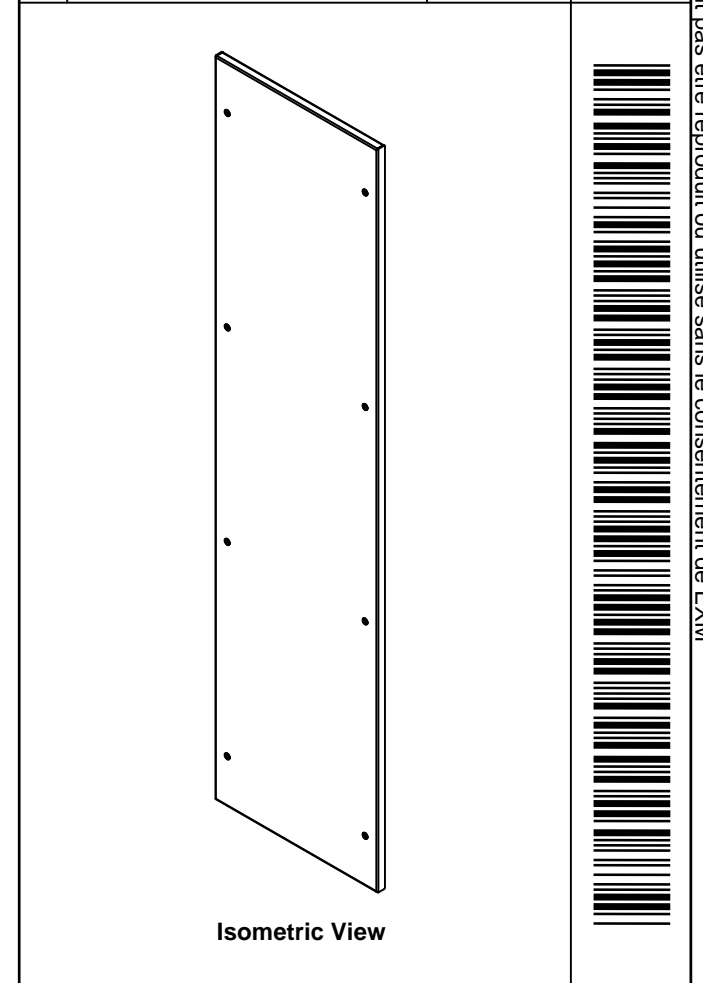


	Description 6500 MXR 1600mm x 400mm Back	Status (NULL)
	Part Number Numéro Pièce <b>6500MXK160404B</b>	Rev. 2 <b>0</b> / 3

This drawing is confidential and must not be reproduced or used without the consent of EXM

Ce dessin est confidentiel et ne doit pas être reproduit ou utilisé sans le consentement de EXM

No.	Revisions	Date	By/Par

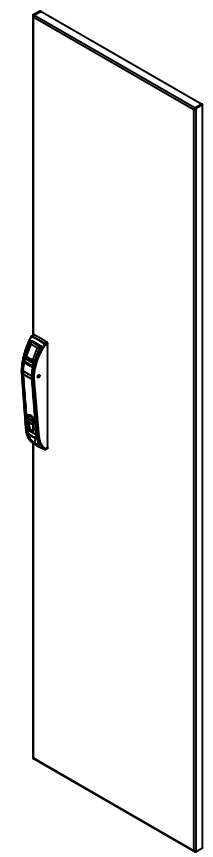
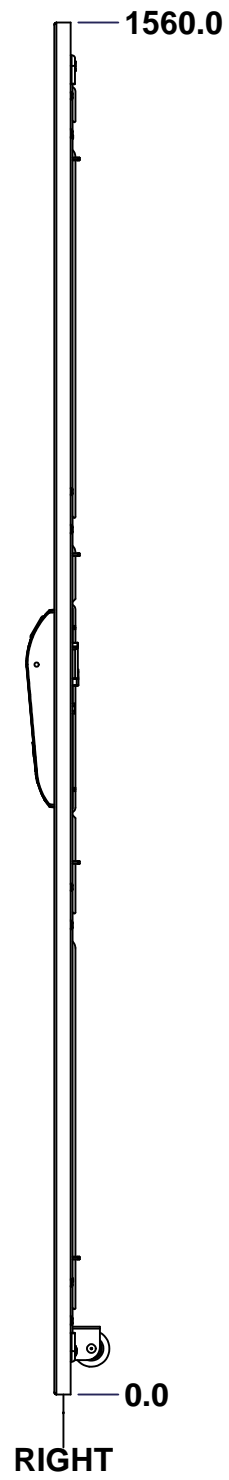
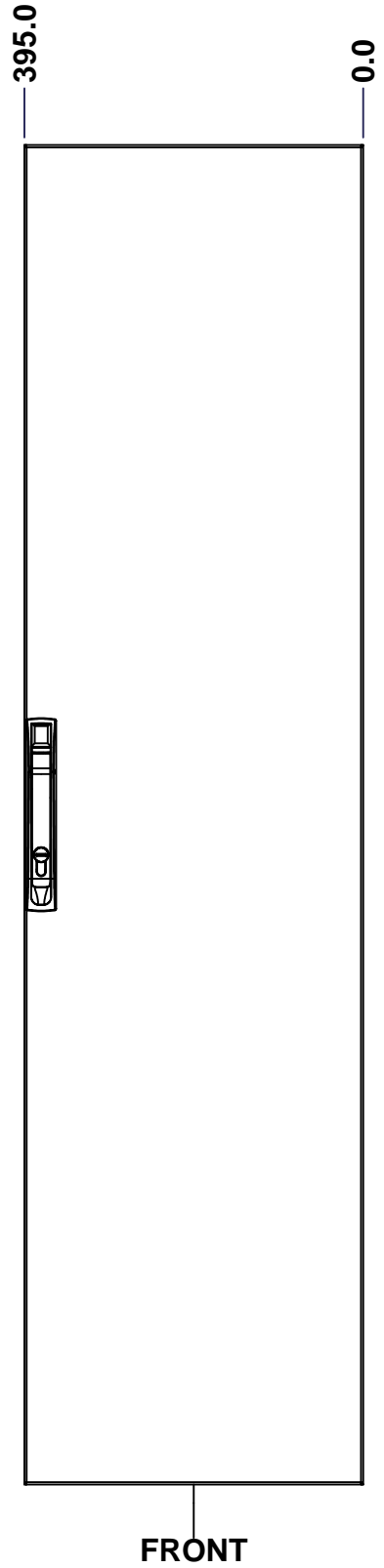
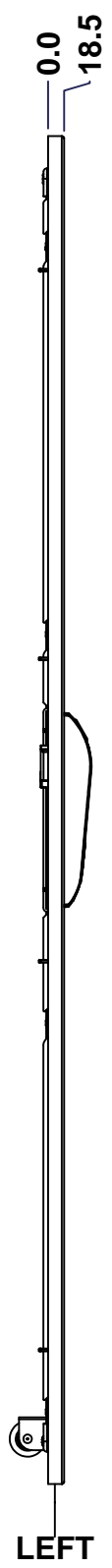
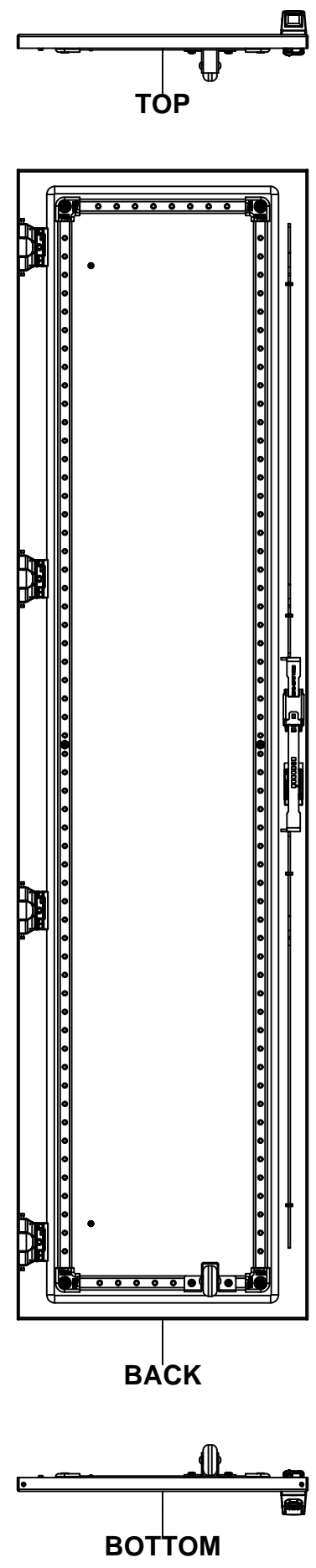


Tél: (450) 979-4373 Fax: (450) 979-4626 <a href="http://www.exmweb.com">www.exmweb.com</a>		Flatness Aplatissement	
		Max 3.0mm Projection	
Customer Client		Date	
Drawn By Dessiné Par BoxCad: Annie		Date 01/02/2015	
Material Matière 14 Ga H.R.P. & O. (1.7mm)			
Color Couleur Light Grey RAL7035		Finish Fini Rough Textured	
Description		Detail Rev.	
6500 MXR 1600mm x 400mm Back			
Part Number Numéro Pièce		Rev.	3
<b>6500MXK160404B</b>		<b>0</b>	<b>3</b>

Qty	Part Number	Rev	Description
1	STK-P-03820R	0	Powder Paint (Light Grey / Rough Textured)
8	STK-Q-03072	2	M6 x 17mm Phillips Flat Head Screw
2	STK-Q-16080	0.1.1	M6 x 16mm Ground Stud
1	6500MXK160404BG	0	6500 MXR 1600mm x 400mm Back Gasket
1	6500MXK160404B-P	0	6500 MXR 1600mm x 400mm Back Part
Parts List			

This drawing is confidential and must not be reproduced or used without the consent of EXM

Ce dessin est confidentiel et ne doit pas être reproduit ou utilisé sans le consentement de EXM



Isometric View



No.	Revisions	Date	By/Par

		Tél: (450) 979-4373 Fax: (450) 979-4626 <a href="http://www.exmweb.com">www.exmweb.com</a>		Flatness Aplatissement Max 3.0mm Projection 
Customer Client		Date		Date 01/02/2015
Drawn By / Dessiné Par: BoxCad: Annie		Date		
Material / Matière: 14 Ga H.R.P. & O. (1.7mm)		Color / Couleur: Light Grey RAL7035		Finish / Fini: Rough Textured
Description: 6500 MXD 1600mm x 400mm Front			Detail Rev.	
Part Number / Numéro Pièce: 6500MXK160404F		Rev. 0	1	3

SEE BILL OF MATERIAL ON LAST PAGE

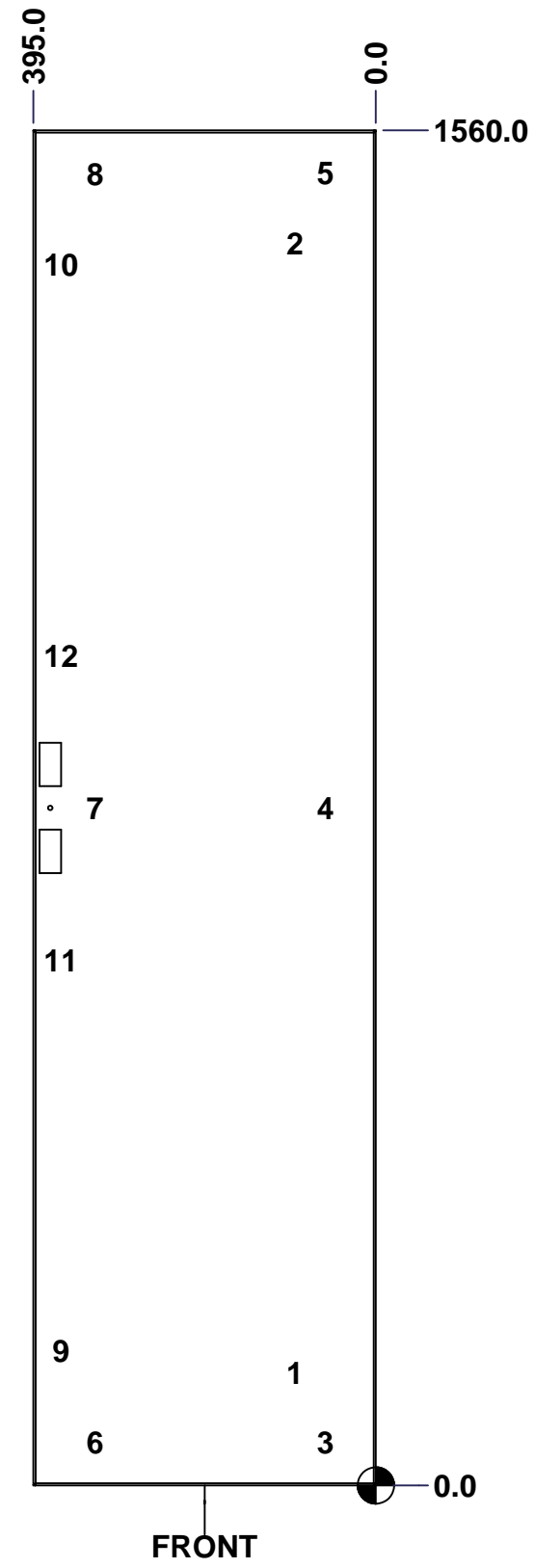
This drawing is confidential and must not be reproduced or used without the consent of EXM

Ce dessin est confidentiel et ne doit pas être reproduit ou utilisé sans le consentement de EXM

**STANDARD FEATURES ARE NOT LISTED IN THIS HOLE TABLE**

**HOLE TABLE - FRONT VIEW (CUSTOM FEATURE ONLY)**

CUT-OUT	XDIM	YDIM	DESCRIPTION
1	100.0	130.0	GND STUD M6 x 16mm (Inside)
2	100.0	1430.0	GND STUD M6 x 16mm (Inside)
3	64.5	49.5	STIFF. STUD M6 x 18mm (Inside)
4	64.5	780.0	STIFF. STUD M6 x 18mm (Inside)
5	64.5	1510.5	STIFF. STUD M6 x 18mm (Inside)
6	330.5	49.5	STIFF. STUD M6 x 18mm (Inside)
7	330.5	780.0	STIFF. STUD M6 x 18mm (Inside)
8	330.5	1510.5	STIFF. STUD M6 x 18mm (Inside)
9	369.5	155.0	CLOSING BAR GUIDE (Inside)
10	369.5	1405.0	CLOSING BAR GUIDE (Inside)
11	369.5	605.0	CLOSING BAR GUIDE (Inside)
12	369.5	955.0	CLOSING BAR GUIDE (Inside)

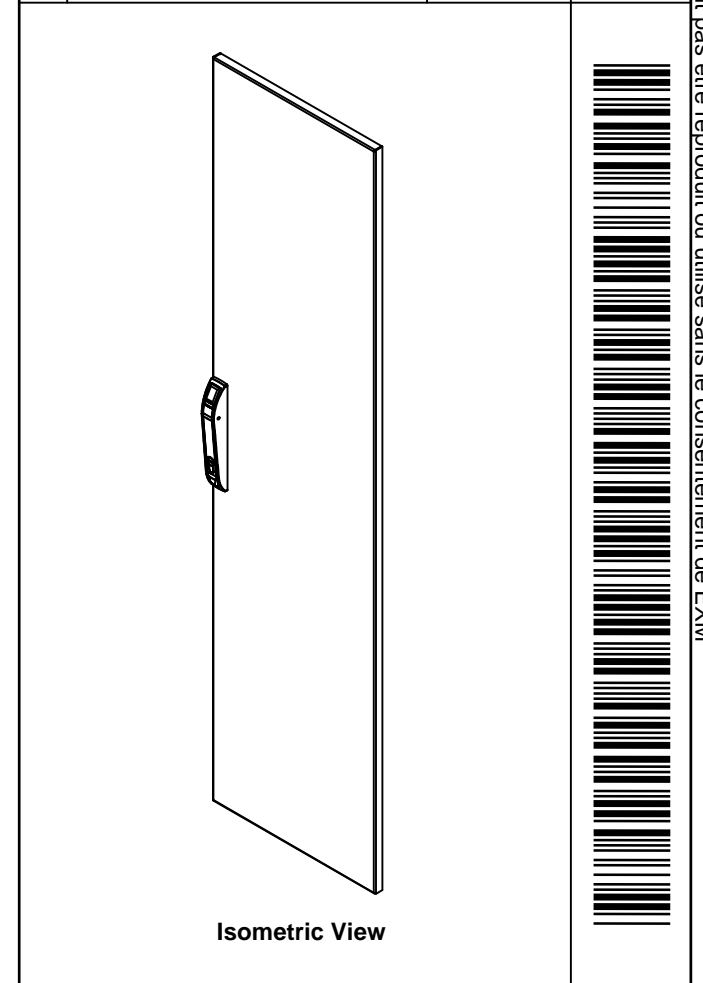


	Description	Status	
	6500 MXD 1600mm x 400mm Front	(NULL)	
	Part Number Numéro Pièce	Rev.	
	<b>6500MXK160404F</b>	<b>0</b>	2 3


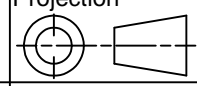
This drawing is confidential and must not be reproduced or used without the consent of EXM

Ce dessin est confidentiel et ne doit pas être reproduit ou utilisé sans le consentement de EXM

No.	Revisions	Date	By/Par



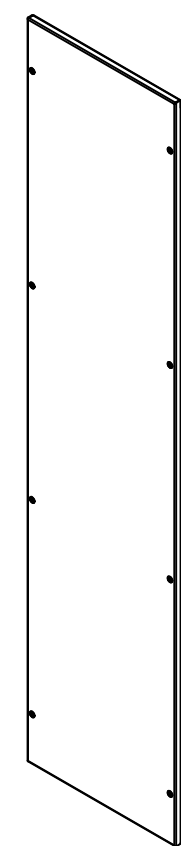
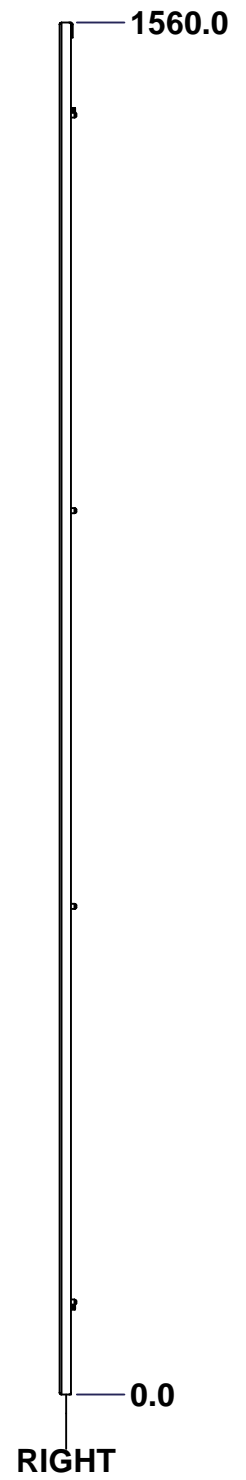
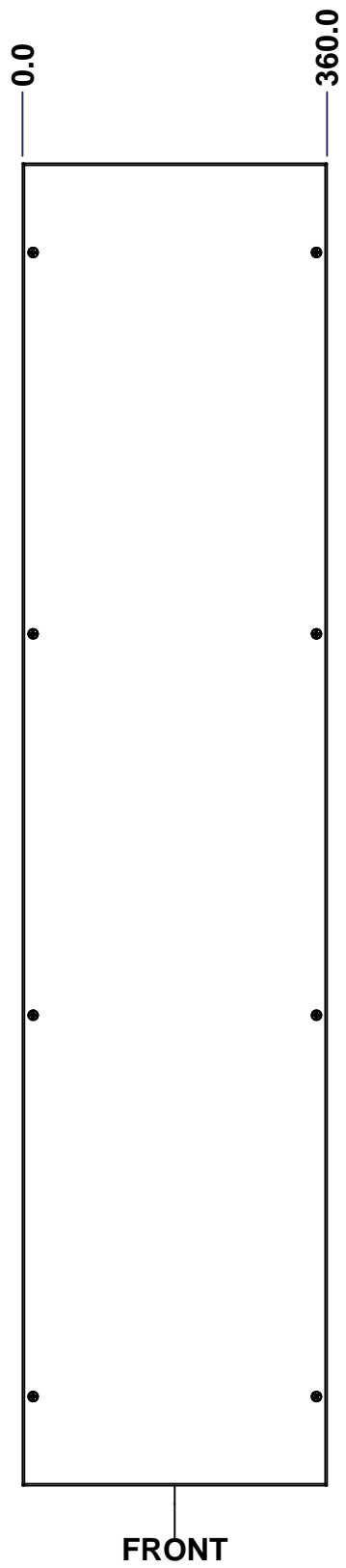
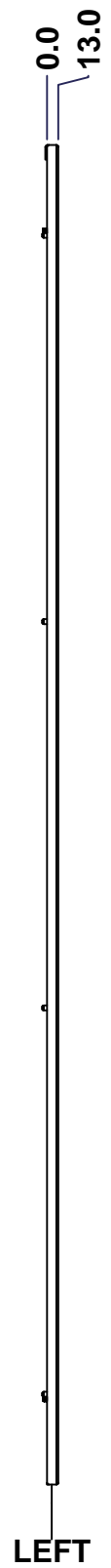
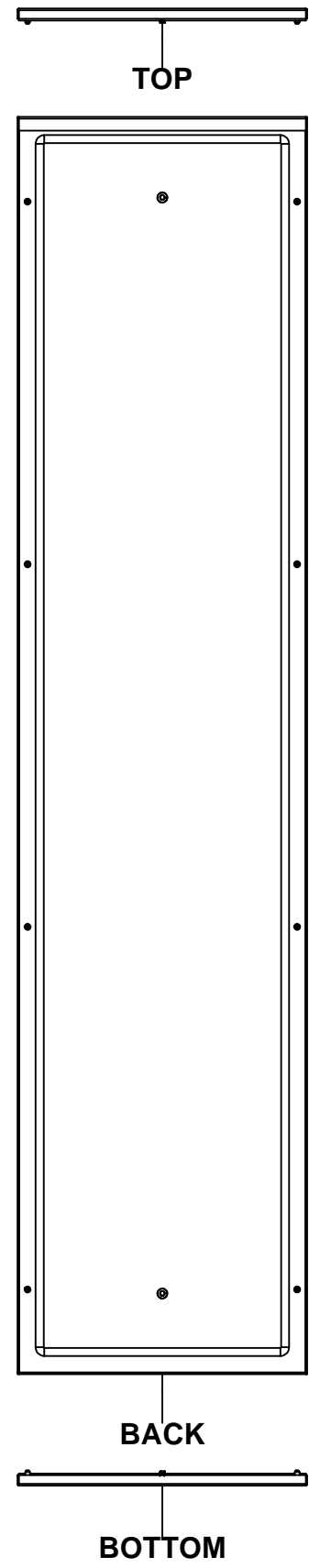
1	STK-P-03820R	0	Powder Paint (Light Grey / Rough Textured)
1	6500MXSRK	1	6500 MXRSK Door Support Roller
4	STK-Q-78022	0	Mtrx Closing Bar Slider
1	STK-Q-45746-16	1	6500 MXD - Lock Door Closing Bar
4	STK-Q-33105	4	5412 ESBU Buttable Hinge (Cover Part)
1	STK-Q-45729-16	2	6500 MXD - Lock Door Top Closing Bar
1	886PHD-S	4	Euroform Pull Handle Kit
8	STK-Q-16055	1	M6 x 18mm Stud (No Paint Cap Required)
1	6500MXK160404DS1	5	6500 MX 1600mm x 400mm Door Stiffener
1	6500MXK160404FG	0	6500 MXD 1600mm x 400mm Front Gasket
1	6500MXK160404F-P	0	6500 MXD 1600mm x 400mm Front Part
4	STK-K-06811	1	6500 MX - Hinge Assy
Qty	Part Number	Rev	Description
Parts List			

 Tél: (450) 979-4373 Fax: (450) 979-4626 <a href="http://www.exmweb.com">www.exmweb.com</a>		Flatness Aplatissement Max 3.0mm Projection 
Customer Client	Date	Date 01/02/2015
Drawn By Dessiné Par	BoxCad: Annie	
Material Matière	14 Ga H.R.P. & O. (1.7mm)	
Color Couleur	Light Grey RAL7035	Finish Fini Rough Textured
Description	6500 MXD 1600mm x 400mm Front	
Part Number Numéro Pièce	Rev. 0	3
<b>6500MXK160404F</b>		3



This drawing is confidential and must not be reproduced or used without the consent of EXM


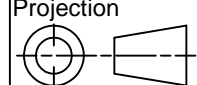
Ce dessin est confidentiel et ne doit pas être reproduit ou utilisé sans le consentement de EXM



Isometric View



No.	Revisions	Date	By/Par

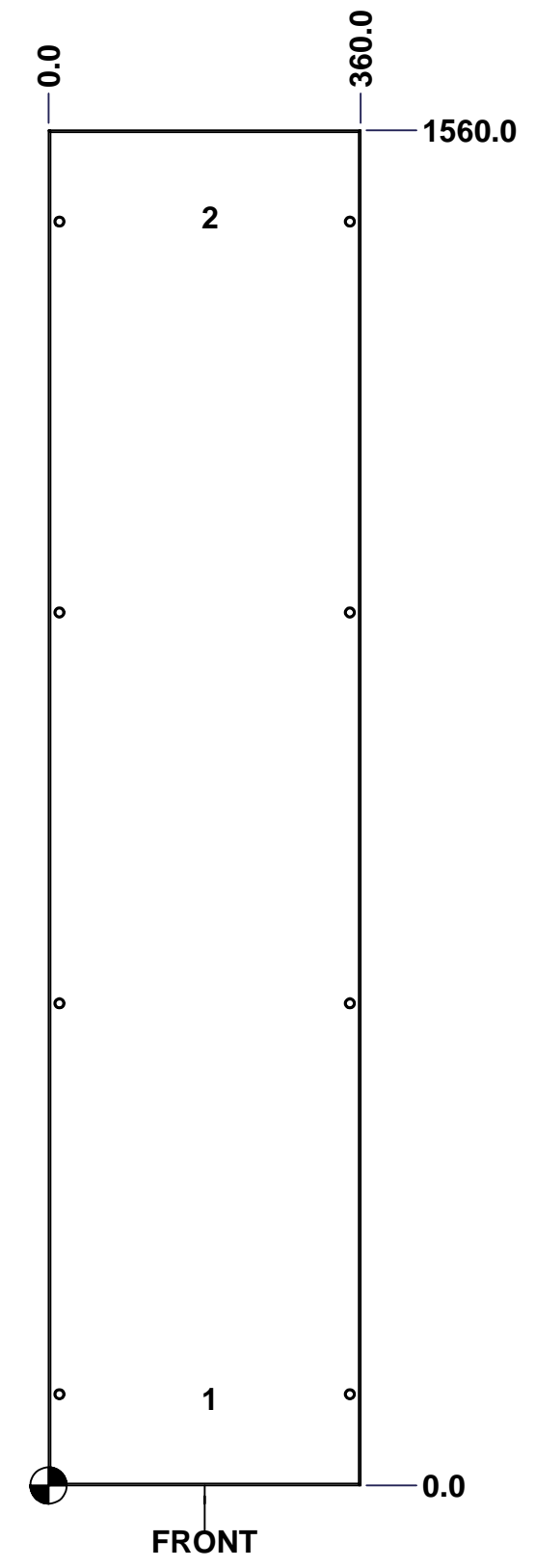
 Tél: (450) 979-4373 Fax: (450) 979-4626 <a href="http://www.exmweb.com">www.exmweb.com</a>		Flatness Aplatissement Max 3.0mm Projection 
Customer Client	Date	
Drawn By Dessiné Par	BoxCad: Annie	Date 01/02/2015
Material Matière	16 Ga H.R.P. & O. (1.4mm)	
Color Couleur	Light Grey RAL7035	Finish Fini
Description		Detail Rev.
6500 MXC 1600mm x 400mm Left		
Part Number Numéro Pièce	Rev.	
<b>6500MXK160404L</b>	<b>0</b>	1 / 3

SEE BILL OF MATERIAL ON LAST PAGE

This drawing is confidential and must not be reproduced or used without the consent of EXM

Ce dessin est confidentiel et ne doit pas être reproduit ou utilisé sans le consentement de EXM

STANDARD FEATURES ARE NOT LISTED IN THIS HOLE TABLE			
HOLE TABLE - FRONT VIEW (CUSTOM FEATURE ONLY)			
CUT-OUT	XDIM	YDIM	DESCRIPTION
1	180.0	100.0	GND STUD M6 x 16mm (Inside)
2	180.0	1460.0	GND STUD M6 x 16mm (Inside)

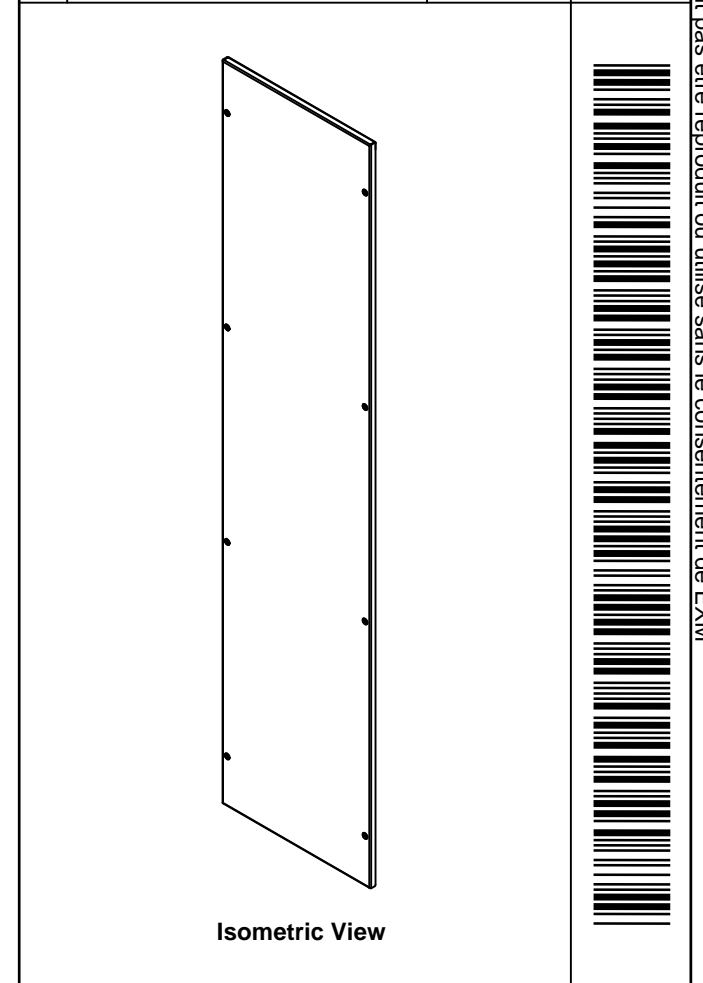


	Description	Status	
	6500 MXC 1600mm x 400mm Left	(NULL)	
	Part Number Numéro Pièce	Rev.	
	<b>6500MXK160404L</b>	<b>0</b>	2 3

This drawing is confidential and must not be reproduced or used without the consent of EXM

Ce dessin est confidentiel et ne doit pas être reproduit ou utilisé sans le consentement de EXM

No.	Revisions	Date	By/Par



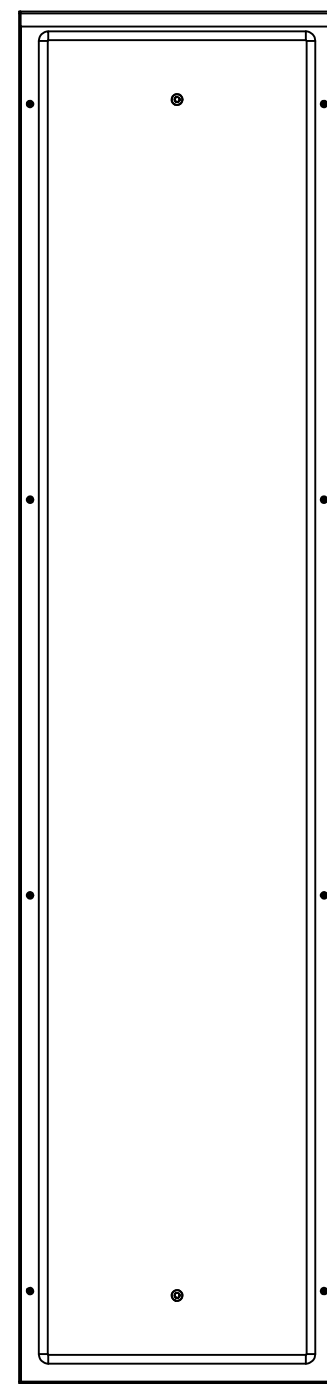
Tél: (450) 979-4373 Fax: (450) 979-4626 <a href="http://www.exmweb.com">www.exmweb.com</a>		Flatness Aplatissement	
		Max 3.0mm Projection	
Customer Client		Date	
Drawn By Dessiné Par BoxCad: Annie		Date 01/02/2015	
Material Matière 16 Ga H.R.P. & O. (1.4mm)			
Color Couleur Light Grey RAL7035		Finish Fini Rough Textured	
Description 6500 MXC 1600mm x 400mm Left			Detail Rev.
Part Number Numéro Pièce <b>6500MXK160404L</b>			Rev. 3

Qty	Part Number	Rev	Description
1	STK-P-03820R	0	Powder Paint (Light Grey / Rough Textured)
8	STK-Q-03072	2	M6 x 17mm Phillips Flat Head Screw
2	STK-Q-16080	0.1.1	M6 x 16mm Ground Stud
1	6500MXK160404LG	0	6500 MXC 1600mm x 400mm Left Gasket
1	6500MXK160404L-P	0	6500 MXC 1600mm x 400mm Left Part
Parts List			

This drawing is confidential and must not be reproduced or used without the consent of EXM

Ce dessin est confidentiel et ne doit pas être reproduit ou utilisé sans le consentement de EXM

TOP



BACK



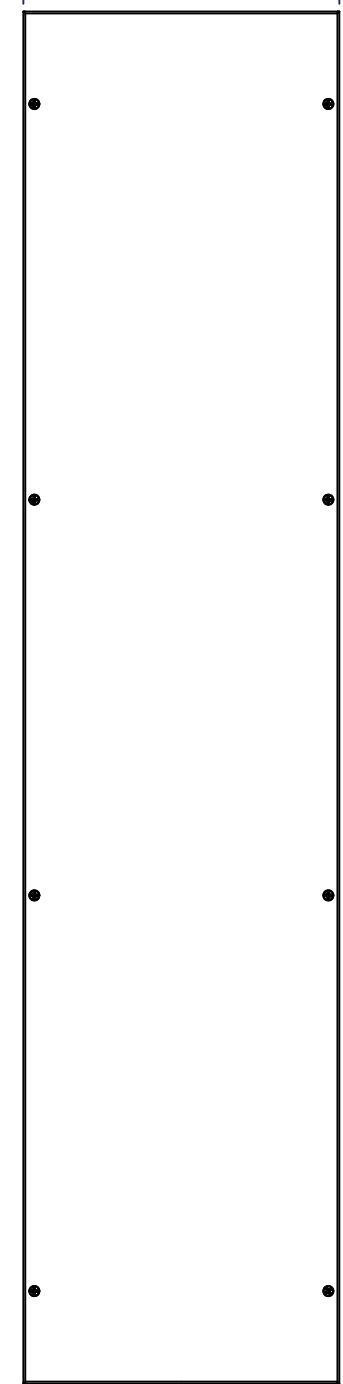
BOTTOM

0.0  
13.0



LEFT

360.0  
0.0



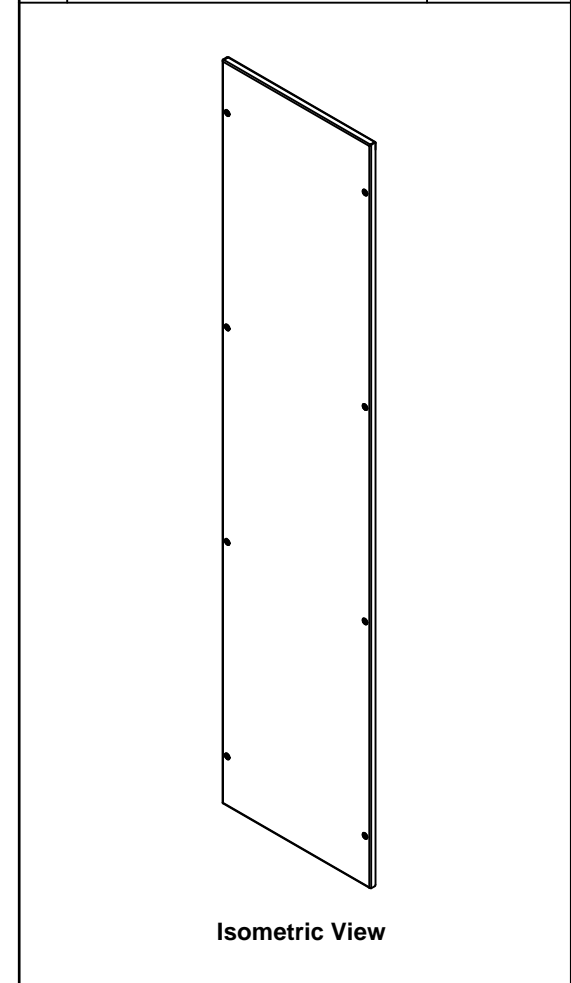
FRONT

1560.0



RIGHT

No.	Revisions	Date	By/Par



Isometric View



Tél: (450) 979-4373  
Fax: (450) 979-4626  
[www.exmweb.com](http://www.exmweb.com)

Flatness  
Aplatissement  
Max 3.0mm  
Projection

Customer Client	Date
Drawn By / Dessiné Par: BoxCad: Annie	Date: 01/02/2015
Material / Matière: 16 Ga H.R.P. & O. (1.4mm)	

Color / Couleur: Light Grey RAL7035	Finish / Fini: Rough Textured
-------------------------------------	-------------------------------

Description: 6500 MXC 1600mm x 400mm Right	Detail Rev.
--	-------------

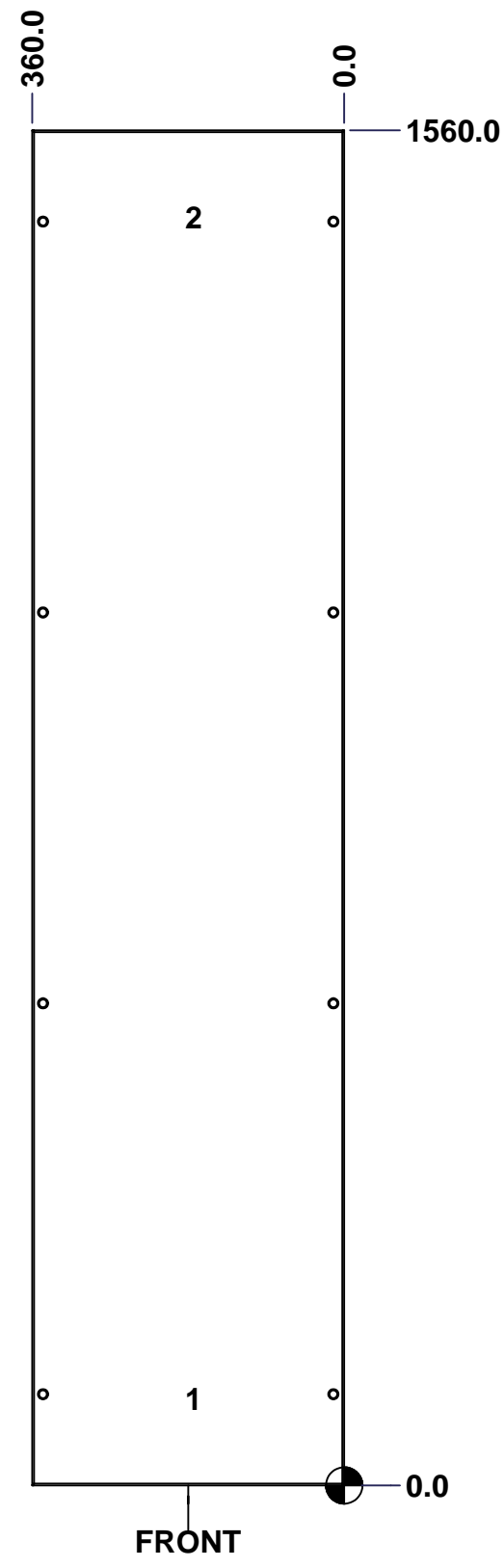
Part Number / Numéro Pièce: <b>6500MXK160404R</b>	Rev. 0	1 / 3
---	--------	-------

SEE BILL OF MATERIAL ON LAST PAGE

This drawing is confidential and must not be reproduced or used without the consent of EXM

Ce dessin est confidentiel et ne doit pas être reproduit ou utilisé sans le consentement de EXM

STANDARD FEATURES ARE NOT LISTED IN THIS HOLE TABLE			
HOLE TABLE - FRONT VIEW (CUSTOM FEATURE ONLY)			
CUT-OUT	XDIM	YDIM	DESCRIPTION
1	180.0	100.0	GND STUD M6 x 16mm (Inside)
2	180.0	1460.0	GND STUD M6 x 16mm (Inside)

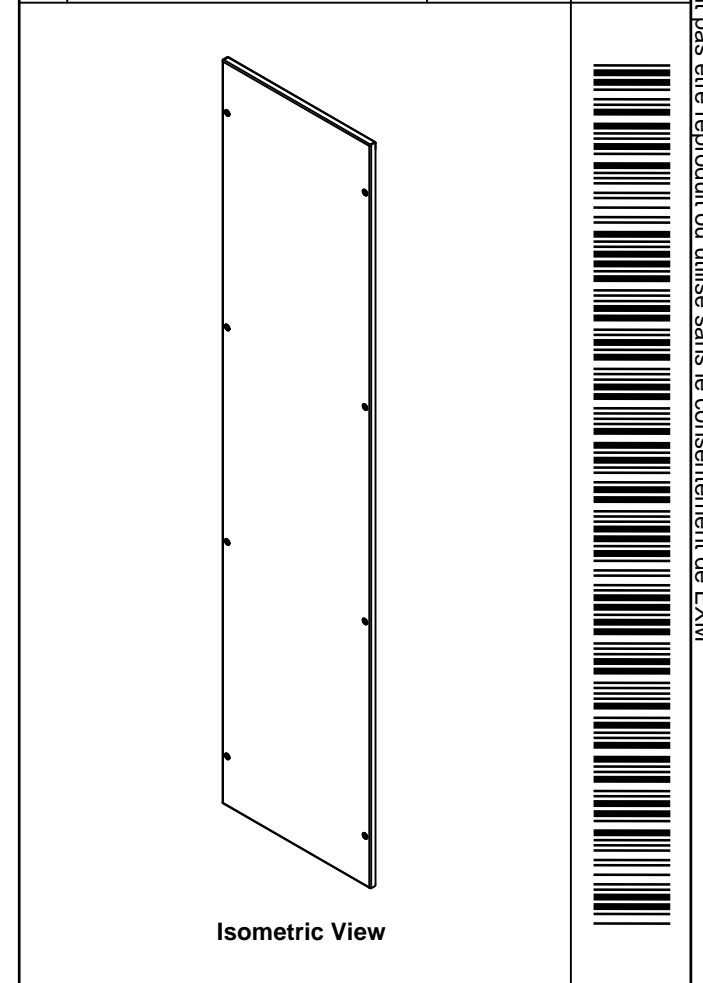


	Description	Status
	6500 MXC 1600mm x 400mm Right	(NULL)
	Part Number Numéro Pièce	Rev.
	<b>6500MXK160404R</b>	<b>0</b>
		2
		3

This drawing is confidential and must not be reproduced or used without the consent of EXM

Ce dessin est confidentiel et ne doit pas être reproduit ou utilisé sans le consentement de EXM

No.	Revisions	Date	By/Par

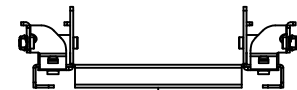


Tél: (450) 979-4373 Fax: (450) 979-4626 <a href="http://www.exmweb.com">www.exmweb.com</a>		Flatness Aplatissement	
		Max 3.0mm Projection	
Customer Client		Date	
Drawn By Dessiné Par BoxCad: Annie		Date 01/02/2015	
Material Matière 16 Ga H.R.P. & O. (1.4mm)			
Color Couleur Light Grey RAL7035		Finish Fini Rough Textured	
Description 6500 MXC 1600mm x 400mm Right			Detail Rev.
Part Number Numéro Pièce <b>6500MXK160404R</b>		Rev. <b>0</b>	3 3

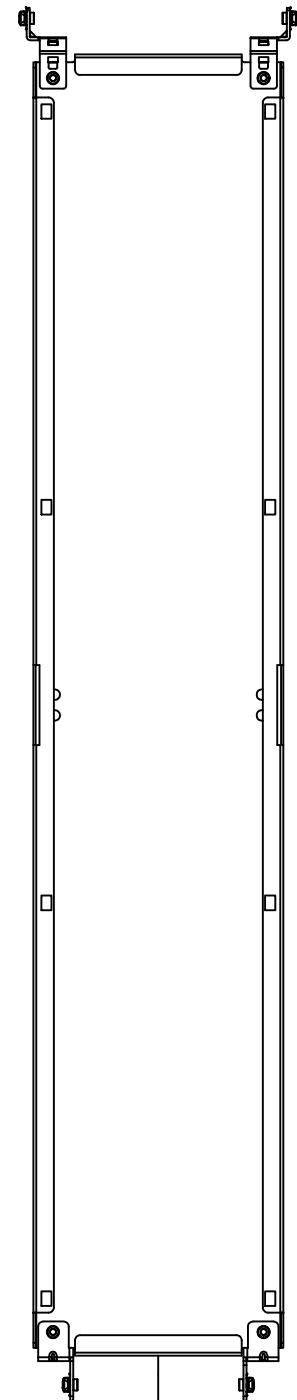
Qty	Part Number	Rev	Description
1	STK-P-03820R	0	Powder Paint (Light Grey / Rough Textured)
8	STK-Q-03072	2	M6 x 17mm Phillips Flat Head Screw
2	STK-Q-16080	0.1.1	M6 x 16mm Ground Stud
1	6500MXK160404RG	0	6500 MXC 1600mm x 400mm Right Gasket
1	6500MXK160404R-P	0	6500 MXC 1600mm x 400mm Right Part
Parts List			

This drawing is confidential and must not be reproduced or used without the consent of EXM

Ce dessin est confidentiel et ne doit pas être reproduit ou utilisé sans le consentement de EXM



TOP

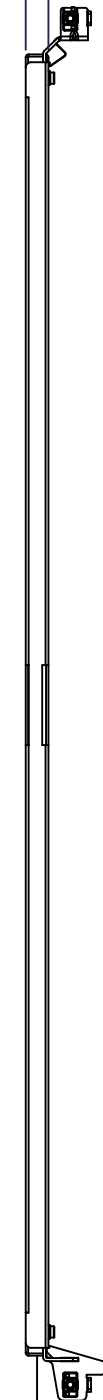


BACK



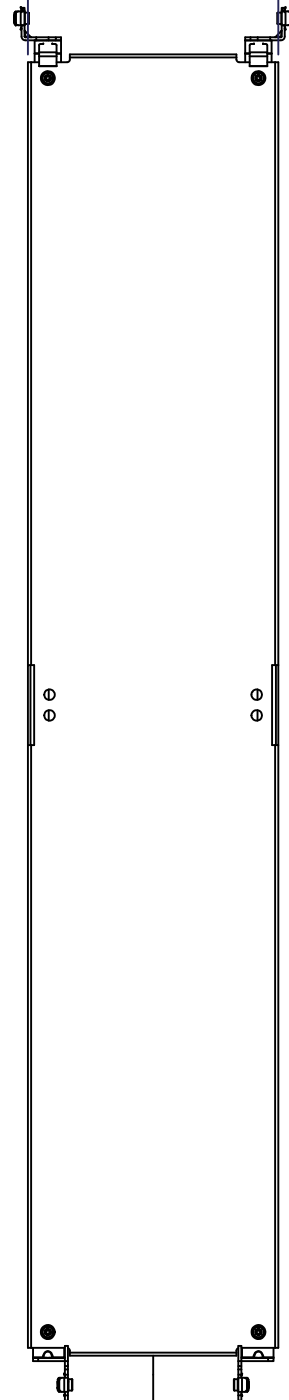
BOTTOM

0.0  
26.0



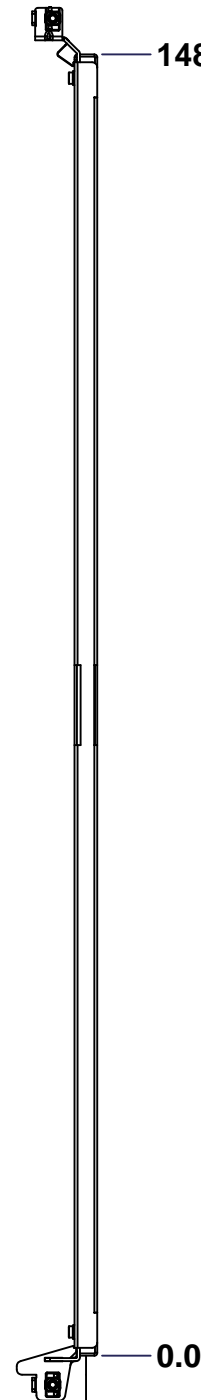
LEFT

0.0  
285.0



FRONT

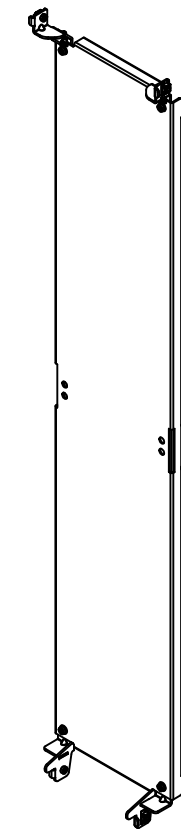
1480.0



RIGHT

0.0

No.	Revisions	Date	By/Par



Isometric View

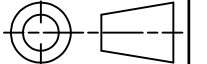


Tél: (450) 979-4373  
Fax: (450) 979-4626  
[www.exmweb.com](http://www.exmweb.com)

Flatness  
Aplatissement

Max 3.0mm

Projection



Customer Client	Date
Drawn By / Dessiné Par: BoxCad: Annie	Date: 01/02/2015

Material / Matière: 12 Ga Galvanized (2.5mm)

Color / Couleur: Unpainted      Finish / Fini: Unpainted

Description: 6500 MXM 1600mm x 400mm Back Inner Panel  
Detail Rev.

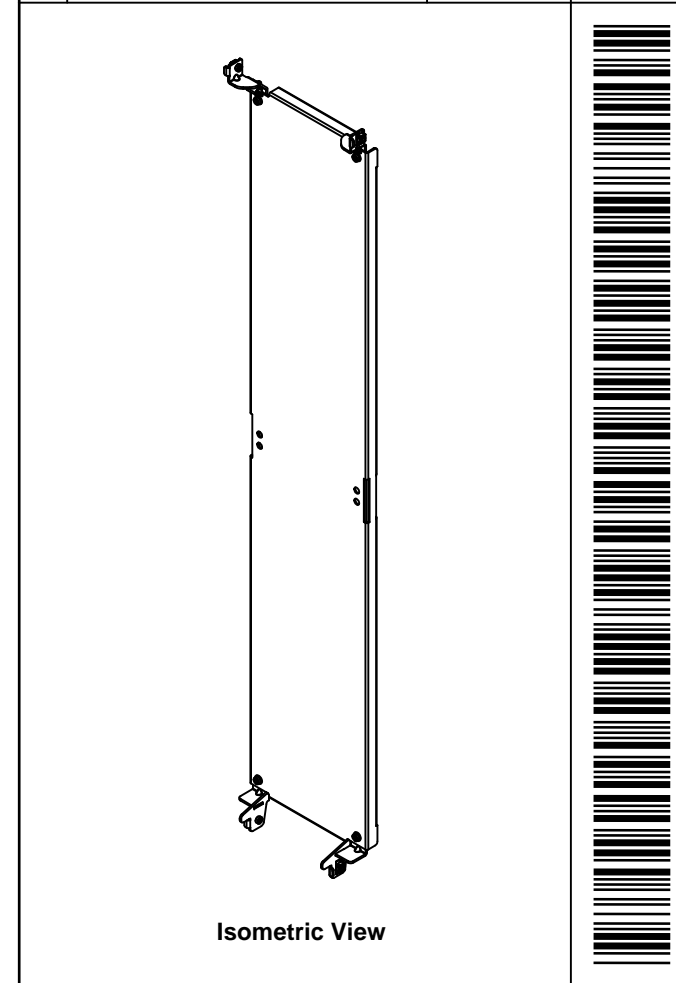
Part Number / Numéro Pièce: 6500MXK160404BIP	Rev. 0	1 / 3
--	--------	-------

SEE BILL OF MATERIAL ON LAST PAGE

This drawing is confidential and must not be reproduced or used without the consent of EXM

Ce dessin est confidentiel et ne doit pas être reproduit ou utilisé sans le consentement de EXM

No.	Revisions	Date	By/Par



Tél: (450) 979-4373 Fax: (450) 979-4626 <a href="http://www.exmweb.com">www.exmweb.com</a>		Flatness Aplatissement	
		Max 3.0mm	
Customer Client		Date	
Drawn By Dessiné Par		Date	
BoxCad: Annie		01/02/2015	
Material Matière			
12 Ga Galvanized (2.5mm)			
Color Couleur		Finish Fini	
Unpainted		Unpainted	
Description			Detail Rev.
6500 MXM 1600mm x 400mm Back Inner Panel			
Part Number Numéro Pièce		Rev.	3
<b>6500MXK160404BIP</b>		<b>0</b>	<b>3</b>

Qty	Part Number	Rev	Description
1	STK-A-49005	0	6500MXM - Bottom Inner Panel Support Kit (Right)
1	STK-A-49000	0	6500MXM - Bottom Inner Panel Support Kit (Left)
1	STK-A-49015	0	6500MXM - Top Inner Panel Support Kit (Right)
1	STK-A-49010	0	6500MXM - Top Inner Panel Support Kit (Left)
1	6500MXK160404BIP-P	0	6500 MXM 1600mm x 400mm Back Inner Panel Part
Parts List			