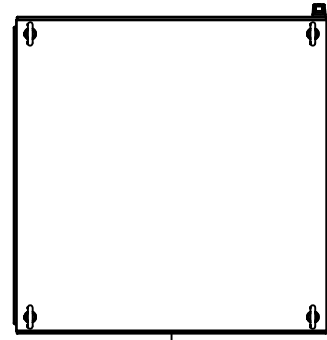
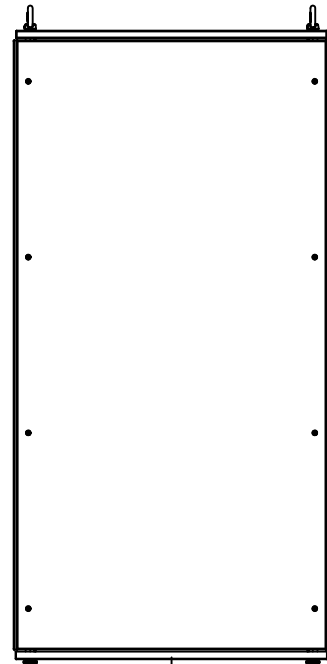


This drawing is confidential and must not be reproduced or used without the consent of EXM

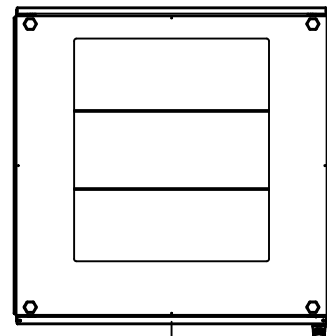
Ce dessin est confidentiel et ne doit pas être reproduit ou utilisé sans le consentement de EXM



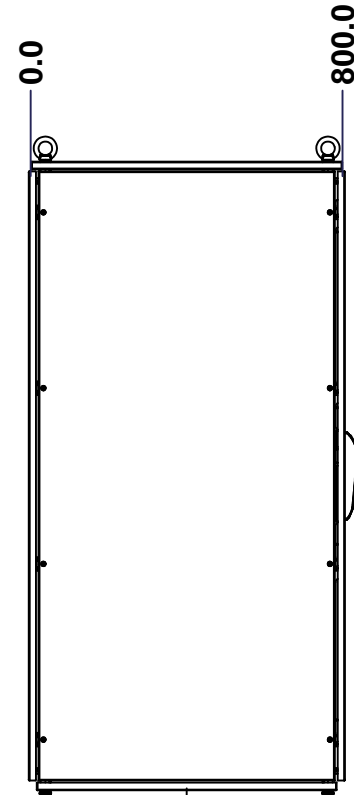
TOP



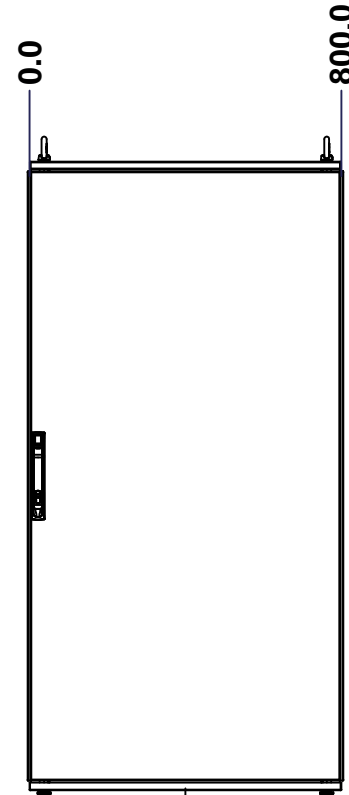
BACK



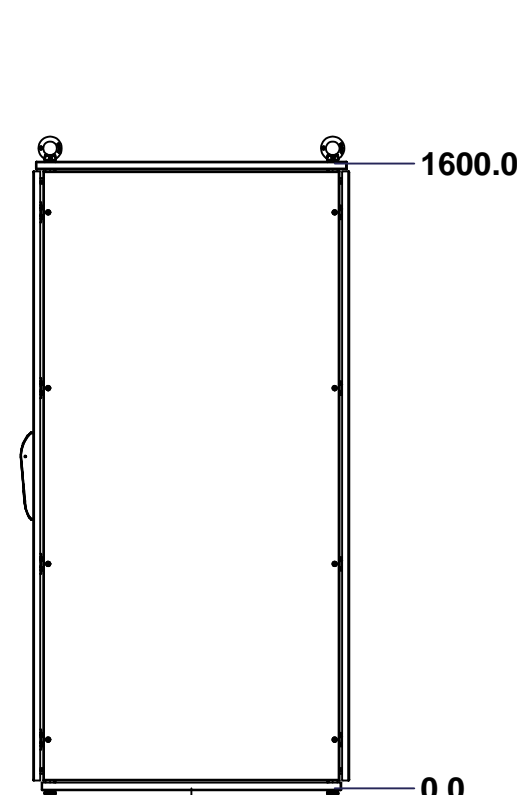
BOTTOM



LEFT

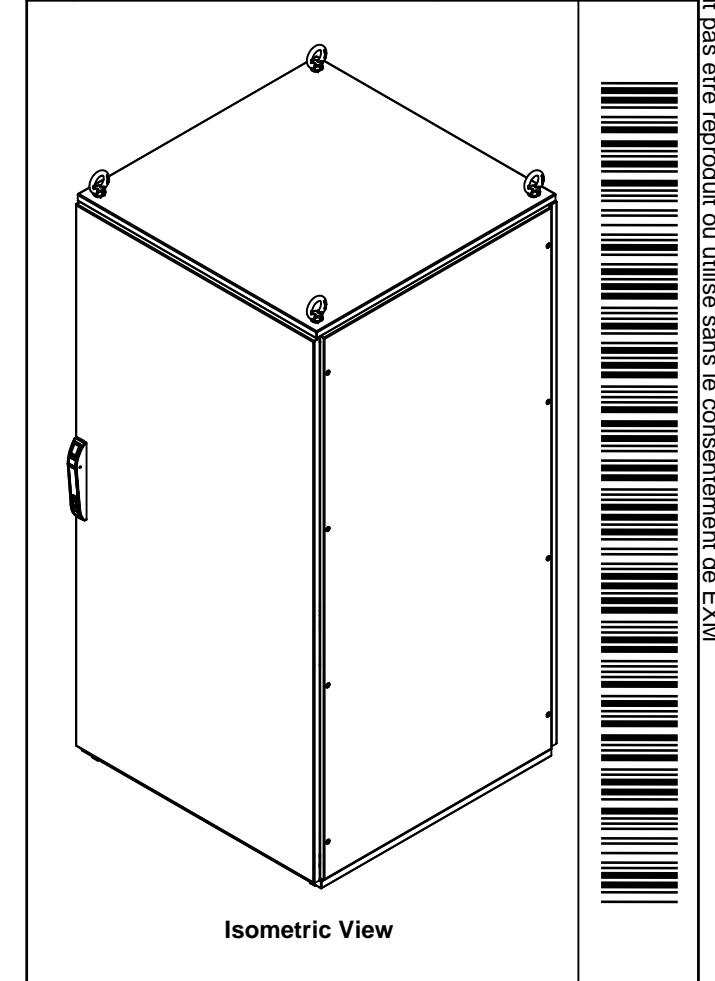


FRONT


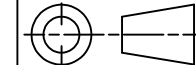


RIGHT

No.	Revisions	Date	By/Par



Isometric View

 Tél: (450) 979-4373 Fax: (450) 979-4626 www.exmweb.com		Flatness Aplatissement Max 3.0mm Projection 
Customer Client	Date	Date
Drawn By Dessiné Par	BoxCad: Annie	Date 04/02/2015
Material Matière	See Part List	
Color Couleur	See Part List	Finish Finis See Part List
Description 6500MX 1600mm x 800mm x 800mm Assembly	Detail Rev.	
Part Number Numéro Pièce	Rev. 0	1 2

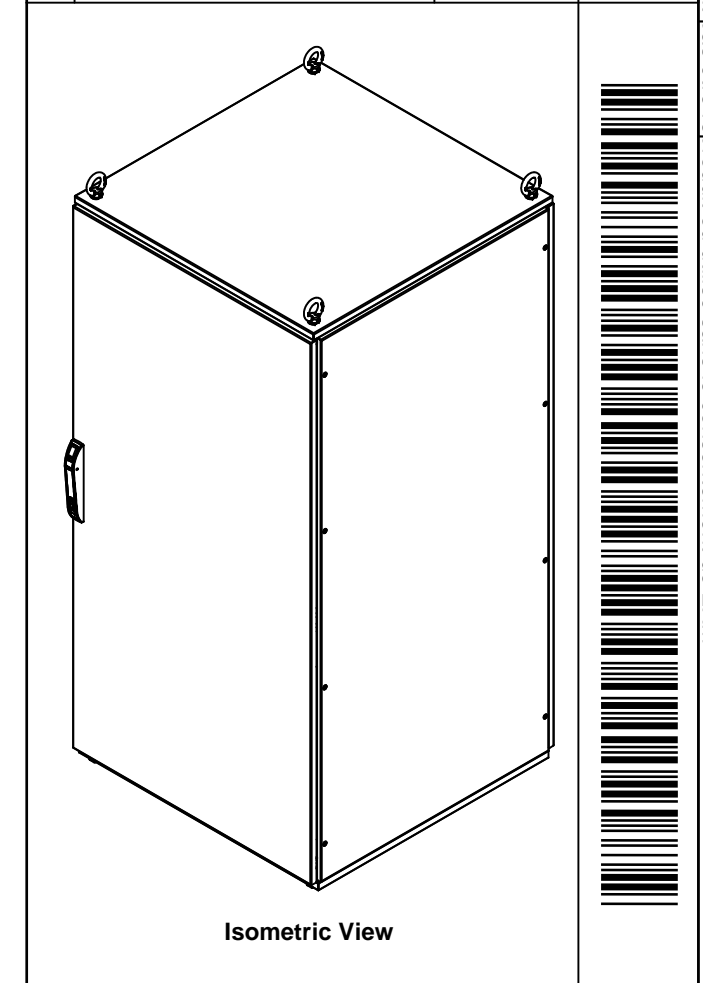
SEE BILL OF MATERIAL ON LAST PAGE

6500MXK160808

This drawing is confidential and must not be reproduced or used without the consent of EXM

Ce dessin est confidentiel et ne doit pas être reproduit ou utilisé sans le consentement de EXM

No.	Revisions	Date	By/Par

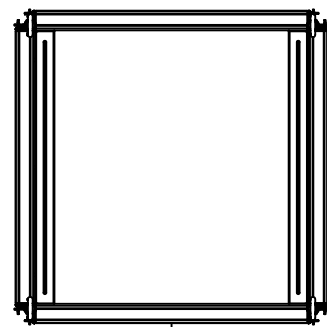


Tél: (450) 979-4373 Fax: (450) 979-4626 www.exmweb.com		Flatness Aplatissement
		Max 3.0mm
Projection 		Date
Customer Client		Date
Drawn By Dessiné Par BoxCad: Annie		Date 04/02/2015
Material Matière See Part List		
Color Couleur See Part List	Finish Finis See Part List	Detail Rev.
Description 6500MX 1600mm x 800mm x 800mm Assembly		Rev. 2
Part Number Numéro Pièce 6500MXK160808		0

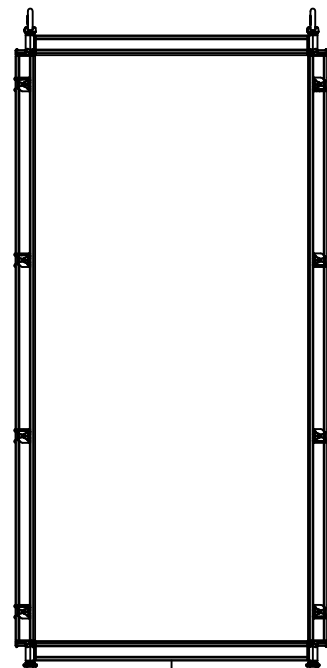
Qty	Part Number	Rev	Description
1	6500MXK160808BIP	0	6500 MXM 1600mm x 800mm Back Inner Panel
1	6500MXK160808R	0	6500 MXC 1600mm x 800mm Right
1	6500MXK160808L	0	6500 MXC 1600mm x 800mm Left
1	6500MXK160808F	0	6500 MXD 1600mm x 800mm Front
1	6500MXK160808B	0	6500 MXR 1600mm x 800mm Back
1	6500MXK160808BT	0	6500 MXB 800mm x 800mm Bottom
1	6500MXK160808T	0	6500 MXT 800mm x 800mm Top
1	6500MXK160808FR	0	6500 MX 1600mm x 800mm x 800mm Frame
Parts List			

This drawing is confidential and must not be reproduced or used without the consent of EXM

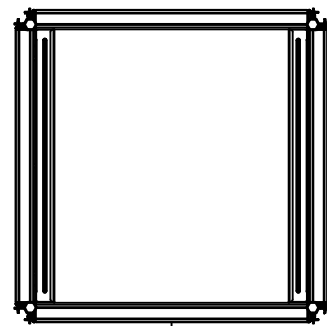
Ce dessin est confidentiel et ne doit pas être reproduit ou utilisé sans le consentement de EXM



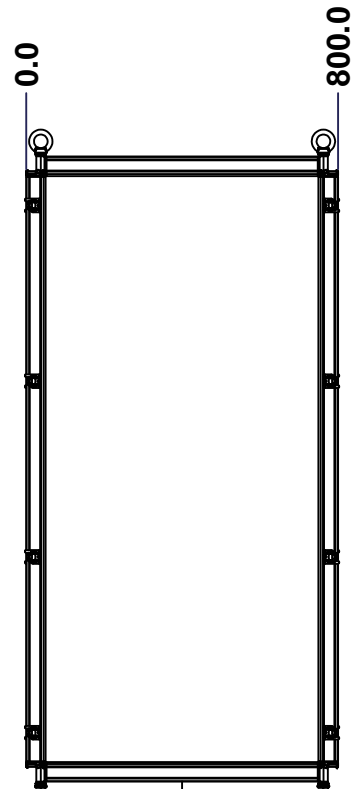
TOP



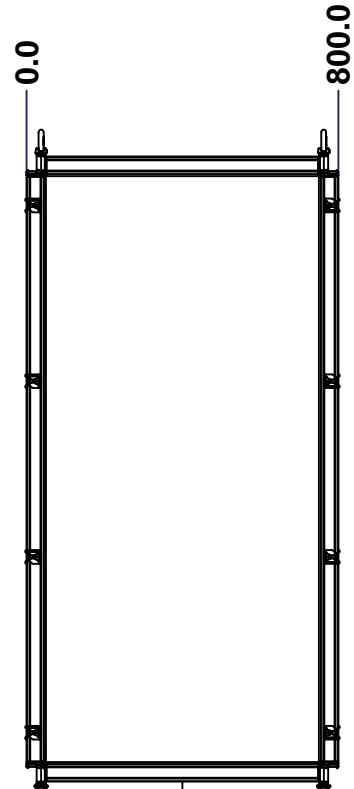
BACK



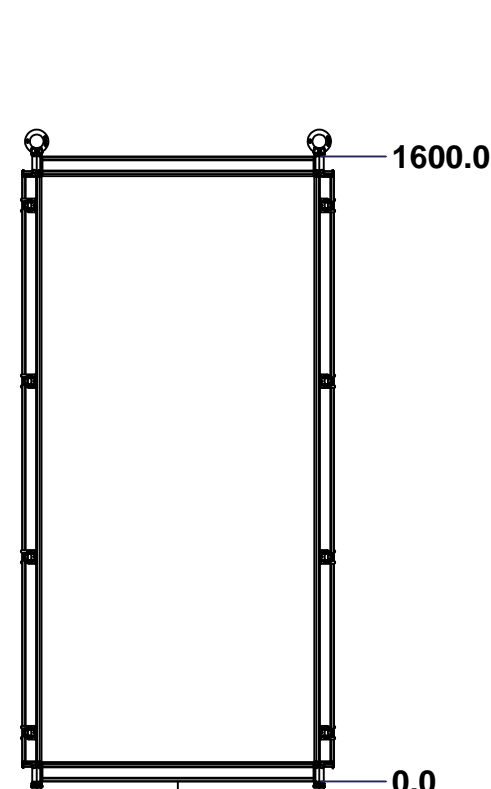
BOTTOM



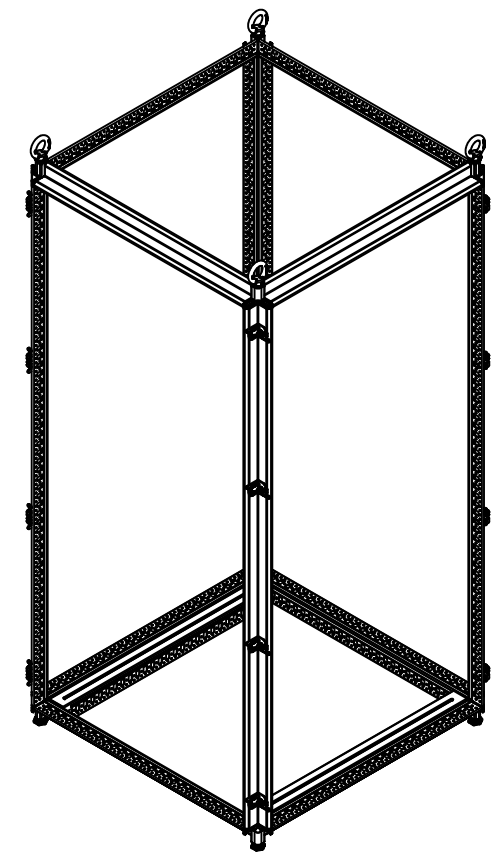
LEFT



FRONT




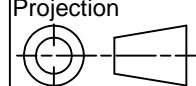
RIGHT



Isometric View



No.	Revisions	Date	By/Par

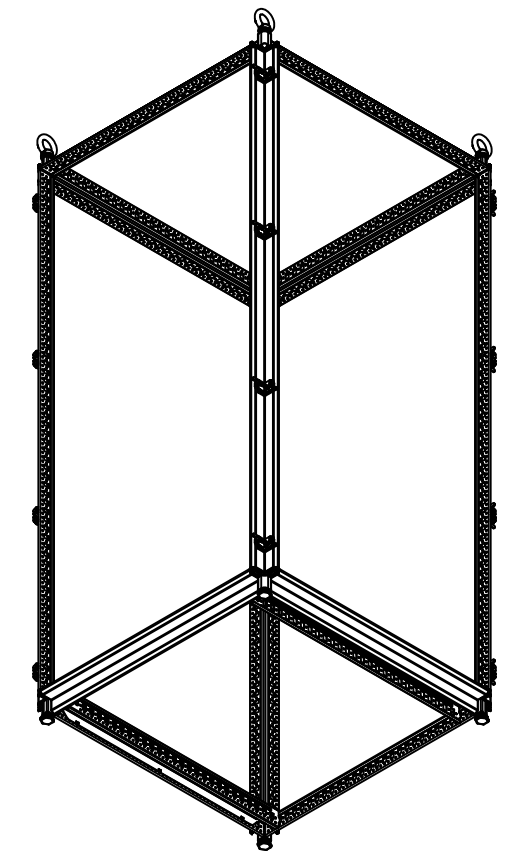
 Tél: (450) 979-4373 Fax: (450) 979-4626 www.exmweb.com		Flatness Aplatissement Max 3.0mm Projection 
Customer Client	Date	
Drawn By / Dessiné Par: BoxCad: Annie	Date: 04/02/2015	
Material / Matière: 16 Ga Electro-Galvanized (1.4mm)		
Color / Couleur: Iron Grey RAL7011	Finish / Fini: Rough / Textured	
Description: 6500 MX 1600mm x 800mm x 800mm Frame	Detail Rev.	
Part Number / Numéro Pièce: 6500MXK160808FR	Rev. 0	1 / 2

SEE BILL OF MATERIAL ON LAST PAGE

This drawing is confidential and must not be reproduced or used without the consent of EXM

Ce dessin est confidentiel et ne doit pas être reproduit ou utilisé sans le consentement de EXM

No.	Revisions	Date	By/Par



Isometric View

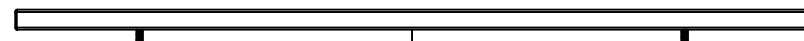


Qty	Part Number	Rev	Description
1	STK-P-03810R	0	Powder Paint (Iron Grey / Rough Textured)
1	STK-Q-49065	3	6500 MXM Inner Panel Slider 800mm
1	STK-Q-49065-L	3	6500 MXM Inner Panel Slider 800mm
4	STK-Q-49500	3	M12 Eye Bolt (0.34T)
4	STK-Q-61110	0	M12 Feet Leveler
8	STK-Q-00610	1	M18 x 30.5mm Bolt - Cover
4	STK-Q-47251-16	3	6500 MX 1600mm Vertical Frame Post Part
8	STK-Q-49445	2	6500 MX - Frame Corner Bracket Casting
16	STK-K-11001	2	3 Way Fixed Bracket Kit
8	STK-Q-47250-08	3	6500 MX 800mm Horizontal Frame Post Part
Parts List			

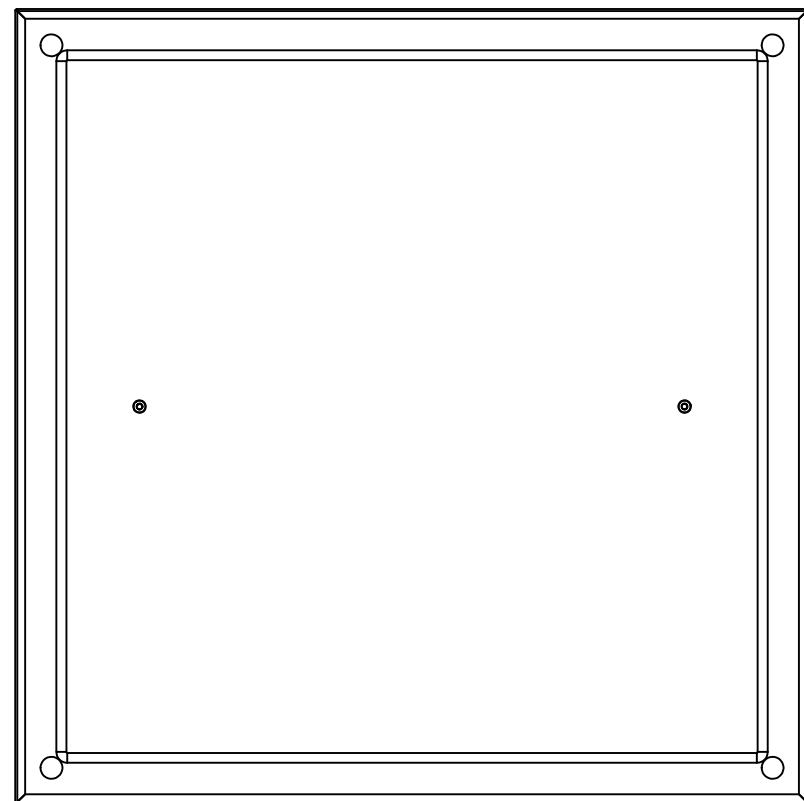
		Tél: (450) 979-4373 Fax: (450) 979-4626 www.exmweb.com		Flatness Aplatissement Max 3.0mm
Customer Client		Date		Projection
Drawn By Dessiné Par BoxCad: Annie		Date 04/02/2015		
Material Matière		16 Ga Electro-Galvanized (1.4mm)		
Color Couleur Iron Grey RAL7011		Finish Fini Rough Textured		
Description 6500 MX 1600mm x 800mm x 800mm Frame				Detail Rev.
Part Number Numéro Pièce 6500MXK160808FR			Rev. 0	2 / 2

This drawing is confidential and must not be reproduced or used without the consent of EXM

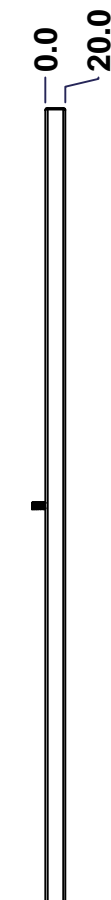
Ce dessin est confidentiel et ne doit pas être reproduit ou utilisé sans le consentement de EXM



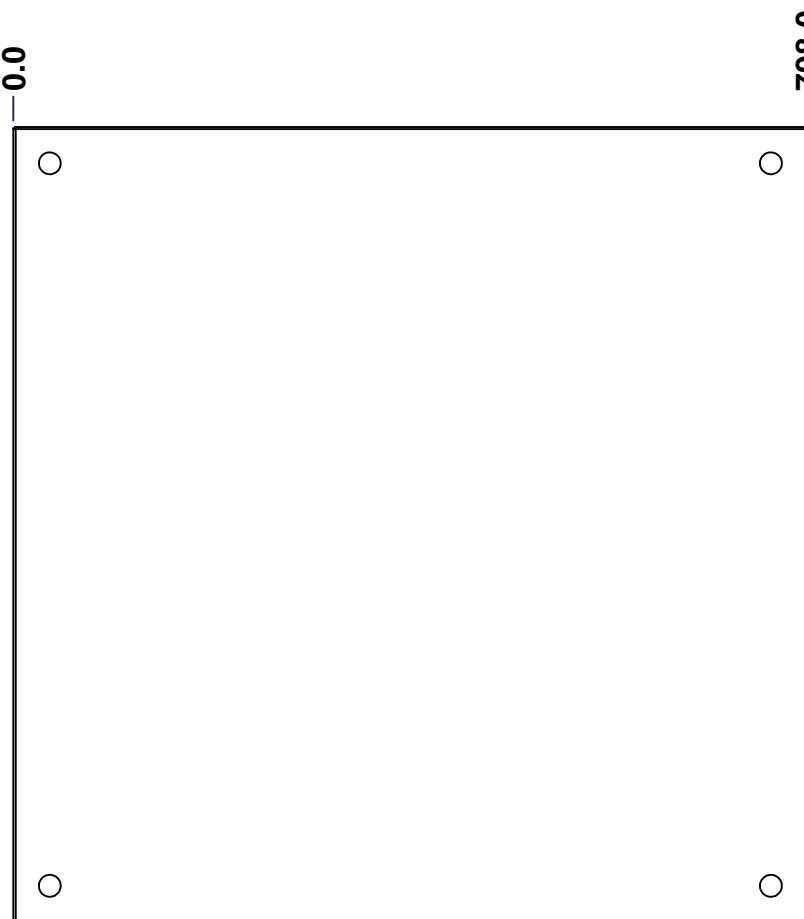
TOP



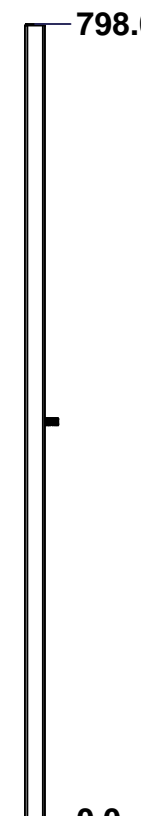
BACK



LEFT



FRONT

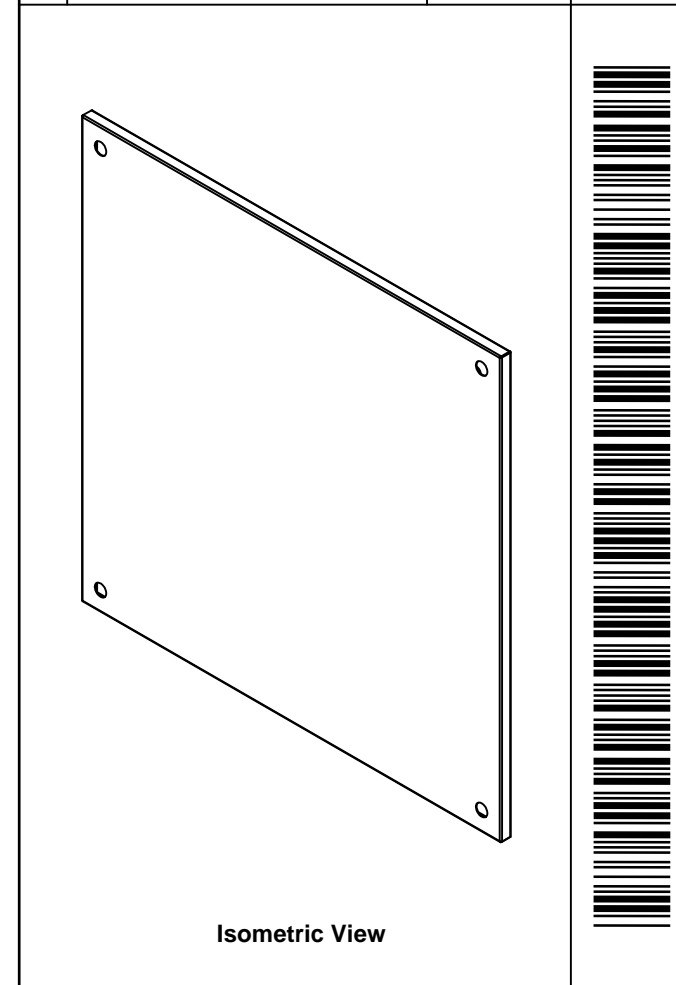


RIGHT


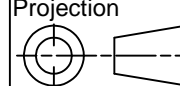


BOTTOM

No.	Revisions	Date	By/Par



Isometric View

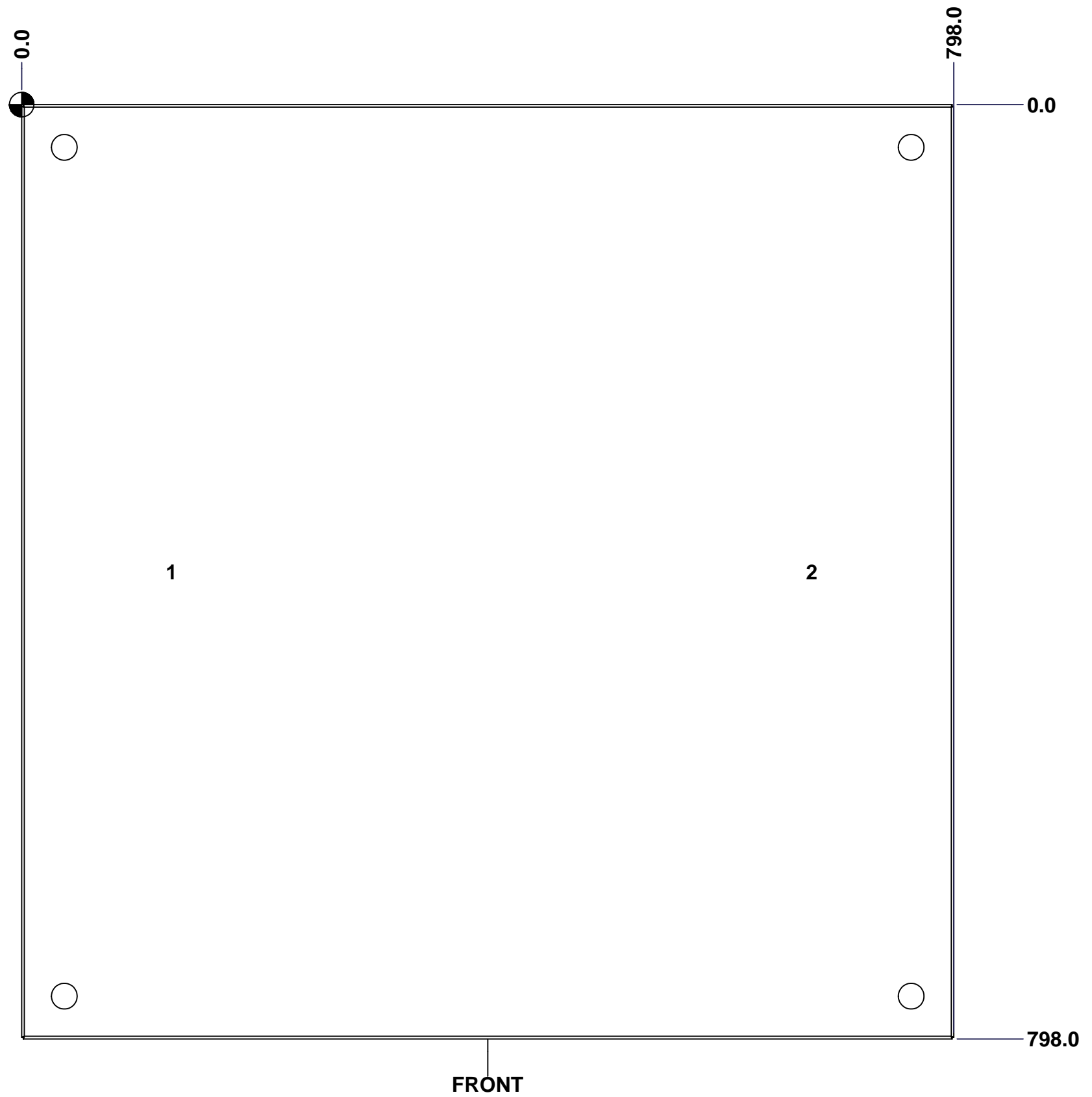
 Tél: (450) 979-4373 Fax: (450) 979-4626 www.exmweb.com		Flatness Aplatissement Max 3.0mm Projection 
Customer Client	Date	
Drawn By / Dessiné Par: BoxCad: Annie	Date: 04/02/2015	
Material / Matière: 16 Ga H.R.P. & O. (1.4mm)		
Color / Couleur: Iron Grey RAL7011	Finish / Fini: Rough / Textured	
Description: 6500 MXT 800mm x 800mm Top		Detail Rev.
Part Number / Numéro Pièce: 6500MXK160808T	Rev. 0	1 / 3

SEE BILL OF MATERIAL ON LAST PAGE

This drawing is confidential and must not be reproduced or used without the consent of EXM

Ce dessin est confidentiel et ne doit pas être reproduit ou utilisé sans le consentement de EXM

STANDARD FEATURES ARE NOT LISTED IN THIS HOLE TABLE			
HOLE TABLE - FRONT VIEW (CUSTOM FEATURE ONLY)			
CUT-OUT	XDIM	YDIM	DESCRIPTION
1	125.0	399.0	GND STUD M6 x 16mm (Inside)
2	673.0	399.0	GND STUD M6 x 16mm (Inside)

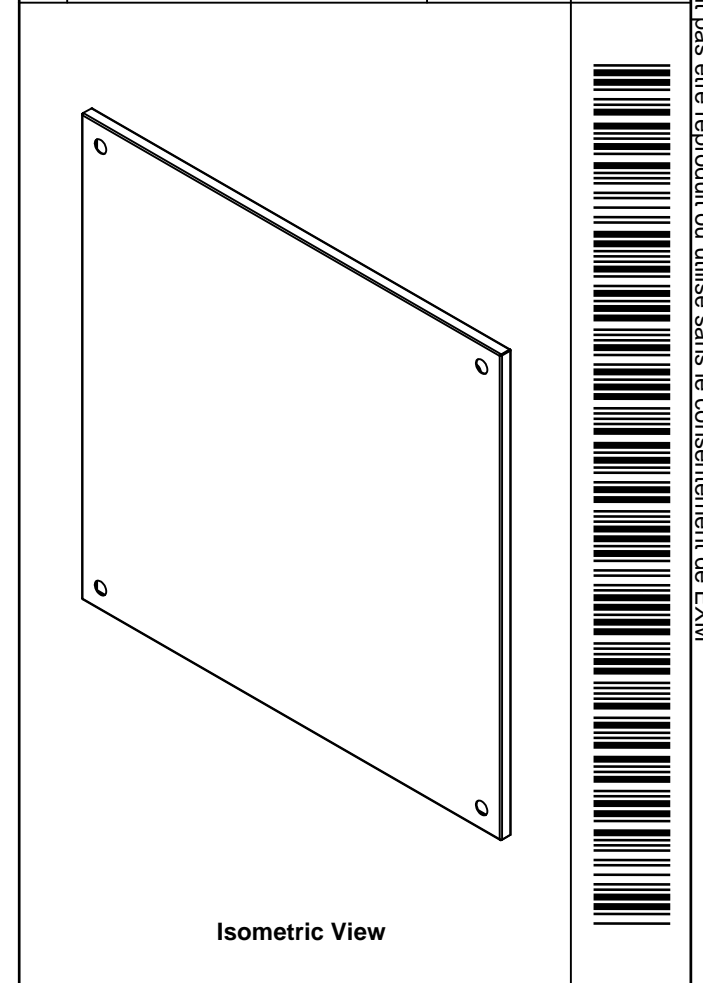



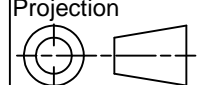
	Description	Status
	6500 MXT 800mm x 800mm Top	(NULL)
	Part Number Numéro Pièce	Rev.
	6500MXK160808T	0
		2
		3

This drawing is confidential and must not be reproduced or used without the consent of EXM

Ce dessin est confidentiel et ne doit pas être reproduit ou utilisé sans le consentement de EXM

No.	Revisions	Date	By/Par

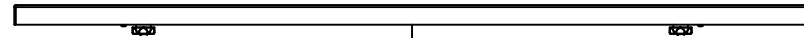


 Tél: (450) 979-4373 Fax: (450) 979-4626 www.exmweb.com		Flatness Aplatissement Max 3.0mm Projection 
Customer Client	Date	
Drawn By Dessiné Par	BoxCad: Annie	Date 04/02/2015
Material Matière	16 Ga H.R.P. & O. (1.4mm)	
Color Couleur	Iron Grey RAL7011	Finish Fini Rough Textured
Description	Detail Rev.	
6500 MXT 800mm x 800mm Top		
Part Number Numéro Pièce	Rev.	3
6500MXK160808T	0	3

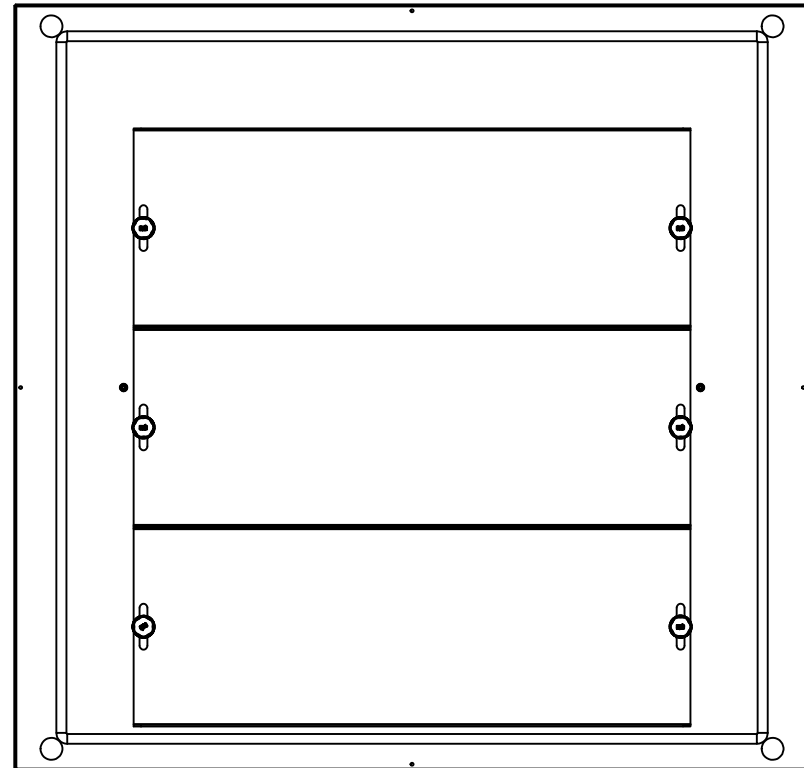
Qty	Part Number	Rev	Description
1	STK-P-03810R	0	Powder Paint (Iron Grey / Rough Textured)
2	STK-Q-16080	0.1.1	M6 x 16mm Ground Stud
1	6500MXK160808TG	0	6500 MXT 800mm x 800mm Top Gasket
1	6500MXK160808T-P	0	6500 MXT 800mm x 800mm Top Part
Parts List			

This drawing is confidential and must not be reproduced or used without the consent of EXM

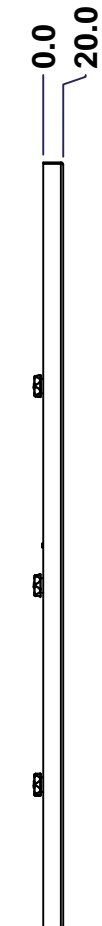
Ce dessin est confidentiel et ne doit pas être reproduit ou utilisé sans le consentement de EXM



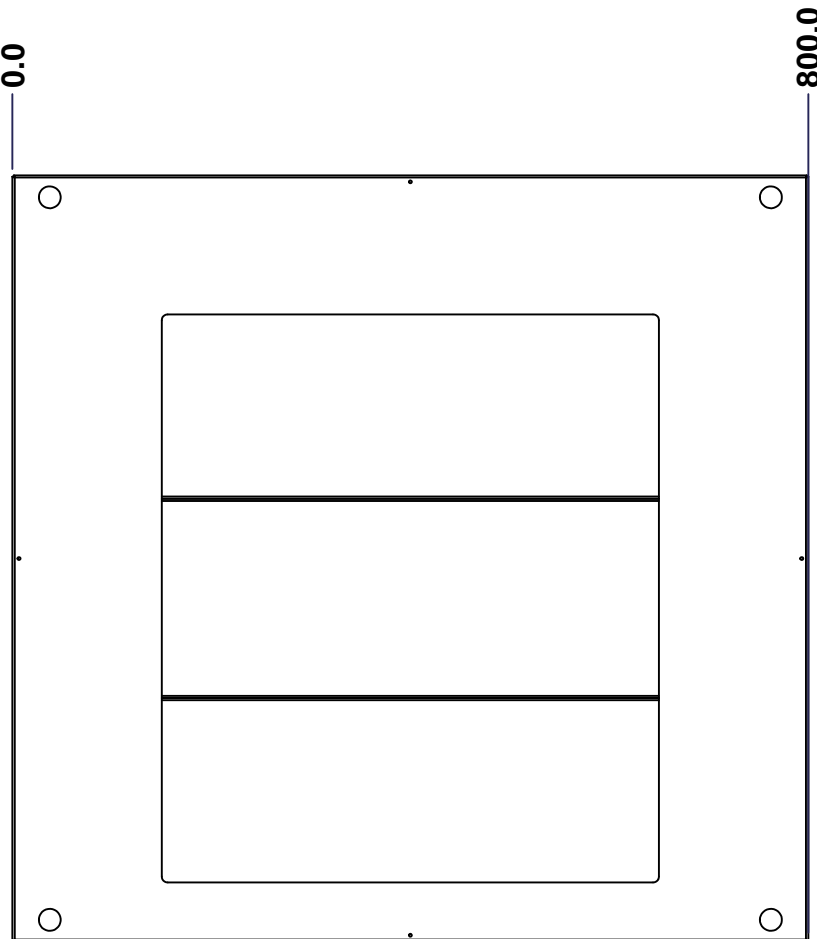
TOP



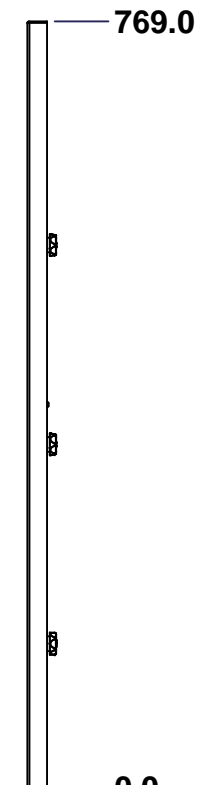
BACK



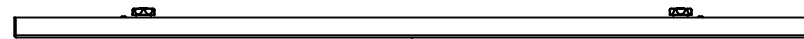
LEFT



FRONT

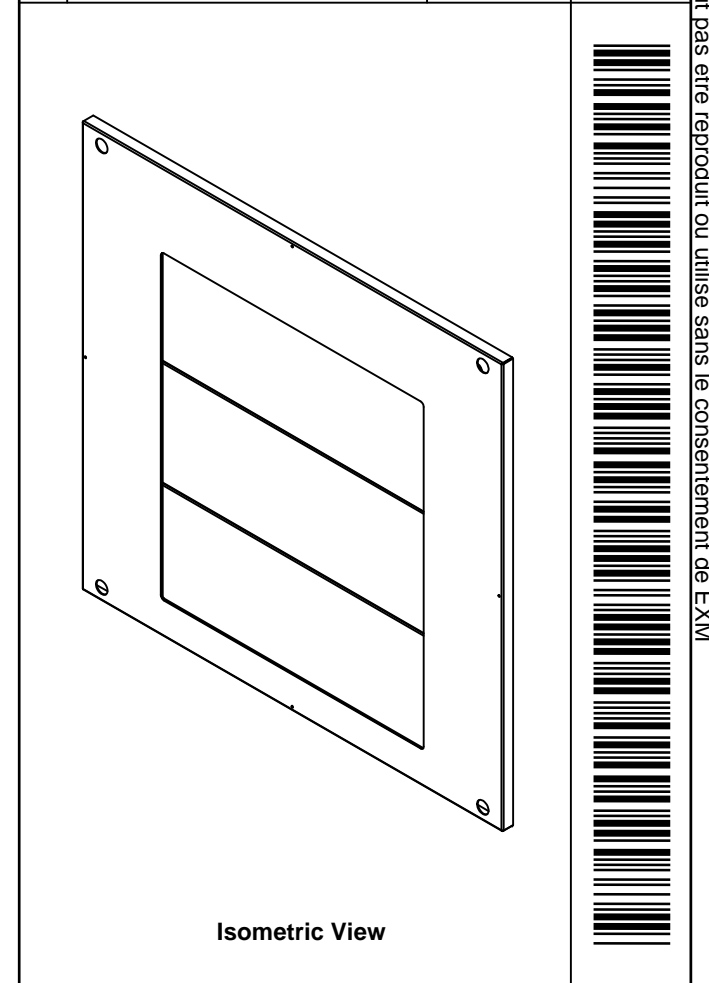


RIGHT


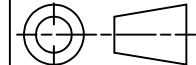


BOTTOM

No.	Revisions	Date	By/Par



Isometric View

 Tél: (450) 979-4373 Fax: (450) 979-4626 www.exmweb.com		Flatness Aplatissement Max 3.0mm Projection 	
Customer Client		Date	
Drawn By / Dessiné Par: BoxCad: Annie		Date: 04/02/2015	
Material / Matière: 16 Ga H.R.P. & O. (1.4mm)			
Color / Couleur: Iron Grey RAL7011		Finish / Fini: Rough / Textured	
Description: 6500 MXB 800mm x 800mm Bottom			Detail Rev.
Part Number / Numéro Pièce: 6500MXK160808BT		Rev.:	1 / 3

SEE BILL OF MATERIAL ON LAST PAGE

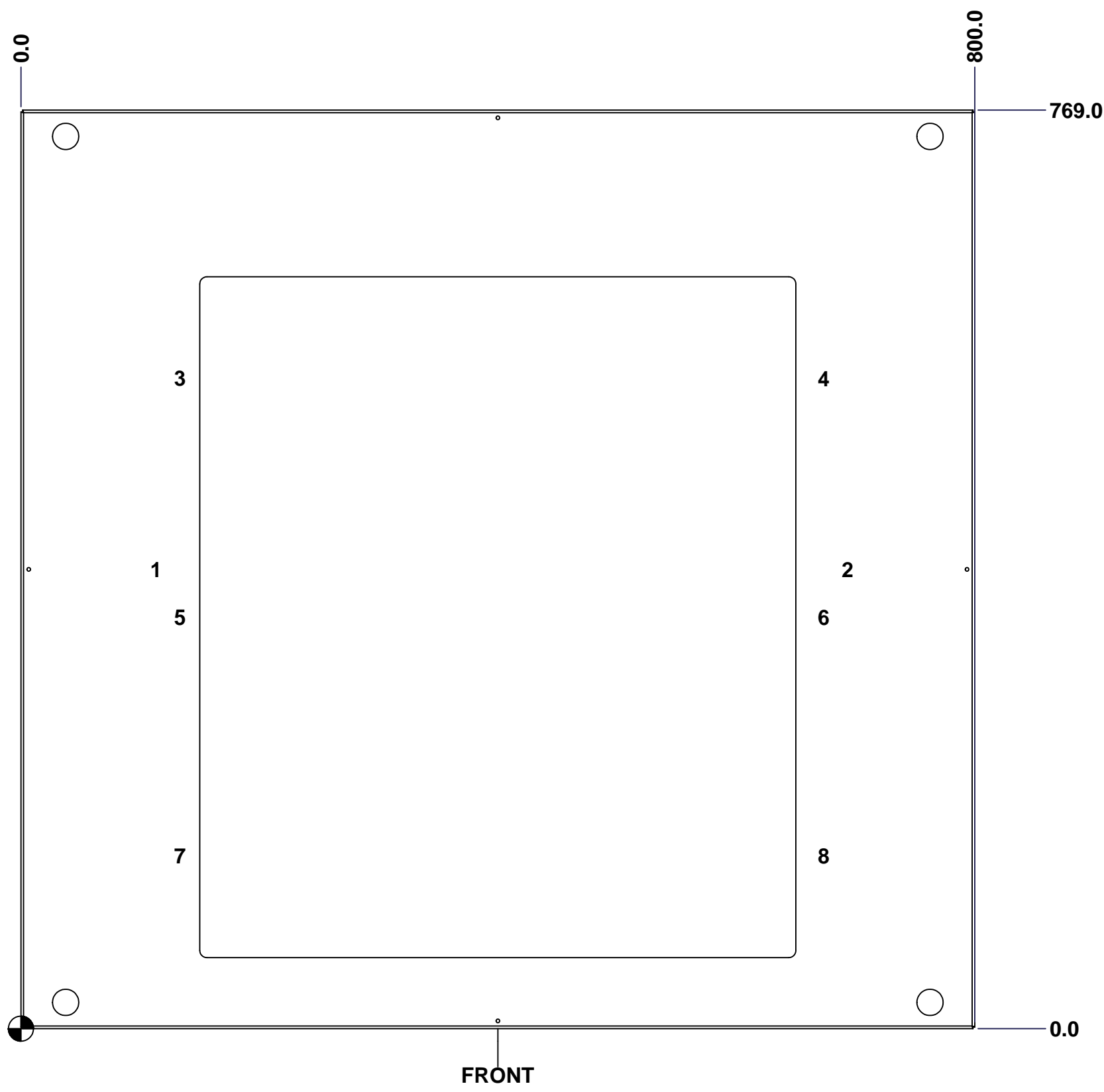
This drawing is confidential and must not be reproduced or used without the consent of EXM

Ce dessin est confidentiel et ne doit pas être reproduit ou utilisé sans le consentement de EXM

STANDARD FEATURES ARE NOT LISTED IN THIS HOLE TABLE

HOLE TABLE - FRONT VIEW (CUSTOM FEATURE ONLY)

CUT-OUT	XDIM	YDIM	DESCRIPTION
1	110.0	384.5	GND STUD M6 x 16mm (Inside)
2	690.0	384.5	GND STUD M6 x 16mm (Inside)
3	130.0	544.5	GP STUD M6 x 10mm (Inside)
4	670.0	544.5	GP STUD M6 x 10mm (Inside)
5	130.0	344.5	GP STUD M6 x 10mm (Inside)
6	670.0	344.5	GP STUD M6 x 10mm (Inside)
7	130.0	144.5	GP STUD M6 x 10mm (Inside)
8	670.0	144.5	GP STUD M6 x 10mm (Inside)

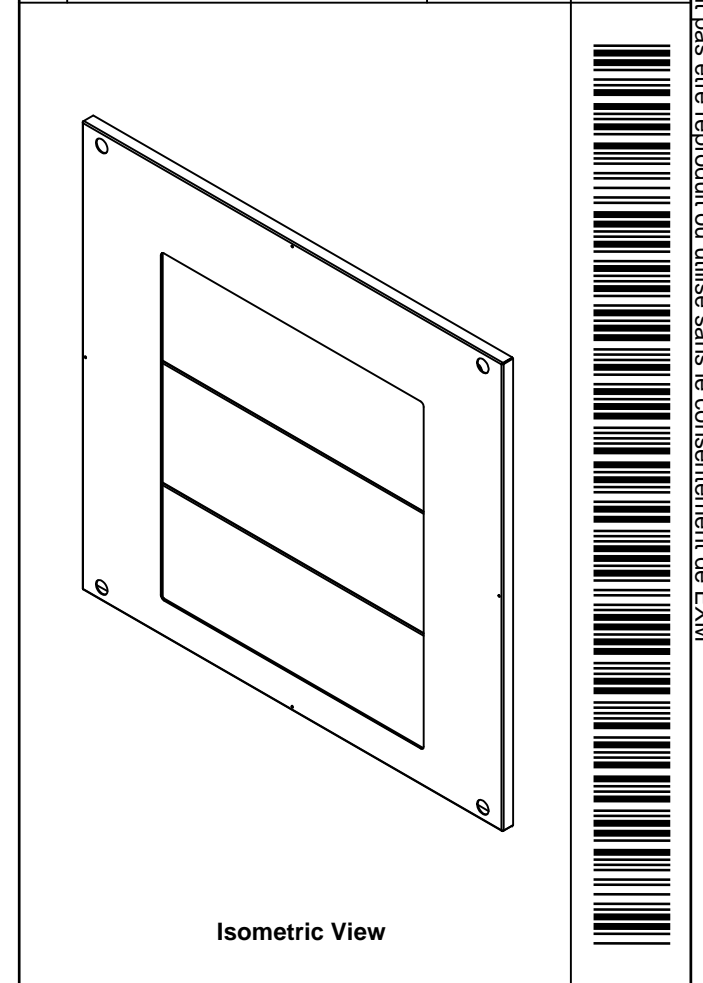


	Description	Status
	6500 MXB 800mm x 800mm Bottom	(NULL)
	Part Number Numéro Pièce	Rev.
	6500MXK160808BT	0
		2
		3

This drawing is confidential and must not be reproduced or used without the consent of EXM

Ce dessin est confidentiel et ne doit pas être reproduit ou utilisé sans le consentement de EXM

No.	Revisions	Date	By/Par

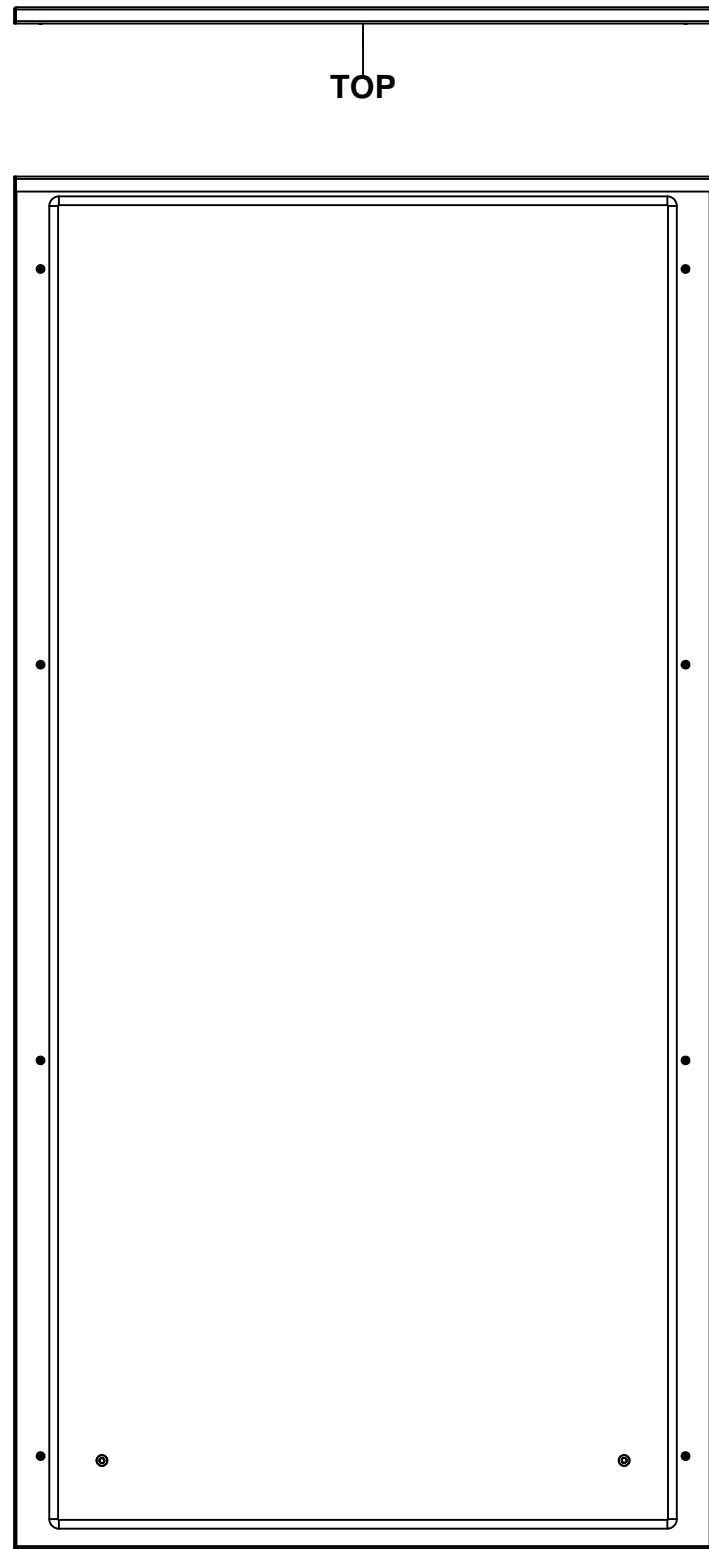


Tél: (450) 979-4373 Fax: (450) 979-4626 www.exmweb.com		Flatness Aplatissement	
		Max 3.0mm Projection	
Customer Client		Date	
Drawn By Dessiné Par BoxCad: Annie		Date 04/02/2015	
Material Matière		16 Ga H.R.P. & O. (1.4mm)	
Color Couleur Iron Grey RAL7011		Finish Fini Rough Textured	
Description 6500 MXB 800mm x 800mm Bottom			Detail Rev.
Part Number Numéro Pièce		Rev.	3
6500MXK160808BT		0	3

Qty	Part Number	Rev	Description
1	STK-P-03810R	0	Powder Paint (Iron Grey / Rough Textured)
6	STK-Q-06001	0	Mtrx - Gland Plate M6 Plastic Thumb Nut
2	STK-Q-16055	1	M6 x 18mm Stud (No Paint Cap Required)
3	6500MXK160808GP200-P	0	6500 MXB 800mm Gland Plate Part (200mm)
6	STK-Q-16031	0	M6 x 10mm Stud (No Paint Cap Required)
1	6500MXK160808BTGPG	0	6500 MXB 800mm x 800mm Bottom Gland Plate Gasket
1	6500MXK160808BTG	0	6500 MXB 800mm x 800mm Bottom Gasket
1	6500MXK160808BT-P	0	6500 MXB 800mm x 800mm Bottom Part
Parts List			

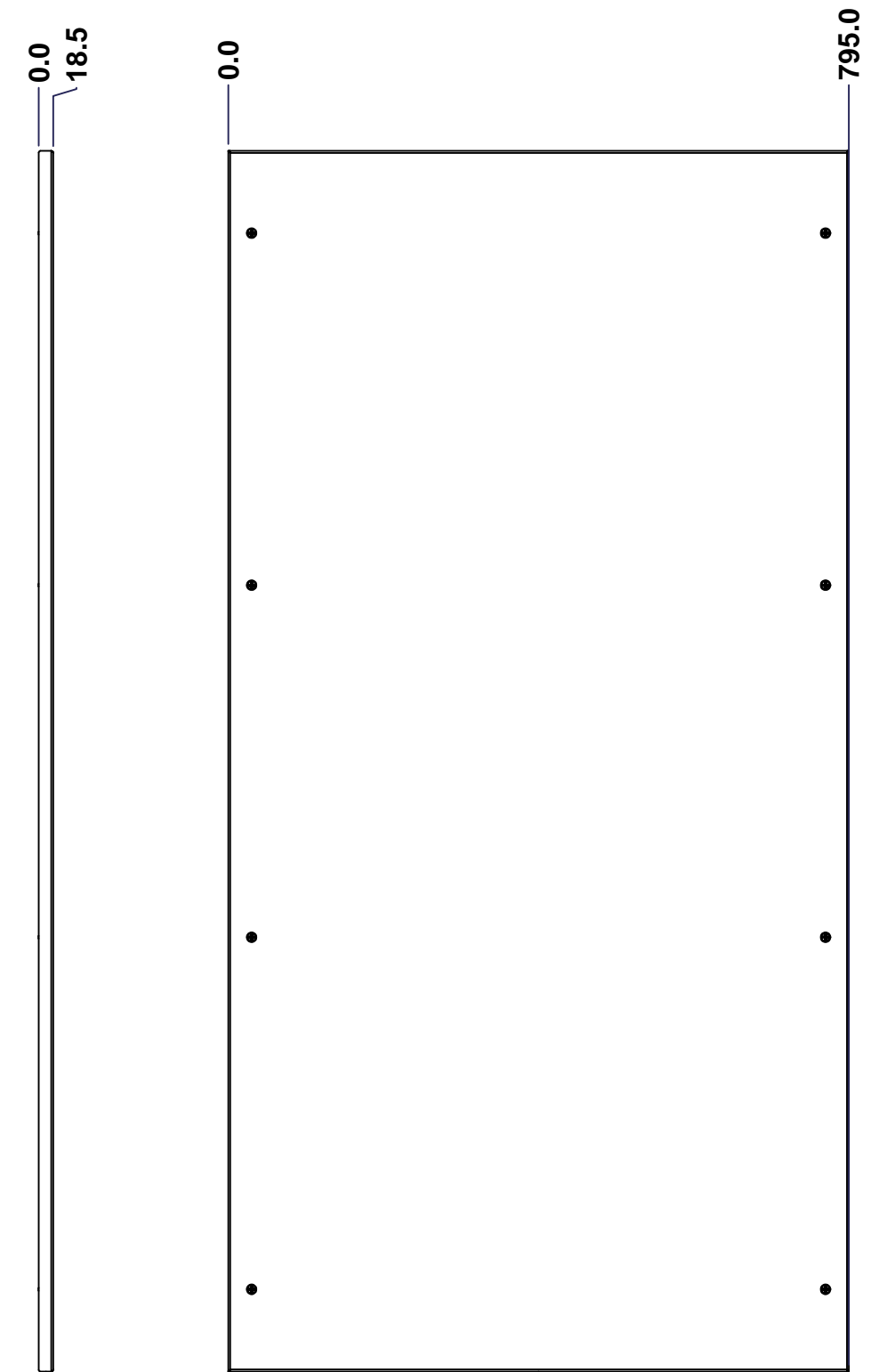
This drawing is confidential and must not be reproduced or used without the consent of EXM

Ce dessin est confidentiel et ne doit pas être reproduit ou utilisé sans le consentement de EXM



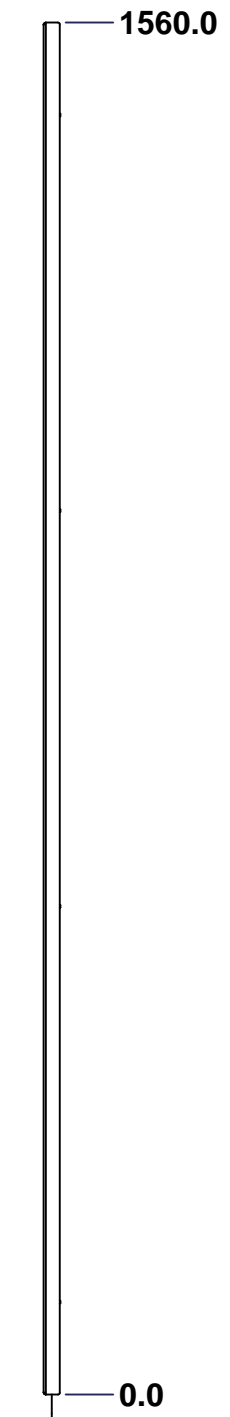
TOP

BACK

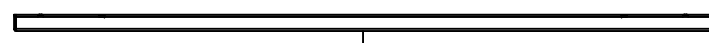


LEFT

FRONT



RIGHT



BOTTOM

No.	Revisions	Date	By/Par

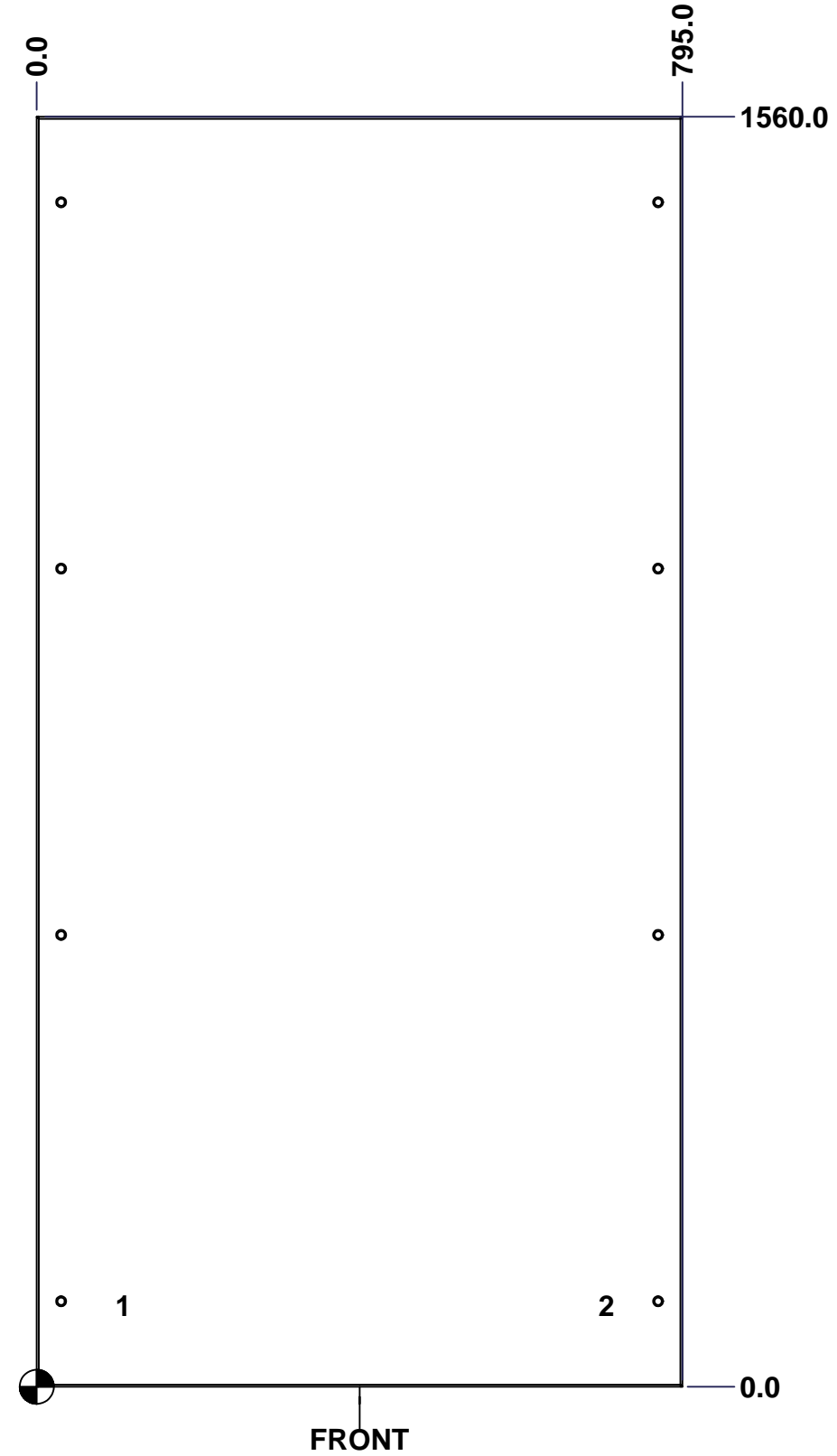
Isometric View

		Flatness Aplatissement Max 3.0mm Projection	
Customer Client		Date	
Drawn By Dessiné Par BoxCad: Annie		Date 04/02/2015	
Material Matière 14 Ga H.R.P. & O. (1.7mm)		Color Couleur Light Grey RAL7035	
Description 6500 MXR 1600mm x 800mm Back		Finish Fini Rough Textured	
Part Number Numéro Pièce 6500MXK160808B		Detail Rev.	
SEE BILL OF MATERIAL ON LAST PAGE		Rev. 1 0	

This drawing is confidential and must not be reproduced or used without the consent of EXM

Ce dessin est confidentiel et ne doit pas être reproduit ou utilisé sans le consentement de EXM

STANDARD FEATURES ARE NOT LISTED IN THIS HOLE TABLE			
HOLE TABLE - FRONT VIEW (CUSTOM FEATURE ONLY)			
CUT-OUT	XDIM	YDIM	DESCRIPTION
1	100.0	100.0	GND STUD M6 x 16mm (Inside)
2	695.0	100.0	GND STUD M6 x 16mm (Inside)

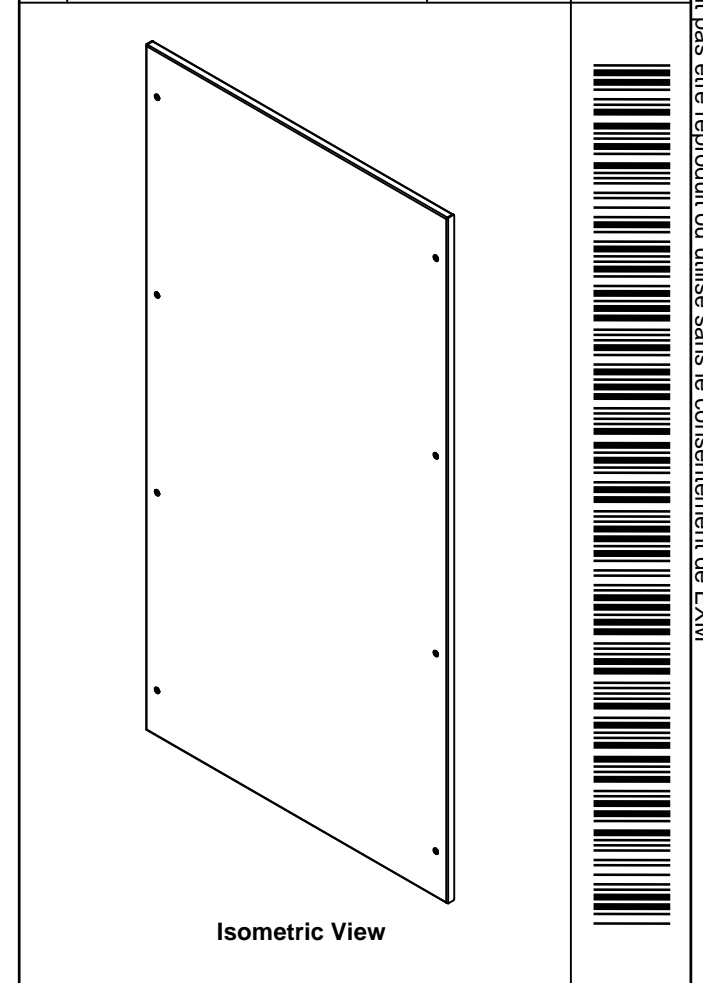


	Description 6500 MXR 1600mm x 800mm Back		Status (NULL)
	Part Number Numéro Pièce 6500MXK160808B		Rev. 2 0 / 3

This drawing is confidential and must not be reproduced or used without the consent of EXM

Ce dessin est confidentiel et ne doit pas être reproduit ou utilisé sans le consentement de EXM

No.	Revisions	Date	By/Par



Tél: (450) 979-4373 Fax: (450) 979-4626 www.exmweb.com		Flatness Aplatissement	
		Max 3.0mm Projection	
Customer Client		Date	
Drawn By Dessiné Par BoxCad: Annie		Date 04/02/2015	
Material Matière 14 Ga H.R.P. & O. (1.7mm)			
Color Couleur Light Grey RAL7035		Finish Fini Rough Textured	
Description 6500 MXR 1600mm x 800mm Back			Detail Rev.
Part Number Numéro Pièce 6500MXK160808B			Rev. 3
			0

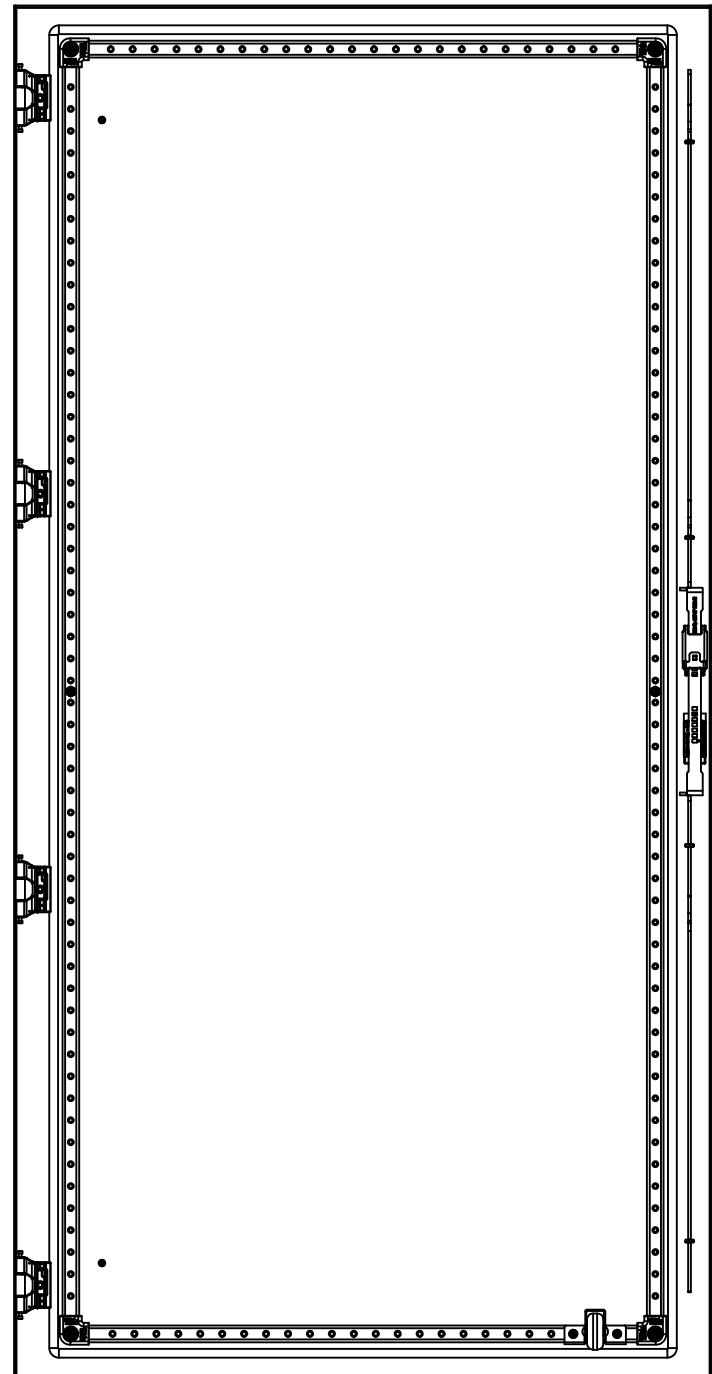
Qty	Part Number	Rev	Description
1	STK-P-03820R	0	Powder Paint (Light Grey / Rough Textured)
8	STK-Q-03072	2	M6 x 17mm Phillips Flat Head Screw
2	STK-Q-16080	0.1.1	M6 x 16mm Ground Stud
1	6500MXK160808BG	0	6500 MXR 1600mm x 800mm Back Gasket
1	6500MXK160808B-P	0	6500 MXR 1600mm x 800mm Back Part
Parts List			

This drawing is confidential and must not be reproduced or used without the consent of EXM

Ce dessin est confidentiel et ne doit pas être reproduit ou utilisé sans le consentement de EXM



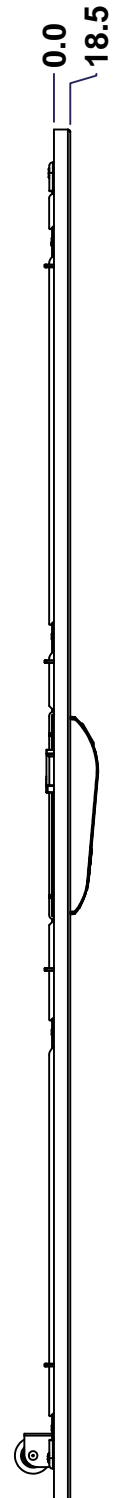
TOP



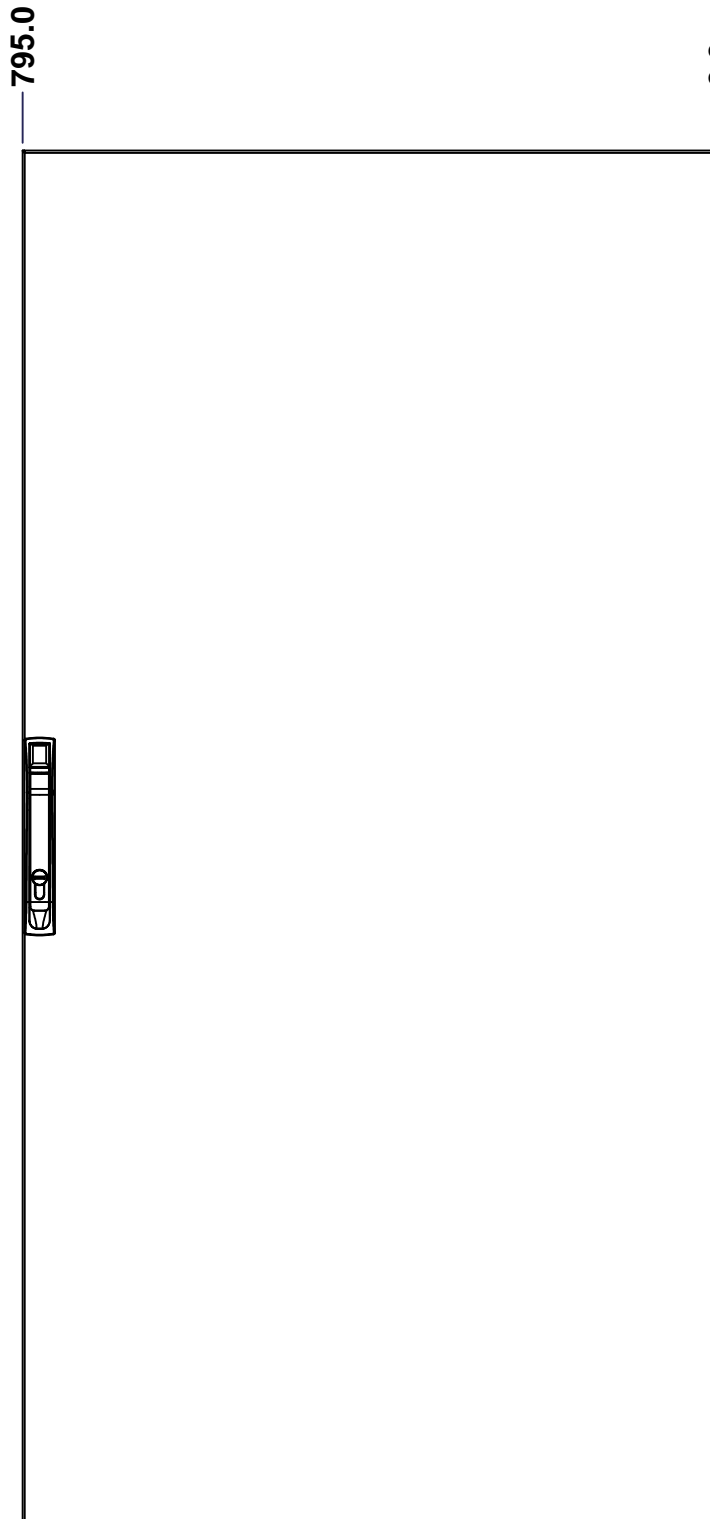
BACK



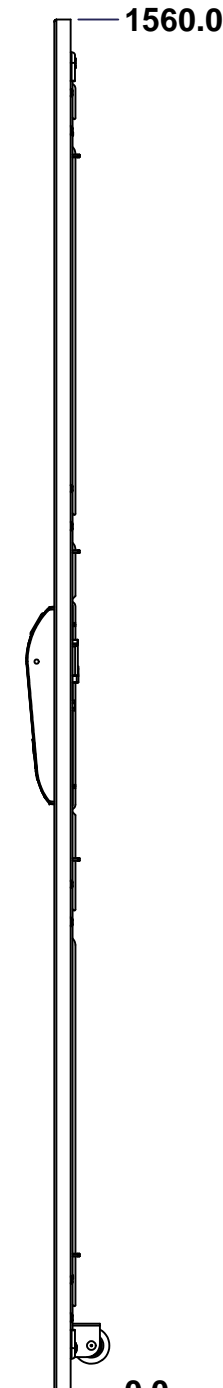
BOTTOM



LEFT

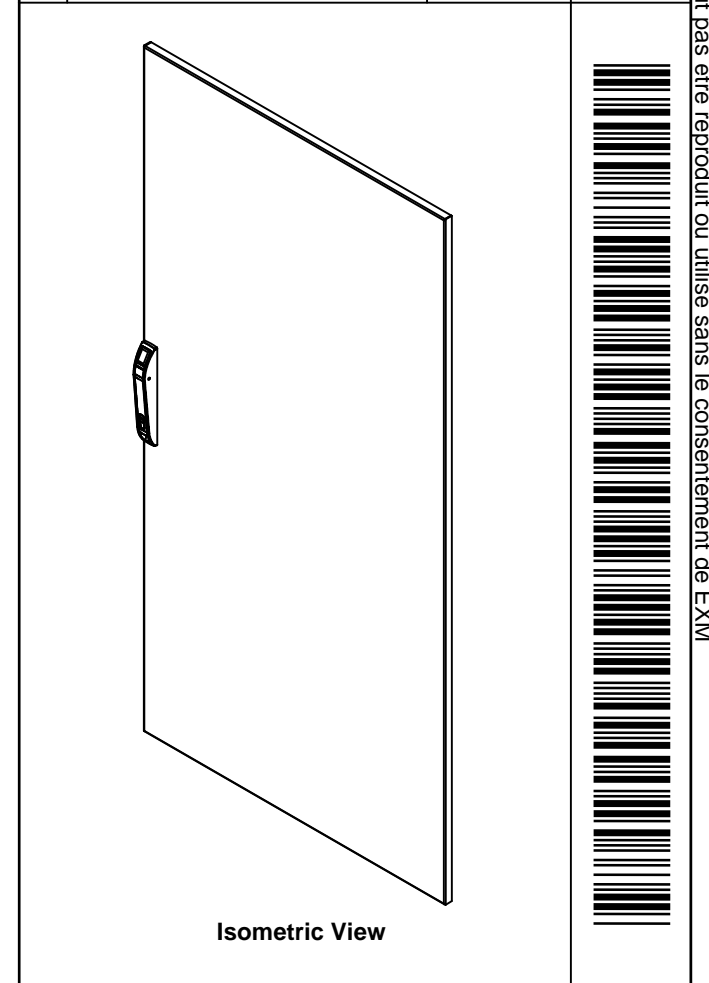


FRONT



RIGHT

No.	Revisions	Date	By/Par



Tél: (450) 979-4373 Fax: (450) 979-4626 www.exmweb.com		Flatness Aplatissement	
		Max 3.0mm	
Customer Client		Date	
Drawn By Dessiné Par BoxCad: Annie		Date 04/02/2015	
Material Matière 14 Ga H.R.P. & O. (1.7mm)		Projection	
Color Couleur Light Grey RAL7035		Finish Fini Rough Textured	
Description 6500 MXD 1600mm x 800mm Front		Detail Rev.	
Part Number Numéro Pièce 6500MXK160808F		Rev. 0	1 3

SEE BILL OF MATERIAL ON LAST PAGE

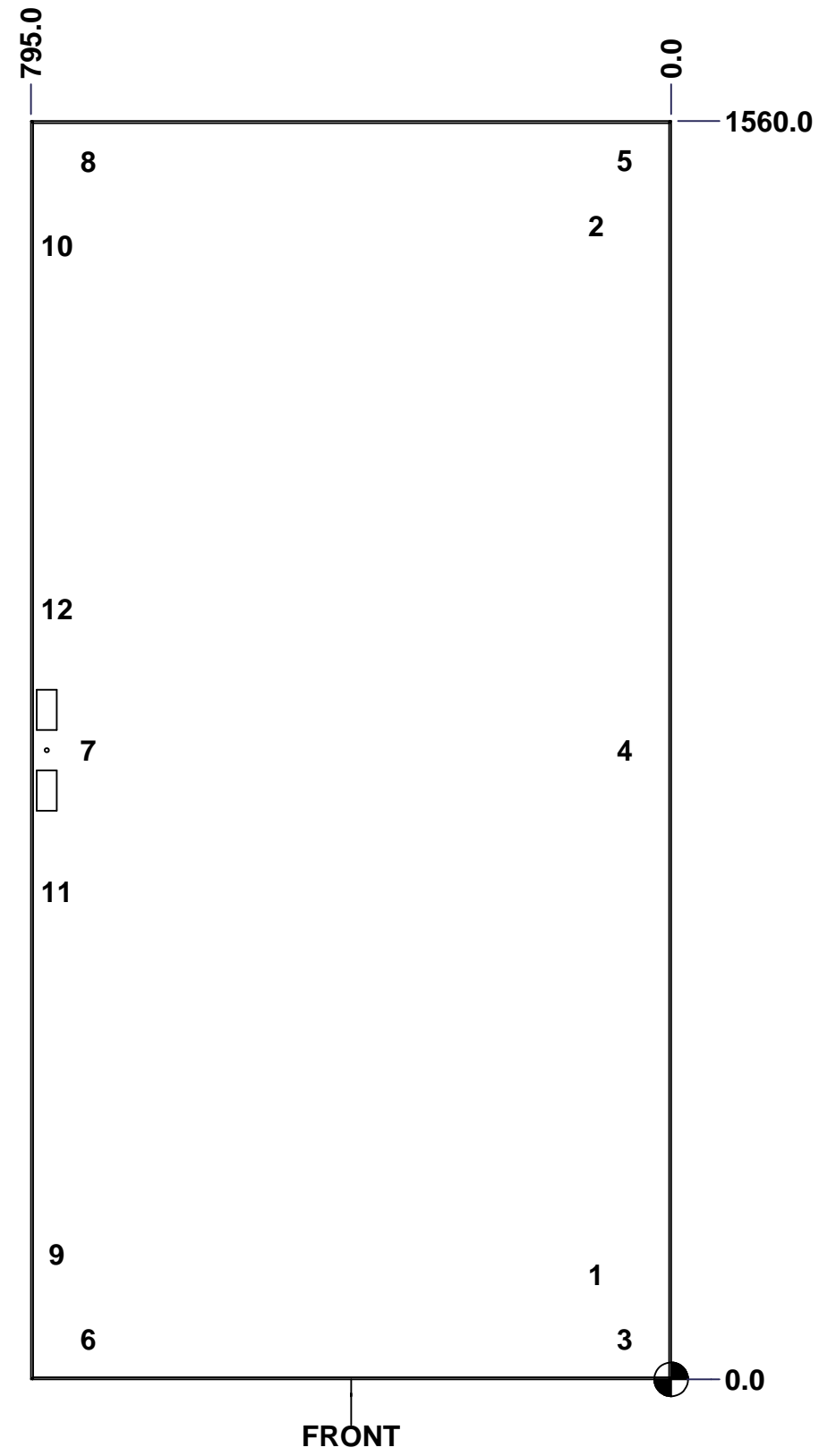
This drawing is confidential and must not be reproduced or used without the consent of EXM

Ce dessin est confidentiel et ne doit pas être reproduit ou utilisé sans le consentement de EXM

STANDARD FEATURES ARE NOT LISTED IN THIS HOLE TABLE

HOLE TABLE - FRONT VIEW (CUSTOM FEATURE ONLY)

CUT-OUT	XDIM	YDIM	DESCRIPTION
1	100.0	130.0	GND STUD M6 x 16mm (Inside)
2	100.0	1430.0	GND STUD M6 x 16mm (Inside)
3	64.5	49.5	STIFF. STUD M6 x 18mm (Inside)
4	64.5	780.0	STIFF. STUD M6 x 18mm (Inside)
5	64.5	1510.5	STIFF. STUD M6 x 18mm (Inside)
6	730.5	49.5	STIFF. STUD M6 x 18mm (Inside)
7	730.5	780.0	STIFF. STUD M6 x 18mm (Inside)
8	730.5	1510.5	STIFF. STUD M6 x 18mm (Inside)
9	769.5	155.0	CLOSING BAR GUIDE (Inside)
10	769.5	1405.0	CLOSING BAR GUIDE (Inside)
11	769.5	605.0	CLOSING BAR GUIDE (Inside)
12	769.5	955.0	CLOSING BAR GUIDE (Inside)

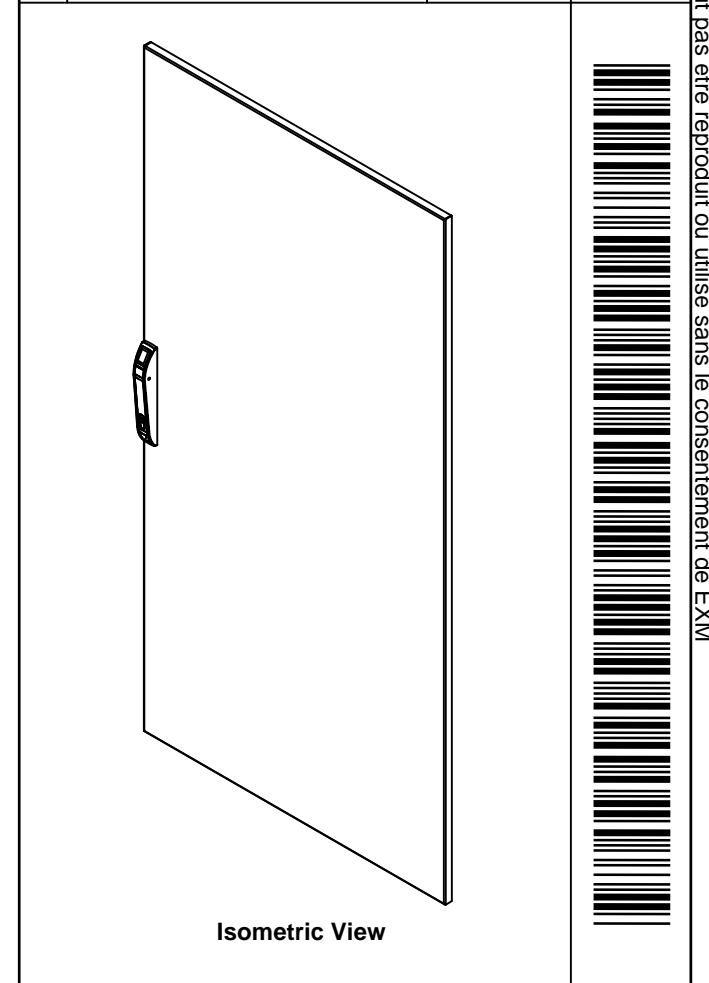


	Description	Status
	6500 MXD 1600mm x 800mm Front	(NULL)
	Part Number Numéro Pièce	Rev.
	6500MXK160808F	0
		2
		3


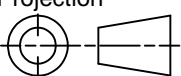
This drawing is confidential and must not be reproduced or used without the consent of EXM

Ce dessin est confidentiel et ne doit pas être reproduit ou utilisé sans le consentement de EXM

No.	Revisions	Date	By/Par

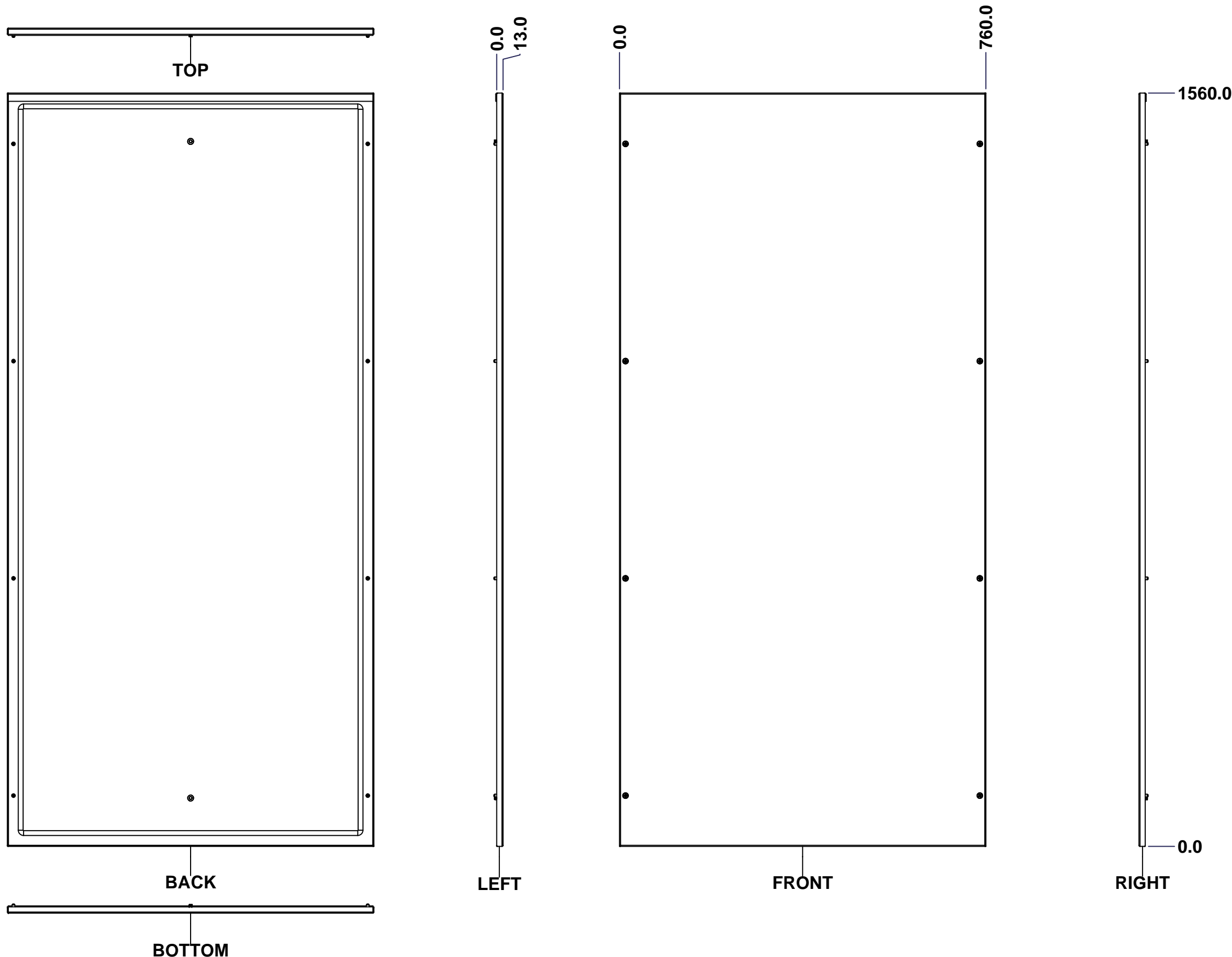


1	STK-P-03820R	0	Powder Paint (Light Grey / Rough Textured)
1	6500MXSRK	1	6500 MXRSK Door Support Roller
4	STK-Q-78022	0	Mtrx Closing Bar Slider
1	STK-Q-45746-16	1	6500 MXD - Lock Door Closing Bar
4	STK-Q-33105	4	5412 ESBU Buttable Hinge (Cover Part)
1	STK-Q-45729-16	2	6500 MXD - Lock Door Top Closing Bar
1	886PHD-S	4	Euroform Pull Handle Kit
8	STK-Q-16055	1	M6 x 18mm Stud (No Paint Cap Required)
1	6500MXK160808DS1	5	6500 MX 1600mm x 800mm Door Stiffener
1	6500MXK160808FG	0	6500 MXD 1600mm x 800mm Front Gasket
1	6500MXK160808F-P	0	6500 MXD 1600mm x 800mm Front Part
4	STK-K-06811	1	6500 MX - Hinge Assy
Qty	Part Number	Rev	Description
Parts List			

 Tél: (450) 979-4373 Fax: (450) 979-4626 www.exmweb.com		Flatness Aplatissement Max 3.0mm Projection 
Customer Client	Date	Date
Drawn By Dessiné Par	BoxCad: Annie	Date 04/02/2015
Material Matière	14 Ga H.R.P. & O. (1.7mm)	
Color Couleur	Light Grey RAL7035	Finish Fin Rough Textured
Description	Detail Rev.	
6500 MXD 1600mm x 800mm Front		
Part Number Numéro Pièce	Rev.	3
6500MXK160808F	0	3

This drawing is confidential and must not be reproduced or used without the consent of EXM

Ce dessin est confidentiel et ne doit pas être reproduit ou utilisé sans le consentement de EXM



No.	Revisions	Date	By/Par

Isometric View

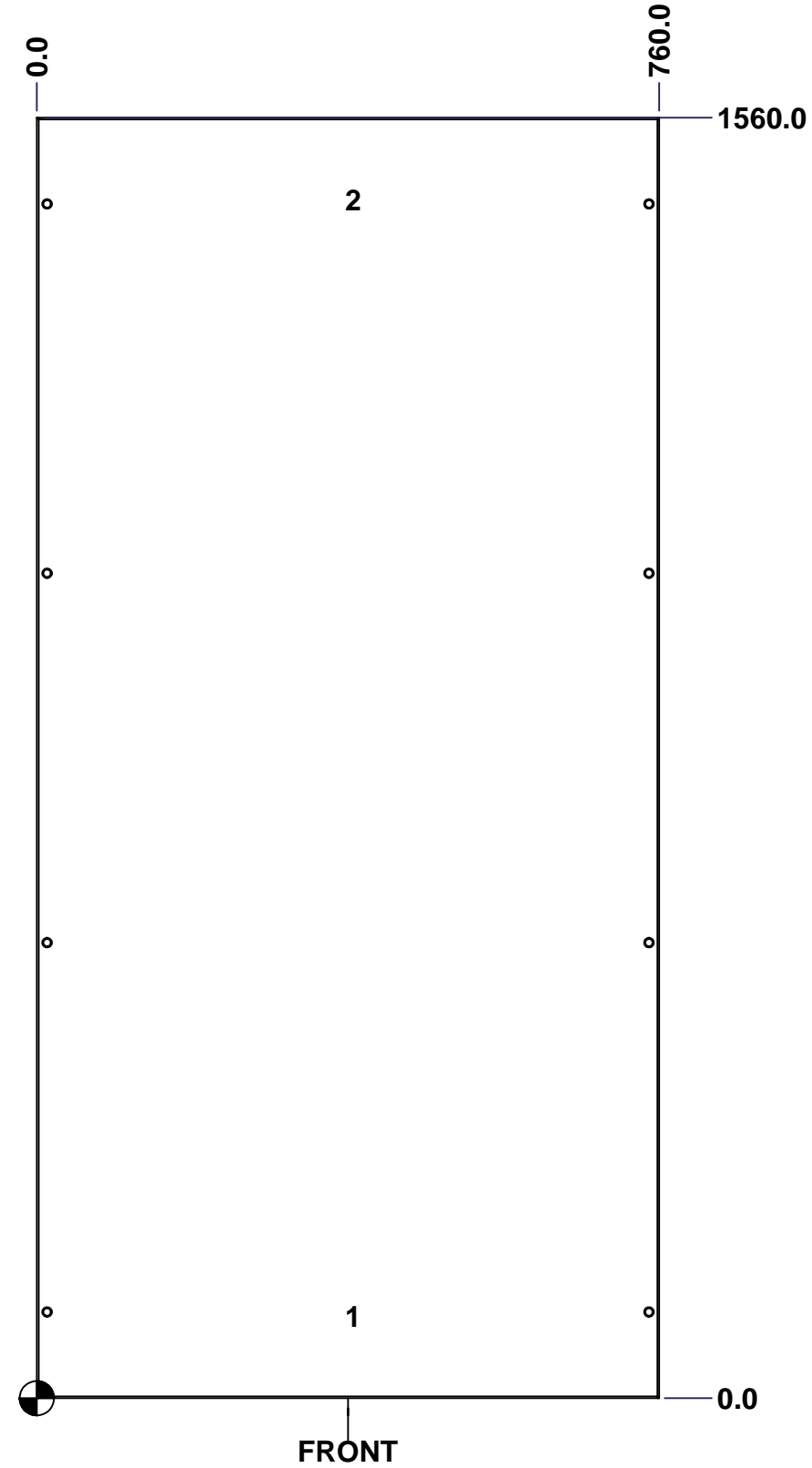
Tél: (450) 979-4373 Fax: (450) 979-4626 www.exmweb.com		Flatness Aplatissement	
		Max 3.0mm	
Customer Client		Projection	
Date			
Drawn By Dessiné Par		Date	
BoxCad: Annie		04/02/2015	
Material Matière		16 Ga H.R.P. & O. (1.4mm)	
Color Couleur		Light Grey RAL7035	Finish Fini
Description		Rough Textured	
6500 MXC 1600mm x 800mm Left		Detail Rev.	
Part Number Numéro Pièce		Rev.	1
6500MXK160808L		0	3

SEE BILL OF MATERIAL ON LAST PAGE

This drawing is confidential and must not be reproduced or used without the consent of EXM

Ce dessin est confidentiel et ne doit pas être reproduit ou utilisé sans le consentement de EXM

STANDARD FEATURES ARE NOT LISTED IN THIS HOLE TABLE			
HOLE TABLE - FRONT VIEW (CUSTOM FEATURE ONLY)			
CUT-OUT	XDIM	YDIM	DESCRIPTION
1	380.0	100.0	GND STUD M6 x 16mm (Inside)
2	380.0	1460.0	GND STUD M6 x 16mm (Inside)

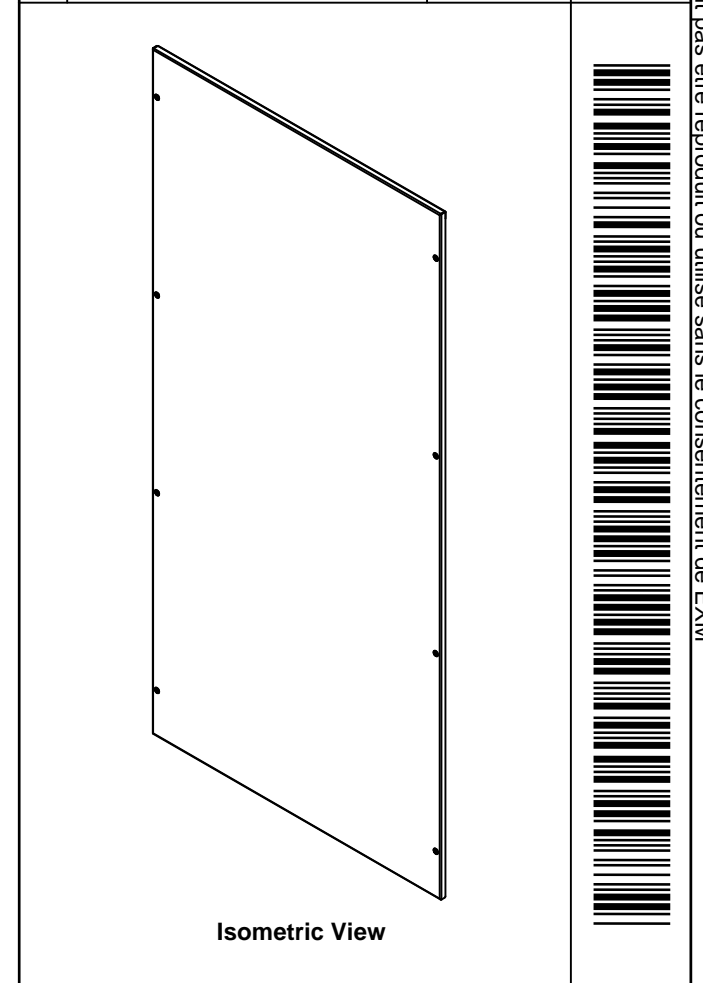



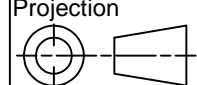
	Description	Status
	6500 MXC 1600mm x 800mm Left	(NULL)
	Part Number Numéro Pièce	Rev.
	6500MXK160808L	0
		2
		3

This drawing is confidential and must not be reproduced or used without the consent of EXM

Ce dessin est confidentiel et ne doit pas être reproduit ou utilisé sans le consentement de EXM

No.	Revisions	Date	By/Par

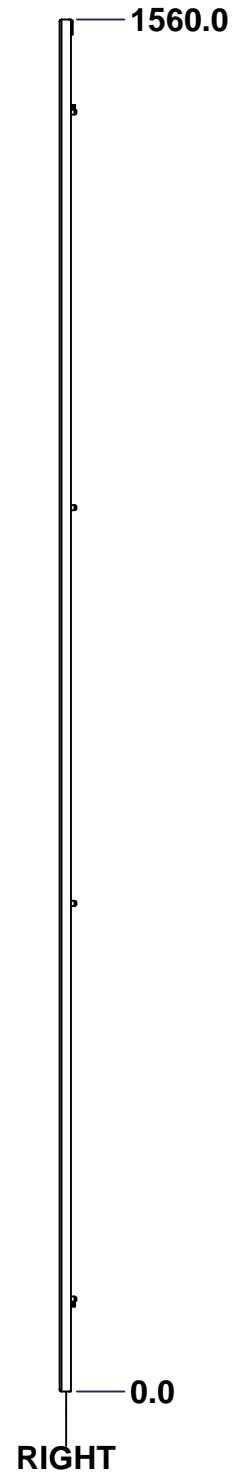
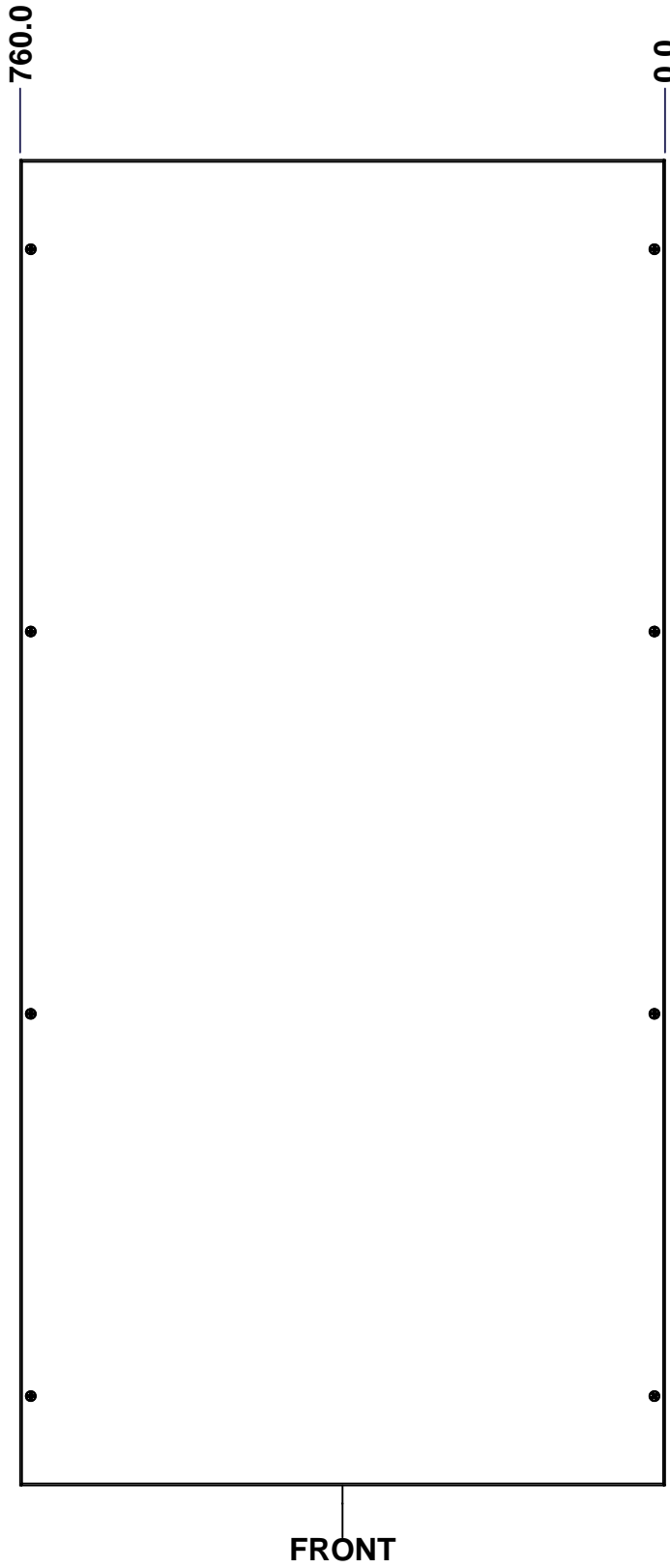
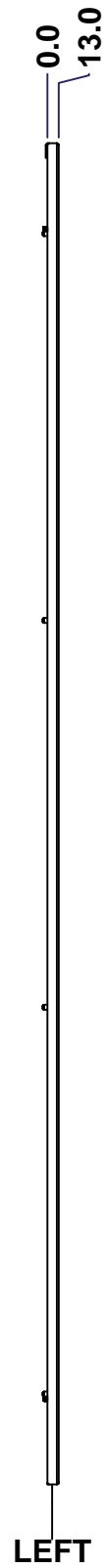
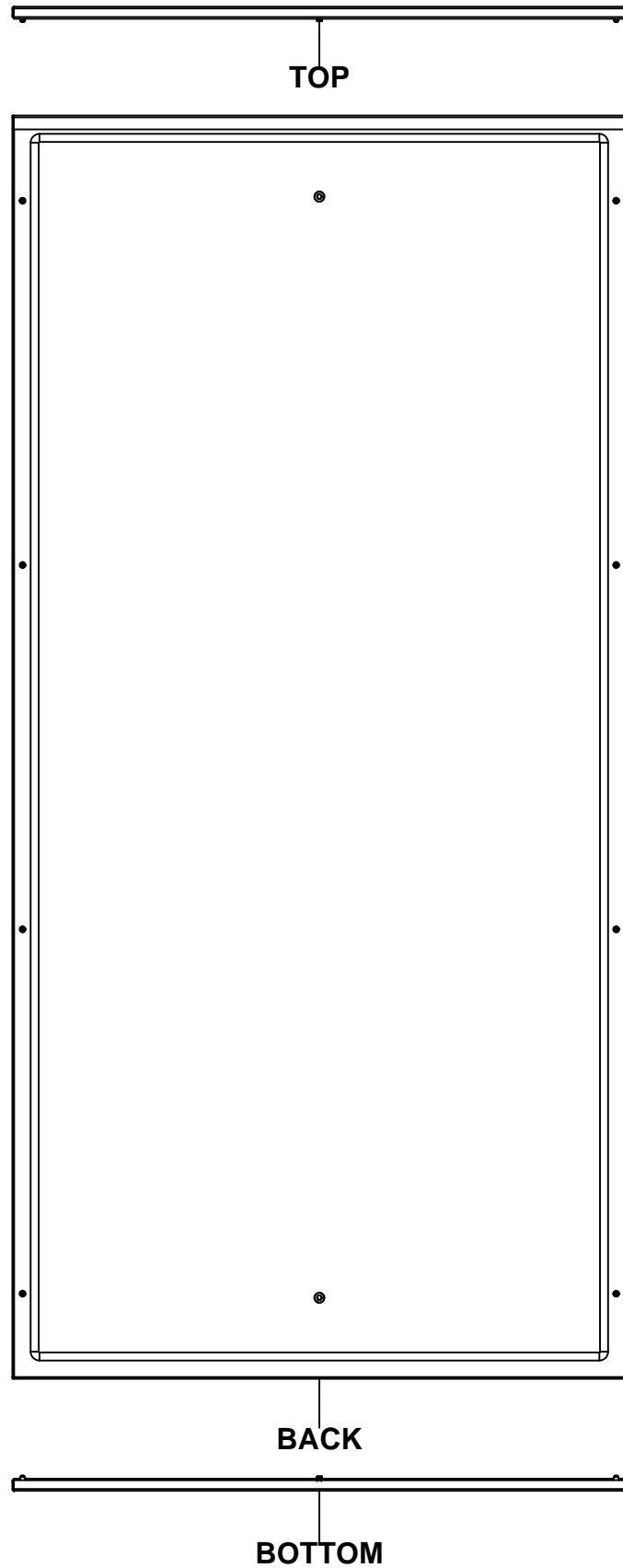


 Tél: (450) 979-4373 Fax: (450) 979-4626 www.exmweb.com		Flatness Aplatissement Max 3.0mm Projection 
Customer Client	Date	
Drawn By Dessiné Par	BoxCad: Annie	Date 04/02/2015
Material Matière	16 Ga H.R.P. & O. (1.4mm)	
Color Couleur	Light Grey RAL7035	Finish Fini Rough Textured
Description	Detail Rev.	
6500 MXC 1600mm x 800mm Left		
Part Number Numéro Pièce	Rev.	3
6500MXK160808L	0	3

Qty	Part Number	Rev	Description
1	STK-P-03820R	0	Powder Paint (Light Grey / Rough Textured)
8	STK-Q-03072	2	M6 x 17mm Phillips Flat Head Screw
2	STK-Q-16080	0.1.1	M6 x 16mm Ground Stud
1	6500MXK160808LG	0	6500 MXC 1600mm x 800mm Left Gasket
1	6500MXK160808L-P	0	6500 MXC 1600mm x 800mm Left Part
Parts List			

This drawing is confidential and must not be reproduced or used without the consent of EXM

Ce dessin est confidentiel et ne doit pas être reproduit ou utilisé sans le consentement de EXM



No.	Revisions	Date	By/Par

Isometric View

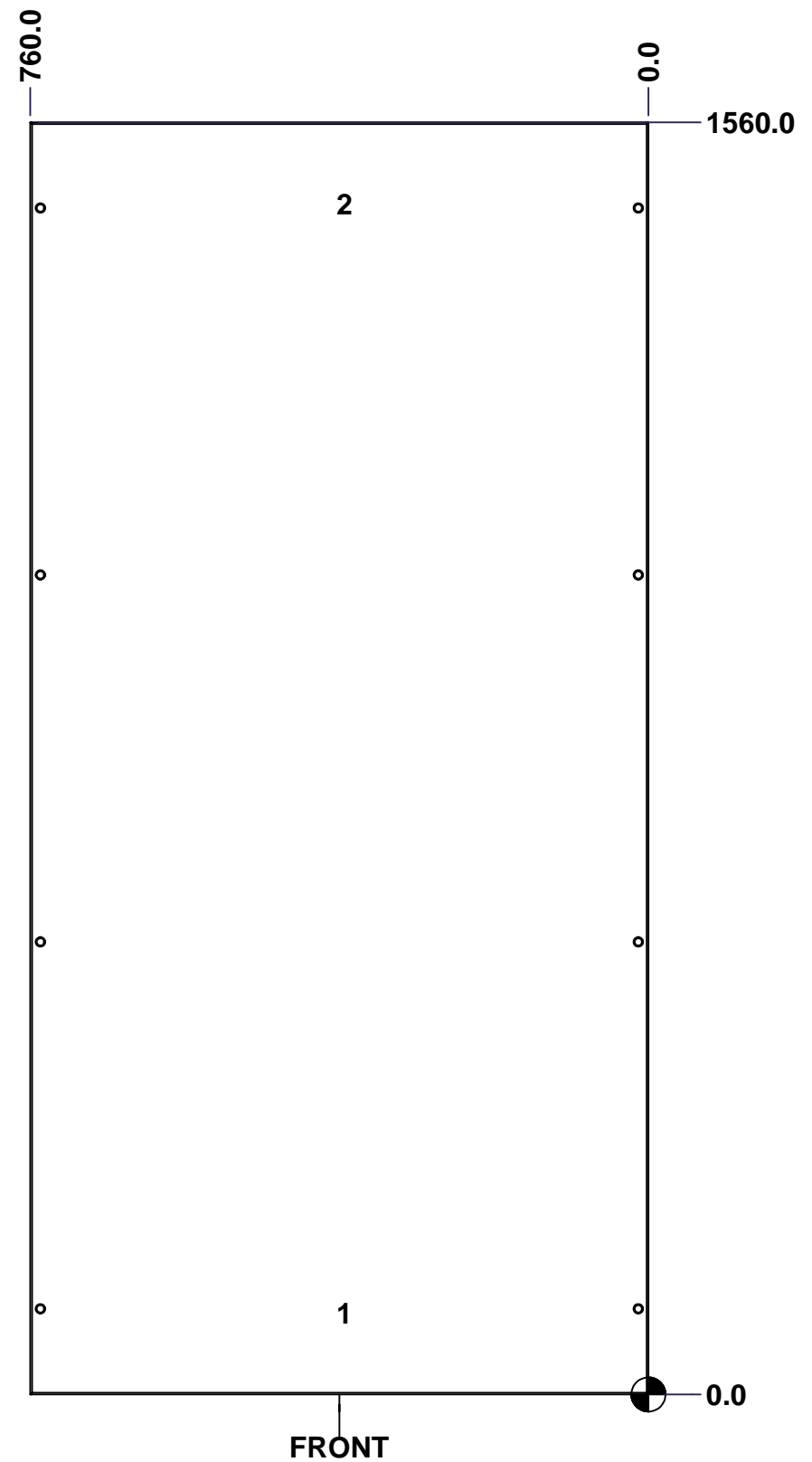
Tél: (450) 979-4373 Fax: (450) 979-4626 www.exmweb.com		Flatness Aplatissement	
		Max 3.0mm	
Customer Client		Projection	
Date			
Drawn By Dessiné Par: BoxCad: Annie		Date: 04/02/2015	
Material Matière: 16 Ga H.R.P. & O. (1.4mm)		Date	
Color Couleur: Light Grey RAL7035		Finish Fini: Rough Textured	
Description: 6500 MXC 1600mm x 800mm Right		Detail Rev.	
Part Number Numéro Pièce: 6500MXK160808R		Rev.:	1
		0	3

SEE BILL OF MATERIAL ON LAST PAGE

This drawing is confidential and must not be reproduced or used without the consent of EXM

Ce dessin est confidentiel et ne doit pas être reproduit ou utilisé sans le consentement de EXM

STANDARD FEATURES ARE NOT LISTED IN THIS HOLE TABLE			
HOLE TABLE - FRONT VIEW (CUSTOM FEATURE ONLY)			
CUT-OUT	XDIM	YDIM	DESCRIPTION
1	380.0	100.0	GND STUD M6 x 16mm (Inside)
2	380.0	1460.0	GND STUD M6 x 16mm (Inside)

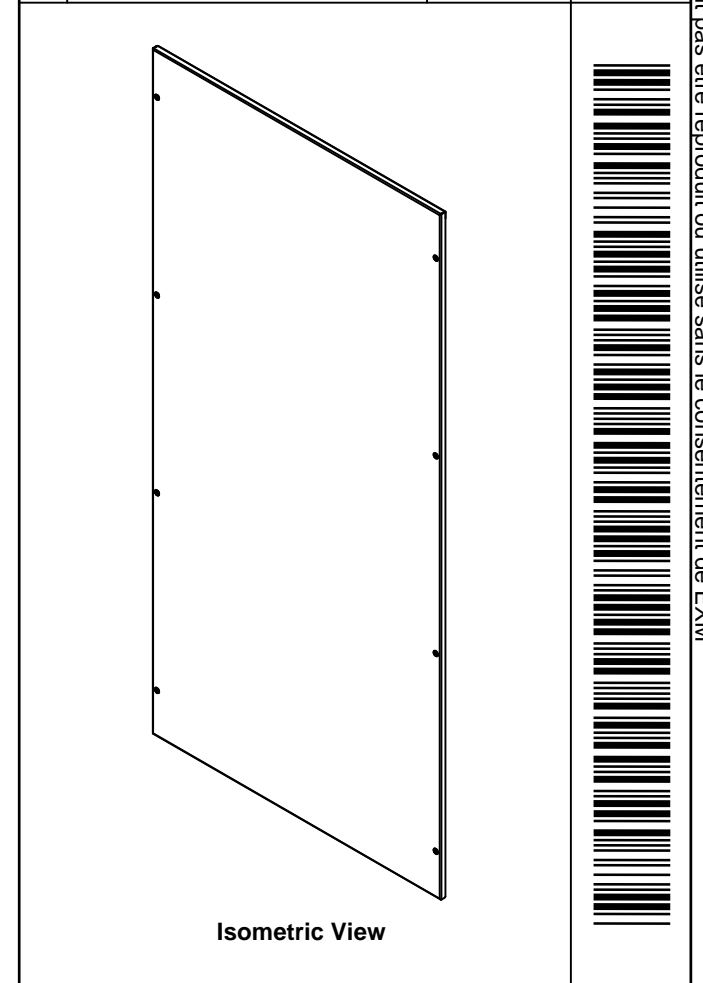



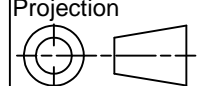
	Description	Status
	6500 MXC 1600mm x 800mm Right	(NULL)
	Part Number Numéro Pièce	Rev.
	6500MXK160808R	0
		2
		3

This drawing is confidential and must not be reproduced or used without the consent of EXM

Ce dessin est confidentiel et ne doit pas être reproduit ou utilisé sans le consentement de EXM

No.	Revisions	Date	By/Par

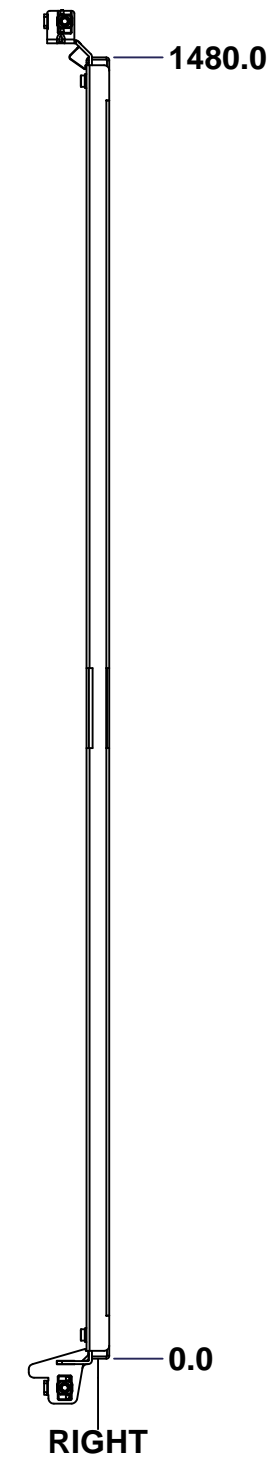
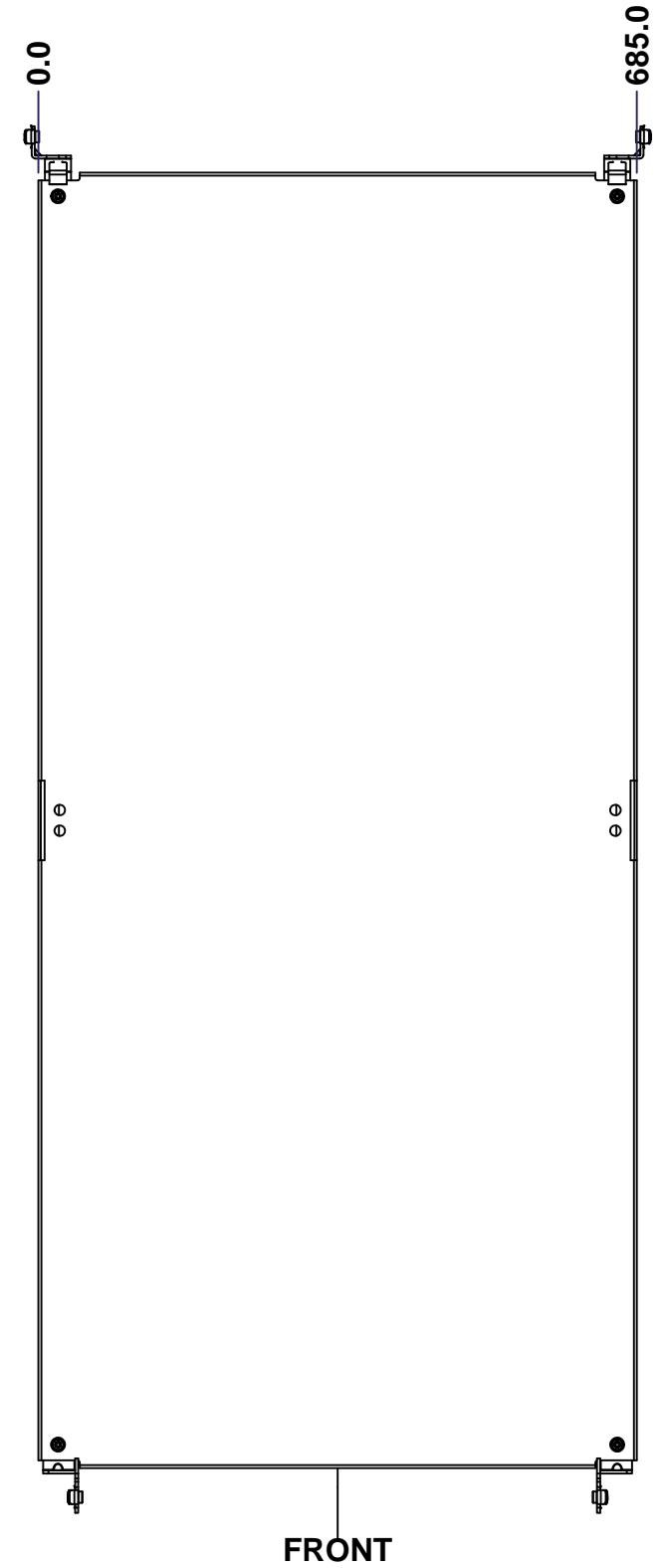
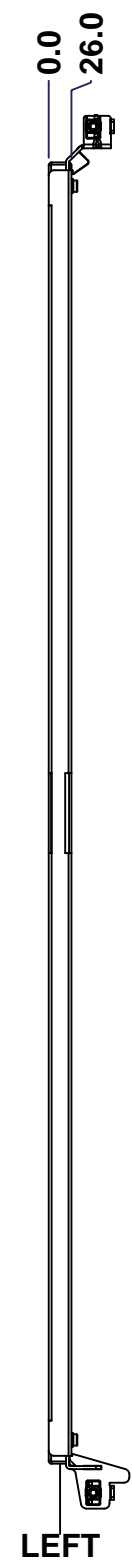
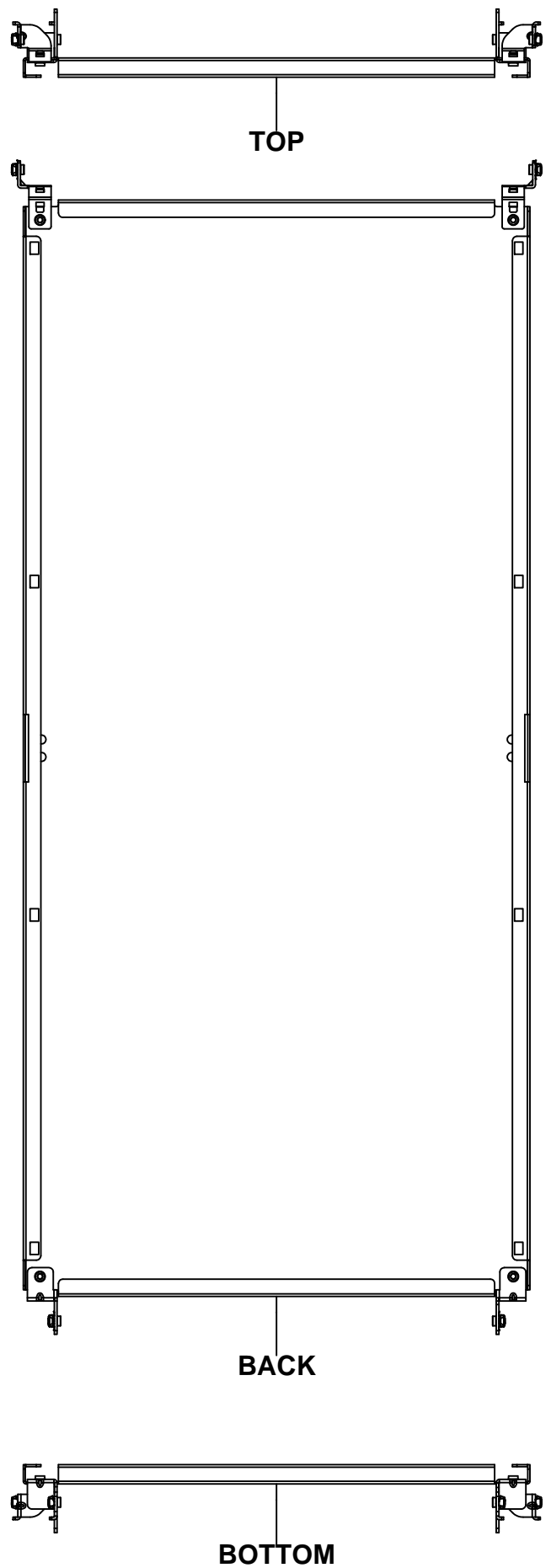


 Tél: (450) 979-4373 Fax: (450) 979-4626 www.exmweb.com		Flatness Aplatissement Max 3.0mm Projection 
Customer Client	Date	
Drawn By Dessiné Par	BoxCad: Annie	Date 04/02/2015
Material Matière	16 Ga H.R.P. & O. (1.4mm)	
Color Couleur	Light Grey RAL7035	Finish Fini Rough Textured
Description	Detail Rev.	
6500 MXC 1600mm x 800mm Right		
Part Number Numéro Pièce	Rev. 0	3
6500MXK160808R		3

Qty	Part Number	Rev	Description
1	STK-P-03820R	0	Powder Paint (Light Grey / Rough Textured)
8	STK-Q-03072	2	M6 x 17mm Phillips Flat Head Screw
2	STK-Q-16080	0.1.1	M6 x 16mm Ground Stud
1	6500MXK160808RG	0	6500 MXC 1600mm x 800mm Right Gasket
1	6500MXK160808R-P	0	6500 MXC 1600mm x 800mm Right Part
Parts List			

This drawing is confidential and must not be reproduced or used without the consent of EXM

Ce dessin est confidentiel et ne doit pas être reproduit ou utilisé sans le consentement de EXM



No.	Revisions	Date	By/Par

Isometric View

Tél: (450) 979-4373 Fax: (450) 979-4626 www.exmweb.com		Flatness Aplatissement	
		Max 3.0mm	
Customer Client		Projection	
Date			
Drawn By Dessiné Par BoxCad: Annie		Date 04/02/2015	
Material Matière 12 Ga Galvanized (2.5mm)		Color Couleur Unpainted	
Finish Fini Unpainted		Description 6500 MXM 1600mm x 800mm Back Inner Panel	
Detail Rev.		Part Number Numéro Pièce	
Rev. 0		1 3	

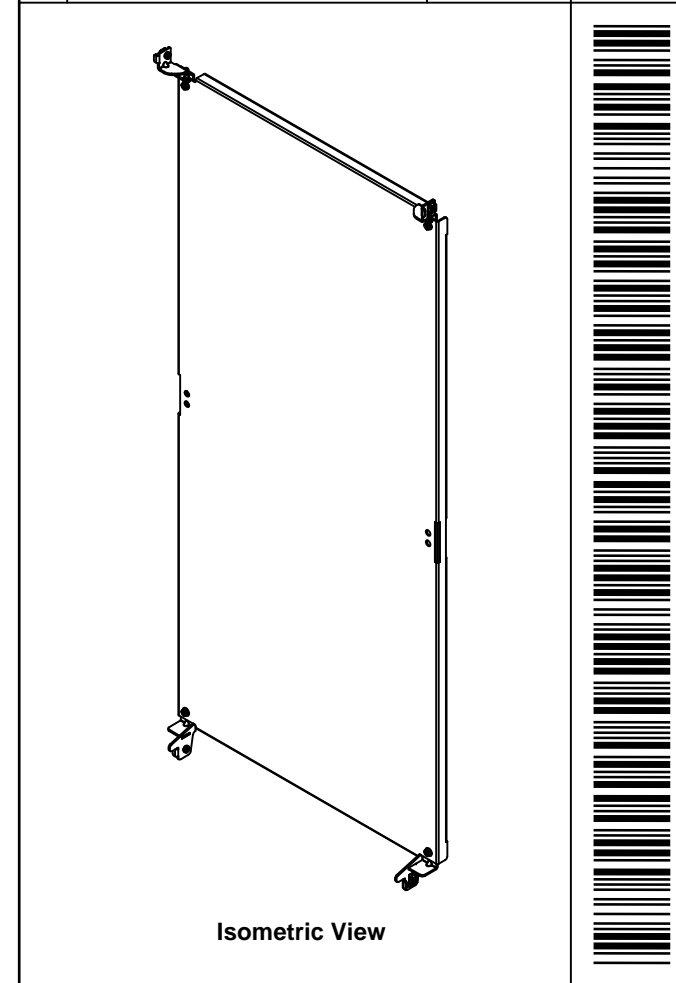
SEE BILL OF MATERIAL ON LAST PAGE


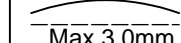
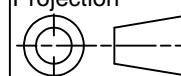
6500MXK160808BIP

This drawing is confidential and must not be reproduced or used without the consent of EXM

Ce dessin est confidentiel et ne doit pas être reproduit ou utilisé sans le consentement de EXM

No.	Revisions	Date	By/Par



 Tél: (450) 979-4373 Fax: (450) 979-4626 www.exmweb.com		Flatness Aplatissement  Max 3.0mm Projection 
Customer Client	Date	
Drawn By Dessiné Par	BoxCad: Annie	Date 04/02/2015
Material Matière	12 Ga Galvanized (2.5mm)	
Color Couleur	Unpainted	Finish Fini Unpainted
Description		Detail Rev.
6500 MXM 1600mm x 800mm Back Inner Panel		
Part Number Numéro Pièce	Rev.	3
6500MXK160808BIP	0	3

Qty	Part Number	Rev	Description
1	STK-A-49005	0	6500MXM - Bottom Inner Panel Support Kit (Right)
1	STK-A-49000	0	6500MXM - Bottom Inner Panel Support Kit (Left)
1	STK-A-49015	0	6500MXM - Top Inner Panel Support Kit (Right)
1	STK-A-49010	0	6500MXM - Top Inner Panel Support Kit (Left)
1	6500MXK160808BIP-P	0	6500 MXM 1600mm x 800mm Back Inner Panel Part
Parts List			