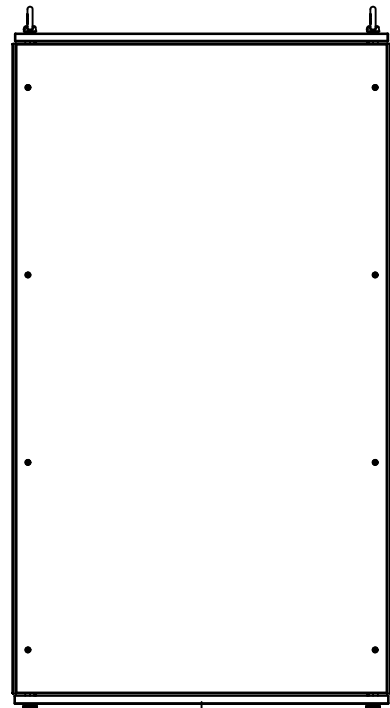


This drawing is confidential and must not be reproduced or used without the consent of EXM

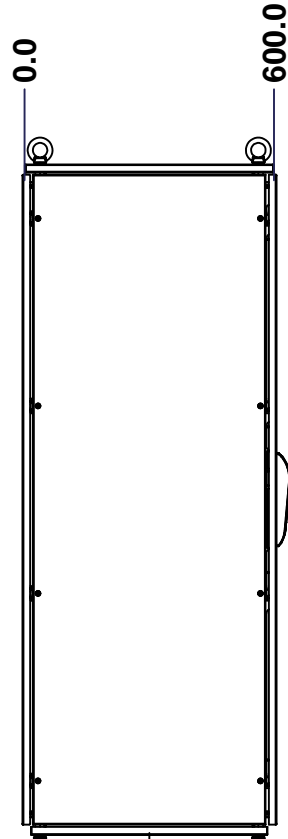
Ce dessin est confidentiel et ne doit pas être reproduit ou utilisé sans le consentement de EXM



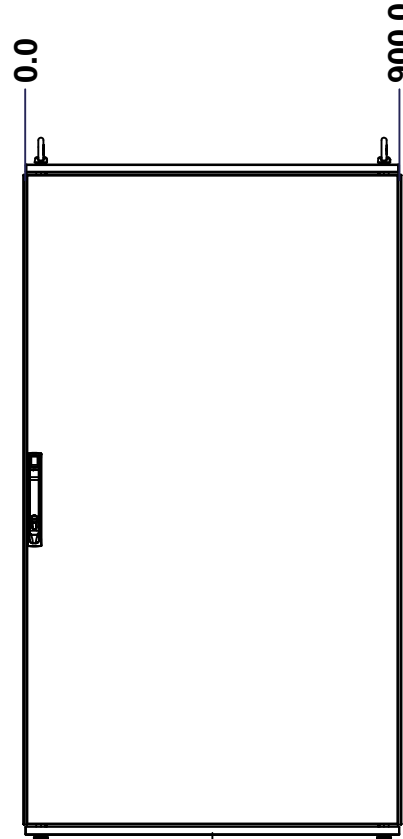
TOP



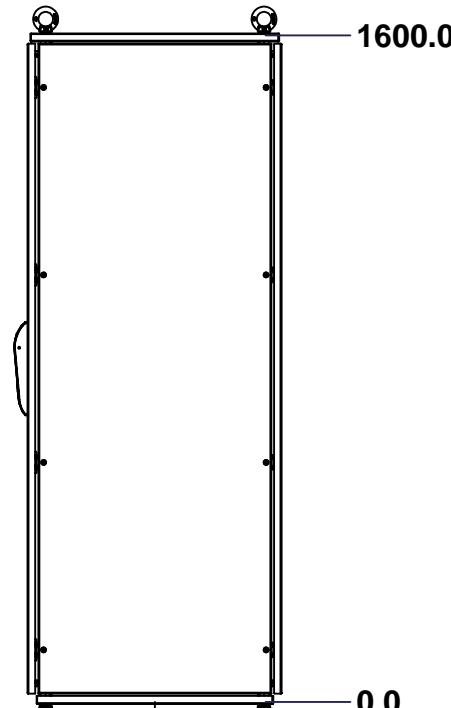
BACK



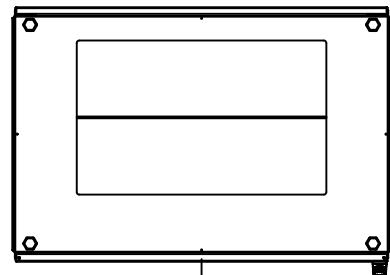
LEFT



FRONT

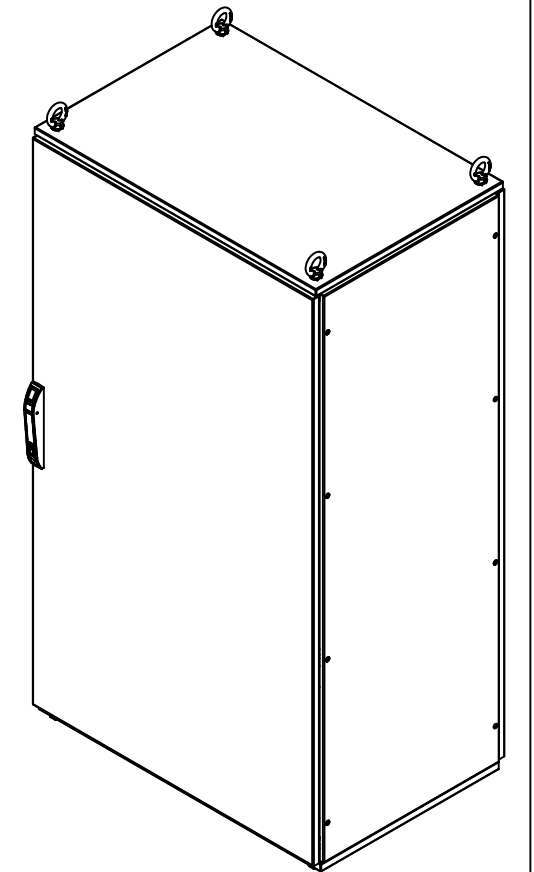


RIGHT



BOTTOM

| No. | Revisions | Date | By/Par |
|-----|-----------|------|--------|
| | | | |
| | | | |
| | | | |
| | | | |
| | | | |



Isometric View

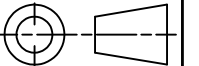


Tél: (450) 979-4373
 Fax: (450) 979-4626
www.exmweb.com

Flatness
Aplatissement

Max 3.0mm

Projection



| | |
|---------------------------------------|------------------|
| Customer Client | Date |
| Drawn By / Dessiné Par: BoxCad: Annie | Date: 05/02/2015 |
| Material / Matière | See Part List |

| | | | |
|-----------------|---------------|---------------|---------------|
| Color / Couleur | See Part List | Finish / Fini | See Part List |
|-----------------|---------------|---------------|---------------|

| | |
|--|-------------|
| Description | Detail Rev. |
| 6500MX 1600mm x 900mm x 600mm Assembly | |

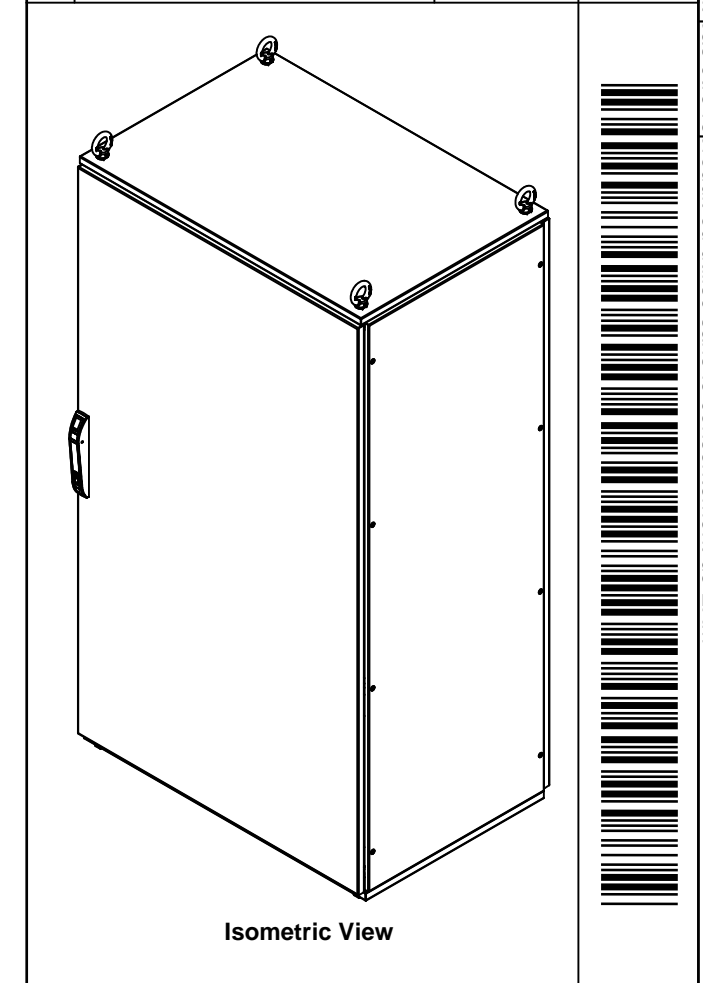
| | | |
|----------------------------|----------|---|
| Part Number / Numéro Pièce | Rev. | 1 |
| 6500MXK160906 | 0 | 2 |


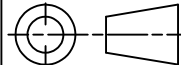
SEE BILL OF MATERIAL ON LAST PAGE

This drawing is confidential and must not be reproduced or used without the consent of EXM

Ce dessin est confidentiel et ne doit pas être reproduit ou utilisé sans le consentement de EXM

| No. | Revisions | Date | By/Par |
|-----|-----------|------|--------|
| | | | |
| | | | |
| | | | |
| | | | |
| | | | |

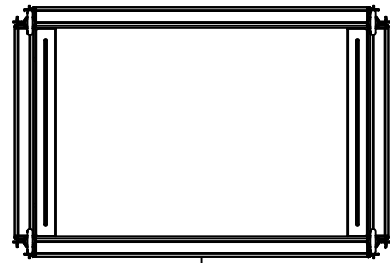


| | | |
|--|---------------|---|
|  Tél: (450) 979-4373 Fax: (450) 979-4626 www.exmweb.com | | Flatness Aplatissement Max 3.0mm Projection  |
| Customer Client | Date | |
| Drawn By Dessiné Par | BoxCad: Annie | Date 05/02/2015 |
| Material Matière | See Part List | |
| Color Couleur | See Part List | Finish Fini See Part List |
| Description | Detail Rev. | |
| 6500MX 1600mm x 900mm x 600mm Assembly | | |
| Part Number Numéro Pièce | Rev. | |
| 6500MXK160906 | 0 | 2 / 2 |

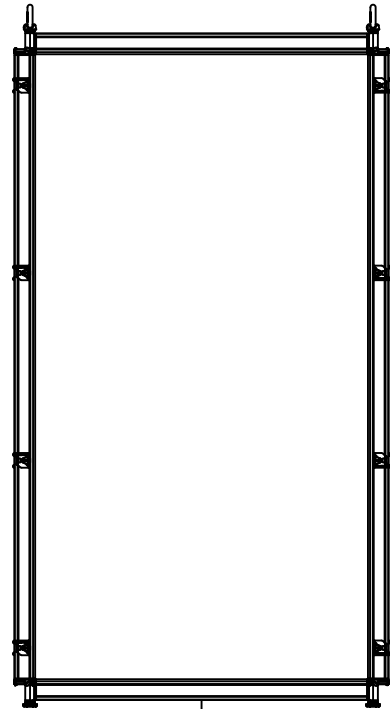
| Qty | Part Number | Rev | Description |
|------------|------------------|-----|--|
| 1 | 6500MXK160906BIP | 0 | 6500 MXM 1600mm x 900mm Back Inner Panel |
| 1 | 6500MXK160906R | 0 | 6500 MXC 1600mm x 600mm Right |
| 1 | 6500MXK160906L | 0 | 6500 MXC 1600mm x 600mm Left |
| 1 | 6500MXK160906F | 0 | 6500 MXD 1600mm x 900mm Front |
| 1 | 6500MXK160906B | 0 | 6500 MXR 1600mm x 900mm Back |
| 1 | 6500MXK160906BT | 0 | 6500 MXB 900mm x 600mm Bottom |
| 1 | 6500MXK160906T | 0 | 6500 MXT 900mm x 600mm Top |
| 1 | 6500MXK160906FR | 0 | 6500 MX 1600mm x 900mm x 600mm Frame |
| Parts List | | | |

This drawing is confidential and must not be reproduced or used without the consent of EXM

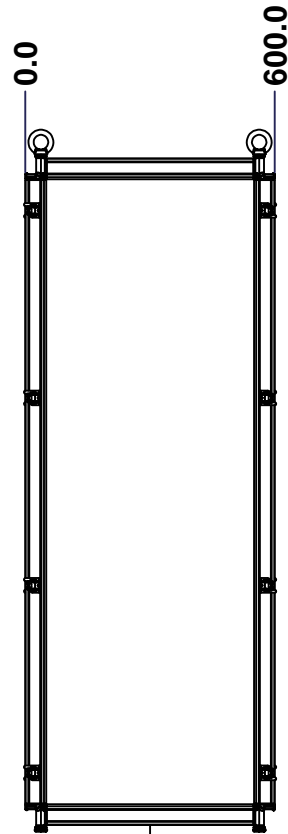
Ce dessin est confidentiel et ne doit pas être reproduit ou utilisé sans le consentement de EXM



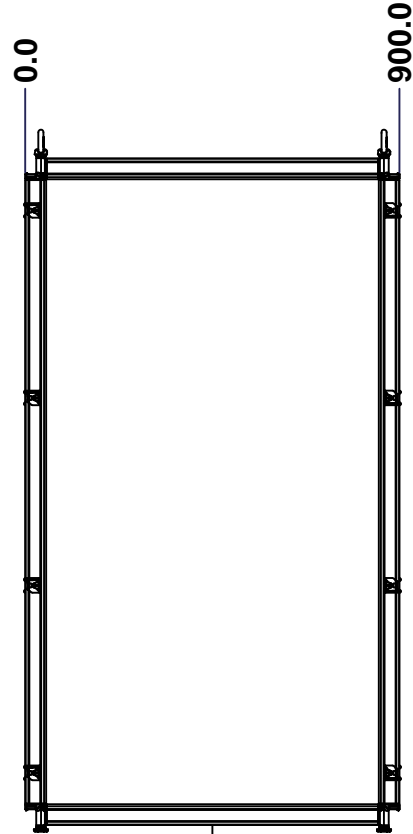
TOP



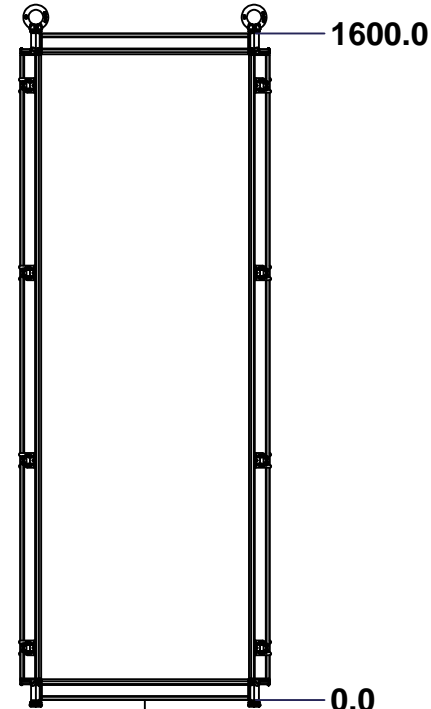
BACK



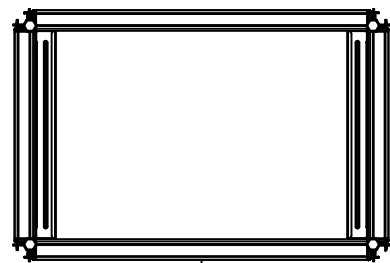
LEFT



FRONT

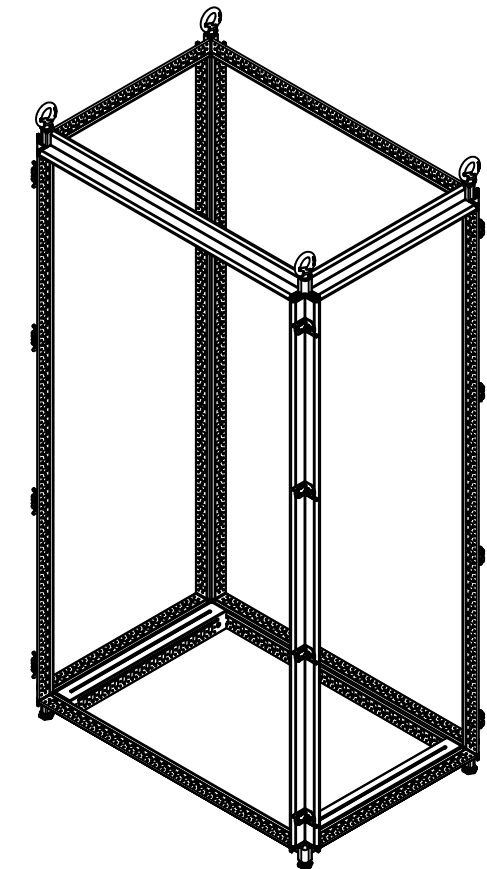


RIGHT



BOTTOM

| No. | Revisions | Date | By/Par |
|-----|-----------|------|--------|
| | | | |
| | | | |
| | | | |
| | | | |



Isometric View

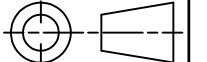


Tél: (450) 979-4373
 Fax: (450) 979-4626
www.exmweb.com

Flatness
Aplatissement

Max 3.0mm

Projection



| | |
|---------------------------------------|------------------|
| Customer Client | Date |
| Drawn By / Dessiné Par: BoxCad: Annie | Date: 05/02/2015 |

Material / Matière: 16 Ga Electro-Galvanized (1.4mm)

| | |
|------------------------------------|---------------------------------|
| Color / Couleur: Iron Grey RAL7011 | Finish / Fini: Rough / Textured |
|------------------------------------|---------------------------------|

Description: 6500 MX 1600mm x 900mm x 600mm Frame

| | |
|---|--------|
| Part Number / Numéro Pièce: 6500MXK160906FR | Rev. 1 |
| | 2 |

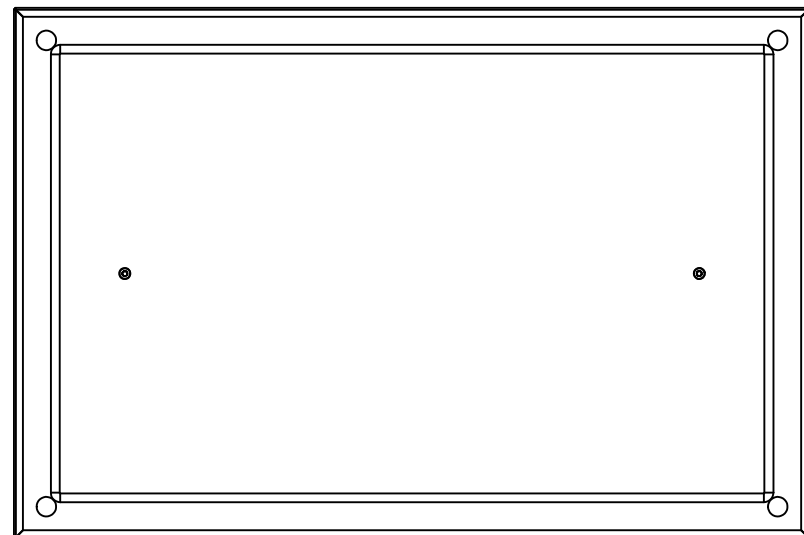
SEE BILL OF MATERIAL ON LAST PAGE

This drawing is confidential and must not be reproduced or used without the consent of EXM

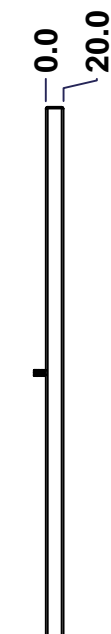
Ce dessin est confidentiel et ne doit pas être reproduit ou utilisé sans le consentement de EXM



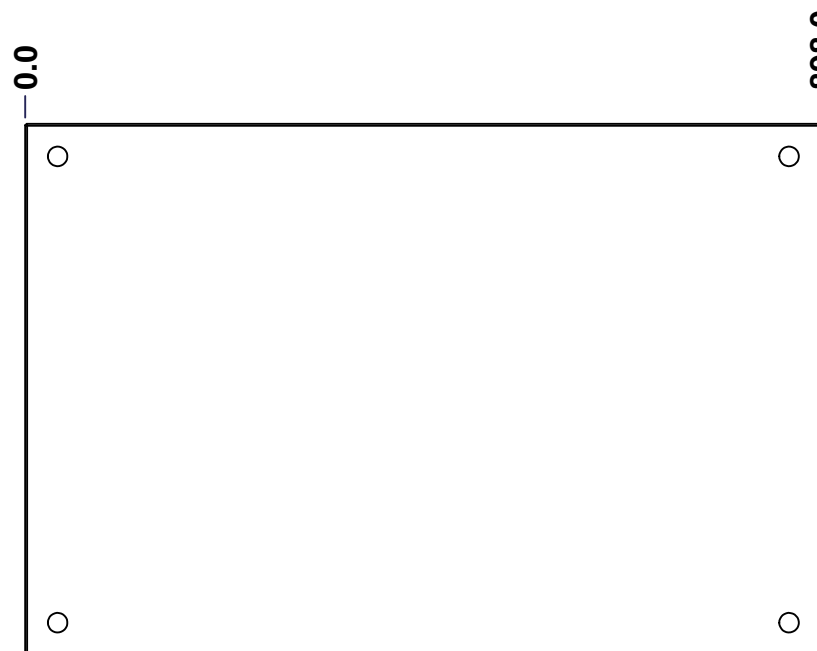
TOP



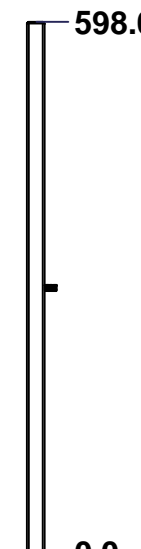
BACK



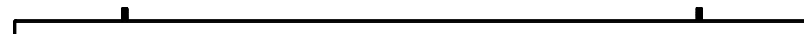
LEFT



FRONT

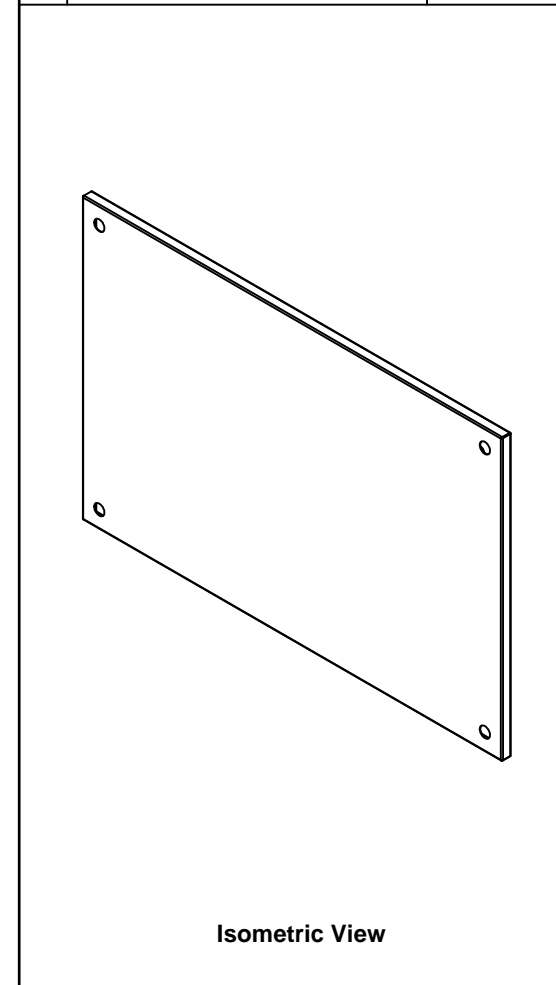


RIGHT





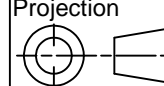
BOTTOM

| No. | Revisions | Date | By/Par |
|-----|-----------|------|--------|
| | | | |
| | | | |
| | | | |
| | | | |



Isometric View



| | | |
|--|---------------------------|---|
|  Tél: (450) 979-4373 Fax: (450) 979-4626 www.exmweb.com | | Flatness Aplatissement  Max 3.0mm Projection  |
| Customer Client | Date | |
| Drawn By Dessiné Par | BoxCad: Annie | Date 05/02/2015 |
| Material Matière | 16 Ga H.R.P. & O. (1.4mm) | |
| Color Couleur | Iron Grey RAL7011 | Finish Fini Rough Textured |
| Description 6500 MXT 900mm x 600mm Top | | Detail Rev. |
| Part Number Numéro Pièce | Rev. 0 | 1 3 |

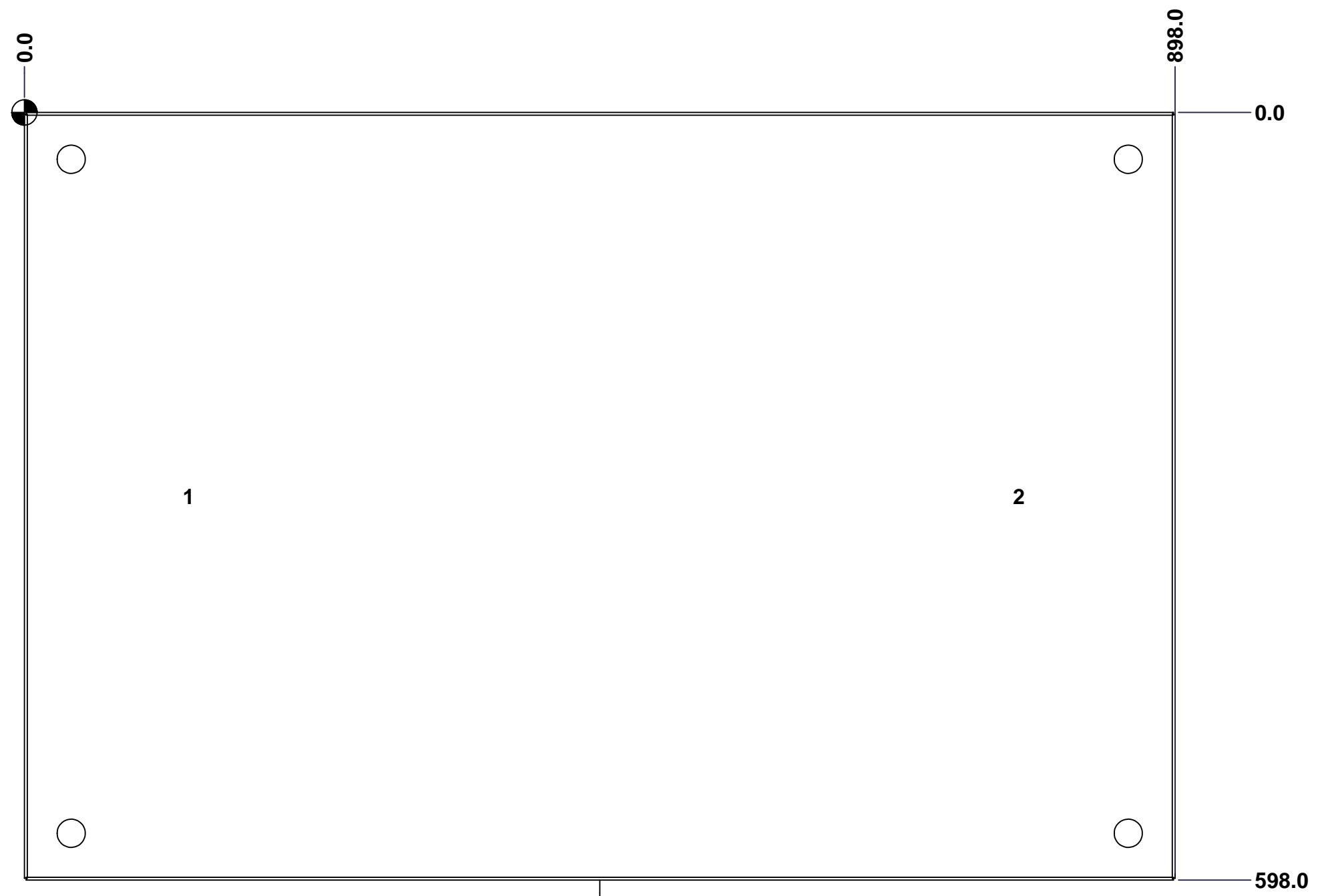
SEE BILL OF MATERIAL ON LAST PAGE

6500MXK160906T

This drawing is confidential and must not be reproduced or used without the consent of EXM

Ce dessin est confidentiel et ne doit pas être reproduit ou utilisé sans le consentement de EXM

| STANDARD FEATURES ARE NOT LISTED IN THIS HOLE TABLE | | | |
|---|-------|-------|-----------------------------|
| HOLE TABLE - FRONT VIEW (CUSTOM FEATURE ONLY) | | | |
| CUT-OUT | XDIM | YDIM | DESCRIPTION |
| 1 | 125.0 | 299.0 | GND STUD M6 x 16mm (Inside) |
| 2 | 773.0 | 299.0 | GND STUD M6 x 16mm (Inside) |



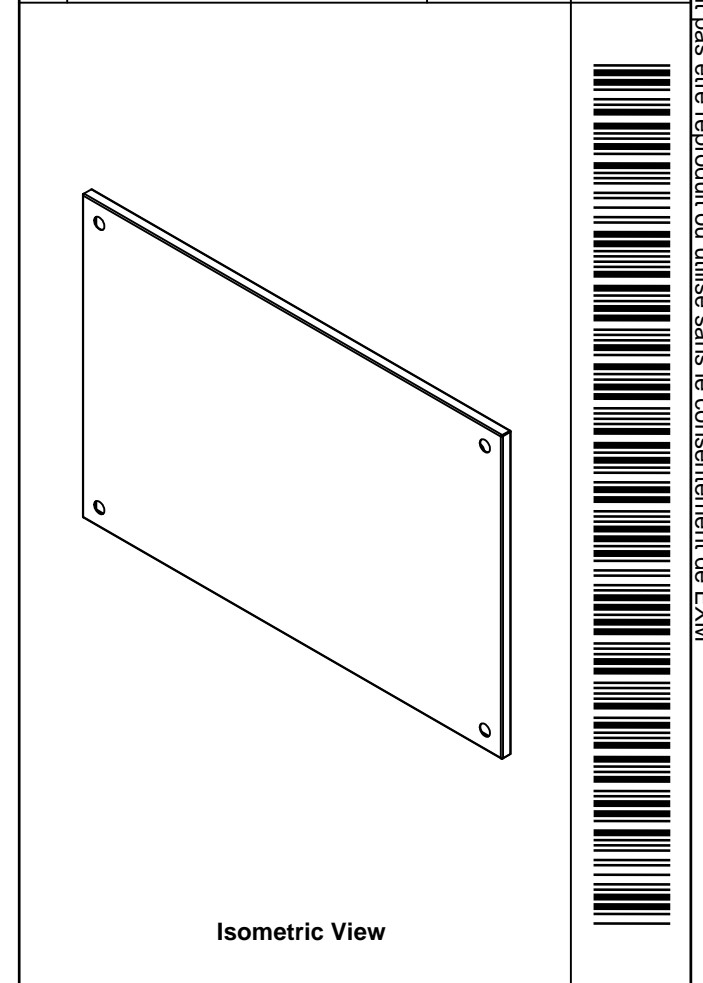
FRONT


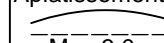
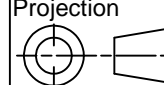
| | | |
|--|-----------------------------|----------|
| | Description | Status |
| | 6500 MXT 900mm x 600mm Top | (NULL) |
| | Part Number Numéro Pièce | Rev. |
| | 6500MXK160906T | 0 |
| | | 2 |
| | | 3 |

This drawing is confidential and must not be reproduced or used without the consent of EXM

Ce dessin est confidentiel et ne doit pas être reproduit ou utilisé sans le consentement de EXM

| No. | Revisions | Date | By/Par |
|-----|-----------|------|--------|
| | | | |
| | | | |
| | | | |
| | | | |
| | | | |

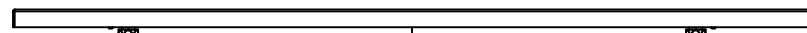


| | | |
|--|----------------------------|--|
|  Tél: (450) 979-4373 Fax: (450) 979-4626 www.exmweb.com | | Flatness Aplatissement  Max 3.0mm Projection  |
| Customer Client | Date | |
| Drawn By Dessiné Par | BoxCad: Annie | Date 05/02/2015 |
| Material Matière | 16 Ga H.R.P. & O. (1.4mm) | |
| Color Couleur | Iron Grey RAL7011 | Finish Fini Rough Textured |
| Description | 6500 MXT 900mm x 600mm Top | |
| Part Number Numéro Pièce | 6500MXK160906T | Rev. 3 0 |

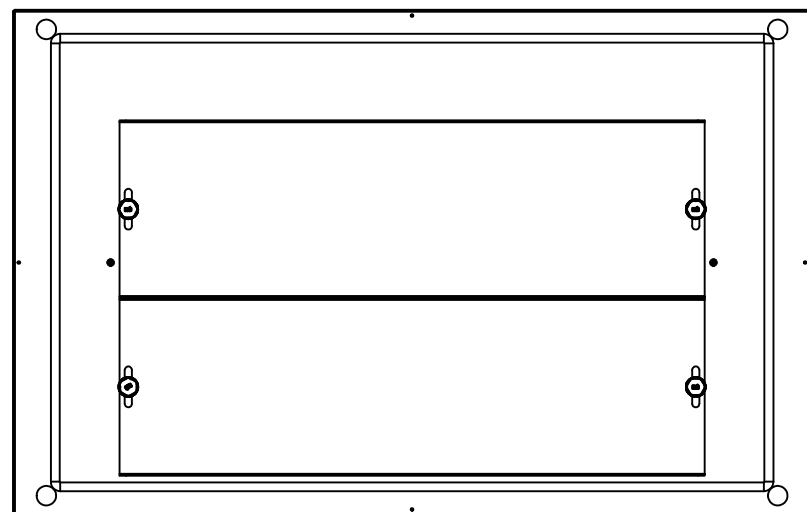
| Qty | Part Number | Rev | Description |
|------------|------------------|-------|---|
| 1 | STK-P-03810R | 0 | Powder Paint (Iron Grey / Rough Textured) |
| 2 | STK-Q-16080 | 0.1.1 | M6 x 16mm Ground Stud |
| 1 | 6500MXK160906TG | 0 | 6500 MXT 900mm x 600mm Top Gasket |
| 1 | 6500MXK160906T-P | 0 | 6500 MXT 900mm x 600mm Top Part |
| Parts List | | | |

This drawing is confidential and must not be reproduced or used without the consent of EXM

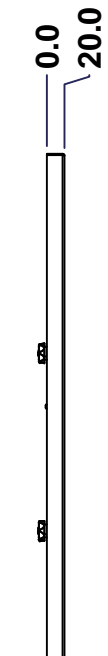
Ce dessin est confidentiel et ne doit pas être reproduit ou utilisé sans le consentement de EXM



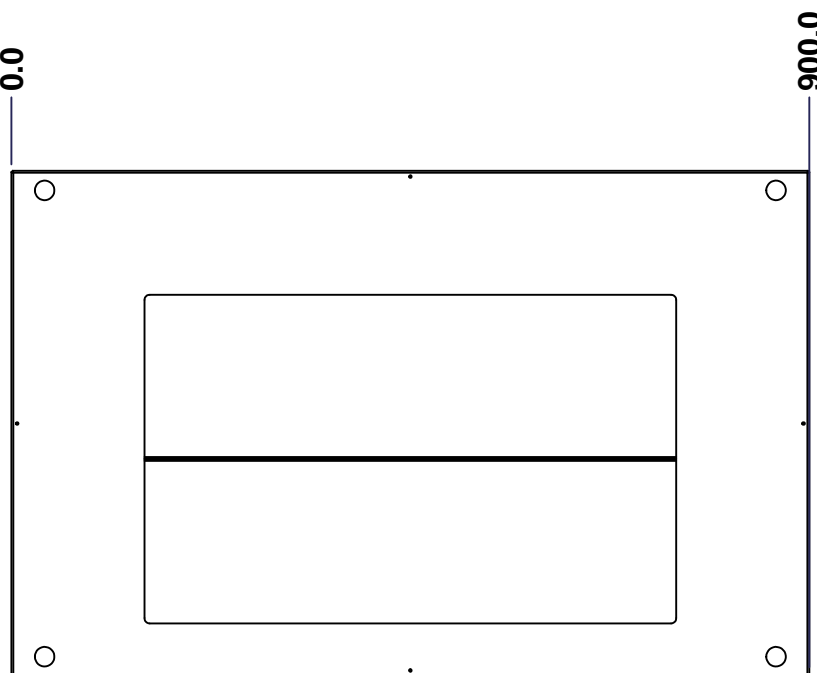
TOP



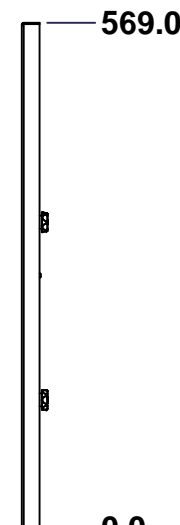
BACK



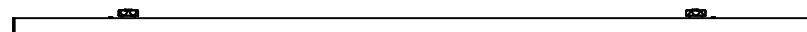
LEFT



FRONT

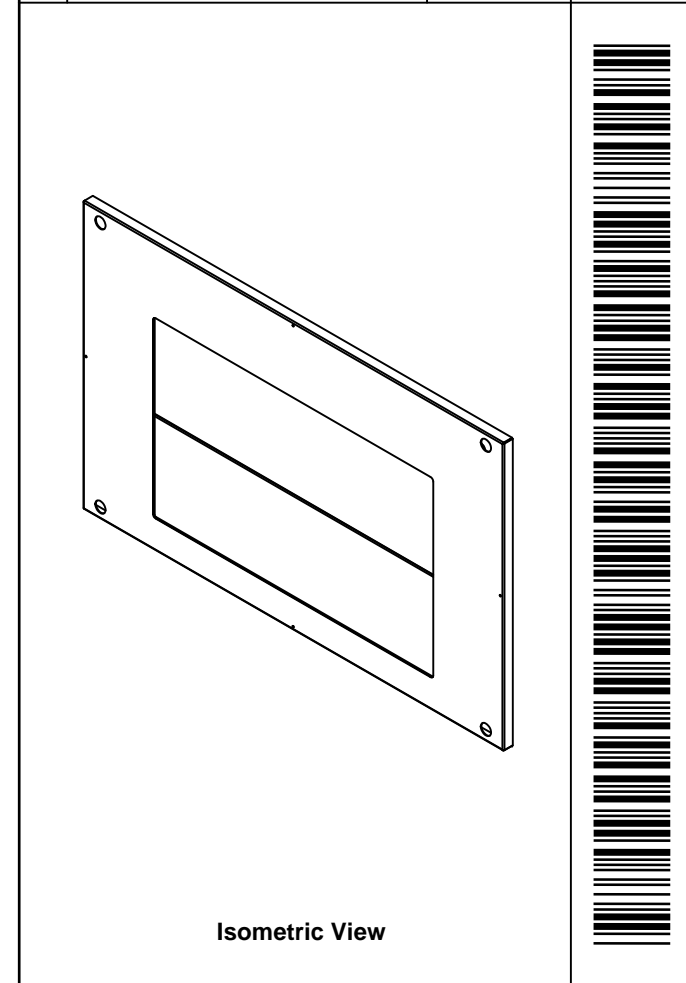



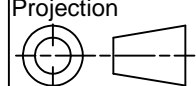
RIGHT



BOTTOM

| No. | Revisions | Date | By/Par |
|-----|-----------|------|--------|
| | | | |
| | | | |
| | | | |
| | | | |



| | | |
|--|---------------------------|---|
|  Tél: (450) 979-4373 Fax: (450) 979-4626 www.exmweb.com | | Flatness Aplatissement Max 3.0mm Projection  |
| Customer Client | Date | |
| Drawn By Dessiné Par | BoxCad: Annie | Date 05/02/2015 |
| Material Matière | 16 Ga H.R.P. & O. (1.4mm) | |
| Color Couleur | Iron Grey RAL7011 | Finish Fini Rough Textured |
| Description | | Detail Rev. |
| 6500 MXB 900mm x 600mm Bottom | | |
| Part Number Numéro Pièce | Rev. 1 | 3 |
| 6500MXK160906BT | | 0 |

SEE BILL OF MATERIAL ON LAST PAGE

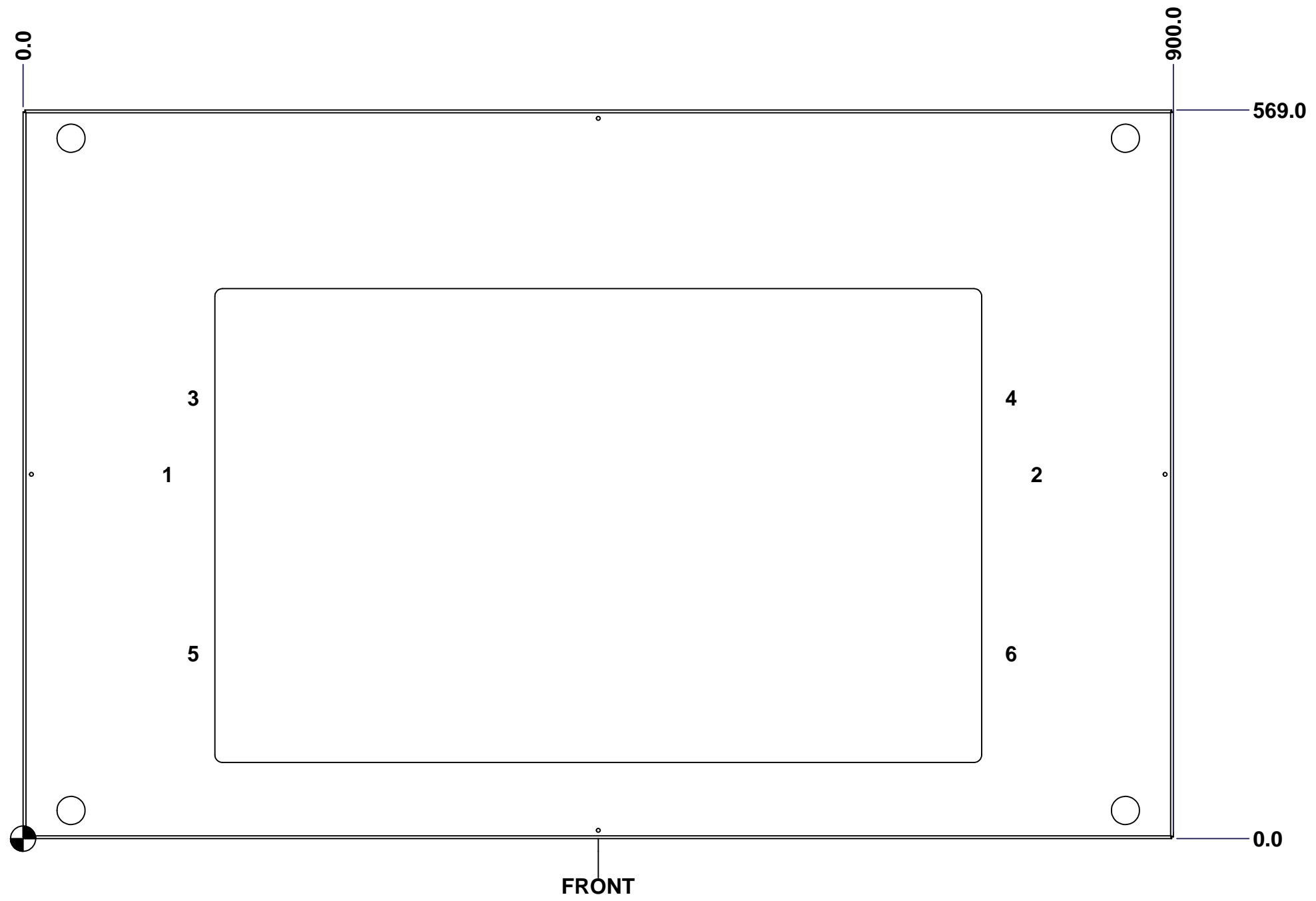
This drawing is confidential and must not be reproduced or used without the consent of EXM

Ce dessin est confidentiel et ne doit pas être reproduit ou utilisé sans le consentement de EXM

STANDARD FEATURES ARE NOT LISTED IN THIS HOLE TABLE

HOLE TABLE - FRONT VIEW (CUSTOM FEATURE ONLY)

| CUT-OUT | XDIM | YDIM | DESCRIPTION |
|---------|-------|-------|-----------------------------|
| 1 | 110.0 | 284.5 | GND STUD M6 x 16mm (Inside) |
| 2 | 790.0 | 284.5 | GND STUD M6 x 16mm (Inside) |
| 3 | 130.0 | 344.5 | GP STUD M6 x 10mm (Inside) |
| 4 | 770.0 | 344.5 | GP STUD M6 x 10mm (Inside) |
| 5 | 130.0 | 144.5 | GP STUD M6 x 10mm (Inside) |
| 6 | 770.0 | 144.5 | GP STUD M6 x 10mm (Inside) |

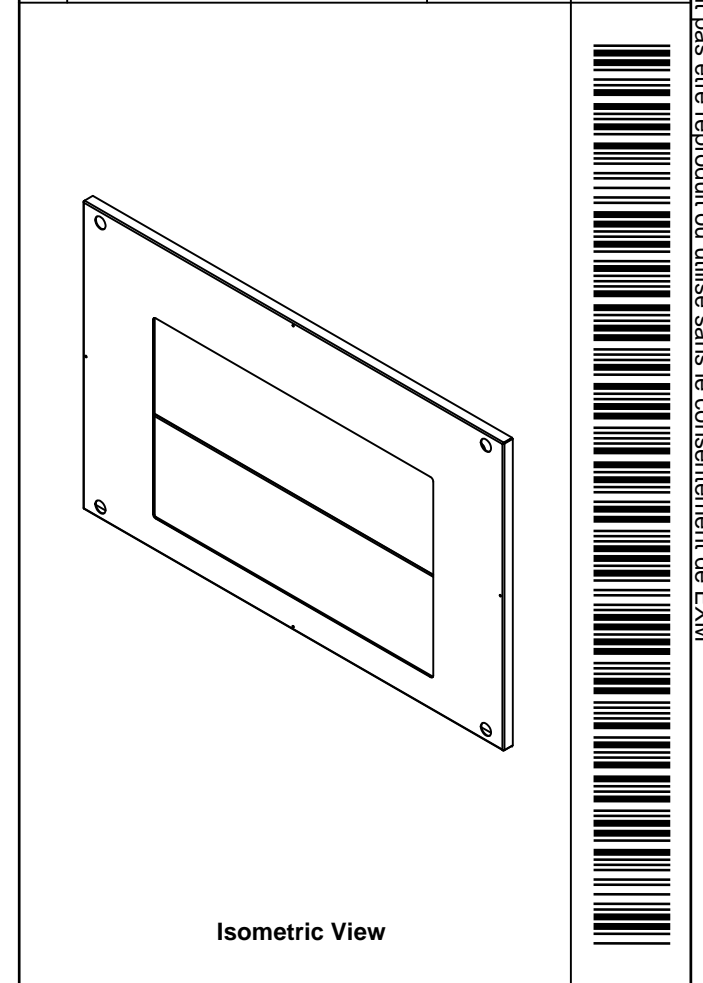


| | | |
|--|-------------------------------|----------|
| | Description | Status |
| | 6500 MXB 900mm x 600mm Bottom | (NULL) |
| | Part Number | Rev. |
| | Numéro Pièce | 2 |
| | 6500MXK160906BT | 0 |
| | | 3 |

This drawing is confidential and must not be reproduced or used without the consent of EXM

Ce dessin est confidentiel et ne doit pas être reproduit ou utilisé sans le consentement de EXM

| No. | Revisions | Date | By/Par |
|-----|-----------|------|--------|
| | | | |
| | | | |
| | | | |
| | | | |
| | | | |

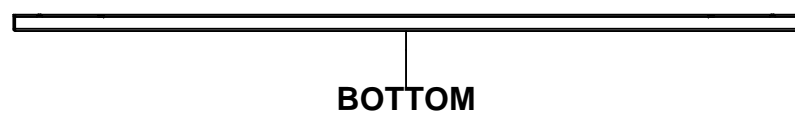
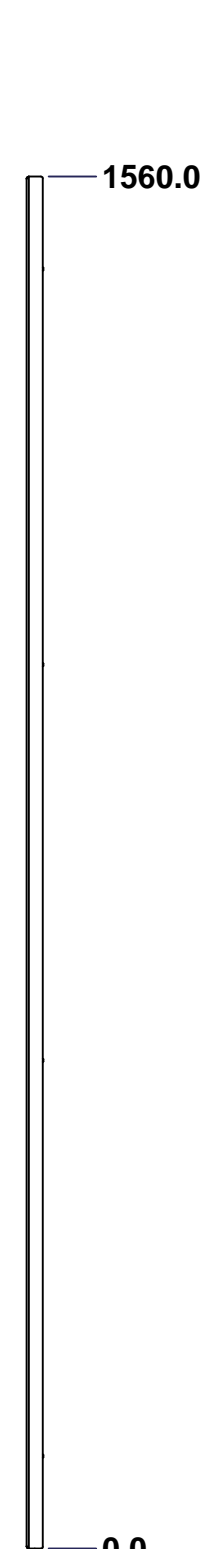
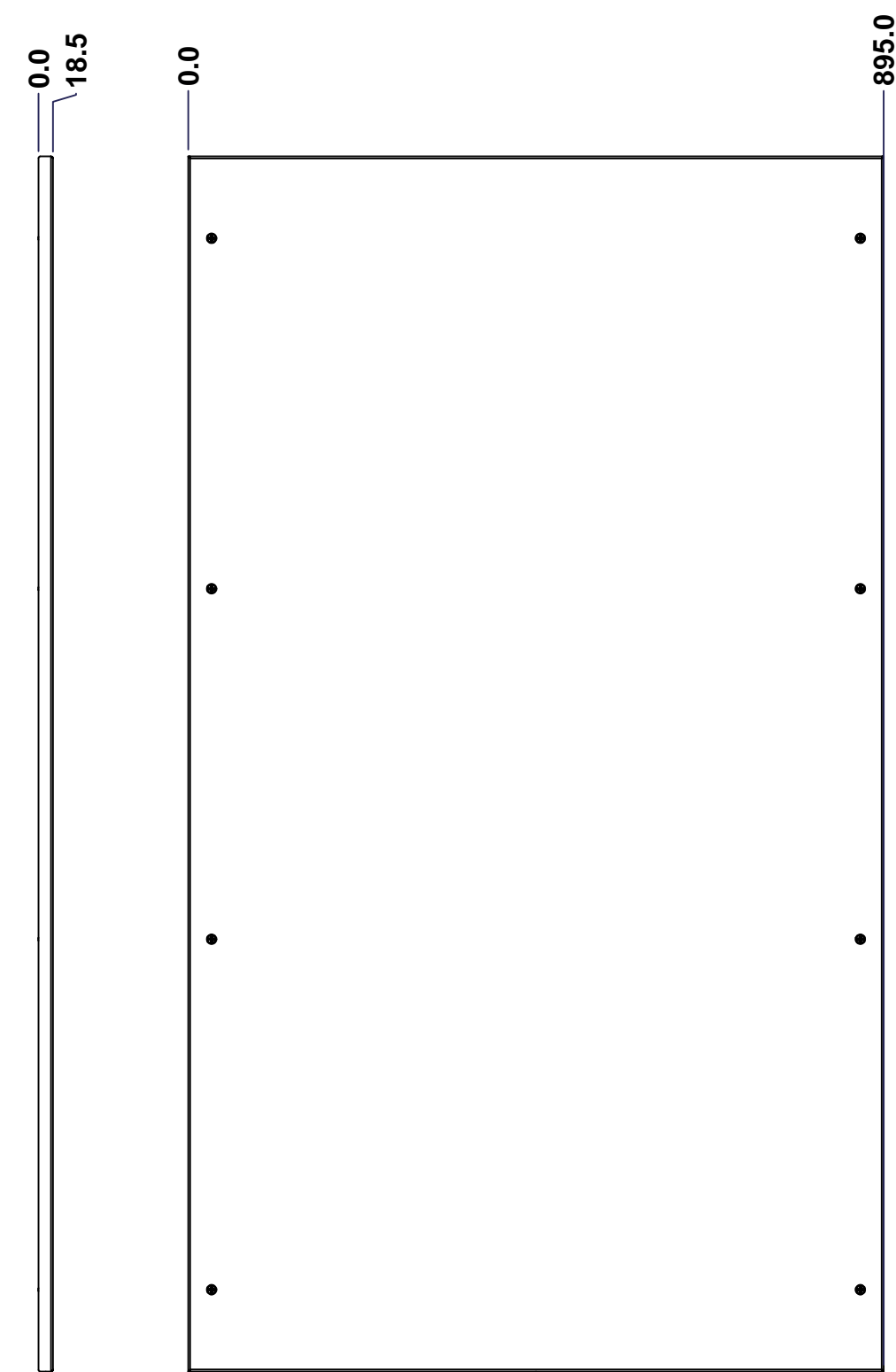
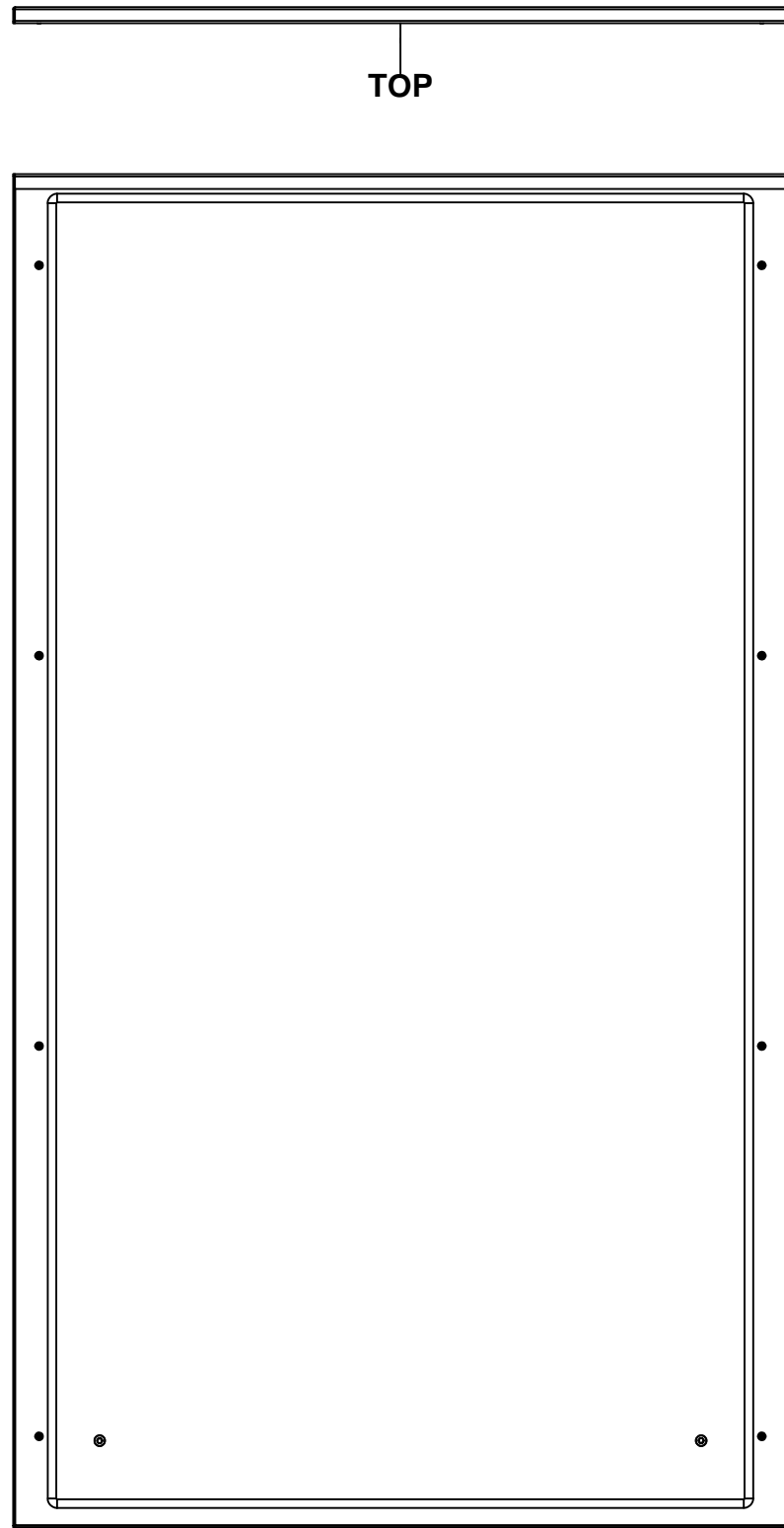


| | | | |
|--|--|-------------------------------|-------------|
| Tél: (450) 979-4373 Fax: (450) 979-4626 www.exmweb.com | | Flatness Aplatissement | |
| | | Max 3.0mm Projection | |
| Customer Client | | Date | |
| Drawn By Dessiné Par BoxCad: Annie | | Date 05/02/2015 | |
| Material Matière | | 16 Ga H.R.P. & O. (1.4mm) | |
| Color Couleur Iron Grey RAL7011 | | Finish Fini Rough Textured | |
| Description 6500 MXB 900mm x 600mm Bottom | | | Detail Rev. |
| Part Number Numéro Pièce | | Rev. | 3 |
| 6500MXK160906BT | | 0 | 3 |

| Qty | Part Number | Rev | Description |
|------------|----------------------|-----|--|
| 1 | STK-P-03810R | 0 | Powder Paint (Iron Grey / Rough Textured) |
| 4 | STK-Q-06001 | 0 | Mtrx - Gland Plate M6 Plastic Thumb Nut |
| 2 | STK-Q-16055 | 1 | M6 x 18mm Stud (No Paint Cap Required) |
| 2 | 6500MXK160906GP200-P | 0 | 6500 MXB 900mm Gland Plate Part (200mm) |
| 4 | STK-Q-16031 | 0 | M6 x 10mm Stud (No Paint Cap Required) |
| 1 | 6500MXK160906BTGPG | 0 | 6500 MXB 900mm x 600mm Bottom Gland Plate Gasket |
| 1 | 6500MXK160906BTG | 0 | 6500 MXB 900mm x 600mm Bottom Gasket |
| 1 | 6500MXK160906BT-P | 0 | 6500 MXB 900mm x 600mm Bottom Part |
| Parts List | | | |

This drawing is confidential and must not be reproduced or used without the consent of EXM

Ce dessin est confidentiel et ne doit pas être reproduit ou utilisé sans le consentement de EXM



| No. | Revisions | Date | By/Par |
|-----|-----------|------|--------|
| | | | |
| | | | |
| | | | |
| | | | |

Isometric View

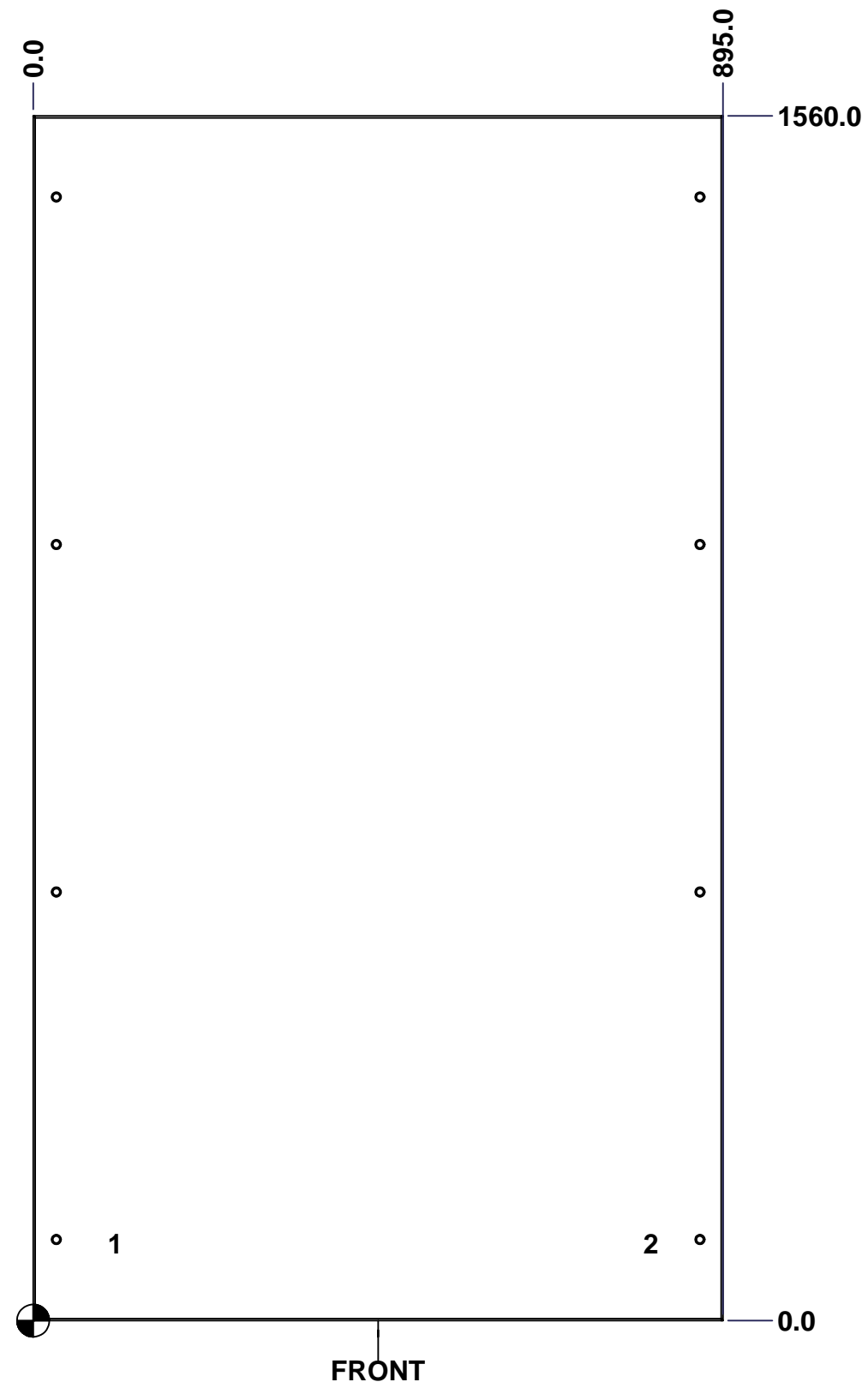
| | | | |
|---|--|---------------------------|--|
| <p>Tél: (450) 979-4373 Fax: (450) 979-4626 www.exmweb.com</p> | | Flatness Aplatissement | |
| | | Max 3.0mm | |
| Customer Client | | Projection | |
| Date | | | |
| Drawn By Dessiné Par | | Date | |
| BoxCad: Annie | | 05/02/2015 | |
| Material Matière | | 14 Ga H.R.P. & O. (1.7mm) | |
| Color Couleur | | Finish Fini | |
| Light Grey RAL7035 | | Rough Textured | |
| Description | | Detail Rev. | |
| 6500 MXR 1600mm x 900mm Back | | | |
| Part Number Numéro Pièce | | Rev. | |
| 6500MXK160906B | | 1 0 | |

SEE BILL OF MATERIAL ON LAST PAGE

This drawing is confidential and must not be reproduced or used without the consent of EXM

Ce dessin est confidentiel et ne doit pas être reproduit ou utilisé sans le consentement de EXM

| STANDARD FEATURES ARE NOT LISTED IN THIS HOLE TABLE | | | |
|---|-------|-------|-----------------------------|
| HOLE TABLE - FRONT VIEW (CUSTOM FEATURE ONLY) | | | |
| CUT-OUT | XDIM | YDIM | DESCRIPTION |
| 1 | 100.0 | 100.0 | GND STUD M6 x 16mm (Inside) |
| 2 | 795.0 | 100.0 | GND STUD M6 x 16mm (Inside) |

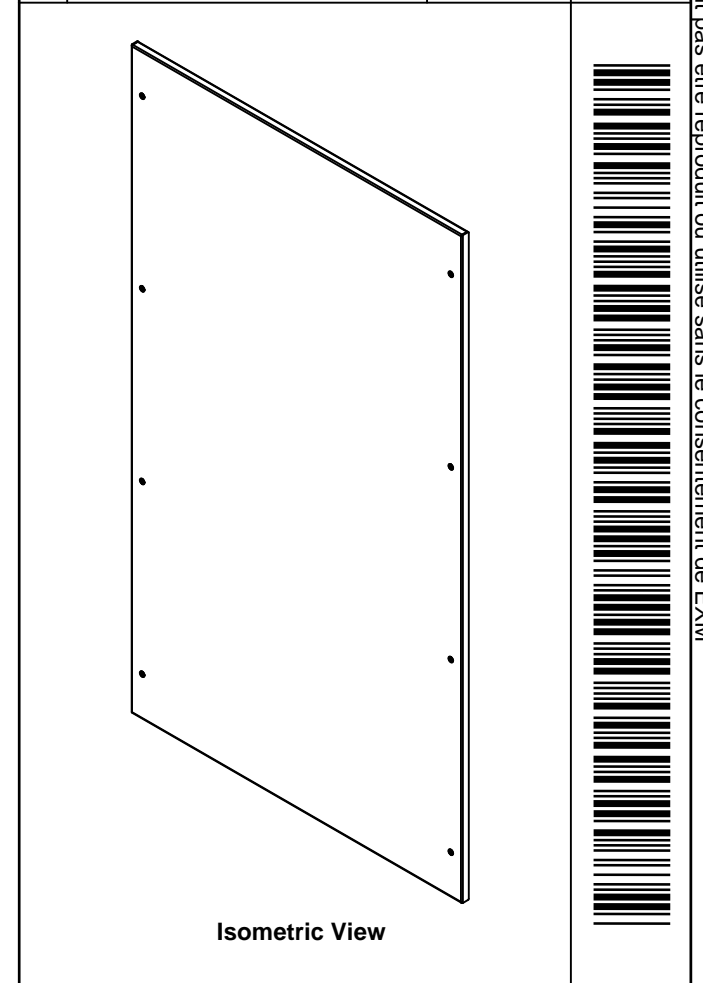



| | | |
|--|------------------------------|----------|
| | Description | Status |
| | 6500 MXR 1600mm x 900mm Back | (NULL) |
| | Part Number Numéro Pièce | Rev. |
| | 6500MXK160906B | 0 |
| | | 2 |
| | | 3 |

This drawing is confidential and must not be reproduced or used without the consent of EXM

Ce dessin est confidentiel et ne doit pas être reproduit ou utilisé sans le consentement de EXM

| No. | Revisions | Date | By/Par |
|-----|-----------|------|--------|
| | | | |
| | | | |
| | | | |
| | | | |
| | | | |



| | | | |
|--|--|---------------------------|-------------|
|  Tél: (450) 979-4373 Fax: (450) 979-4626 www.exmweb.com | | Flatness Aplatissement | |
| | | Max 3.0mm | |
| Customer Client | | Date | |
| Drawn By Dessiné Par | | Date | |
| BoxCad: Annie | | 05/02/2015 | |
| Material Matière | | | |
| 14 Ga H.R.P. & O. (1.7mm) | | | |
| Color Couleur | | Finish Fini | |
| Light Grey RAL7035 | | Rough Textured | |
| Description | | | Detail Rev. |
| 6500 MXR 1600mm x 900mm Back | | | |
| Part Number Numéro Pièce | | Rev. | 3 |
| 6500MXK160906B | | 0 | 3 |

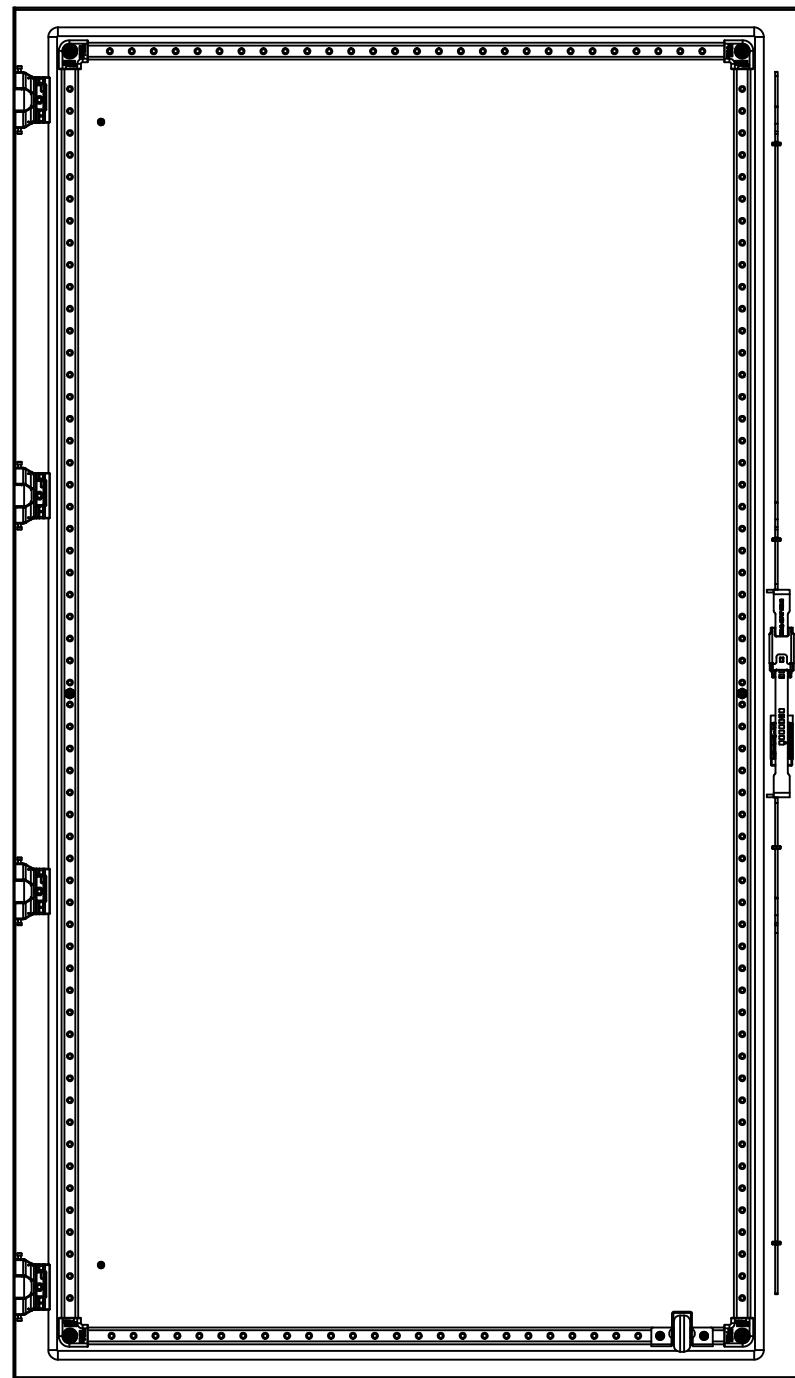
| Qty | Part Number | Rev | Description |
|------------|------------------|-------|--|
| 1 | STK-P-03820R | 0 | Powder Paint (Light Grey / Rough Textured) |
| 8 | STK-Q-03072 | 2 | M6 x 17mm Phillips Flat Head Screw |
| 2 | STK-Q-16080 | 0.1.1 | M6 x 16mm Ground Stud |
| 1 | 6500MXK160906BG | 0 | 6500 MXR 1600mm x 900mm Back Gasket |
| 1 | 6500MXK160906B-P | 0 | 6500 MXR 1600mm x 900mm Back Part |
| Parts List | | | |

This drawing is confidential and must not be reproduced or used without the consent of EXM

Ce dessin est confidentiel et ne doit pas être reproduit ou utilisé sans le consentement de EXM



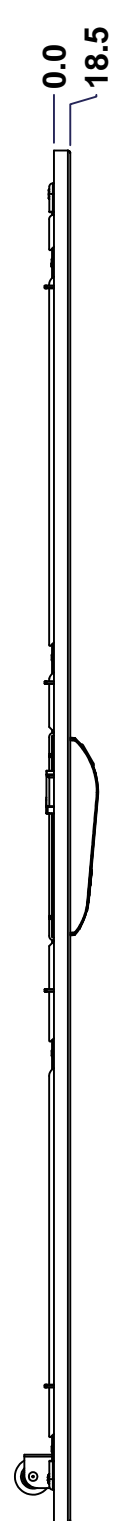
TOP



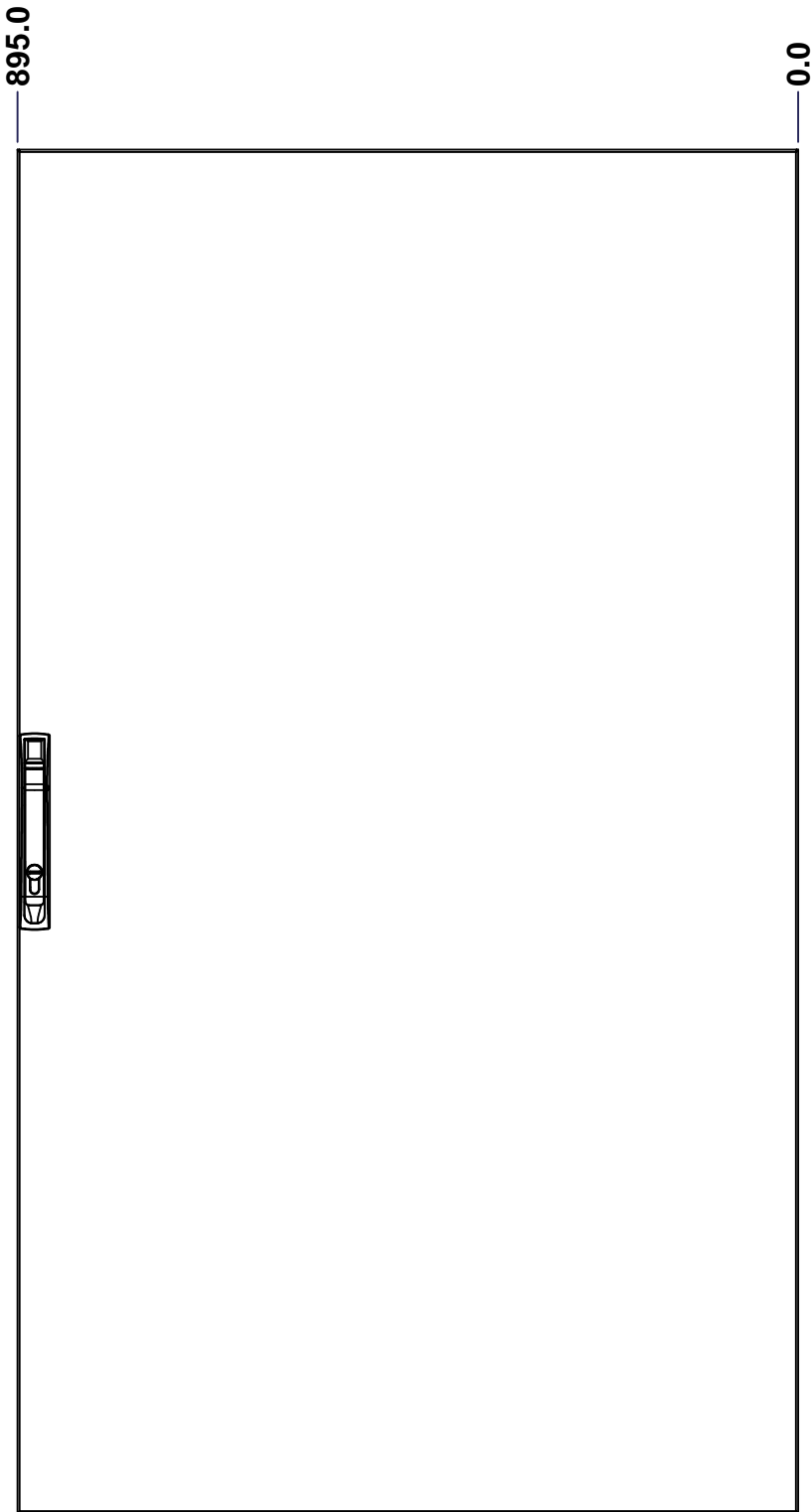
BACK



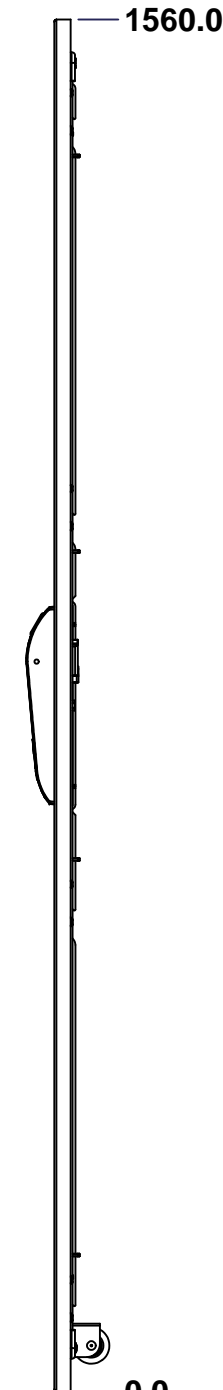
BOTTOM



LEFT

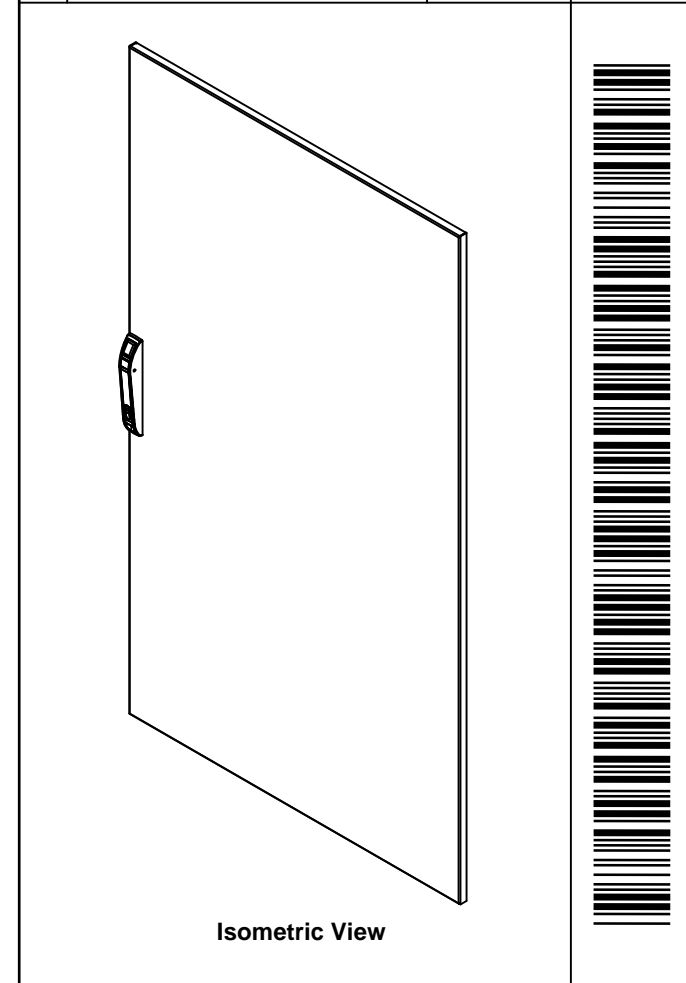


FRONT



RIGHT

| No. | Revisions | Date | By/Par |
|-----|-----------|------|--------|
| | | | |
| | | | |
| | | | |
| | | | |
| | | | |



| | | | |
|--|--|-------------------------------------|-------|
| Tél: (450) 979-4373 Fax: (450) 979-4626 www.exmweb.com | | Flatness Aplatissement | |
| | | Max 3.0mm | |
| Customer Client | | Projection | |
| Date | | | |
| Drawn By Dessiné Par BoxCad: Annie | | Date 05/02/2015 | |
| Material Matière 14 Ga H.R.P. & O. (1.7mm) | | Color Couleur Light Grey RAL7035 | |
| Description | | Finish Fini Rough Textured | |
| 6500 MXD 1600mm x 900mm Front | | Detail Rev. | |
| Part Number Numéro Pièce 6500MXK160906F | | Rev. 0 | 1 / 3 |

SEE BILL OF MATERIAL ON LAST PAGE

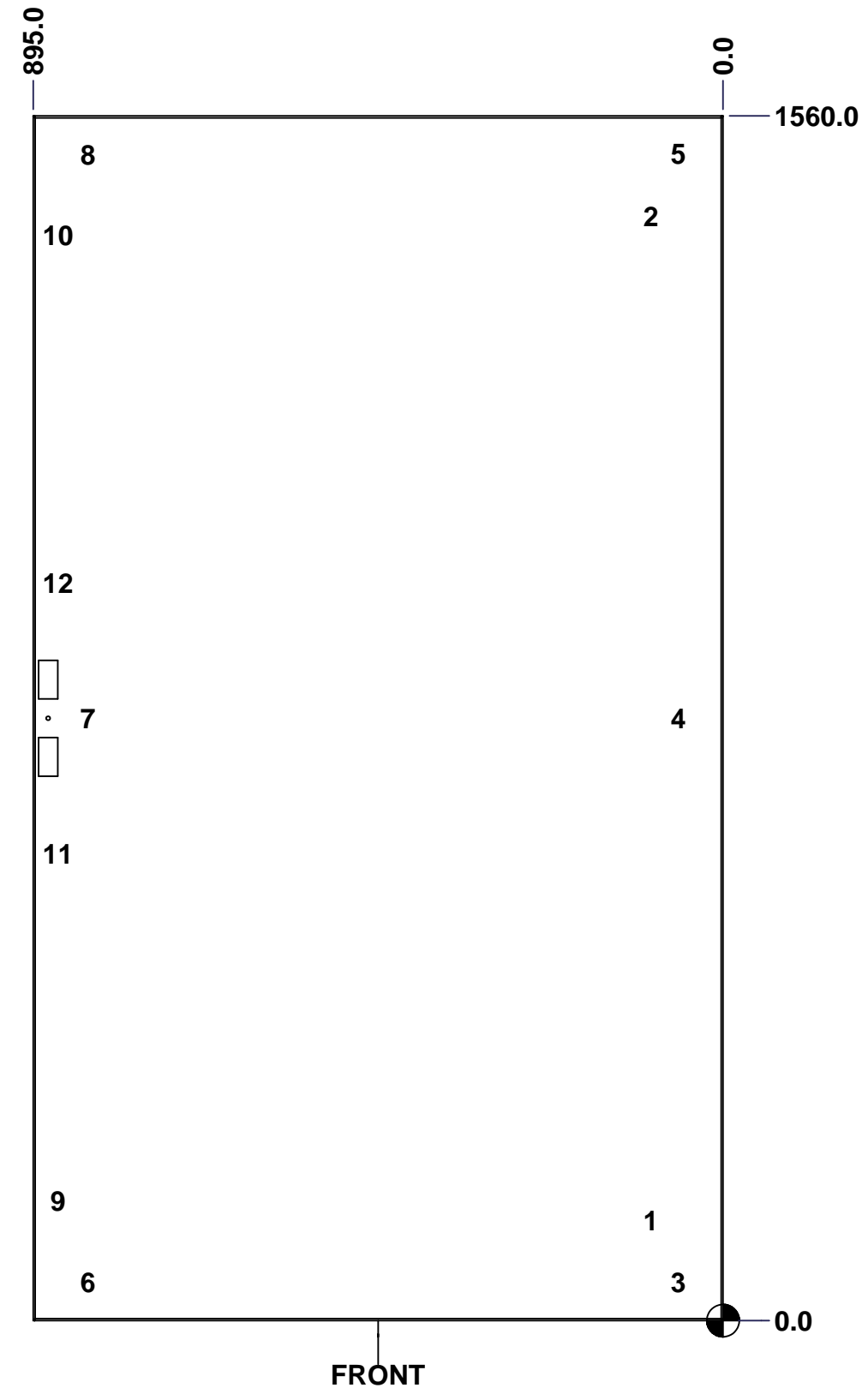
This drawing is confidential and must not be reproduced or used without the consent of EXM

Ce dessin est confidentiel et ne doit pas être reproduit ou utilisé sans le consentement de EXM

STANDARD FEATURES ARE NOT LISTED IN THIS HOLE TABLE

HOLE TABLE - FRONT VIEW (CUSTOM FEATURE ONLY)

| CUT-OUT | XDIM | YDIM | DESCRIPTION |
|---------|-------|--------|--------------------------------|
| 1 | 100.0 | 130.0 | GND STUD M6 x 16mm (Inside) |
| 2 | 100.0 | 1430.0 | GND STUD M6 x 16mm (Inside) |
| 3 | 64.5 | 49.5 | STIFF. STUD M6 x 18mm (Inside) |
| 4 | 64.5 | 780.0 | STIFF. STUD M6 x 18mm (Inside) |
| 5 | 64.5 | 1510.5 | STIFF. STUD M6 x 18mm (Inside) |
| 6 | 830.5 | 49.5 | STIFF. STUD M6 x 18mm (Inside) |
| 7 | 830.5 | 780.0 | STIFF. STUD M6 x 18mm (Inside) |
| 8 | 830.5 | 1510.5 | STIFF. STUD M6 x 18mm (Inside) |
| 9 | 869.5 | 155.0 | CLOSING BAR GUIDE (Inside) |
| 10 | 869.5 | 1405.0 | CLOSING BAR GUIDE (Inside) |
| 11 | 869.5 | 605.0 | CLOSING BAR GUIDE (Inside) |
| 12 | 869.5 | 955.0 | CLOSING BAR GUIDE (Inside) |



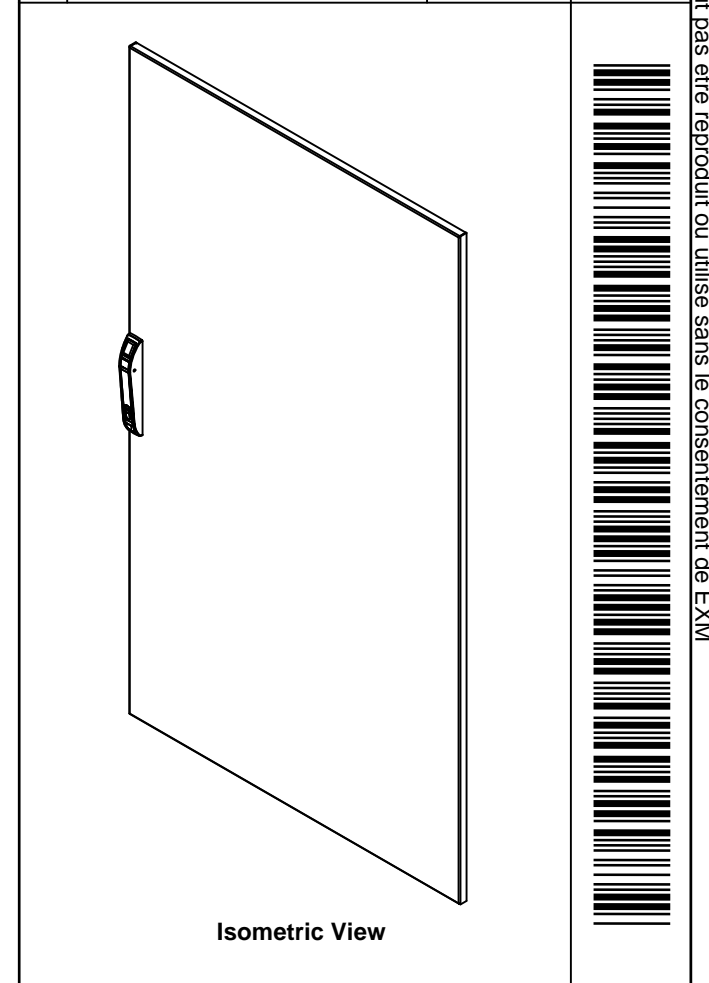
FRONT

| | | | |
|--|-------------------------------|--|------------------|
| | Description | | Status |
| | 6500 MXD 1600mm x 900mm Front | | (NULL) |
| | Part Number Numéro Pièce | | Rev. |
| | 6500MXK160906F | | 0 / 2 / 3 |

This drawing is confidential and must not be reproduced or used without the consent of EXM

Ce dessin est confidentiel et ne doit pas être reproduit ou utilisé sans le consentement de EXM

| No. | Revisions | Date | By/Par |
|-----|-----------|------|--------|
| | | | |
| | | | |
| | | | |
| | | | |
| | | | |



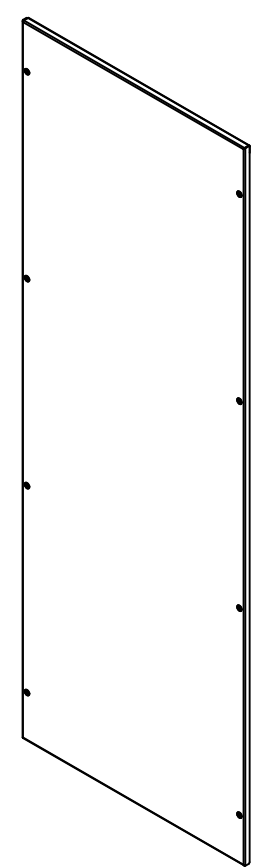
| 1 | STK-P-03820R | 0 | Powder Paint (Light Grey / Rough Textured) |
|------------|------------------|-----|--|
| 1 | 6500MXSRK | 1 | 6500 MXRSK Door Support Roller |
| 4 | STK-Q-78022 | 0 | Mtrx Closing Bar Slider |
| 1 | STK-Q-45746-16 | 1 | 6500 MXD - Lock Door Closing Bar |
| 4 | STK-Q-33105 | 4 | 5412 ESBU Buttable Hinge (Cover Part) |
| 1 | STK-Q-45729-16 | 2 | 6500 MXD - Lock Door Top Closing Bar |
| 1 | 886PHD-S | 4 | Euroform Pull Handle Kit |
| 8 | STK-Q-16055 | 1 | M6 x 18mm Stud (No Paint Cap Required) |
| 1 | 6500MXK160906DS1 | 5 | 6500 MX 1600mm x 900mm Door Stiffener |
| 1 | 6500MXK160906FG | 0 | 6500 MXD 1600mm x 900mm Front Gasket |
| 1 | 6500MXK160906F-P | 0 | 6500 MXD 1600mm x 900mm Front Part |
| 4 | STK-K-06811 | 1 | 6500 MX - Hinge Assy |
| Qty | Part Number | Rev | Description |
| Parts List | | | |

| | | |
|--|---------------------------|-------------------|
| Tél: (450) 979-4373 Fax: (450) 979-4626 www.exmweb.com | Flatness Aplatissement | Max 3.0mm |
| | Projection | |
| Customer Client | Date | |
| Drawn By Dessiné Par | BoxCad: Annie | Date 05/02/2015 |
| Material Matière | 14 Ga H.R.P. & O. (1.7mm) | |
| Color Couleur | Light Grey RAL7035 | Finish Fini |
| | | Rough Textured |
| Description | Detail Rev. | |
| 6500 MXD 1600mm x 900mm Front | | |
| Part Number Numéro Pièce | Rev. | 3 |
| 6500MXK160906F | 0 | 3 |

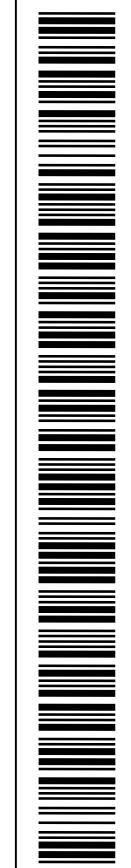
This drawing is confidential and must not be reproduced or used without the consent of EXM


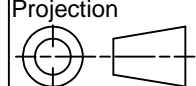
Ce dessin est confidentiel et ne doit pas être reproduit ou utilisé sans le consentement de EXM

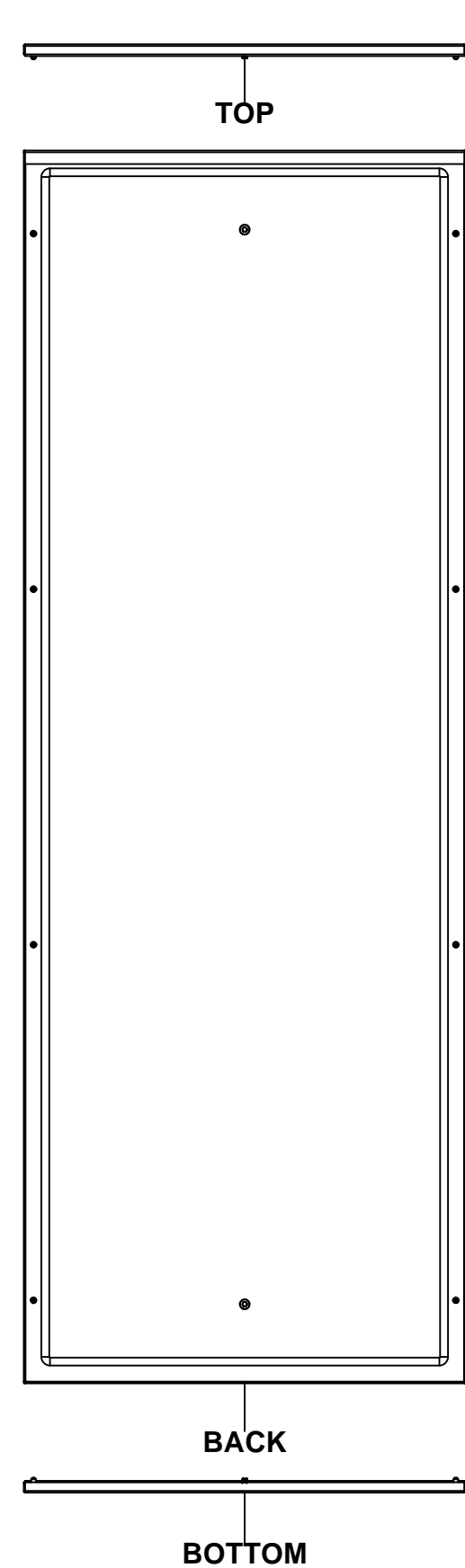
| No. | Revisions | Date | By/Par |
|-----|-----------|------|--------|
| | | | |
| | | | |
| | | | |
| | | | |
| | | | |



Isometric View



| | | | |
|--|-------------------------------|---|--------|
|  | | Flatness Aplatissement Max 3.0mm Projection | |
| Tél: (450) 979-4373 Fax: (450) 979-4626 www.exmweb.com | |  | |
| Customer Client | | Date | |
| Drawn By / Dessiné Par: BoxCad: Annie | | Date: 05/02/2015 | |
| Material / Matière: 16 Ga H.R.P. & O. (1.4mm) | | | |
| Color / Couleur: Light Grey RAL7035 | Finish / Fini: Rough Textured | | |
| Description: 6500 MXC 1600mm x 600mm Left | | Detail Rev. | |
| Part Number / Numéro Pièce: 6500MXK160906L | | Rev.: | 1 3 |

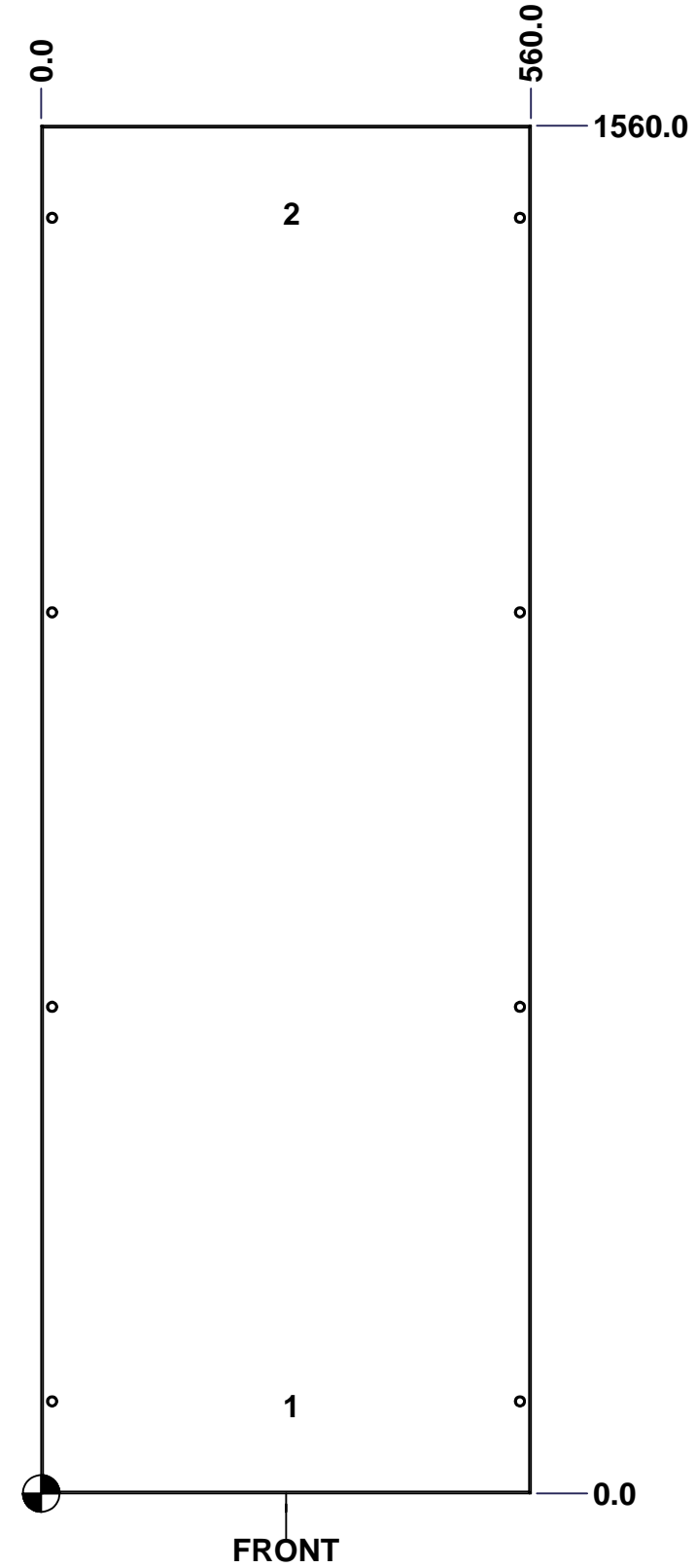


SEE BILL OF MATERIAL ON LAST PAGE

This drawing is confidential and must not be reproduced or used without the consent of EXM

Ce dessin est confidentiel et ne doit pas être reproduit ou utilisé sans le consentement de EXM

| STANDARD FEATURES ARE NOT LISTED IN THIS HOLE TABLE | | | |
|---|-------|--------|-----------------------------|
| HOLE TABLE - FRONT VIEW (CUSTOM FEATURE ONLY) | | | |
| CUT-OUT | XDIM | YDIM | DESCRIPTION |
| 1 | 280.0 | 100.0 | GND STUD M6 x 16mm (Inside) |
| 2 | 280.0 | 1460.0 | GND STUD M6 x 16mm (Inside) |

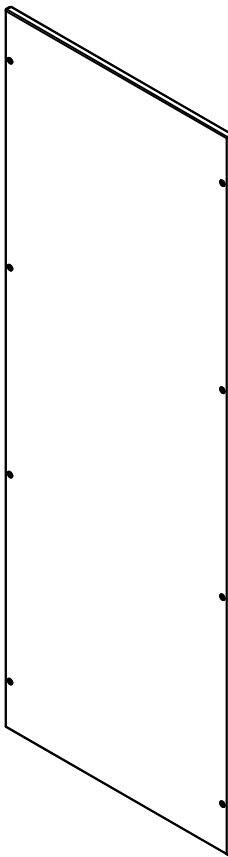


| | | |
|--|------------------------------|----------|
| | Description | Status |
| | 6500 MXC 1600mm x 600mm Left | (NULL) |
| | Part Number Numéro Pièce | Rev. |
| | 6500MXK160906L | 0 |
| | | 2 |
| | | 3 |


This drawing is confidential and must not be reproduced or used without the consent of EXM


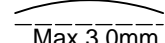
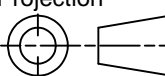
Ce dessin est confidentiel et ne doit pas être reproduit ou utilisé sans le consentement de EXM

| No. | Revisions | Date | By/Par |
|-----|-----------|------|--------|
| | | | |
| | | | |
| | | | |
| | | | |
| | | | |



Isometric View

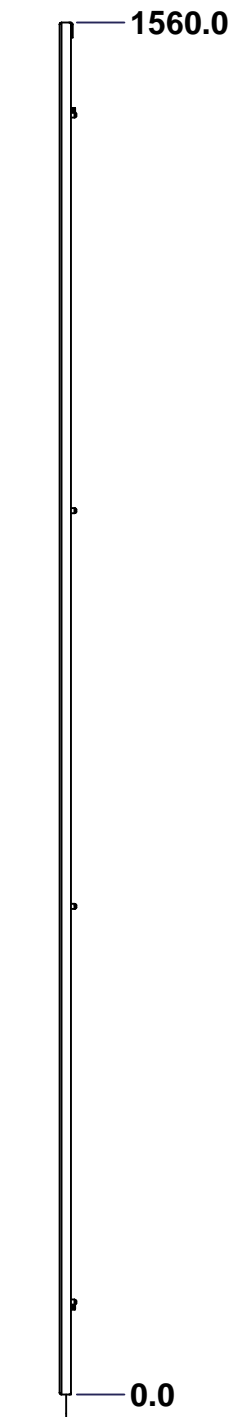
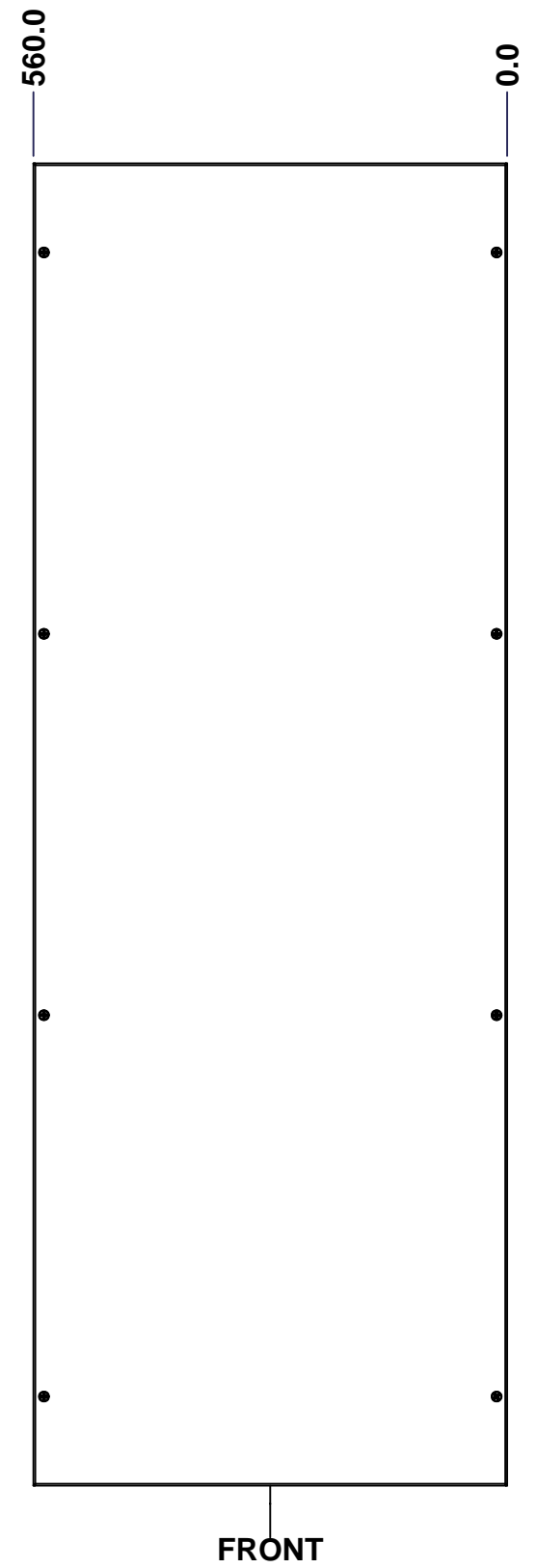
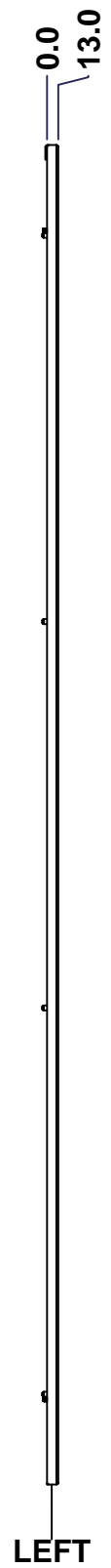
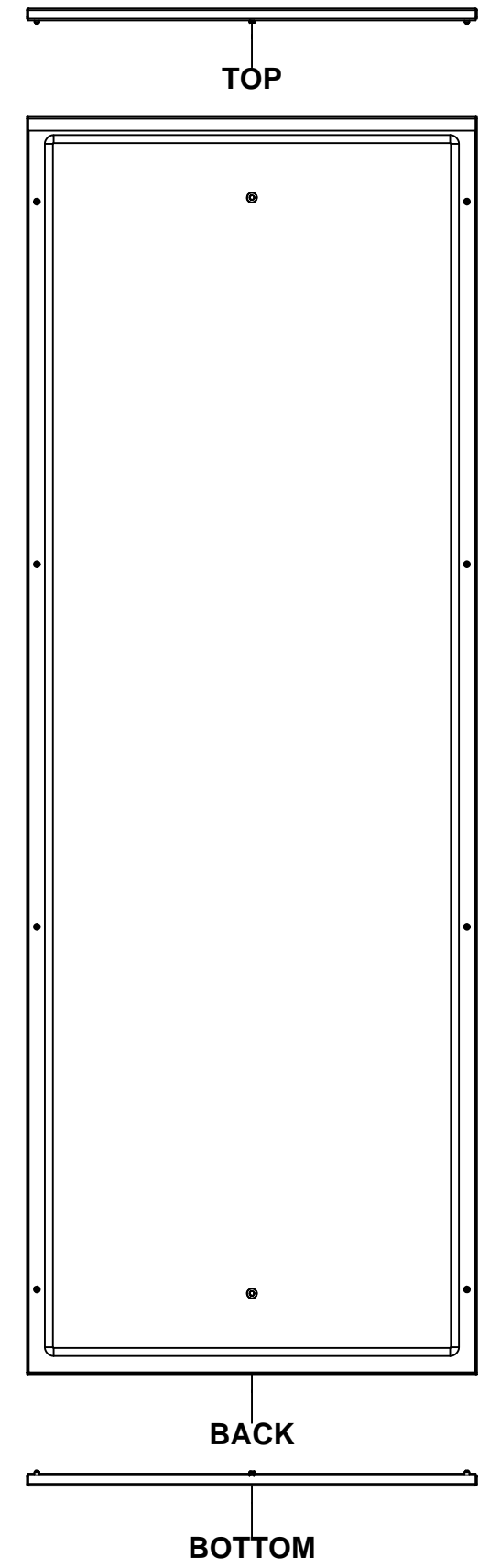


| | | | | | | | |
|---|---|--|--|---|--|---|---|
|  | | Tél: (450) 979-4373 Fax: (450) 979-4626 www.exmweb.com | | Flatness Aplatissement  Max 3.0mm | | | |
| Customer Client | | Date | | Projection  | | | |
| Drawn By / Dessiné Par: BoxCad: Annie | | Date: 05/02/2015 | | | | | |
| Material / Matière: 16 Ga H.R.P. & O. (1.4mm) | | | | | | | |
| Color / Couleur: Light Grey RAL7035 | | Finish / Fini: Rough Textured | | Detail Rev. | | | |
| Description: 6500 MXC 1600mm x 600mm Left | | | | Detail Rev. | | | |
| Part Number / Numéro Pièce: 6500MXK160906L | | | | Rev. 3 | | | |
| | | | | <table border="1" style="width: 100%;"> <tr> <td style="width: 50%; text-align: center;">0</td> <td style="width: 50%; text-align: center;">3</td> </tr> </table> | | 0 | 3 |
| 0 | 3 | | | | | | |

| Qty | Part Number | Rev | Description |
|------------|------------------|-------|--|
| 1 | STK-P-03820R | 0 | Powder Paint (Light Grey / Rough Textured) |
| 8 | STK-Q-03072 | 2 | M6 x 17mm Phillips Flat Head Screw |
| 2 | STK-Q-16080 | 0.1.1 | M6 x 16mm Ground Stud |
| 1 | 6500MXK160906LG | 0 | 6500 MXC 1600mm x 600mm Left Gasket |
| 1 | 6500MXK160906L-P | 0 | 6500 MXC 1600mm x 600mm Left Part |
| Parts List | | | |

This drawing is confidential and must not be reproduced or used without the consent of EXM

Ce dessin est confidentiel et ne doit pas être reproduit ou utilisé sans le consentement de EXM



| No. | Revisions | Date | By/Par |
|-----|-----------|------|--------|
| | | | |
| | | | |
| | | | |
| | | | |
| | | | |

Isometric View

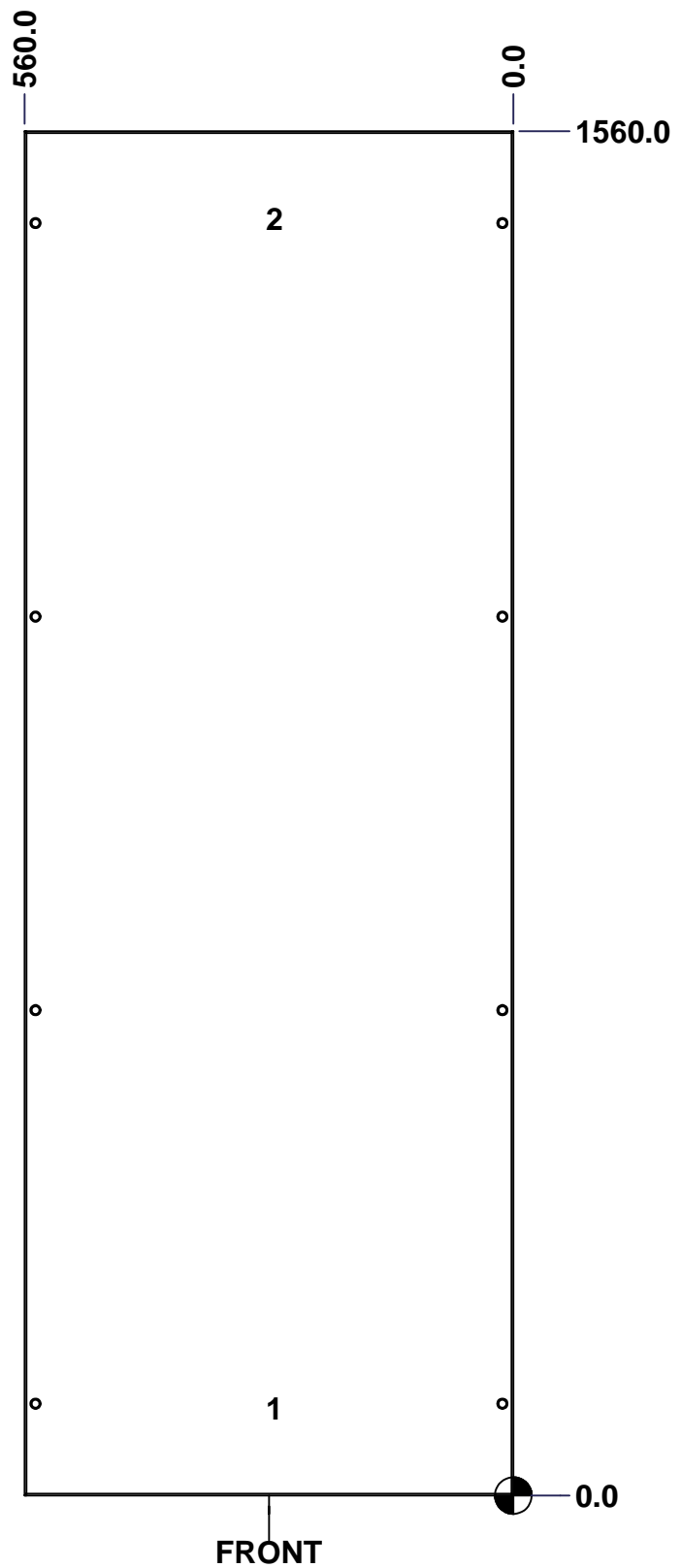
| | | | |
|---|--|--------------------------------------|-------|
| <p>Tél: (450) 979-4373 Fax: (450) 979-4626 www.exmweb.com</p> | | Flatness Aplatissement | |
| | | Max 3.0mm | |
| Customer Client | | Projection | |
| Date | | | |
| Drawn By Dessiné Par: BoxCad: Annie | | Date: 05/02/2015 | |
| Material Matière: 16 Ga H.R.P. & O. (1.4mm) | | Color Couleur: Light Grey RAL7035 | |
| Description | | Finish Fin: Rough Textured | |
| 6500 MXC 1600mm x 600mm Right | | Detail Rev. | |
| Part Number Numéro Pièce: 6500MXK160906R | | Rev. 0 | 1 / 3 |

SEE BILL OF MATERIAL ON LAST PAGE

This drawing is confidential and must not be reproduced or used without the consent of EXM

Ce dessin est confidentiel et ne doit pas être reproduit ou utilisé sans le consentement de EXM

| STANDARD FEATURES ARE NOT LISTED IN THIS HOLE TABLE | | | |
|---|-------|--------|-----------------------------|
| HOLE TABLE - FRONT VIEW (CUSTOM FEATURE ONLY) | | | |
| CUT-OUT | XDIM | YDIM | DESCRIPTION |
| 1 | 280.0 | 100.0 | GND STUD M6 x 16mm (Inside) |
| 2 | 280.0 | 1460.0 | GND STUD M6 x 16mm (Inside) |

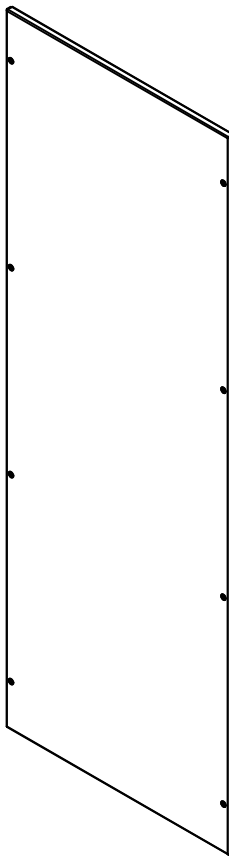


| | | |
|--|--|------------------------|
| | Description 6500 MXC 1600mm x 600mm Right | Status (NULL) |
| | Part Number Numéro Pièce 6500MXK160906R | Rev. 2 0 / 3 |


This drawing is confidential and must not be reproduced or used without the consent of EXM


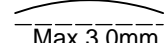
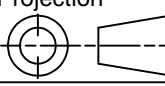
Ce dessin est confidentiel et ne doit pas être reproduit ou utilisé sans le consentement de EXM

| No. | Revisions | Date | By/Par |
|-----|-----------|------|--------|
| | | | |
| | | | |
| | | | |
| | | | |
| | | | |



Isometric View

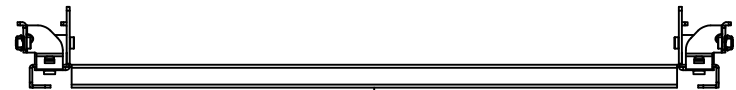


| | | | | | |
|---|--|--|--|---|--|
|  | | Tél: (450) 979-4373 Fax: (450) 979-4626 www.exmweb.com | | Flatness Aplatissement  Max 3.0mm | |
| Customer Client | | Date | | Projection  | |
| Drawn By Dessiné Par: BoxCad: Annie | | Date: 05/02/2015 | | | |
| Material Matière: 16 Ga H.R.P. & O. (1.4mm) | | | | | |
| Color Couleur: Light Grey RAL7035 | | Finish Fini: Rough Textured | | Description 6500 MXC 1600mm x 600mm Right | |
| Part Number Numéro Pièce: 6500MXK160906R | | Rev. 0 | | Detail Rev. 3 | |

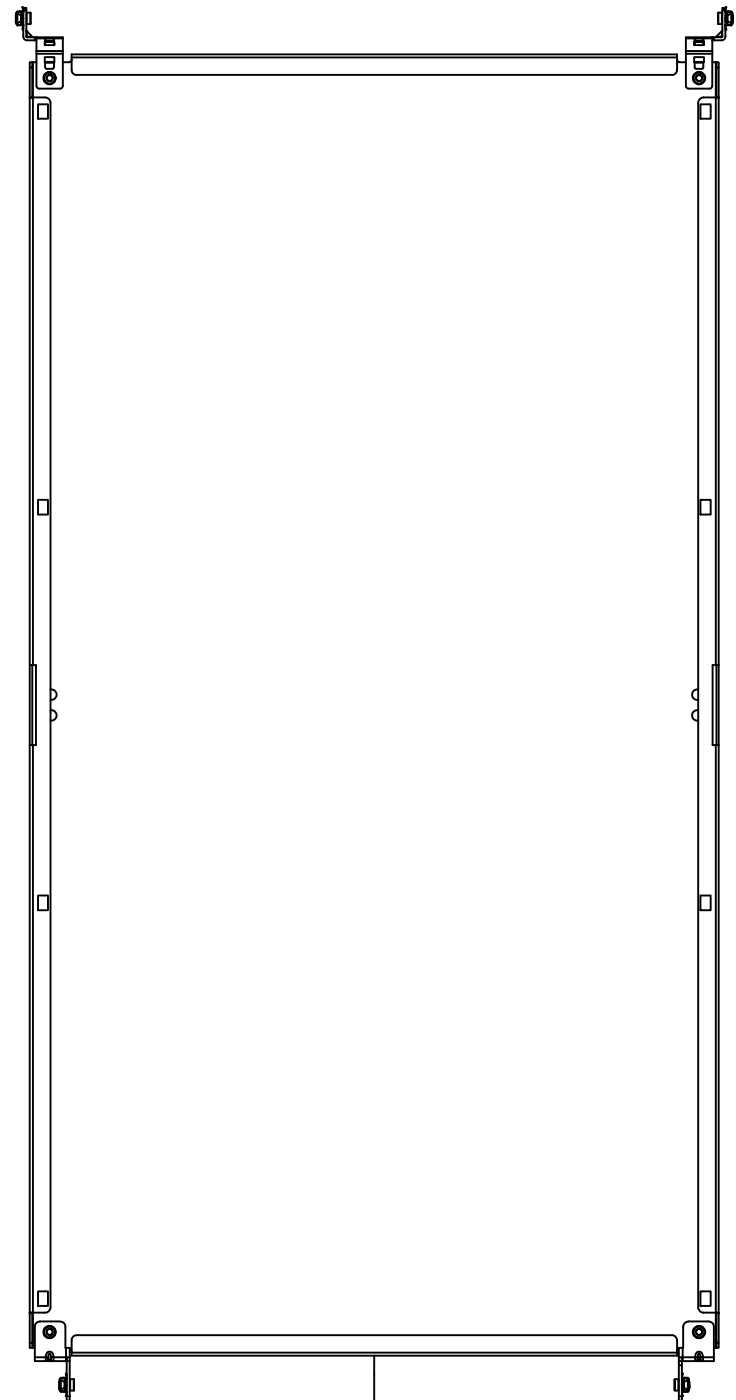
| Qty | Part Number | Rev | Description |
|------------|------------------|-------|--|
| 1 | STK-P-03820R | 0 | Powder Paint (Light Grey / Rough Textured) |
| 8 | STK-Q-03072 | 2 | M6 x 17mm Phillips Flat Head Screw |
| 2 | STK-Q-16080 | 0.1.1 | M6 x 16mm Ground Stud |
| 1 | 6500MXK160906RG | 0 | 6500 MXC 1600mm x 600mm Right Gasket |
| 1 | 6500MXK160906R-P | 0 | 6500 MXC 1600mm x 600mm Right Part |
| Parts List | | | |

This drawing is confidential and must not be reproduced or used without the consent of EXM

Ce dessin est confidentiel et ne doit pas être reproduit ou utilisé sans le consentement de EXM



TOP

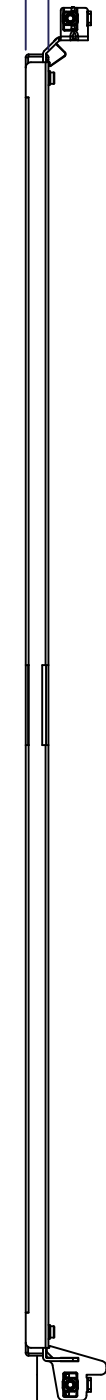


BACK



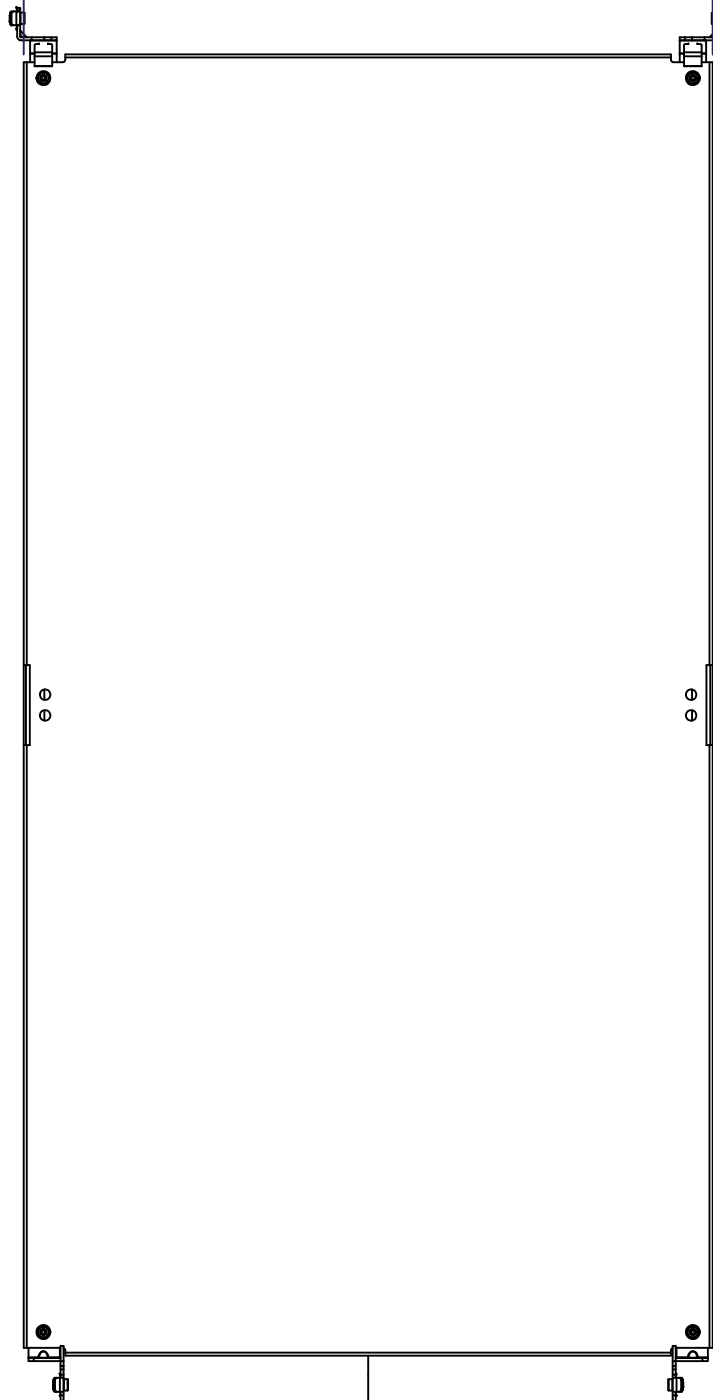
BOTTOM

0.0
26.0



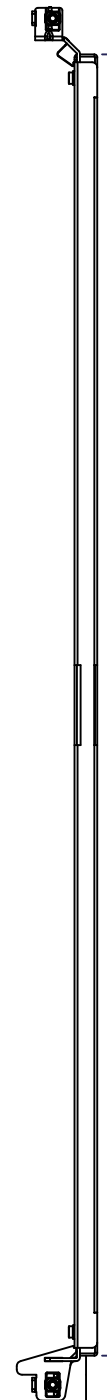
LEFT

0.0
785.0



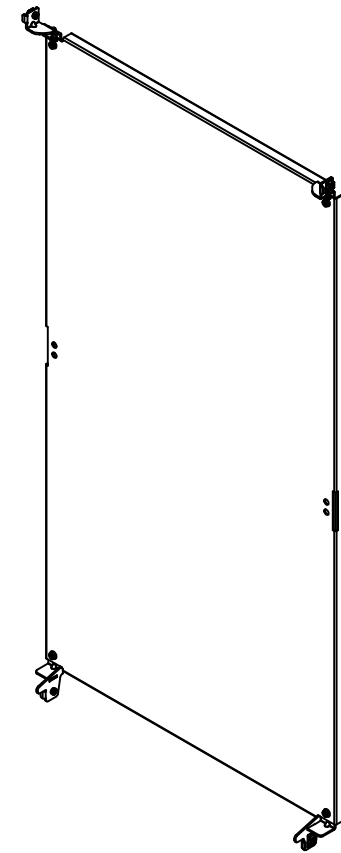
FRONT

1480.0



RIGHT

0.0



Isometric View

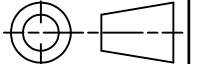


Tél: (450) 979-4373
Fax: (450) 979-4626
www.exmweb.com

Flatness
Aplatissement

Max 3.0mm

Projection



Customer Client Date

Drawn By Dessiné Par BoxCad: Annie Date 05/02/2015

Material Matière 12 Ga Galvanized (2.5mm)

Color Couleur Unpainted Finish Fini Unpainted

Description 6500 MXM 1600mm x 900mm Back Inner Panel Detail Rev.

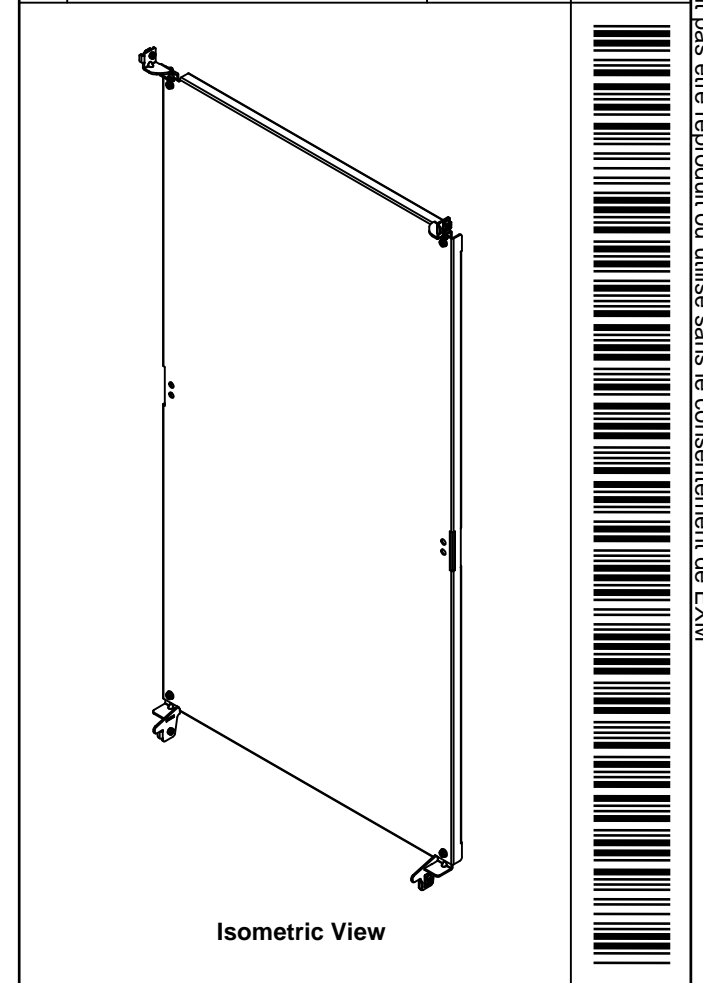
Part Number Numéro Pièce 6500MXK160906BIP Rev. 0 1 3


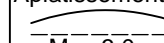
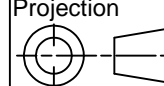
SEE BILL OF MATERIAL ON LAST PAGE

This drawing is confidential and must not be reproduced or used without the consent of EXM

Ce dessin est confidentiel et ne doit pas être reproduit ou utilisé sans le consentement de EXM

| No. | Revisions | Date | By/Par |
|-----|-----------|------|--------|
| | | | |
| | | | |
| | | | |
| | | | |
| | | | |



| | | |
|--|--------------------------|---|
|  Tél: (450) 979-4373 Fax: (450) 979-4626 www.exmweb.com | | Flatness Aplatissement  Max 3.0mm Projection  |
| Customer Client | Date | |
| Drawn By Dessiné Par | BoxCad: Annie | Date 05/02/2015 |
| Material Matière | 12 Ga Galvanized (2.5mm) | |
| Color Couleur | Unpainted | Finish Fini Unpainted |
| Description 6500 MXM 1600mm x 900mm Back Inner Panel | | Detail Rev. |
| Part Number Numéro Pièce | Rev. 0 | 3 |
| 6500MXK160906BIP | | 3 |

| Qty | Part Number | Rev | Description |
|------------|--------------------|-----|--|
| 1 | STK-A-49005 | 0 | 6500MXM - Bottom Inner Panel Support Kit (Right) |
| 1 | STK-A-49000 | 0 | 6500MXM - Bottom Inner Panel Support Kit (Left) |
| 1 | STK-A-49015 | 0 | 6500MXM - Top Inner Panel Support Kit (Right) |
| 1 | STK-A-49010 | 0 | 6500MXM - Top Inner Panel Support Kit (Left) |
| 1 | 6500MXK160906BIP-P | 0 | 6500 MXM 1600mm x 900mm Back Inner Panel Part |
| Parts List | | | |