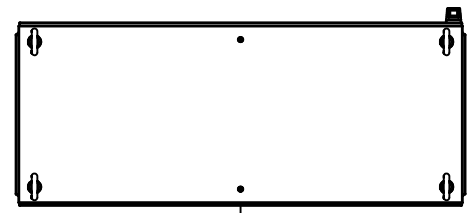
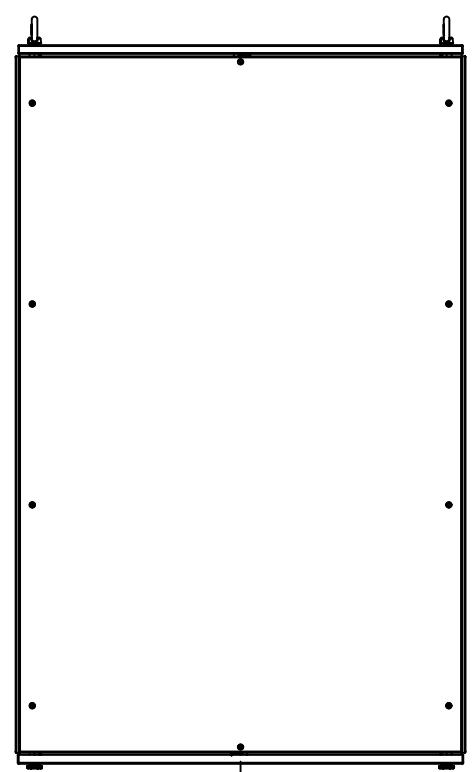


This drawing is confidential and must not be reproduced or used without the consent of EXM

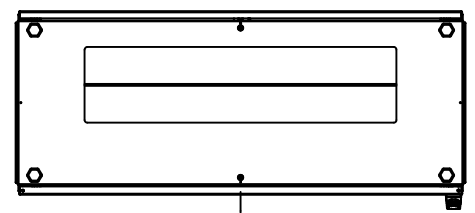
Ce dessin est confidentiel et ne doit pas être reproduit ou utilisé sans le consentement de EXM



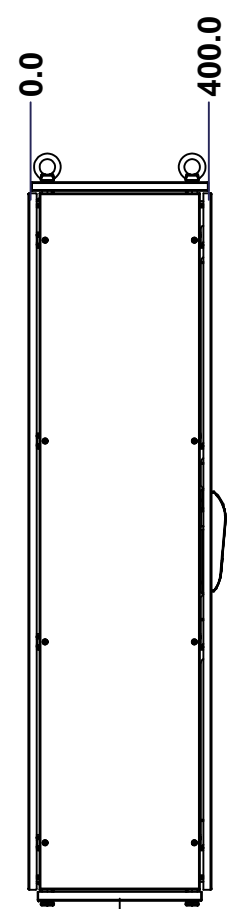
TOP



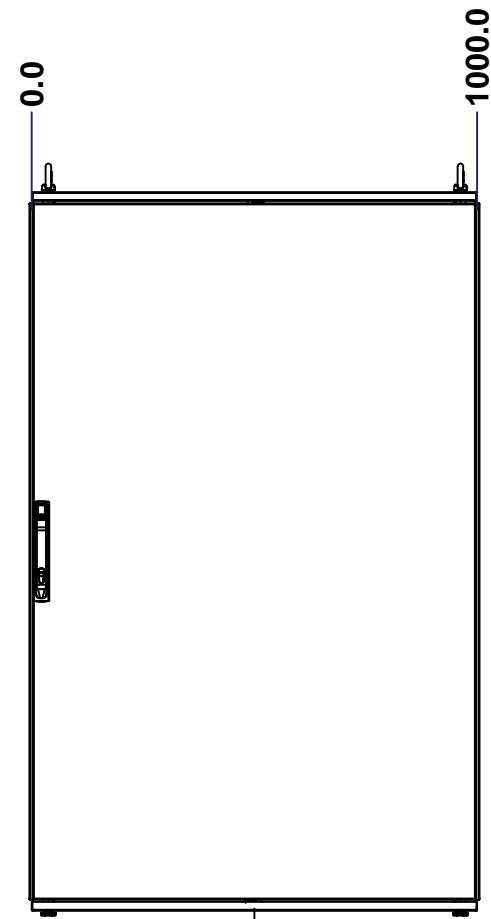
BACK



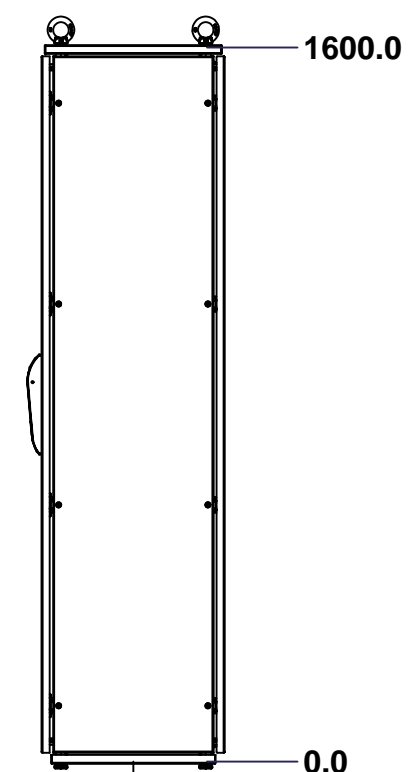
BOTTOM



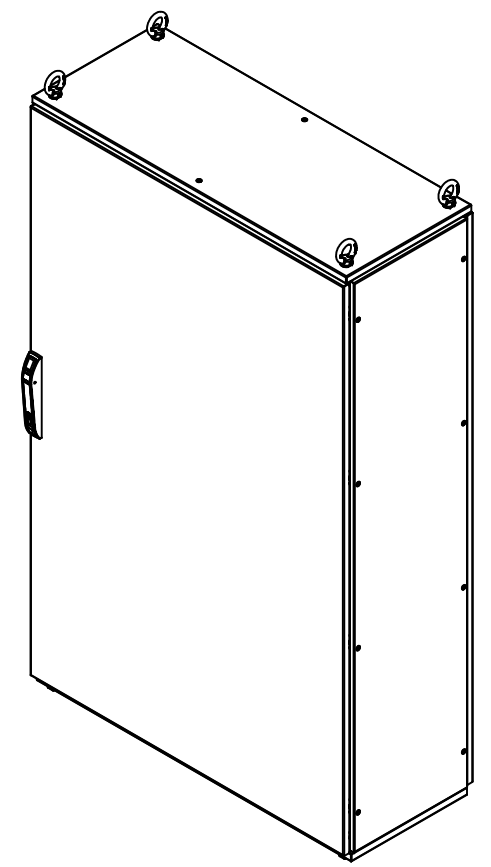
LEFT



FRONT




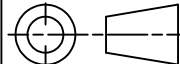
RIGHT



Isometric View



| No. | Revisions | Date | By/Par |
|-----|-----------|------|--------|
|     |           |      |        |
|     |           |      |        |
|     |           |      |        |
|     |           |      |        |
|     |           |      |        |

|  |               |   |
|--|---------------|---|
|  Tél: (450) 979-4373<br>Fax: (450) 979-4626<br><a href="http://www.exmweb.com">www.exmweb.com</a> |               | Flatness<br>Aplatissement<br>Max 3.0mm<br>Projection<br> |
| Customer<br>Client   | Date          | Date  |
| Drawn By<br>Dessiné Par  | BoxCad: Annie | Date 05/02/2015   |
| Material<br>Matière  | See Part List |   |
| Color<br>Couleur   | See Part List | Finish<br>Fini See Part List  |
| Description<br>6500MX 1600mm x 1000mm x 400mm<br>Assembly  | Detail Rev.   |   |
| Part Number<br>Numéro Pièce  | Rev. 0        | 1<br>2  |

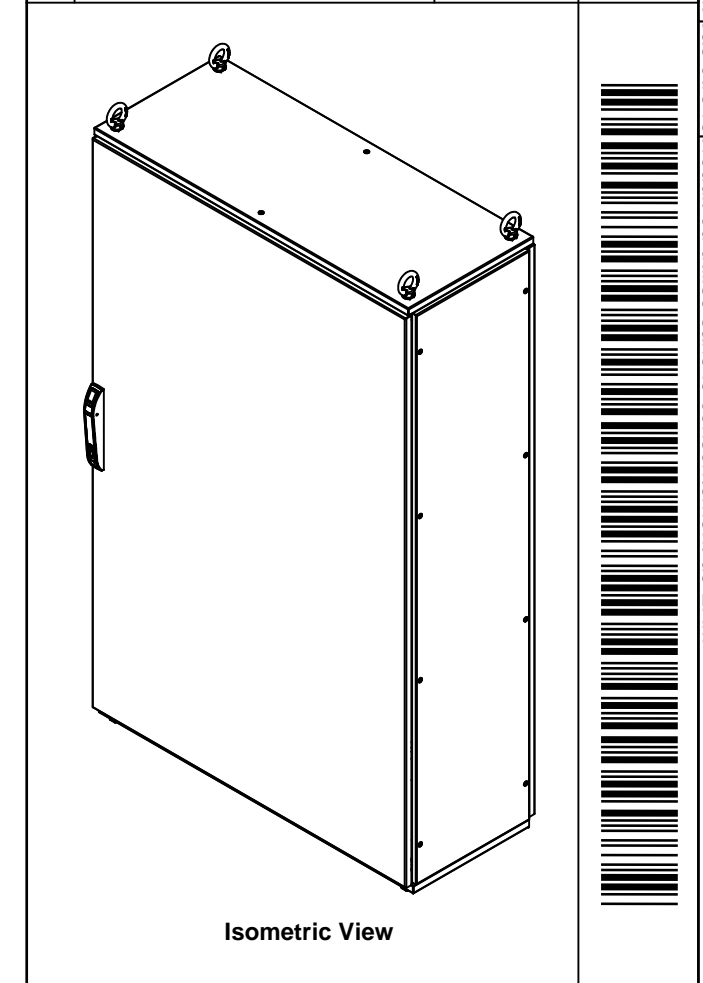
SEE BILL OF MATERIAL ON LAST PAGE


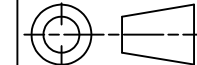
**6500MXK161004**

This drawing is confidential and must not be reproduced or used without the consent of EXM

Ce dessin est confidentiel et ne doit pas être reproduit ou utilisé sans le consentement de EXM

| No. | Revisions | Date | By/Par |
|-----|-----------|------|--------|
|     |           |      |        |
|     |           |      |        |
|     |           |      |        |
|     |           |      |        |
|     |           |      |        |

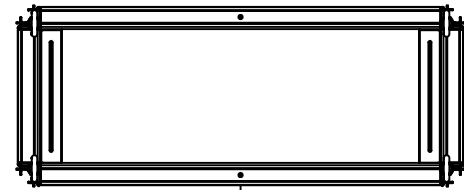


|  |                      |   |
|--|----------------------|---|
|  Tél: (450) 979-4373<br>Fax: (450) 979-4626<br><a href="http://www.exmweb.com">www.exmweb.com</a> |                      | Flatness<br>Aplatissement<br>Max 3.0mm<br>Projection<br> |
| Customer<br>Client   | Date                 |   |
| Drawn By<br>Dessiné Par  | BoxCad: Annie        | Date 05/02/2015   |
| Material<br>Matière  | See Part List        |   |
| Color<br>Couleur   | See Part List        | Finish<br>Fini See Part List  |
| Description<br>6500MX 1600mm x 1000mm x 400mm<br>Assembly  |                      | Detail Rev.   |
| Part Number<br>Numéro Pièce  | <b>6500MXK161004</b> | Rev. 2<br><b>0</b>  |

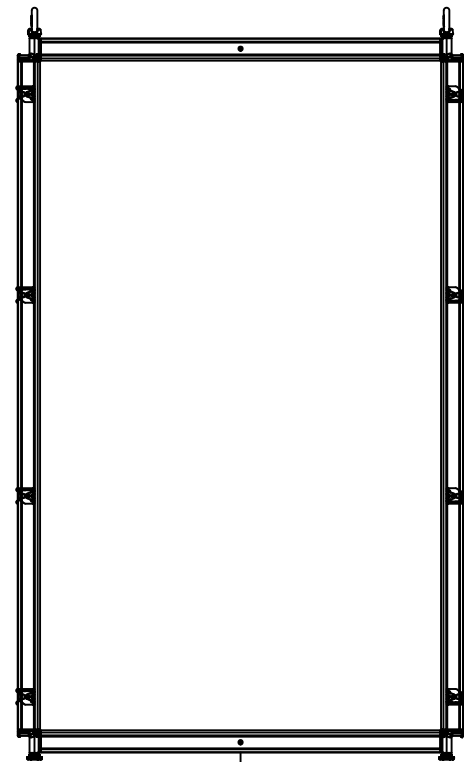
| Qty        | Part Number      | Rev | Description                               |
|------------|------------------|-----|---|
| 1          | 6500MXK161004BIP | 0   | 6500 MXM 1600mm x 1000mm Back Inner Panel |
| 1          | 6500MXK161004R   | 0   | 6500 MXC 1600mm x 400mm Right             |
| 1          | 6500MXK161004L   | 0   | 6500 MXC 1600mm x 400mm Left              |
| 1          | 6500MXK161004F   | 0   | 6500 MXD 1600mm x 1000mm Front            |
| 1          | 6500MXK161004B   | 0   | 6500 MXR 1600mm x 1000mm Back             |
| 1          | 6500MXK161004BT  | 0   | 6500 MXB 1000mm x 400mm Bottom            |
| 1          | 6500MXK161004T   | 0   | 6500 MXT 1000mm x 400mm Top               |
| 1          | 6500MXK161004FR  | 0   | 6500 MX 1600mm x 1000mm x 400mm Frame     |
| Parts List |                  |     |   |

This drawing is confidential and must not be reproduced or used without the consent of EXM

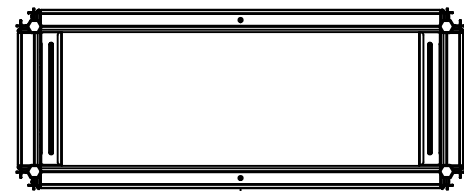
Ce dessin est confidentiel et ne doit pas être reproduit ou utilisé sans le consentement de EXM



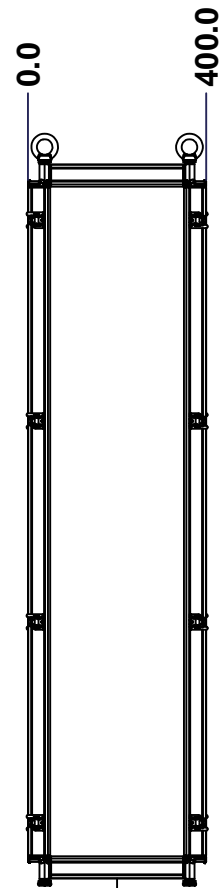
TOP



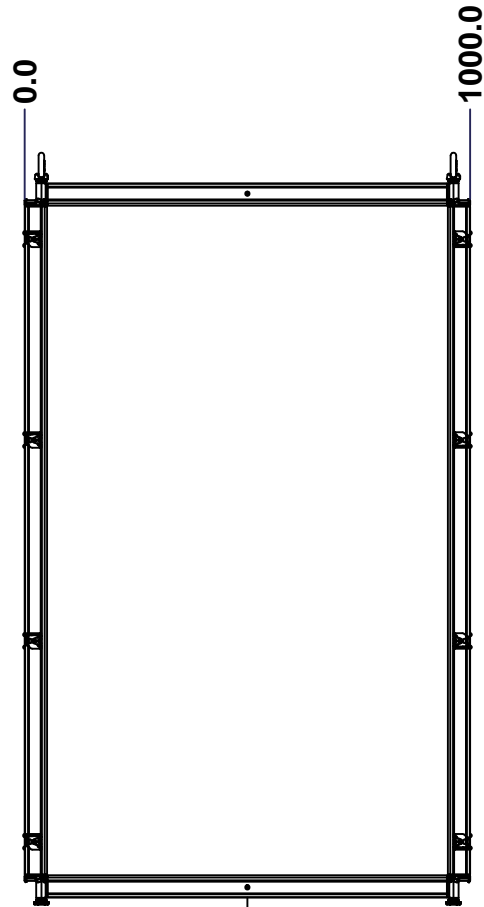
BACK



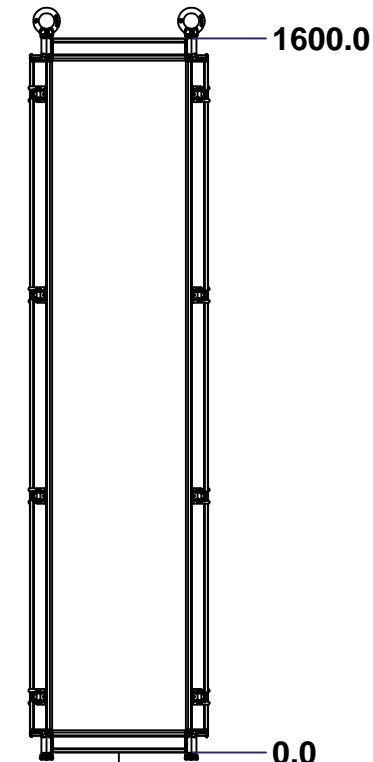
BOTTOM



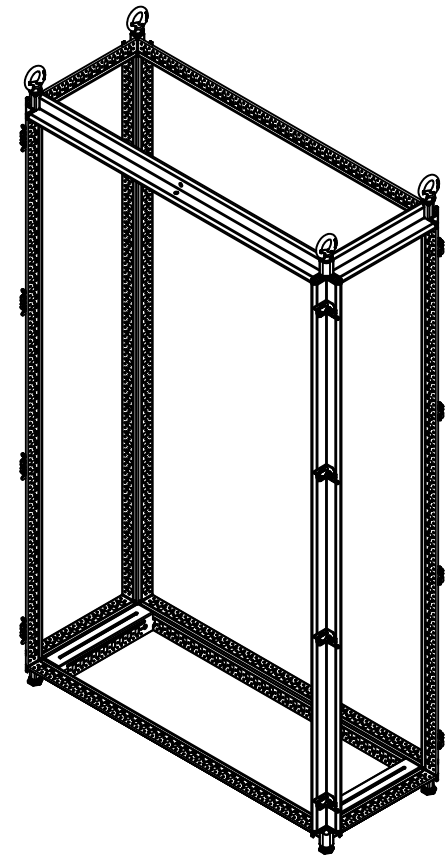
LEFT



FRONT




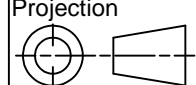
RIGHT



Isometric View



| No. | Revisions | Date | By/Par |
|-----|-----------|------|--------|
|     |           |      |        |
|     |           |      |        |
|     |           |      |        |
|     |           |      |        |

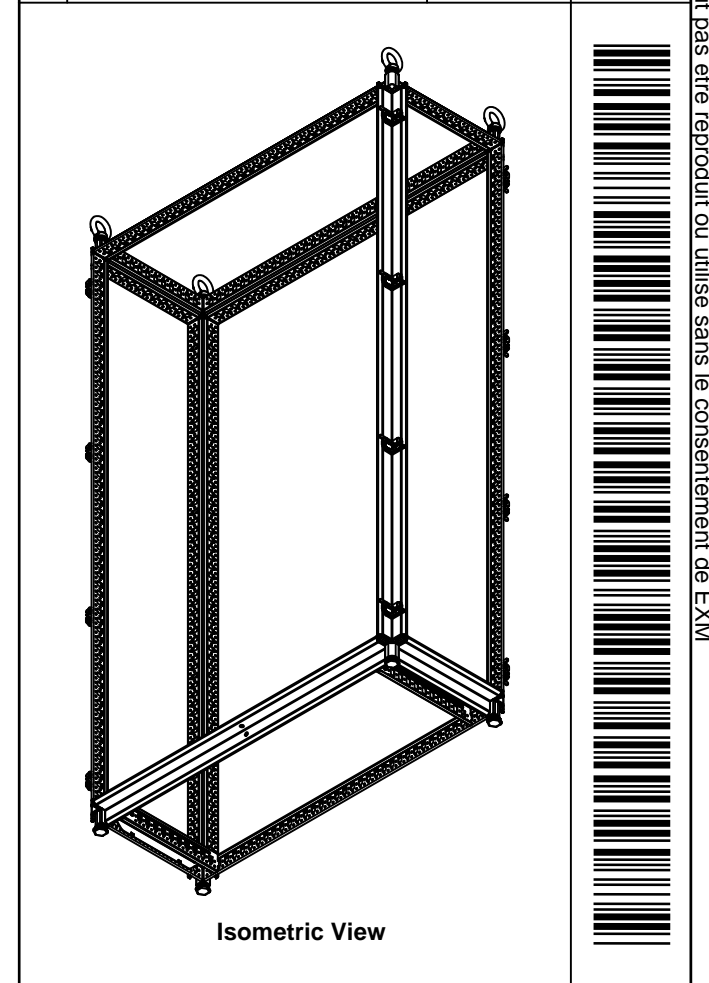
|  |                                  |   |
|--|----------------------------------|---|
|  Tél: (450) 979-4373<br>Fax: (450) 979-4626<br><a href="http://www.exmweb.com">www.exmweb.com</a> |                                  | Flatness<br>Aplatissement<br>Max 3.0mm<br>Projection<br> |
| Customer<br>Client   | Date                             |   |
| Drawn By<br>Dessiné Par  | BoxCad: Annie                    | Date 05/02/2015   |
| Material<br>Matière  | 16 Ga Electro-Galvanized (1.4mm) |   |
| Color<br>Couleur   | Iron Grey RAL7011                | Finish<br>Fin<br>Rough<br>Textured  |
| Description  | Detail Rev.                      |   |
| 6500 MX 1600mm x 1000mm x 400mm<br>Frame   |                                  |   |
| Part Number<br>Numéro Pièce  | Rev.                             |   |
| <b>6500MXK161004FR</b>   | <b>0</b>                         | 1<br>2  |

SEE BILL OF MATERIAL ON LAST PAGE


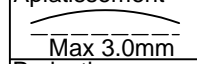
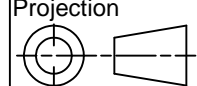
This drawing is confidential and must not be reproduced or used without the consent of EXM

Ce dessin est confidentiel et ne doit pas être reproduit ou utilisé sans le consentement de EXM

| No. | Revisions | Date | By/Par |
|-----|-----------|------|--------|
|     |           |      |        |
|     |           |      |        |
|     |           |      |        |
|     |           |      |        |
|     |           |      |        |

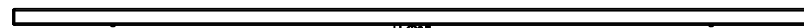


|            |                |     |   |
|------------|----------------|-----|---|
| 1          | STK-P-03810R   | 0   | Powder Paint (Iron Grey / Rough Textured) |
| 1          | STK-Q-49050    | 3   | 6500 MXM Inner Panel Slider 400mm         |
| 1          | STK-Q-49050-L  | 3   | 6500 MXM Inner Panel Slider 400mm         |
| 4          | STK-Q-49500    | 3   | M12 Eye Bolt (0.34T)                      |
| 4          | STK-Q-61110    | 0   | M12 Feet Leveler                          |
| 8          | STK-Q-00610    | 1   | M18 x 30.5mm Bolt - Cover                 |
| 4          | STK-Q-47251-16 | 3   | 6500 MX 1600mm Vertical Frame Post Part   |
| 4          | STK-Q-47250-10 | 3   | 6500 MX 1000mm Horizontal Frame Post Part |
| 4          | STK-Q-47250-04 | 3   | 6500 MX 400mm Horizontal Frame Post Part  |
| 8          | STK-Q-49445    | 2   | 6500 MX - Frame Corner Bracket Casting    |
| 16         | STK-K-11001    | 2   | 3 Way Fixed Bracket Kit                   |
| Qty        | Part Number    | Rev | Description                               |
| Parts List |                |     |   |

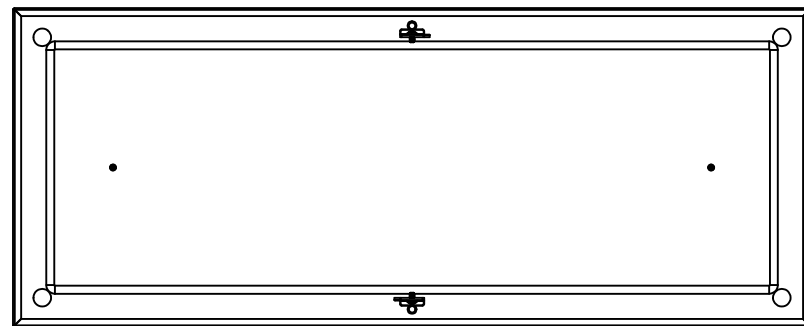
|  |                                  |   |
|--|----------------------------------|---|
|  Tél: (450) 979-4373<br>Fax: (450) 979-4626<br><a href="http://www.exmweb.com">www.exmweb.com</a> |                                  | Flatness<br>Aplatissement<br> Max 3.0mm<br>Projection<br> |
| Customer<br>Client   | Date                             | Date 05/02/2015   |
| Drawn By<br>Dessiné Par  | BoxCad: Annie                    |   |
| Material<br>Matière  | 16 Ga Electro-Galvanized (1.4mm) |   |
| Color<br>Couleur   | Iron Grey RAL7011                | Finish<br>Fini Rough Textured   |
| Description  | Detail Rev.                      |   |
| 6500 MX 1600mm x 1000mm x 400mm Frame  |                                  |   |
| Part Number<br>Numéro Pièce  | Rev.                             | 2   |
| <b>6500MXK161004FR</b>   | <b>0</b>                         | <b>2</b>  |

This drawing is confidential and must not be reproduced or used without the consent of EXM

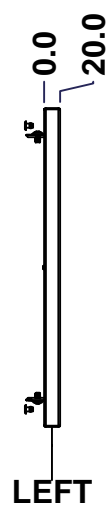
Ce dessin est confidentiel et ne doit pas être reproduit ou utilisé sans le consentement de EXM



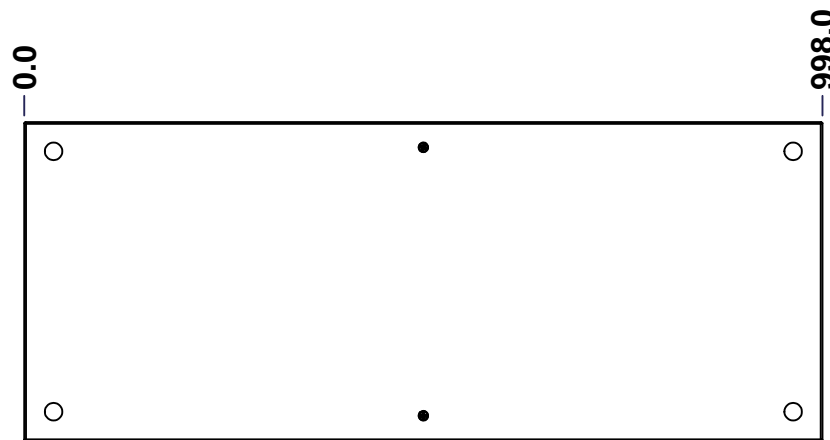
TOP



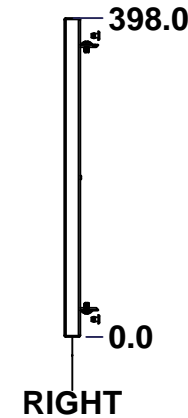
BACK



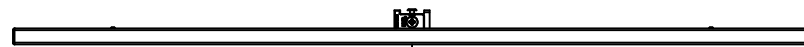
LEFT



FRONT

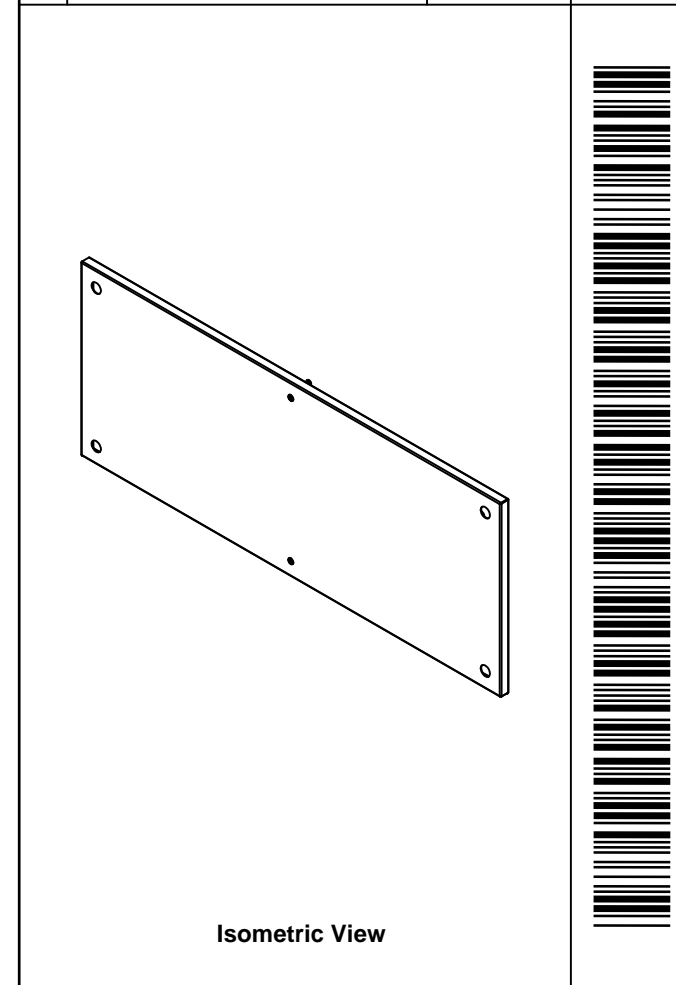


RIGHT


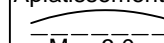
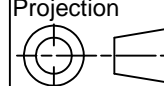


BOTTOM

| No. | Revisions | Date | By/Par |
|-----|-----------|------|--------|
|     |           |      |        |
|     |           |      |        |
|     |           |      |        |
|     |           |      |        |



Isometric View

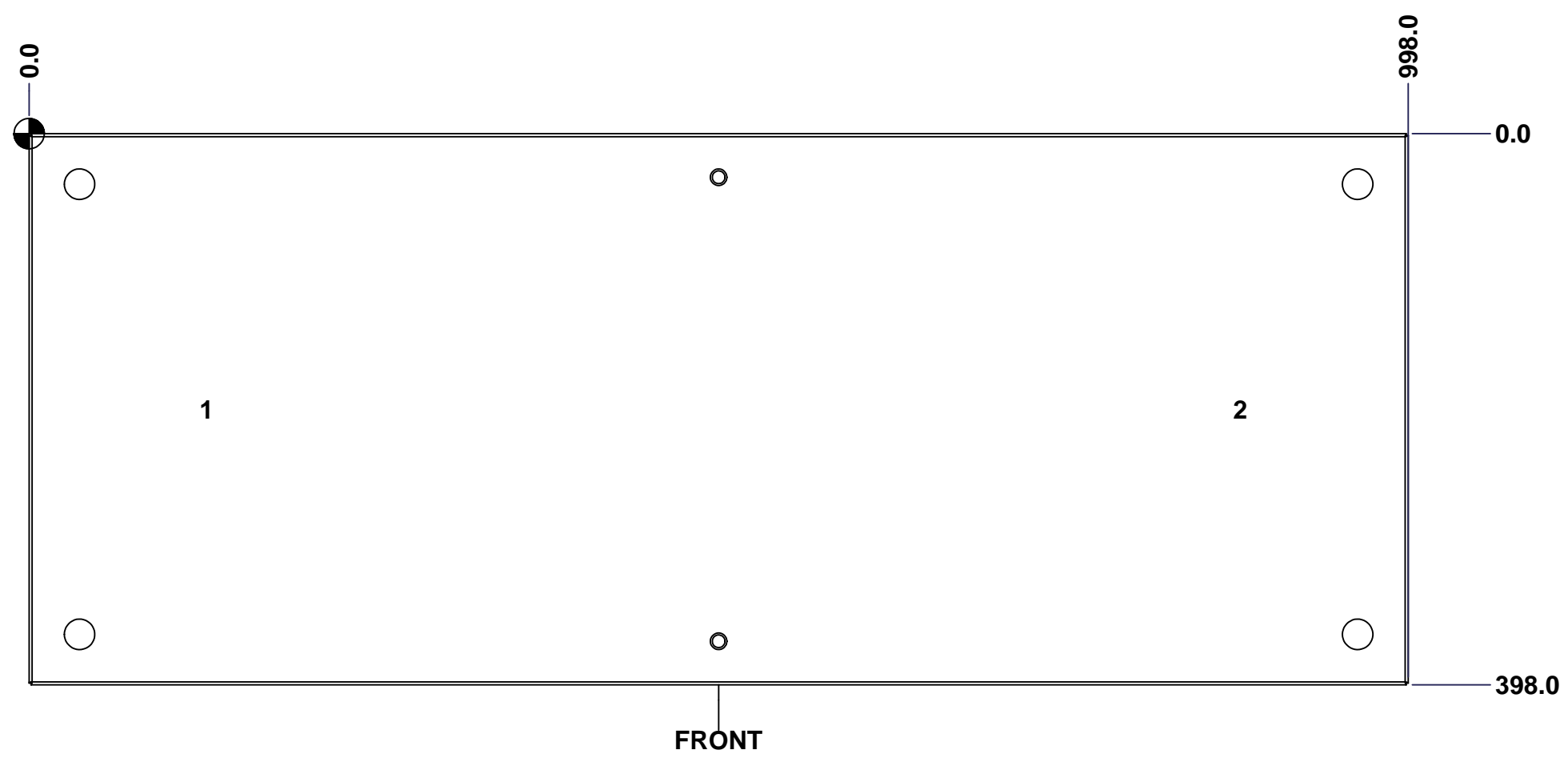
|  |                                 |   |
|--|---------------------------------|---|
|  Tél: (450) 979-4373<br>Fax: (450) 979-4626<br><a href="http://www.exmweb.com">www.exmweb.com</a> |                                 | Flatness<br>Aplatissement<br><br>Max 3.0mm |
| Customer Client<br>Drawn By / Dessiné Par: BoxCad: Annie   |                                 | Projection<br>                             |
| Material / Matière: 16 Ga H.R.P. & O. (1.4mm)  |                                 | Date: 05/02/2015  |
| Color / Couleur: Iron Grey RAL7011   | Finish / Fini: Rough / Textured | Description: 6500 MXT 1000mm x 400mm Top  |
| Part Number / Numéro Pièce: <b>6500MXK161004T</b>  |                                 | Detail Rev.: 1 / 3  |

SEE BILL OF MATERIAL ON LAST PAGE

This drawing is confidential and must not be reproduced or used without the consent of EXM

Ce dessin est confidentiel et ne doit pas être reproduit ou utilisé sans le consentement de EXM

| STANDARD FEATURES ARE NOT LISTED IN THIS HOLE TABLE |       |       |                             |
|---|-------|-------|-----------------------------|
| HOLE TABLE - FRONT VIEW (CUSTOM FEATURE ONLY)       |       |       |                             |
| CUT-OUT   | XDIM  | YDIM  | DESCRIPTION                 |
| 1   | 125.0 | 199.0 | GND STUD M6 x 16mm (Inside) |
| 2   | 873.0 | 199.0 | GND STUD M6 x 16mm (Inside) |

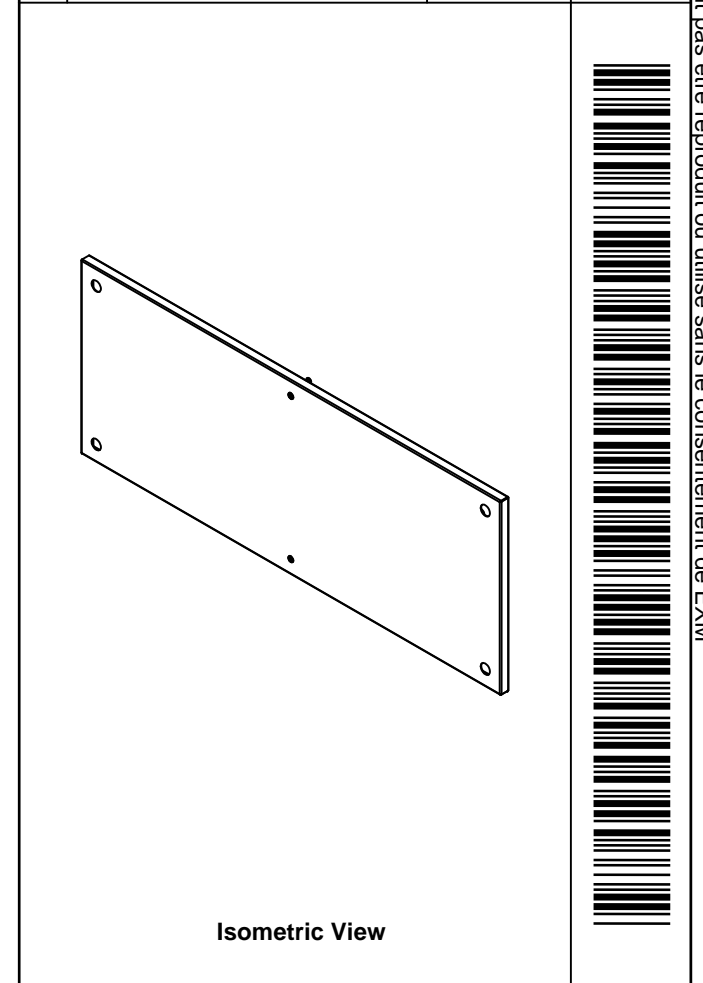



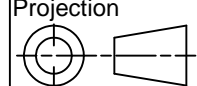
|  |                             |          |        |
|--|-----------------------------|----------|--------|
|  | Description                 | Status   |        |
|  | 6500 MXT 1000mm x 400mm Top | (NULL)   |        |
|  | Part Number<br>Numéro Pièce | Rev.     |        |
|  | <b>6500MXK161004T</b>       | <b>0</b> | 2<br>3 |

This drawing is confidential and must not be reproduced or used without the consent of EXM

Ce dessin est confidentiel et ne doit pas être reproduit ou utilisé sans le consentement de EXM

| No. | Revisions | Date | By/Par |
|-----|-----------|------|--------|
|     |           |      |        |
|     |           |      |        |
|     |           |      |        |
|     |           |      |        |
|     |           |      |        |

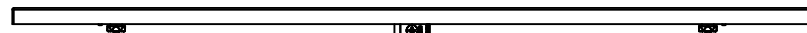


|  |                           |   |
|--|---------------------------|---|
|  Tél: (450) 979-4373<br>Fax: (450) 979-4626<br><a href="http://www.exmweb.com">www.exmweb.com</a> |                           | Flatness<br>Aplatissement<br>Max 3.0mm<br>Projection<br> |
| Customer<br>Client   | Date                      |   |
| Drawn By<br>Dessiné Par  | BoxCad: Annie             | Date 05/02/2015   |
| Material<br>Matière  | 16 Ga H.R.P. & O. (1.4mm) |   |
| Color<br>Couleur   | Iron Grey RAL7011         | Finish<br>Fini<br>Rough<br>Textured   |
| Description  |                           | Detail Rev.   |
| 6500 MXT 1000mm x 400mm Top  |                           |   |
| Part Number<br>Numéro Pièce  | Rev.                      | 3   |
| <b>6500MXK161004T</b>  | <b>0</b>                  | <b>3</b>  |

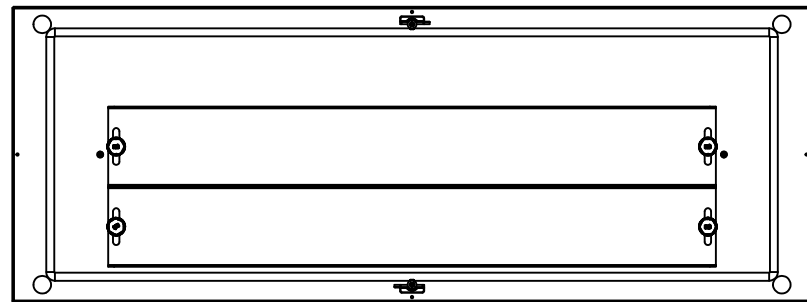
| Qty        | Part Number      | Rev | Description                               |
|------------|------------------|-----|---|
| 1          | STK-P-03810R     | 0   | Powder Paint (Iron Grey / Rough Textured) |
| 2          | STK-Q-16055      | 1   | M6 x 18mm Stud (No Paint Cap Required)    |
| 2          | STK-Q-77120      | 1   | 6500MX-Frame Rubber Plug                  |
| 2          | STK-Q-03072      | 2   | M6 x 17mm Phillips Flat Head Screw        |
| 1          | 6500MXK161004TG  | 0   | 6500 MXT 1000mm x 400mm Top Gasket        |
| 1          | 6500MXK161004T-P | 0   | 6500 MXT 1000mm x 400mm Top Part          |
| 2          | STK-K-11010      | 3   | Partial Fixed Bracket Kit                 |
| Parts List |                  |     |   |

This drawing is confidential and must not be reproduced or used without the consent of EXM

Ce dessin est confidentiel et ne doit pas être reproduit ou utilisé sans le consentement de EXM



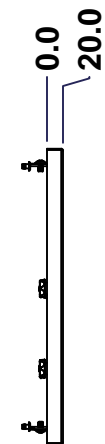
TOP



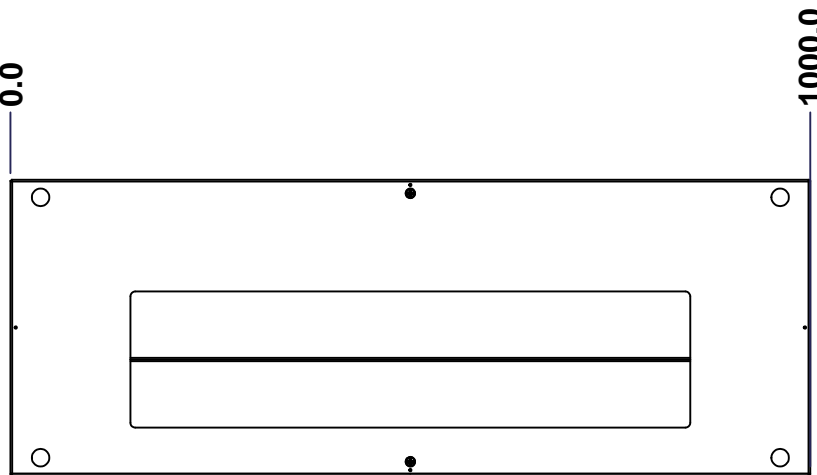
BACK



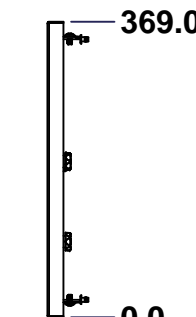
BOTTOM



LEFT

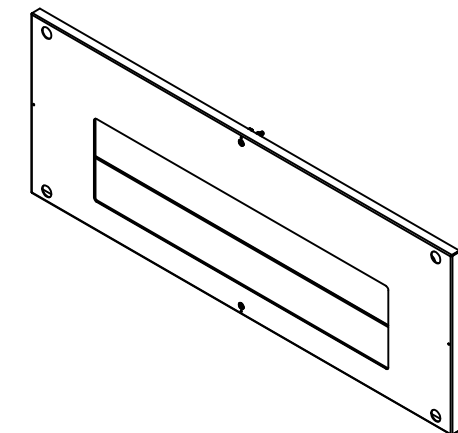


FRONT



RIGHT

| No. | Revisions | Date | By/Par |
|-----|-----------|------|--------|
|     |           |      |        |
|     |           |      |        |
|     |           |      |        |
|     |           |      |        |



Isometric View



Tél: (450) 979-4373  
 Fax: (450) 979-4626  
[www.exmweb.com](http://www.exmweb.com)

Flatness  
Aplatissement  
Max 3.0mm  
Projection

Customer Client  
 Drawn By / Dessiné Par: BoxCad: Annie  
 Date: 05/02/2015

Material / Matière: 16 Ga H.R.P. & O. (1.4mm)

Color / Couleur: Iron Grey RAL7011  
 Finish / Fini: Rough / Textured

Description: 6500 MXB 1000mm x 400mm Bottom  
 Detail Rev.

Part Number / Numéro Pièce: **6500MXK161004BT**  
 Rev. 0

SEE BILL OF MATERIAL ON LAST PAGE

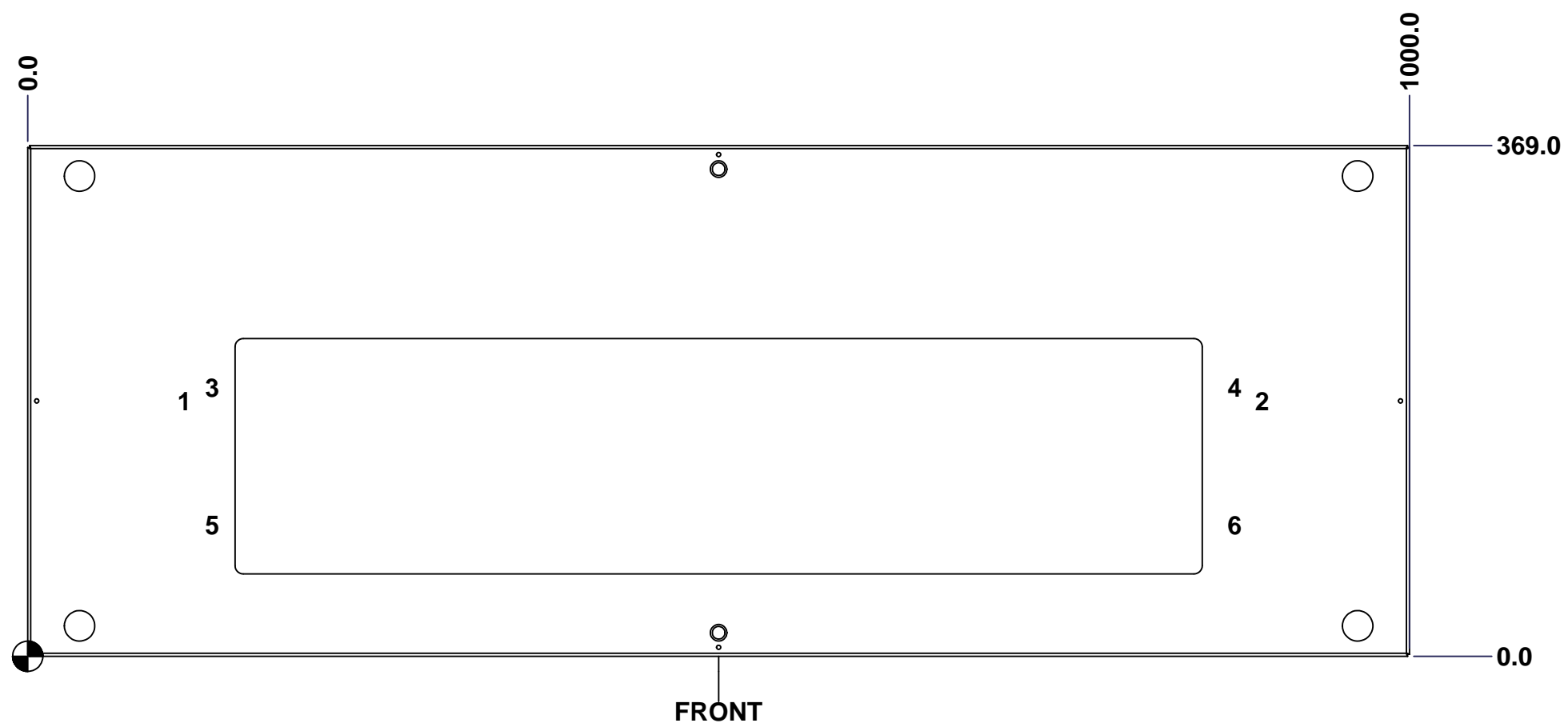
Rev. 1  
3



This drawing is confidential and must not be reproduced or used without the consent of EXM

Ce dessin est confidentiel et ne doit pas être reproduit ou utilisé sans le consentement de EXM

| STANDARD FEATURES ARE NOT LISTED IN THIS HOLE TABLE |       |       |                             |
|---|-------|-------|-----------------------------|
| HOLE TABLE - FRONT VIEW (CUSTOM FEATURE ONLY)       |       |       |                             |
| CUT-OUT   | XDIM  | YDIM  | DESCRIPTION                 |
| 1   | 110.0 | 184.5 | GND STUD M6 x 16mm (Inside) |
| 2   | 890.0 | 184.5 | GND STUD M6 x 16mm (Inside) |
| 3   | 130.0 | 194.5 | GP STUD M6 x 10mm (Inside)  |
| 4   | 870.0 | 194.5 | GP STUD M6 x 10mm (Inside)  |
| 5   | 130.0 | 94.5  | GP STUD M6 x 10mm (Inside)  |
| 6   | 870.0 | 94.5  | GP STUD M6 x 10mm (Inside)  |

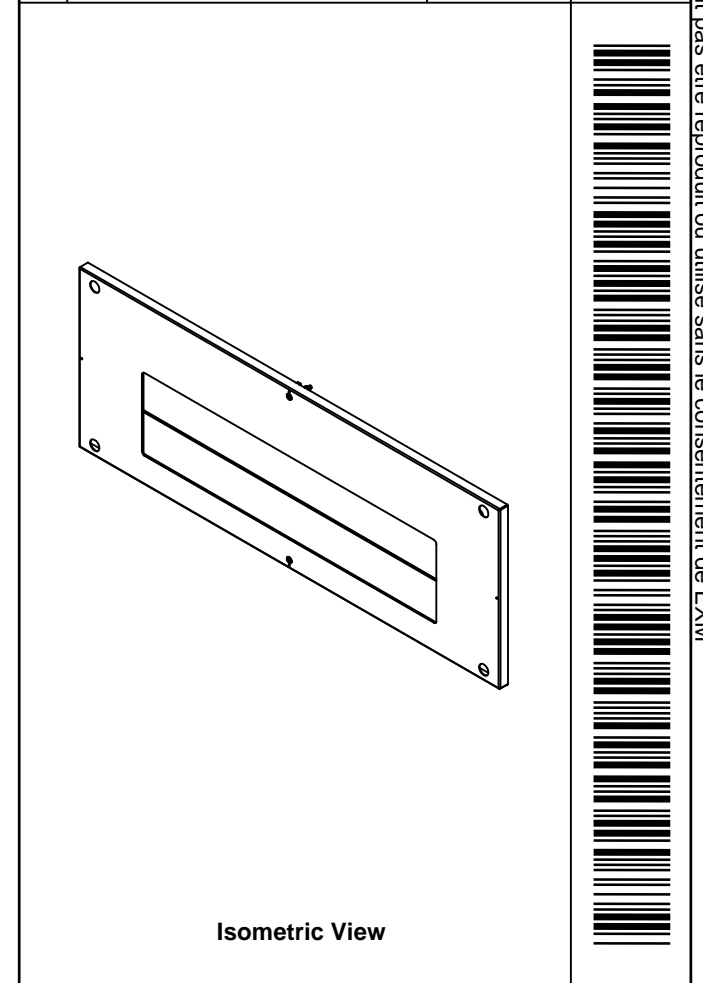


|  |                                |          |
|--|--------------------------------|----------|
|  | Description                    | Status   |
|  | 6500 MXB 1000mm x 400mm Bottom | (NULL)   |
|  | Part Number<br>Numéro Pièce    | Rev.     |
|  | <b>6500MXK161004BT</b>         | <b>0</b> |
|  |                                | 2        |
|  |                                | 3        |

This drawing is confidential and must not be reproduced or used without the consent of EXM

Ce dessin est confidentiel et ne doit pas être reproduit ou utilisé sans le consentement de EXM

| No. | Revisions | Date | By/Par |
|-----|-----------|------|--------|
|     |           |      |        |
|     |           |      |        |
|     |           |      |        |
|     |           |      |        |
|     |           |      |        |



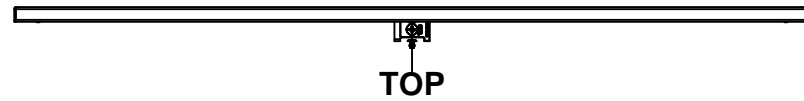
| Qty | Part Number          | Rev | Description                                       |
|-----|----------------------|-----|---|
| 1   | STK-P-03810R         | 0   | Powder Paint (Iron Grey / Rough Textured)         |
| 4   | STK-Q-06001          | 0   | Mtrx - Gland Plate M6 Plastic Thumb Nut           |
| 2   | STK-Q-16055          | 1   | M6 x 18mm Stud (No Paint Cap Required)            |
| 2   | STK-Q-77120          | 1   | 6500MX-Frame Rubber Plug                          |
| 2   | STK-Q-03072          | 2   | M6 x 17mm Phillips Flat Head Screw                |
| 2   | 6500MXK161004GP100-P | 0   | 6500 MXB 1000mm Gland Plate Part (100mm)          |
| 4   | STK-Q-16031          | 0   | M6 x 10mm Stud (No Paint Cap Required)            |
| 1   | 6500MXK161004BTGPG   | 0   | 6500 MXB 1000mm x 400mm Bottom Gland Plate Gasket |
| 1   | 6500MXK161004BTG     | 0   | 6500 MXB 1000mm x 400mm Bottom Gasket             |
| 1   | 6500MXK161004BT-P    | 0   | 6500 MXB 1000mm x 400mm Bottom Part               |
| 2   | STK-K-11010          | 3   | Partial Fixed Bracket Kit                         |
|     |                      |     |   |
|     |                      |     |   |

Parts List

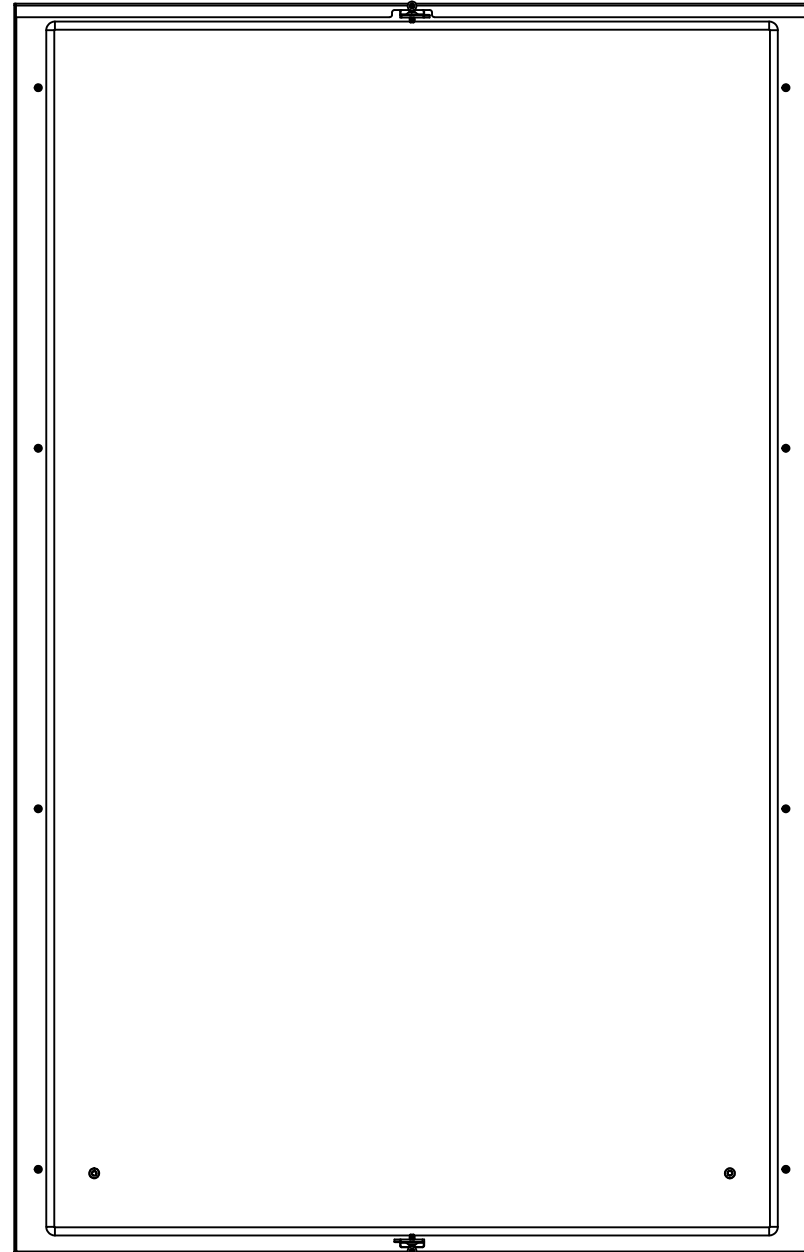
|  |  |   |  |
|--|--|---|--|
| Tél: (450) 979-4373<br>Fax: (450) 979-4626<br><a href="http://www.exmweb.com">www.exmweb.com</a> |  | Flatness<br>Aplatissement<br>Max 3.0mm      |  |
|  |  | Projection<br>                              |  |
| Customer Client  |  | Date  |  |
| Drawn By / Dessiné Par: BoxCad: Annie  |  | Date: 05/02/2015                            |  |
| Material / Matière: 16 Ga H.R.P. & O. (1.4mm)  |  | Color / Couleur: Iron Grey RAL7011          |  |
| Finish / Fini: Rough Textured  |  | Description: 6500 MXB 1000mm x 400mm Bottom |  |
| Part Number / Numéro Pièce: <b>6500MXK161004BT</b>   |  | Detail Rev. / Rev. 3                        |  |

This drawing is confidential and must not be reproduced or used without the consent of EXM

Ce dessin est confidentiel et ne doit pas être reproduit ou utilisé sans le consentement de EXM



TOP

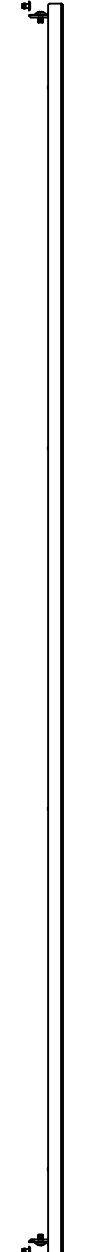


BACK



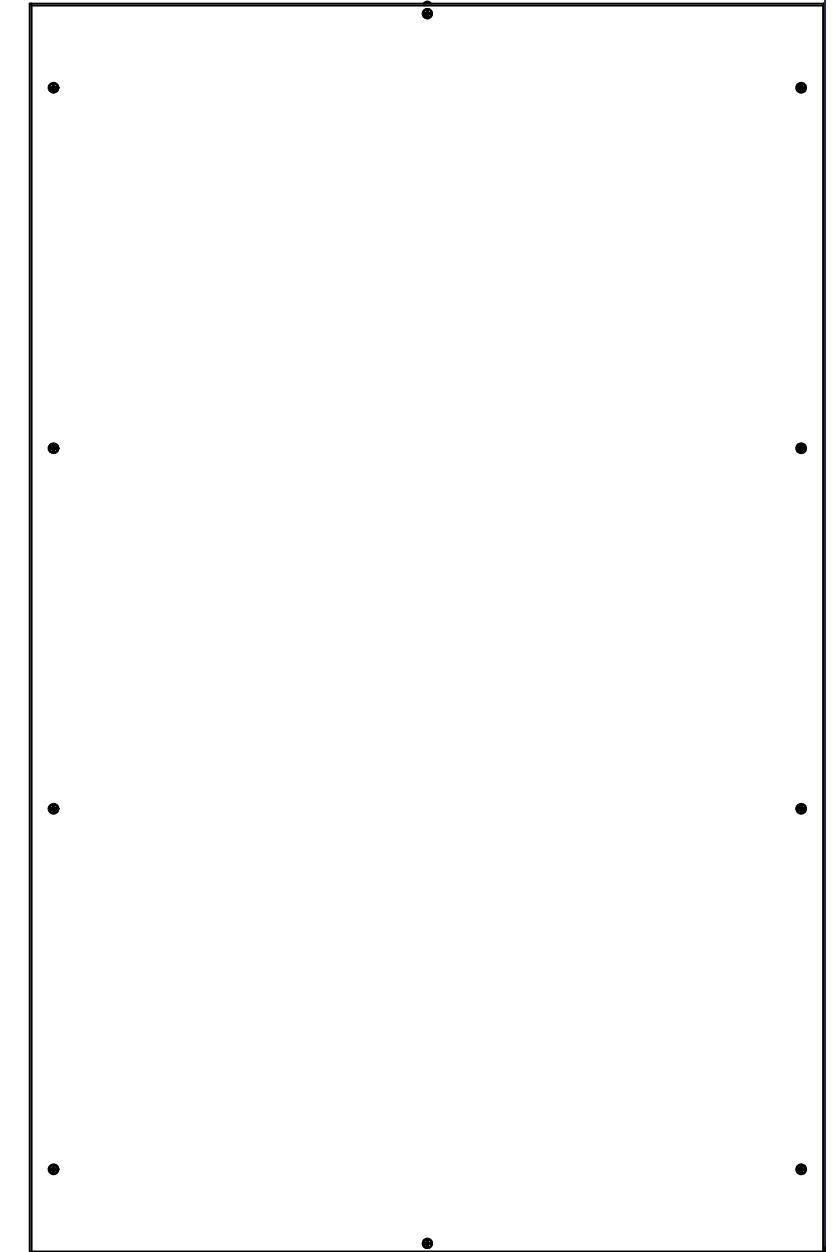
BOTTOM

0.0  
18.5



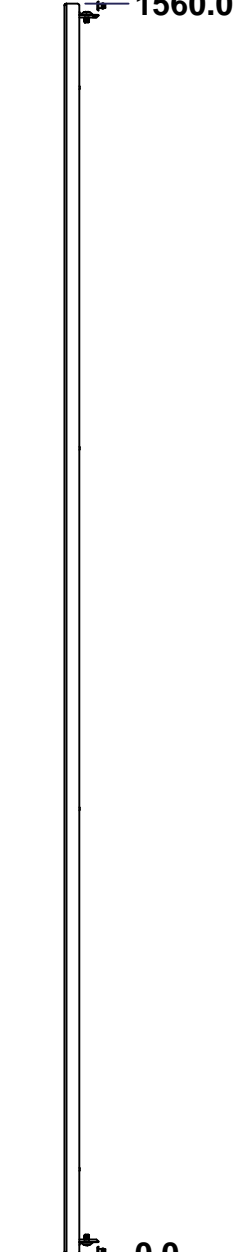
LEFT

0.0  
995.0



FRONT

1560.0



RIGHT

| No. | Revisions | Date | By/Par |
|-----|-----------|------|--------|
|     |           |      |        |
|     |           |      |        |
|     |           |      |        |
|     |           |      |        |

Isometric View

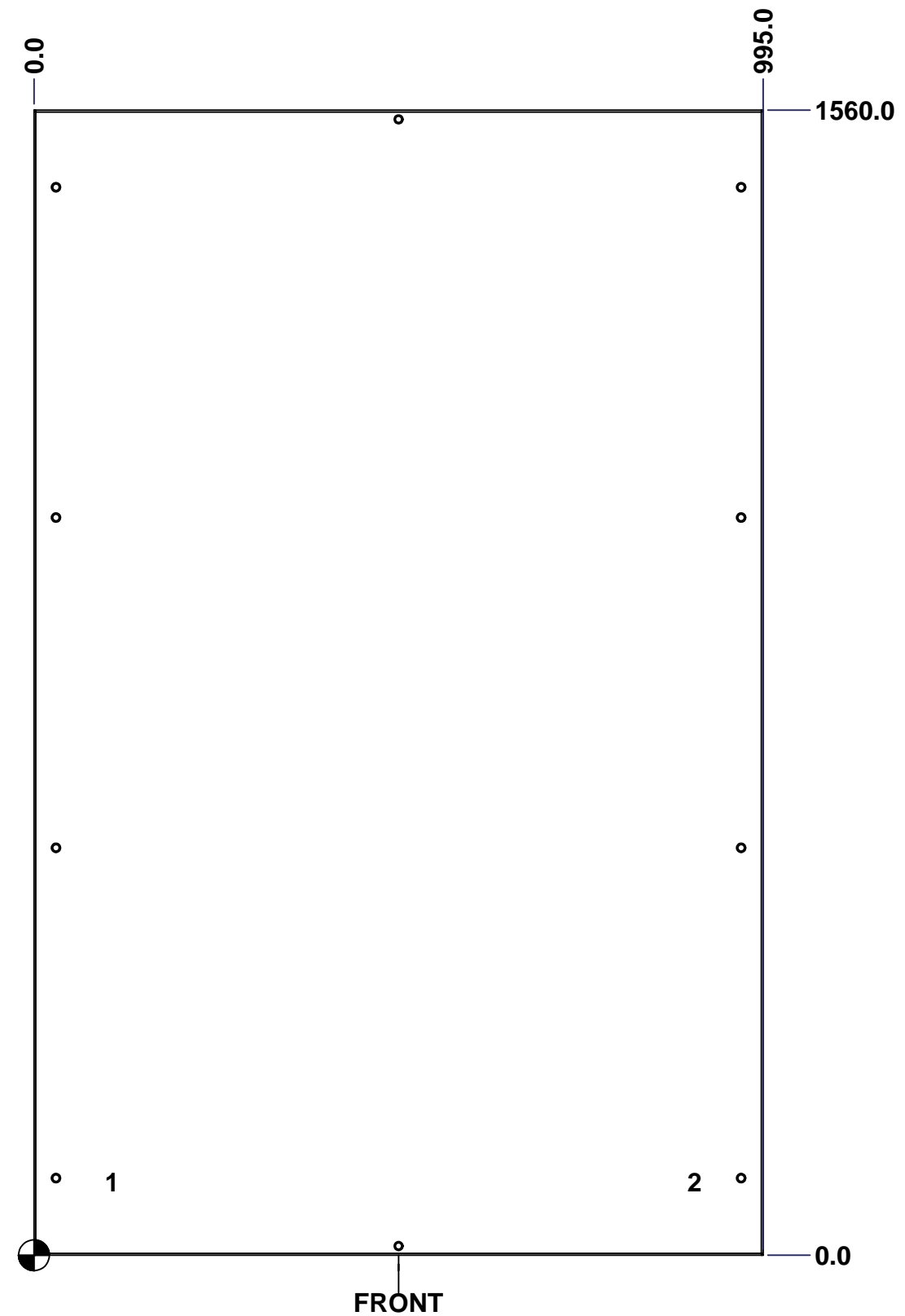
|  |                                 |  |        |
|--|---------------------------------|--|--------|
|  |                                 | Flatness<br>Aplatissement<br>Max 3.0mm |        |
| Tél: (450) 979-4373<br>Fax: (450) 979-4626<br><a href="http://www.exmweb.com">www.exmweb.com</a> |                                 | Projection<br>                         |        |
| Customer Client  |                                 | Date                                   |        |
| Drawn By / Dessiné Par: BoxCad: Annie  |                                 | Date: 05/02/2015                       |        |
| Material / Matière: 14 Ga H.R.P. & O. (1.7mm)  |                                 |  |        |
| Color / Couleur: Light Grey RAL7035  | Finish / Fini: Rough / Textured |  |        |
| Description: 6500 MXR 1600mm x 1000mm Back   |                                 | Detail Rev.                            |        |
| Part Number / Numéro Pièce: <b>6500MXK161004B</b>  |                                 | Rev.:                                  | 1<br>3 |

SEE BILL OF MATERIAL ON LAST PAGE

This drawing is confidential and must not be reproduced or used without the consent of EXM

Ce dessin est confidentiel et ne doit pas être reproduit ou utilisé sans le consentement de EXM

| STANDARD FEATURES ARE NOT LISTED IN THIS HOLE TABLE |       |       |                             |
|---|-------|-------|-----------------------------|
| HOLE TABLE - FRONT VIEW (CUSTOM FEATURE ONLY)       |       |       |                             |
| CUT-OUT   | XDIM  | YDIM  | DESCRIPTION                 |
| 1   | 100.0 | 100.0 | GND STUD M6 x 16mm (Inside) |
| 2   | 895.0 | 100.0 | GND STUD M6 x 16mm (Inside) |

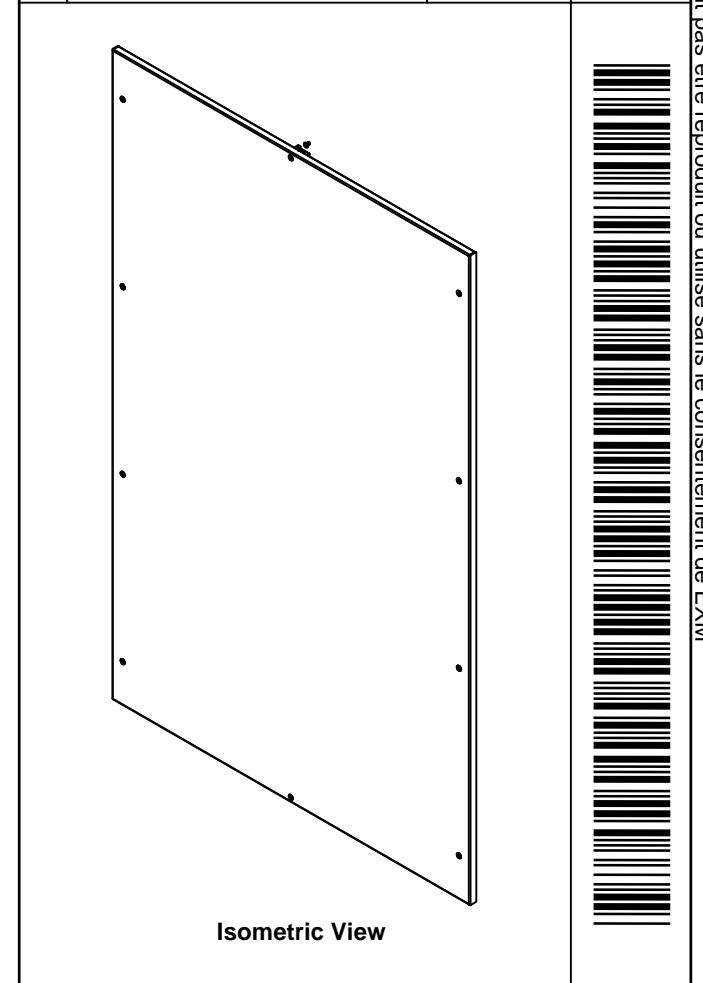



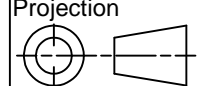
|  |                               |          |
|--|-------------------------------|----------|
|  | Description                   | Status   |
|  | 6500 MXR 1600mm x 1000mm Back | (NULL)   |
|  | Part Number<br>Numéro Pièce   | Rev.     |
|  | <b>6500MXK161004B</b>         | <b>0</b> |
|  |                               | 2        |
|  |                               | 3        |

This drawing is confidential and must not be reproduced or used without the consent of EXM

Ce dessin est confidentiel et ne doit pas être reproduit ou utilisé sans le consentement de EXM

| No. | Revisions | Date | By/Par |
|-----|-----------|------|--------|
|     |           |      |        |
|     |           |      |        |
|     |           |      |        |
|     |           |      |        |
|     |           |      |        |



|  |                               |   |
|--|-------------------------------|---|
|  Tél: (450) 979-4373<br>Fax: (450) 979-4626<br><a href="http://www.exmweb.com">www.exmweb.com</a> |                               | Flatness<br>Aplatissement<br>Max 3.0mm<br>Projection<br> |
| Customer Client  |                               | Date  |
| Drawn By / Dessiné Par: BoxCad: Annie  |                               | Date: 05/02/2015  |
| Material / Matière: 14 Ga H.R.P. & O. (1.7mm)  |                               |   |
| Color / Couleur: Light Grey RAL7035  | Finish / Fini: Rough Textured |   |
| Description: 6500 MXR 1600mm x 1000mm Back   |                               | Detail Rev.   |
| Part Number / Numéro Pièce: <b>6500MXK161004B</b>  |                               | Rev. 3  |

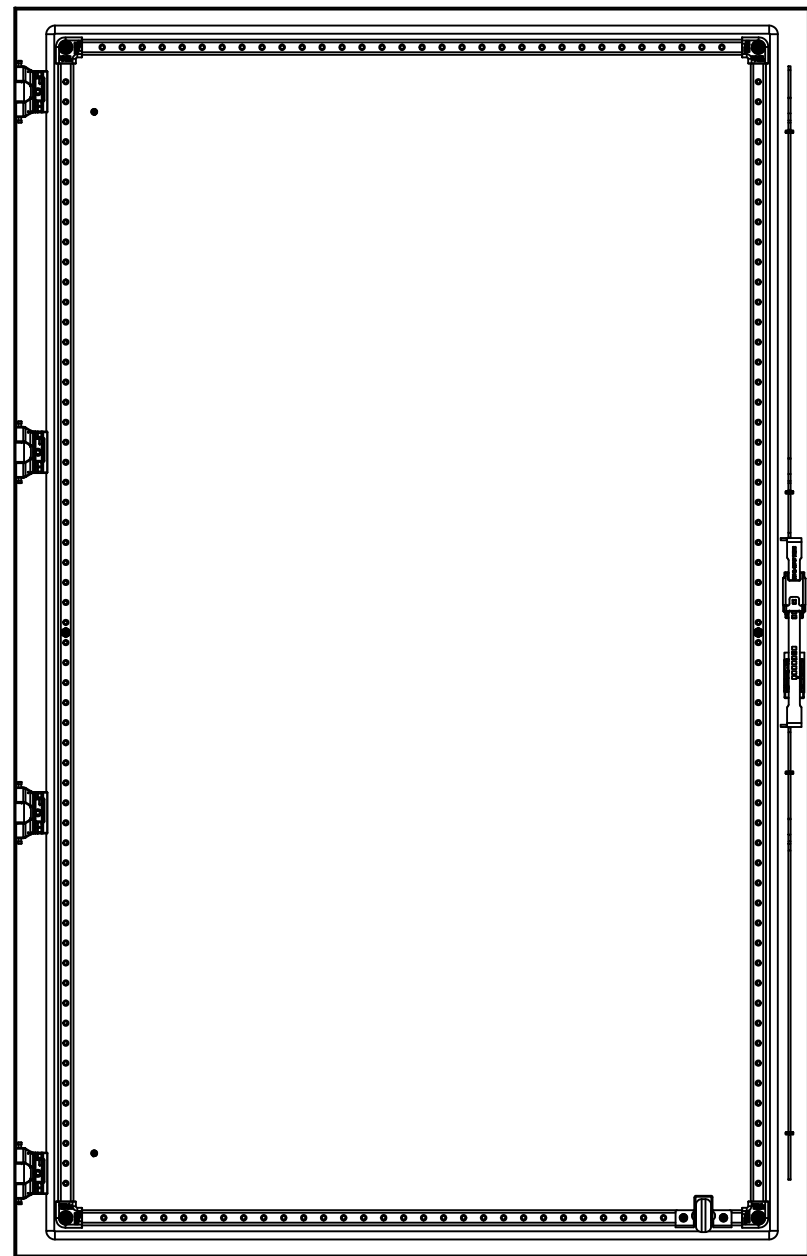
| Qty        | Part Number      | Rev   | Description                                |
|------------|------------------|-------|--|
| 1          | STK-P-03820R     | 0     | Powder Paint (Light Grey / Rough Textured) |
| 2          | STK-Q-77120      | 1     | 6500MX-Frame Rubber Plug                   |
| 10         | STK-Q-03072      | 2     | M6 x 17mm Phillips Flat Head Screw         |
| 2          | STK-Q-16080      | 0.1.1 | M6 x 16mm Ground Stud                      |
| 1          | 6500MXK161004BG  | 0     | 6500 MXR 1600mm x 1000mm Back Gasket       |
| 1          | 6500MXK161004B-P | 0     | 6500 MXR 1600mm x 1000mm Back Part         |
| 2          | STK-K-11010      | 3     | Partial Fixed Bracket Kit                  |
| Parts List |                  |       |  |

This drawing is confidential and must not be reproduced or used without the consent of EXM

Ce dessin est confidentiel et ne doit pas être reproduit ou utilisé sans le consentement de EXM



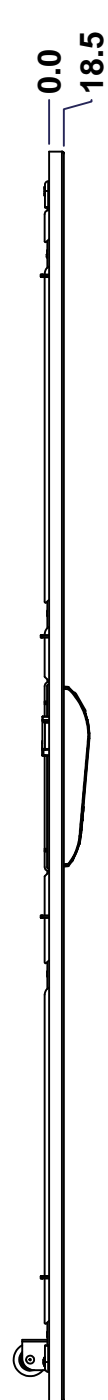
TOP



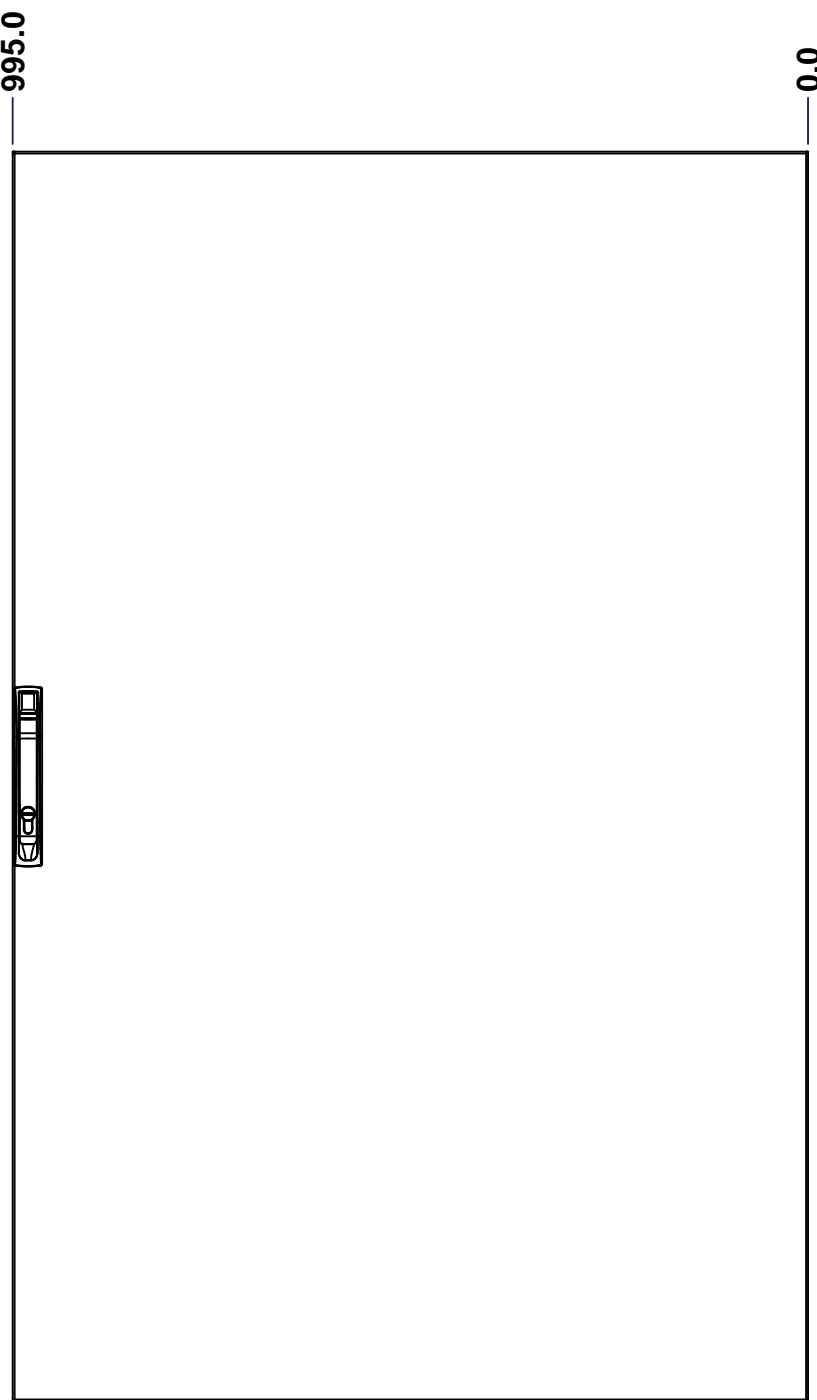
BACK



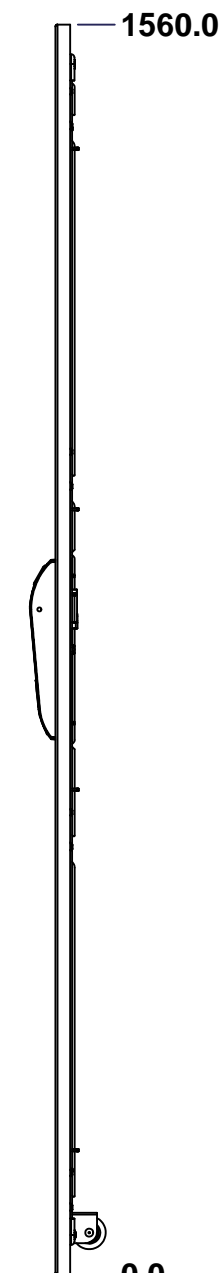
BOTTOM



LEFT

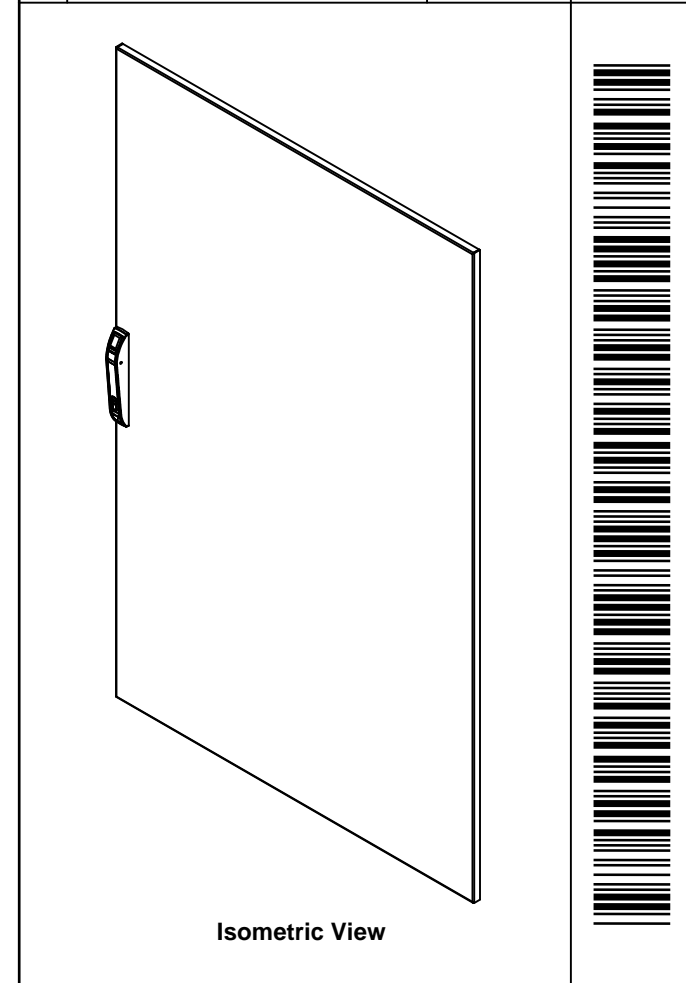



FRONT



RIGHT

| No. | Revisions | Date | By/Par |
|-----|-----------|------|--------|
|     |           |      |        |
|     |           |      |        |
|     |           |      |        |
|     |           |      |        |
|     |           |      |        |



|  |  |                               |             |
|--|--|-------------------------------|-------------|
|  Tél: (450) 979-4373<br>Fax: (450) 979-4626<br><a href="http://www.exmweb.com">www.exmweb.com</a> |  | Flatness<br>Aplatissement     |             |
|  |  | Max 3.0mm                     |             |
| Customer<br>Client   |  | Date                          |             |
| Drawn By<br>Dessiné Par BoxCad: Annie  |  | Date 05/02/2015               |             |
| Material<br>Matière 14 Ga H.R.P. & O. (1.7mm)  |  |                               |             |
| Color<br>Couleur Light Grey RAL7035  |  | Finish<br>Fini Rough Textured |             |
| Description<br>6500 MXD 1600mm x 1000mm Front  |  |                               | Detail Rev. |
| Part Number<br>Numéro Pièce <b>6500MXK161004F</b>  |  | Rev. <b>0</b>                 | 1<br>3      |

SEE BILL OF MATERIAL ON LAST PAGE

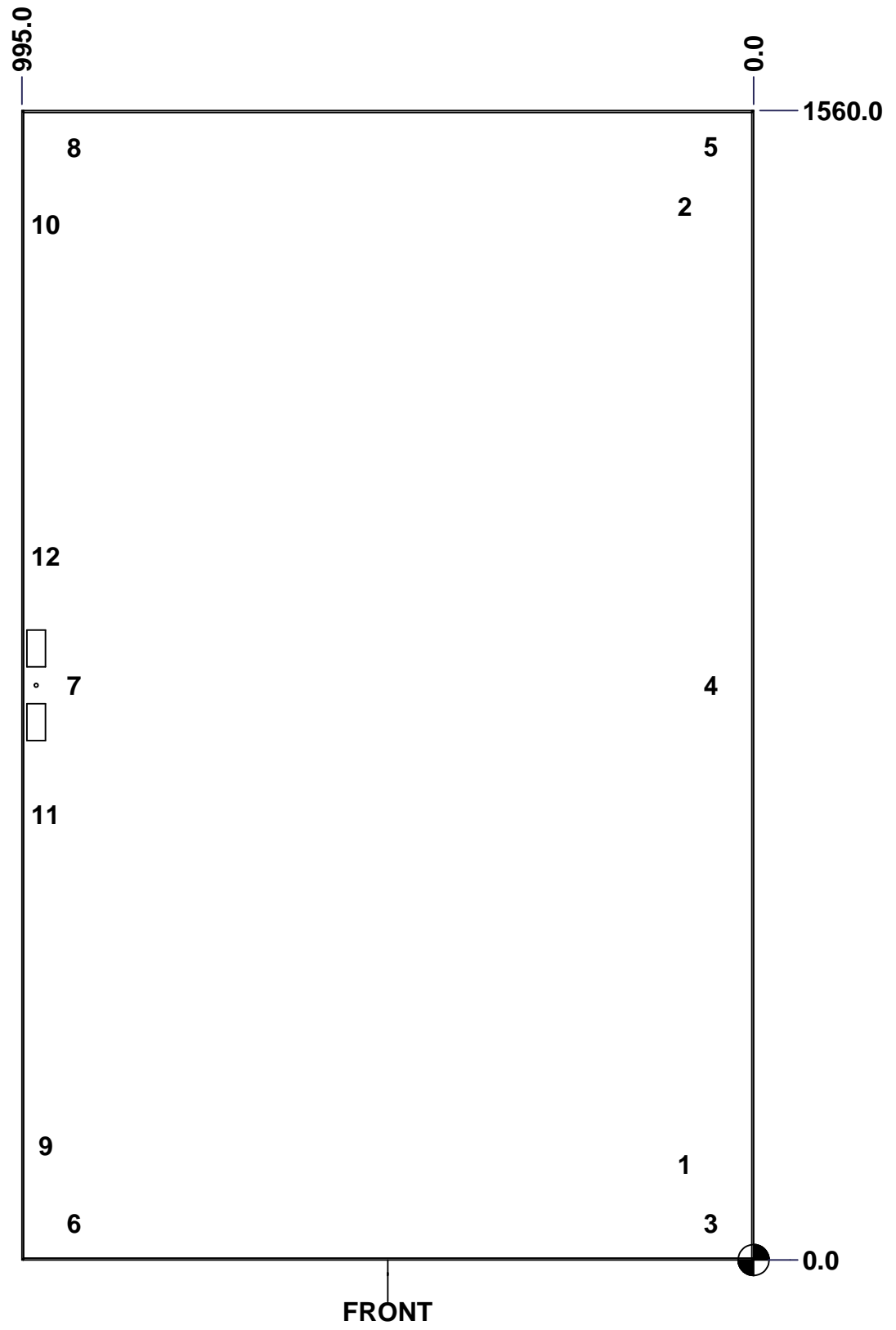
This drawing is confidential and must not be reproduced or used without the consent of EXM

Ce dessin est confidentiel et ne doit pas être reproduit ou utilisé sans le consentement de EXM

**STANDARD FEATURES ARE NOT LISTED IN THIS HOLE TABLE**

**HOLE TABLE - FRONT VIEW (CUSTOM FEATURE ONLY)**

| CUT-OUT | XDIM  | YDIM   | DESCRIPTION                    |
|---------|-------|--------|--------------------------------|
| 1       | 100.0 | 130.0  | GND STUD M6 x 16mm (Inside)    |
| 2       | 100.0 | 1430.0 | GND STUD M6 x 16mm (Inside)    |
| 3       | 64.5  | 49.5   | STIFF. STUD M6 x 18mm (Inside) |
| 4       | 64.5  | 780.0  | STIFF. STUD M6 x 18mm (Inside) |
| 5       | 64.5  | 1510.5 | STIFF. STUD M6 x 18mm (Inside) |
| 6       | 930.5 | 49.5   | STIFF. STUD M6 x 18mm (Inside) |
| 7       | 930.5 | 780.0  | STIFF. STUD M6 x 18mm (Inside) |
| 8       | 930.5 | 1510.5 | STIFF. STUD M6 x 18mm (Inside) |
| 9       | 969.5 | 155.0  | CLOSING BAR GUIDE (Inside)     |
| 10      | 969.5 | 1405.0 | CLOSING BAR GUIDE (Inside)     |
| 11      | 969.5 | 605.0  | CLOSING BAR GUIDE (Inside)     |
| 12      | 969.5 | 955.0  | CLOSING BAR GUIDE (Inside)     |

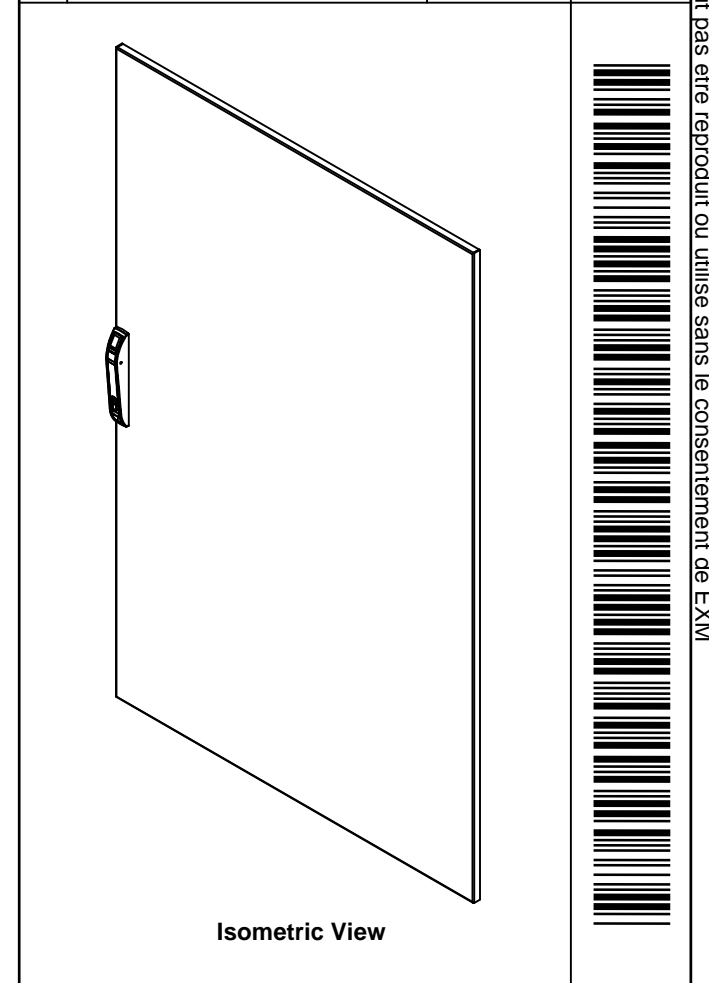


|  |                                |          |
|--|--------------------------------|----------|
|  | Description                    | Status   |
|  | 6500 MXD 1600mm x 1000mm Front | (NULL)   |
|  | Part Number<br>Numéro Pièce    | Rev.     |
|  | <b>6500MXK161004F</b>          | <b>0</b> |
|  |                                | 2        |
|  |                                | 3        |

This drawing is confidential and must not be reproduced or used without the consent of EXM

Ce dessin est confidentiel et ne doit pas être reproduit ou utilisé sans le consentement de EXM

| No. | Revisions | Date | By/Par |
|-----|-----------|------|--------|
|     |           |      |        |
|     |           |      |        |
|     |           |      |        |
|     |           |      |        |
|     |           |      |        |



| Qty        | Part Number      | Rev | Description                                |
|------------|------------------|-----|--|
| 1          | STK-P-03820R     | 0   | Powder Paint (Light Grey / Rough Textured) |
| 1          | 6500MXSRK        | 1   | 6500 MXRSK Door Support Roller             |
| 4          | STK-Q-78022      | 0   | Mtrx Closing Bar Slider                    |
| 1          | STK-Q-45746-16   | 1   | 6500 MXD - Lock Door Closing Bar           |
| 4          | STK-Q-33105      | 4   | 5412 ESBU Buttable Hinge (Cover Part)      |
| 1          | STK-Q-45729-16   | 2   | 6500 MXD - Lock Door Top Closing Bar       |
| 1          | 886PHD-S         | 4   | Euroform Pull Handle Kit                   |
| 8          | STK-Q-16055      | 1   | M6 x 18mm Stud (No Paint Cap Required)     |
| 1          | 6500MXK161004DS1 | 5   | 6500 MX 1600mm x 1000mm Door Stiffener     |
| 1          | 6500MXK161004FG  | 0   | 6500 MXD 1600mm x 1000mm Front Gasket      |
| 1          | 6500MXK161004F-P | 0   | 6500 MXD 1600mm x 1000mm Front Part        |
| 4          | STK-K-06811      | 1   | 6500 MX - Hinge Assy                       |
| Parts List |                  |     |  |

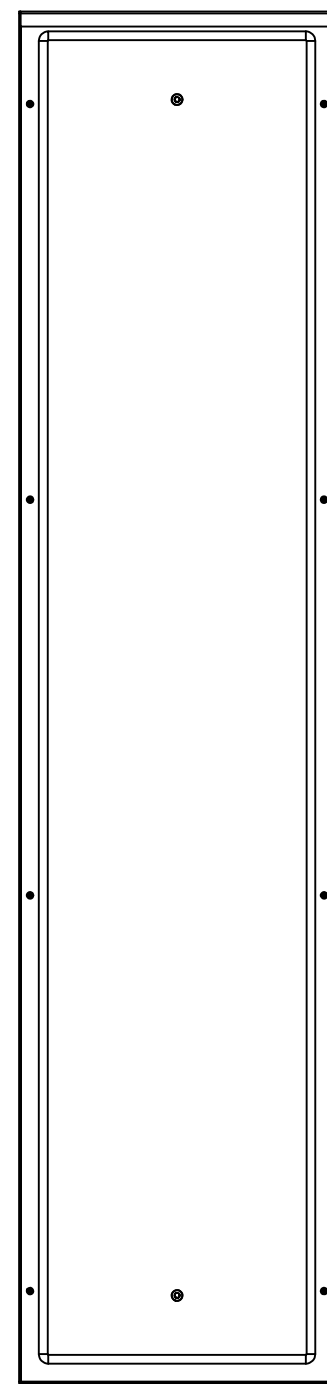
|  |                               |  |
|--|-------------------------------|--|
| Tél: (450) 979-4373<br>Fax: (450) 979-4626<br><a href="http://www.exmweb.com">www.exmweb.com</a> |                               | Flatness<br>Aplatissement<br>Max 3.0mm<br>Projection<br> |
| Customer Client  |                               | Date   |
| Drawn By / Dessiné Par: BoxCad: Annie  |                               | Date: 05/02/2015   |
| Material / Matière: 14 Ga H.R.P. & O. (1.7mm)  |                               |  |
| Color / Couleur: Light Grey RAL7035  | Finish / Fini: Rough Textured |  |
| Description: 6500 MXD 1600mm x 1000mm Front  |                               | Detail Rev.  |
| Part Number / Numéro Pièce: <b>6500MXK161004F</b>  |                               | Rev. 3   |
|  |                               | <b>0</b> / 3   |



This drawing is confidential and must not be reproduced or used without the consent of EXM

Ce dessin est confidentiel et ne doit pas être reproduit ou utilisé sans le consentement de EXM

TOP



BACK



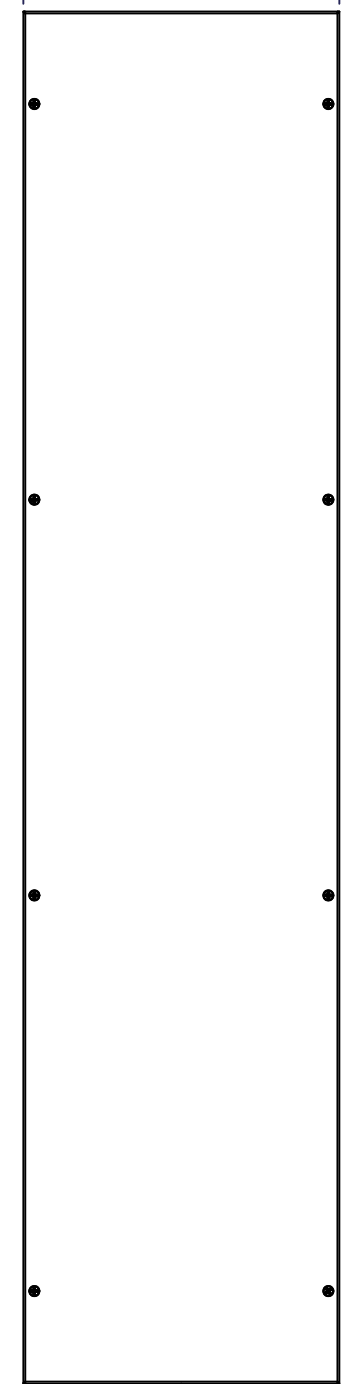
BOTTOM

0.0  
13.0



LEFT

0.0



FRONT

360.0

1560.0



RIGHT

0.0

| No. | Revisions | Date | By/Par |
|-----|-----------|------|--------|
|     |           |      |        |
|     |           |      |        |
|     |           |      |        |
|     |           |      |        |
|     |           |      |        |

Isometric View

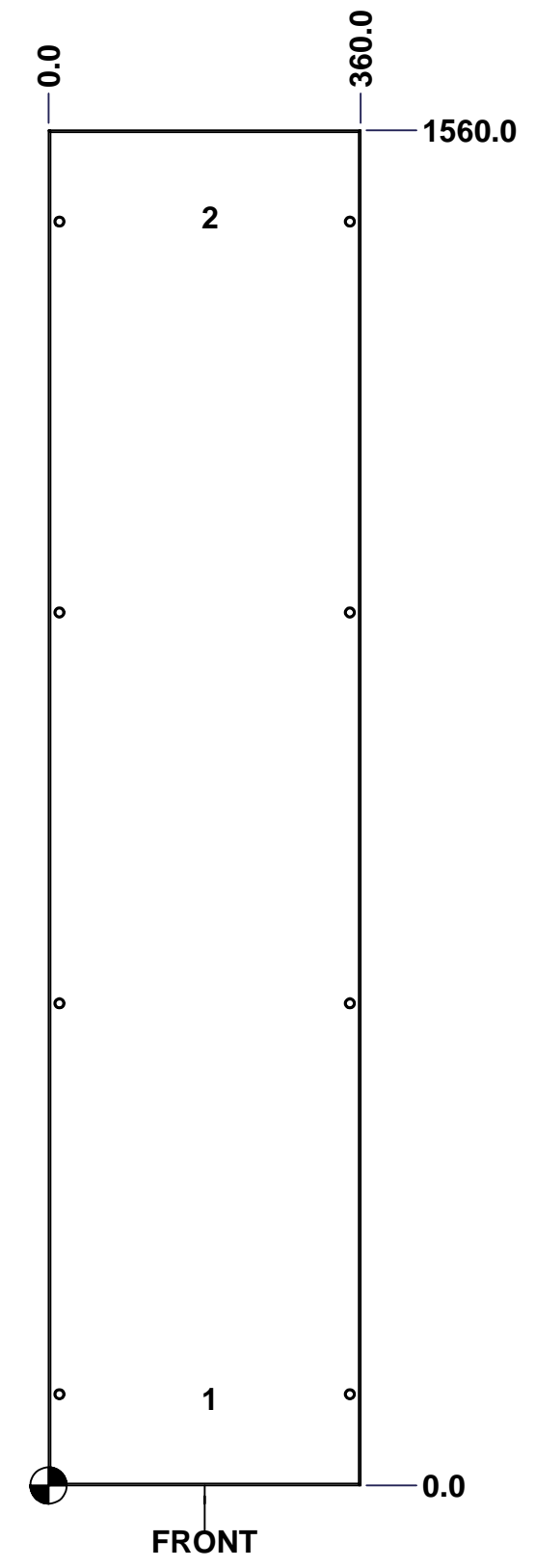
|  |  |                                     |        |
|--|--|-------------------------------------|--------|
| Tél: (450) 979-4373<br>Fax: (450) 979-4626<br><a href="http://www.exmweb.com">www.exmweb.com</a> |  | Flatness<br>Aplatissement           |        |
|  |  | Max 3.0mm                           |        |
| Customer<br>Client   |  | Projection                          |        |
| Date   |  |                                     |        |
| Drawn By<br>Dessiné Par BoxCad: Annie  |  | Date 05/02/2015                     |        |
| Material<br>Matière 16 Ga H.R.P. & O. (1.4mm)  |  | Color<br>Couleur Light Grey RAL7035 |        |
| Description  |  | Finish<br>Fini Rough Textured       |        |
| 6500 MXC 1600mm x 400mm Left   |  | Detail Rev.                         |        |
| Part Number<br>Numéro Pièce <b>6500MXK161004L</b>  |  | Rev. <b>0</b>                       | 1<br>3 |

SEE BILL OF MATERIAL ON LAST PAGE

This drawing is confidential and must not be reproduced or used without the consent of EXM

Ce dessin est confidentiel et ne doit pas être reproduit ou utilisé sans le consentement de EXM

| STANDARD FEATURES ARE NOT LISTED IN THIS HOLE TABLE |       |        |                             |
|---|-------|--------|-----------------------------|
| HOLE TABLE - FRONT VIEW (CUSTOM FEATURE ONLY)       |       |        |                             |
| CUT-OUT   | XDIM  | YDIM   | DESCRIPTION                 |
| 1   | 180.0 | 100.0  | GND STUD M6 x 16mm (Inside) |
| 2   | 180.0 | 1460.0 | GND STUD M6 x 16mm (Inside) |

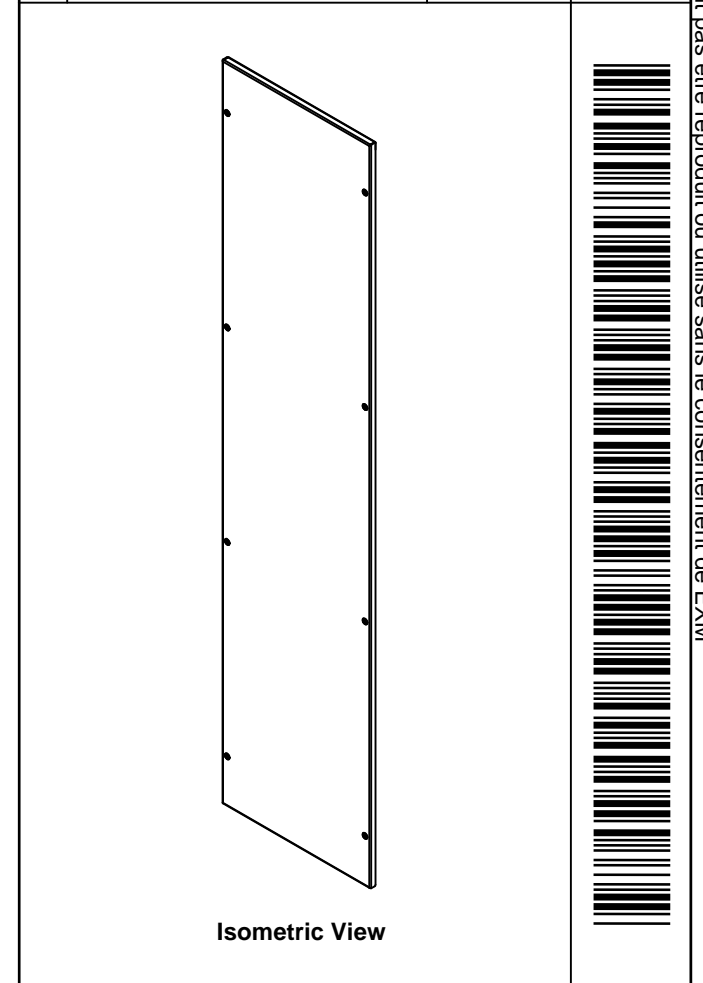


|  |                              |          |
|--|------------------------------|----------|
|  | Description                  | Status   |
|  | 6500 MXC 1600mm x 400mm Left | (NULL)   |
|  | Part Number<br>Numéro Pièce  | Rev.     |
|  | <b>6500MXK161004L</b>        | <b>0</b> |
|  |                              | 2        |
|  |                              | 3        |

This drawing is confidential and must not be reproduced or used without the consent of EXM

Ce dessin est confidentiel et ne doit pas être reproduit ou utilisé sans le consentement de EXM

| No. | Revisions | Date | By/Par |
|-----|-----------|------|--------|
|     |           |      |        |
|     |           |      |        |
|     |           |      |        |
|     |           |      |        |
|     |           |      |        |

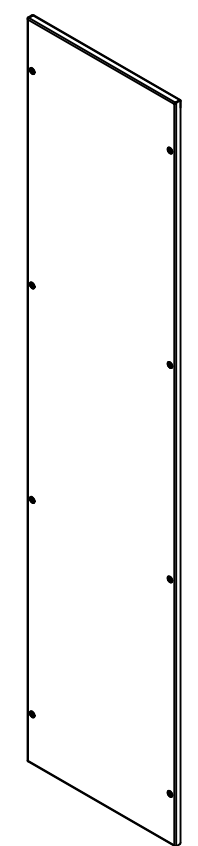
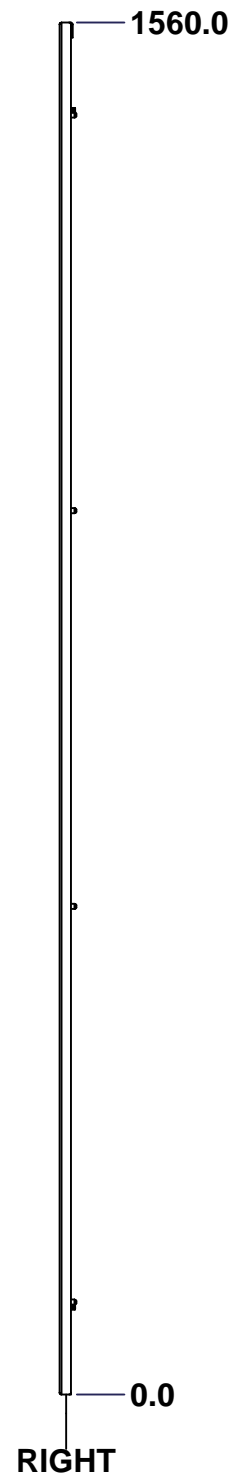
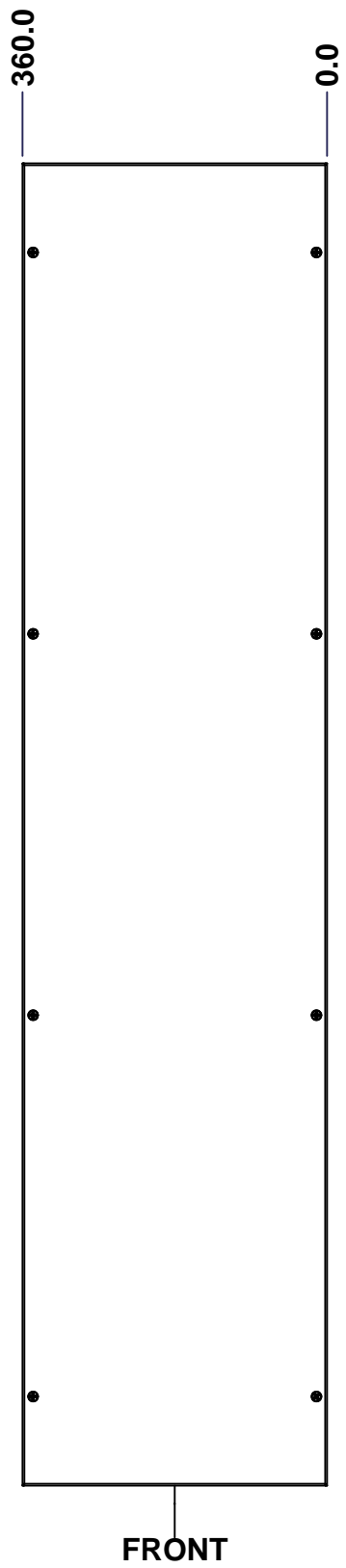
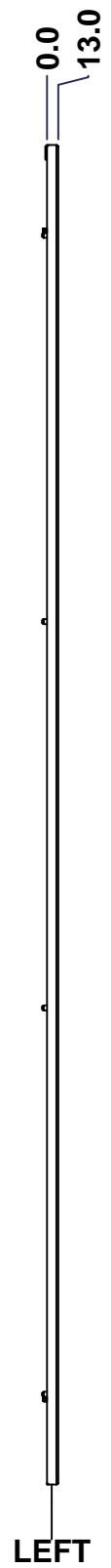
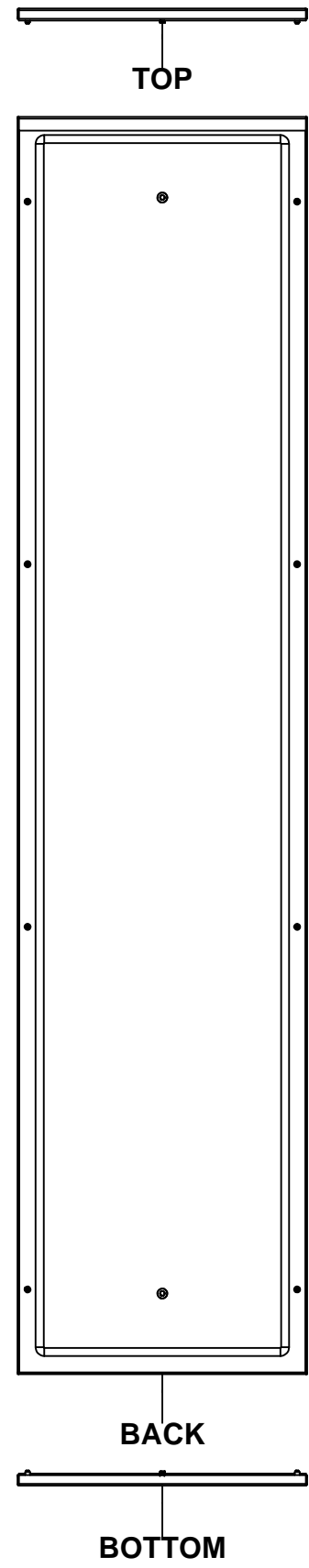


|  |  |                               |             |
|--|--|-------------------------------|-------------|
| Tél: (450) 979-4373<br>Fax: (450) 979-4626<br><a href="http://www.exmweb.com">www.exmweb.com</a> |  | Flatness<br>Aplatissement     |             |
|  |  | Max 3.0mm<br>Projection       |             |
| Customer<br>Client   |  | Date                          |             |
| Drawn By<br>Dessiné Par BoxCad: Annie  |  | Date 05/02/2015               |             |
| Material<br>Matière 16 Ga H.R.P. & O. (1.4mm)  |  |                               |             |
| Color<br>Couleur Light Grey RAL7035  |  | Finish<br>Fini Rough Textured |             |
| Description<br>6500 MXC 1600mm x 400mm Left  |  |                               | Detail Rev. |
| Part Number<br>Numéro Pièce <b>6500MXK161004L</b>  |  | Rev. <b>0</b>                 | 3<br>3      |

| Qty        | Part Number      | Rev   | Description                                |
|------------|------------------|-------|--|
| 1          | STK-P-03820R     | 0     | Powder Paint (Light Grey / Rough Textured) |
| 8          | STK-Q-03072      | 2     | M6 x 17mm Phillips Flat Head Screw         |
| 2          | STK-Q-16080      | 0.1.1 | M6 x 16mm Ground Stud                      |
| 1          | 6500MXK161004LG  | 0     | 6500 MXC 1600mm x 400mm Left Gasket        |
| 1          | 6500MXK161004L-P | 0     | 6500 MXC 1600mm x 400mm Left Part          |
| Parts List |                  |       |  |

This drawing is confidential and must not be reproduced or used without the consent of EXM


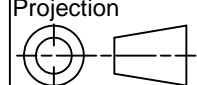
Ce dessin est confidentiel et ne doit pas être reproduit ou utilisé sans le consentement de EXM



Isometric View



| No. | Revisions | Date | By/Par |
|-----|-----------|------|--------|
|     |           |      |        |
|     |           |      |        |
|     |           |      |        |
|     |           |      |        |
|     |           |      |        |

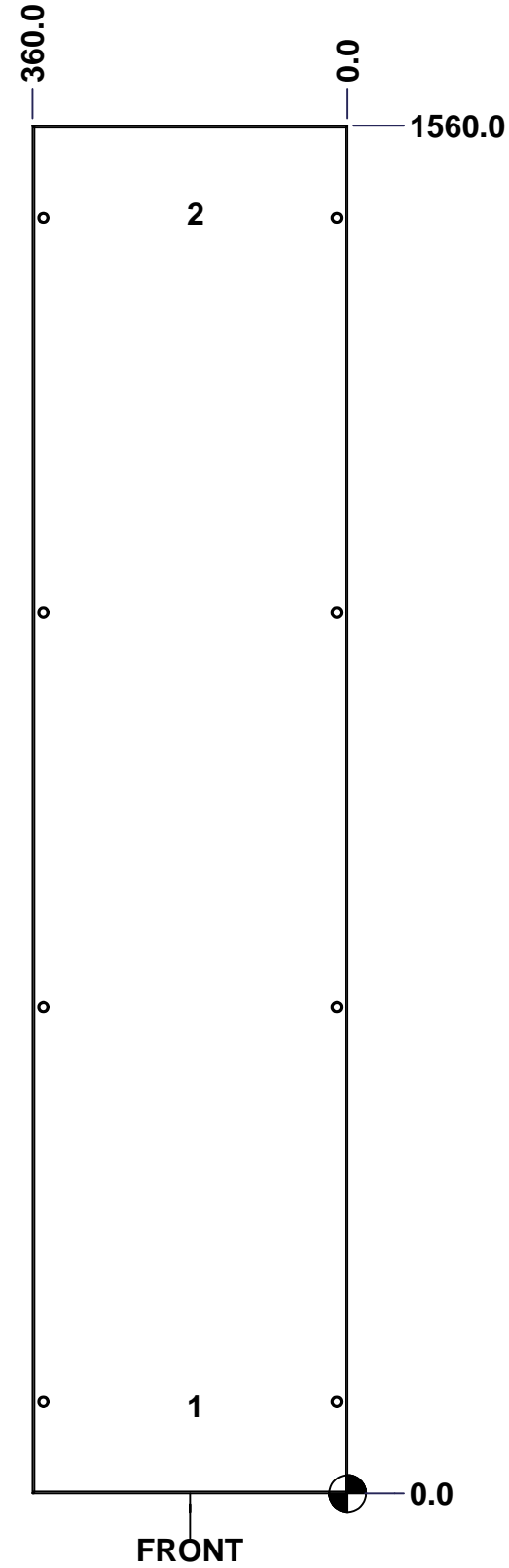
|  |                           |   |
|--|---------------------------|---|
|  Tél: (450) 979-4373<br>Fax: (450) 979-4626<br><a href="http://www.exmweb.com">www.exmweb.com</a> |                           | Flatness<br>Aplatissement<br>Max 3.0mm<br>Projection<br> |
| Customer<br>Client   | Date                      | Date  |
| Drawn By<br>Dessiné Par  | BoxCad: Annie             | 05/02/2015  |
| Material<br>Matière  | 16 Ga H.R.P. & O. (1.4mm) |   |
| Color<br>Couleur   | Light Grey RAL7035        | Finish<br>Fin   |
| Description  |                           | Detail Rev.   |
| 6500 MXC 1600mm x 400mm Right  |                           |   |
| Part Number<br>Numéro Pièce  | Rev.                      |   |
| <b>6500MXK161004R</b>  | <b>0</b>                  | 1 / 3   |

SEE BILL OF MATERIAL ON LAST PAGE

This drawing is confidential and must not be reproduced or used without the consent of EXM

Ce dessin est confidentiel et ne doit pas être reproduit ou utilisé sans le consentement de EXM

| STANDARD FEATURES ARE NOT LISTED IN THIS HOLE TABLE |       |        |                             |
|---|-------|--------|-----------------------------|
| HOLE TABLE - FRONT VIEW (CUSTOM FEATURE ONLY)       |       |        |                             |
| CUT-OUT   | XDIM  | YDIM   | DESCRIPTION                 |
| 1   | 180.0 | 100.0  | GND STUD M6 x 16mm (Inside) |
| 2   | 180.0 | 1460.0 | GND STUD M6 x 16mm (Inside) |

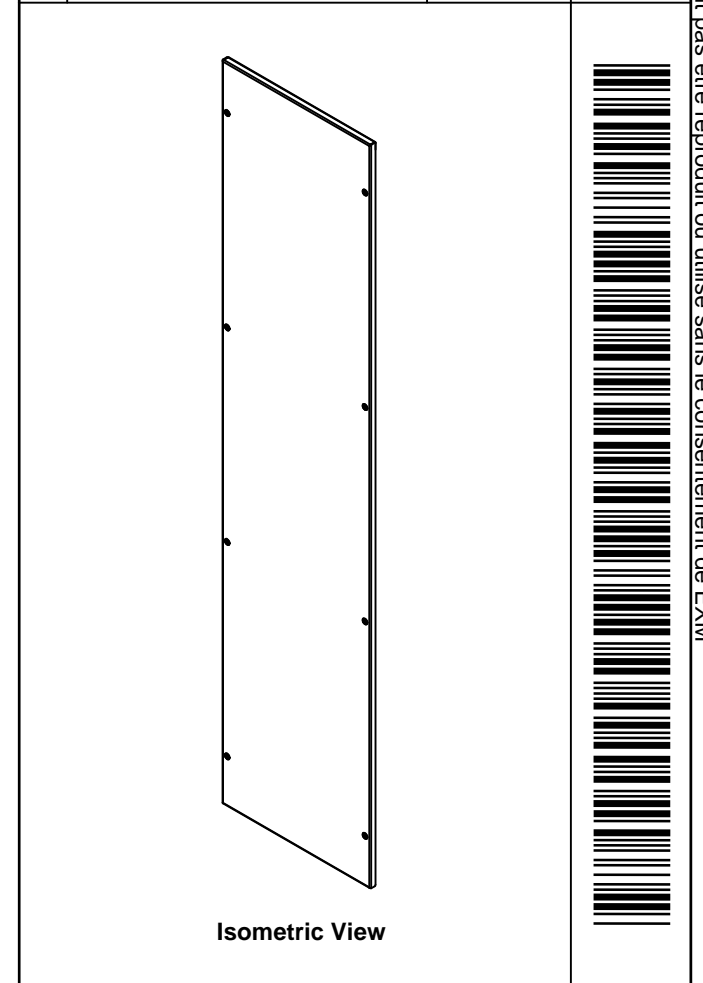



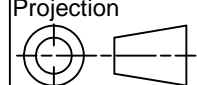
|  |                               |          |       |
|--|-------------------------------|----------|-------|
|  | Description                   | Status   |       |
|  | 6500 MXC 1600mm x 400mm Right | (NULL)   |       |
|  | Part Number<br>Numéro Pièce   | Rev.     |       |
|  | <b>6500MXK161004R</b>         | <b>0</b> | 2 / 3 |

This drawing is confidential and must not be reproduced or used without the consent of EXM

Ce dessin est confidentiel et ne doit pas être reproduit ou utilisé sans le consentement de EXM

| No. | Revisions | Date | By/Par |
|-----|-----------|------|--------|
|     |           |      |        |
|     |           |      |        |
|     |           |      |        |
|     |           |      |        |
|     |           |      |        |

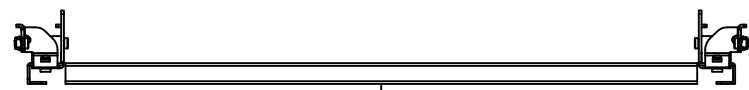


|  |                               |   |
|--|-------------------------------|---|
|  Tél: (450) 979-4373<br>Fax: (450) 979-4626<br><a href="http://www.exmweb.com">www.exmweb.com</a> |                               | Flatness<br>Aplatissement<br>Max 3.0mm<br>Projection<br> |
| Customer<br>Client   | Date                          |   |
| Drawn By<br>Dessiné Par  | BoxCad: Annie                 | Date 05/02/2015   |
| Material<br>Matière  | 16 Ga H.R.P. & O. (1.4mm)     |   |
| Color<br>Couleur   | Light Grey RAL7035            | Finish<br>Fini<br>Rough<br>Textured   |
| Description  | 6500 MXC 1600mm x 400mm Right | Detail Rev.   |
| Part Number<br>Numéro Pièce  | <b>6500MXK161004R</b>         | Rev. 3  |
|  |                               | <b>0</b> / 3  |

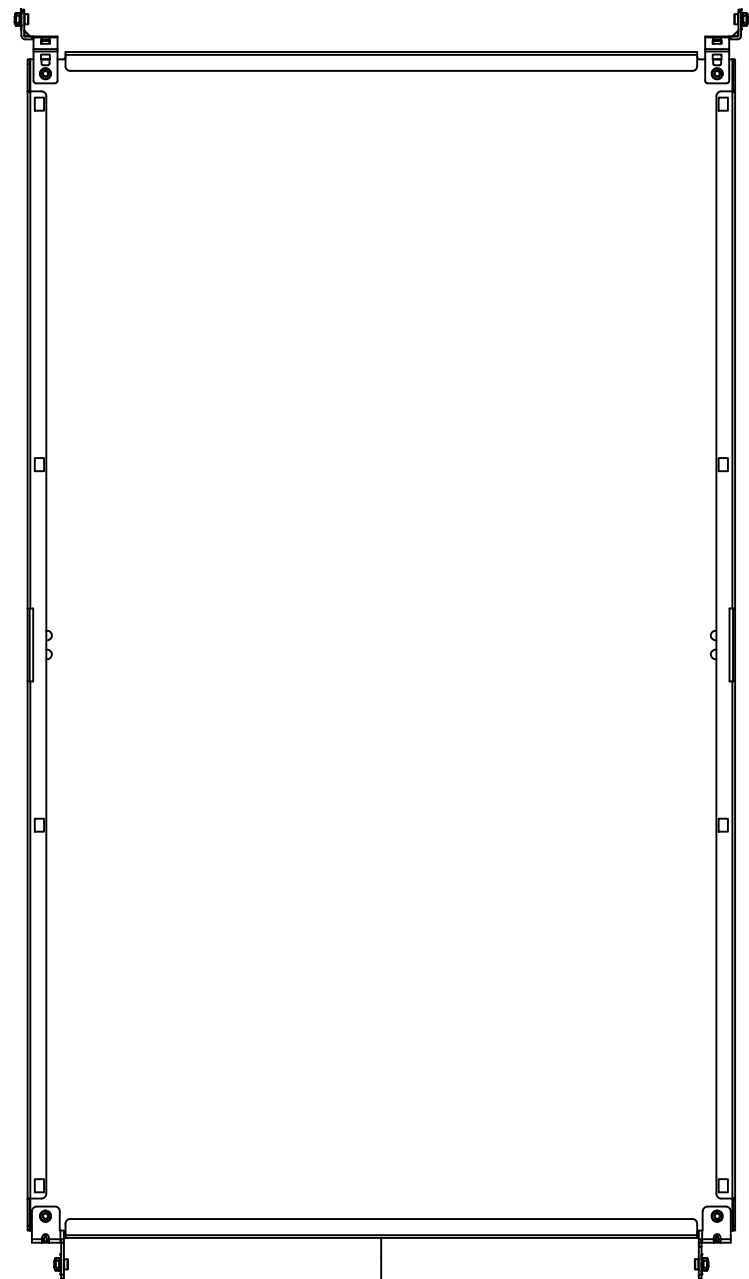
| Qty        | Part Number      | Rev   | Description                                |
|------------|------------------|-------|--|
| 1          | STK-P-03820R     | 0     | Powder Paint (Light Grey / Rough Textured) |
| 8          | STK-Q-03072      | 2     | M6 x 17mm Phillips Flat Head Screw         |
| 2          | STK-Q-16080      | 0.1.1 | M6 x 16mm Ground Stud                      |
| 1          | 6500MXK161004RG  | 0     | 6500 MXC 1600mm x 400mm Right Gasket       |
| 1          | 6500MXK161004R-P | 0     | 6500 MXC 1600mm x 400mm Right Part         |
| Parts List |                  |       |  |

This drawing is confidential and must not be reproduced or used without the consent of EXM

Ce dessin est confidentiel et ne doit pas être reproduit ou utilisé sans le consentement de EXM



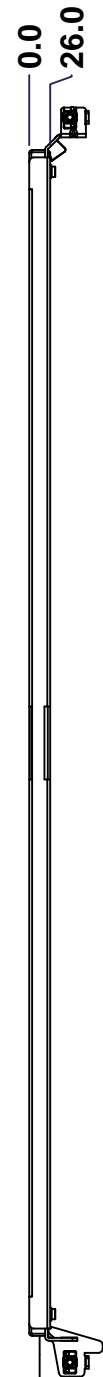
TOP



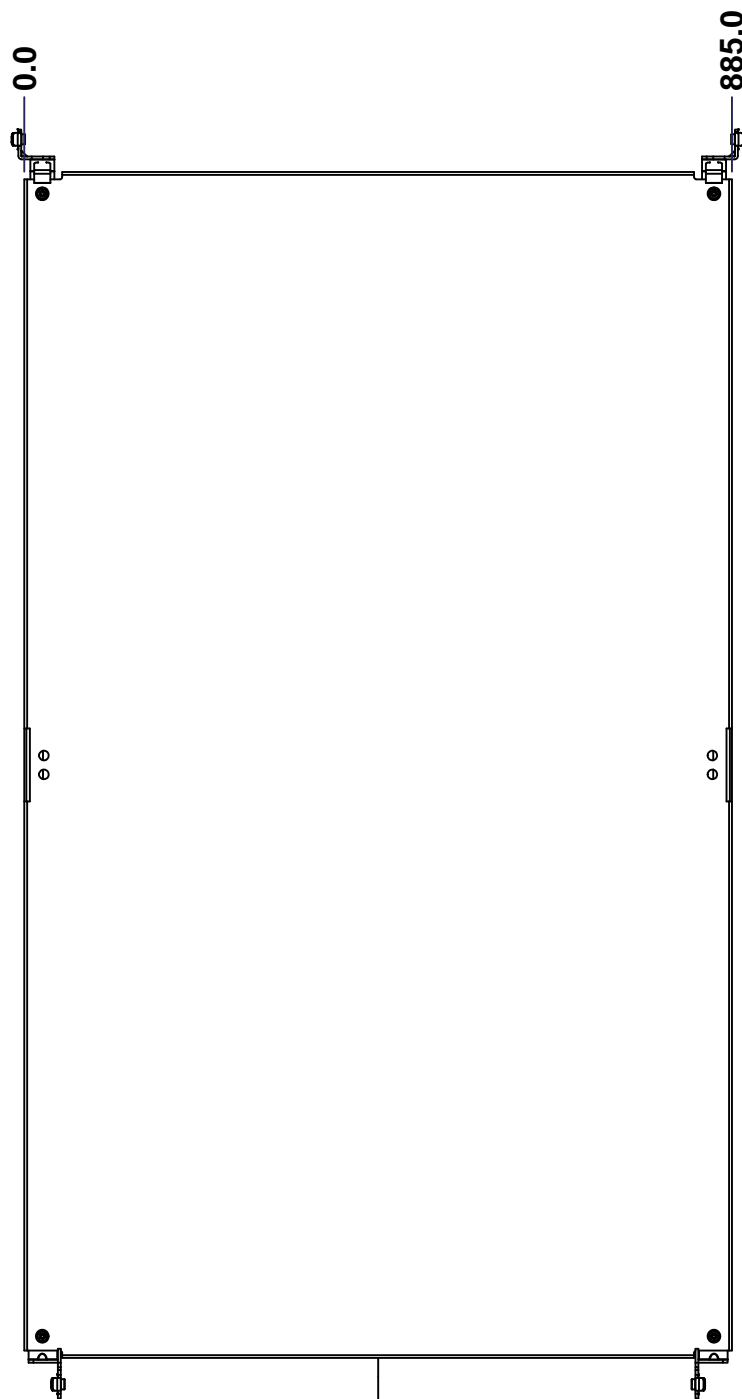
BACK



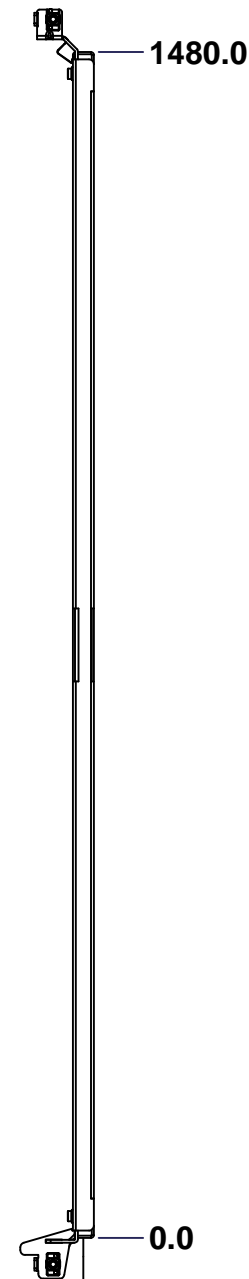
BOTTOM



LEFT

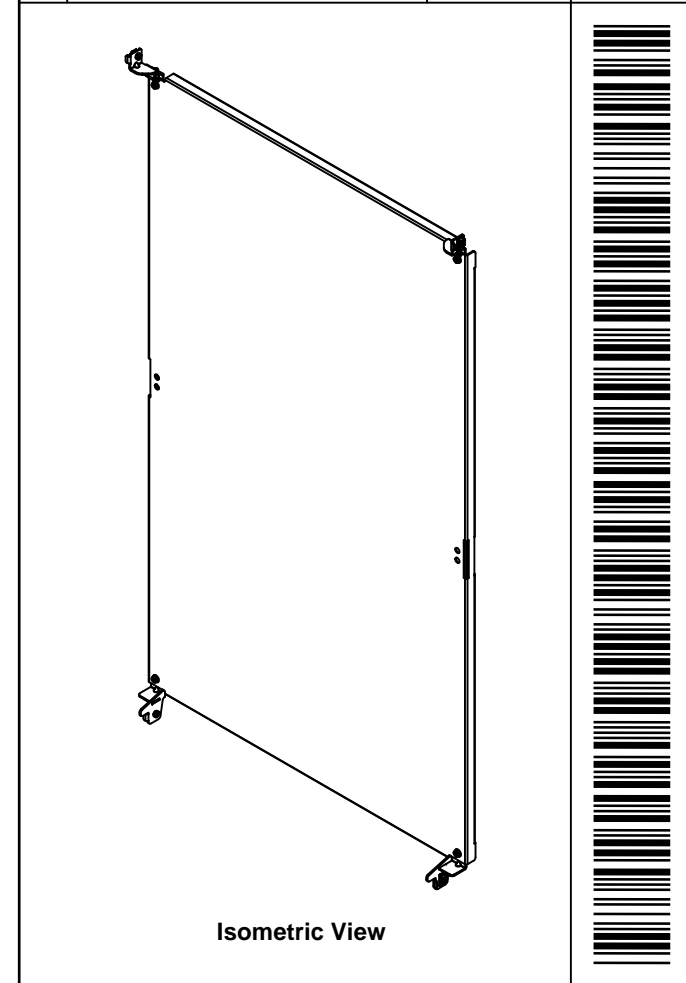


FRONT



RIGHT

| No. | Revisions | Date | By/Par |
|-----|-----------|------|--------|
|     |           |      |        |
|     |           |      |        |
|     |           |      |        |
|     |           |      |        |



Isometric View

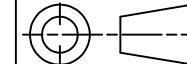


Tél: (450) 979-4373  
 Fax: (450) 979-4626  
[www.exmweb.com](http://www.exmweb.com)

Flatness  
Aplatissement

Max 3.0mm

Projection



|                                       |                 |
|---------------------------------------|-----------------|
| Customer Client                       | Date            |
| Drawn By<br>Dessiné Par BoxCad: Annie | Date 05/02/2015 |

Material Matière 12 Ga Galvanized (2.5mm)

|                         |                       |
|-------------------------|-----------------------|
| Color Couleur Unpainted | Finish Fini Unpainted |
|-------------------------|-----------------------|

Description 6500 MXM 1600mm x 1000mm Back Inner Panel

|                             |        |        |
|-----------------------------|--------|--------|
| Part Number<br>Numéro Pièce | Rev. 0 | 1<br>3 |
|-----------------------------|--------|--------|

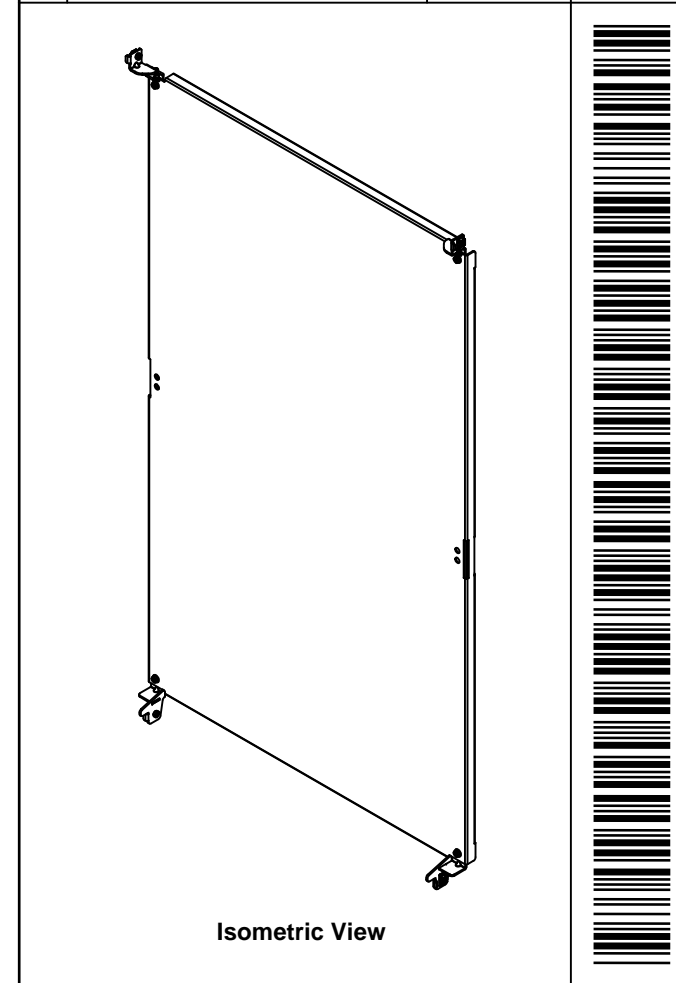
SEE BILL OF MATERIAL ON LAST PAGE

**6500MXK161004BIP**

This drawing is confidential and must not be reproduced or used without the consent of EXM

Ce dessin est confidentiel et ne doit pas être reproduit ou utilisé sans le consentement de EXM

| No. | Revisions | Date | By/Par |
|-----|-----------|------|--------|
|     |           |      |        |
|     |           |      |        |
|     |           |      |        |
|     |           |      |        |
|     |           |      |        |



|  |  |                           |             |
|--|--|---------------------------|-------------|
| Tél: (450) 979-4373<br>Fax: (450) 979-4626<br><a href="http://www.exmweb.com">www.exmweb.com</a> |  | Flatness<br>Aplatissement |             |
|  |  | Max 3.0mm<br>Projection   |             |
| Customer<br>Client   |  | Date                      |             |
| Drawn By<br>Dessiné Par BoxCad: Annie  |  | Date 05/02/2015           |             |
| Material<br>Matière 12 Ga Galvanized (2.5mm)   |  |                           |             |
| Color<br>Couleur Unpainted   |  | Finish<br>Fini Unpainted  |             |
| Description<br>6500 MXM 1600mm x 1000mm Back Inner Panel   |  |                           | Detail Rev. |
| Part Number<br>Numéro Pièce  |  | Rev.                      | 3           |
| <b>6500MXK161004BIP</b>  |  | <b>0</b>                  | <b>3</b>    |

| Qty        | Part Number        | Rev | Description                                      |
|------------|--------------------|-----|--|
| 1          | STK-A-49005        | 0   | 6500MXM - Bottom Inner Panel Support Kit (Right) |
| 1          | STK-A-49000        | 0   | 6500MXM - Bottom Inner Panel Support Kit (Left)  |
| 1          | STK-A-49015        | 0   | 6500MXM - Top Inner Panel Support Kit (Right)    |
| 1          | STK-A-49010        | 0   | 6500MXM - Top Inner Panel Support Kit (Left)     |
| 1          | 6500MXK161004BIP-P | 0   | 6500 MXM 1600mm x 1000mm Back Inner Panel Part   |
| Parts List |                    |     |  |