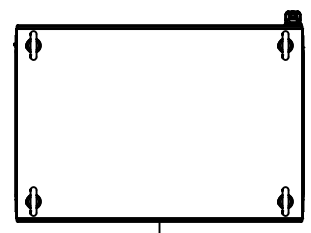
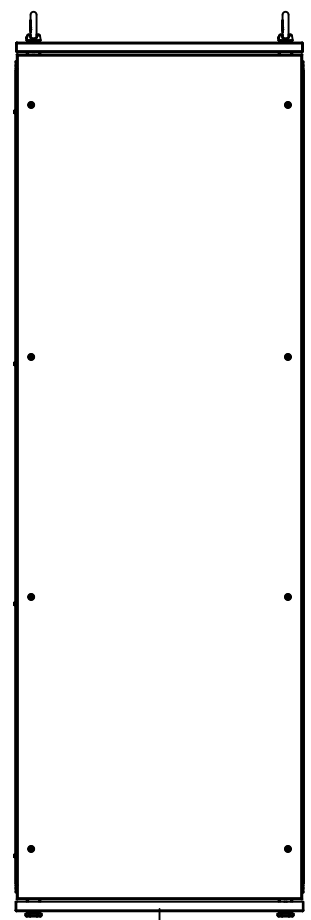


This drawing is confidential and must not be reproduced or used without the consent of EXM

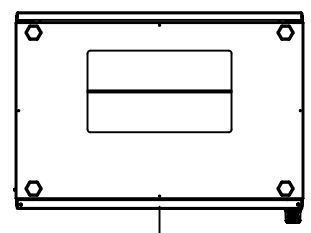
Ce dessin est confidentiel et ne doit pas être reproduit ou utilisé sans le consentement de EXM



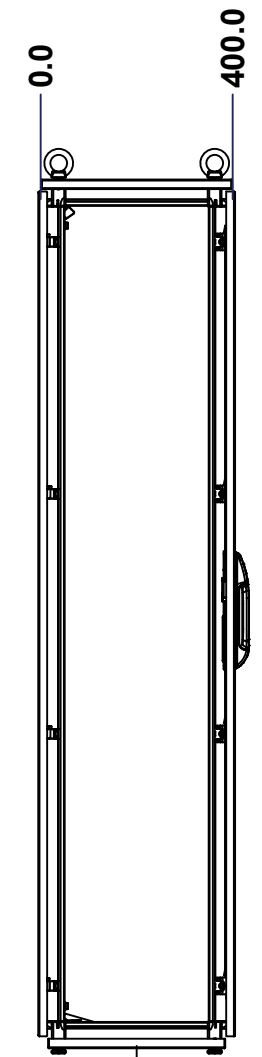
TOP



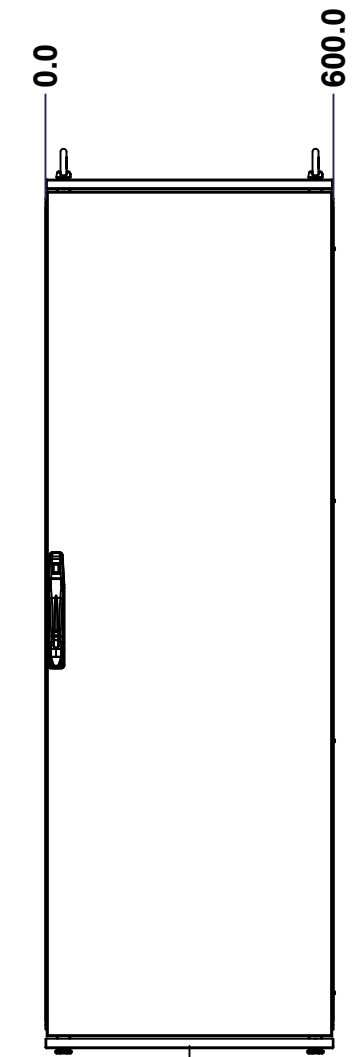
BACK



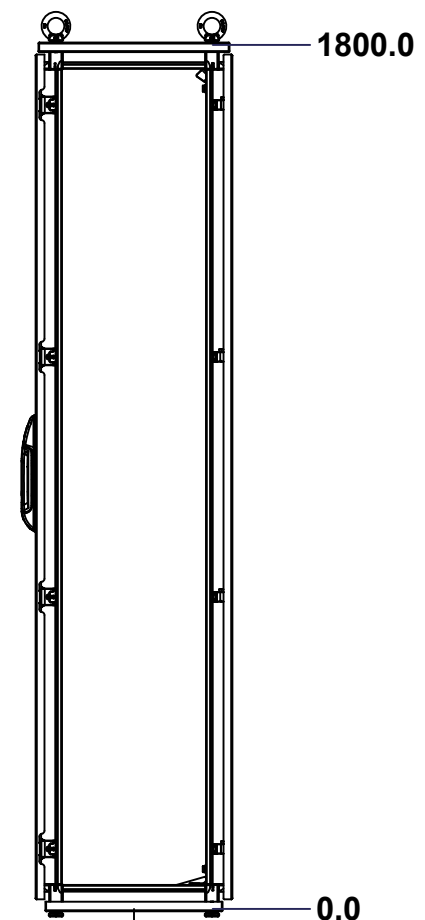
BOTTOM



LEFT

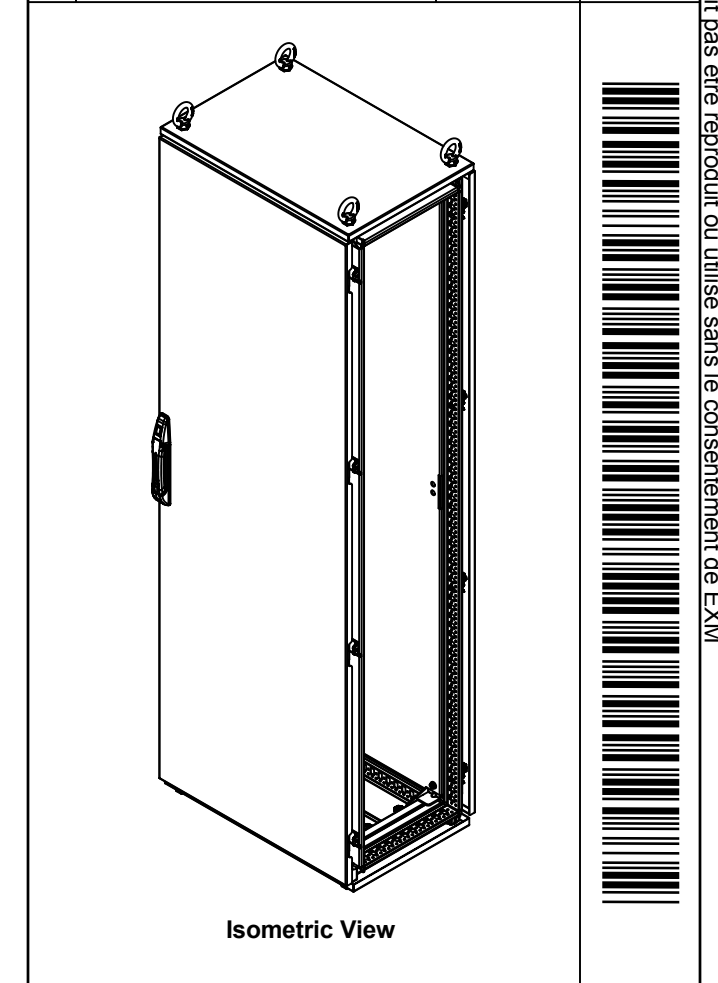



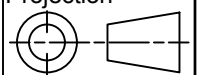
FRONT



RIGHT

No.	Revisions	Date	By/Par
0.1	Update to current style	21-Apr-21	HunterZ



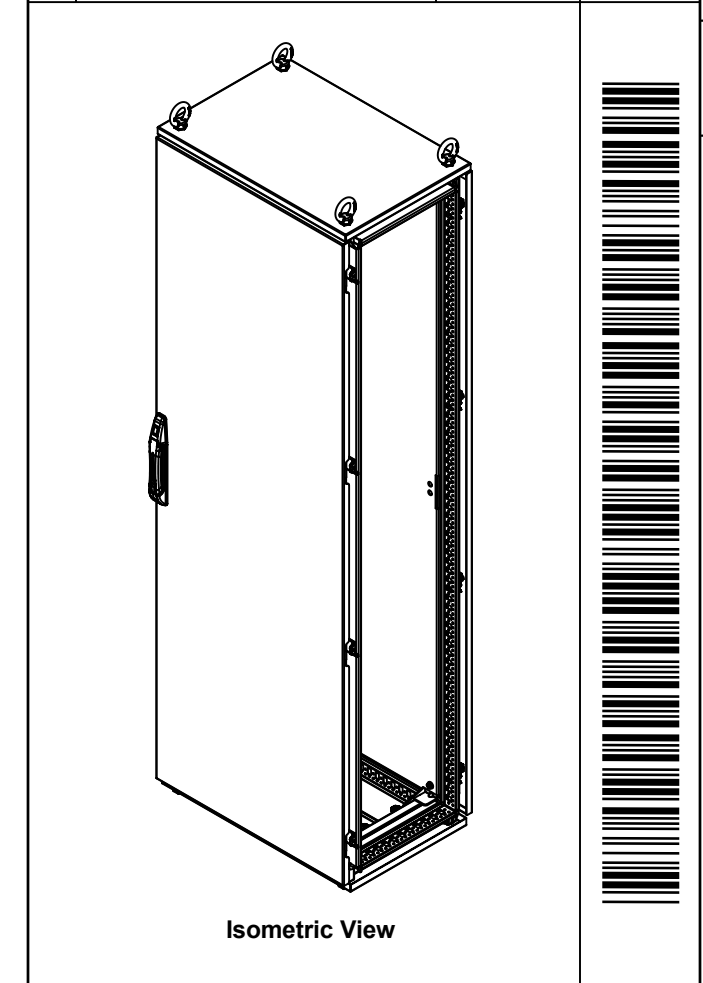
 Tél: (450) 979-4373 Fax: (450) 979-4626 <a href="http://www.exmweb.com">www.exmweb.com</a>		Flatness Aplatissement Max 3.0mm Projection 
Customer Client	Date	
Drawn By Dessiné Par	BoxCad: HunterZ	Date 10-Feb-15
Material Matière	See Part List	
Color Couleur	See Part List	Finish Fini See Part List
Description 6500MX 1800mm x 600mm x 400mm Assembly		Detail Rev.
Part Number Numéro Pièce	<b>6500MXK180604</b>	Rev. 1 0

SEE BILL OF MATERIAL ON LAST PAGE

This drawing is confidential and must not be reproduced or used without the consent of EXM

Ce dessin est confidentiel et ne doit pas être reproduit ou utilisé sans le consentement de EXM

No.	Revisions	Date	By/Par
0.1	Update to current style	21-Apr-21	HunterZ

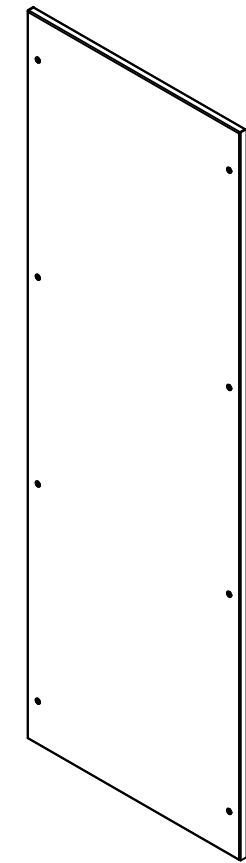
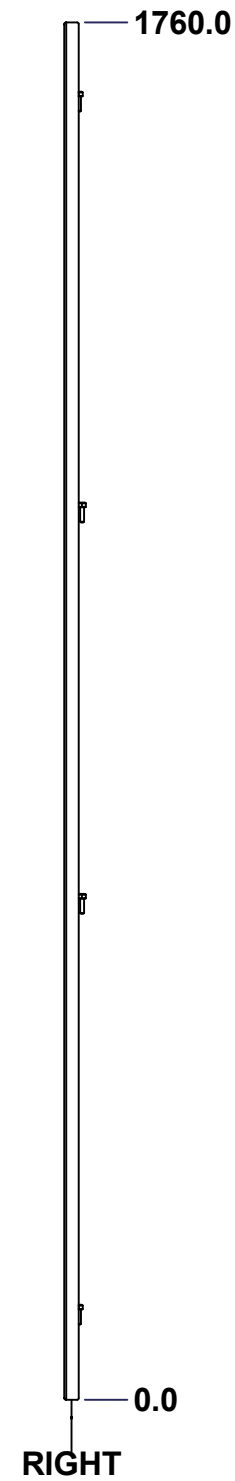
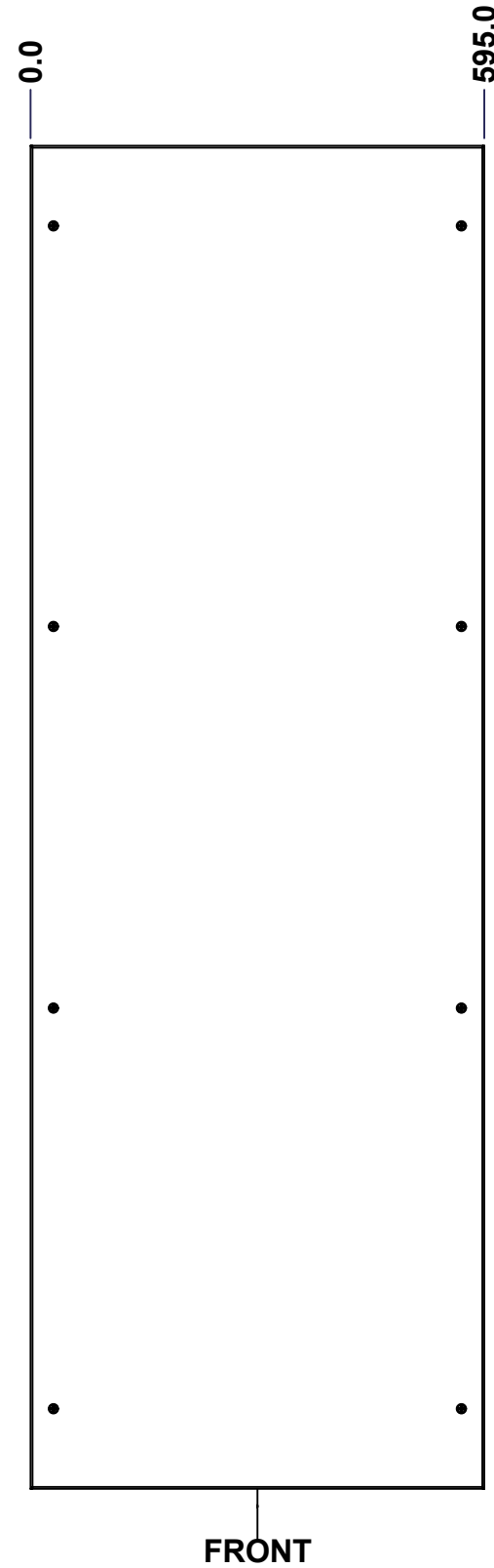
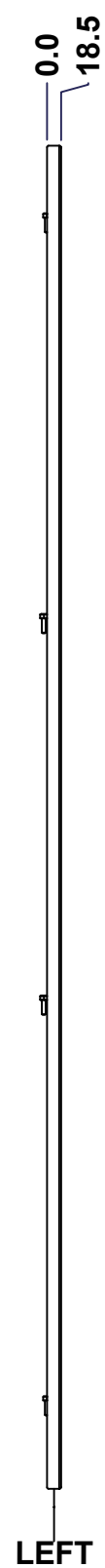
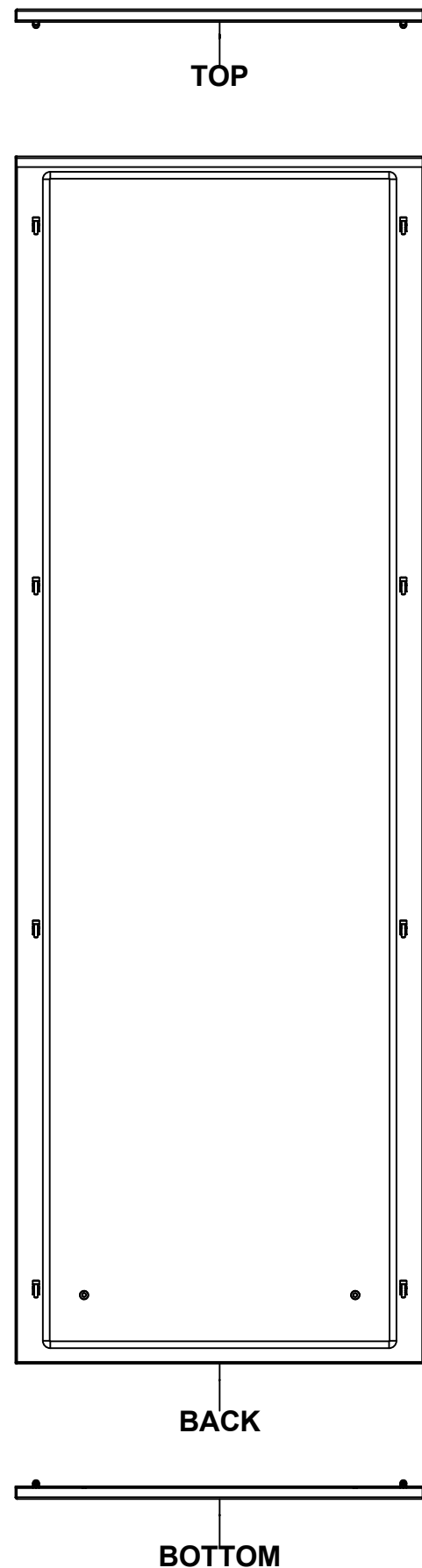


Tél: (450) 979-4373 Fax: (450) 979-4626 <a href="http://www.exmweb.com">www.exmweb.com</a>		Flatness Aplatissement
		Max 3.0mm
Customer Client		Date
Drawn By Dessiné Par BoxCad: HunterZ		Date 10-Feb-15
Material Matière See Part List		
Color Couleur See Part List		Finish Fini See Part List
Description 6500MX 1800mm x 600mm x 400mm Assembly		Detail Rev.
Part Number Numéro Pièce <b>6500MXK180604</b>		Rev. 2 <b>0</b>

Qty	Part Number	Rev	Description
1	6500MXK180604BIP	0	6500 MXM 1800mm x 600mm Back Inner Panel
1	6500MXK180604F	0	6500 MXD 1800mm x 600mm Front
1	6500MXK180604B	0	6500 MXR 1800mm x 600mm Back
1	6500MXK180604BT	0	6500 MXB 600mm x 400mm Bottom
1	6500MXK180604T	0	6500 MXT 600mm x 400mm Top
1	6500MXK180604FR	0	6500 MX 1800mm x 600mm x 400mm Frame
Parts List			

This drawing is confidential and must not be reproduced or used without the consent of EXM


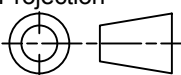
Ce dessin est confidentiel et ne doit pas être reproduit ou utilisé sans le consentement de EXM



Isometric View



No.	Revisions	Date	By/Par
0.1	Update to current style	21-Apr-21	HunterZ

 Tél: (450) 979-4373 Fax: (450) 979-4626 <a href="http://www.exmweb.com">www.exmweb.com</a>		Flatness Aplatissement Max 3.0mm Projection 
Customer Client	Date	
Drawn By Dessiné Par	BoxCad: HunterZ	Date 10-Feb-15
Material Matière	14 Ga Cold Rolled A1008 CS Type B	
Color Couleur	Light Grey RAL7035	Finish Fini Rough Textured
Description	Detail Rev.	
6500 MXR 1800mm x 600mm Back		
Part Number Numéro Pièce	Rev.	1
<b>6500MXK180604B</b>	<b>0</b>	3

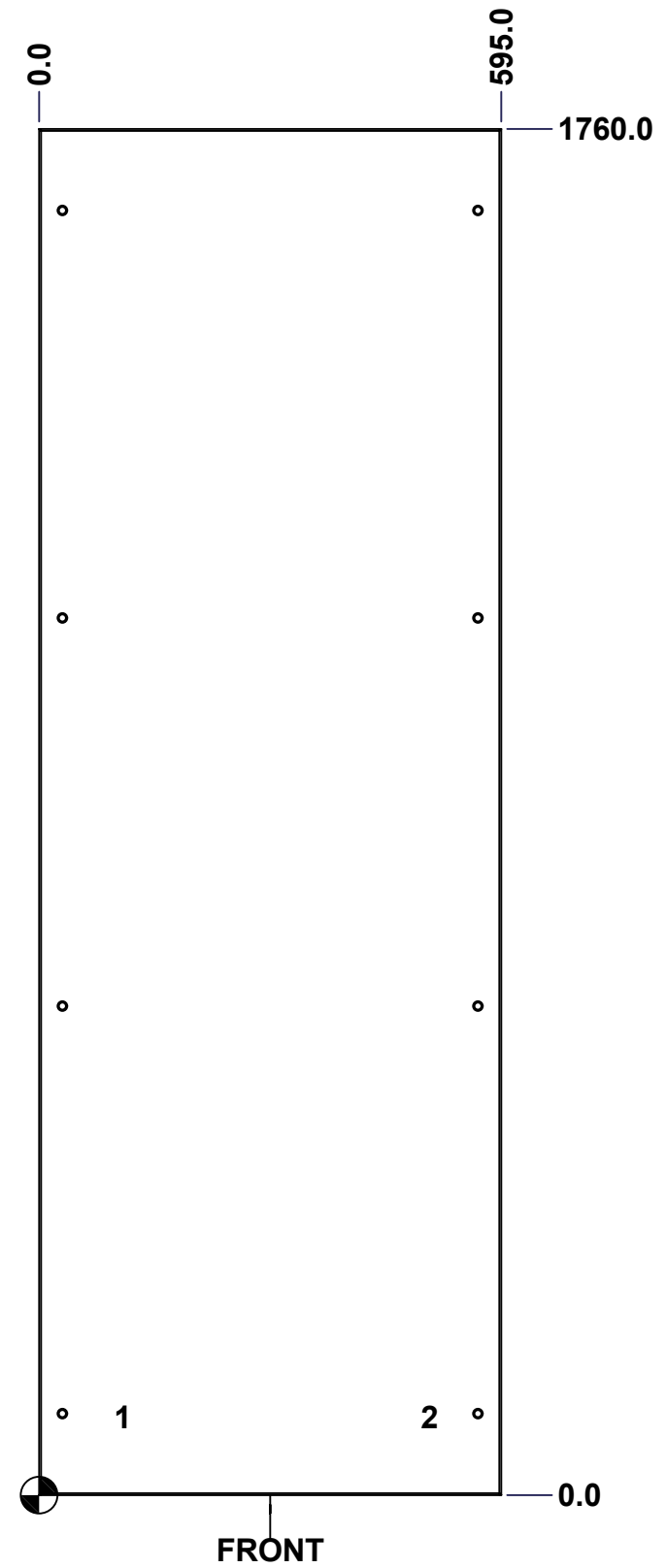
Use gasket program path 6500 MX > 6500 MXR

SEE BILL OF MATERIAL ON LAST PAGE

This drawing is confidential and must not be reproduced or used without the consent of EXM

Ce dessin est confidentiel et ne doit pas être reproduit ou utilisé sans le consentement de EXM

STANDARD FEATURES ARE NOT LISTED IN THIS HOLE TABLE			
HOLE TABLE - FRONT VIEW (CUSTOM FEATURE ONLY)			
CUT-OUT	XDIM	YDIM	DESCRIPTION
1	100.0	100.0	GND STUD M6 x 16mm (Inside)
2	495.0	100.0	GND STUD M6 x 16mm (Inside)



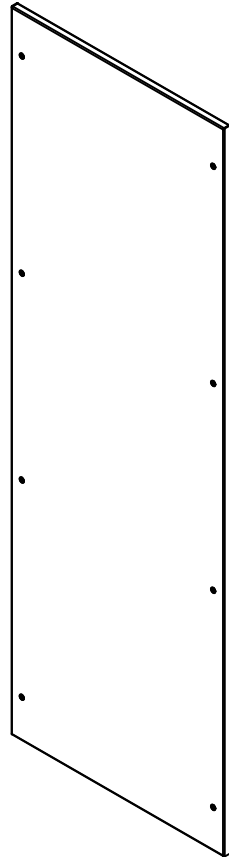
**Use bending program path 6500 MX > 6500 MXR**

	Description		Status
	6500 MXR 1800mm x 600mm Back		(NULL)
Part Number Numéro Pièce		Rev.	
<b>6500MXK180604B</b>		<b>0</b>	2 3

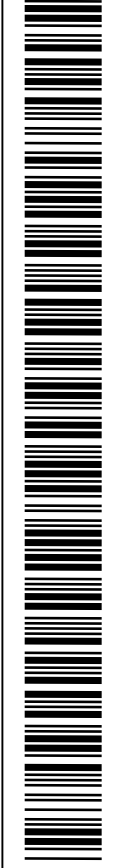
This drawing is confidential and must not be reproduced or used without the consent of EXM


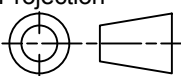
Ce dessin est confidentiel et ne doit pas être reproduit ou utilisé sans le consentement de EXM

No.	Revisions	Date	By/Par
0.1	Update to current style	21-Apr-21	HunterZ



**Isometric View**

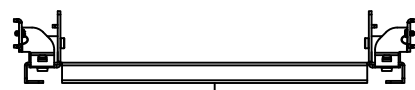


		Tél: (450) 979-4373 Fax: (450) 979-4626 <a href="http://www.exmweb.com">www.exmweb.com</a>		Flatness Aplatissement Max 3.0mm	
Customer Client		Date		Projection 	
Drawn By Dessiné Par		BoxCad: HunterZ		Date 10-Feb-15	
Material Matière		14 Ga Cold Rolled A1008 CS Type B			
Color Couleur		Light Grey RAL7035		Finish Fini Rough Textured	
Description 6500 MXR 1800mm x 600mm Back				Detail Rev.	
Part Number Numéro Pièce <b>6500MXK180604B</b>				Rev. 3 <b>0</b>	

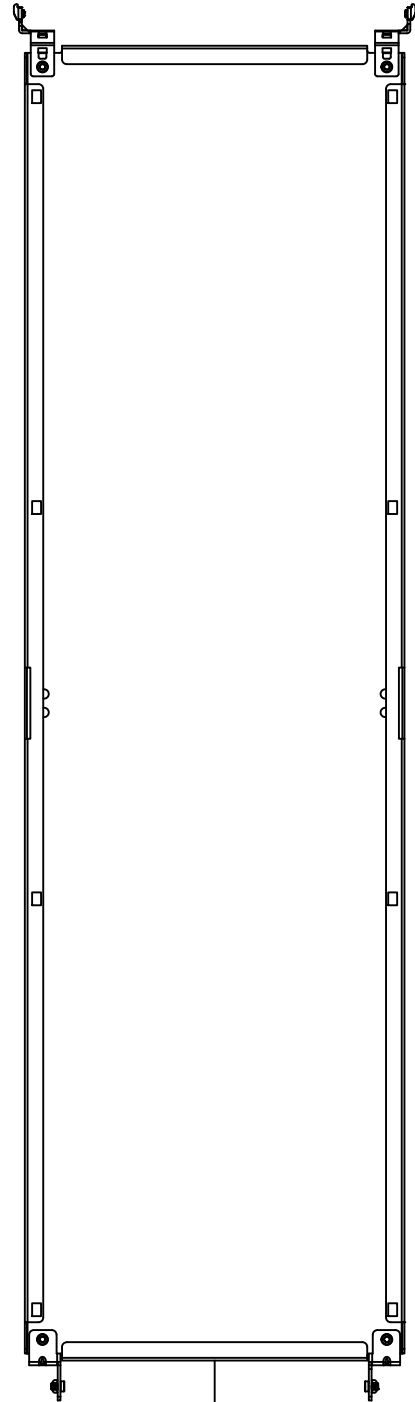
Qty	Part Number	Rev	Description
1	STK-P-03820R	0	Powder Paint (Light Grey / Rough Textured)
1	6500MXK180604BG	0	6500 MXR 1800mm x 600mm Back Gasket
8	STK-A-70579	3	6500 MX Side Panel Insert Assembly
8	STK-Q-03071	0	M6 x 16mm Machine Screw
2	STK-Q-16080	0	Ground Stud M6 x 16mm
1	6500MXK180604B-P	0	6500 MXR 1800mm x 600mm Back Part
Parts List			

This drawing is confidential and must not be reproduced or used without the consent of EXM

Ce dessin est confidentiel et ne doit pas être reproduit ou utilisé sans le consentement de EXM



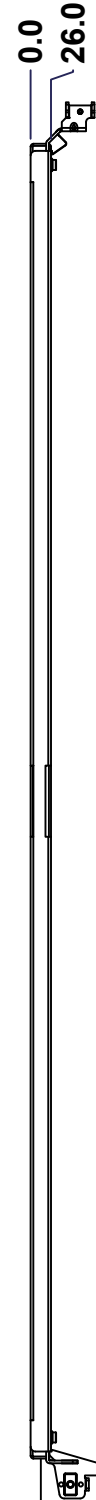
TOP



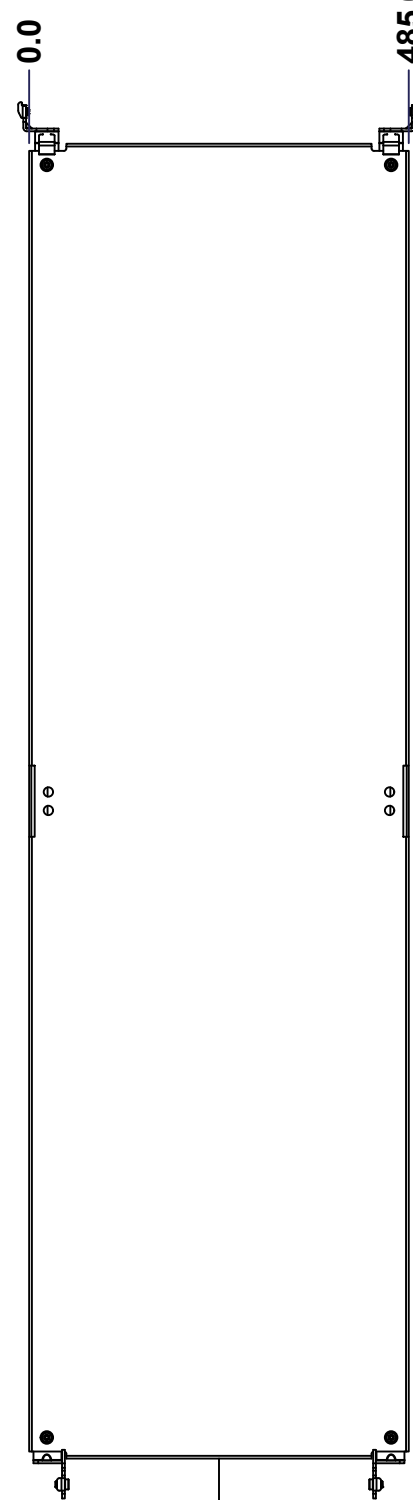
BACK



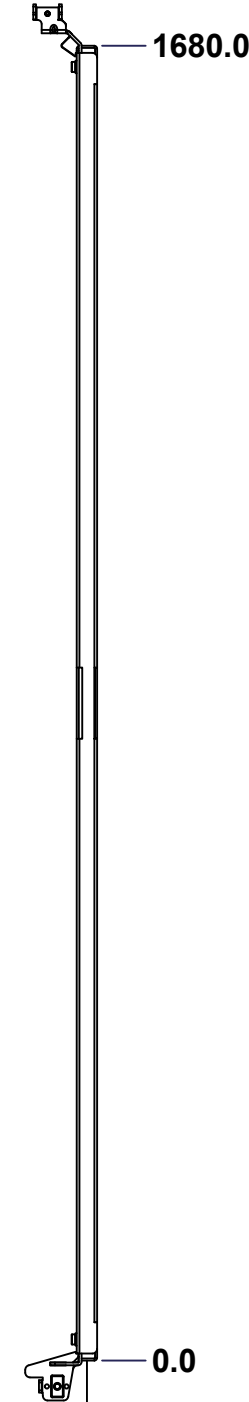
BOTTOM



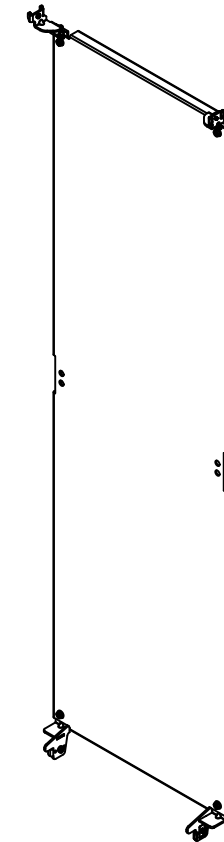
LEFT



FRONT




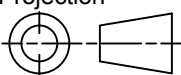
RIGHT



Isometric View



No.	Revisions	Date	By/Par
0.1	Update to current style	21-Apr-21	HunterZ

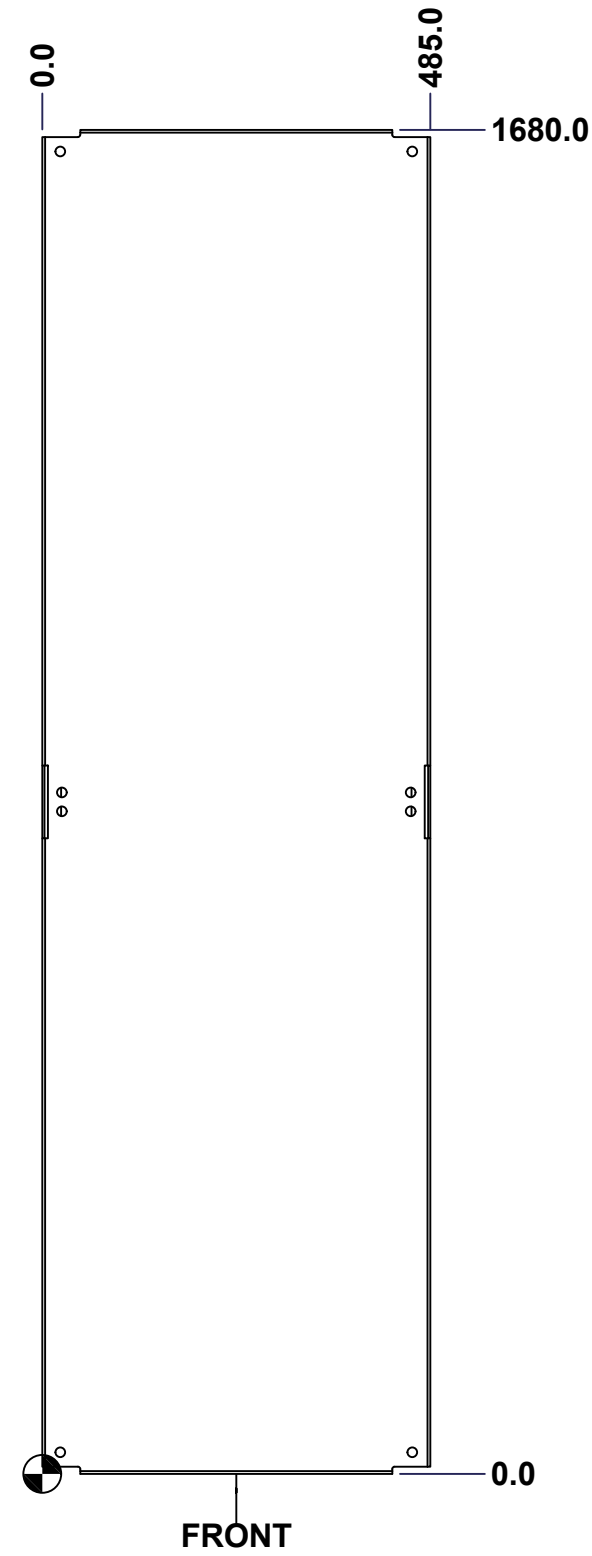
 Tél: (450) 979-4373 Fax: (450) 979-4626 <a href="http://www.exmweb.com">www.exmweb.com</a>		Flatness Aplatissement Max 3.0mm Projection 
Customer Client	Date	
Drawn By Dessiné Par	BoxCad: HunterZ	Date 10-Feb-15
Material Matière	12 Ga Galvanized (2.5mm)	
Color Couleur	Unpainted	Finish Fini Unpainted
Description	Detail Rev.	
6500 MXM 1800mm x 600mm Back Inner Panel		
Part Number Numéro Pièce	Rev.	1
<b>6500MXK180604BIP</b>	<b>0</b>	3

SEE BILL OF MATERIAL ON LAST PAGE

This drawing is confidential and must not be reproduced or used without the consent of EXM

**STANDARD FEATURES ARE NOT LISTED IN THIS HOLE TABLE**

Ce dessin est confidentiel et ne doit pas être reproduit ou utilisé sans le consentement de EXM

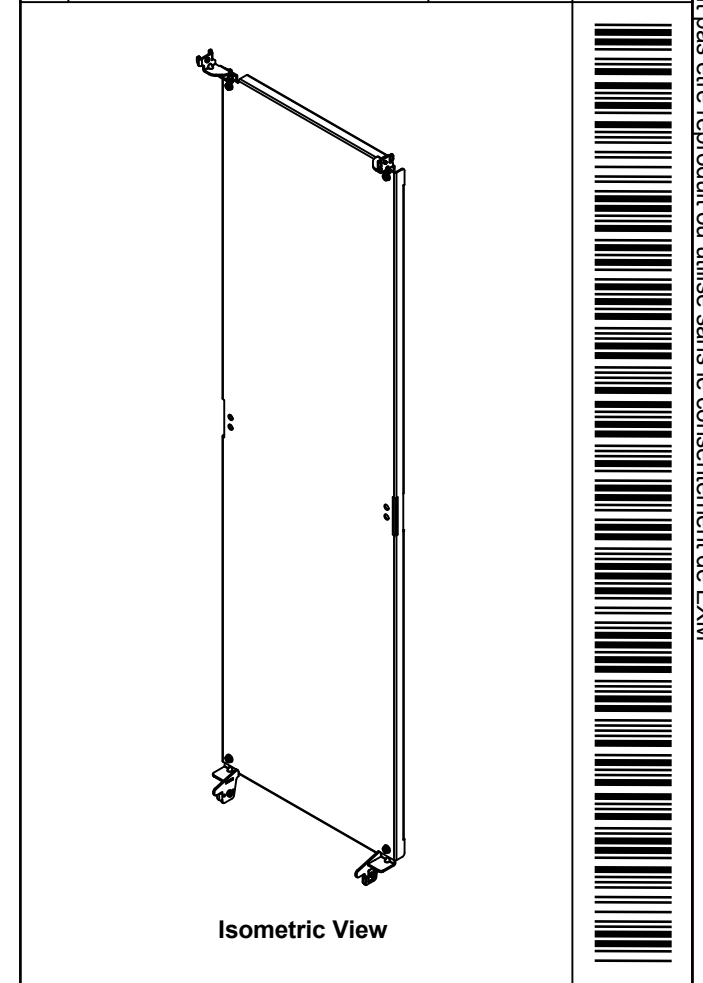



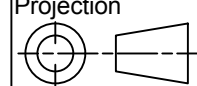
	Description 6500 MXM 1800mm x 600mm Back Inner Panel		Status (NULL)
	Part Number Numéro Pièce <b>6500MXK180604BIP</b>		Rev. 2 <b>0</b>

This drawing is confidential and must not be reproduced or used without the consent of EXM

Ce dessin est confidentiel et ne doit pas être reproduit ou utilisé sans le consentement de EXM

No.	Revisions	Date	By/Par
0.1	Update to current style	21-Apr-21	HunterZ



 Tél: (450) 979-4373 Fax: (450) 979-4626 <a href="http://www.exmweb.com">www.exmweb.com</a>		Flatness Aplatissement Max 3.0mm Projection 
Customer Client	Date	
Drawn By Dessiné Par	BoxCad: HunterZ	Date 10-Feb-15
Material Matière	12 Ga Galvanized (2.5mm)	
Color Couleur	Unpainted	Finish Fini Unpainted
Description 6500 MXM 1800mm x 600mm Back Inner Panel		Detail Rev.
Part Number Numéro Pièce	Rev. 0	3

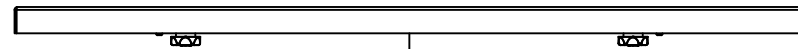
Qty	Part Number	Rev	Description
1	STK-A-49005	0	6500MXM - Bottom Inner Panel Support Kit (Right)
1	STK-A-49000	0	6500MXM - Bottom Inner Panel Support Kit (Left)
1	STK-A-49015	0	6500MXM - Top Inner Panel Support Kit (Right)
1	STK-A-49010	0	6500MXM - Top Inner Panel Support Kit (Left)
1	6500MXK180604BIP-P	0	6500 MXM 1800mm x 600mm Back Inner Panel Part
Parts List			

**6500MXK180604BIP**

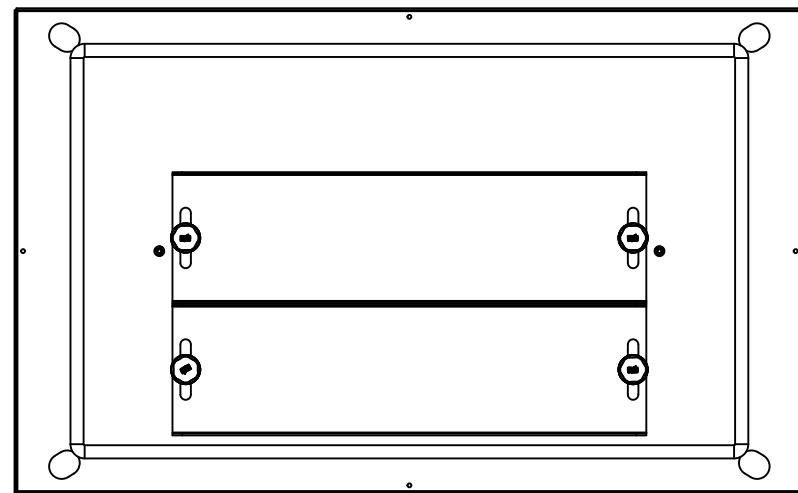


This drawing is confidential and must not be reproduced or used without the consent of EXM

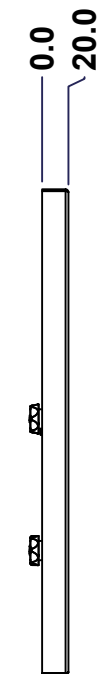
Ce dessin est confidentiel et ne doit pas être reproduit ou utilisé sans le consentement de EXM



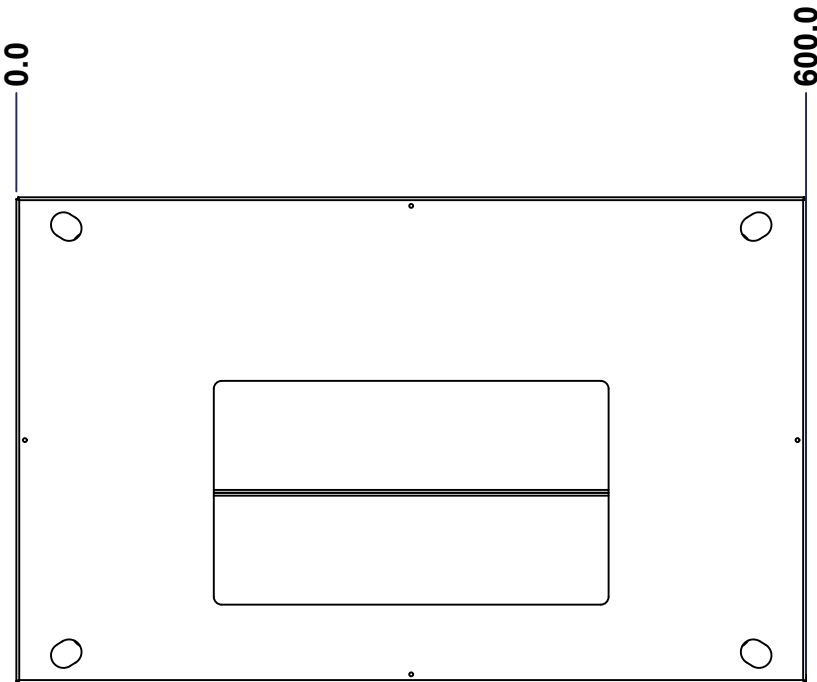
TOP



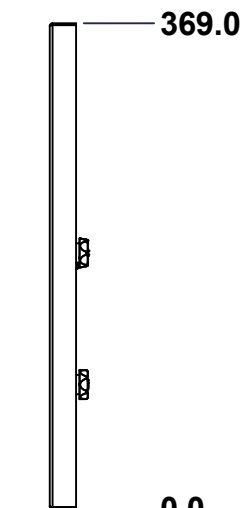
BACK



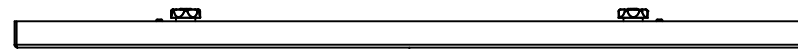
LEFT



FRONT

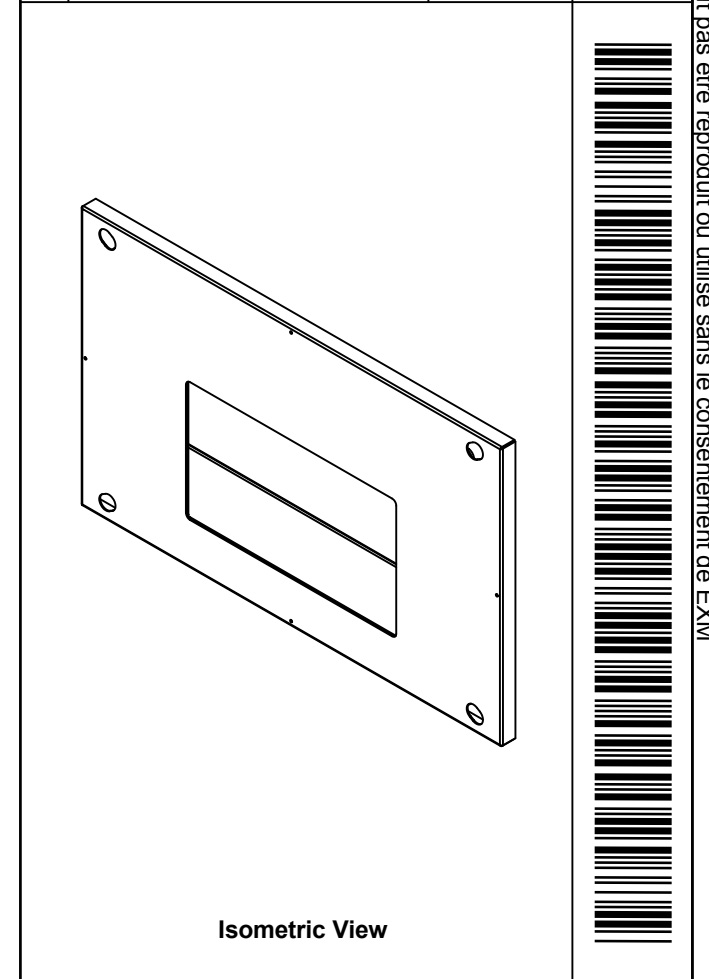


RIGHT


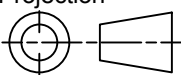


BOTTOM

No.	Revisions	Date	By/Par
0.1	Update to current style	21-Apr-21	HunterZ



Isometric View

 Tél: (450) 979-4373 Fax: (450) 979-4626 <a href="http://www.exmweb.com">www.exmweb.com</a>		Flatness Aplatissement Max 3.0mm Projection 
Customer Client	Date	
Drawn By Dessiné Par	BoxCad: HunterZ	Date 10-Feb-15
Material Matière	16 Ga Cold Rolled A1008 CS Type B	
Color Couleur	Iron Grey RAL7011	Finish Fini Rough Textured
Description	Detail Rev.	
6500 MXB 600mm x 400mm Bottom		
Part Number Numéro Pièce	Rev.	1
<b>6500MXK180604BT</b>	<b>0</b>	3

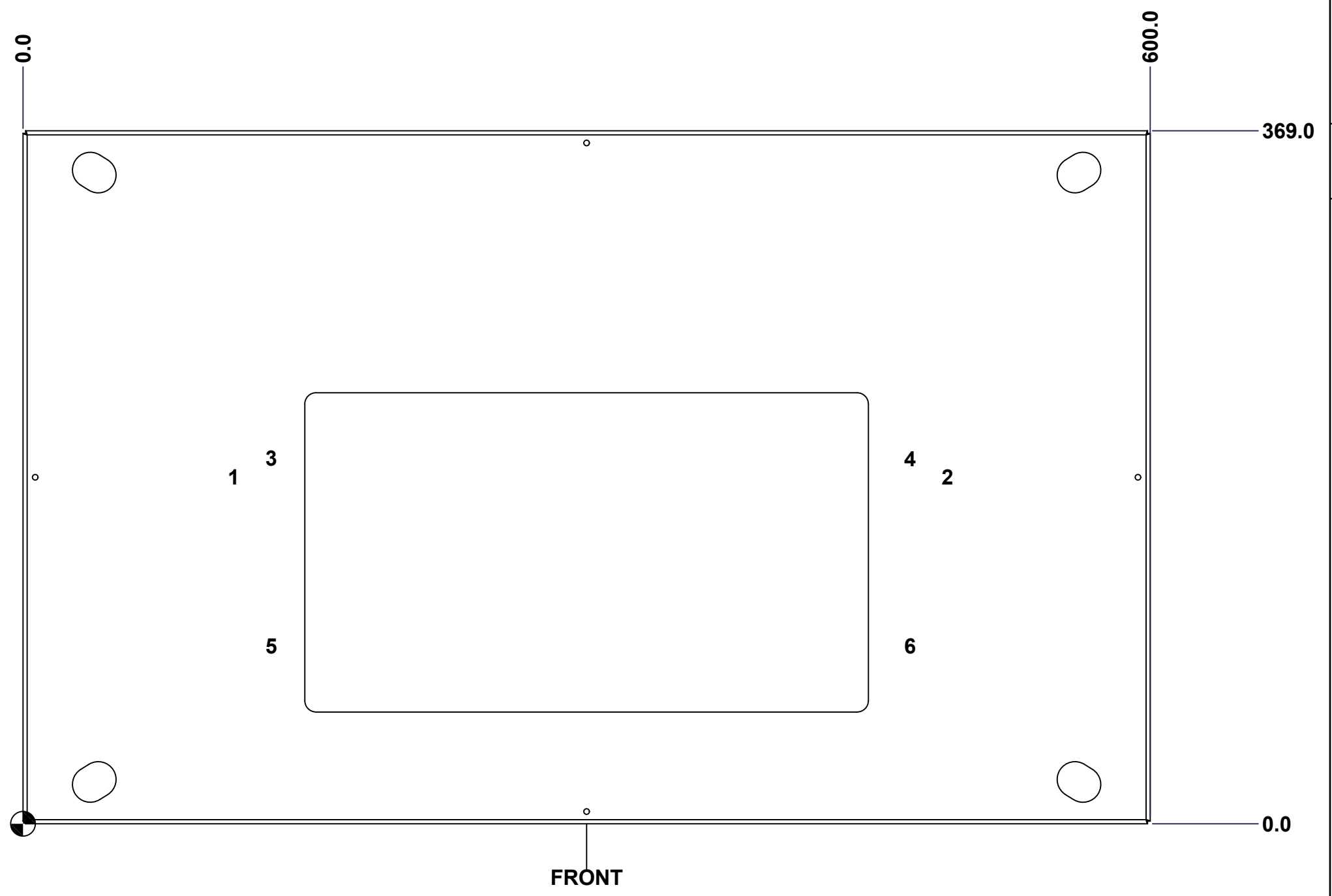
Use gasket program path 6500 MX > 6500 MXB

SEE BILL OF MATERIAL ON LAST PAGE

This drawing is confidential and must not be reproduced or used without the consent of EXM

Ce dessin est confidentiel et ne doit pas être reproduit ou utilisé sans le consentement de EXM

STANDARD FEATURES ARE NOT LISTED IN THIS HOLE TABLE			
HOLE TABLE - FRONT VIEW (CUSTOM FEATURE ONLY)			
CUT-OUT	XDIM	YDIM	DESCRIPTION
1	110.0	184.5	GND STUD M6 x 16mm (Inside)
2	490.0	184.5	GND STUD M6 x 16mm (Inside)
3	130.0	194.5	GP STUD M6 x 18mm (Inside)
4	470.0	194.5	GP STUD M6 x 18mm (Inside)
5	130.0	94.5	GP STUD M6 x 18mm (Inside)
6	470.0	94.5	GP STUD M6 x 18mm (Inside)



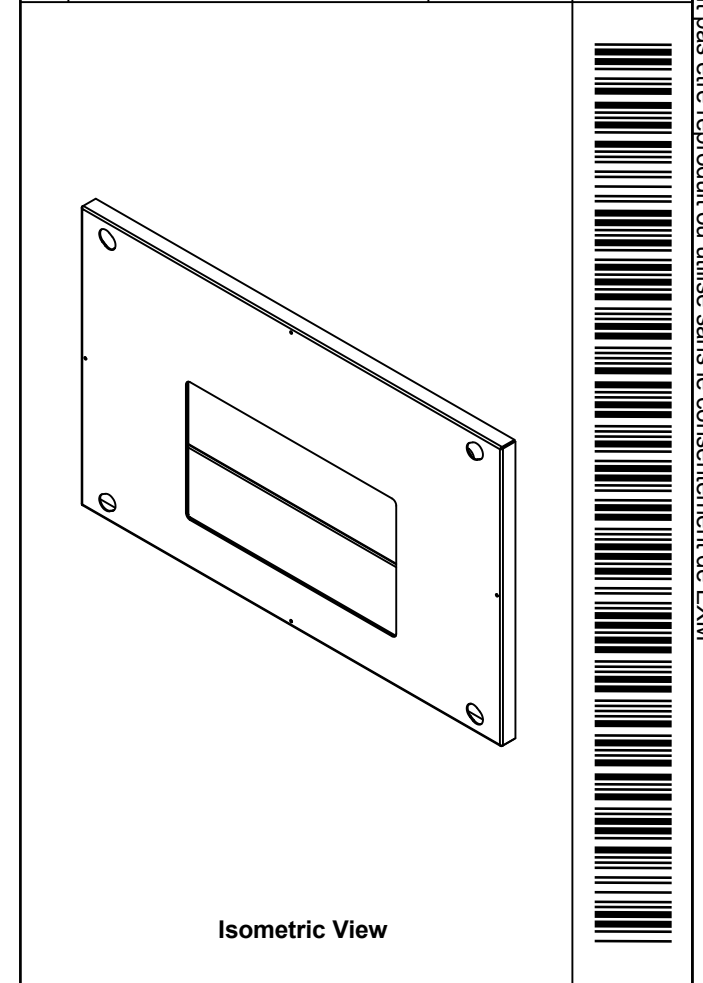
Use bending program path 6500 MX > 6500 MXB

	Description 6500 MXB 600mm x 400mm Bottom		Status (NULL)
	Part Number Numéro Pièce <b>6500MXK180604BT</b>		Rev. 2 <b>0</b> / 3

This drawing is confidential and must not be reproduced or used without the consent of EXM

Ce dessin est confidentiel et ne doit pas être reproduit ou utilisé sans le consentement de EXM

No.	Revisions	Date	By/Par
0.1	Update to current style	21-Apr-21	HunterZ



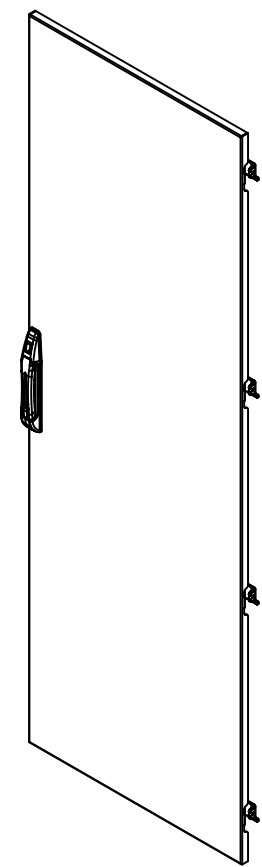
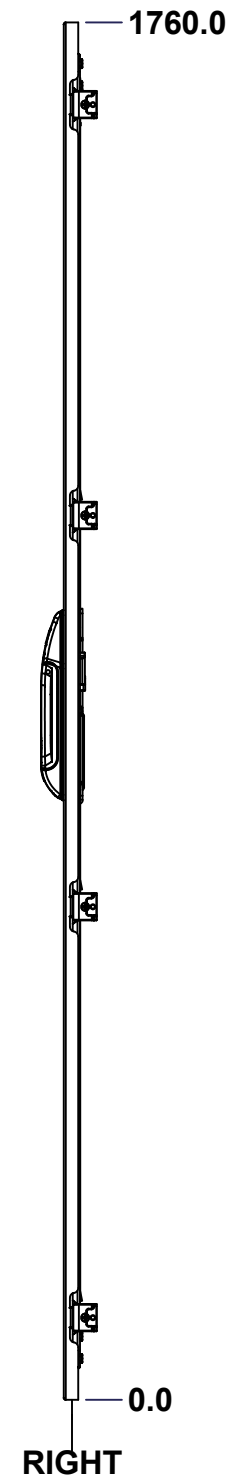
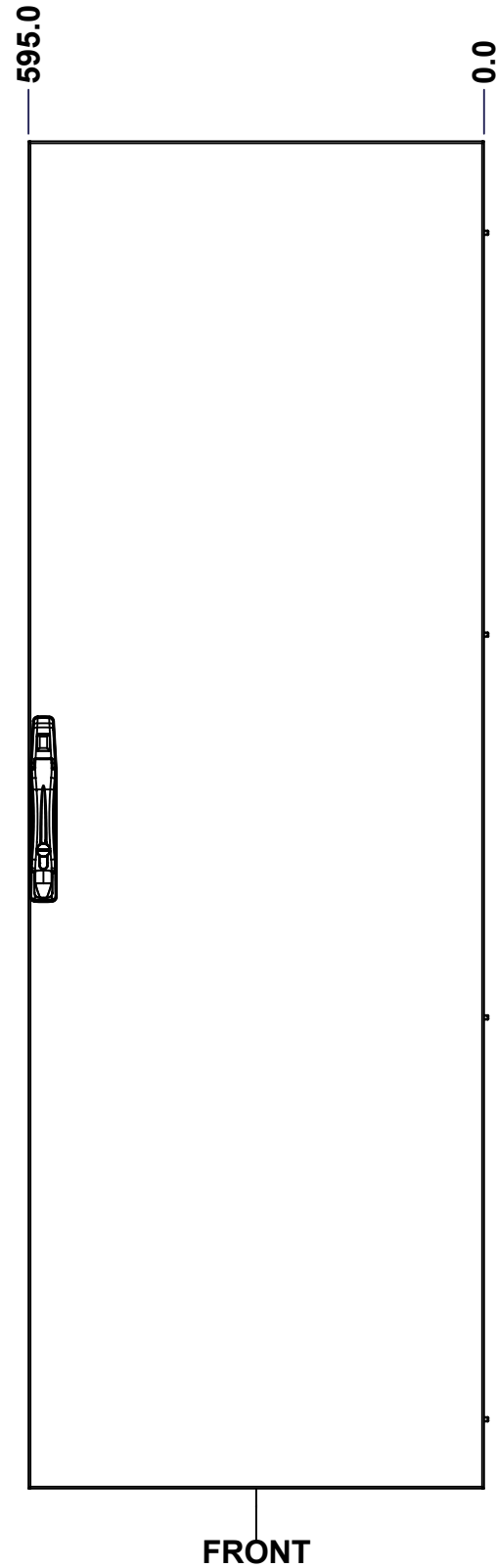
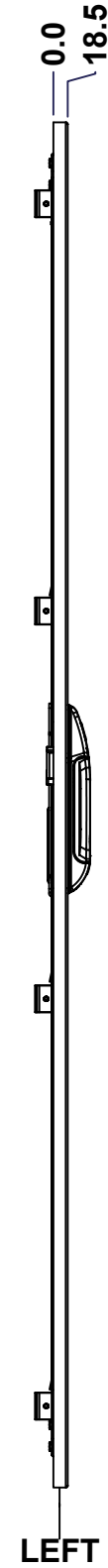
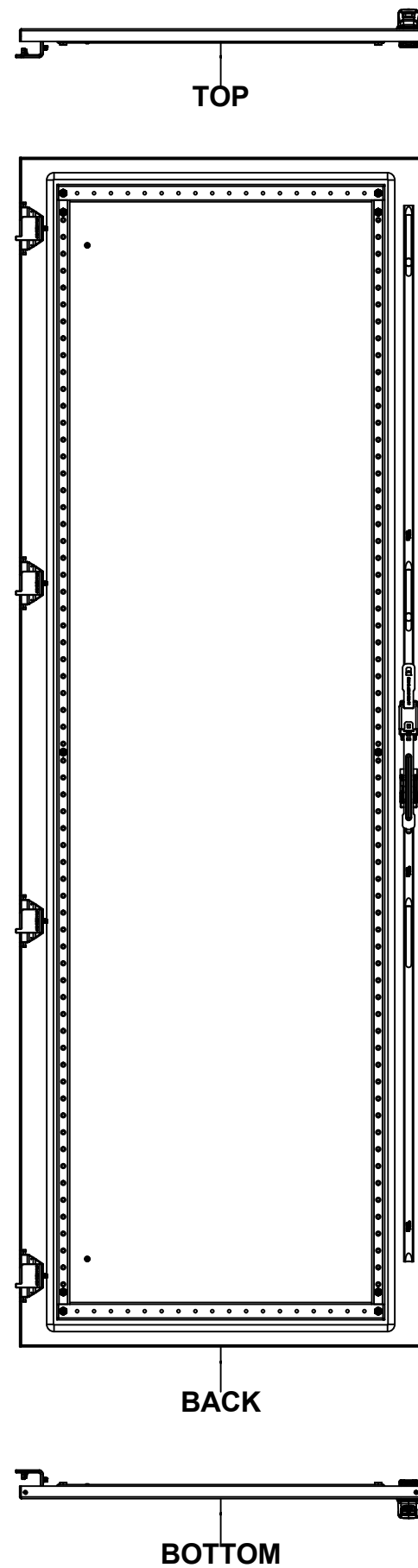
Tél: (450) 979-4373 Fax: (450) 979-4626 <a href="http://www.exmweb.com">www.exmweb.com</a>		Flatness Aplatissement
		Max 3.0mm
Customer Client		Date
Drawn By Dessiné Par		Date
Material Matière		Projection
Color Couleur		Finish Fini
Description		Detail Rev.
Part Number Numéro Pièce		Rev.

Qty	Part Number	Rev	Description
1	STK-P-03810R	0	Powder Paint (Iron Grey / Rough Textured)
4	STK-Q-06001	0	Mtrx - Gland Plate M6 Plastic Thumb Nut
6	STK-Q-16055	1	M6 x 18mm Stud (No Paint Cap Required)
2	6500MXK180604GP100-P	1	6500 MXB 600mm Gland Plate Part (100mm)
1	6500MXK180604BTGPG	1	6500 MXB 600mm x 400mm Bottom Gland Plate Gasket
1	6500MXK180604BTG	0	6500 MXB 600mm x 400mm Bottom Gasket
1	6500MXK180604BT-P	0	6500 MXB 600mm x 400mm Bottom Part
Parts List			

**6500MXK180604BT**

This drawing is confidential and must not be reproduced or used without the consent of EXM


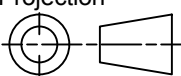
Ce dessin est confidentiel et ne doit pas être reproduit ou utilisé sans le consentement de EXM



Isometric View



No.	Revisions	Date	By/Par
0.1	Update to current style	21-Apr-21	HunterZ

 Tél: (450) 979-4373 Fax: (450) 979-4626 <a href="http://www.exmweb.com">www.exmweb.com</a>		Flatness Aplatissement Max 3.0mm Projection 
Customer Client	Date	
Drawn By Dessiné Par	BoxCad: HunterZ	Date 10-Feb-15
Material Matière	14 Ga Cold Rolled A1008 CS Type B	
Color Couleur	Light Grey RAL7035	Finish Fini Rough Textured
Description	Detail Rev.	
6500 MXD 1800mm x 600mm Front		
Part Number Numéro Pièce	Rev.	1
<b>6500MXK180604F</b>	<b>0</b>	3

Use gasket program path 6500 MX > 6500 MXD

SEE BILL OF MATERIAL ON LAST PAGE

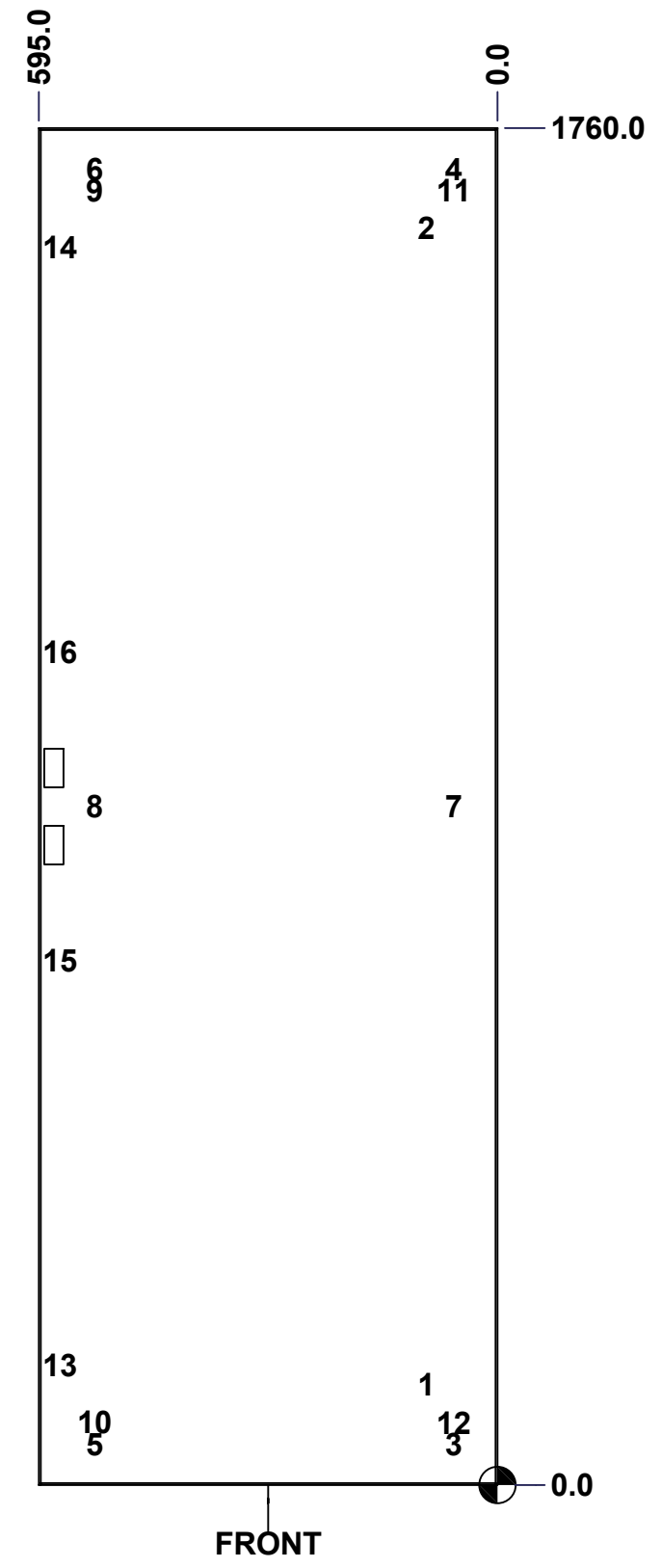
This drawing is confidential and must not be reproduced or used without the consent of EXM

Ce dessin est confidentiel et ne doit pas être reproduit ou utilisé sans le consentement de EXM

**STANDARD FEATURES ARE NOT LISTED IN THIS HOLE TABLE**

**HOLE TABLE - FRONT VIEW (CUSTOM FEATURE ONLY)**

CUT-OUT	XDIM	YDIM	DESCRIPTION
1	100.0	130.0	GND STUD M6 x 16mm (Inside)
2	100.0	1630.0	GND STUD M6 x 16mm (Inside)
3	64.5	52.8	STIFF. STUD M6 x 18mm (Inside)
4	64.5	1707.2	STIFF. STUD M6 x 18mm (Inside)
5	530.5	52.8	STIFF. STUD M6 x 18mm (Inside)
6	530.5	1707.2	STIFF. STUD M6 x 18mm (Inside)
7	64.5	880.0	STIFF. STUD M6 x 18mm (Inside)
8	530.5	880.0	STIFF. STUD M6 x 18mm (Inside)
9	530.5	1679.0	STIFF. STUD M6 x 18mm (Inside)
10	530.5	81.0	STIFF. STUD M6 x 18mm (Inside)
11	64.5	1679.0	STIFF. STUD M6 x 18mm (Inside)
12	64.5	81.0	STIFF. STUD M6 x 18mm (Inside)
13	575.5	155.0	CLOSING BAR GUIDE (Inside)
14	575.5	1605.0	CLOSING BAR GUIDE (Inside)
15	575.5	680.0	CLOSING BAR GUIDE (Inside)
16	575.5	1080.0	CLOSING BAR GUIDE (Inside)



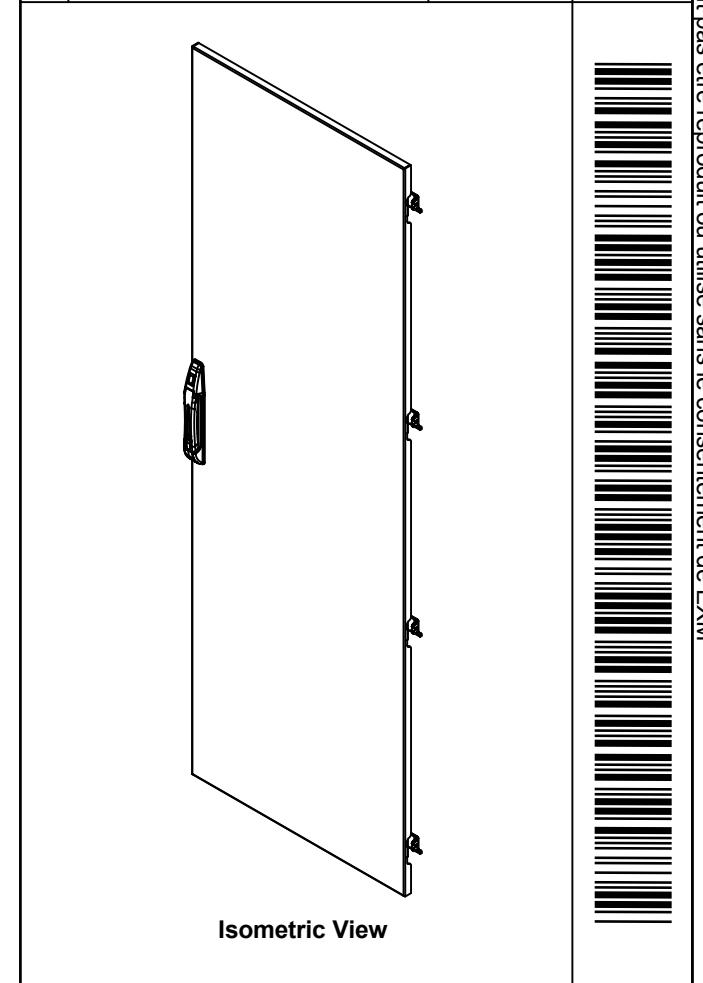
**Use bending program path 6500 MX > 6500 MXD**

	Description 6500 MXD 1800mm x 600mm Front		Status (NULL)
	Part Number Numéro Pièce <b>6500MXK180604F</b>		Rev. <b>0</b>
		2	3

This drawing is confidential and must not be reproduced or used without the consent of EXM

Ce dessin est confidentiel et ne doit pas être reproduit ou utilisé sans le consentement de EXM

No.	Revisions	Date	By/Par
0.1	Update to current style	21-Apr-21	HunterZ



**EXM**  
www.exmweb.com

Tél: (450) 979-4373  
Fax: (450) 979-4626

Flatness / Aplatissement: Max 3.0mm  
Projection:

Qty	Part Number	Rev	Description
1	STK-P-03820R	0	Powder Paint (Light Grey / Rough Textured)
1	STK-Q-45652-18	5	6500 MX - Lower Closing Bar 1800mm
1	STK-Q-45651-18	0	6500 MX - Upper Closing Bar 1800mm
4	STK-Q-16405	6	Guide Stud - Small (No Paint Cap Required)
4	STK-K-06810	7	6500 MX Hinge Assy
1	886PHD-S	11	Euroform Pull Handle Kit
12	STK-Q-16055	1	M6 x 18mm Stud (No Paint Cap Required)
1	6500MXK180604DS1	5	6500 MX 1800mm x 600mm Door Stiffener
1	6500MXK180604FG	0	6500 MXD 1800mm x 600mm Front Gasket
1	6500MXK180604F-P	0	6500 MXD 1800mm x 600mm Front Part
Parts List			

Customer / Client: \_\_\_\_\_ Date: \_\_\_\_\_

Drawn By / Dessiné Par: BoxCad: HunterZ Date: 10-Feb-15

Material / Matière: 14 Ga Cold Rolled A1008 CS Type B

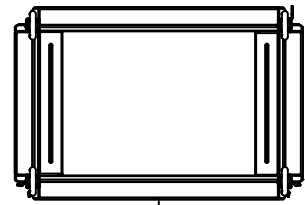
Color / Couleur: Light Grey RAL7035 Finish / Fini: Rough Textured

Description: 6500 MXD 1800mm x 600mm Front Detail Rev. \_\_\_\_\_

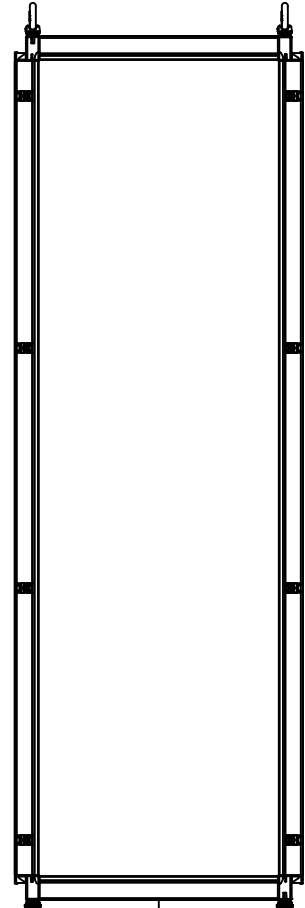
Part Number / Numéro Pièce: **6500MXK180604F** Rev. **0** / 3

This drawing is confidential and must not be reproduced or used without the consent of EXM

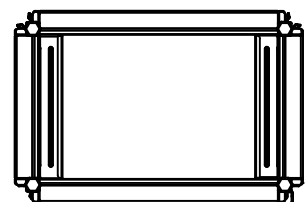
Ce dessin est confidentiel et ne doit pas être reproduit ou utilisé sans le consentement de EXM



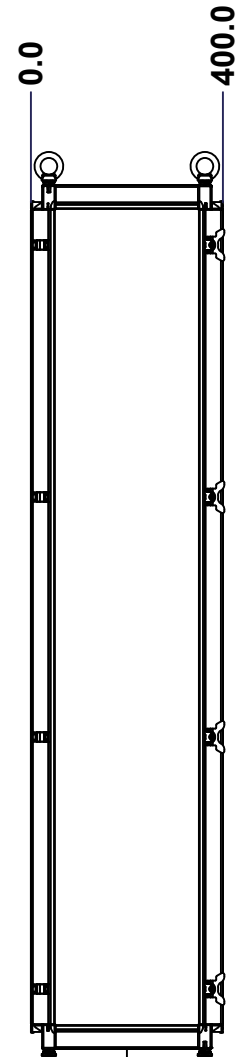
TOP



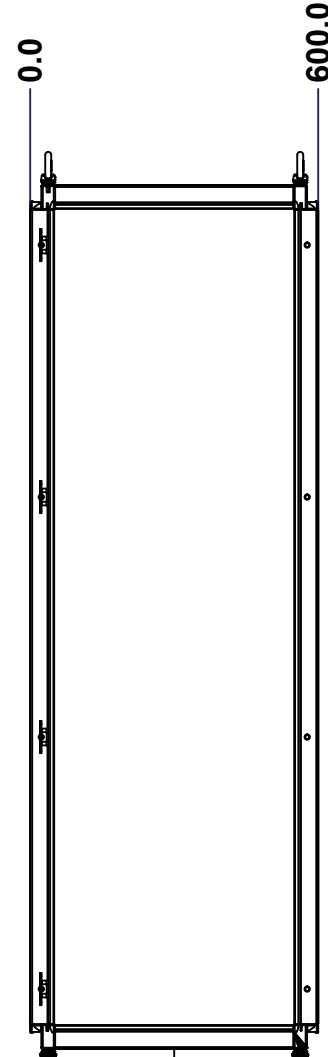
BACK



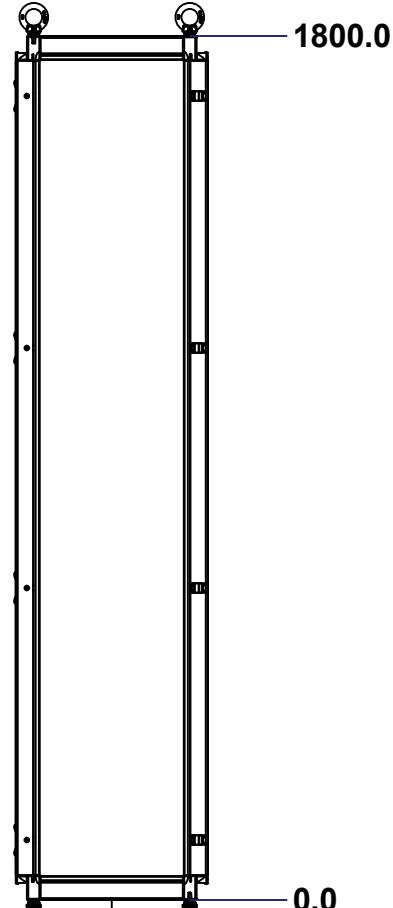
BOTTOM



LEFT



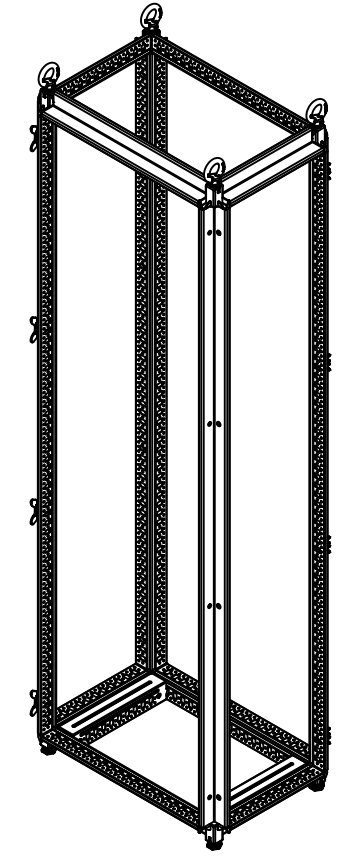
FRONT



RIGHT


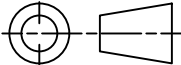
Grind excess weld off corner(s)

No.	Revisions	Date	By/Par
0.1	Update to current style	21-Apr-21	HunterZ



Isometric View



 Tél: (450) 979-4373 Fax: (450) 979-4626 <a href="http://www.exmweb.com">www.exmweb.com</a>		Flatness Aplatissement Max 3.0mm Projection 
Customer Client	Date	
Drawn By Dessiné Par	BoxCad: HunterZ	Date 10-Feb-15
Material Matière	16 Ga Electro-Galvanized (1.4mm)	
Color Couleur	Iron Grey RAL7011	Finish Fini Rough Textured
Description	Detail Rev.	
6500 MX 1800mm x 600mm x 400mm Frame		
Part Number Numéro Pièce	Rev.	1
<b>6500MXK180604FR</b>	<b>0</b>	2

SEE BILL OF MATERIAL ON LAST PAGE



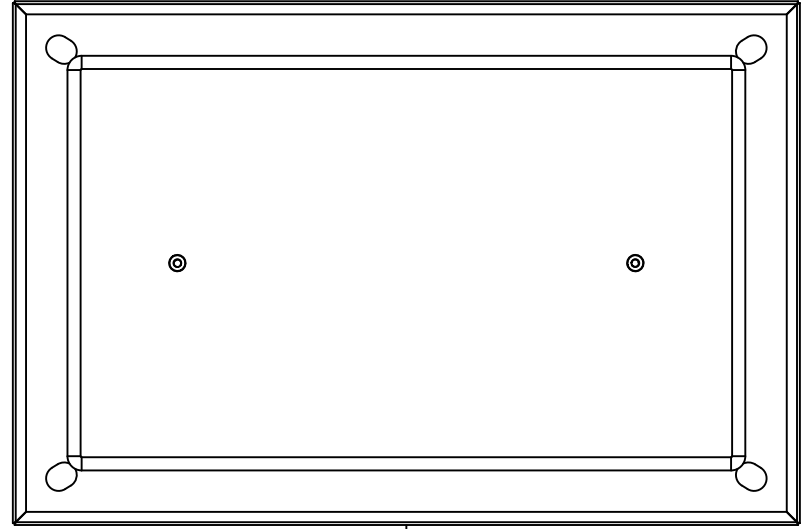


This drawing is confidential and must not be reproduced or used without the consent of EXM

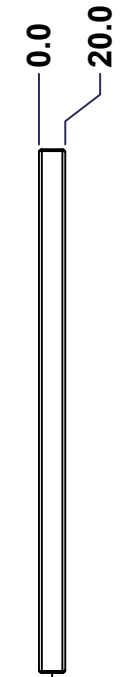
Ce dessin est confidentiel et ne doit pas être reproduit ou utilisé sans le consentement de EXM



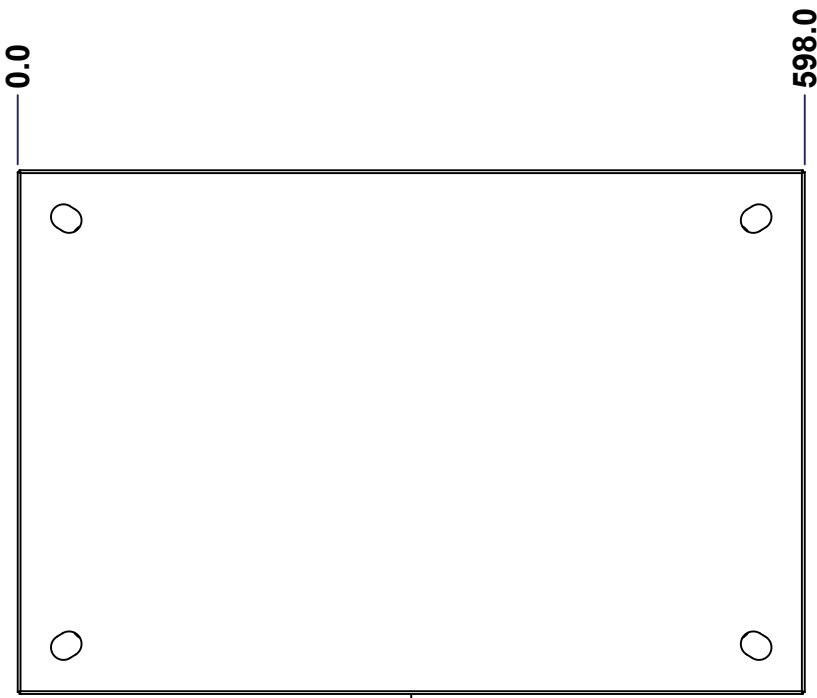
TOP



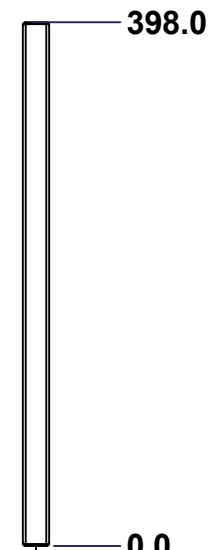
BACK



LEFT

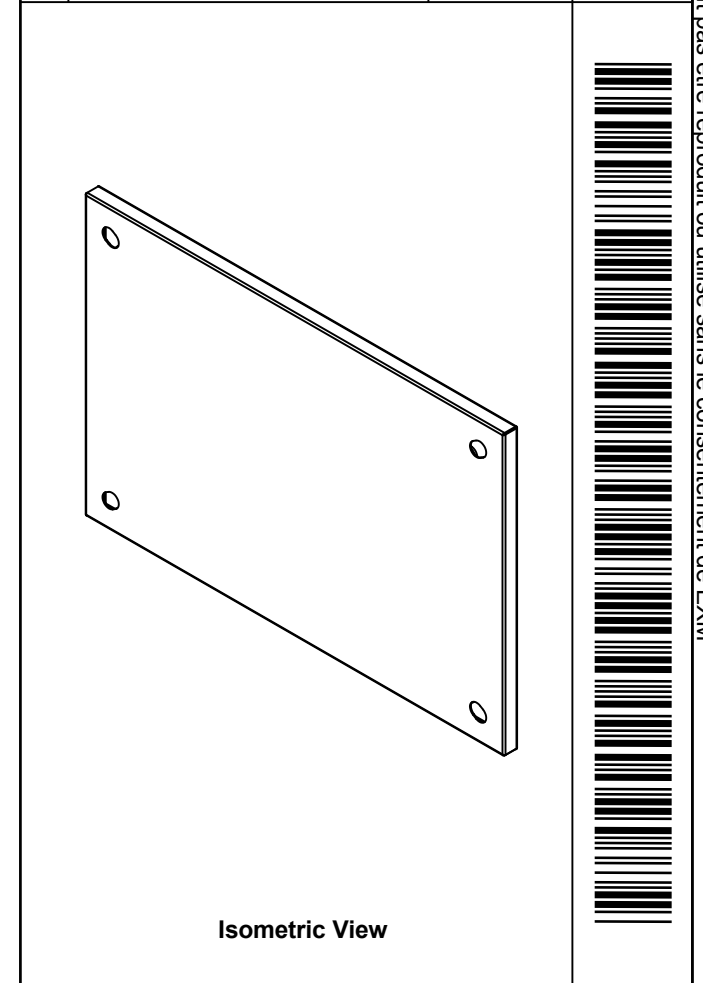


FRONT


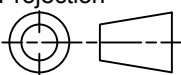


RIGHT

No.	Revisions	Date	By/Par
0.1	Update to current style	21-Apr-21	HunterZ



BOTTOM

 Tél: (450) 979-4373 Fax: (450) 979-4626 <a href="http://www.exmweb.com">www.exmweb.com</a>		Flatness Aplatissement Max 3.0mm Projection 
Customer Client	Date	
Drawn By Dessiné Par	BoxCad: HunterZ	Date 10-Feb-15
Material Matière	16 Ga Cold Rolled A1008 CS Type B	
Color Couleur	Iron Grey RAL7011	Finish Fini Rough Textured
Description	Detail Rev.	
6500 MXT 600mm x 400mm Top		
Part Number Numéro Pièce	Rev.	1
<b>6500MXK180604T</b>	<b>0</b>	3

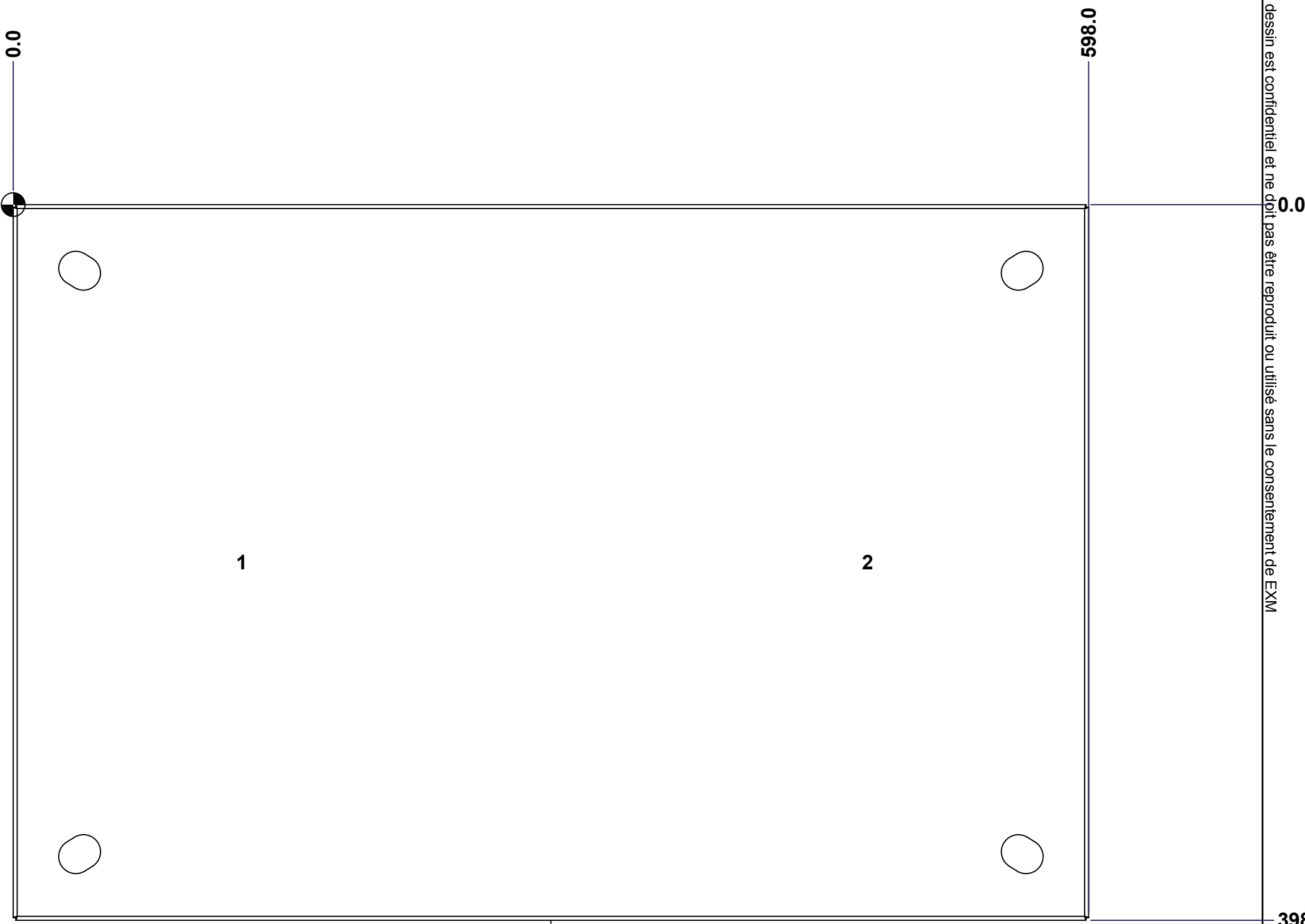
Use gasket program path 6500 MX > 6500 MXT

SEE BILL OF MATERIAL ON LAST PAGE

This drawing is confidential and must not be reproduced or used without the consent of EXM

Ce dessin est confidentiel et ne doit pas être reproduit ou utilisé sans le consentement de EXM

STANDARD FEATURES ARE NOT LISTED IN THIS HOLE TABLE			
HOLE TABLE - FRONT VIEW (CUSTOM FEATURE ONLY)			
CUT-OUT	XDIM	YDIM	DESCRIPTION
1	125.0	199.0	GND STUD M6 x 16mm (Inside)
2	473.0	199.0	GND STUD M6 x 16mm (Inside)



FRONT

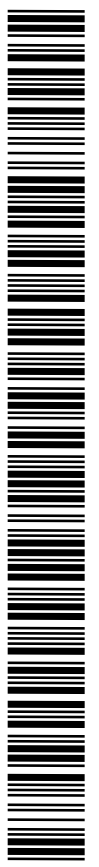
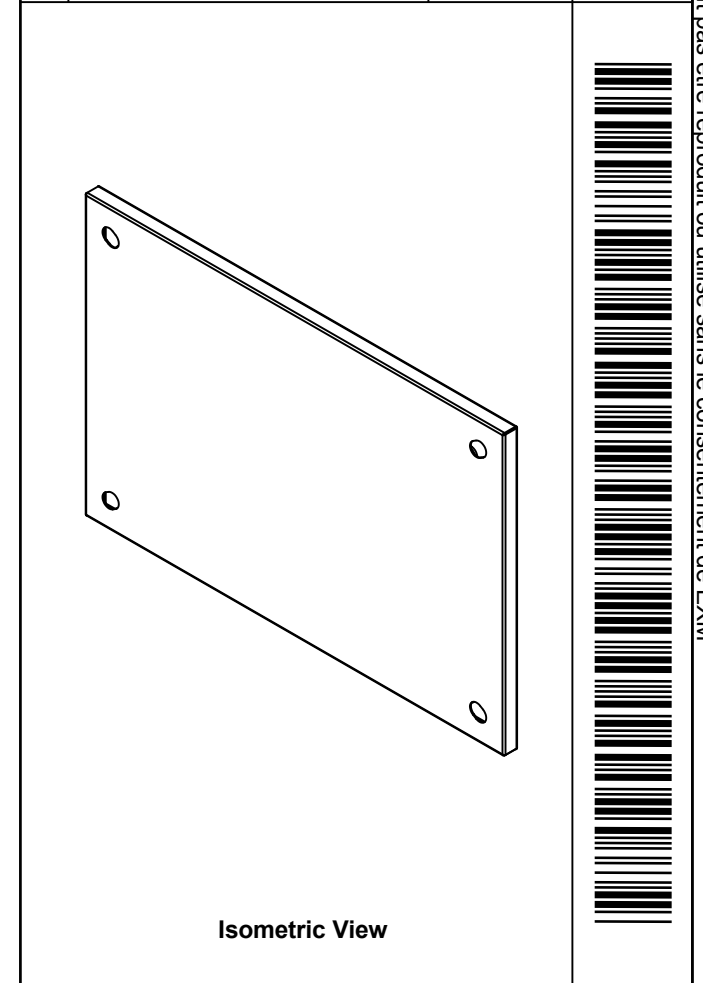
Use bending program path 6500 MX > 6500 MXT


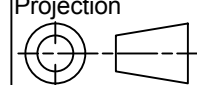
	Description		Status
	6500 MXT 600mm x 400mm Top		(NULL)
Part Number Numéro Pièce		Rev.	
6500MXK180604T		0	2 3

This drawing is confidential and must not be reproduced or used without the consent of EXM

Ce dessin est confidentiel et ne doit pas être reproduit ou utilisé sans le consentement de EXM

No.	Revisions	Date	By/Par
0.1	Update to current style	21-Apr-21	HunterZ



 Tél: (450) 979-4373 Fax: (450) 979-4626 <a href="http://www.exmweb.com">www.exmweb.com</a>		Flatness Aplatissement Max 3.0mm Projection 
Customer Client	Date	
Drawn By / Dessiné Par: BoxCad: HunterZ	Date: 10-Feb-15	
Material / Matière: 16 Ga Cold Rolled A1008 CS Type B		
Color / Couleur: Iron Grey RAL7011	Finish / Fini: Rough Textured	
Description: 6500 MXT 600mm x 400mm Top		Detail Rev.
Part Number / Numéro Pièce: <b>6500MXK180604T</b>		Rev. 3
		<b>0</b> / 3

Qty	Part Number	Rev	Description
1	STK-P-03810R	0	Powder Paint (Iron Grey / Rough Textured)
2	STK-Q-16080	0	Ground Stud M6 x 16mm
1	6500MXK180604TG	0	6500 MXT 600mm x 400mm Top Gasket
1	6500MXK180604T-P	0	6500 MXT 600mm x 400mm Top Part
Parts List			