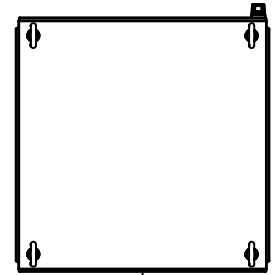
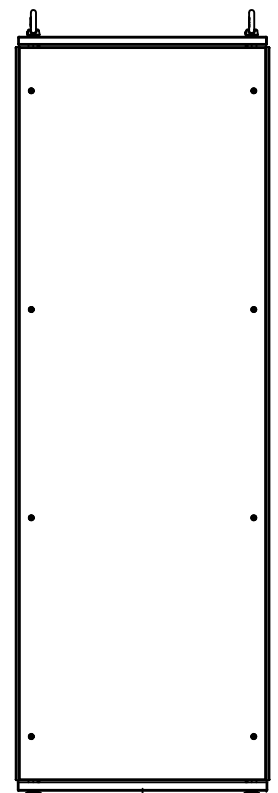


This drawing is confidential and must not be reproduced or used without the consent of EXM

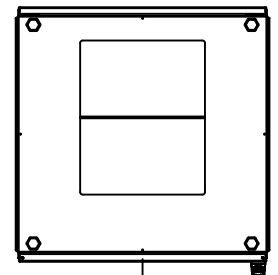
Ce dessin est confidentiel et ne doit pas être reproduit ou utilisé sans le consentement de EXM



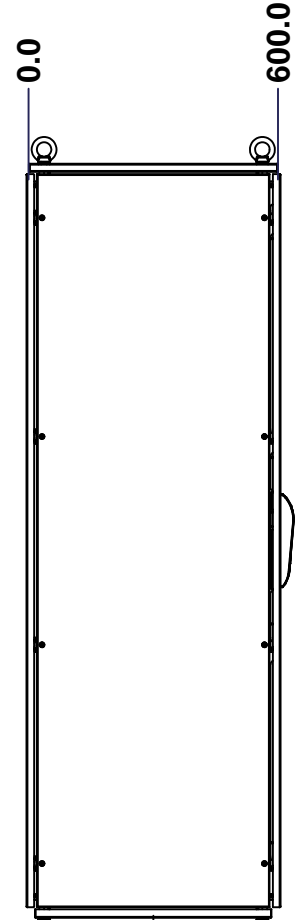
TOP



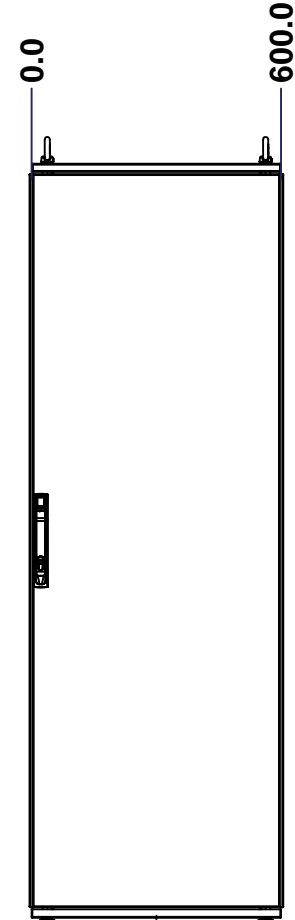
BACK



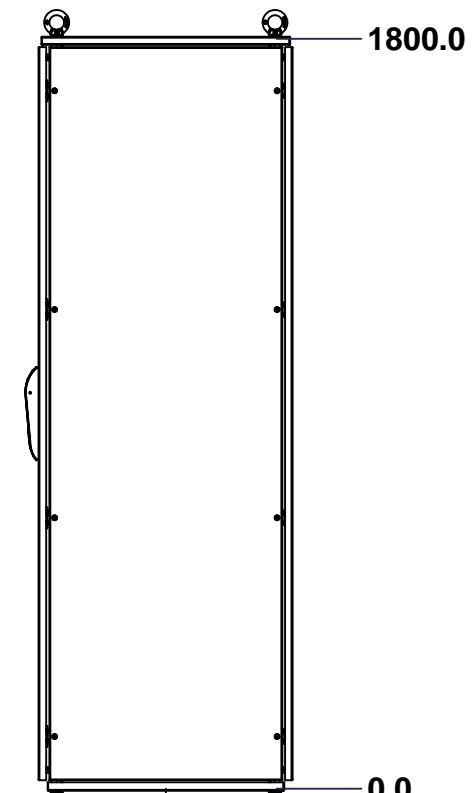
BOTTOM



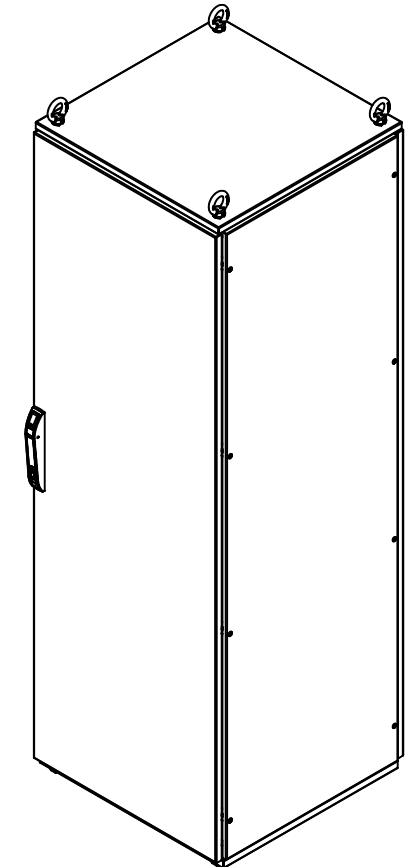
LEFT



FRONT




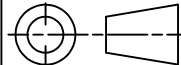
RIGHT



Isometric View



No.	Revisions	Date	By/Par

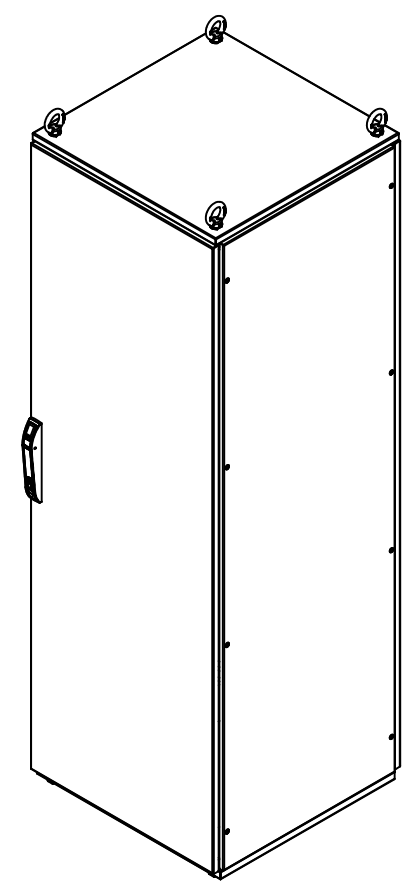
 Tél: (450) 979-4373 Fax: (450) 979-4626 www.exmweb.com		Flatness Aplatissement Max 3.0mm Projection 
Customer Client	Date	Date
Drawn By Dessiné Par	BoxCad: Annie	Date 10/02/2015
Material Matière	See Part List	
Color Couleur	See Part List	Finish Fini See Part List
Description	Detail Rev.	
6500MX 1800mm x 600mm x 600mm Assembly		
Part Number Numéro Pièce	Rev.	
6500MXK180606	0	1 2

SEE BILL OF MATERIAL ON LAST PAGE

This drawing is confidential and must not be reproduced or used without the consent of EXM

Ce dessin est confidentiel et ne doit pas être reproduit ou utilisé sans le consentement de EXM

No.	Revisions	Date	By/Par



Isometric View



Tél: (450) 979-4373
 Fax: (450) 979-4626
www.exmweb.com

Flatness
Aplatissement
Max 3.0mm
Projection

Customer Client
 Drawn By Dessiné Par BoxCad: Annie
 Date 10/02/2015

Material Matière See Part List

Color Couleur See Part List
 Finish Fini See Part List

Description 6500MX 1800mm x 600mm x 600mm Assembly
 Detail Rev.

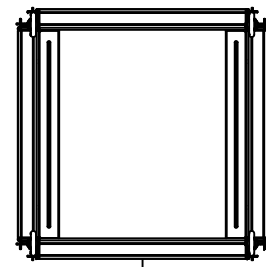
Part Number Numéro Pièce **6500MXK180606**
 Rev. 0

1	6500MXK180606BIP	0	6500 MXM 1800mm x 600mm Back Inner Panel
1	6500MXK180606R	0	6500 MXC 1800mm x 600mm Right
1	6500MXK180606L	0	6500 MXC 1800mm x 600mm Left
1	6500MXK180606F	0	6500 MXD 1800mm x 600mm Front
1	6500MXK180606B	0	6500 MXR 1800mm x 600mm Back
1	6500MXK180606BT	0	6500 MXB 600mm x 600mm Bottom
1	6500MXK180606T	0	6500 MXT 600mm x 600mm Top
1	6500MXK180606FR	0	6500 MX 1800mm x 600mm x 600mm Frame
Qty	Part Number	Rev	Description
Parts List			

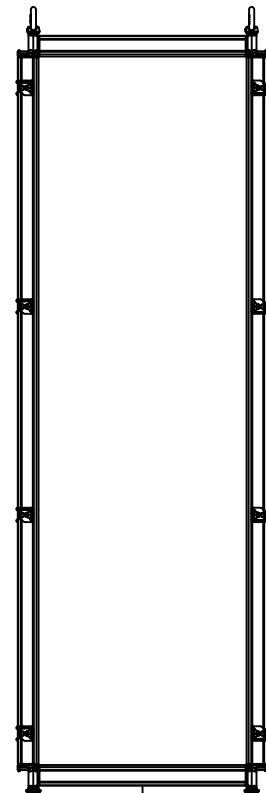
2
2

This drawing is confidential and must not be reproduced or used without the consent of EXM

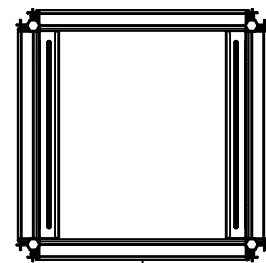
Ce dessin est confidentiel et ne doit pas être reproduit ou utilisé sans le consentement de EXM



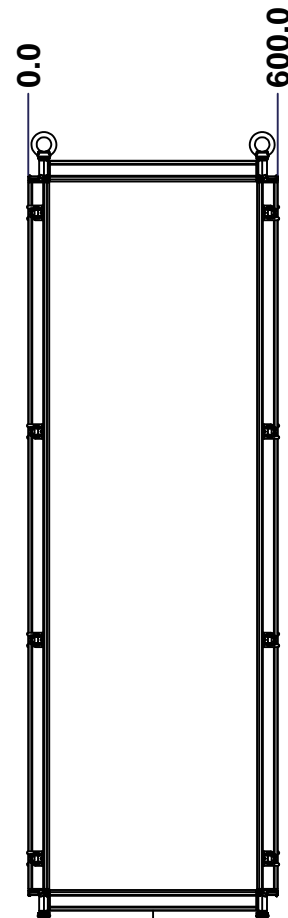
TOP



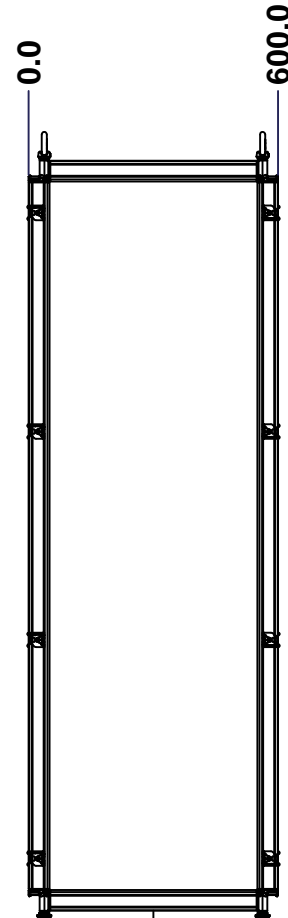
BACK



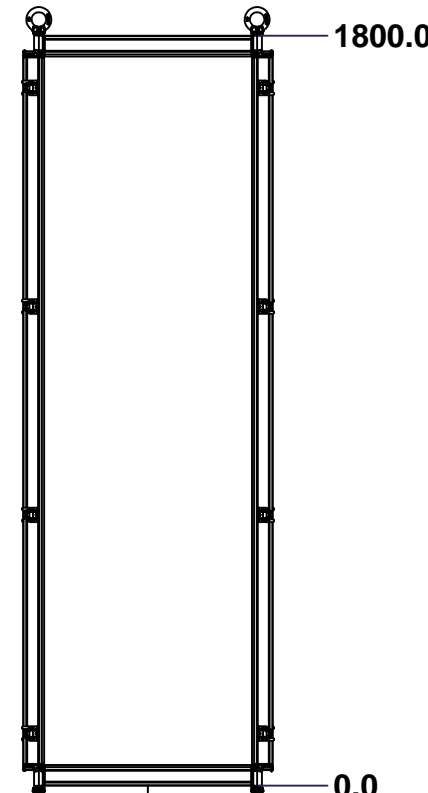
BOTTOM



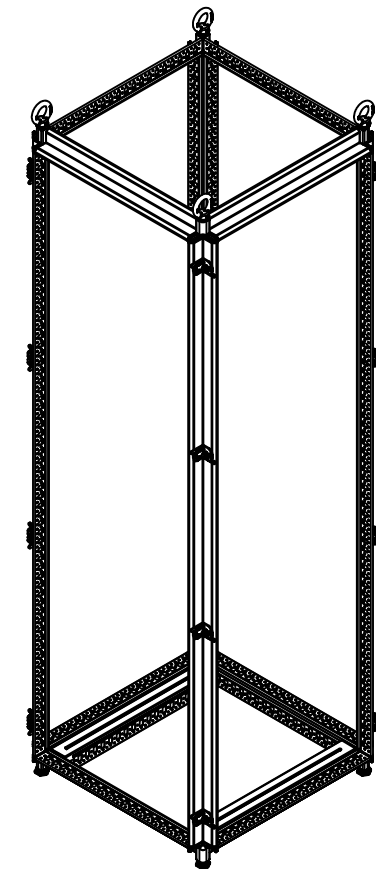
LEFT



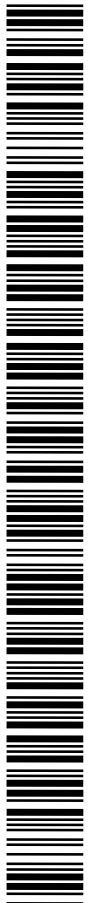
FRONT




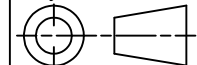
RIGHT



Isometric View



No.	Revisions	Date	By/Par

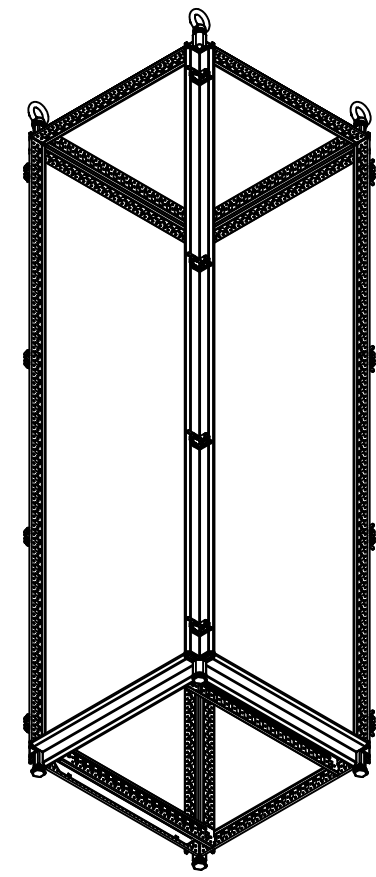
 Tél: (450) 979-4373 Fax: (450) 979-4626 www.exmweb.com		Flatness Aplatissement Max 3.0mm Projection 
Customer Client	Date	
Drawn By Dessiné Par	BoxCad: Annie	Date 10/02/2015
Material Matière	16 Ga Electro-Galvanized (1.4mm)	
Color Couleur	Iron Grey RAL7011	Finish Fin Rough Textured
Description	Detail Rev.	
6500 MX 1800mm x 600mm x 600mm Frame		
Part Number Numéro Pièce	Rev.	1 2
6500MXK180606FR	0	

SEE BILL OF MATERIAL ON LAST PAGE

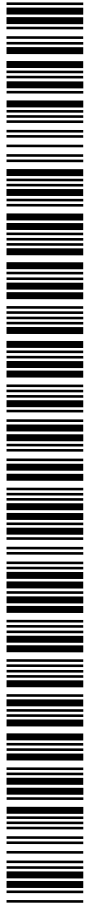
This drawing is confidential and must not be reproduced or used without the consent of EXM

Ce dessin est confidentiel et ne doit pas être reproduit ou utilisé sans le consentement de EXM

No.	Revisions	Date	By/Par



Isometric View




 Tél: (450) 979-4373
 Fax: (450) 979-4626
www.exmweb.com

Flatness / Aplatissement: Max 3.0mm
 Projection: 

1	STK-P-03810R	0	Powder Paint (Iron Grey / Rough Textured)
1	STK-Q-49060	3	6500 MXM Inner Panel Slider 600mm
1	STK-Q-49060-L	3	6500 MXM Inner Panel Slider 600mm
4	STK-Q-49500	3	M12 Eye Bolt (0.34T)
4	STK-Q-61110	0	M12 Feet Leveler
8	STK-Q-00610	1	M18 x 30.5mm Bolt - Cover
4	STK-Q-47251-18	3	6500 MX 1800mm Vertical Frame Post Part
8	STK-Q-49445	2	6500 MX - Frame Corner Bracket Casting
16	STK-K-11001	2	3 Way Fixed Bracket Kit
8	STK-Q-47250-06	3	6500 MX 600mm Horizontal Frame Post Part
Qty	Part Number	Rev	Description
Parts List			

Customer / Client:
 Date:
 Drawn By / Dessiné Par: BoxCad: Annie
 Date: 10/02/2015

Material / Matière: 16 Ga Electro-Galvanized (1.4mm)

Color / Couleur: Iron Grey RAL7011
 Finish / Fini: Rough Textured

Description: 6500 MX 1800mm x 600mm x 600mm Frame
 Detail Rev.

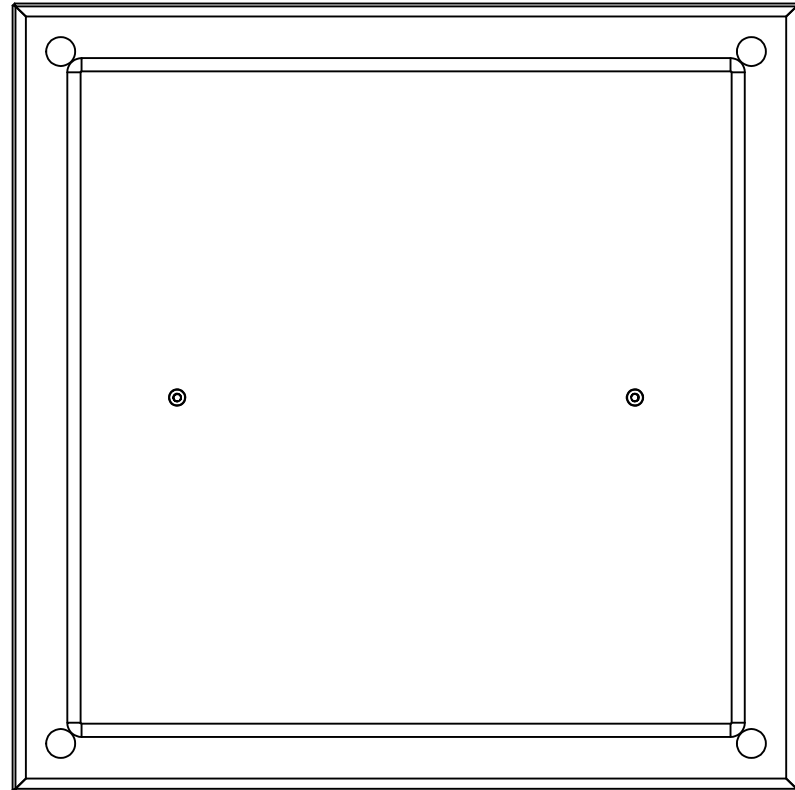
Part Number / Numéro Pièce: **6500MXK180606FR**
 Rev. **0** / 2

This drawing is confidential and must not be reproduced or used without the consent of EXM

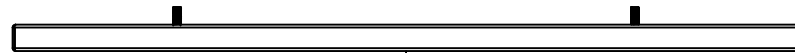
Ce dessin est confidentiel et ne doit pas être reproduit ou utilisé sans le consentement de EXM



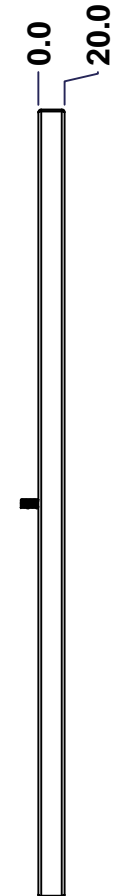
TOP



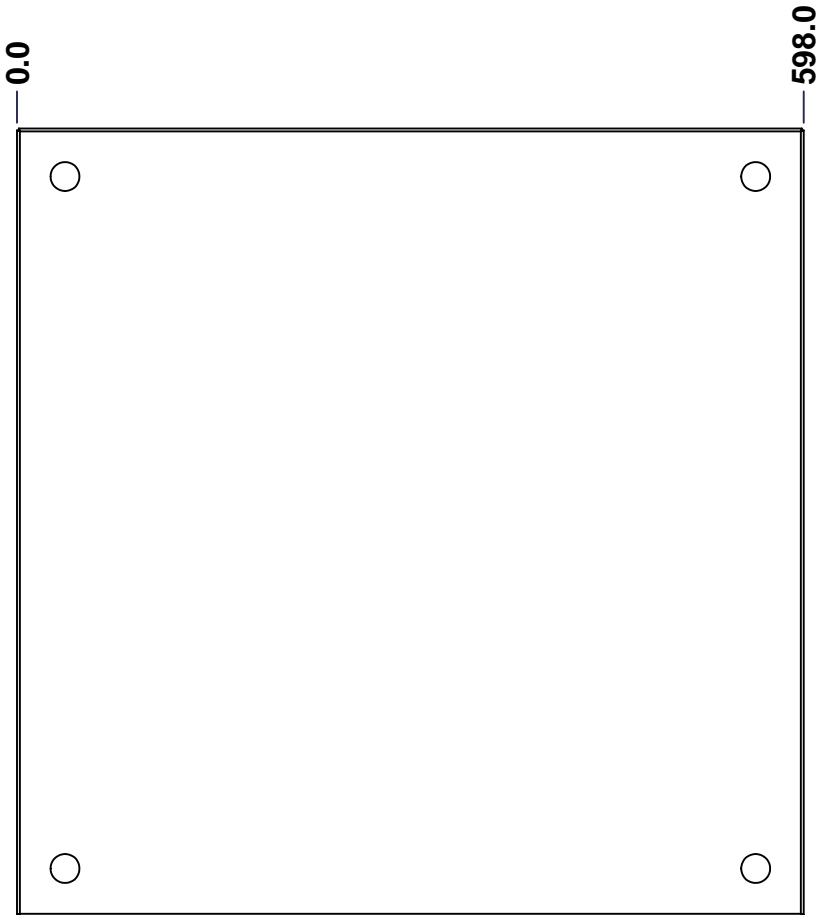
BACK



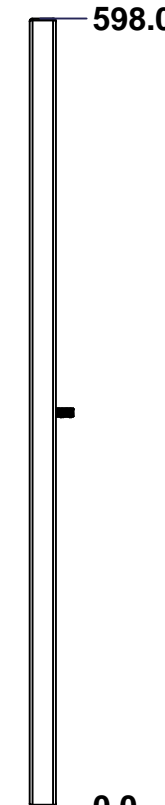
BOTTOM



LEFT

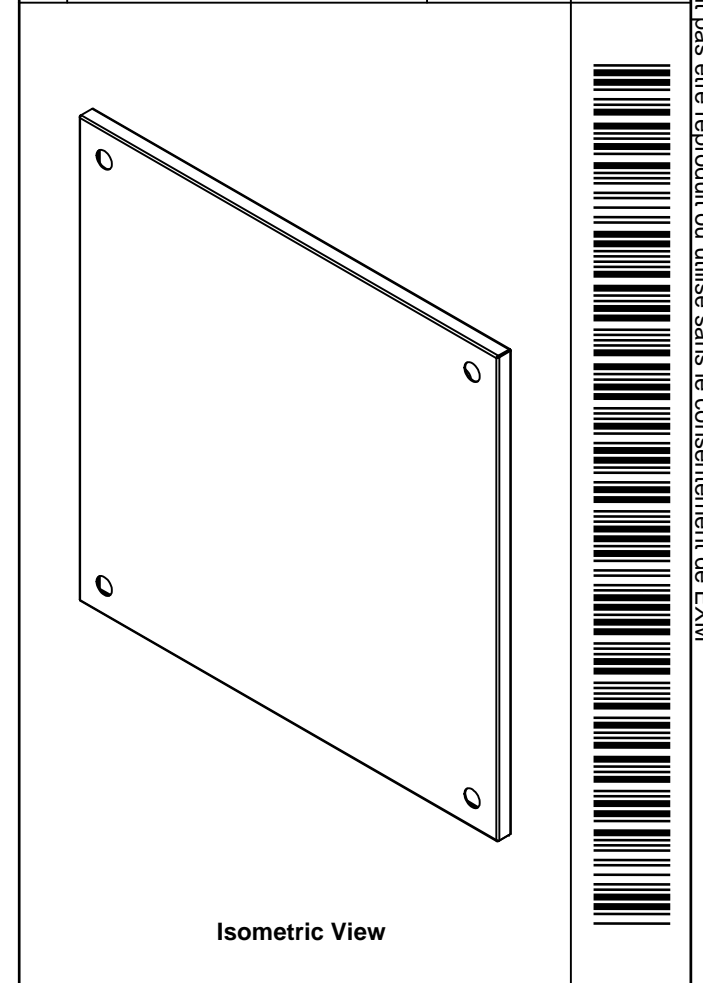


FRONT




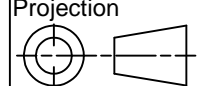
RIGHT

No.	Revisions	Date	By/Par



Isometric View



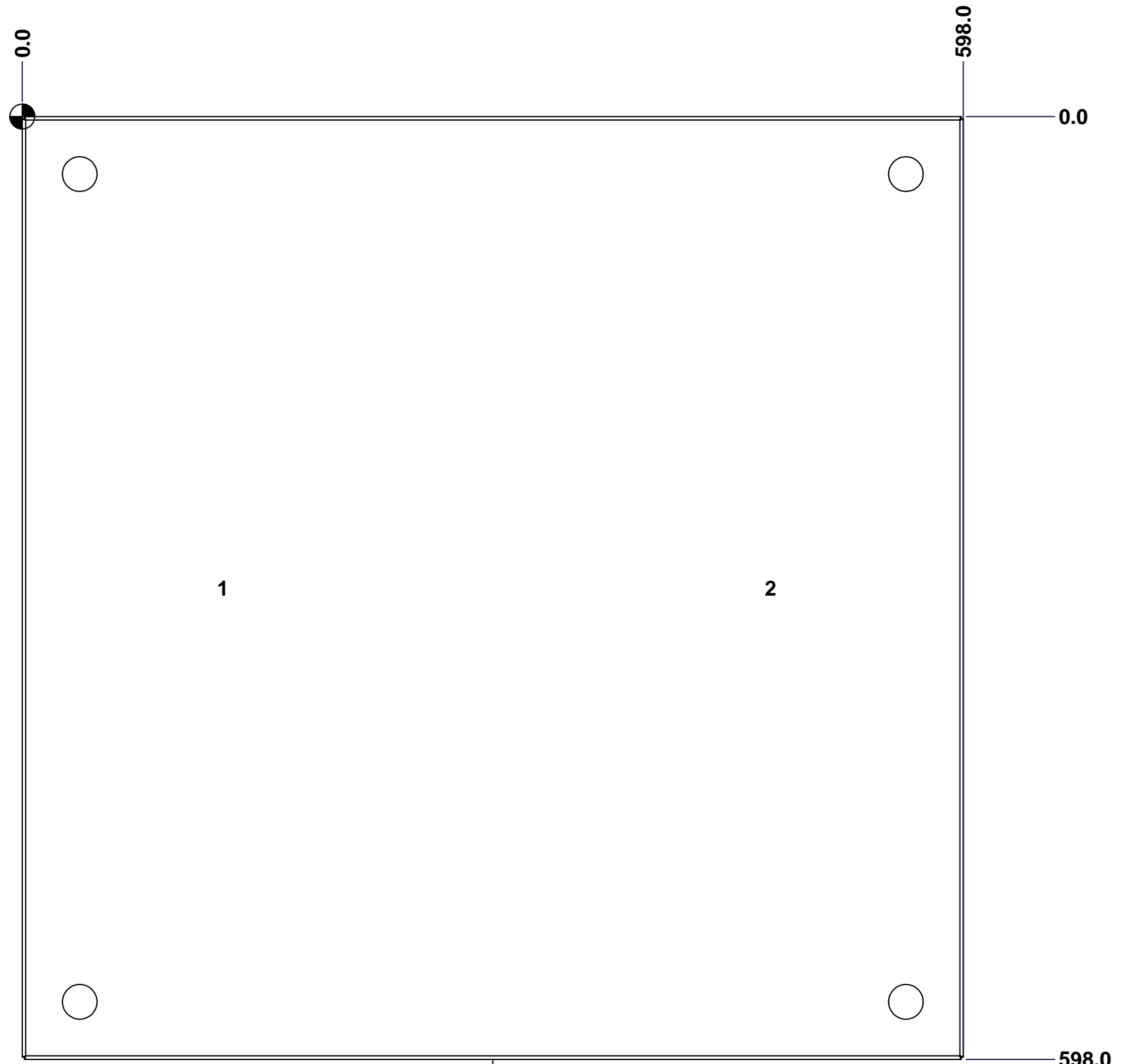
 Tél: (450) 979-4373 Fax: (450) 979-4626 www.exmweb.com		Flatness Aplatissement Max 3.0mm Projection 	
Customer Client		Date	
Drawn By / Dessiné Par: BoxCad: Annie		Date: 10/02/2015	
Material / Matière: 16 Ga H.R.P. & O. (1.4mm)			
Color / Couleur: Iron Grey RAL7011		Finish / Fini: Rough Textured	
Description: 6500 MXT 600mm x 600mm Top			Detail Rev.
Part Number / Numéro Pièce: 6500MXK180606T		Rev. 0	1 / 3

SEE BILL OF MATERIAL ON LAST PAGE

This drawing is confidential and must not be reproduced or used without the consent of EXM

Ce dessin est confidentiel et ne doit pas être reproduit ou utilisé sans le consentement de EXM

STANDARD FEATURES ARE NOT LISTED IN THIS HOLE TABLE			
HOLE TABLE - FRONT VIEW (CUSTOM FEATURE ONLY)			
CUT-OUT	XDIM	YDIM	DESCRIPTION
1	125.0	299.0	GND STUD M6 x 16mm (Inside)
2	473.0	299.0	GND STUD M6 x 16mm (Inside)



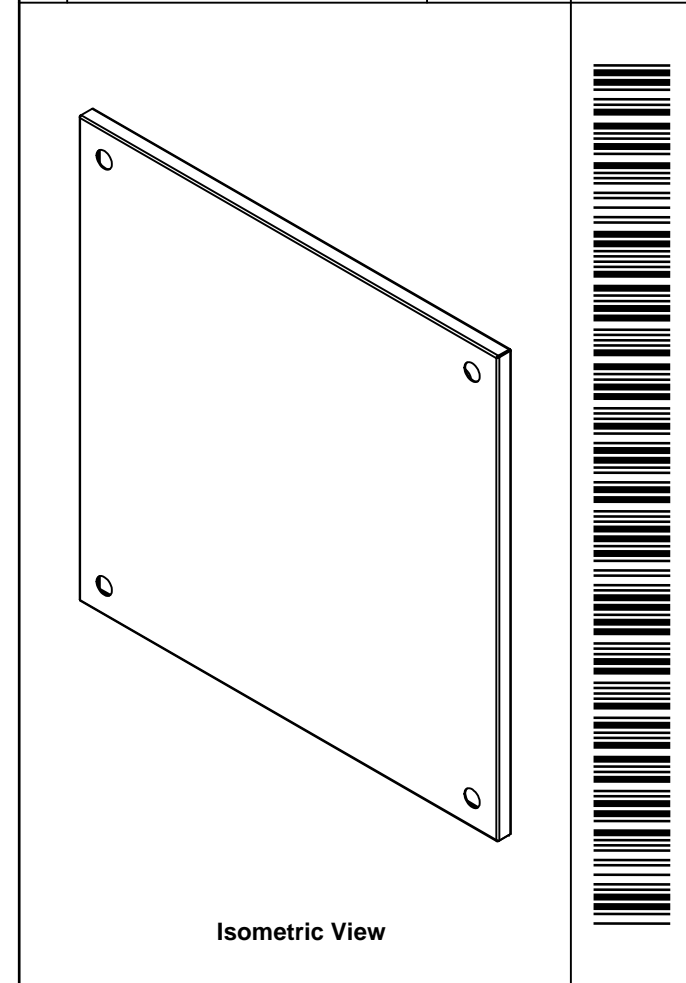
FRONT


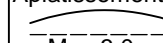
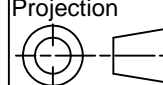
	Description	Status	
	6500 MXT 600mm x 600mm Top	(NULL)	
	Part Number Numéro Pièce	Rev.	
	6500MXK180606T	0	2 3

This drawing is confidential and must not be reproduced or used without the consent of EXM

Ce dessin est confidentiel et ne doit pas être reproduit ou utilisé sans le consentement de EXM

No.	Revisions	Date	By/Par

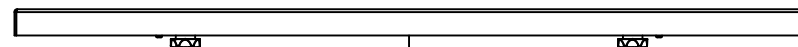


 Tél: (450) 979-4373 Fax: (450) 979-4626 www.exmweb.com		Flatness Aplatissement  Max 3.0mm Projection 
Customer Client	Date	
Drawn By Dessiné Par	BoxCad: Annie	Date 10/02/2015
Material Matière	16 Ga H.R.P. & O. (1.4mm)	
Color Couleur	Iron Grey RAL7011	Finish Fini Rough Textured
Description		Detail Rev.
6500 MXT 600mm x 600mm Top		
Part Number Numéro Pièce	Rev.	3
6500MXK180606T	0	3

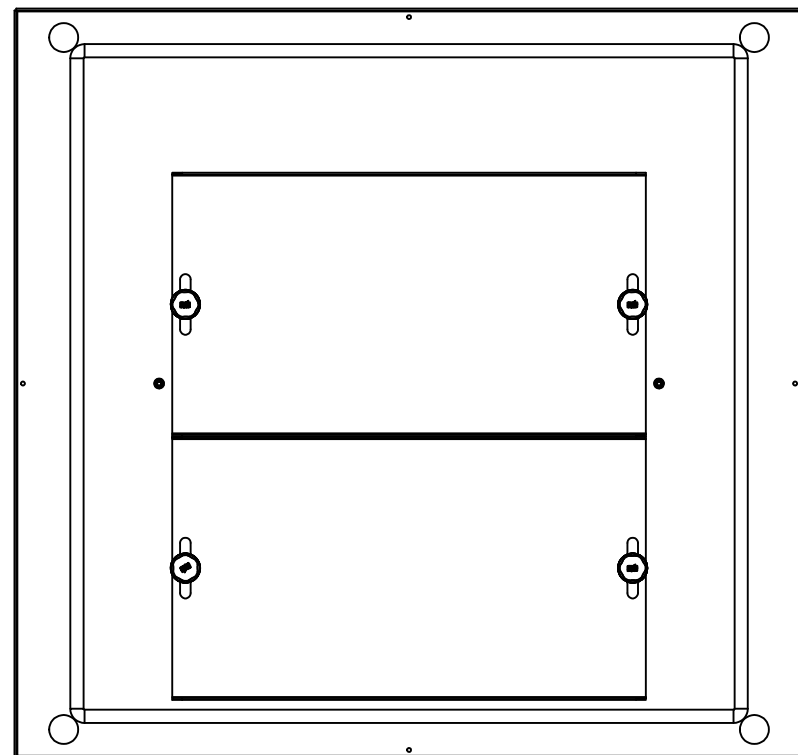
Qty	Part Number	Rev	Description
1	STK-P-03810R	0	Powder Paint (Iron Grey / Rough Textured)
2	STK-Q-16080	0.1.1	M6 x 16mm Ground Stud
1	6500MXK180606TG	0	6500 MXT 600mm x 600mm Top Gasket
1	6500MXK180606T-P	0	6500 MXT 600mm x 600mm Top Part
Parts List			

This drawing is confidential and must not be reproduced or used without the consent of EXM

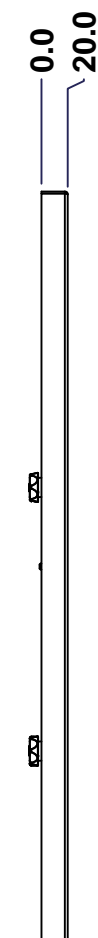
Ce dessin est confidentiel et ne doit pas être reproduit ou utilisé sans le consentement de EXM



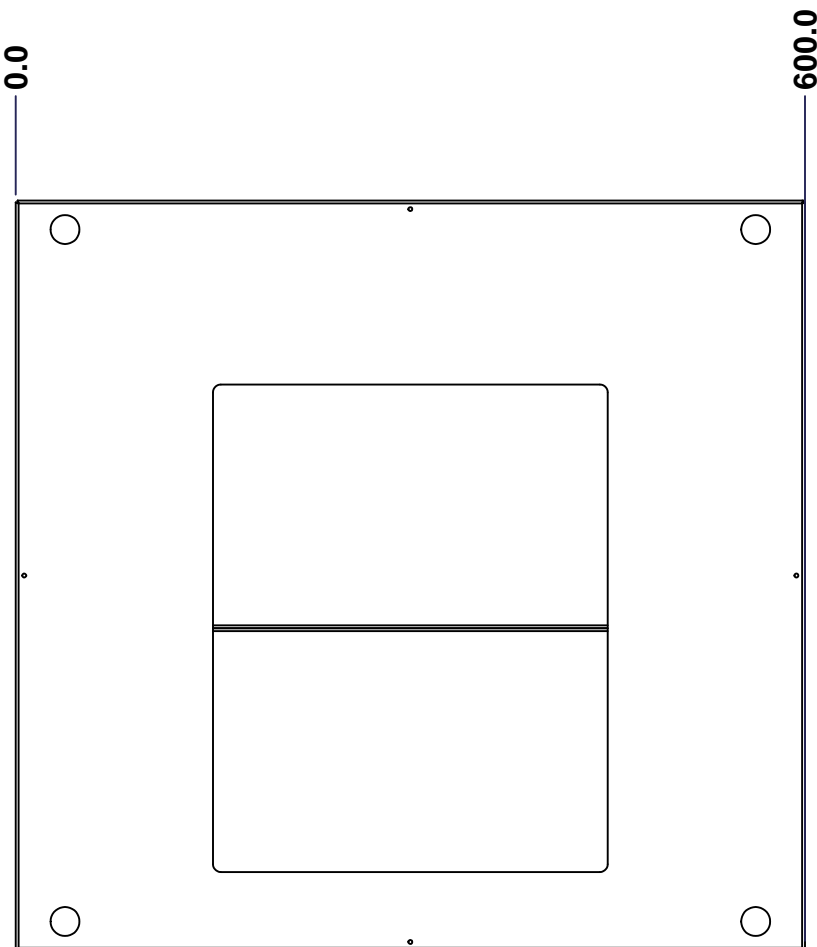
TOP



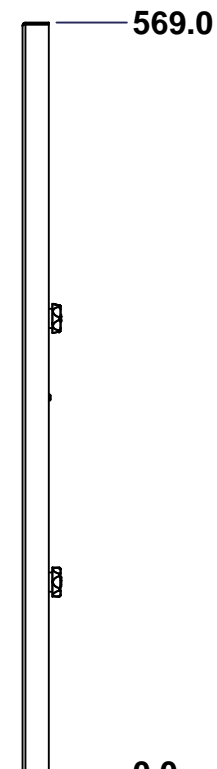
BACK



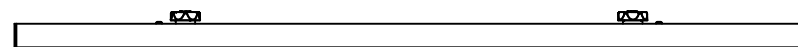
LEFT



FRONT

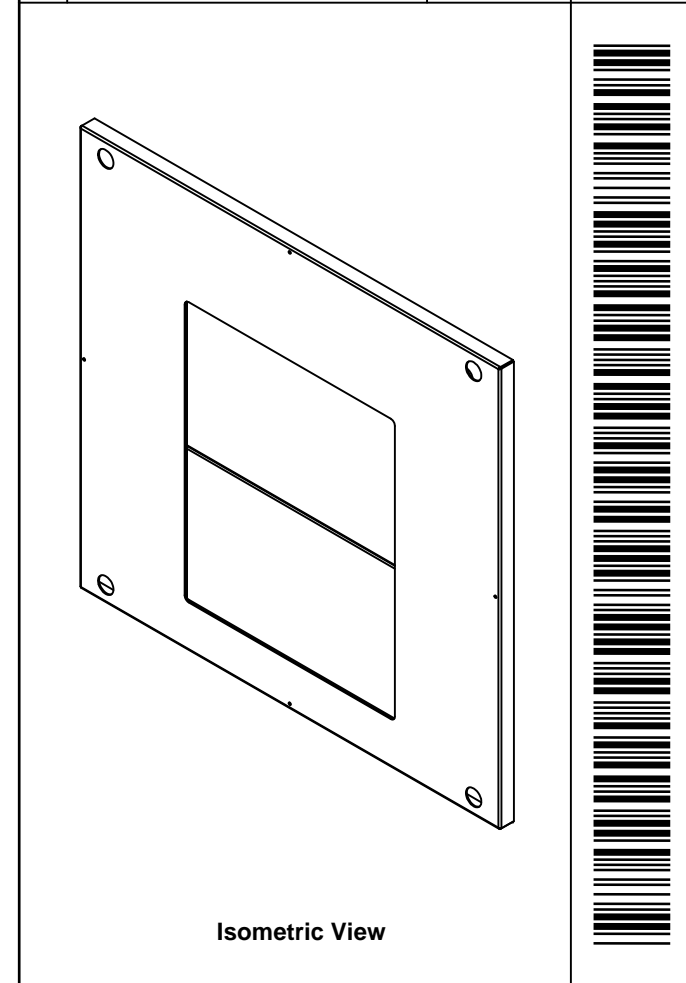


RIGHT




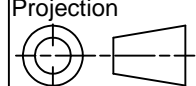
BOTTOM

No.	Revisions	Date	By/Par



Isometric View



 Tél: (450) 979-4373 Fax: (450) 979-4626 www.exmweb.com		Flatness Aplatissement Max 3.0mm Projection 
Customer Client	BoxCad: Annie	Date 10/02/2015
Material Matière		16 Ga H.R.P. & O. (1.4mm)
Color Couleur	Iron Grey RAL7011	Finish Fini Rough Textured
Description		Detail Rev.
6500 MXB 600mm x 600mm Bottom		
Part Number Numéro Pièce	Rev. 0	1 3

SEE BILL OF MATERIAL ON LAST PAGE

6500MXK180606BT

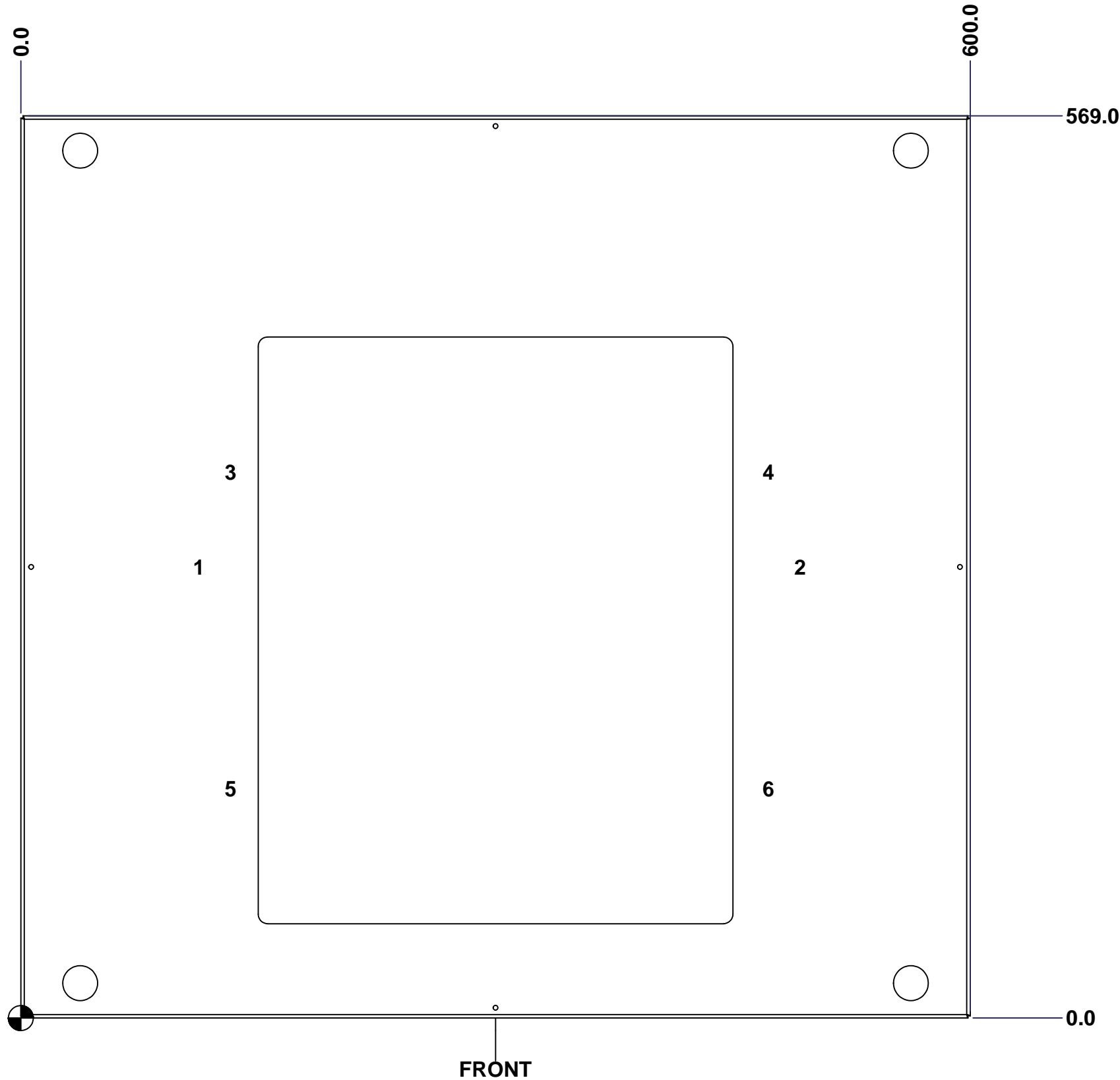
This drawing is confidential and must not be reproduced or used without the consent of EXM

Ce dessin est confidentiel et ne doit pas être reproduit ou utilisé sans le consentement de EXM

STANDARD FEATURES ARE NOT LISTED IN THIS HOLE TABLE

HOLE TABLE - FRONT VIEW (CUSTOM FEATURE ONLY)

CUT-OUT	XDIM	YDIM	DESCRIPTION
1	110.0	284.5	GND STUD M6 x 16mm (Inside)
2	490.0	284.5	GND STUD M6 x 16mm (Inside)
3	130.0	344.5	GP STUD M6 x 10mm (Inside)
4	470.0	344.5	GP STUD M6 x 10mm (Inside)
5	130.0	144.5	GP STUD M6 x 10mm (Inside)
6	470.0	144.5	GP STUD M6 x 10mm (Inside)

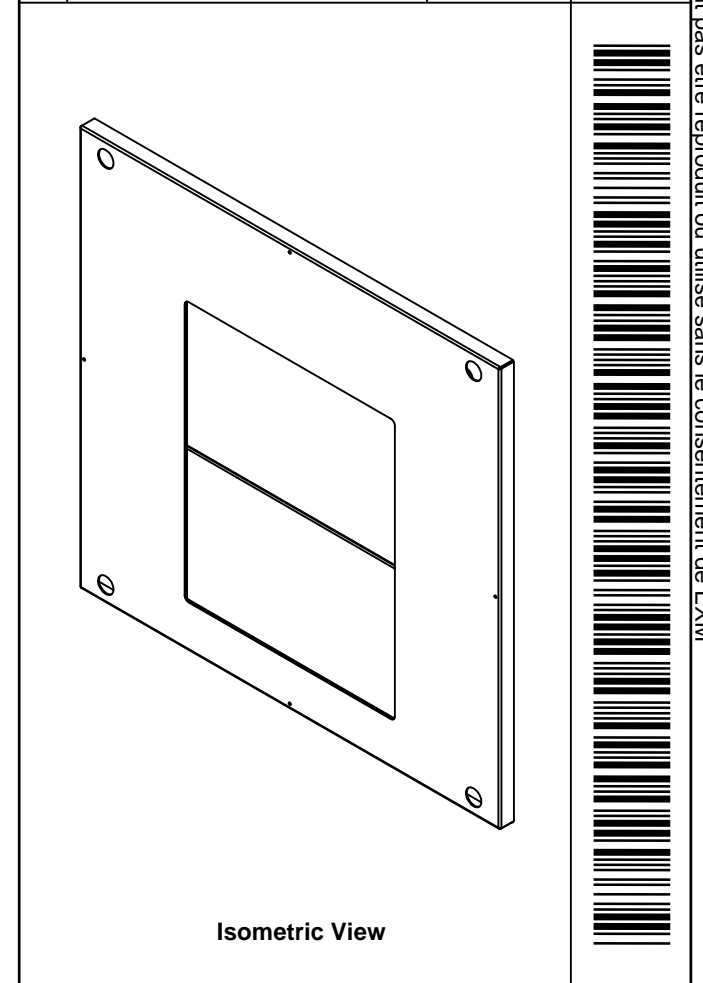


	Description	Status
	6500 MXB 600mm x 600mm Bottom	(NULL)
	Part Number Numéro Pièce	Rev.
	6500MXK180606BT	0
		2
		3


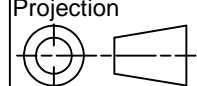
This drawing is confidential and must not be reproduced or used without the consent of EXM

Ce dessin est confidentiel et ne doit pas être reproduit ou utilisé sans le consentement de EXM

No.	Revisions	Date	By/Par

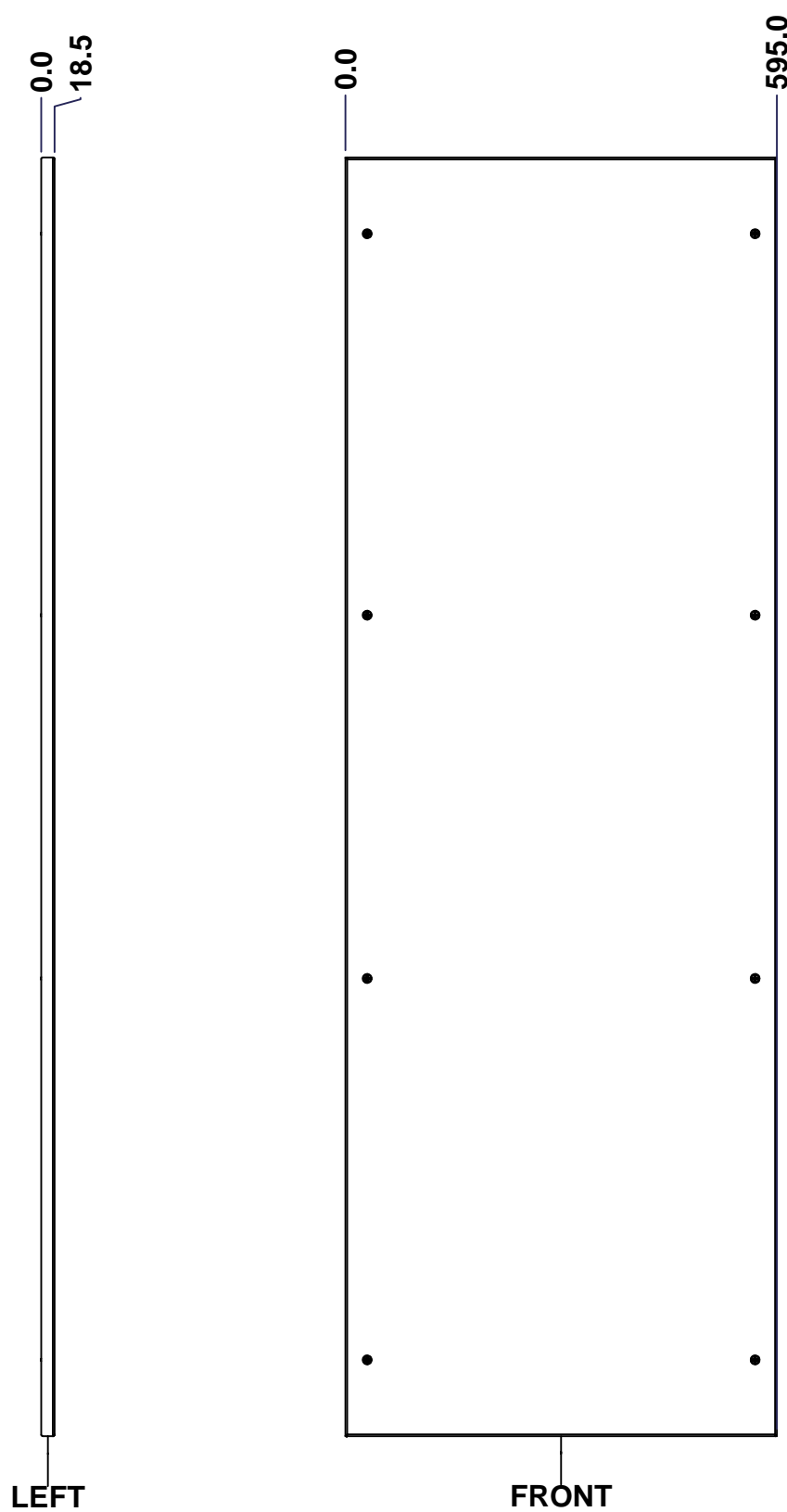
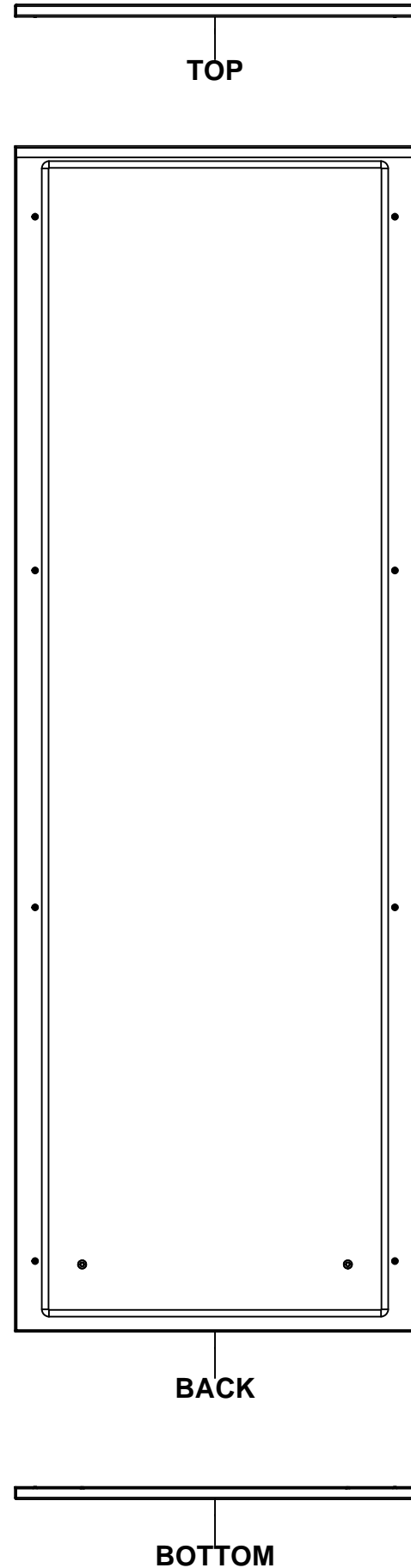


Qty	Part Number	Rev	Description
1	STK-P-03810R	0	Powder Paint (Iron Grey / Rough Textured)
4	STK-Q-06001	0	Mtrx - Gland Plate M6 Plastic Thumb Nut
2	STK-Q-16055	1	M6 x 18mm Stud (No Paint Cap Required)
2	6500MXK180606GP200-P	0	6500 MXB 600mm Gland Plate Part (200mm)
4	STK-Q-16031	0	M6 x 10mm Stud (No Paint Cap Required)
1	6500MXK180606BTGPG	0	6500 MXB 600mm x 600mm Bottom Gland Plate Gasket
1	6500MXK180606BTG	0	6500 MXB 600mm x 600mm Bottom Gasket
1	6500MXK180606BT-P	0	6500 MXB 600mm x 600mm Bottom Part
Parts List			

 Tél: (450) 979-4373 Fax: (450) 979-4626 www.exmweb.com		Flatness Aplatissement Max 3.0mm Projection 	
Customer Client		Date	
Drawn By / Dessiné Par: BoxCad: Annie		Date: 10/02/2015	
Material / Matière: 16 Ga H.R.P. & O. (1.4mm)		Color / Couleur: Iron Grey RAL7011	
Description: 6500 MXB 600mm x 600mm Bottom		Finish / Fini: Rough Textured	
Part Number / Numéro Pièce: 6500MXK180606BT		Detail Rev. / Rev. 3	

This drawing is confidential and must not be reproduced or used without the consent of EXM

Ce dessin est confidentiel et ne doit pas être reproduit ou utilisé sans le consentement de EXM



No.	Revisions	Date	By/Par

Isometric View

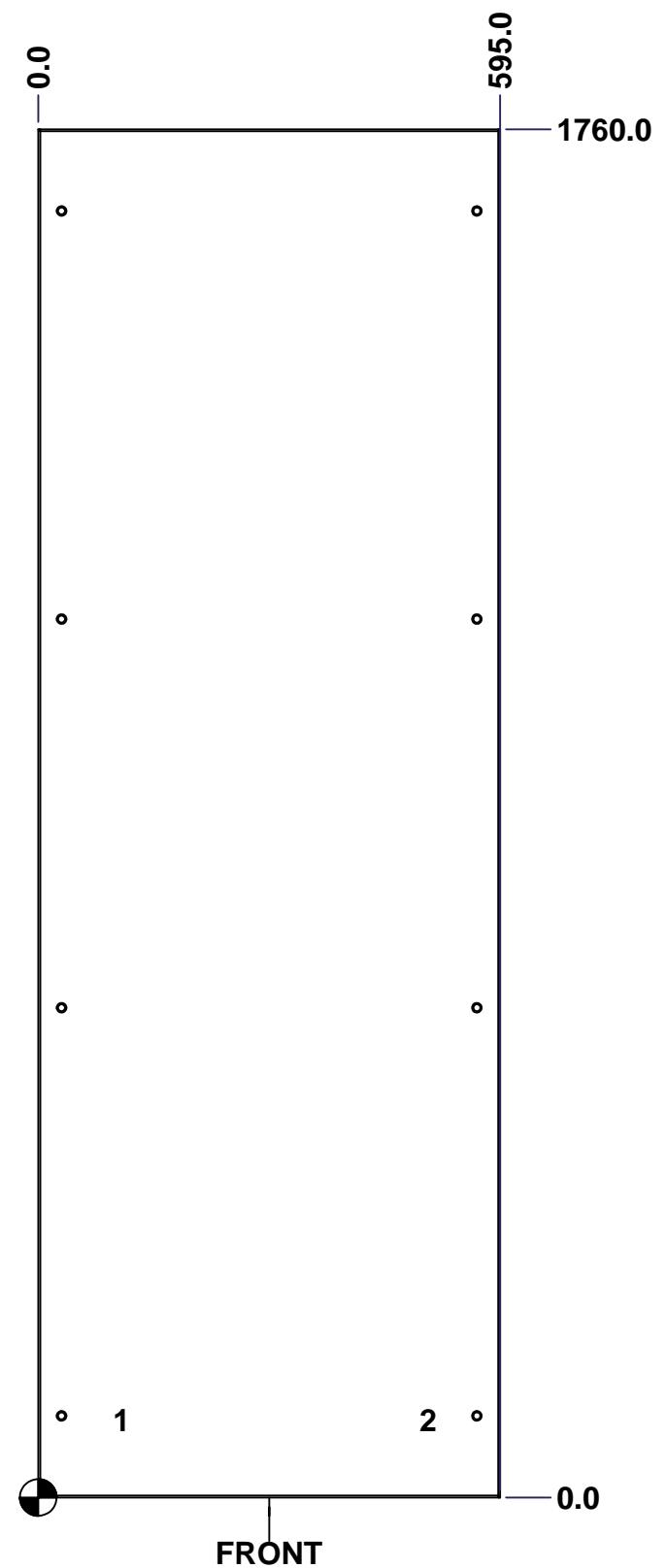
<p>Tél: (450) 979-4373 Fax: (450) 979-4626 www.exmweb.com</p>		Flatness Aplatissement	
		Max 3.0mm	
Customer Client		Projection	
Date		Date 10/02/2015	
Drawn By Dessiné Par BoxCad: Annie		Date	
Material Matière 14 Ga H.R.P. & O. (1.7mm)			
Color Couleur Light Grey RAL7035		Finish Fin Rough Textured	
Description 6500 MXR 1800mm x 600mm Back		Detail Rev.	
Part Number Numéro Pièce 6500MXK180606B		Rev. 0	1 3

SEE BILL OF MATERIAL ON LAST PAGE

This drawing is confidential and must not be reproduced or used without the consent of EXM

Ce dessin est confidentiel et ne doit pas être reproduit ou utilisé sans le consentement de EXM

STANDARD FEATURES ARE NOT LISTED IN THIS HOLE TABLE			
HOLE TABLE - FRONT VIEW (CUSTOM FEATURE ONLY)			
CUT-OUT	XDIM	YDIM	DESCRIPTION
1	100.0	100.0	GND STUD M6 x 16mm (Inside)
2	495.0	100.0	GND STUD M6 x 16mm (Inside)

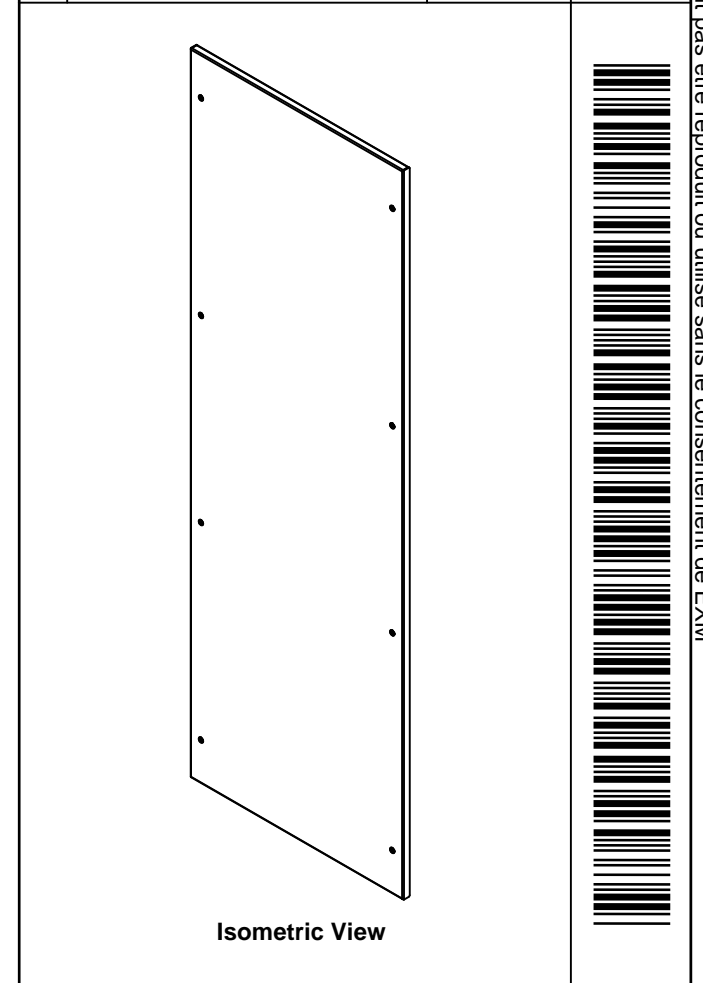



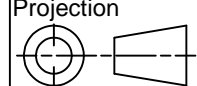
	Description	Status
	6500 MXR 1800mm x 600mm Back	(NULL)
	Part Number Numéro Pièce	Rev.
	6500MXK180606B	0
		2
		3

This drawing is confidential and must not be reproduced or used without the consent of EXM

Ce dessin est confidentiel et ne doit pas être reproduit ou utilisé sans le consentement de EXM

No.	Revisions	Date	By/Par



 Tél: (450) 979-4373 Fax: (450) 979-4626 www.exmweb.com		Flatness Aplatissement Max 3.0mm Projection 
Customer Client	Date	
Drawn By Dessiné Par	BoxCad: Annie	Date 10/02/2015
Material Matière	14 Ga H.R.P. & O. (1.7mm)	
Color Couleur	Light Grey RAL7035	Finish Fini Rough Textured
Description	Detail Rev.	
6500 MXR 1800mm x 600mm Back		
Part Number Numéro Pièce	Rev.	3
6500MXK180606B	0	3

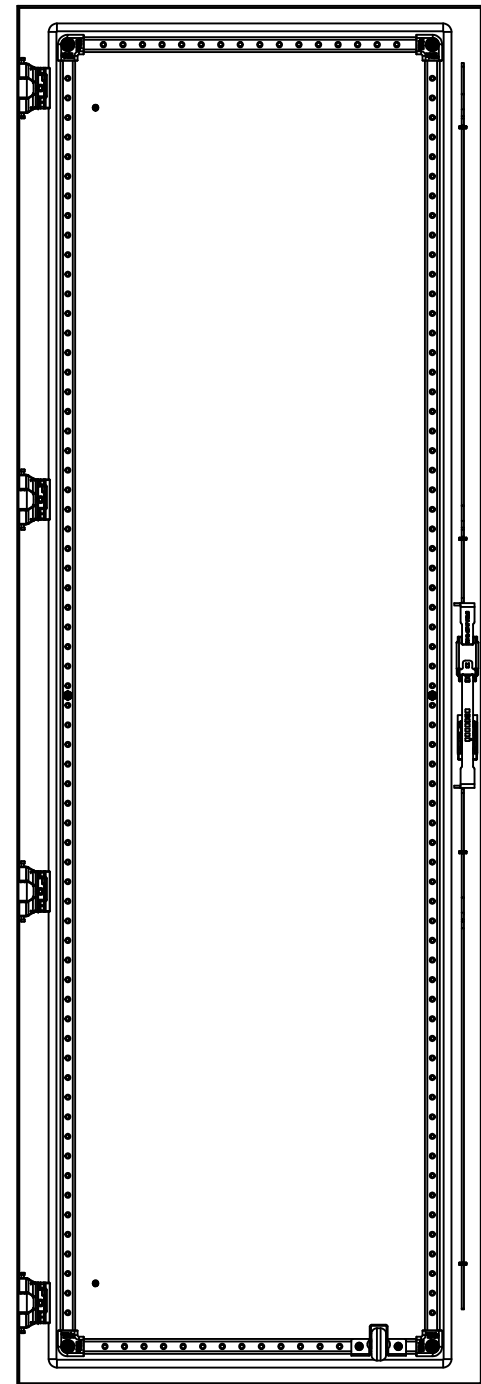
Qty	Part Number	Rev	Description
1	STK-P-03820R	0	Powder Paint (Light Grey / Rough Textured)
8	STK-Q-03072	2	M6 x 17mm Phillips Flat Head Screw
2	STK-Q-16080	0.1.1	M6 x 16mm Ground Stud
1	6500MXK180606BG	0	6500 MXR 1800mm x 600mm Back Gasket
1	6500MXK180606B-P	0	6500 MXR 1800mm x 600mm Back Part
Parts List			

This drawing is confidential and must not be reproduced or used without the consent of EXM

Ce dessin est confidentiel et ne doit pas être reproduit ou utilisé sans le consentement de EXM



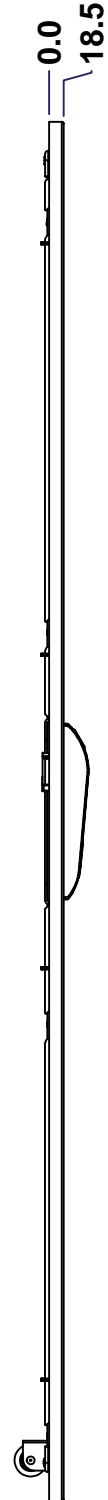
TOP



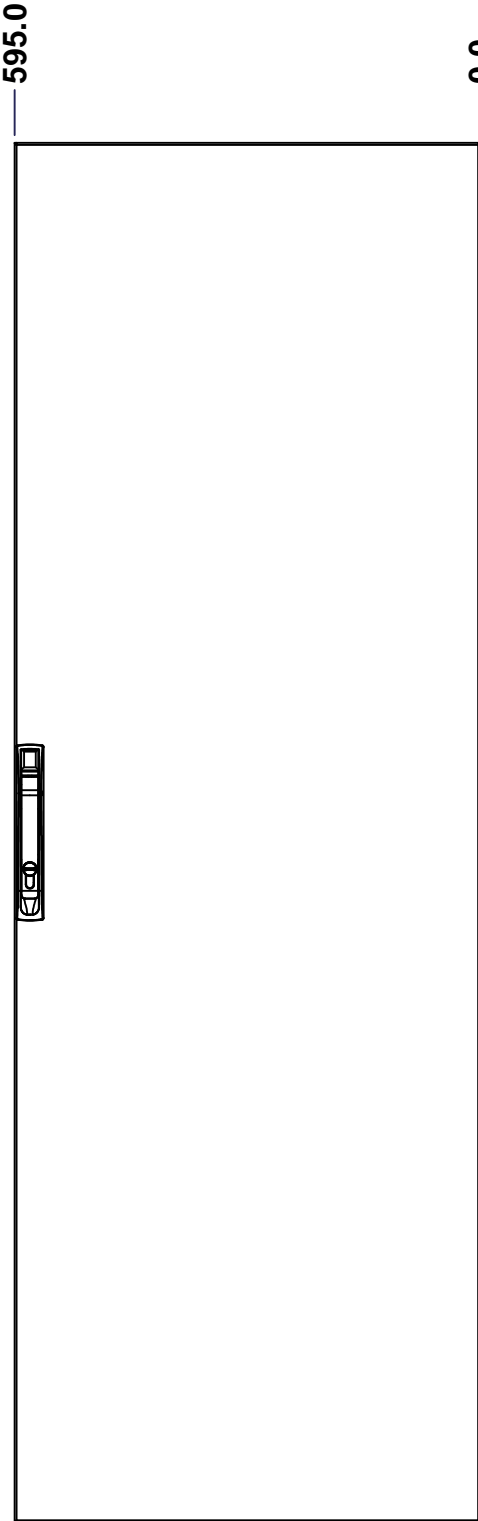
BACK



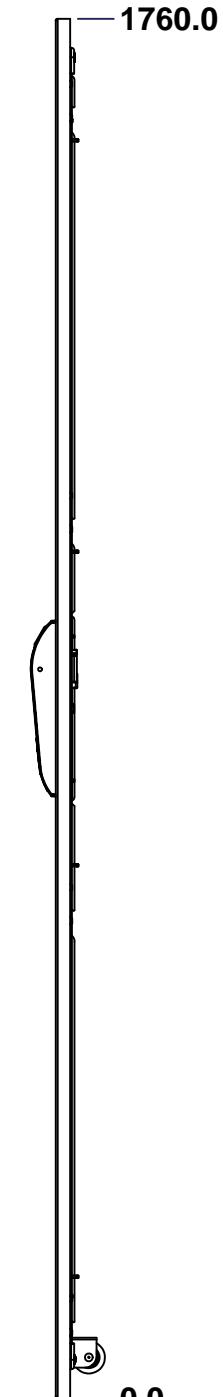
BOTTOM



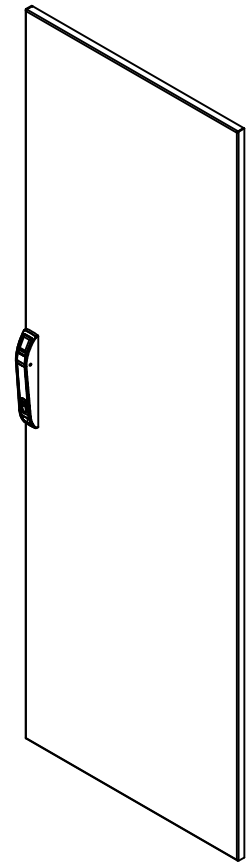
LEFT



FRONT




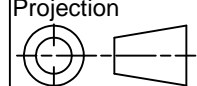
RIGHT



Isometric View



No.	Revisions	Date	By/Par

 Tél: (450) 979-4373 Fax: (450) 979-4626 www.exmweb.com		Flatness Aplatissement Max 3.0mm Projection 
Customer Client	Date	
Drawn By Dessiné Par	BoxCad: Annie	Date 10/02/2015
Material Matière	14 Ga H.R.P. & O. (1.7mm)	
Color Couleur	Light Grey RAL7035	Finish Fin Rough Textured
Description 6500 MXD 1800mm x 600mm Front		Detail Rev.
Part Number Numéro Pièce	6500MXK180606F	Rev. 1 0

SEE BILL OF MATERIAL ON LAST PAGE

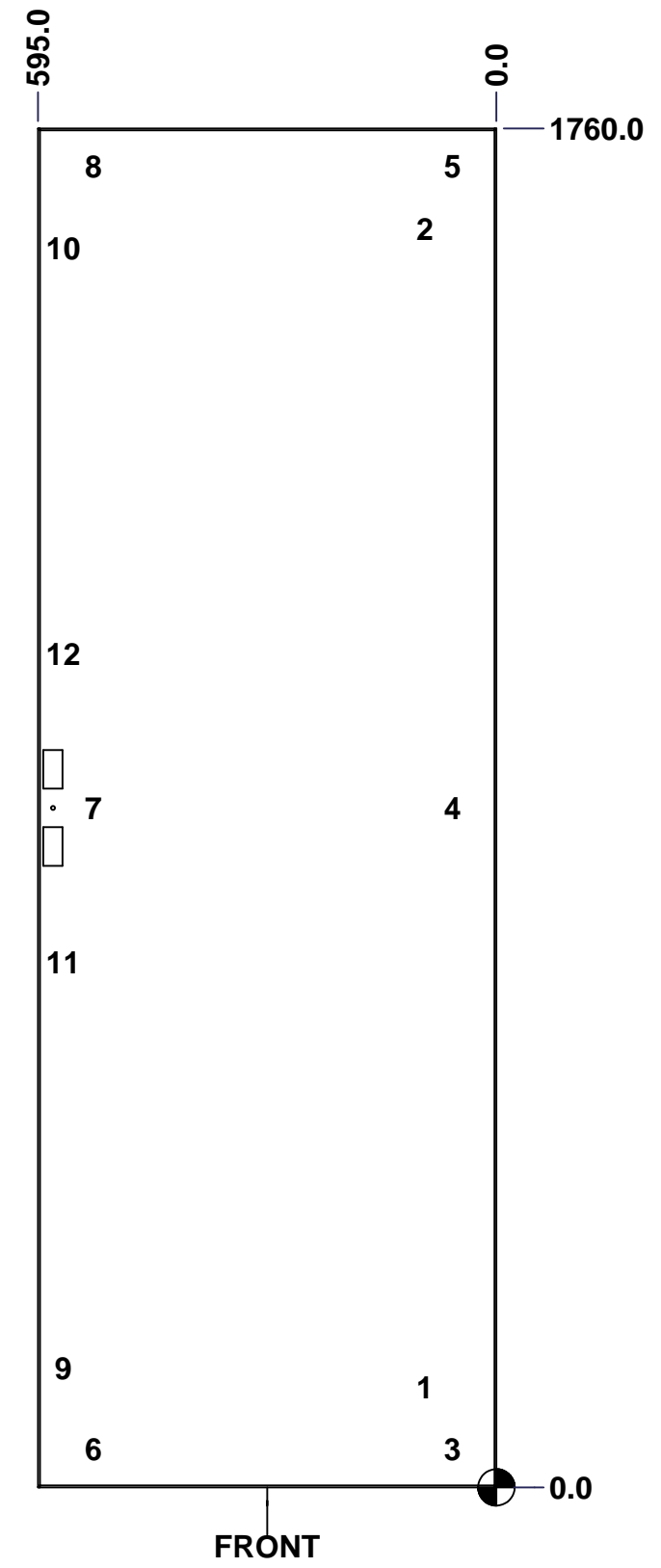
This drawing is confidential and must not be reproduced or used without the consent of EXM

Ce dessin est confidentiel et ne doit pas être reproduit ou utilisé sans le consentement de EXM

STANDARD FEATURES ARE NOT LISTED IN THIS HOLE TABLE

HOLE TABLE - FRONT VIEW (CUSTOM FEATURE ONLY)

CUT-OUT	XDIM	YDIM	DESCRIPTION
1	100.0	130.0	GND STUD M6 x 16mm (Inside)
2	100.0	1630.0	GND STUD M6 x 16mm (Inside)
3	64.5	49.5	STIFF. STUD M6 x 18mm (Inside)
4	64.5	880.0	STIFF. STUD M6 x 18mm (Inside)
5	64.5	1710.5	STIFF. STUD M6 x 18mm (Inside)
6	530.5	49.5	STIFF. STUD M6 x 18mm (Inside)
7	530.5	880.0	STIFF. STUD M6 x 18mm (Inside)
8	530.5	1710.5	STIFF. STUD M6 x 18mm (Inside)
9	569.5	155.0	CLOSING BAR GUIDE (Inside)
10	569.5	1605.0	CLOSING BAR GUIDE (Inside)
11	569.5	680.0	CLOSING BAR GUIDE (Inside)
12	569.5	1080.0	CLOSING BAR GUIDE (Inside)

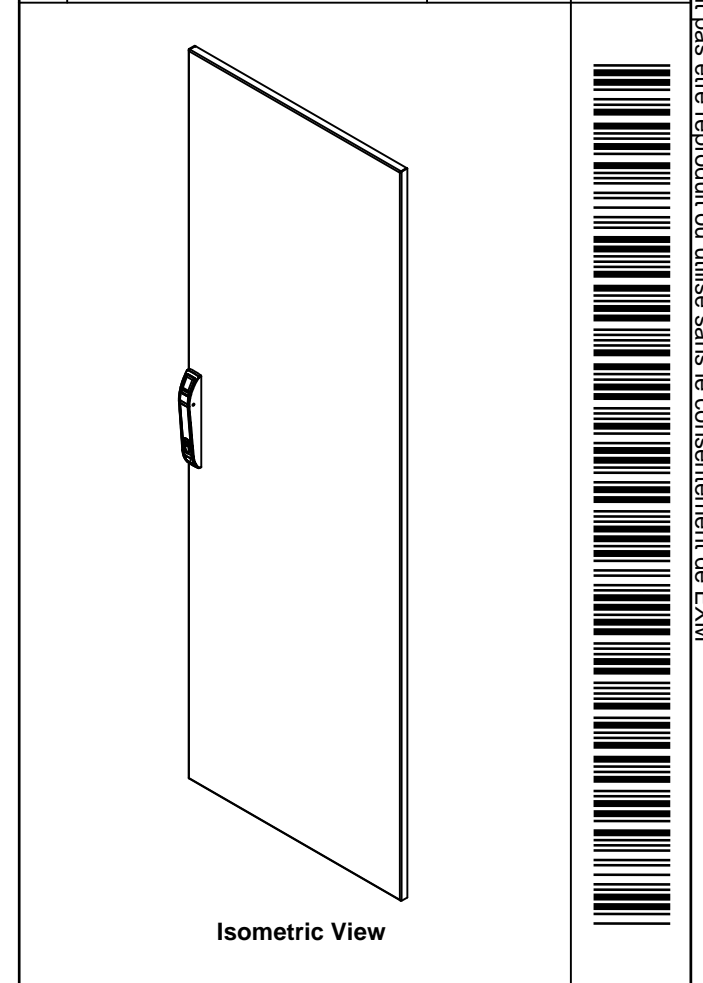


	Description 6500 MXD 1800mm x 600mm Front	Status (NULL)
	Part Number Numéro Pièce 6500MXK180606F	Rev. 2 0

This drawing is confidential and must not be reproduced or used without the consent of EXM

Ce dessin est confidentiel et ne doit pas être reproduit ou utilisé sans le consentement de EXM

No.	Revisions	Date	By/Par

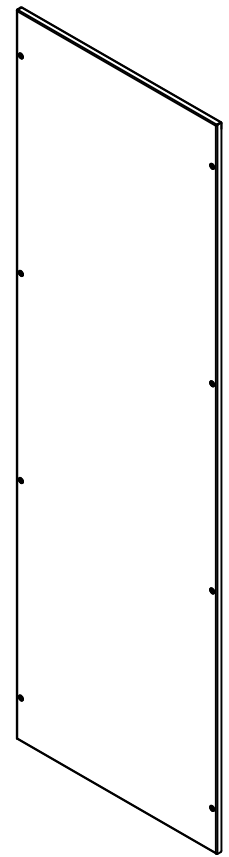
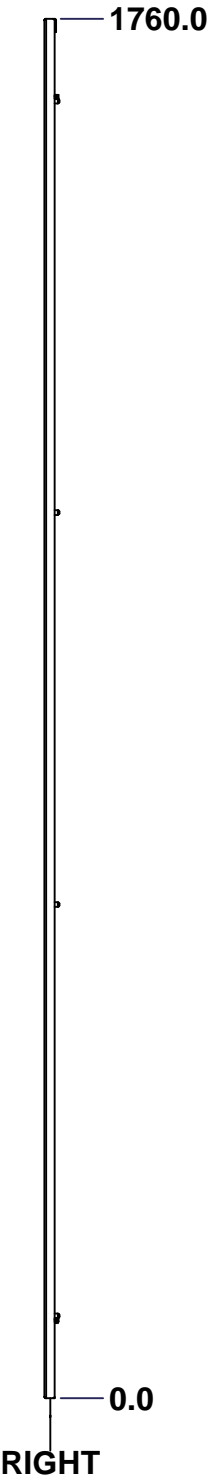
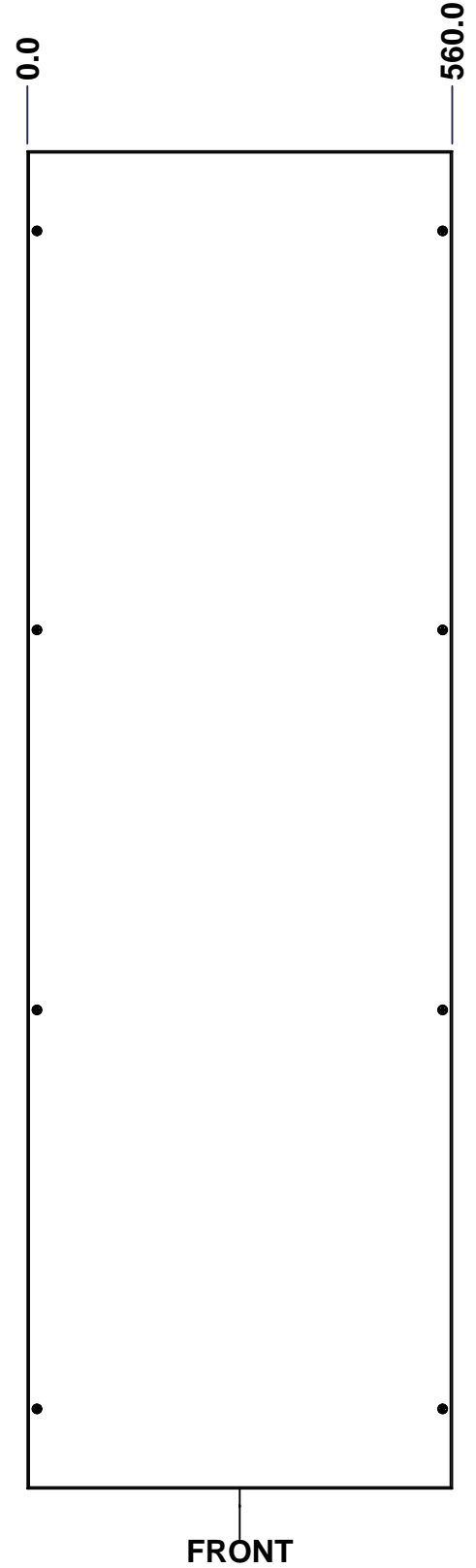
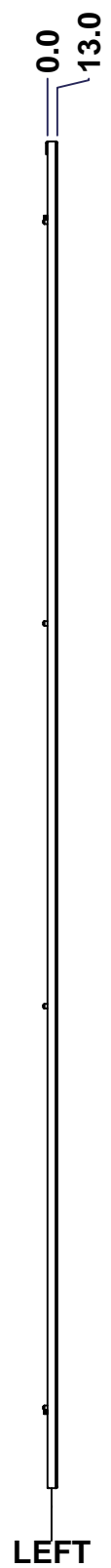
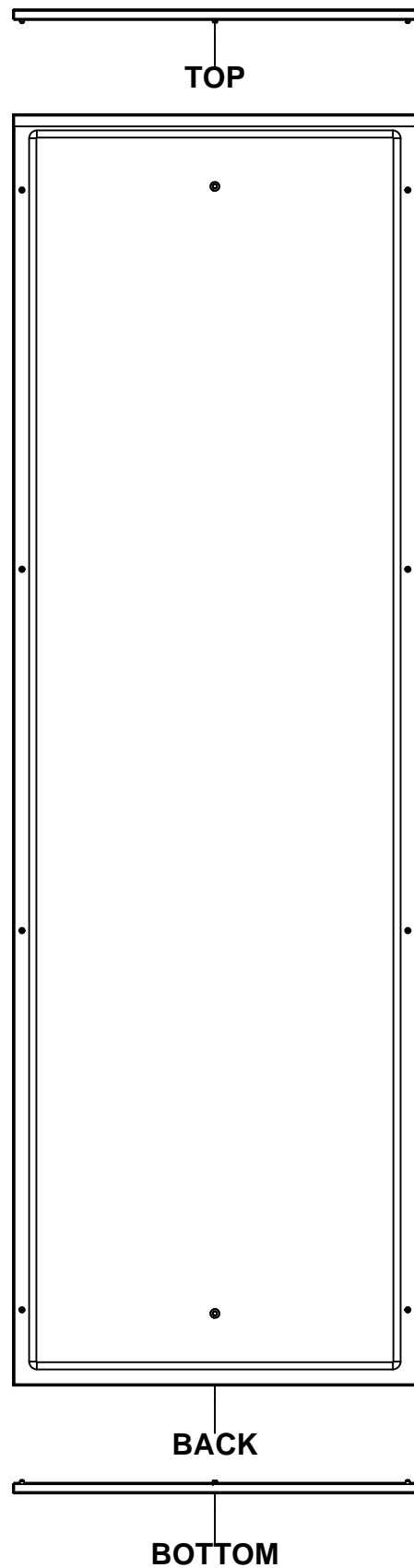


1	STK-P-03820R	0	Powder Paint (Light Grey / Rough Textured)
1	6500MXSRK	1	6500 MXRSK Door Support Roller
4	STK-Q-78022	0	Mtrx Closing Bar Slider
1	STK-Q-45746-18	1	6500 MXD - Lock Door Closing Bar
4	STK-Q-33105	4	5412 ESBU Buttable Hinge (Cover Part)
1	STK-Q-45729-18	2	6500 MXD - Lock Door Top Closing Bar
1	886PHD-S	4	Euroform Pull Handle Kit
8	STK-Q-16055	1	M6 x 18mm Stud (No Paint Cap Required)
1	6500MXK180606DS1	5	6500 MX 1800mm x 600mm Door Stiffener
1	6500MXK180606FG	0	6500 MXD 1800mm x 600mm Front Gasket
1	6500MXK180606F-P	0	6500 MXD 1800mm x 600mm Front Part
4	STK-K-06811	1	6500 MX - Hinge Assy
Qty	Part Number	Rev	Description
Parts List			

	Tél: (450) 979-4373 Fax: (450) 979-4626 www.exmweb.com	Flatness Aplatissement Max 3.0mm
	Projection	
Customer Client	Date	
Drawn By Dessiné Par	BoxCad: Annie	Date 10/02/2015
Material Matière	14 Ga H.R.P. & O. (1.7mm)	
Color Couleur	Light Grey RAL7035	Finish Fini
		Rough Textured
Description	6500 MXD 1800mm x 600mm Front	
Part Number Numéro Pièce	Rev. 0	3
6500MXK180606F		3

This drawing is confidential and must not be reproduced or used without the consent of EXM


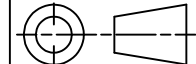
Ce dessin est confidentiel et ne doit pas être reproduit ou utilisé sans le consentement de EXM



Isometric View



No.	Revisions	Date	By/Par

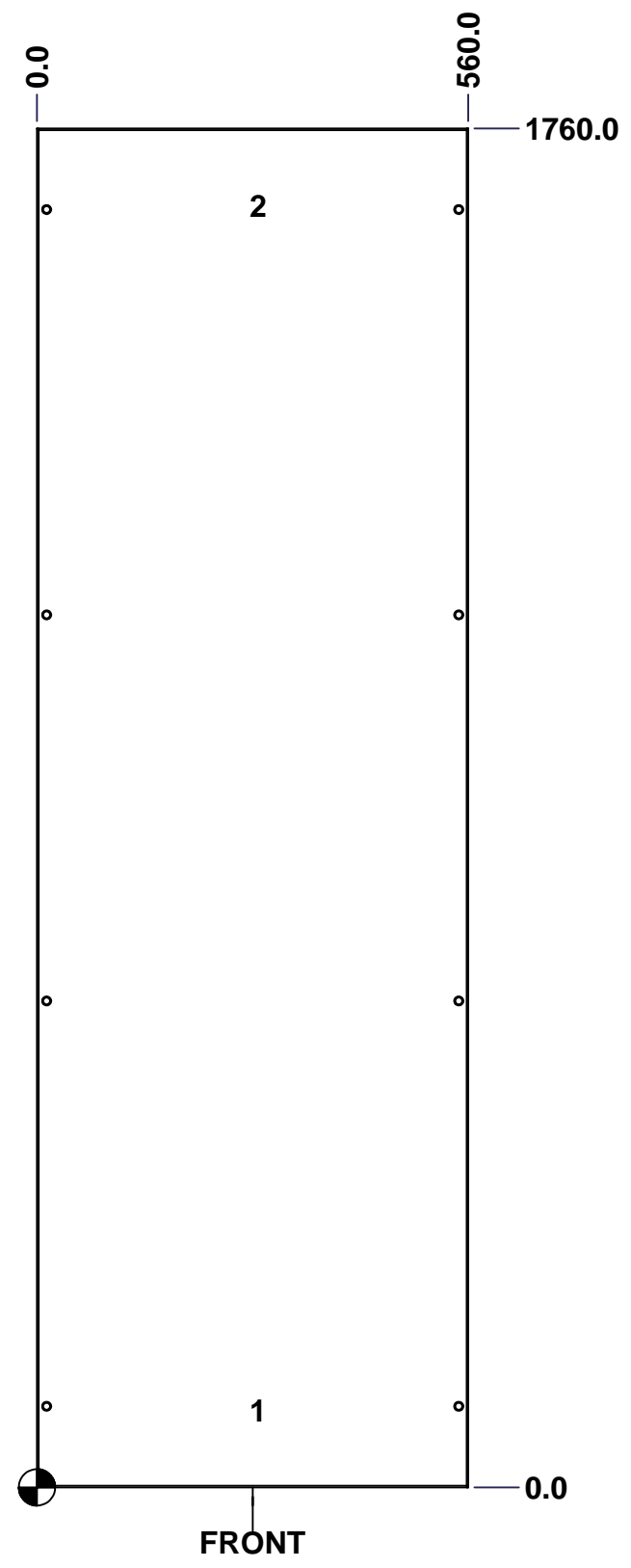
 Tél: (450) 979-4373 Fax: (450) 979-4626 www.exmweb.com		Flatness Aplatissement Max 3.0mm Projection 
Customer Client	Date	
Drawn By Dessiné Par	BoxCad: Annie	Date 10/02/2015
Material Matière	16 Ga H.R.P. & O. (1.4mm)	
Color Couleur	Light Grey RAL7035	Finish Fini
Description		Detail Rev.
6500 MXC 1800mm x 600mm Left		
Part Number Numéro Pièce	Rev.	
6500MXK180606L	0	1 / 3

SEE BILL OF MATERIAL ON LAST PAGE

This drawing is confidential and must not be reproduced or used without the consent of EXM

Ce dessin est confidentiel et ne doit pas être reproduit ou utilisé sans le consentement de EXM

STANDARD FEATURES ARE NOT LISTED IN THIS HOLE TABLE			
HOLE TABLE - FRONT VIEW (CUSTOM FEATURE ONLY)			
CUT-OUT	XDIM	YDIM	DESCRIPTION
1	280.0	100.0	GND STUD M6 x 16mm (Inside)
2	280.0	1660.0	GND STUD M6 x 16mm (Inside)

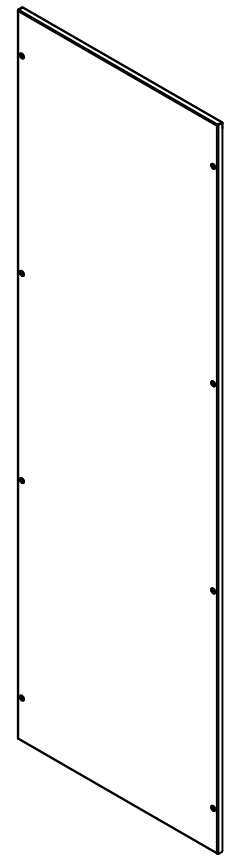


	Description	Status
	6500 MXC 1800mm x 600mm Left	(NULL)
	Part Number Numéro Pièce	Rev.
	6500MXK180606L	0
		2
		3


This drawing is confidential and must not be reproduced or used without the consent of EXM


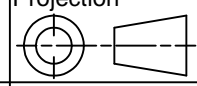
Ce dessin est confidentiel et ne doit pas être reproduit ou utilisé sans le consentement de EXM

No.	Revisions	Date	By/Par



Isometric View

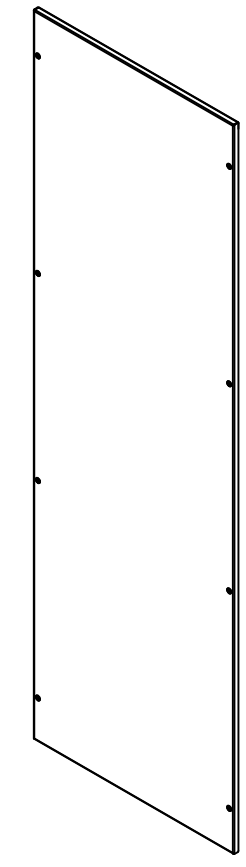
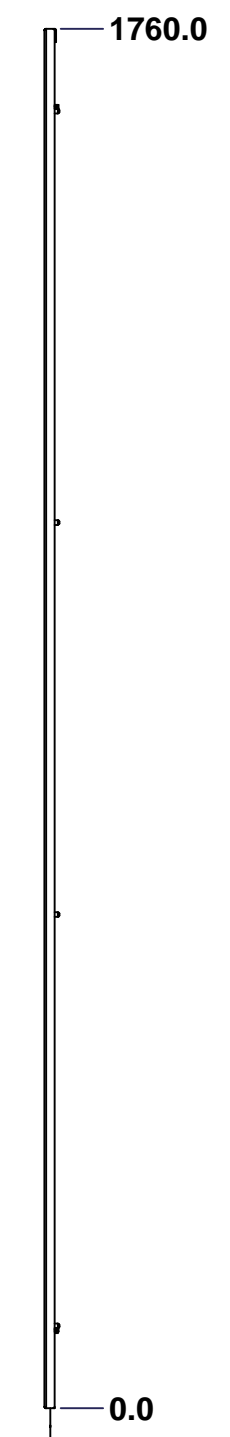
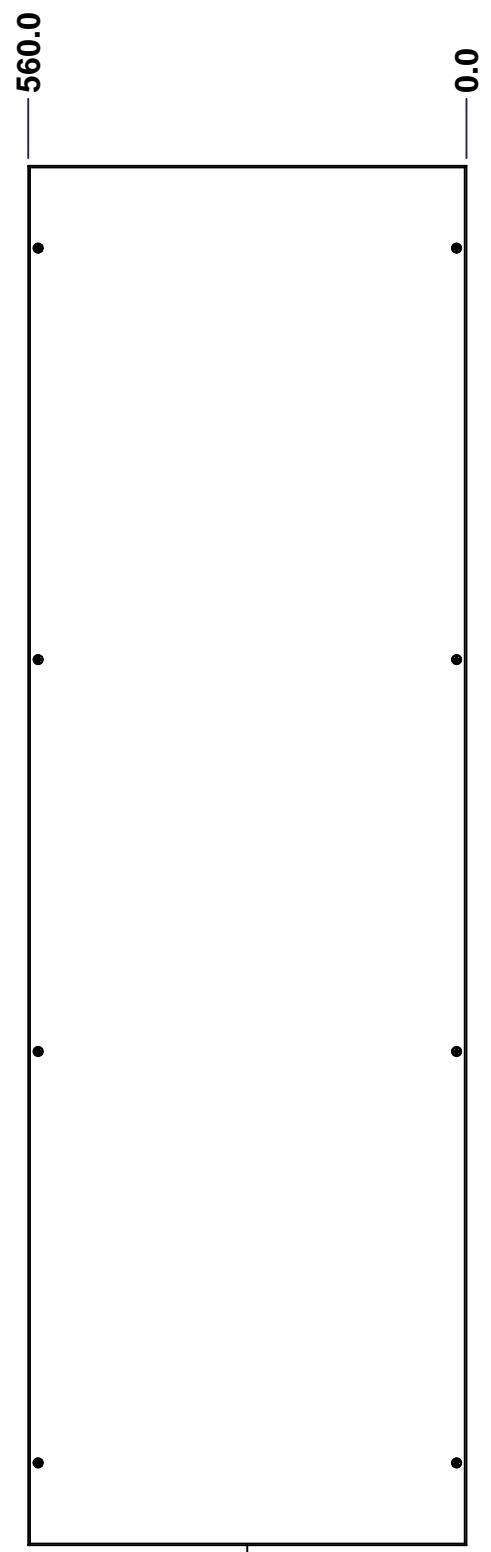
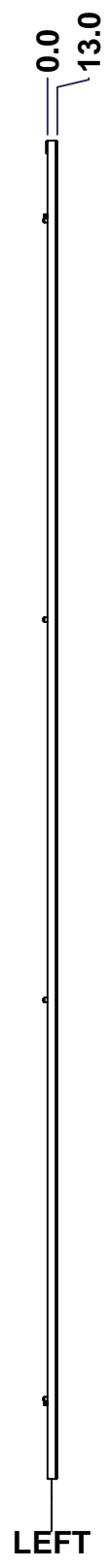
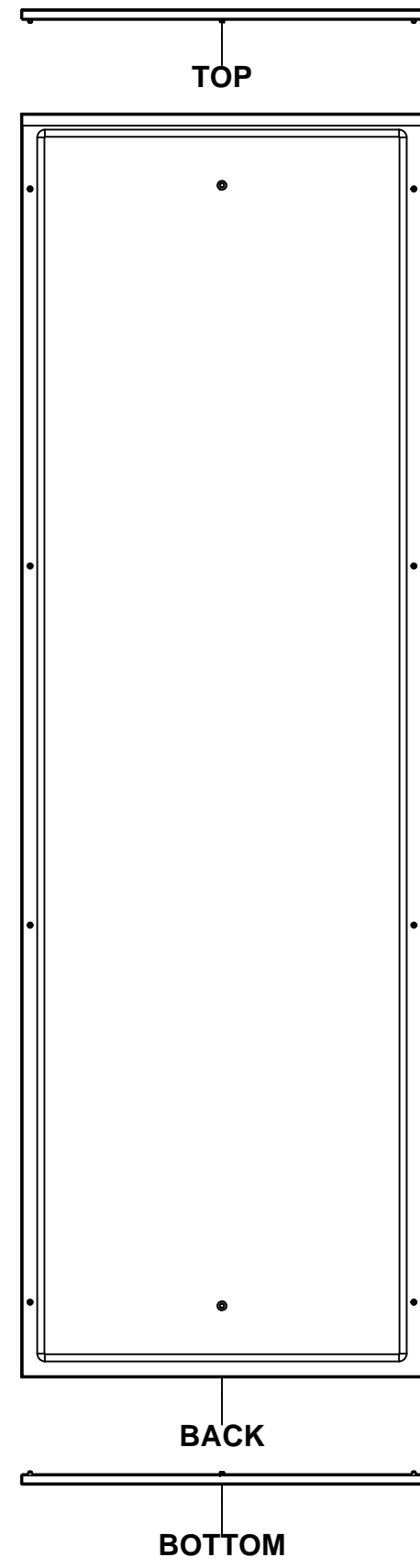


		Tél: (450) 979-4373 Fax: (450) 979-4626 www.exmweb.com		Flatness Aplatissement Max 3.0mm	
Projection 		Customer Client		Date	
Drawn By / Dessiné Par		BoxCad: Annie		Date 10/02/2015	
Material / Matière		16 Ga H.R.P. & O. (1.4mm)			
Color / Couleur		Light Grey RAL7035		Finish / Fini Rough Textured	
Description				Detail Rev.	
6500 MXC 1800mm x 600mm Left					
Part Number / Numéro Pièce		6500MXK180606L		Rev.	3
				0	3

Qty	Part Number	Rev	Description
1	STK-P-03820R	0	Powder Paint (Light Grey / Rough Textured)
8	STK-Q-03072	2	M6 x 17mm Phillips Flat Head Screw
2	STK-Q-16080	0.1.1	M6 x 16mm Ground Stud
1	6500MXK180606LG	0	6500 MXC 1800mm x 600mm Left Gasket
1	6500MXK180606L-P	0	6500 MXC 1800mm x 600mm Left Part
Parts List			

This drawing is confidential and must not be reproduced or used without the consent of EXM


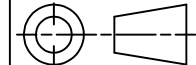
Ce dessin est confidentiel et ne doit pas être reproduit ou utilisé sans le consentement de EXM



Isometric View



No.	Revisions	Date	By/Par

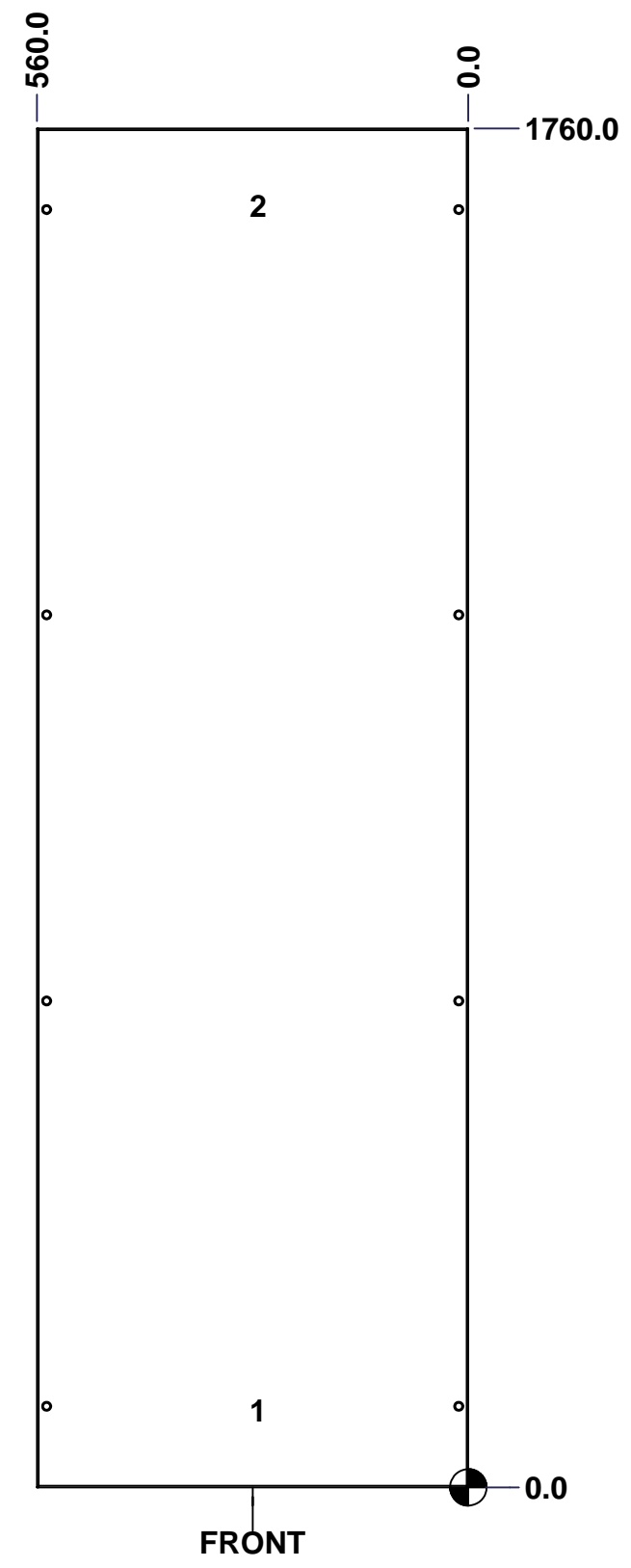
 Tél: (450) 979-4373 Fax: (450) 979-4626 www.exmweb.com		Flatness Aplatissement Max 3.0mm Projection 
Customer Client	Date	
Drawn By Dessiné Par	BoxCad: Annie	Date 10/02/2015
Material Matière	16 Ga H.R.P. & O. (1.4mm)	
Color Couleur	Light Grey RAL7035	Finish Fini Rough Textured
Description 6500 MXC 1800mm x 600mm Right		Detail Rev.
Part Number Numéro Pièce	6500MXK180606R	Rev. 1 0

SEE BILL OF MATERIAL ON LAST PAGE

This drawing is confidential and must not be reproduced or used without the consent of EXM

Ce dessin est confidentiel et ne doit pas être reproduit ou utilisé sans le consentement de EXM

STANDARD FEATURES ARE NOT LISTED IN THIS HOLE TABLE			
HOLE TABLE - FRONT VIEW (CUSTOM FEATURE ONLY)			
CUT-OUT	XDIM	YDIM	DESCRIPTION
1	280.0	100.0	GND STUD M6 x 16mm (Inside)
2	280.0	1660.0	GND STUD M6 x 16mm (Inside)

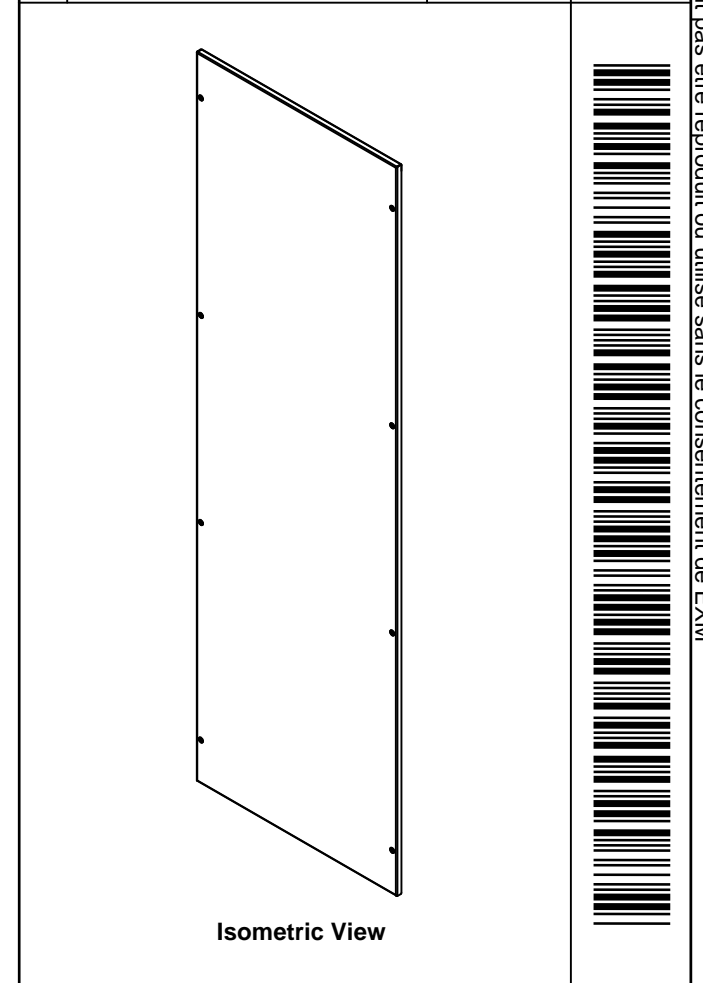



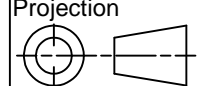
	Description	Status	
	6500 MXC 1800mm x 600mm Right	(NULL)	
	Part Number Numéro Pièce	Rev.	
	6500MXK180606R	0	2 3

This drawing is confidential and must not be reproduced or used without the consent of EXM

Ce dessin est confidentiel et ne doit pas être reproduit ou utilisé sans le consentement de EXM

No.	Revisions	Date	By/Par

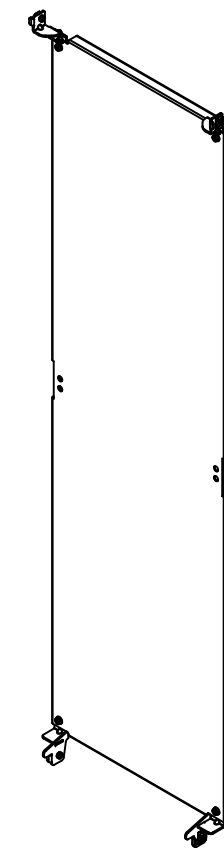
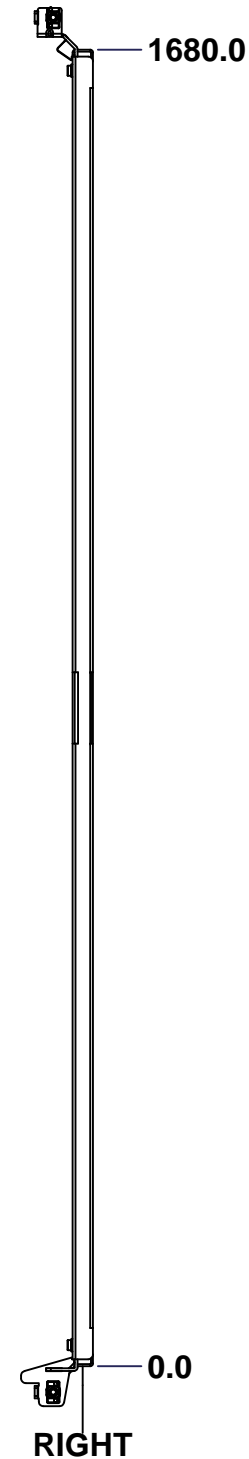
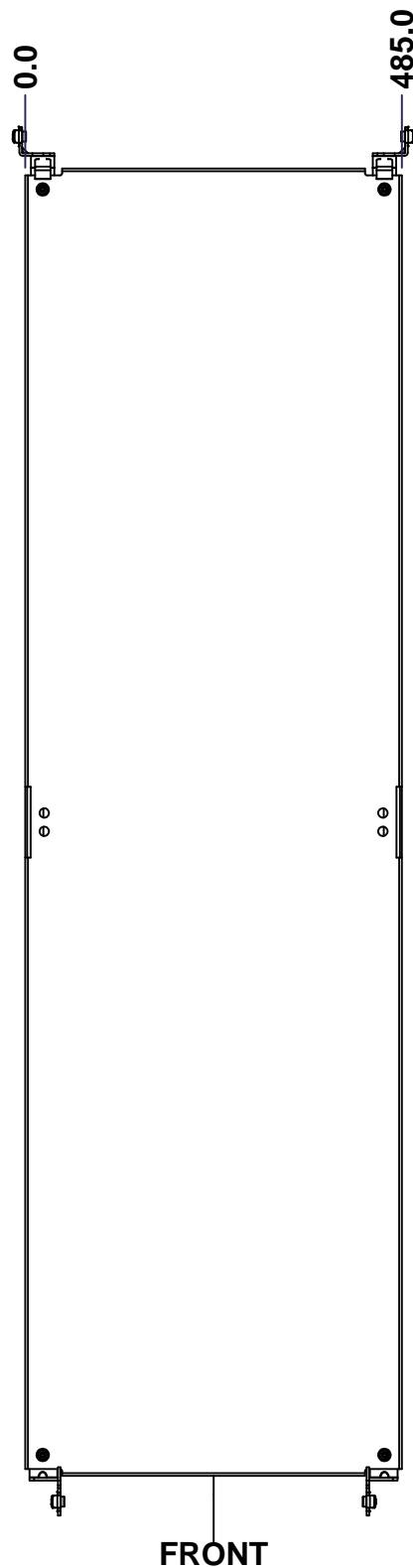
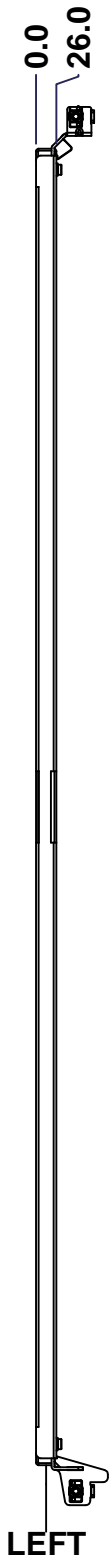
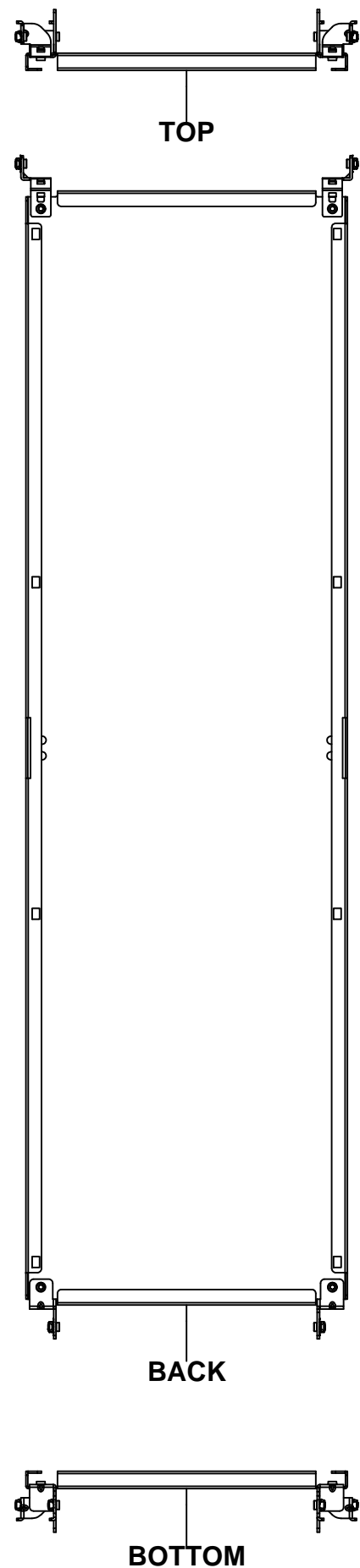


 Tél: (450) 979-4373 Fax: (450) 979-4626 www.exmweb.com		Flatness Aplatissement Max 3.0mm Projection 
Customer Client	Date	
Drawn By Dessiné Par	BoxCad: Annie	Date 10/02/2015
Material Matière	16 Ga H.R.P. & O. (1.4mm)	
Color Couleur	Light Grey RAL7035	Finish Fini Rough Textured
Description	Detail Rev.	
6500 MXC 1800mm x 600mm Right		
Part Number Numéro Pièce	Rev.	3
6500MXK180606R	0	3

Qty	Part Number	Rev	Description
1	STK-P-03820R	0	Powder Paint (Light Grey / Rough Textured)
8	STK-Q-03072	2	M6 x 17mm Phillips Flat Head Screw
2	STK-Q-16080	0.1.1	M6 x 16mm Ground Stud
1	6500MXK180606RG	0	6500 MXC 1800mm x 600mm Right Gasket
1	6500MXK180606R-P	0	6500 MXC 1800mm x 600mm Right Part
Parts List			

This drawing is confidential and must not be reproduced or used without the consent of EXM


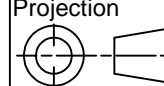
Ce dessin est confidentiel et ne doit pas être reproduit ou utilisé sans le consentement de EXM



Isometric View



No.	Revisions	Date	By/Par

 Tél: (450) 979-4373 Fax: (450) 979-4626 www.exmweb.com		Flatness Aplatissement Max 3.0mm Projection 
Customer Client	Date	
Drawn By Dessiné Par	BoxCad: Annie	Date 10/02/2015
Material Matière	12 Ga Galvanized (2.5mm)	
Color Couleur	Unpainted	Finish Finis Unpainted
Description 6500 MXM 1800mm x 600mm Back Inner Panel		Detail Rev.
Part Number Numéro Pièce	Rev. 0	1 / 3

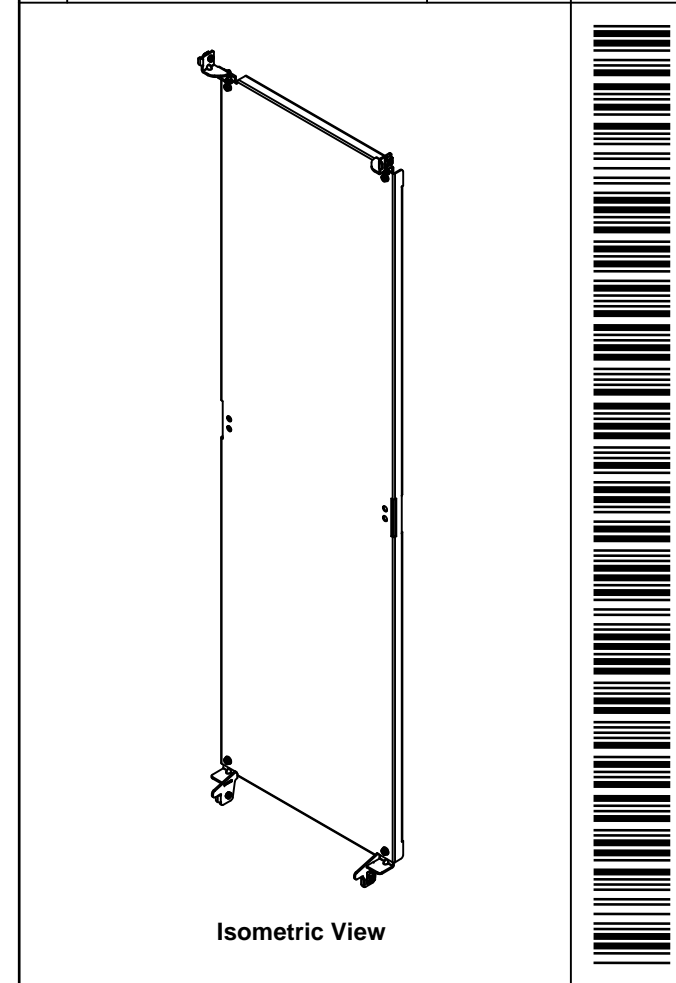
SEE BILL OF MATERIAL ON LAST PAGE

6500MXK180606BIP

This drawing is confidential and must not be reproduced or used without the consent of EXM

Ce dessin est confidentiel et ne doit pas être reproduit ou utilisé sans le consentement de EXM

No.	Revisions	Date	By/Par



Tél: (450) 979-4373 Fax: (450) 979-4626 www.exmweb.com		Flatness Aplatissement	
		Max 3.0mm	
Customer Client		Date	
Drawn By Dessiné Par		Date	
Material Matière		12 Ga Galvanized (2.5mm)	
Color Couleur		Finish Fini	
Unpainted		Unpainted	
Description 6500 MXM 1800mm x 600mm Back Inner Panel			Detail Rev.
Part Number Numéro Pièce			Rev.
6500MXK180606BIP			0
			3

Qty	Part Number	Rev	Description
1	STK-A-49005	0	6500MXM - Bottom Inner Panel Support Kit (Right)
1	STK-A-49000	0	6500MXM - Bottom Inner Panel Support Kit (Left)
1	STK-A-49015	0	6500MXM - Top Inner Panel Support Kit (Right)
1	STK-A-49010	0	6500MXM - Top Inner Panel Support Kit (Left)
1	6500MXK180606BIP-P	0	6500 MXM 1800mm x 600mm Back Inner Panel Part
Parts List			