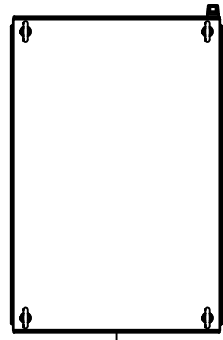
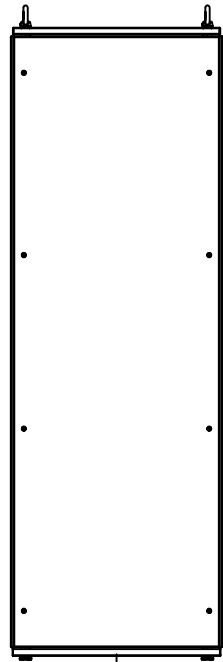


This drawing is confidential and must not be reproduced or used without the consent of EXM

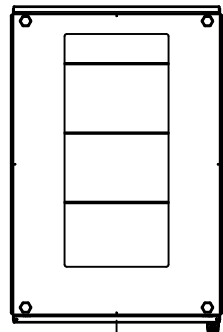
Ce dessin est confidentiel et ne doit pas être reproduit ou utilisé sans le consentement de EXM



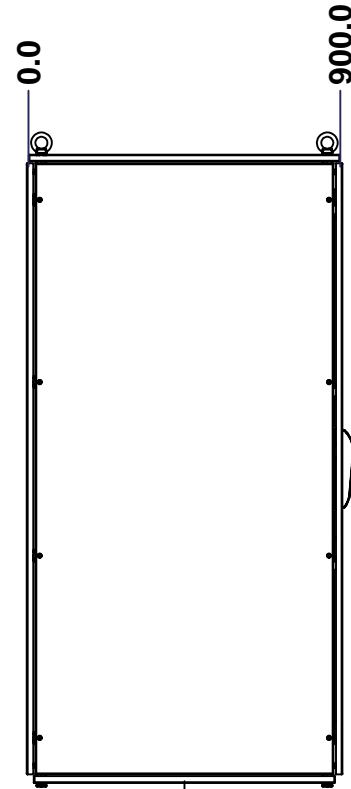
TOP



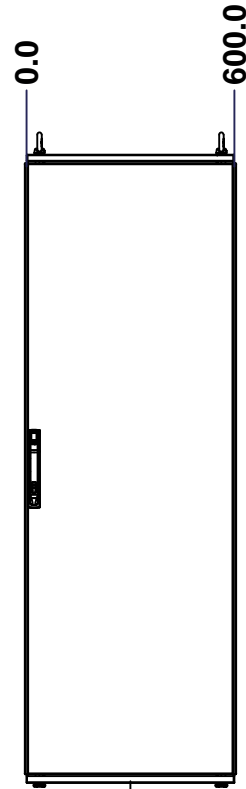
BACK



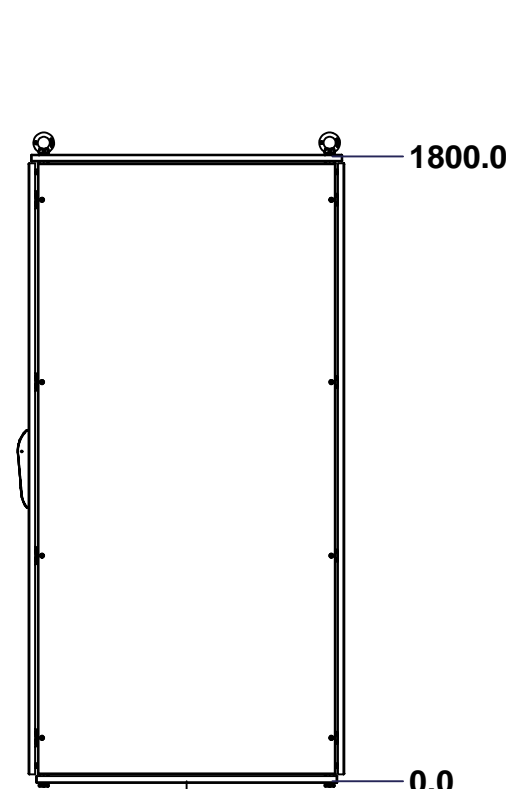
BOTTOM



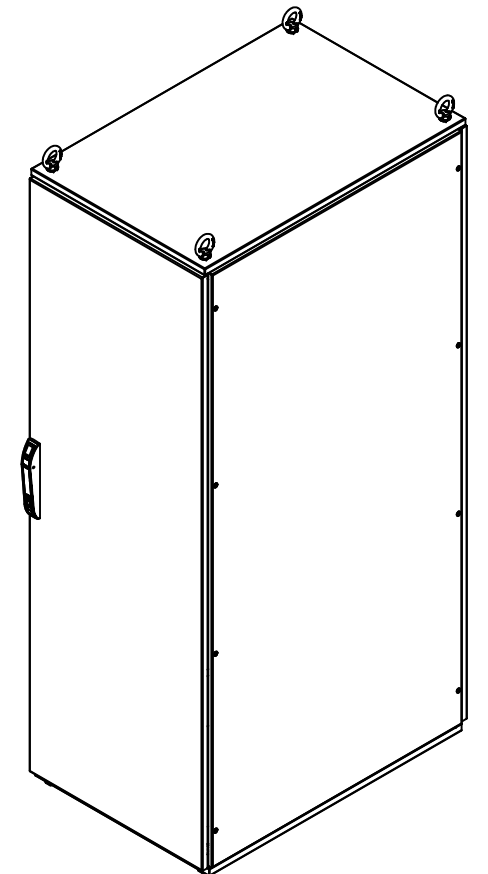
LEFT



FRONT




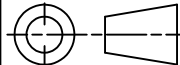
RIGHT



Isometric View



No.	Revisions	Date	By/Par

 Tél: (450) 979-4373 Fax: (450) 979-4626 www.exmweb.com		Flatness Aplatissement Max 3.0mm Projection 
Customer Client	Date	Date
Drawn By Dessiné Par	BoxCad: Annie	Date 10/02/2015
Material Matière	See Part List	
Color Couleur	See Part List	Finish Fini See Part List
Description 6500MX 1800mm x 600mm x 900mm Assembly	Detail Rev.	
Part Number Numéro Pièce	Rev. 0	1 2

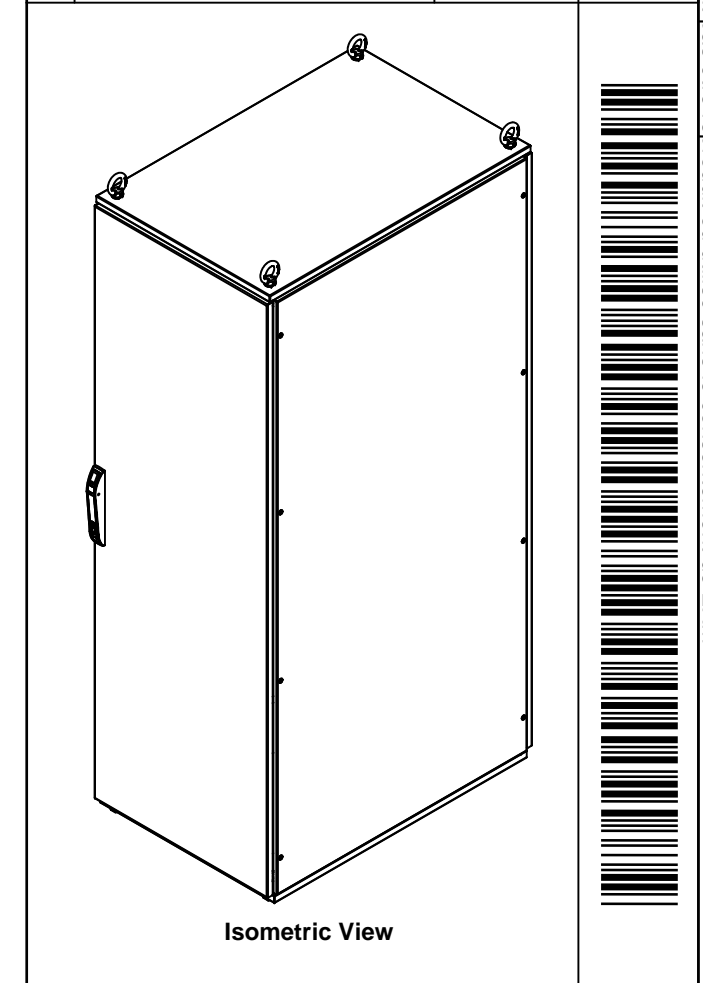
SEE BILL OF MATERIAL ON LAST PAGE


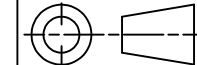
6500MXK180609

This drawing is confidential and must not be reproduced or used without the consent of EXM

Ce dessin est confidentiel et ne doit pas être reproduit ou utilisé sans le consentement de EXM

No.	Revisions	Date	By/Par

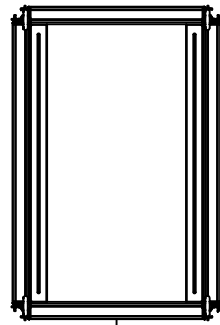


		Tél: (450) 979-4373 Fax: (450) 979-4626 www.exmweb.com		Flatness Aplatissement Max 3.0mm	
Customer Client		Date		Projection 	
Drawn By Dessiné Par		Date			
Material Matière		See Part List			
Color Couleur		See Part List		Finish Fini	
Description		6500MX 1800mm x 600mm x 900mm Assembly		Detail Rev.	
Part Number Numéro Pièce		6500MXK180609		Rev. 2	
Qty		Part Number		Rev. 0	

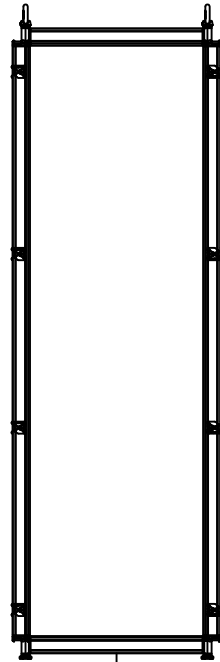
Qty	Part Number	Rev	Description
1	6500MXK180609BIP	0	6500 MXM 1800mm x 600mm Back Inner Panel
1	6500MXK180609R	0	6500 MXC 1800mm x 900mm Right
1	6500MXK180609L	0	6500 MXC 1800mm x 900mm Left
1	6500MXK180609F	0	6500 MXD 1800mm x 600mm Front
1	6500MXK180609B	0	6500 MXR 1800mm x 600mm Back
1	6500MXK180609BT	0	6500 MXB 600mm x 900mm Bottom
1	6500MXK180609T	0	6500 MXT 600mm x 900mm Top
1	6500MXK180609FR	0	6500 MX 1800mm x 600mm x 900mm Frame
Parts List			

This drawing is confidential and must not be reproduced or used without the consent of EXM

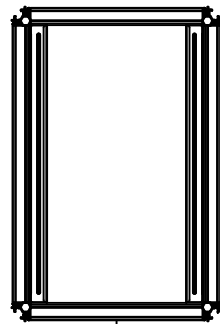
Ce dessin est confidentiel et ne doit pas être reproduit ou utilisé sans le consentement de EXM



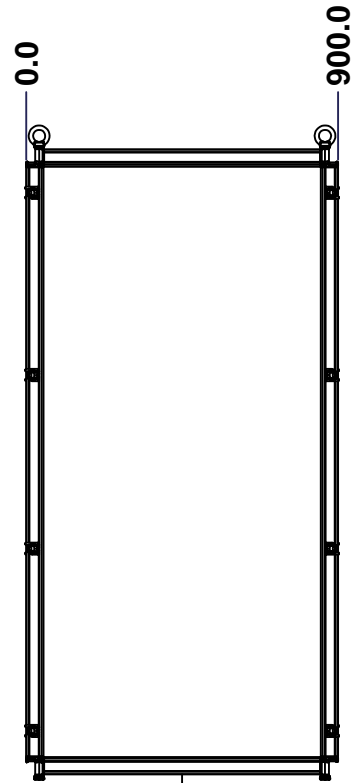
TOP



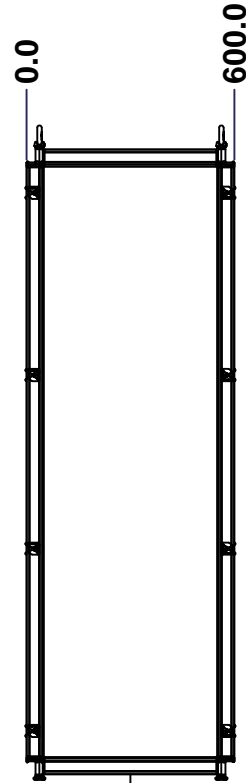
BACK



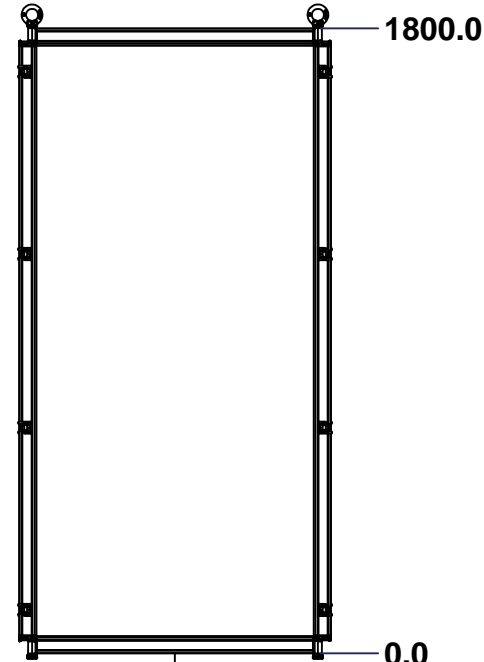
BOTTOM



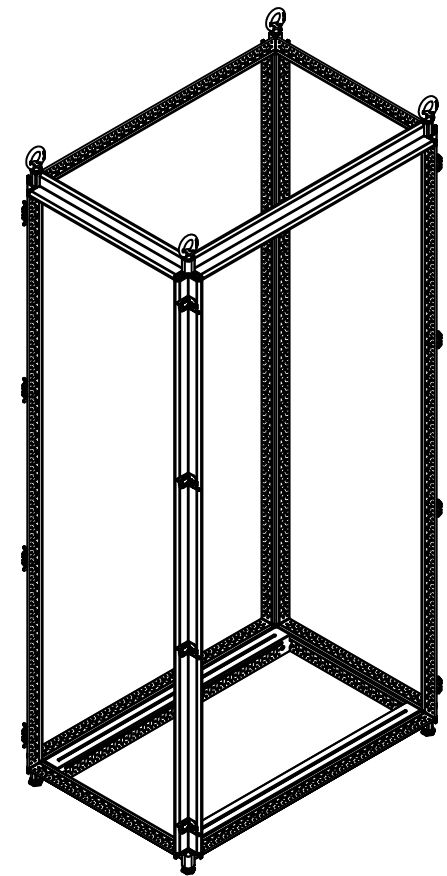
LEFT



FRONT




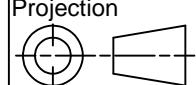
RIGHT



Isometric View



No.	Revisions	Date	By/Par

 Tél: (450) 979-4373 Fax: (450) 979-4626 www.exmweb.com		Flatness Aplatissement Max 3.0mm Projection 
Customer Client	Date	
Drawn By Dessiné Par	BoxCad: Annie	Date 10/02/2015
Material Matière	16 Ga Electro-Galvanized (1.4mm)	
Color Couleur	Iron Grey RAL7011	Finish Fini Rough Textured
Description	Detail Rev.	
6500 MX 1800mm x 600mm x 900mm Frame		
Part Number Numéro Pièce	Rev.	
6500MXK180609FR	0	1 2

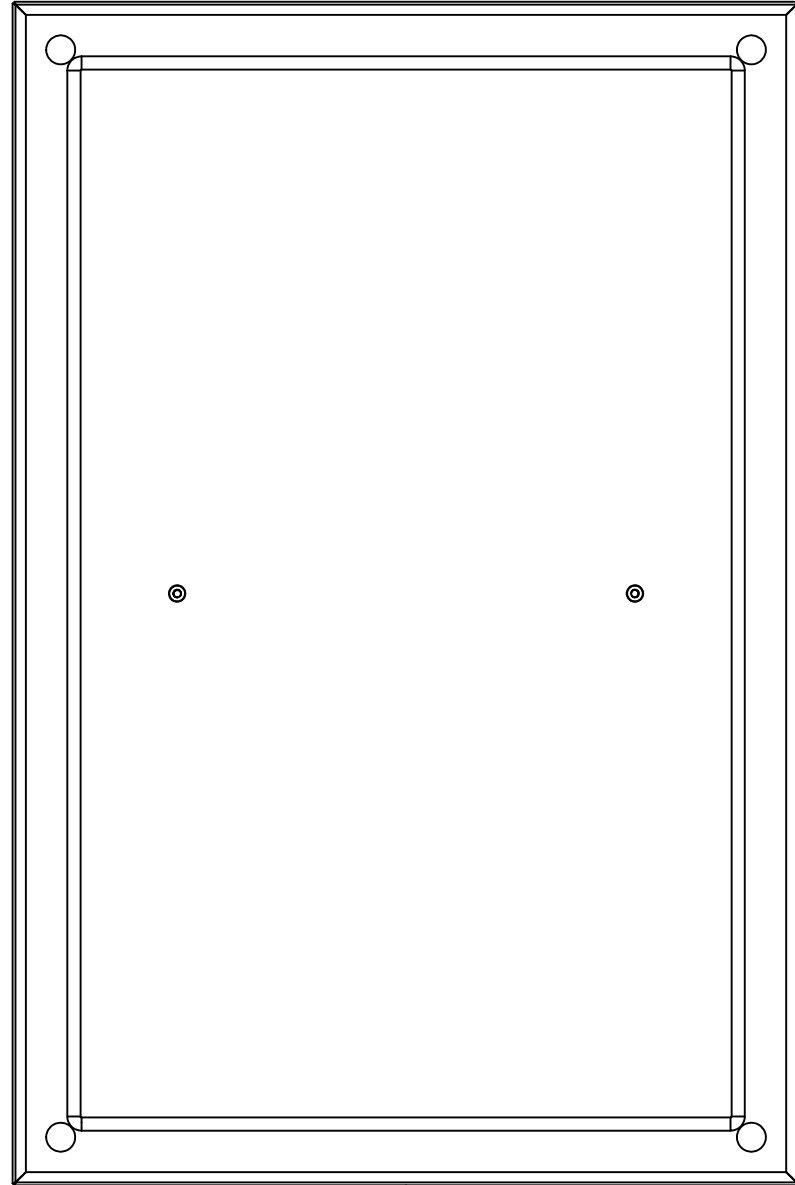
SEE BILL OF MATERIAL ON LAST PAGE

This drawing is confidential and must not be reproduced or used without the consent of EXM

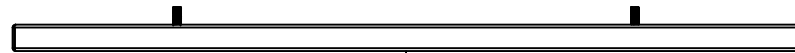
Ce dessin est confidentiel et ne doit pas être reproduit ou utilisé sans le consentement de EXM



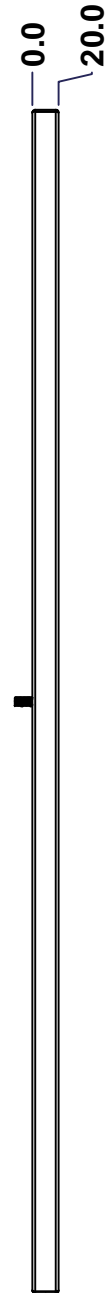
TOP



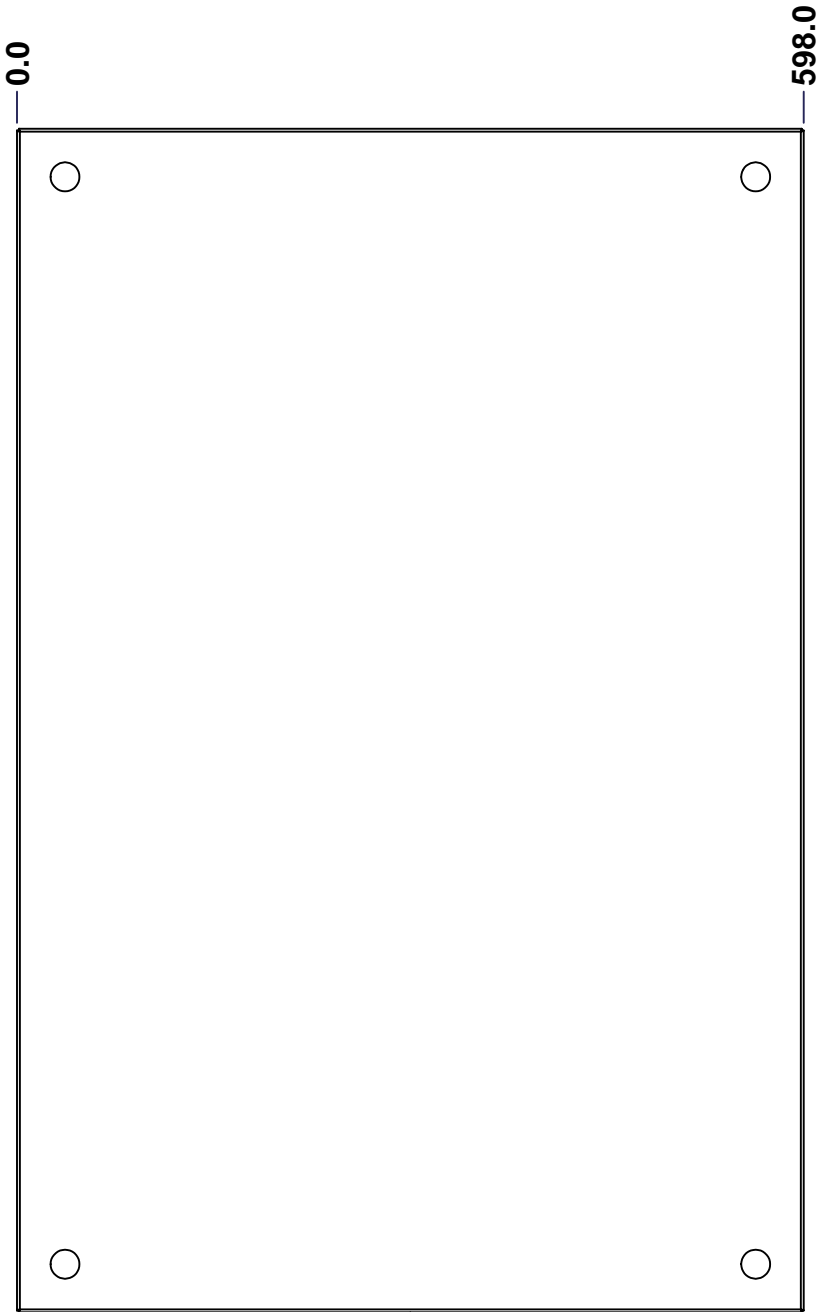
BACK



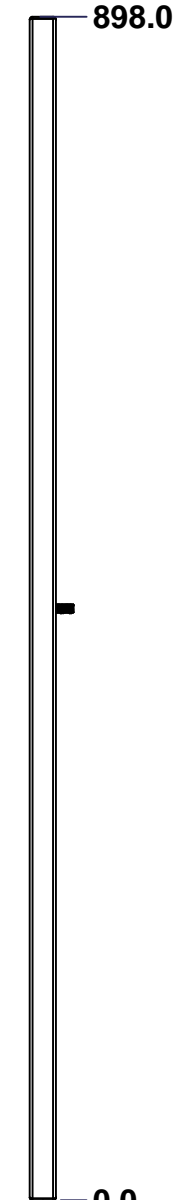
BOTTOM



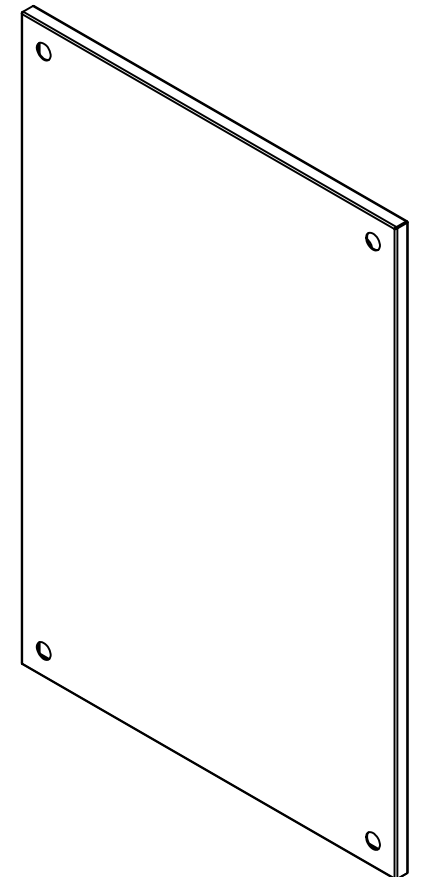
LEFT



FRONT




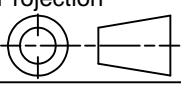
RIGHT



Isometric View



No.	Revisions	Date	By/Par

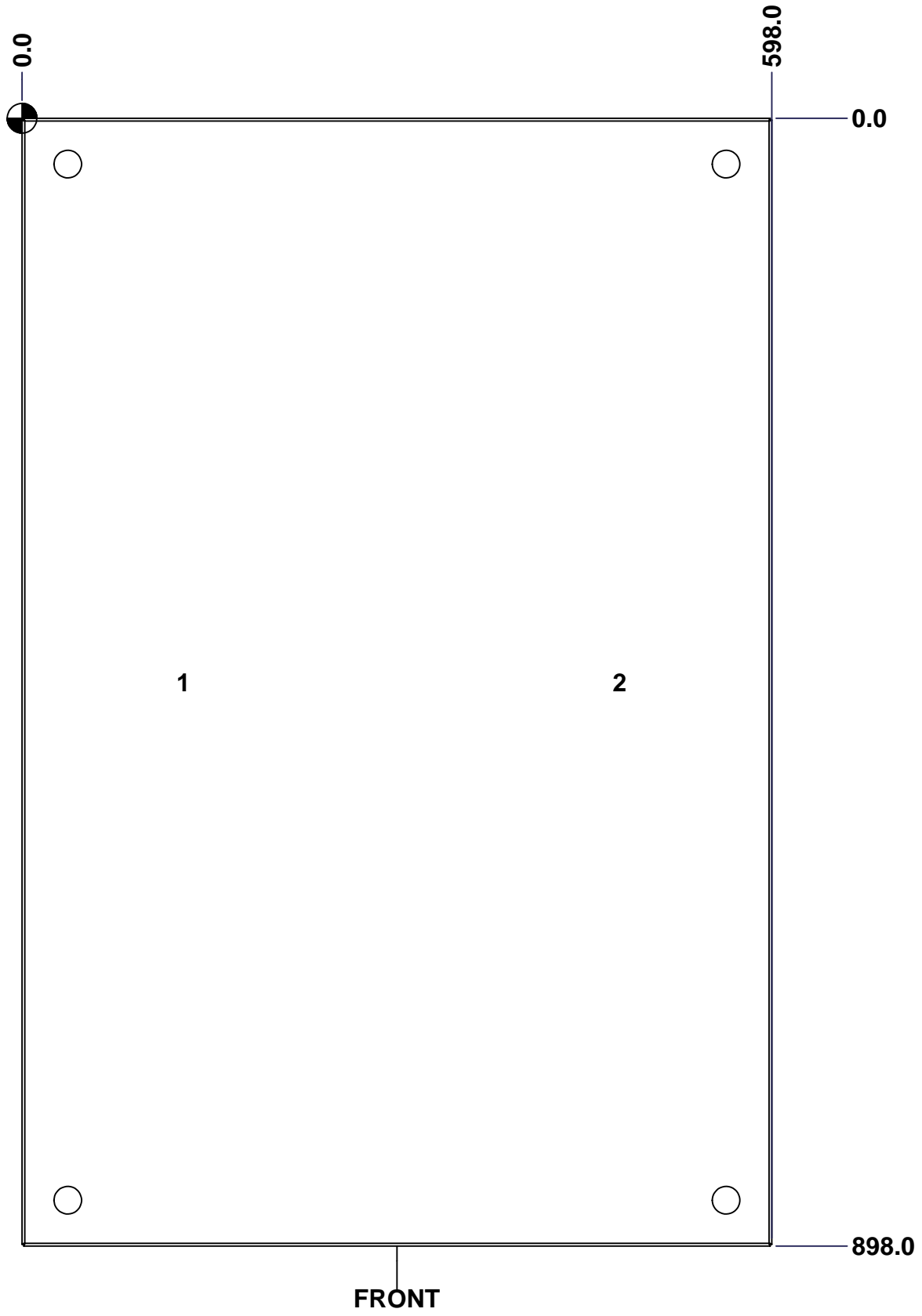
 Tél: (450) 979-4373 Fax: (450) 979-4626 www.exmweb.com		Flatness Aplatissement Max 3.0mm Projection 
Customer Client	Date	
Drawn By Dessiné Par	BoxCad: Annie	Date 10/02/2015
Material Matière	16 Ga H.R.P. & O. (1.4mm)	
Color Couleur	Iron Grey RAL7011	Finish Fini Rough Textured
Description	Detail Rev.	
6500 MXT 600mm x 900mm Top		
Part Number Numéro Pièce	Rev.	1 3
6500MXK180609T	0	

SEE BILL OF MATERIAL ON LAST PAGE

This drawing is confidential and must not be reproduced or used without the consent of EXM

Ce dessin est confidentiel et ne doit pas être reproduit ou utilisé sans le consentement de EXM

STANDARD FEATURES ARE NOT LISTED IN THIS HOLE TABLE			
HOLE TABLE - FRONT VIEW (CUSTOM FEATURE ONLY)			
CUT-OUT	XDIM	YDIM	DESCRIPTION
1	125.0	449.0	GND STUD M6 x 16mm (Inside)
2	473.0	449.0	GND STUD M6 x 16mm (Inside)

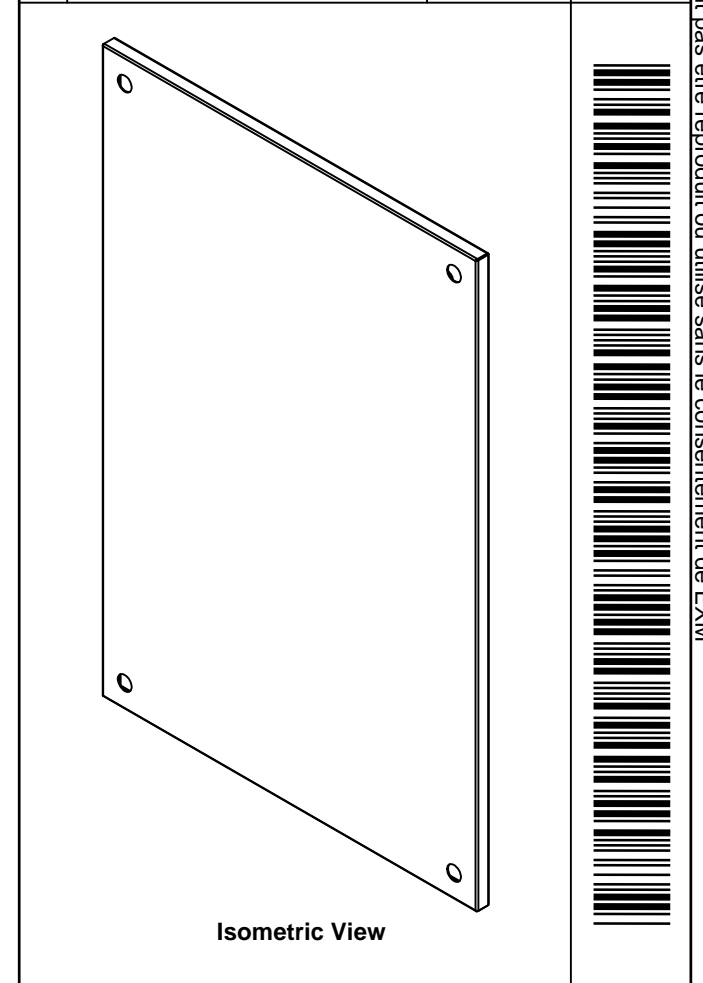


	Description 6500 MXT 600mm x 900mm Top	Status (NULL)
	Part Number Numéro Pièce 6500MXK180609T	Rev. 2 0 / 3

This drawing is confidential and must not be reproduced or used without the consent of EXM

Ce dessin est confidentiel et ne doit pas être reproduit ou utilisé sans le consentement de EXM

No.	Revisions	Date	By/Par

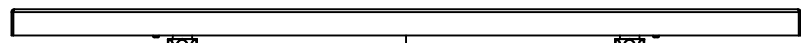


Tél: (450) 979-4373 Fax: (450) 979-4626 www.exmweb.com		Flatness Aplatissement	
		Max 3.0mm Projection	
Customer Client		Date	
Drawn By Dessiné Par BoxCad: Annie		Date 10/02/2015	
Material Matière 16 Ga H.R.P. & O. (1.4mm)			
Color Couleur Iron Grey RAL7011		Finish Fini Rough Textured	
Description 6500 MXT 600mm x 900mm Top			Detail Rev.
Part Number Numéro Pièce 6500MXK180609T			Rev. 3

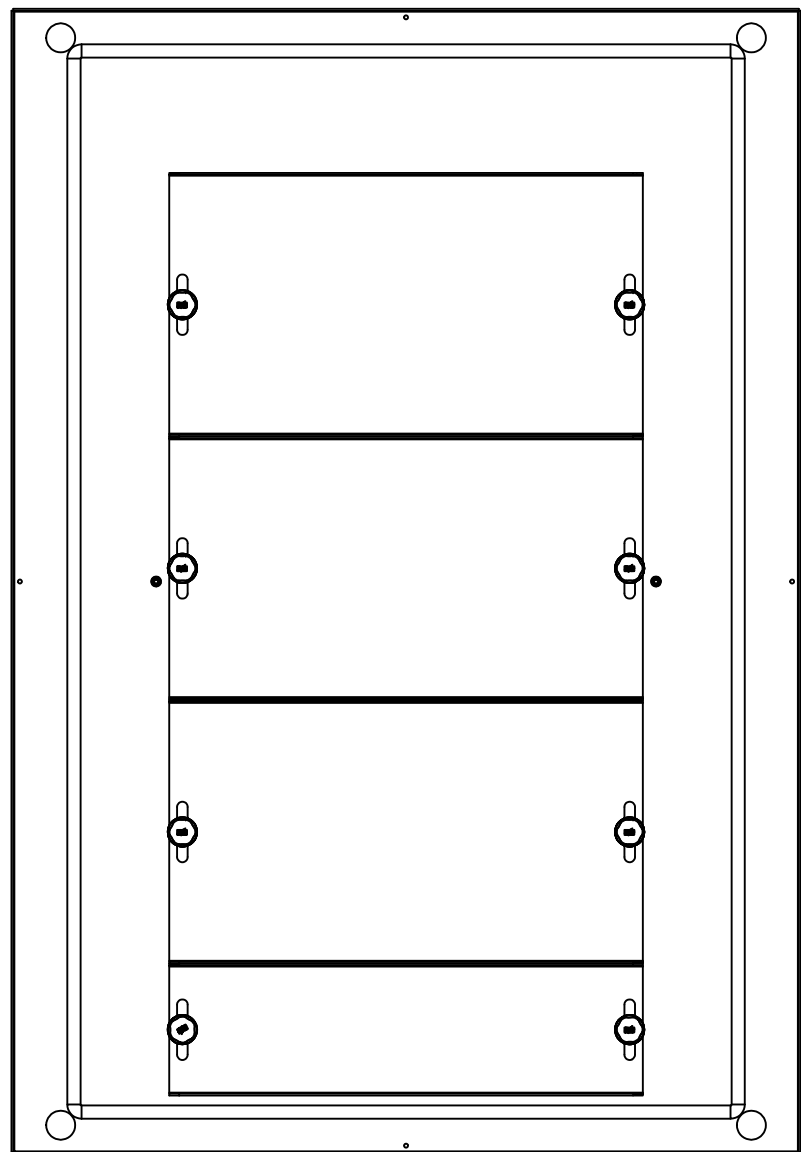
Qty	Part Number	Rev	Description
1	STK-P-03810R	0	Powder Paint (Iron Grey / Rough Textured)
2	STK-Q-16080	0.1.1	M6 x 16mm Ground Stud
1	6500MXK180609TG	0	6500 MXT 600mm x 900mm Top Gasket
1	6500MXK180609T-P	0	6500 MXT 600mm x 900mm Top Part
Parts List			

This drawing is confidential and must not be reproduced or used without the consent of EXM

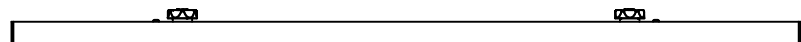
Ce dessin est confidentiel et ne doit pas être reproduit ou utilisé sans le consentement de EXM



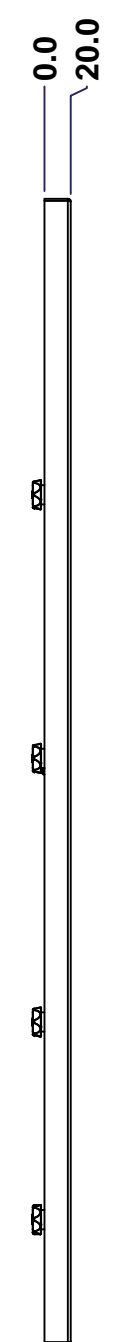
TOP



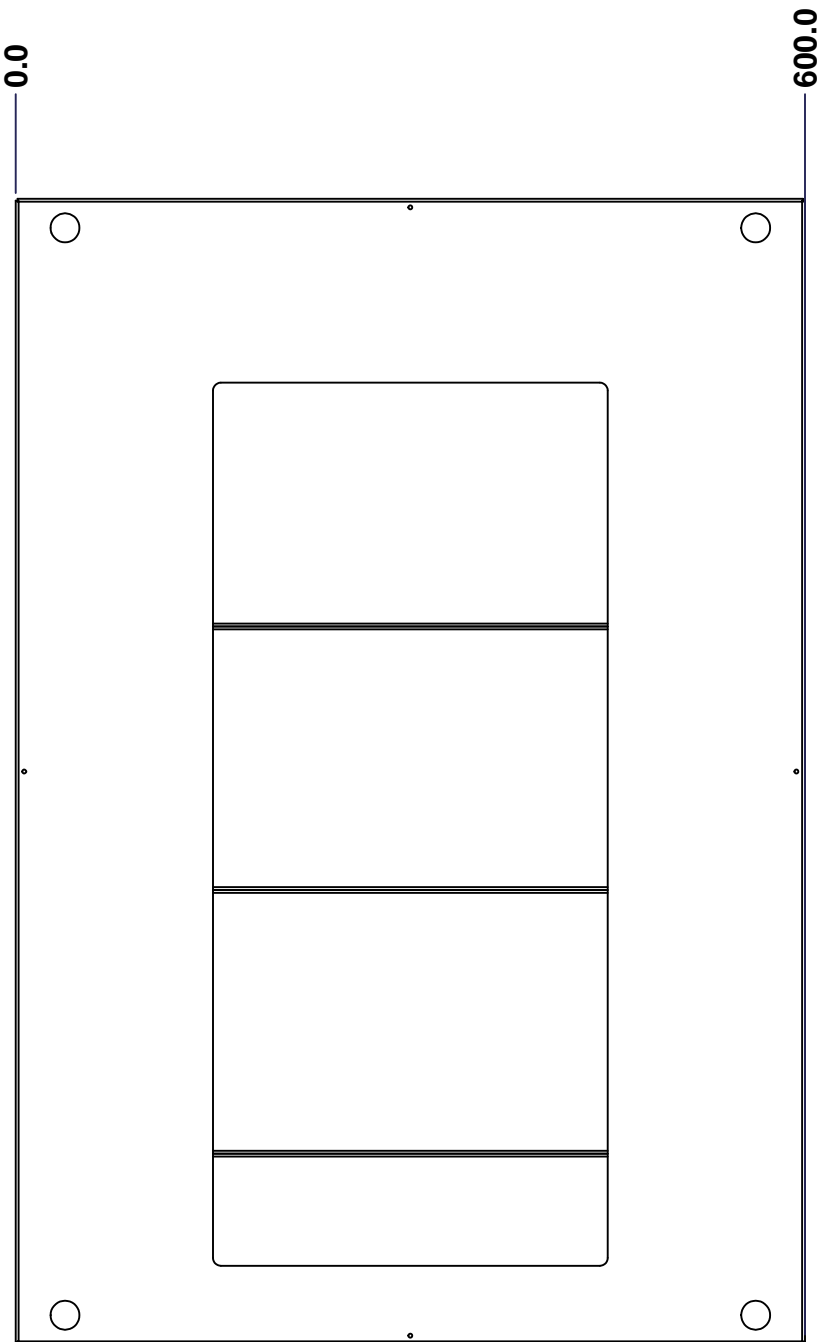
BACK



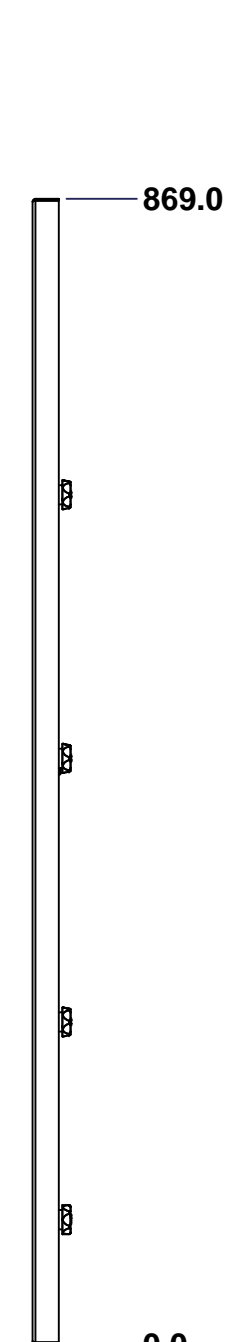
BOTTOM



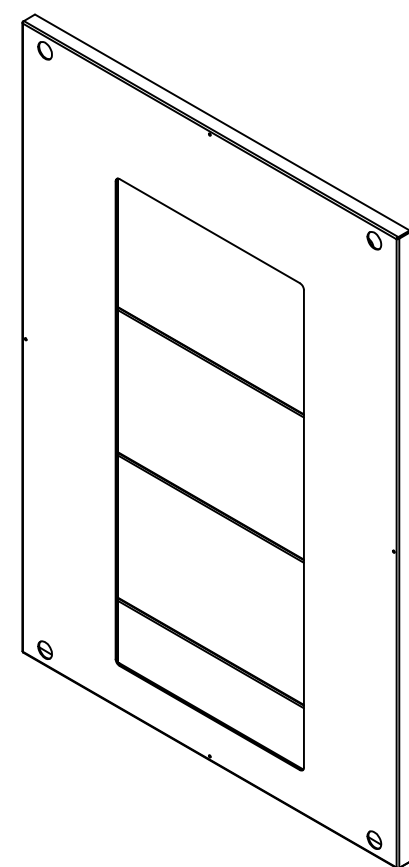
LEFT



FRONT




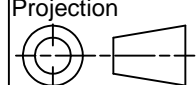
RIGHT



Isometric View



No.	Revisions	Date	By/Par

 Tél: (450) 979-4373 Fax: (450) 979-4626 www.exmweb.com		Flatness Aplatissement Max 3.0mm Projection 
Customer Client	Date	
Drawn By Dessiné Par	BoxCad: Annie	Date 10/02/2015
Material Matière	16 Ga H.R.P. & O. (1.4mm)	
Color Couleur	Iron Grey RAL7011	Finish Fini Rough Textured
Description	Detail Rev.	
6500 MXB 600mm x 900mm Bottom		
Part Number Numéro Pièce	Rev.	1 3
6500MXK180609BT	0	

SEE BILL OF MATERIAL ON LAST PAGE

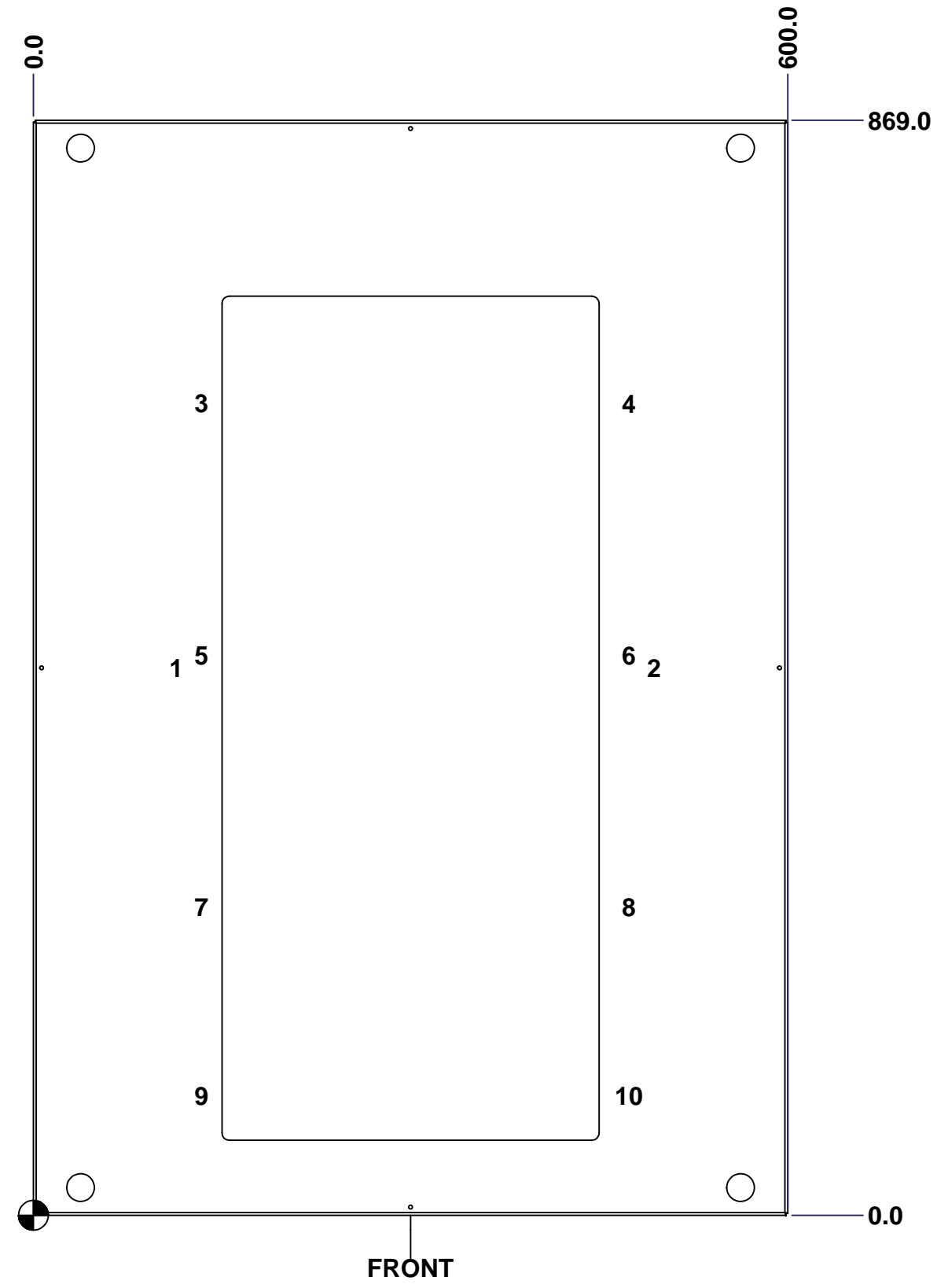
This drawing is confidential and must not be reproduced or used without the consent of EXM

Ce dessin est confidentiel et ne doit pas être reproduit ou utilisé sans le consentement de EXM

STANDARD FEATURES ARE NOT LISTED IN THIS HOLE TABLE

HOLE TABLE - FRONT VIEW (CUSTOM FEATURE ONLY)

CUT-OUT	XDIM	YDIM	DESCRIPTION
1	110.0	434.5	GND STUD M6 x 16mm (Inside)
2	490.0	434.5	GND STUD M6 x 16mm (Inside)
3	130.0	644.5	GP STUD M6 x 10mm (Inside)
4	470.0	644.5	GP STUD M6 x 10mm (Inside)
5	130.0	444.5	GP STUD M6 x 10mm (Inside)
6	470.0	444.5	GP STUD M6 x 10mm (Inside)
7	130.0	244.5	GP STUD M6 x 10mm (Inside)
8	470.0	244.5	GP STUD M6 x 10mm (Inside)
9	130.0	94.5	GP STUD M6 x 10mm (Inside)
10	470.0	94.5	GP STUD M6 x 10mm (Inside)

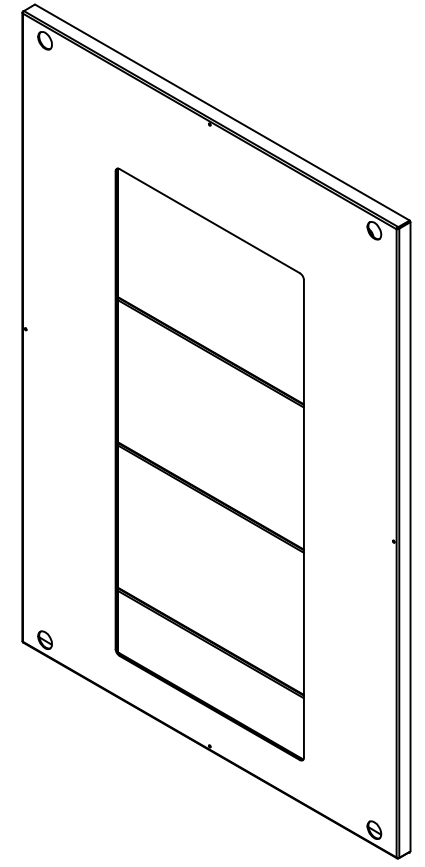


	Description	Status
	6500 MXB 600mm x 900mm Bottom	(NULL)
	Part Number	Rev.
	Numéro Pièce	2
	6500MXK180609BT	0
		3

This drawing is confidential and must not be reproduced or used without the consent of EXM


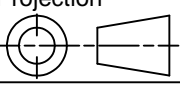
Ce dessin est confidentiel et ne doit pas être reproduit ou utilisé sans le consentement de EXM

No.	Revisions	Date	By/Par



Isometric View

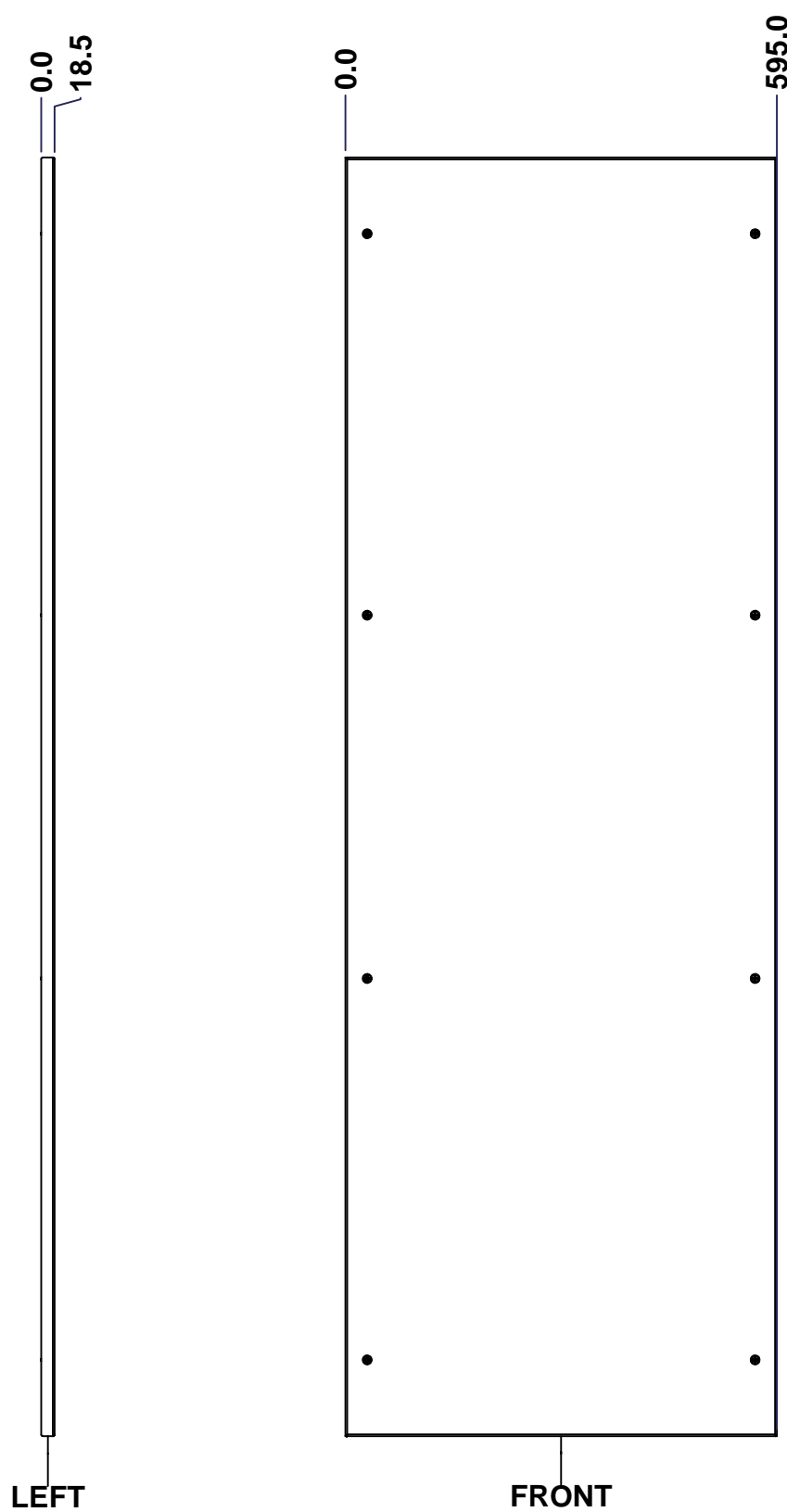
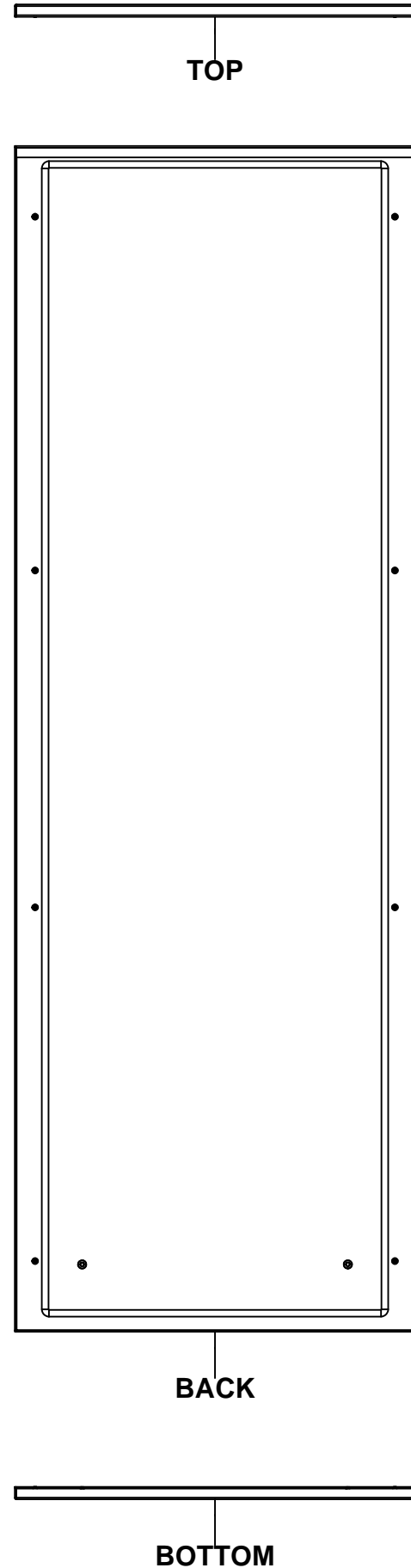


 Tél: (450) 979-4373 Fax: (450) 979-4626 www.exmweb.com		Flatness Aplatissement Max 3.0mm Projection 
Customer Client	Date	Date 10/02/2015
Drawn By Dessiné Par	BoxCad: Annie	
Material Matière	16 Ga H.R.P. & O. (1.4mm)	
Color Couleur	Iron Grey RAL7011	Finish Fini Rough Textured
Description	Detail Rev.	
6500 MXB 600mm x 900mm Bottom		
Part Number Numéro Pièce	Rev.	3
6500MXK180609BT	0	3

Qty	Part Number	Rev	Description
1	STK-P-03810R	0	Powder Paint (Iron Grey / Rough Textured)
8	STK-Q-06001	0	Mtrx - Gland Plate M6 Plastic Thumb Nut
2	STK-Q-16055	1	M6 x 18mm Stud (No Paint Cap Required)
1	6500MXK180609GP100-P	0	6500 MXB 600mm Gland Plate Part (100mm)
3	6500MXK180609GP200-P	0	6500 MXB 600mm Gland Plate Part (200mm)
8	STK-Q-16031	0	M6 x 10mm Stud (No Paint Cap Required)
1	6500MXK180609BTGPG	0	6500 MXB 600mm x 900mm Bottom Gland Plate Gasket
1	6500MXK180609BTG	0	6500 MXB 600mm x 900mm Bottom Gasket
1	6500MXK180609BT-P	0	6500 MXB 600mm x 900mm Bottom Part
Parts List			

This drawing is confidential and must not be reproduced or used without the consent of EXM

Ce dessin est confidentiel et ne doit pas être reproduit ou utilisé sans le consentement de EXM



No.	Revisions	Date	By/Par

Isometric View

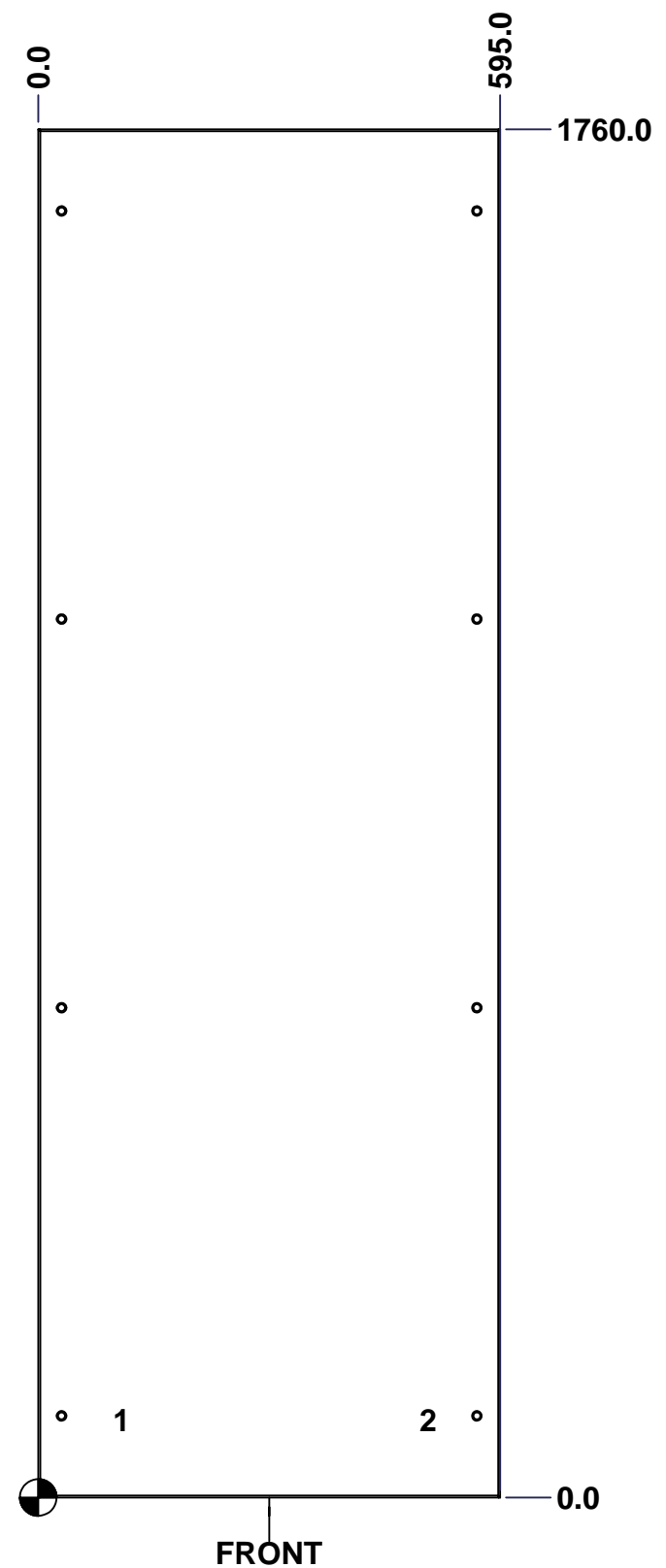
		Flatness Aplatissement Max 3.0mm	
Tél: (450) 979-4373 Fax: (450) 979-4626 www.exmweb.com		Projection 	
Customer Client		Date	
Drawn By / Dessiné Par: BoxCad: Annie		Date: 10/02/2015	
Material / Matière: 14 Ga H.R.P. & O. (1.7mm)		Finish / Fini: Rough / Textured	
Color / Couleur: Light Grey RAL7035		Description: 6500 MXR 1800mm x 600mm Back	
Part Number / Numéro Pièce: 6500MXK180609B		Detail Rev. / Rev. 1	
		Rev. 0 / 3	

SEE BILL OF MATERIAL ON LAST PAGE

This drawing is confidential and must not be reproduced or used without the consent of EXM

Ce dessin est confidentiel et ne doit pas être reproduit ou utilisé sans le consentement de EXM

STANDARD FEATURES ARE NOT LISTED IN THIS HOLE TABLE			
HOLE TABLE - FRONT VIEW (CUSTOM FEATURE ONLY)			
CUT-OUT	XDIM	YDIM	DESCRIPTION
1	100.0	100.0	GND STUD M6 x 16mm (Inside)
2	495.0	100.0	GND STUD M6 x 16mm (Inside)

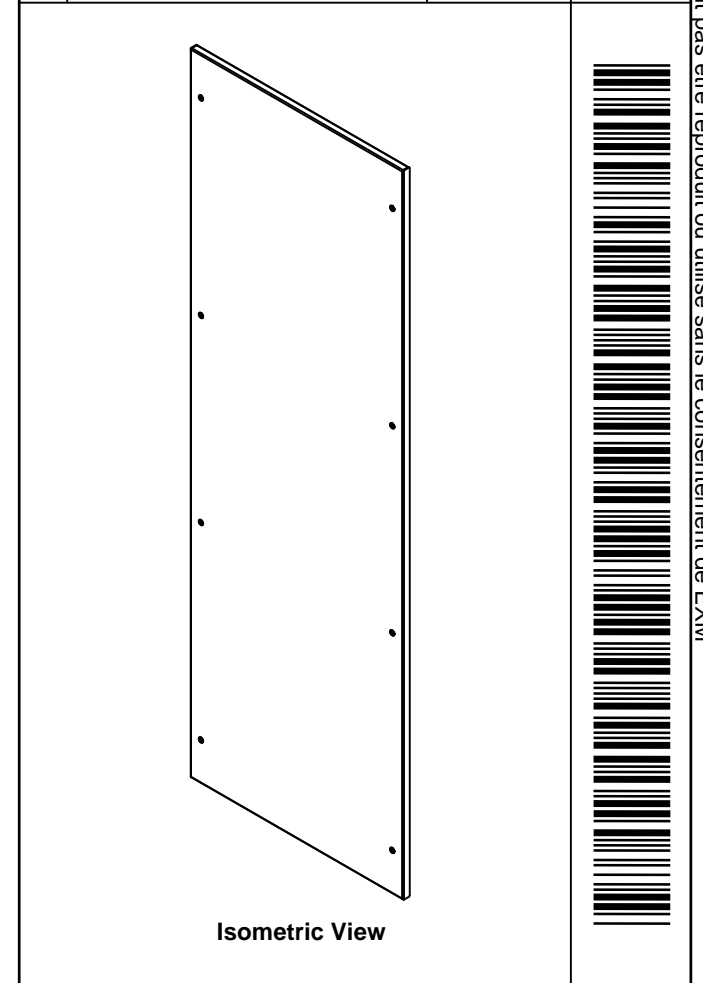



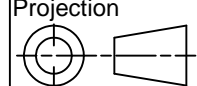
	Description	Status
	6500 MXR 1800mm x 600mm Back	(NULL)
	Part Number Numéro Pièce	Rev.
	6500MXK180609B	0
		2
		3

This drawing is confidential and must not be reproduced or used without the consent of EXM

Ce dessin est confidentiel et ne doit pas être reproduit ou utilisé sans le consentement de EXM

No.	Revisions	Date	By/Par



 Tél: (450) 979-4373 Fax: (450) 979-4626 www.exmweb.com		Flatness Aplatissement Max 3.0mm Projection 	
Customer Client		Date	
Drawn By / Dessiné Par: BoxCad: Annie		Date: 10/02/2015	
Material / Matière: 14 Ga H.R.P. & O. (1.7mm)			
Color / Couleur: Light Grey RAL7035		Finish / Fini: Rough Textured	
Description: 6500 MXR 1800mm x 600mm Back			Detail Rev.
Part Number / Numéro Pièce: 6500MXK180609B			Rev. 3

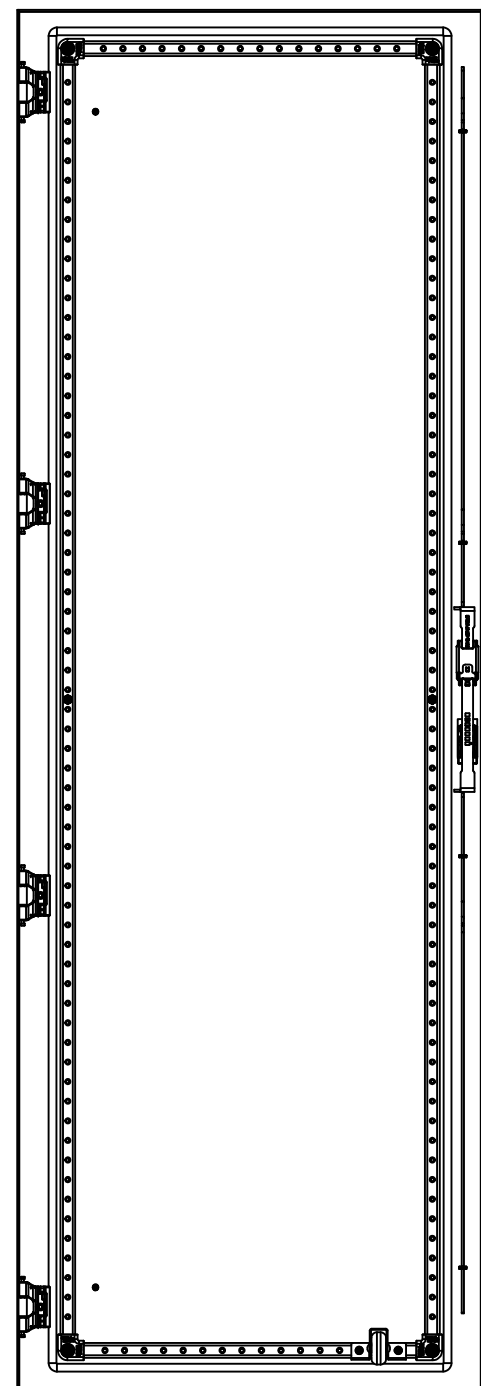
Qty	Part Number	Rev	Description
1	STK-P-03820R	0	Powder Paint (Light Grey / Rough Textured)
8	STK-Q-03072	2	M6 x 17mm Phillips Flat Head Screw
2	STK-Q-16080	0.1.1	M6 x 16mm Ground Stud
1	6500MXK180609BG	0	6500 MXR 1800mm x 600mm Back Gasket
1	6500MXK180609B-P	0	6500 MXR 1800mm x 600mm Back Part
Parts List			

This drawing is confidential and must not be reproduced or used without the consent of EXM

Ce dessin est confidentiel et ne doit pas être reproduit ou utilisé sans le consentement de EXM



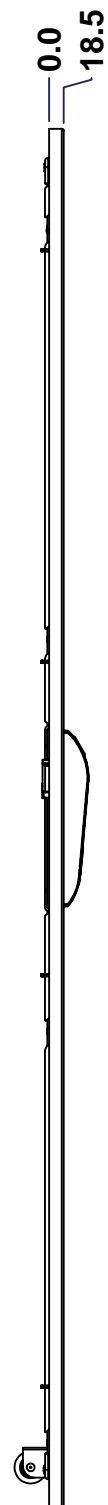
TOP



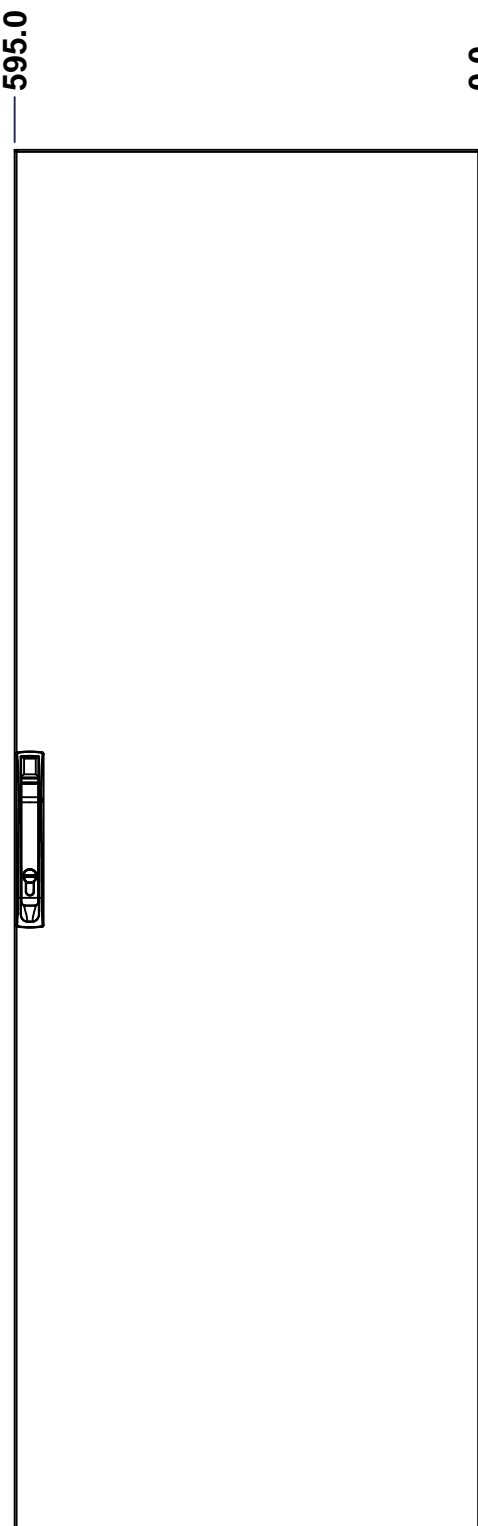
BACK



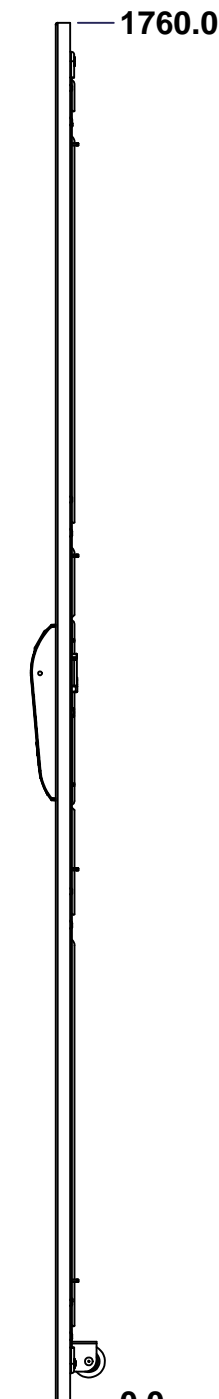
BOTTOM



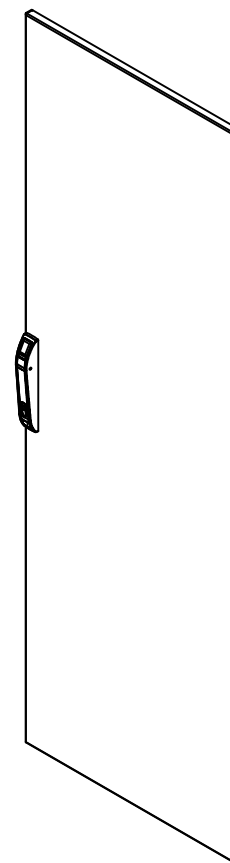
LEFT



FRONT




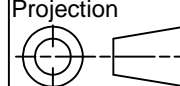
RIGHT



Isometric View



No.	Revisions	Date	By/Par

 Tél: (450) 979-4373 Fax: (450) 979-4626 www.exmweb.com		Flatness Aplatissement Max 3.0mm Projection 
Customer Client	Date	
Drawn By Dessiné Par	BoxCad: Annie	Date 10/02/2015
Material Matière	14 Ga H.R.P. & O. (1.7mm)	
Color Couleur	Light Grey RAL7035	Finish Fin Rough Textured
Description		Detail Rev.
6500 MXD 1800mm x 600mm Front		
Part Number Numéro Pièce	Rev.	1 3
6500MXK180609F		0

SEE BILL OF MATERIAL ON LAST PAGE

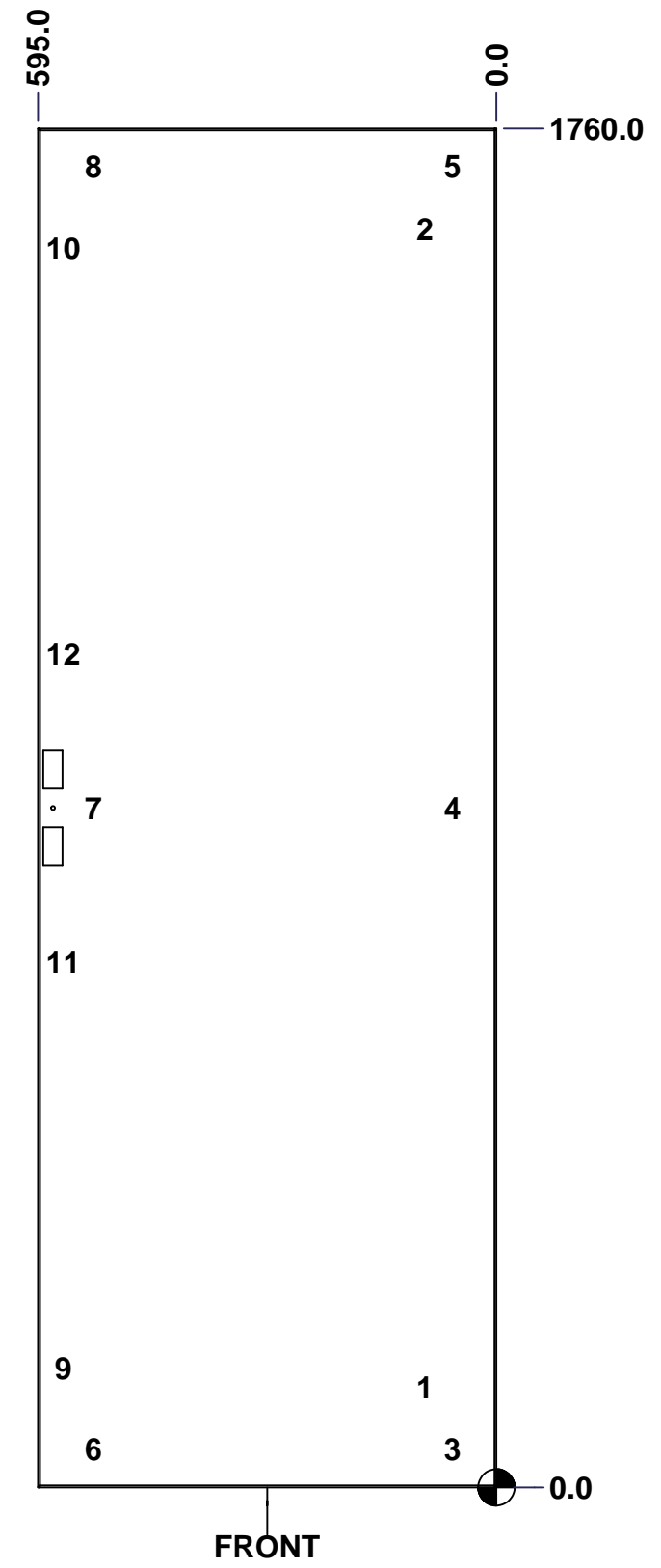
This drawing is confidential and must not be reproduced or used without the consent of EXM

Ce dessin est confidentiel et ne doit pas être reproduit ou utilisé sans le consentement de EXM

STANDARD FEATURES ARE NOT LISTED IN THIS HOLE TABLE

HOLE TABLE - FRONT VIEW (CUSTOM FEATURE ONLY)

CUT-OUT	XDIM	YDIM	DESCRIPTION
1	100.0	130.0	GND STUD M6 x 16mm (Inside)
2	100.0	1630.0	GND STUD M6 x 16mm (Inside)
3	64.5	49.5	STIFF. STUD M6 x 18mm (Inside)
4	64.5	880.0	STIFF. STUD M6 x 18mm (Inside)
5	64.5	1710.5	STIFF. STUD M6 x 18mm (Inside)
6	530.5	49.5	STIFF. STUD M6 x 18mm (Inside)
7	530.5	880.0	STIFF. STUD M6 x 18mm (Inside)
8	530.5	1710.5	STIFF. STUD M6 x 18mm (Inside)
9	569.5	155.0	CLOSING BAR GUIDE (Inside)
10	569.5	1605.0	CLOSING BAR GUIDE (Inside)
11	569.5	680.0	CLOSING BAR GUIDE (Inside)
12	569.5	1080.0	CLOSING BAR GUIDE (Inside)

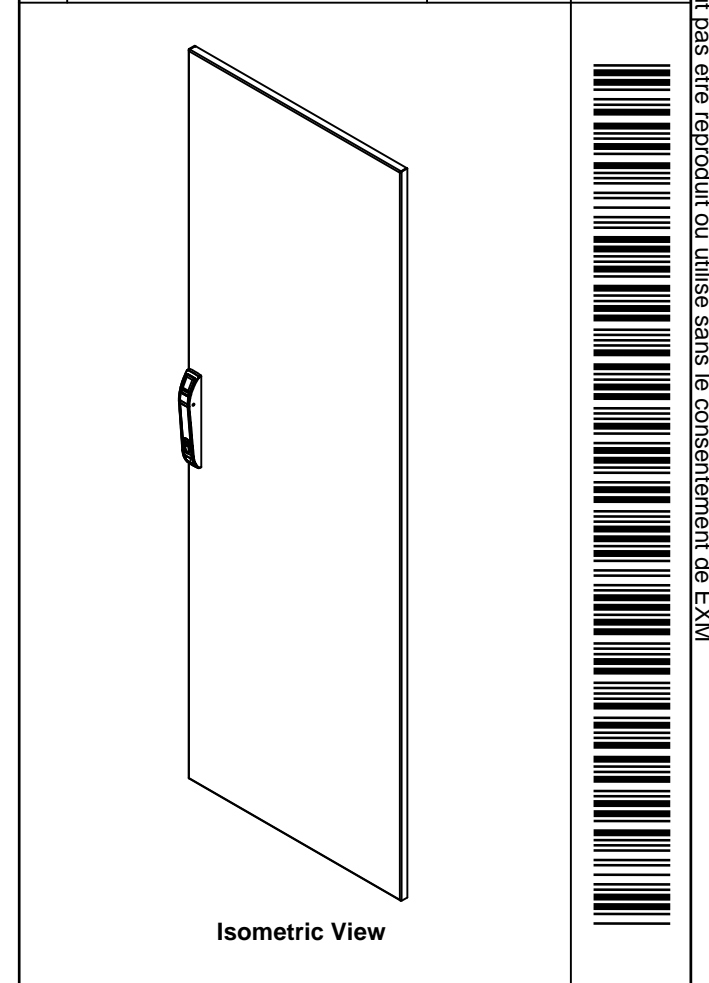


	Description	Status
	6500 MXD 1800mm x 600mm Front	(NULL)
	Part Number Numéro Pièce	Rev.
	6500MXK180609F	0 / 2 / 3


This drawing is confidential and must not be reproduced or used without the consent of EXM

Ce dessin est confidentiel et ne doit pas être reproduit ou utilisé sans le consentement de EXM

No.	Revisions	Date	By/Par



1	STK-P-03820R	0	Powder Paint (Light Grey / Rough Textured)
1	6500MXSRK	1	6500 MXRSK Door Support Roller
4	STK-Q-78022	0	Mtrx Closing Bar Slider
1	STK-Q-45746-18	1	6500 MXD - Lock Door Closing Bar
4	STK-Q-33105	4	5412 ESBU Buttable Hinge (Cover Part)
1	STK-Q-45729-18	2	6500 MXD - Lock Door Top Closing Bar
1	886PHD-S	4	Euroform Pull Handle Kit
8	STK-Q-16055	1	M6 x 18mm Stud (No Paint Cap Required)
1	6500MXK180609DS1	5	6500 MX 1800mm x 600mm Door Stiffener
1	6500MXK180609FG	0	6500 MXD 1800mm x 600mm Front Gasket
1	6500MXK180609F-P	0	6500 MXD 1800mm x 600mm Front Part
4	STK-K-06811	1	6500 MX - Hinge Assy
Qty	Part Number	Rev	Description
Parts List			

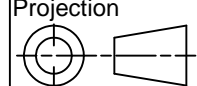


Tél: (450) 979-4373
Fax: (450) 979-4626
www.exmweb.com

Flatness
Aplatissement

Max 3.0mm

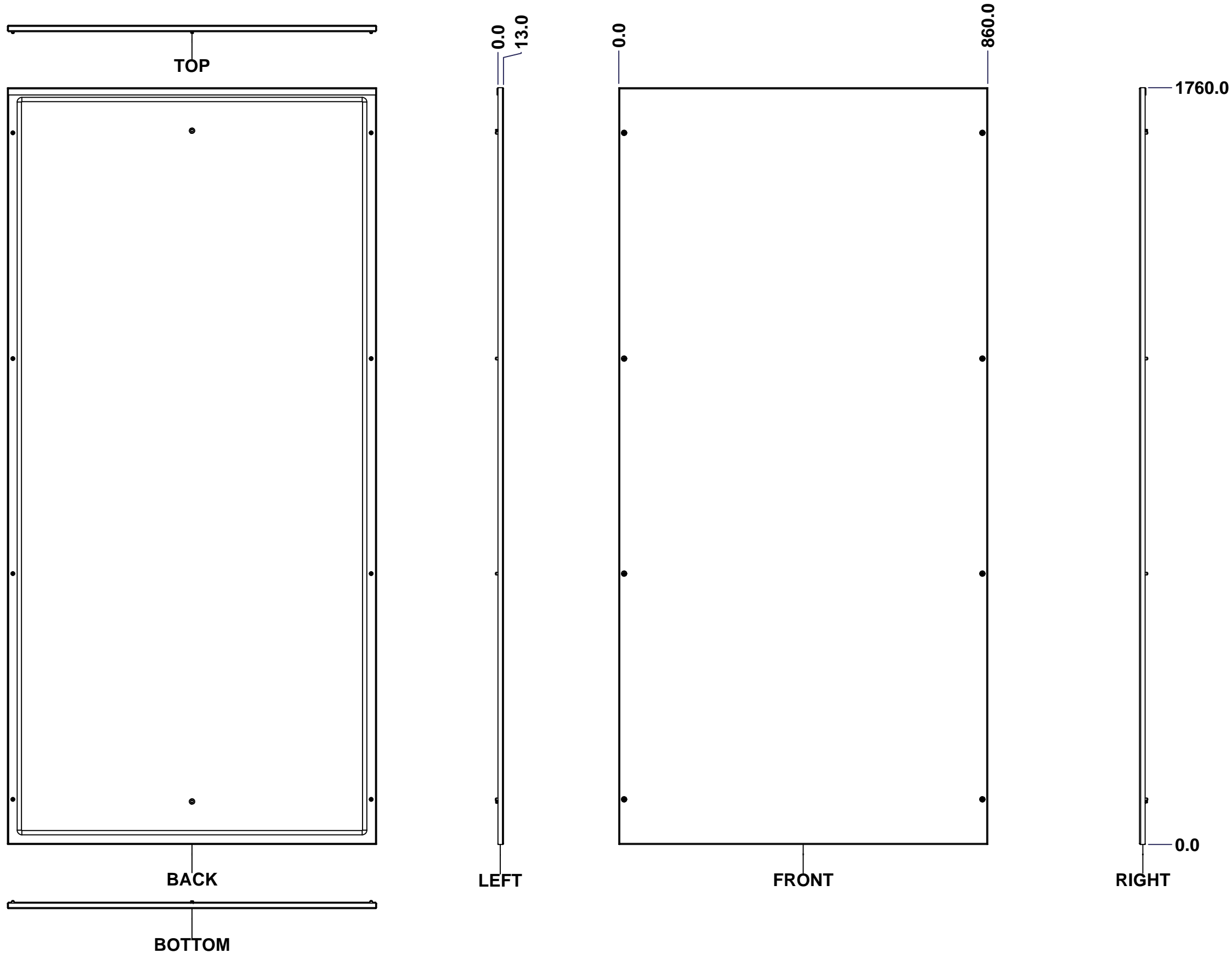
Projection



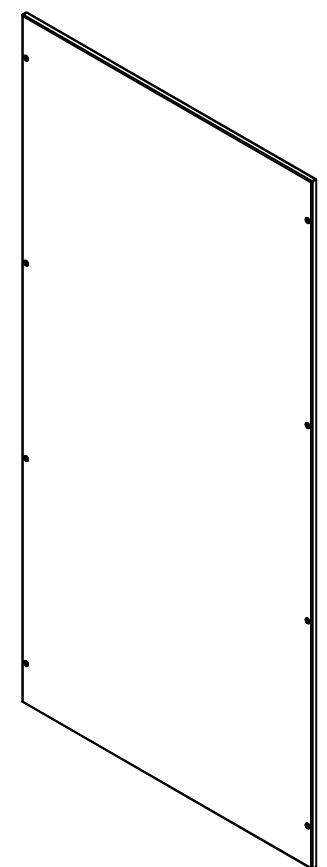
Customer Client	Date
Drawn By / Dessiné Par: BoxCad: Annie	Date: 10/02/2015
Material / Matière: 14 Ga H.R.P. & O. (1.7mm)	
Color / Couleur: Light Grey RAL7035	Finish / Fini: Rough Textured
Description: 6500 MXD 1800mm x 600mm Front	Detail Rev.
Part Number / Numéro Pièce: 6500MXK180609F	Rev. 3
	0 / 3

This drawing is confidential and must not be reproduced or used without the consent of EXM

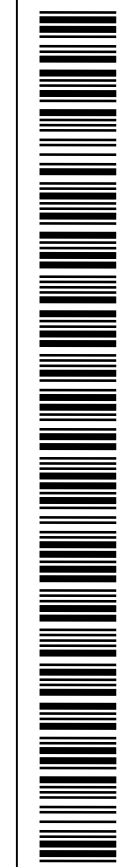
Ce dessin est confidentiel et ne doit pas être reproduit ou utilisé sans le consentement de EXM


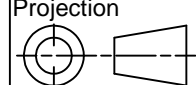


No.	Revisions	Date	By/Par



Isometric View



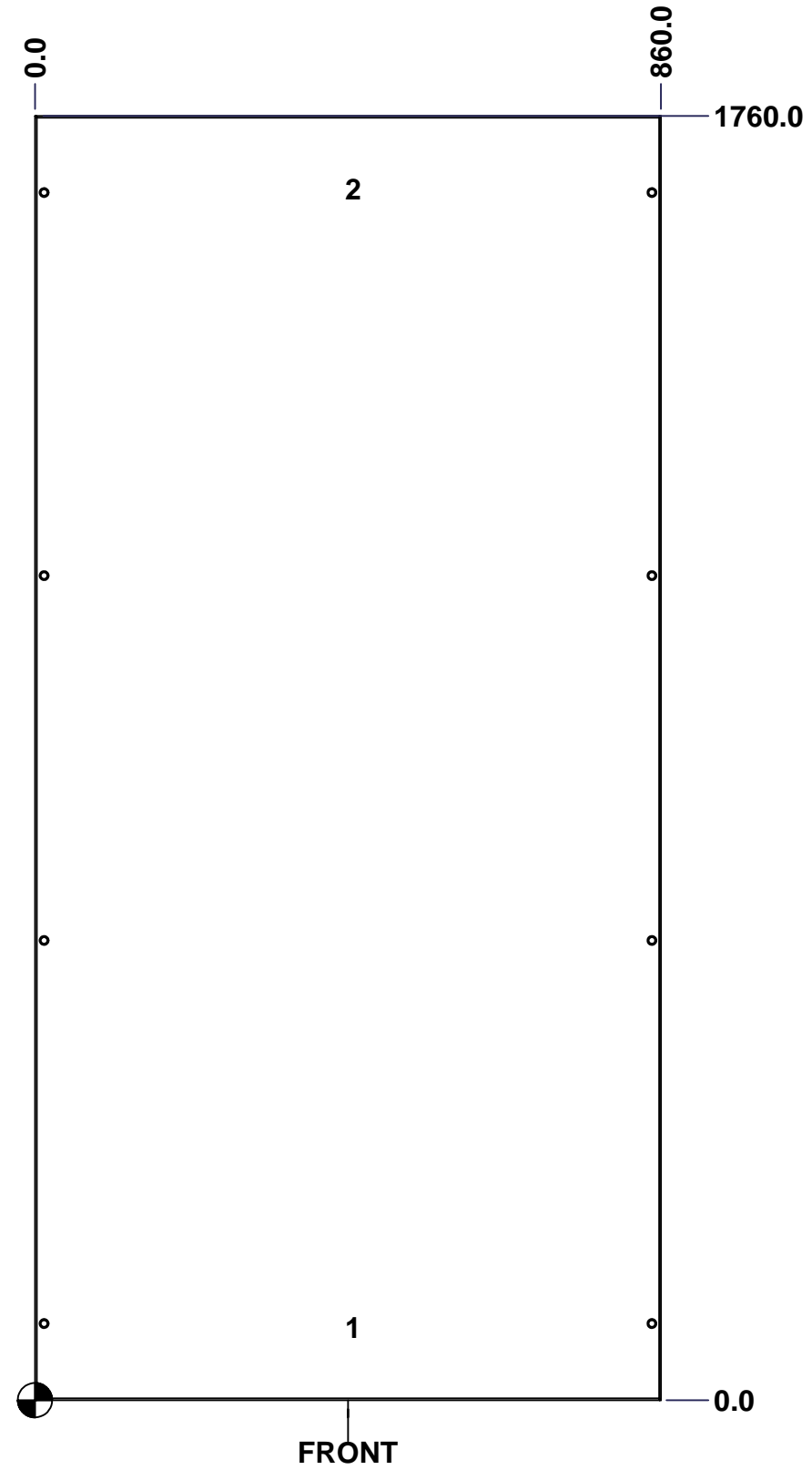
 Tél: (450) 979-4373 Fax: (450) 979-4626 www.exmweb.com		Flatness Aplatissement	
		Max 3.0mm	
Customer Client		Projection	
Date			
Drawn By Dessiné Par		Date	
BoxCad: Annie		10/02/2015	
Material Matière		14 Ga H.R.P. & O. (1.7mm)	
Color Couleur		Finish Fini	
Light Grey RAL7035		Rough Textured	
Description		Detail Rev.	
6500 MXC 1800mm x 900mm Left			
Part Number Numéro Pièce		Rev.	
6500MXK180609L		0	
		1	
		3	

SEE BILL OF MATERIAL ON LAST PAGE

This drawing is confidential and must not be reproduced or used without the consent of EXM

Ce dessin est confidentiel et ne doit pas être reproduit ou utilisé sans le consentement de EXM

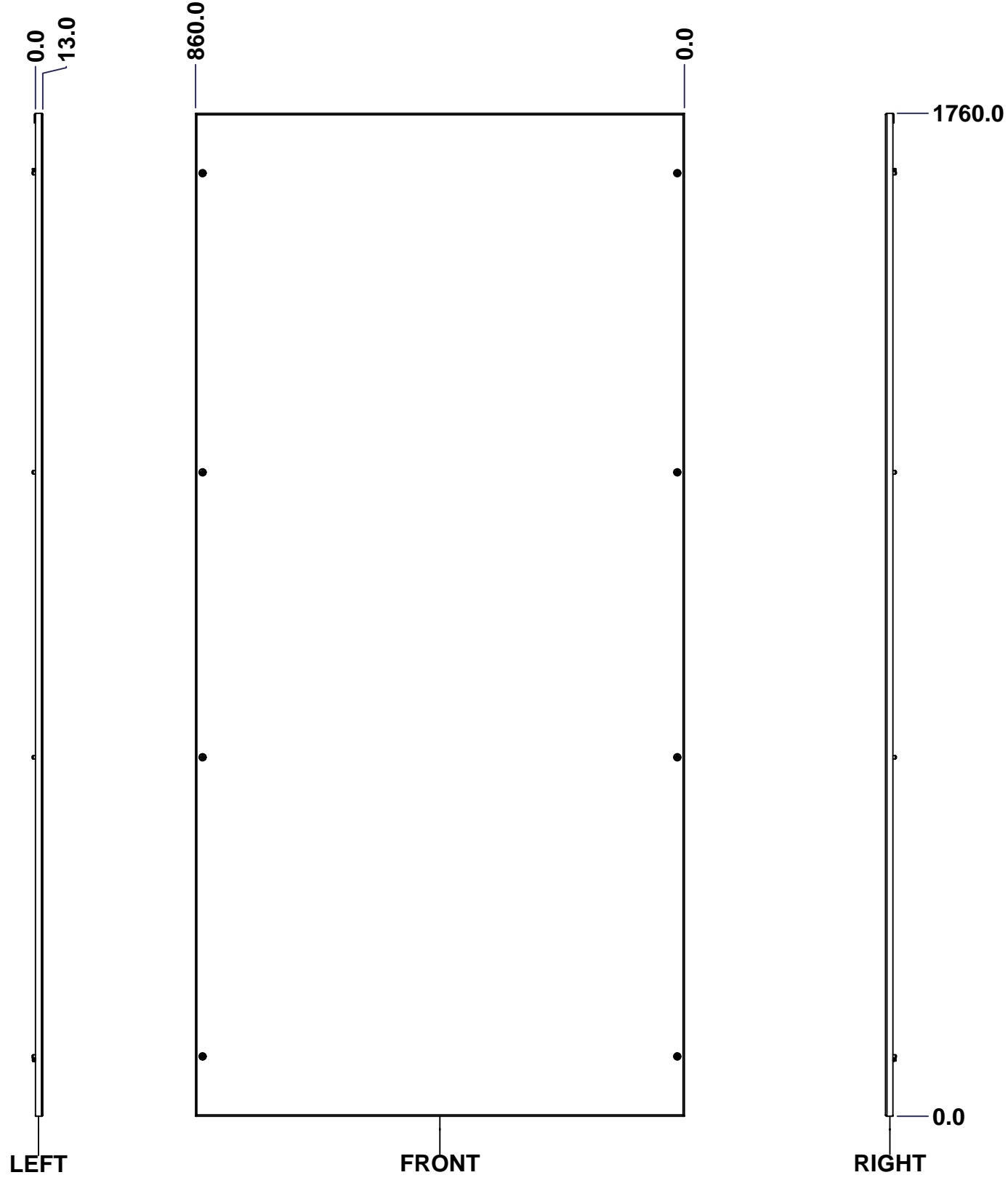
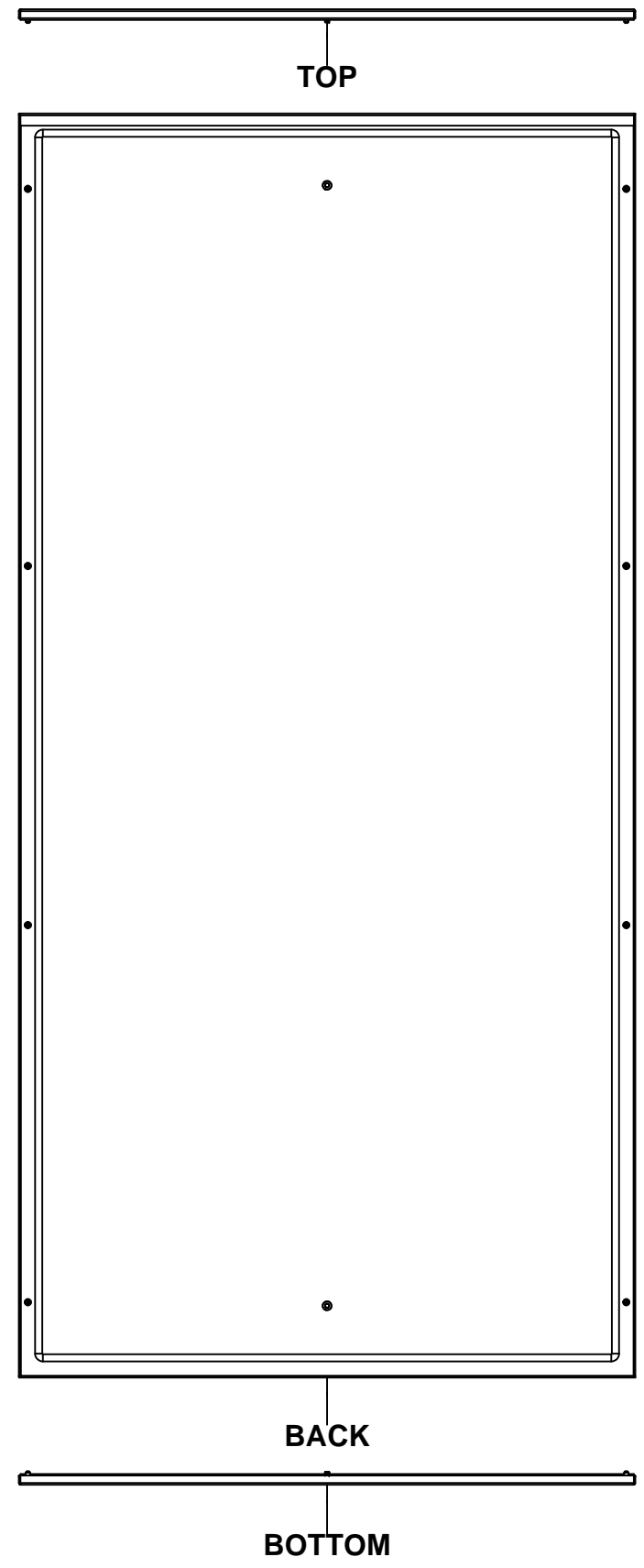
STANDARD FEATURES ARE NOT LISTED IN THIS HOLE TABLE			
HOLE TABLE - FRONT VIEW (CUSTOM FEATURE ONLY)			
CUT-OUT	XDIM	YDIM	DESCRIPTION
1	430.0	100.0	GND STUD M6 x 16mm (Inside)
2	430.0	1660.0	GND STUD M6 x 16mm (Inside)



	Description	Status
	6500 MXC 1800mm x 900mm Left	(NULL)
	Part Number Numéro Pièce	Rev.
	6500MXK180609L	0
		2
		3

This drawing is confidential and must not be reproduced or used without the consent of EXM

Ce dessin est confidentiel et ne doit pas être reproduit ou utilisé sans le consentement de EXM



No.	Revisions	Date	By/Par

Isometric View

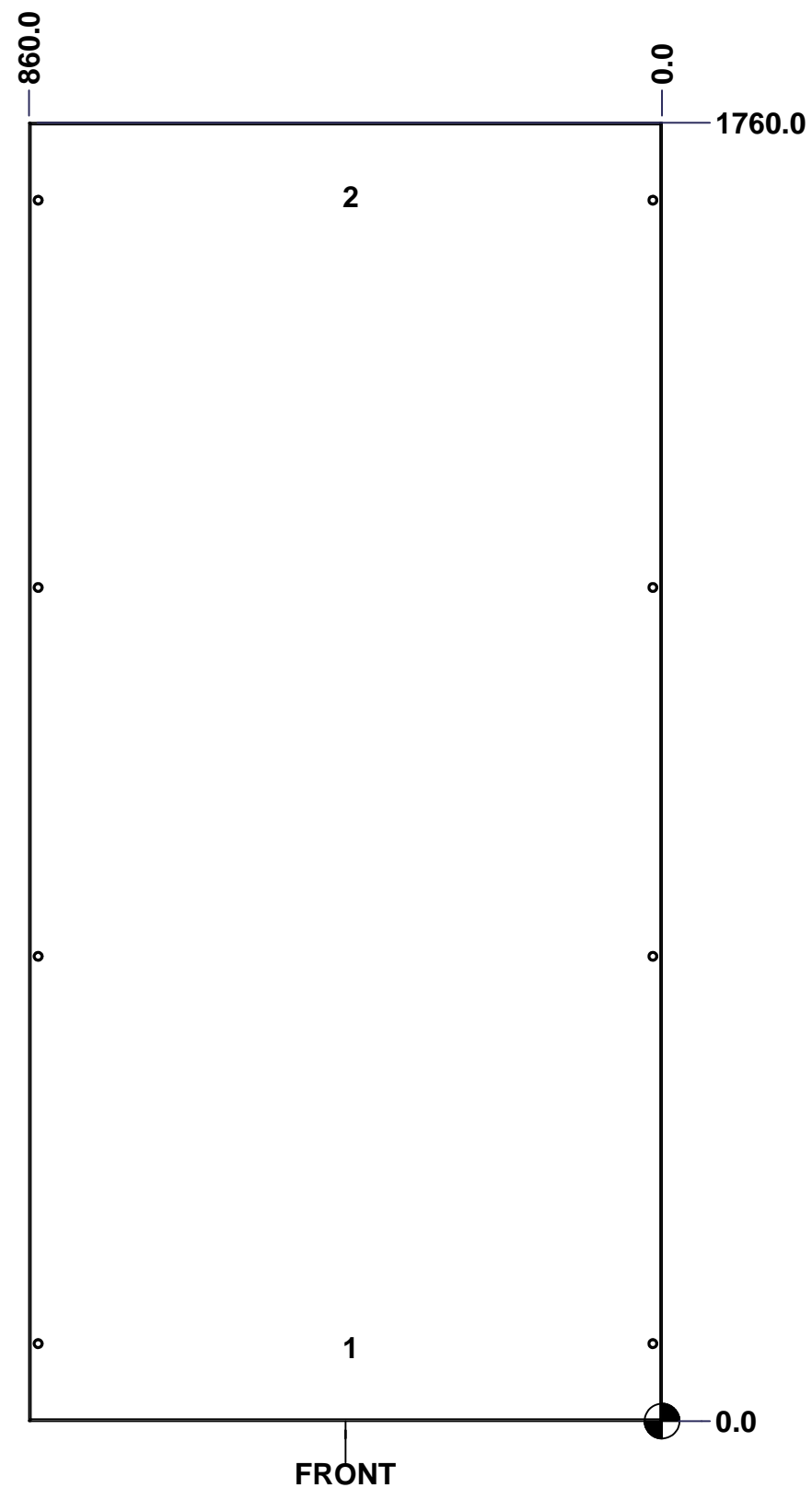
		Flatness Aplatissement Max 3.0mm			
Tél: (450) 979-4373 Fax: (450) 979-4626 www.exmweb.com		Projection 			
Customer Client		Date			
Drawn By / Dessiné Par: BoxCad: Annie		Date: 10/02/2015			
Material / Matière: 14 Ga H.R.P. & O. (1.7mm)		Color / Couleur: Light Grey RAL7035			
Description: 6500 MXC 1800mm x 900mm Right		Finish / Fini: Rough / Textured			
Part Number / Numéro Pièce: 6500MXK180609R		Detail Rev.:			
		Rev. 0	<table border="1" style="width: 100%;"> <tr> <td style="width: 50%; text-align: center;">1</td> <td style="width: 50%; text-align: center;">3</td> </tr> </table>	1	3
1	3				

SEE BILL OF MATERIAL ON LAST PAGE

This drawing is confidential and must not be reproduced or used without the consent of EXM

Ce dessin est confidentiel et ne doit pas être reproduit ou utilisé sans le consentement de EXM

STANDARD FEATURES ARE NOT LISTED IN THIS HOLE TABLE			
HOLE TABLE - FRONT VIEW (CUSTOM FEATURE ONLY)			
CUT-OUT	XDIM	YDIM	DESCRIPTION
1	430.0	100.0	GND STUD M6 x 16mm (Inside)
2	430.0	1660.0	GND STUD M6 x 16mm (Inside)

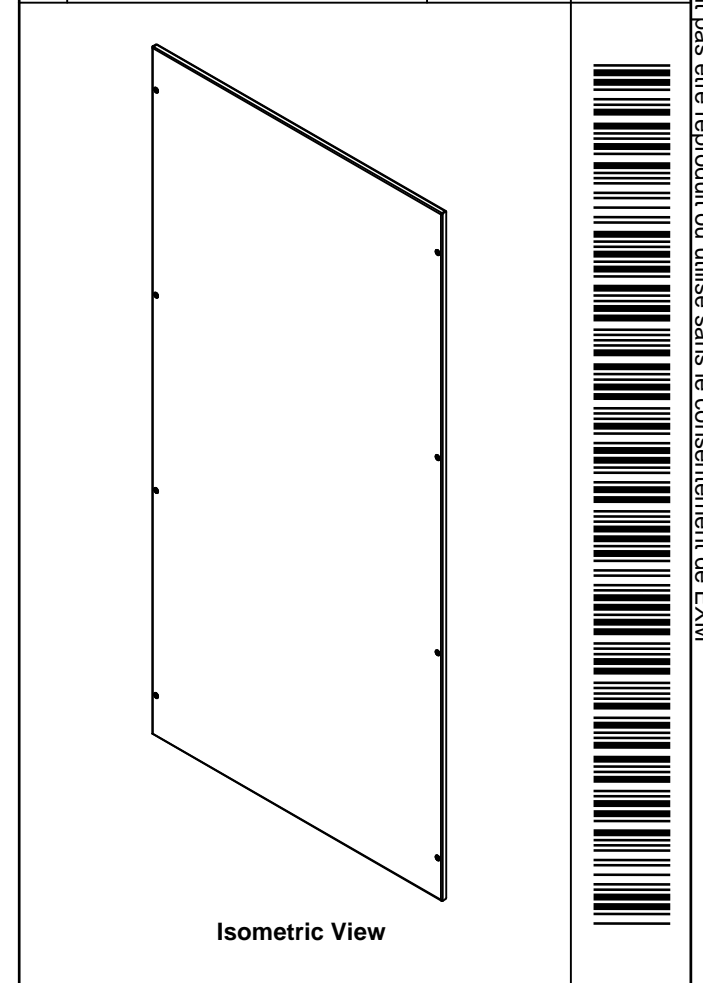


	Description	Status
	6500 MXC 1800mm x 900mm Right	(NULL)
	Part Number Numéro Pièce	Rev.
	6500MXK180609R	0
		2
		3

This drawing is confidential and must not be reproduced or used without the consent of EXM

Ce dessin est confidentiel et ne doit pas être reproduit ou utilisé sans le consentement de EXM

No.	Revisions	Date	By/Par



Tél: (450) 979-4373 Fax: (450) 979-4626 www.exmweb.com		Flatness Aplatissement Max 3.0mm	
		Projection 	
Customer Client		Date	
Drawn By Dessiné Par BoxCad: Annie		Date 10/02/2015	
Material Matière 14 Ga H.R.P. & O. (1.7mm)			
Color Couleur Light Grey RAL7035		Finish Fini Rough Textured	
Description 6500 MXC 1800mm x 900mm Right			Detail Rev.
Part Number Numéro Pièce 6500MXK180609R		Rev. 0	3 3

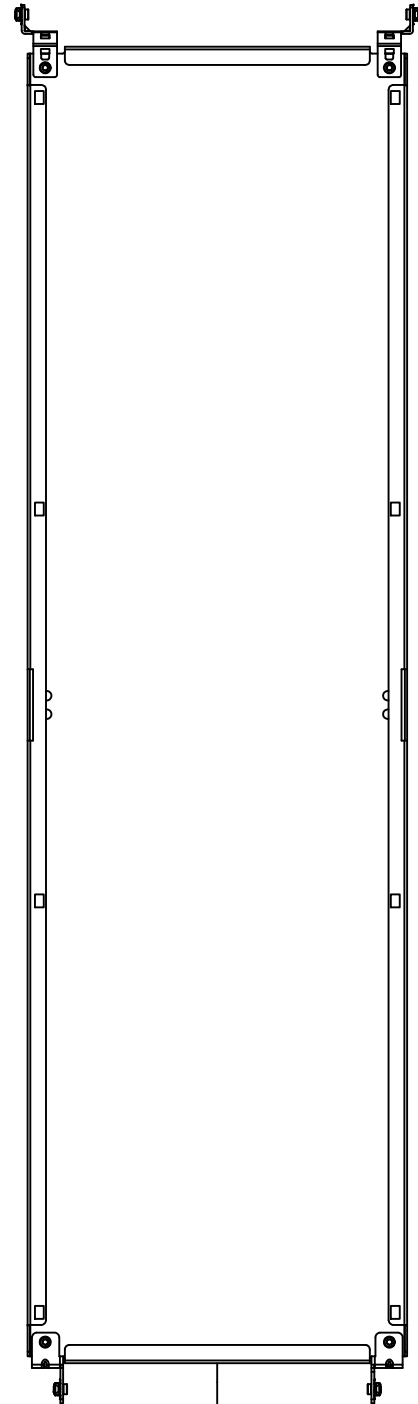
Qty	Part Number	Rev	Description
1	STK-P-03820R	0	Powder Paint (Light Grey / Rough Textured)
8	STK-Q-03072	2	M6 x 17mm Phillips Flat Head Screw
2	STK-Q-16080	0.1.1	M6 x 16mm Ground Stud
1	6500MXK180609RG	0	6500 MXC 1800mm x 900mm Right Gasket
1	6500MXK180609R-P	0	6500 MXC 1800mm x 900mm Right Part
Parts List			

This drawing is confidential and must not be reproduced or used without the consent of EXM

Ce dessin est confidentiel et ne doit pas être reproduit ou utilisé sans le consentement de EXM



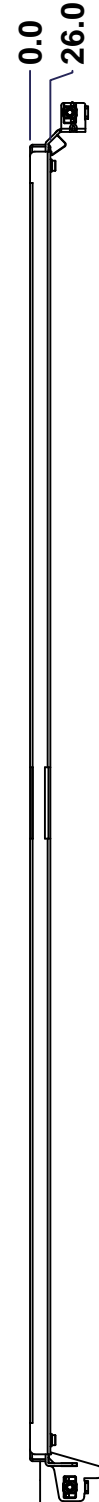
TOP



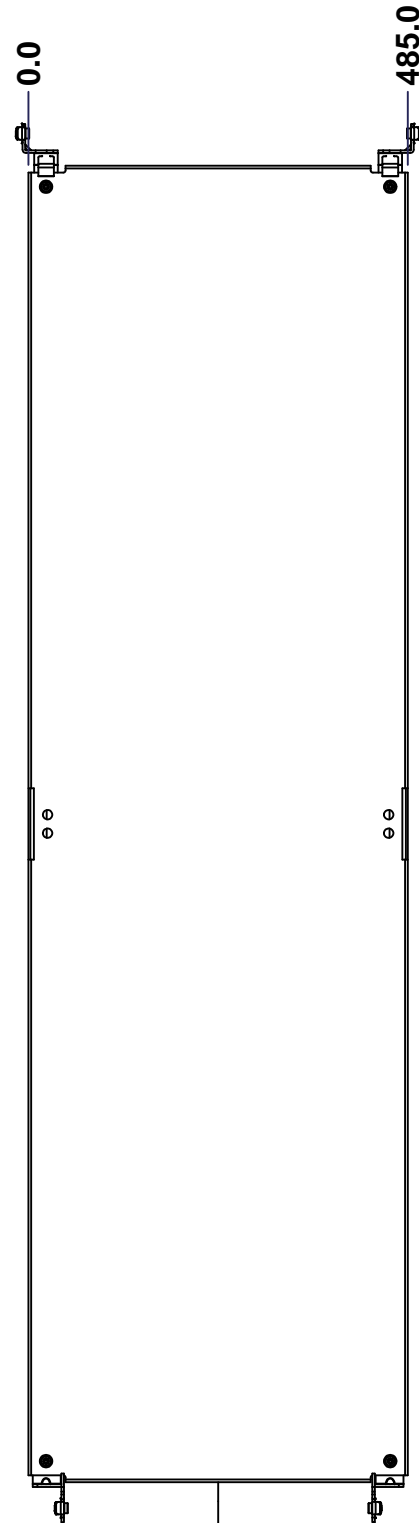
BACK



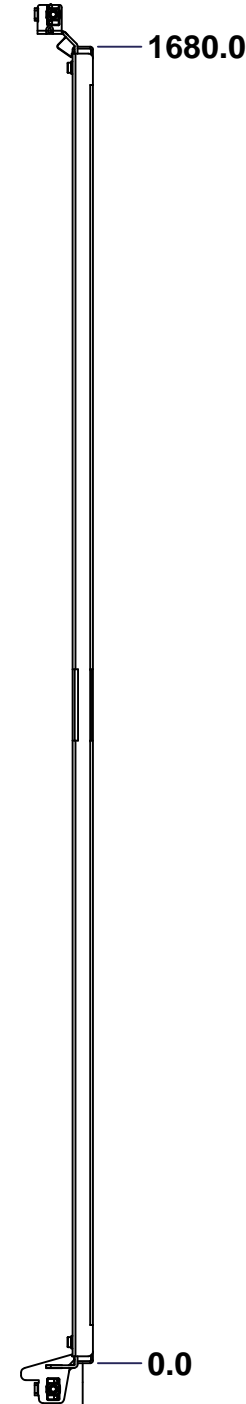
BOTTOM



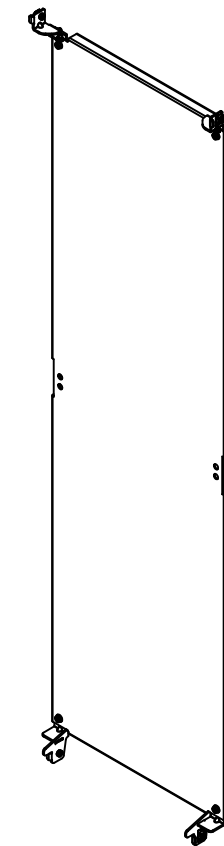
LEFT



FRONT




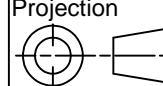
RIGHT



Isometric View



No.	Revisions	Date	By/Par

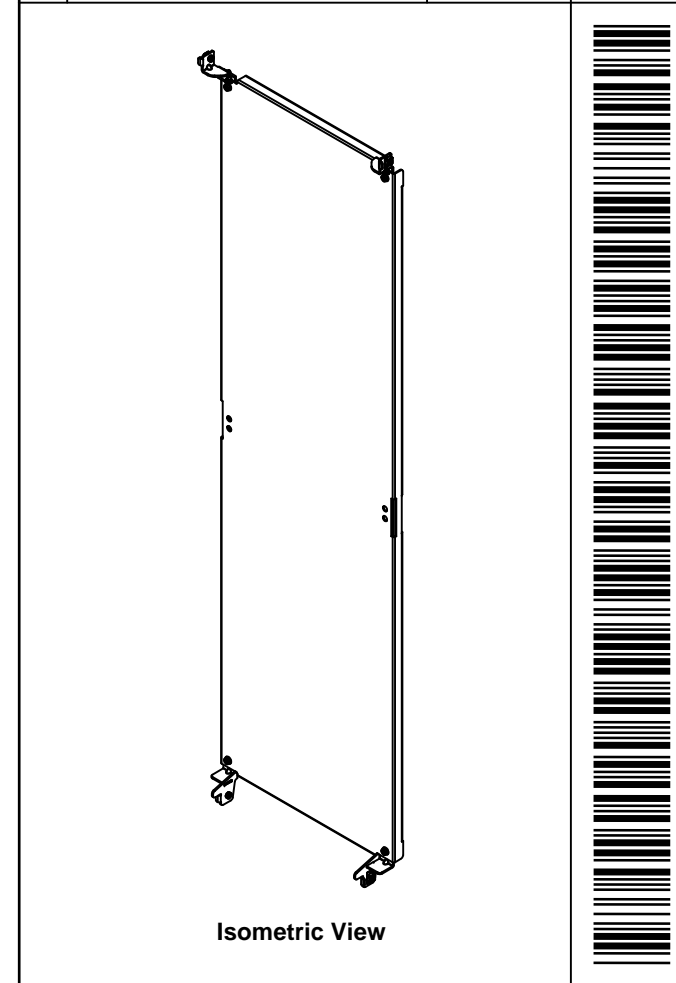
 Tél: (450) 979-4373 Fax: (450) 979-4626 www.exmweb.com		Flatness Aplatissement Max 3.0mm Projection 
Customer Client	Date	
Drawn By Dessiné Par	BoxCad: Annie	Date 10/02/2015
Material Matière	12 Ga Galvanized (2.5mm)	
Color Couleur	Unpainted	Finish Finis Unpainted
Description	Detail Rev.	
6500 MXM 1800mm x 600mm Back Inner Panel		
Part Number Numéro Pièce	Rev.	1
6500MXK180609BIP	0	3

SEE BILL OF MATERIAL ON LAST PAGE


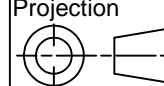
This drawing is confidential and must not be reproduced or used without the consent of EXM

Ce dessin est confidentiel et ne doit pas être reproduit ou utilisé sans le consentement de EXM

No.	Revisions	Date	By/Par



Isometric View

 Tél: (450) 979-4373 Fax: (450) 979-4626 www.exmweb.com		Flatness Aplatissement Max 3.0mm Projection 
Customer Client	Date	
Drawn By Dessiné Par	BoxCad: Annie	Date 10/02/2015
Material Matière	12 Ga Galvanized (2.5mm)	
Color Couleur	Unpainted	Finish Fini Unpainted
Description 6500 MXM 1800mm x 600mm Back Inner Panel		Detail Rev.
Part Number Numéro Pièce	6500MXK180609BIP	Rev. 3
		0 3

Qty	Part Number	Rev	Description
1	STK-A-49005	0	6500MXM - Bottom Inner Panel Support Kit (Right)
1	STK-A-49000	0	6500MXM - Bottom Inner Panel Support Kit (Left)
1	STK-A-49015	0	6500MXM - Top Inner Panel Support Kit (Right)
1	STK-A-49010	0	6500MXM - Top Inner Panel Support Kit (Left)
1	6500MXK180609BIP-P	0	6500 MXM 1800mm x 600mm Back Inner Panel Part
Parts List			