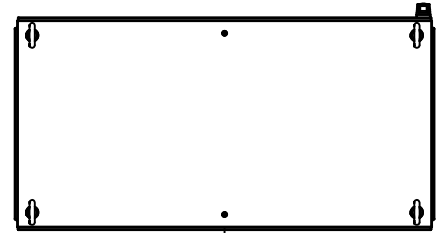
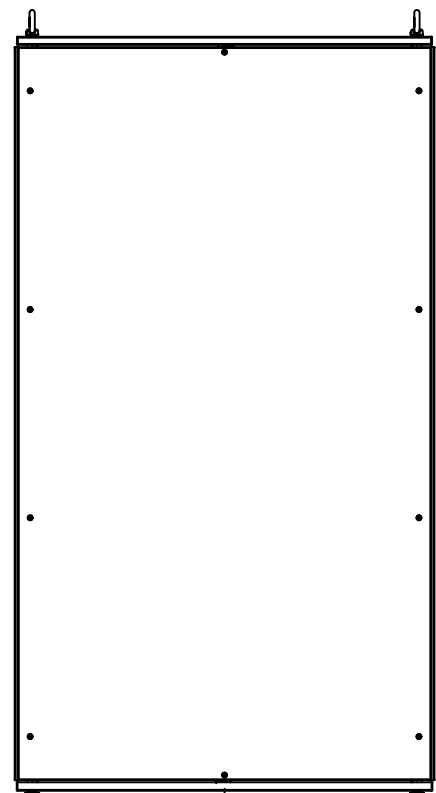


This drawing is confidential and must not be reproduced or used without the consent of EXM

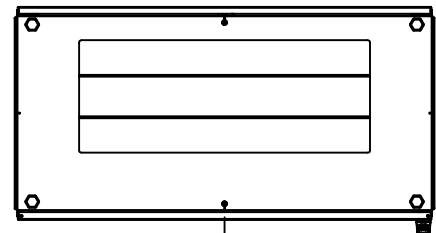
Ce dessin est confidentiel et ne doit pas être reproduit ou utilisé sans le consentement de EXM



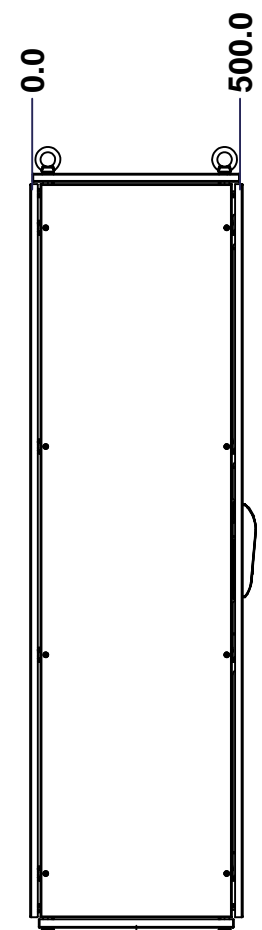
TOP



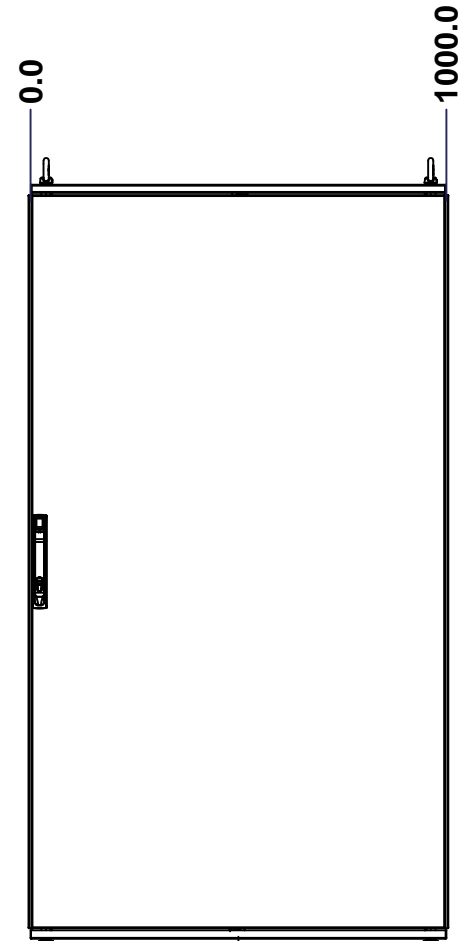
BACK



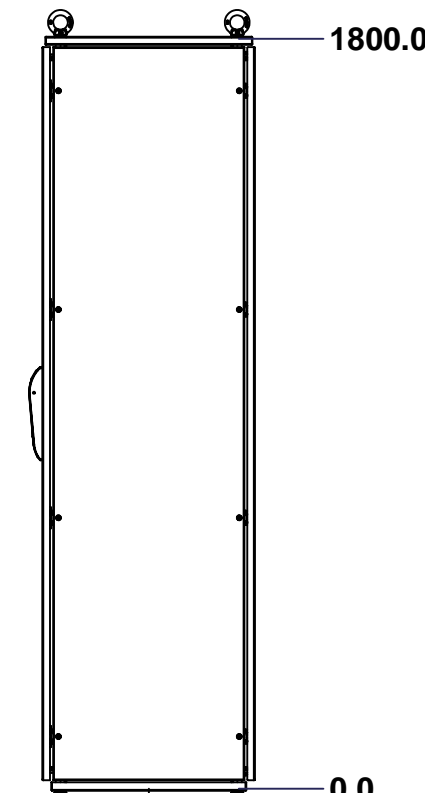
BOTTOM



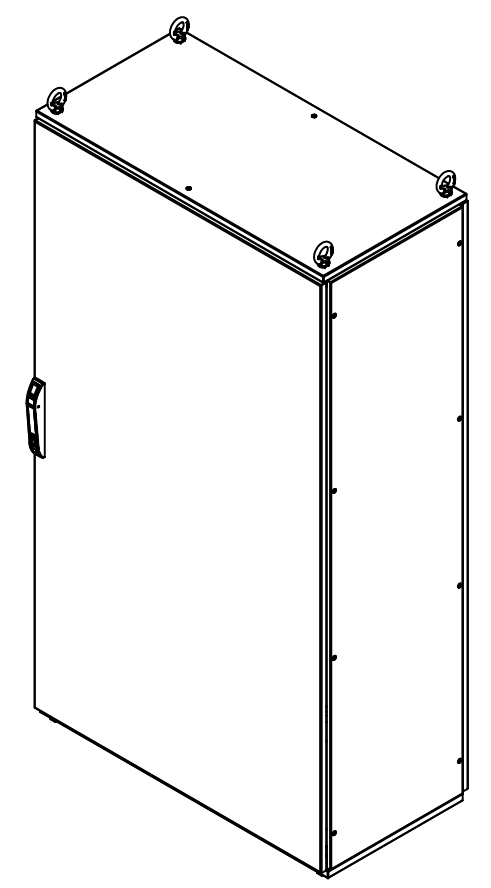
LEFT



FRONT




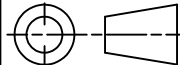
RIGHT



Isometric View



No.	Revisions	Date	By/Par

 Tél: (450) 979-4373 Fax: (450) 979-4626 www.exmweb.com		Flatness Aplatissement Max 3.0mm Projection 
Customer Client	Date	Date
Drawn By Dessiné Par	BoxCad: Annie	Date 15/02/2015
Material Matière	See Part List	
Color Couleur	See Part List	Finish Fini See Part List
Description 6500MX 1800mm x 1000mm x 500mm Assembly	Detail Rev.	
Part Number Numéro Pièce	Rev. 0	1 2

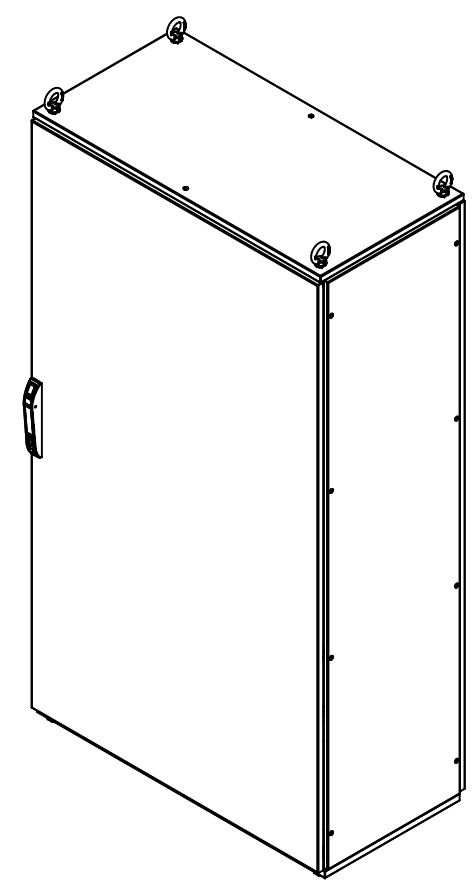
SEE BILL OF MATERIAL ON LAST PAGE

6500MXK181005

This drawing is confidential and must not be reproduced or used without the consent of EXM


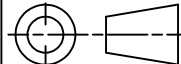
Ce dessin est confidentiel et ne doit pas être reproduit ou utilisé sans le consentement de EXM

No.	Revisions	Date	By/Par



Isometric View

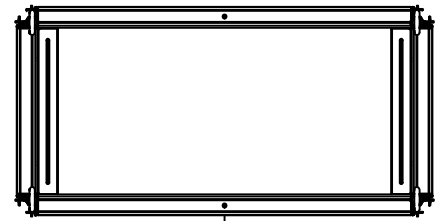


 Tél: (450) 979-4373 Fax: (450) 979-4626 www.exmweb.com		Flatness Aplatissement Max 3.0mm Projection 
Customer Client	Date	Date 15/02/2015
Drawn By Dessiné Par	BoxCad: Annie	
Material Matière	See Part List	
Color Couleur	See Part List	Finish Fini See Part List
Description	Detail Rev.	
6500MX 1800mm x 1000mm x 500mm Assembly		
Part Number Numéro Pièce	Rev.	2
6500MXK181005	0	2

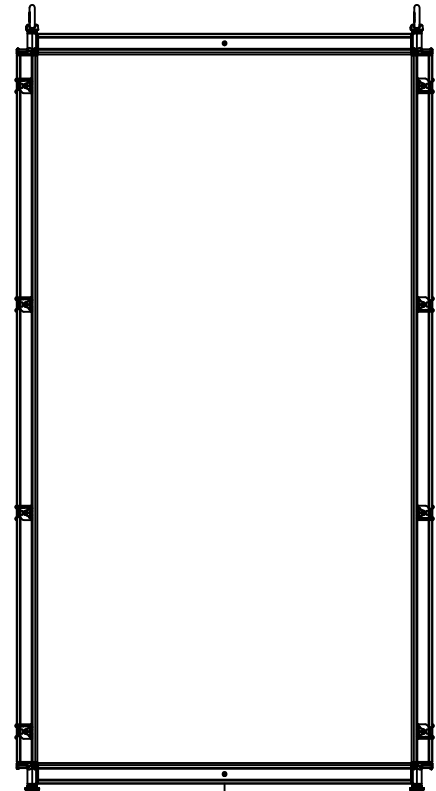
Qty	Part Number	Rev	Description
1	6500MXK181005BIP	0	6500 MXM 1800mm x 1000mm Back Inner Panel
1	6500MXK181005R	0	6500 MXC 1800mm x 500mm Right
1	6500MXK181005L	0	6500 MXC 1800mm x 500mm Left
1	6500MXK181005F	0	6500 MXD 1800mm x 1000mm Front
1	6500MXK181005B	0	6500 MXR 1800mm x 1000mm Back
1	6500MXK181005BT	0	6500 MXB 1000mm x 500mm Bottom
1	6500MXK181005T	0	6500 MXT 1000mm x 500mm Top
1	6500MXK181005FR	0	6500 MX 1800mm x 1000mm x 500mm Frame
Parts List			

This drawing is confidential and must not be reproduced or used without the consent of EXM

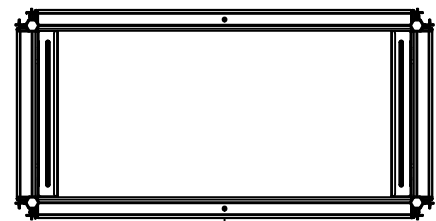
Ce dessin est confidentiel et ne doit pas être reproduit ou utilisé sans le consentement de EXM



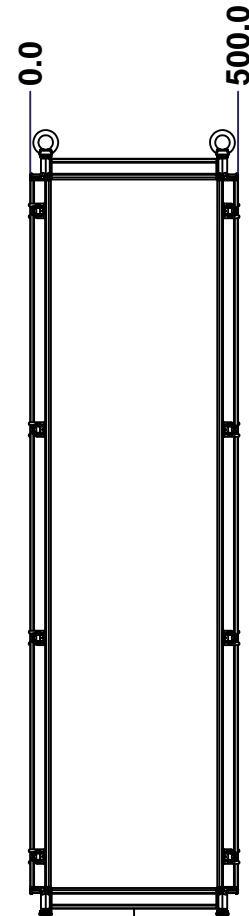
TOP



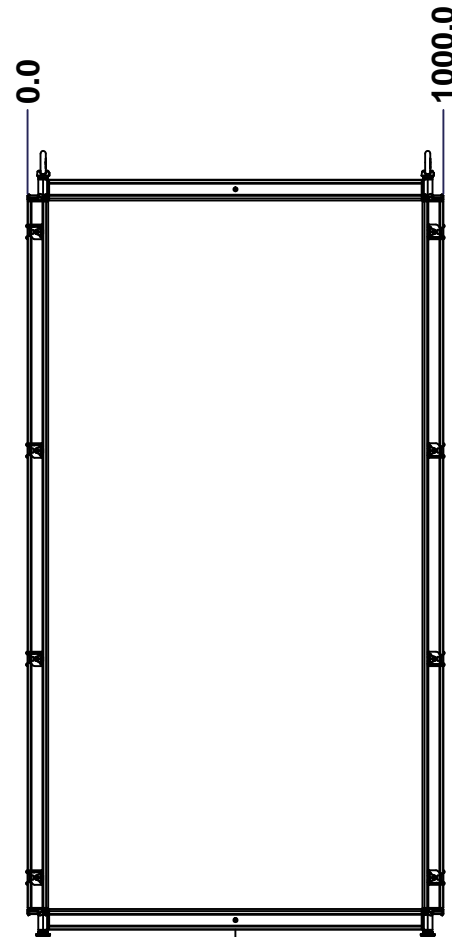
BACK



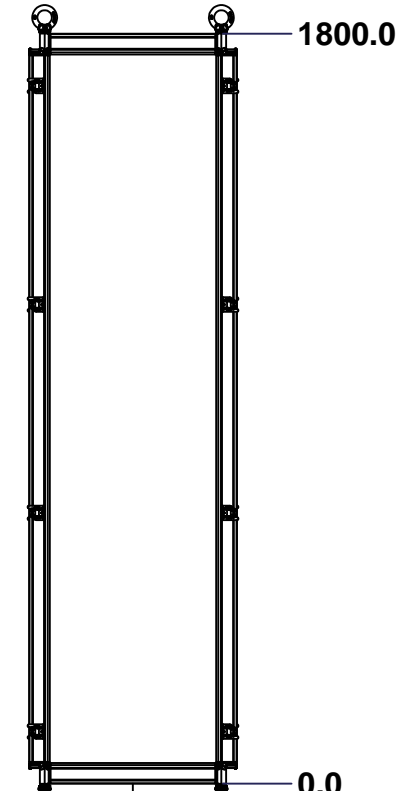
BOTTOM



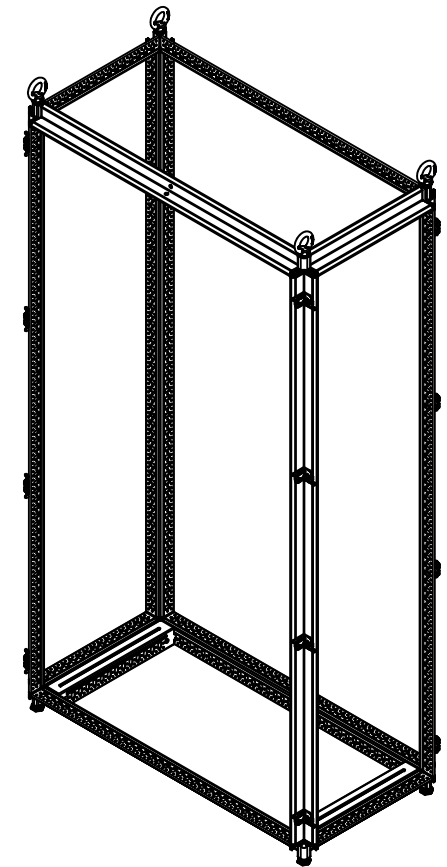
LEFT



FRONT




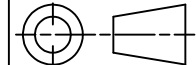
RIGHT



Isometric View



No.	Revisions	Date	By/Par

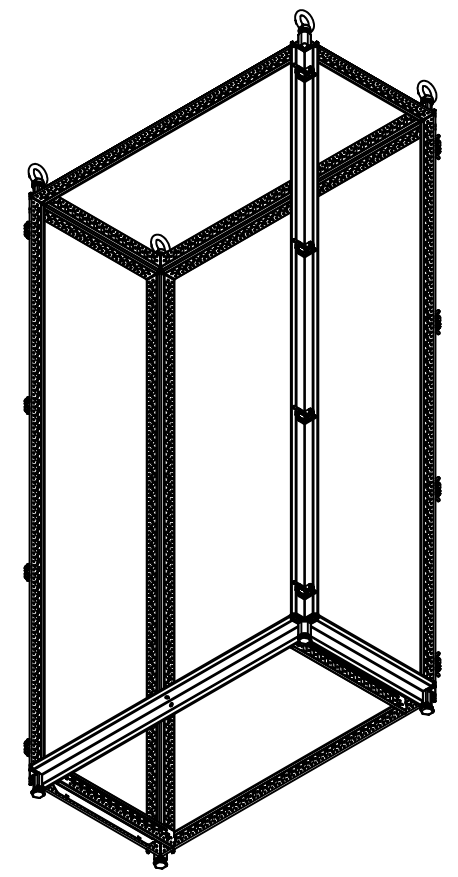
 Tél: (450) 979-4373 Fax: (450) 979-4626 www.exmweb.com		Flatness Aplatissement Max 3.0mm Projection 
Customer Client	Date	
Drawn By Dessiné Par	BoxCad: Annie	Date 15/02/2015
Material Matière	16 Ga Electro-Galvanized (1.4mm)	
Color Couleur	Iron Grey RAL7011	Finish Fini Rough Textured
Description	Detail Rev.	
6500 MX 1800mm x 1000mm x 500mm Frame		
Part Number Numéro Pièce	Rev.	1 2
6500MXK181005FR	0	

SEE BILL OF MATERIAL ON LAST PAGE

This drawing is confidential and must not be reproduced or used without the consent of EXM

Ce dessin est confidentiel et ne doit pas être reproduit ou utilisé sans le consentement de EXM


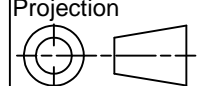
No.	Revisions	Date	By/Par



Isometric View



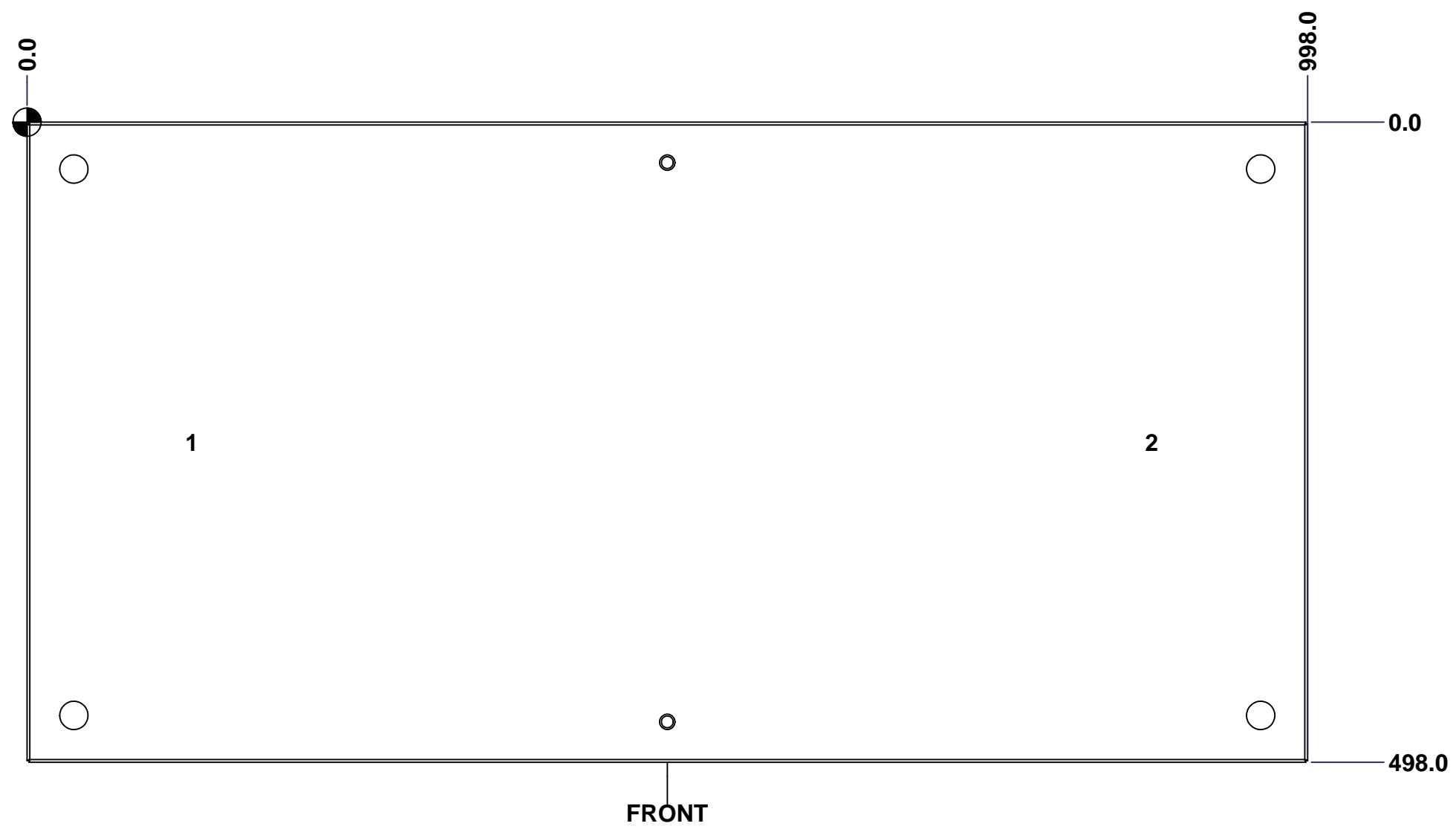
Qty	Part Number	Rev	Description
1	STK-P-03810R	0	Powder Paint (Iron Grey / Rough Textured)
1	STK-Q-49055	3	6500 MXM Inner Panel Slider 500mm
1	STK-Q-49055-L	3	6500 MXM Inner Panel Slider 500mm
4	STK-Q-49500	3	M12 Eye Bolt (0.34T)
4	STK-Q-61110	0	M12 Feet Leveler
8	STK-Q-00610	1	M18 x 30.5mm Bolt - Cover
4	STK-Q-47251-18	3	6500 MX 1800mm Vertical Frame Post Part
4	STK-Q-47250-10	3	6500 MX 1000mm Horizontal Frame Post Part
4	STK-Q-47250-05	3	6500 MX 500mm Horizontal Frame Post Part
8	STK-Q-49445	2	6500 MX - Frame Corner Bracket Casting
16	STK-K-11001	2	3 Way Fixed Bracket Kit
Parts List			

 Tél: (450) 979-4373 Fax: (450) 979-4626 www.exmweb.com		Flatness Aplatissement Max 3.0mm Projection 
Customer Client	Date	Date 15/02/2015
Drawn By Dessiné Par	BoxCad: Annie	
Material Matière	16 Ga Electro-Galvanized (1.4mm)	
Color Couleur	Iron Grey RAL7011	Finish Fini Rough Textured
Description	Detail Rev.	
6500 MX 1800mm x 1000mm x 500mm Frame		
Part Number Numéro Pièce	Rev.	2
6500MXK181005FR	0	2

This drawing is confidential and must not be reproduced or used without the consent of EXM

Ce dessin est confidentiel et ne doit pas être reproduit ou utilisé sans le consentement de EXM

STANDARD FEATURES ARE NOT LISTED IN THIS HOLE TABLE			
HOLE TABLE - FRONT VIEW (CUSTOM FEATURE ONLY)			
CUT-OUT	XDIM	YDIM	DESCRIPTION
1	125.0	249.0	GND STUD M6 x 16mm (Inside)
2	873.0	249.0	GND STUD M6 x 16mm (Inside)

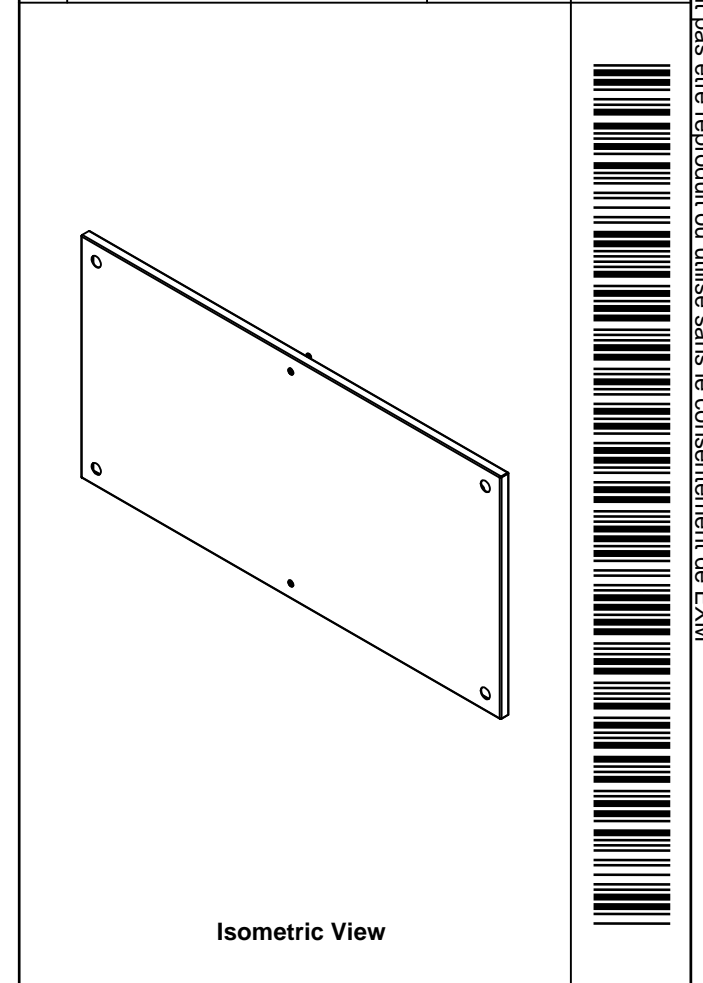



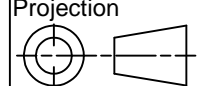
	Description	Status
	6500 MXT 1000mm x 500mm Top	(NULL)
	Part Number Numéro Pièce	Rev.
	6500MXK181005T	0
		2
		3

This drawing is confidential and must not be reproduced or used without the consent of EXM

Ce dessin est confidentiel et ne doit pas être reproduit ou utilisé sans le consentement de EXM

No.	Revisions	Date	By/Par



 Tél: (450) 979-4373 Fax: (450) 979-4626 www.exmweb.com		Flatness Aplatissement Max 3.0mm Projection 
Customer Client	Date	
Drawn By Dessiné Par	BoxCad: Annie	Date 15/02/2015
Material Matière	16 Ga H.R.P. & O. (1.4mm)	
Color Couleur	Iron Grey RAL7011	Finish Fini Rough Textured
Description		Detail Rev.
6500 MXT 1000mm x 500mm Top		
Part Number Numéro Pièce	Rev.	3
6500MXK181005T	0	3

Qty	Part Number	Rev	Description
1	STK-P-03810R	0	Powder Paint (Iron Grey / Rough Textured)
2	STK-Q-16055	1	M6 x 18mm Stud (No Paint Cap Required)
2	STK-Q-77120	1	6500MX-Frame Rubber Plug
2	STK-Q-03072	2	M6 x 17mm Phillips Flat Head Screw
1	6500MXK181005TG	0	6500 MXT 1000mm x 500mm Top Gasket
1	6500MXK181005T-P	0	6500 MXT 1000mm x 500mm Top Part
2	STK-K-11010	3	Partial Fixed Bracket Kit
Parts List			

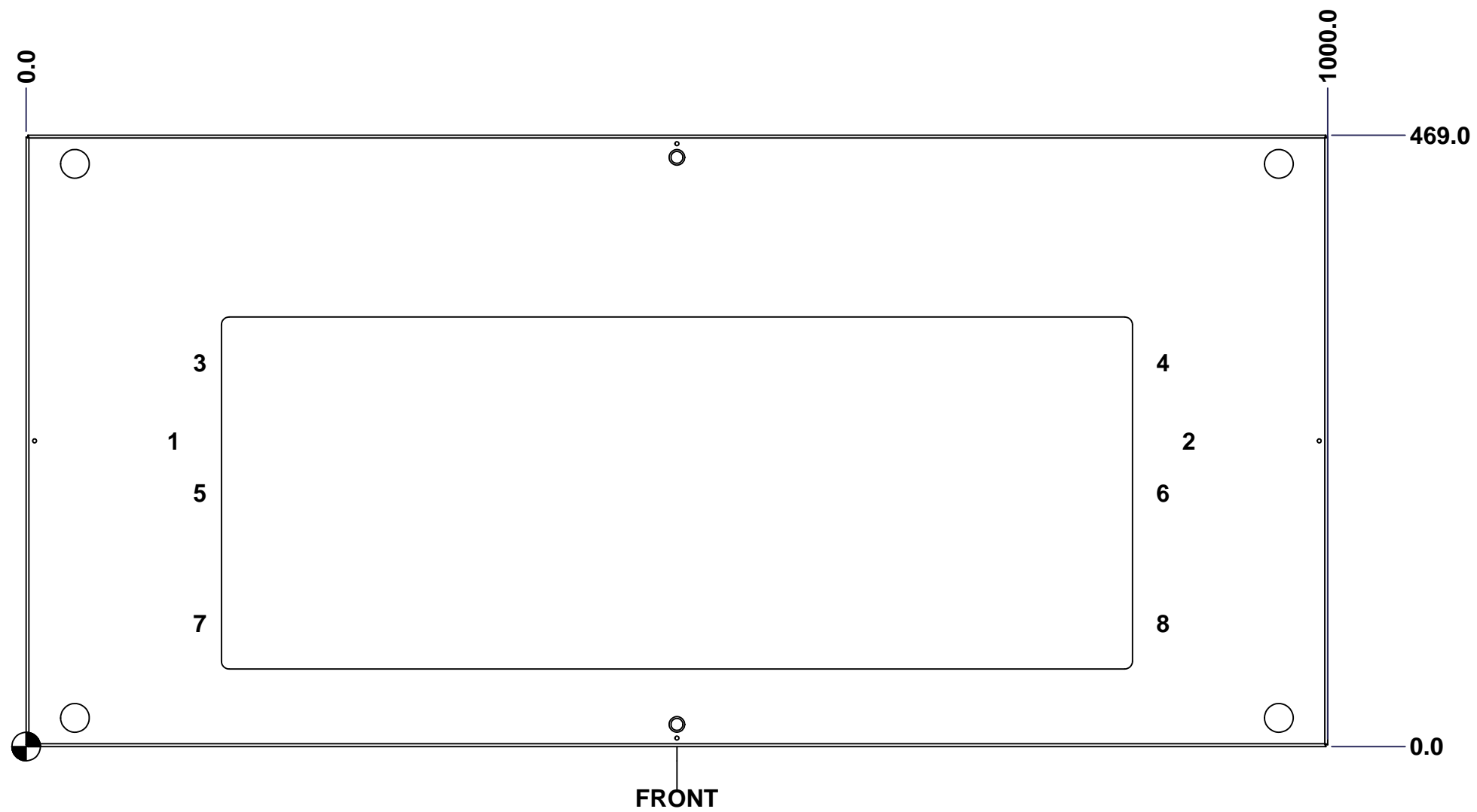
This drawing is confidential and must not be reproduced or used without the consent of EXM

Ce dessin est confidentiel et ne doit pas être reproduit ou utilisé sans le consentement de EXM

STANDARD FEATURES ARE NOT LISTED IN THIS HOLE TABLE

HOLE TABLE - FRONT VIEW (CUSTOM FEATURE ONLY)

CUT-OUT	XDIM	YDIM	DESCRIPTION
1	110.0	234.5	GND STUD M6 x 16mm (Inside)
2	890.0	234.5	GND STUD M6 x 16mm (Inside)
3	130.0	294.5	GP STUD M6 x 10mm (Inside)
4	870.0	294.5	GP STUD M6 x 10mm (Inside)
5	130.0	194.5	GP STUD M6 x 10mm (Inside)
6	870.0	194.5	GP STUD M6 x 10mm (Inside)
7	130.0	94.5	GP STUD M6 x 10mm (Inside)
8	870.0	94.5	GP STUD M6 x 10mm (Inside)

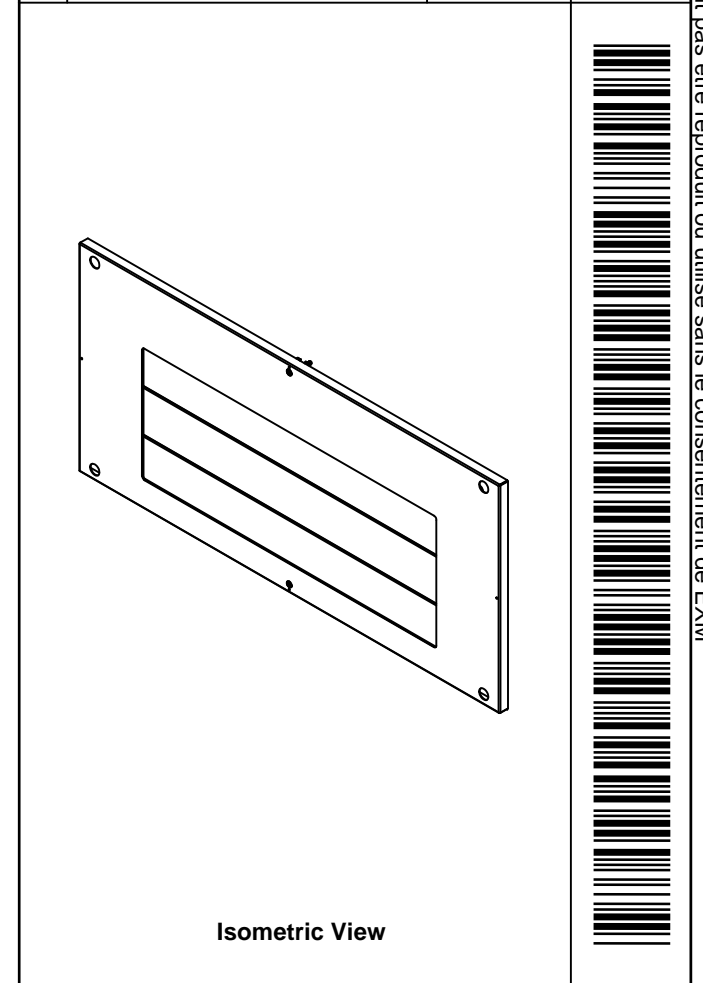


	Description	Status
	6500 MXB 1000mm x 500mm Bottom	(NULL)
	Part Number Numéro Pièce	Rev.
	6500MXK181005BT	0
		2
		3

This drawing is confidential and must not be reproduced or used without the consent of EXM


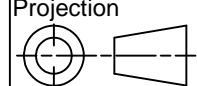
Ce dessin est confidentiel et ne doit pas être reproduit ou utilisé sans le consentement de EXM

No.	Revisions	Date	By/Par



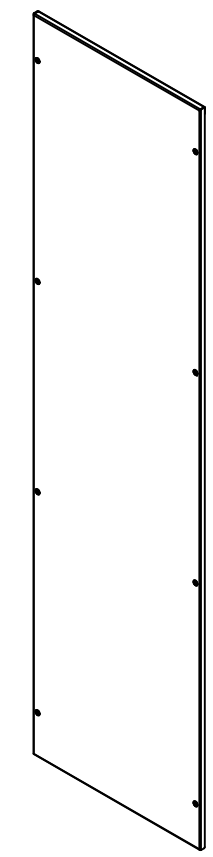
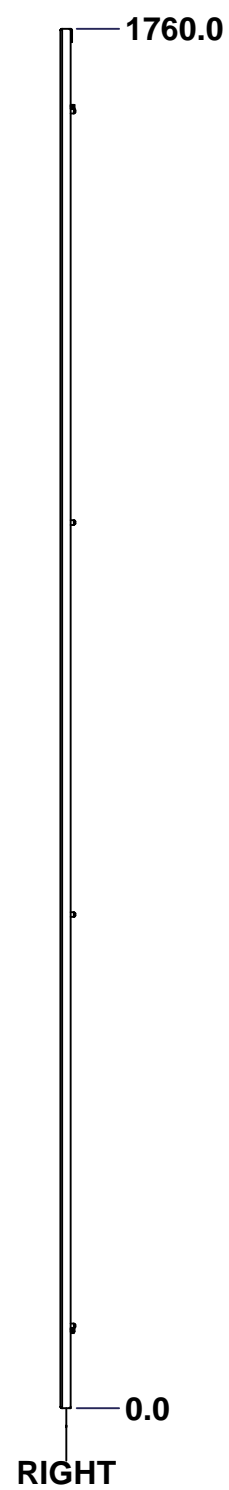
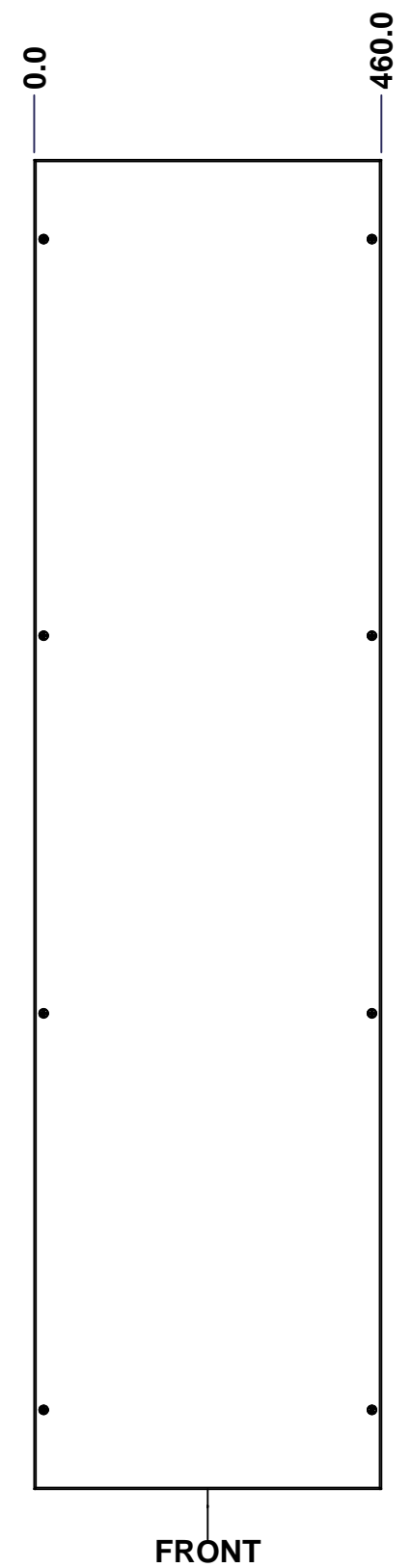
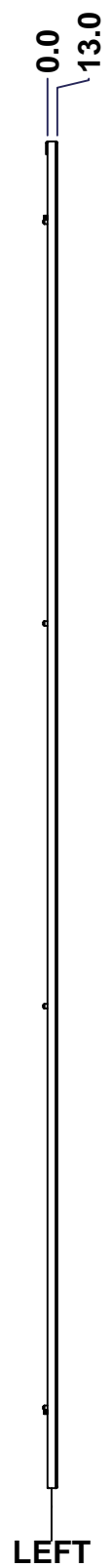
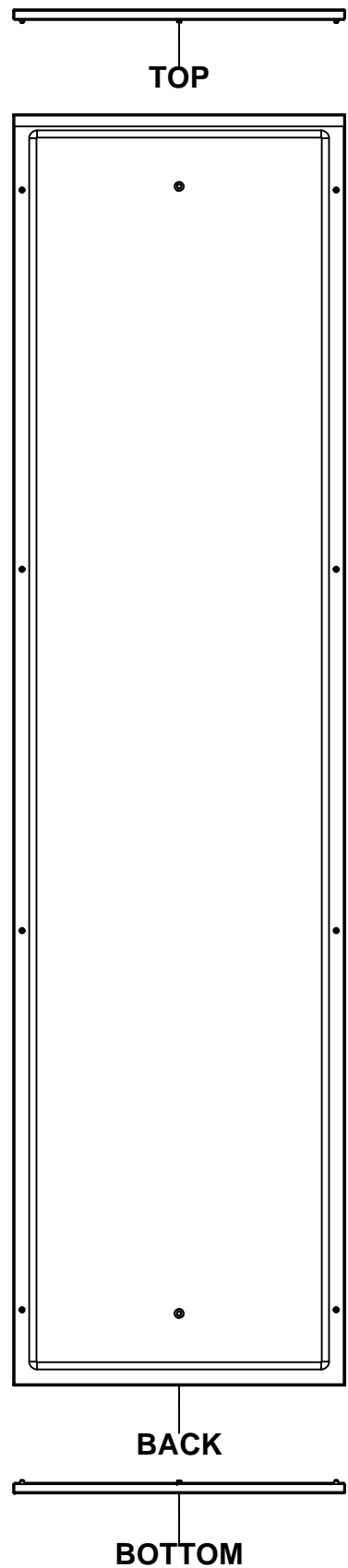
Qty	Part Number	Rev	Description
1	STK-P-03810R	0	Powder Paint (Iron Grey / Rough Textured)
6	STK-Q-06001	0	Mtrx - Gland Plate M6 Plastic Thumb Nut
2	STK-Q-16055	1	M6 x 18mm Stud (No Paint Cap Required)
2	STK-Q-77120	1	6500MX-Frame Rubber Plug
2	STK-Q-03072	2	M6 x 17mm Phillips Flat Head Screw
3	6500MXK181005GP100-P	0	6500 MXB 1000mm Gland Plate Part (100mm)
6	STK-Q-16031	0	M6 x 10mm Stud (No Paint Cap Required)
1	6500MXK181005BTGPG	0	6500 MXB 1000mm x 500mm Bottom Gland Plate Gasket
1	6500MXK181005BTG	0	6500 MXB 1000mm x 500mm Bottom Gasket
1	6500MXK181005BT-P	0	6500 MXB 1000mm x 500mm Bottom Part
2	STK-K-11010	3	Partial Fixed Bracket Kit

Parts List

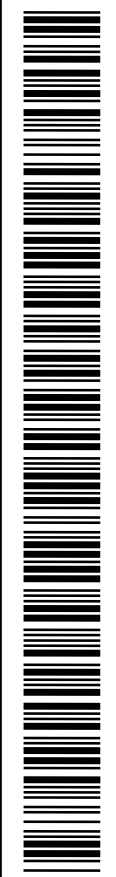
 Tél: (450) 979-4373 Fax: (450) 979-4626 www.exmweb.com		Flatness Aplatissement Max 3.0mm Projection 	
Customer Client		Date	
Drawn By / Dessiné Par: BoxCad: Annie		Date: 15/02/2015	
Material / Matière: 16 Ga H.R.P. & O. (1.4mm)			
Color / Couleur: Iron Grey RAL7011		Finish / Fini: Rough Textured	
Description: 6500 MXB 1000mm x 500mm Bottom			Detail Rev.
Part Number / Numéro Pièce: 6500MXK181005BT			Rev. 3
			0
			3

This drawing is confidential and must not be reproduced or used without the consent of EXM


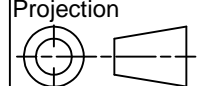
Ce dessin est confidentiel et ne doit pas être reproduit ou utilisé sans le consentement de EXM



Isometric View



No.	Revisions	Date	By/Par

 Tél: (450) 979-4373 Fax: (450) 979-4626 www.exmweb.com		Flatness Aplatissement Max 3.0mm Projection 
Customer Client	Date	
Drawn By Dessiné Par	BoxCad: Annie	Date 15/02/2015
Material Matière	16 Ga H.R.P. & O. (1.4mm)	
Color Couleur	Light Grey RAL7035	Finish Fin Rough Textured
Description 6500 MXC 1800mm x 500mm Left		Detail Rev.
Part Number Numéro Pièce	Rev. 0	1 3

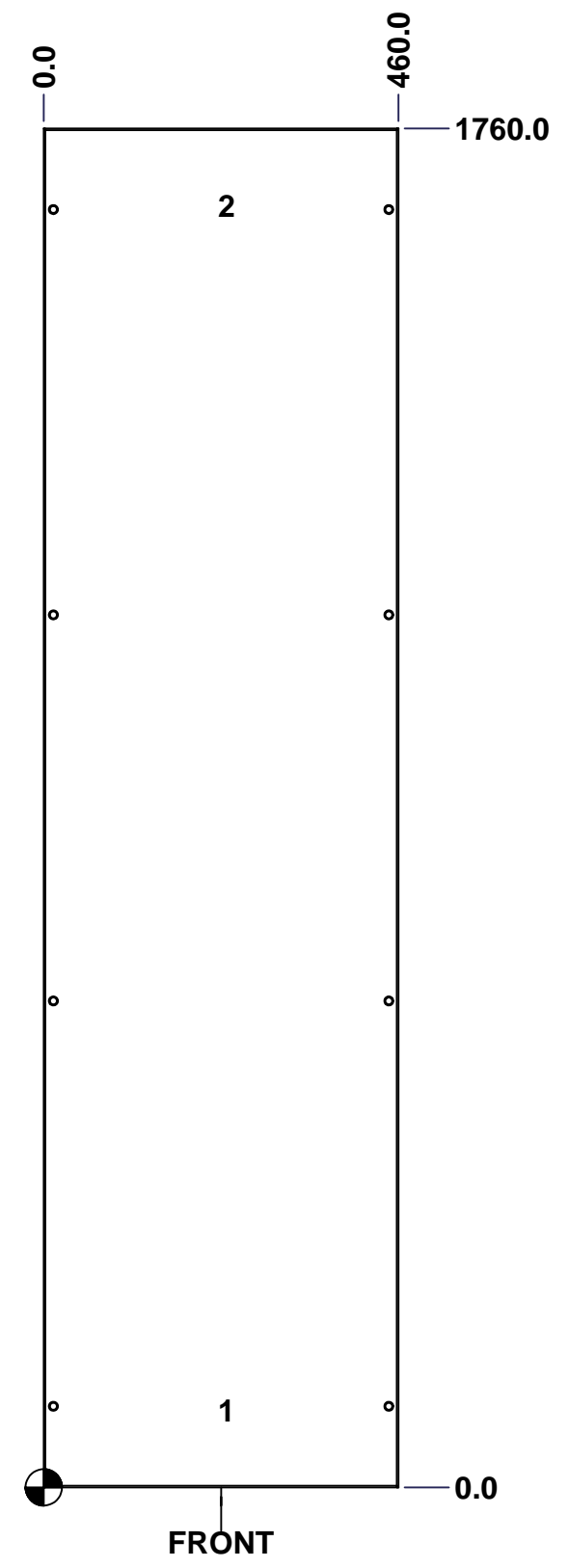
SEE BILL OF MATERIAL ON LAST PAGE

6500MXK181005L

This drawing is confidential and must not be reproduced or used without the consent of EXM

Ce dessin est confidentiel et ne doit pas être reproduit ou utilisé sans le consentement de EXM

STANDARD FEATURES ARE NOT LISTED IN THIS HOLE TABLE			
HOLE TABLE - FRONT VIEW (CUSTOM FEATURE ONLY)			
CUT-OUT	XDIM	YDIM	DESCRIPTION
1	230.0	100.0	GND STUD M6 x 16mm (Inside)
2	230.0	1660.0	GND STUD M6 x 16mm (Inside)

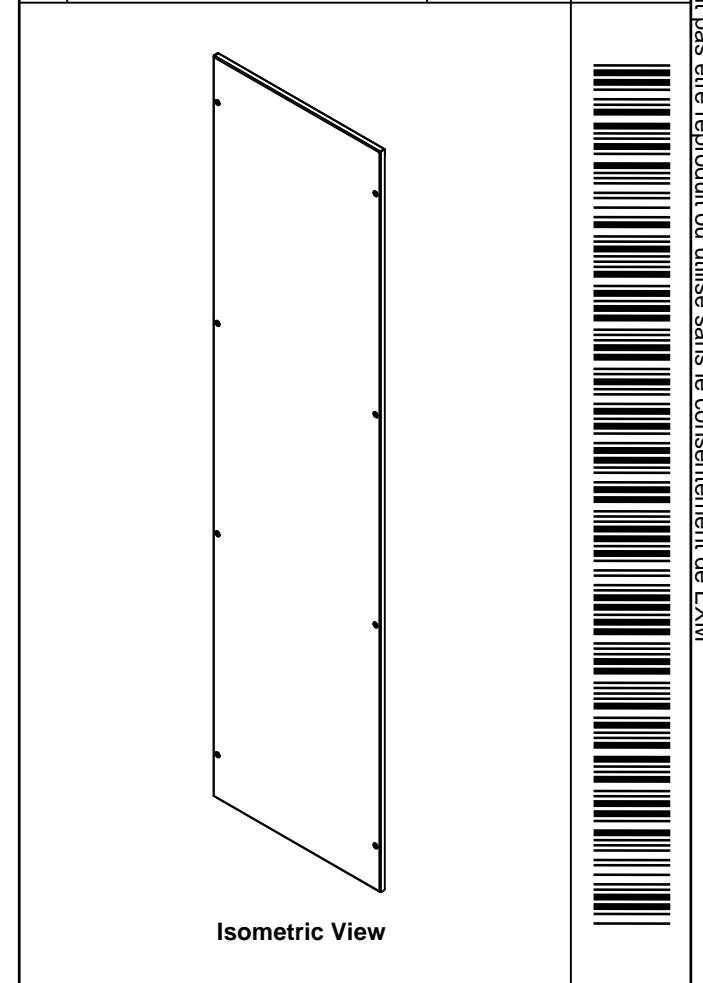



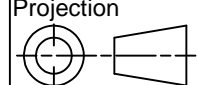
	Description	Status
	6500 MXC 1800mm x 500mm Left	(NULL)
	Part Number Numéro Pièce	Rev.
	6500MXK181005L	0
		2
		3

This drawing is confidential and must not be reproduced or used without the consent of EXM

Ce dessin est confidentiel et ne doit pas être reproduit ou utilisé sans le consentement de EXM

No.	Revisions	Date	By/Par

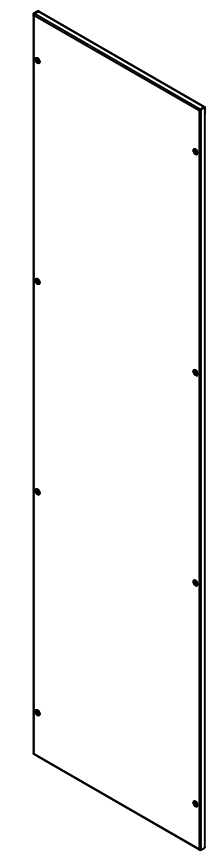
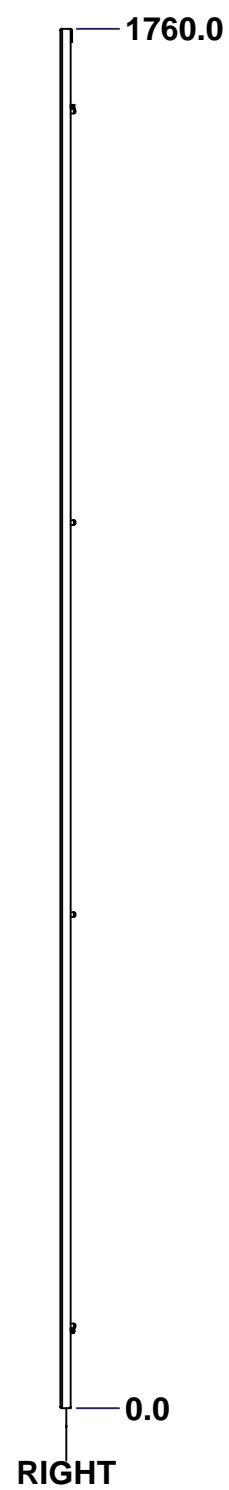
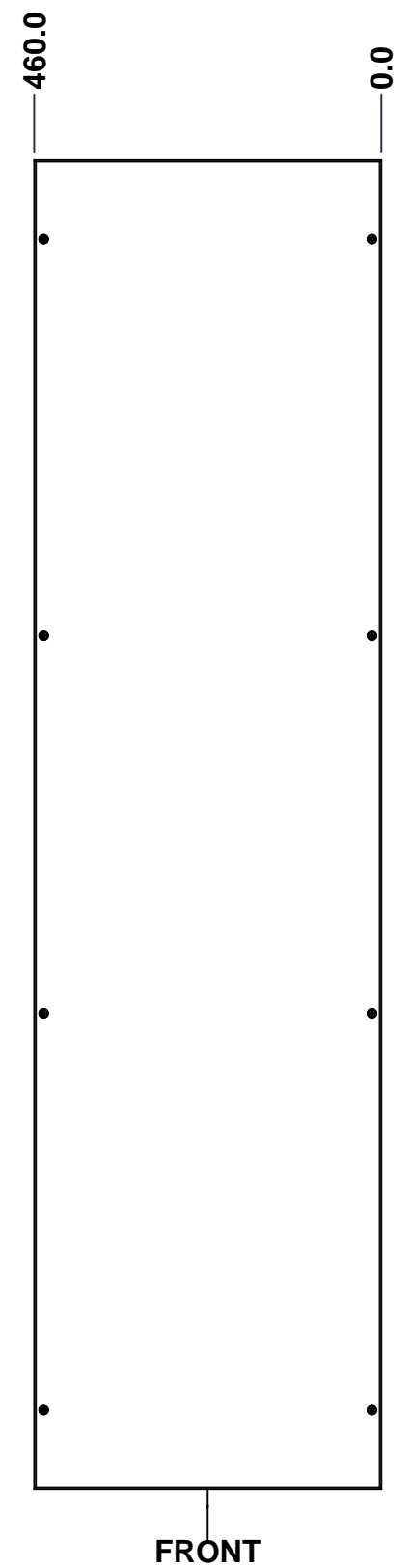
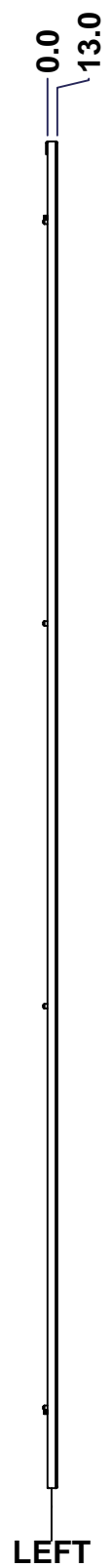
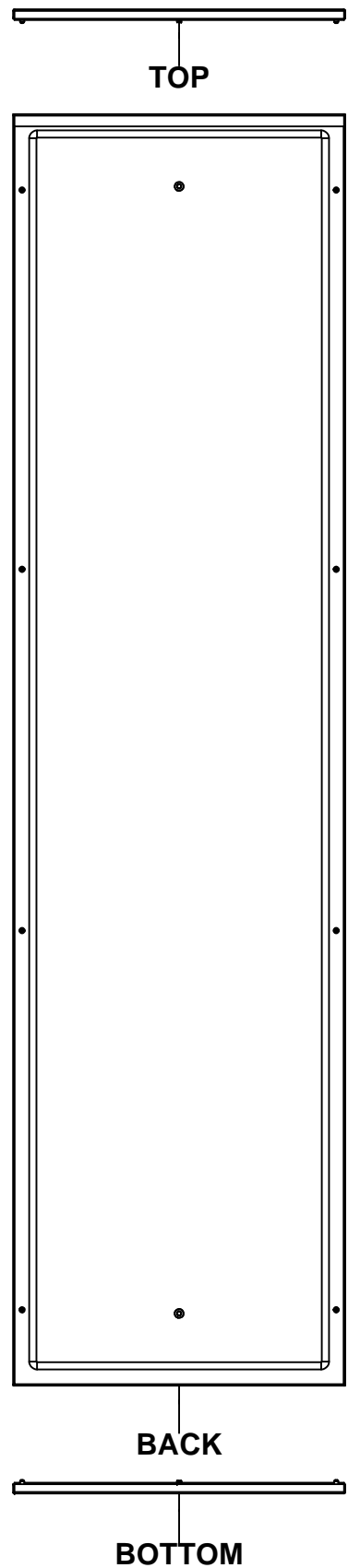


 Tél: (450) 979-4373 Fax: (450) 979-4626 www.exmweb.com		Flatness Aplatissement Max 3.0mm Projection 
Customer Client	Date	
Drawn By Dessiné Par	BoxCad: Annie	Date 15/02/2015
Material Matière	16 Ga H.R.P. & O. (1.4mm)	
Color Couleur	Light Grey RAL7035	Finish Fini Rough Textured
Description	Detail Rev.	
6500 MXC 1800mm x 500mm Left		
Part Number Numéro Pièce	Rev.	3
6500MXK181005L	0	3

Qty	Part Number	Rev	Description
1	STK-P-03820R	0	Powder Paint (Light Grey / Rough Textured)
8	STK-Q-03072	2	M6 x 17mm Phillips Flat Head Screw
2	STK-Q-16080	0.1.1	M6 x 16mm Ground Stud
1	6500MXK181005LG	0	6500 MXC 1800mm x 500mm Left Gasket
1	6500MXK181005L-P	0	6500 MXC 1800mm x 500mm Left Part
Parts List			

This drawing is confidential and must not be reproduced or used without the consent of EXM


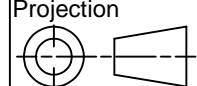
Ce dessin est confidentiel et ne doit pas être reproduit ou utilisé sans le consentement de EXM



Isometric View



No.	Revisions	Date	By/Par

 Tél: (450) 979-4373 Fax: (450) 979-4626 www.exmweb.com		Flatness Aplatissement Max 3.0mm Projection 
Customer Client	Date	
Drawn By Dessiné Par	BoxCad: Annie	Date 15/02/2015
Material Matière	16 Ga H.R.P. & O. (1.4mm)	
Color Couleur	Light Grey RAL7035	Finish Fini Rough Textured
Description 6500 MXC 1800mm x 500mm Right		Detail Rev.
Part Number Numéro Pièce	Rev. 0	1 3

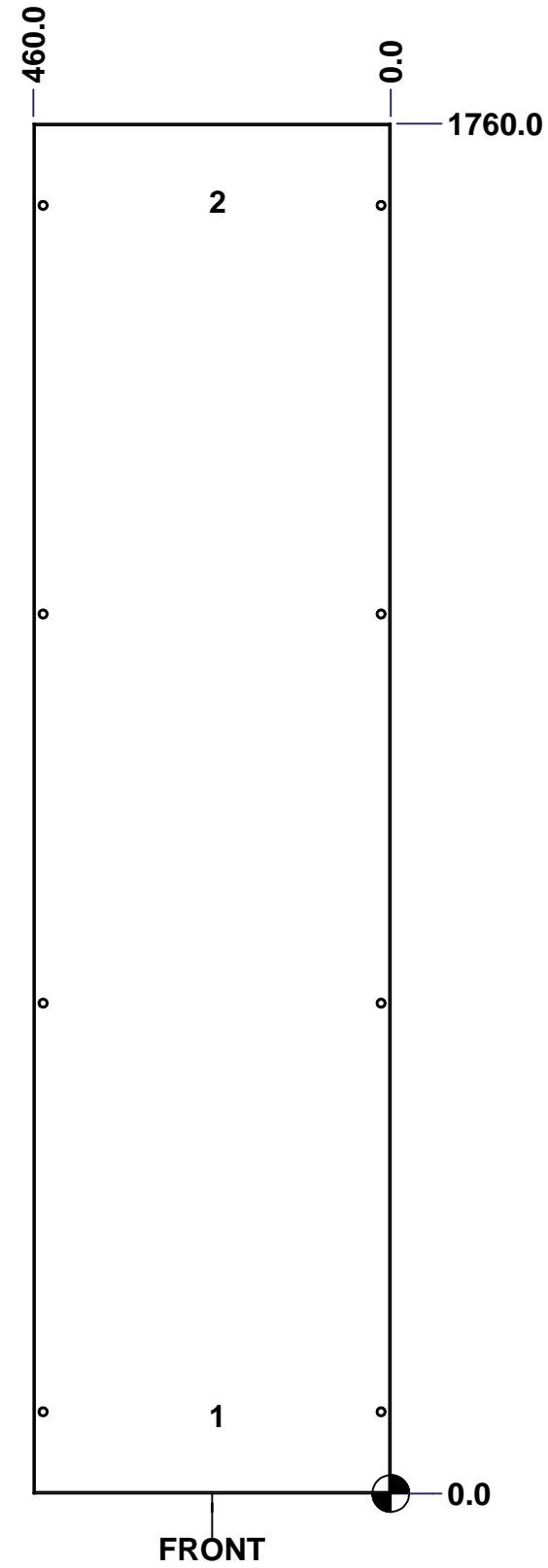
SEE BILL OF MATERIAL ON LAST PAGE

6500MXK181005R

This drawing is confidential and must not be reproduced or used without the consent of EXM

Ce dessin est confidentiel et ne doit pas être reproduit ou utilisé sans le consentement de EXM

STANDARD FEATURES ARE NOT LISTED IN THIS HOLE TABLE			
HOLE TABLE - FRONT VIEW (CUSTOM FEATURE ONLY)			
CUT-OUT	XDIM	YDIM	DESCRIPTION
1	230.0	100.0	GND STUD M6 x 16mm (Inside)
2	230.0	1660.0	GND STUD M6 x 16mm (Inside)

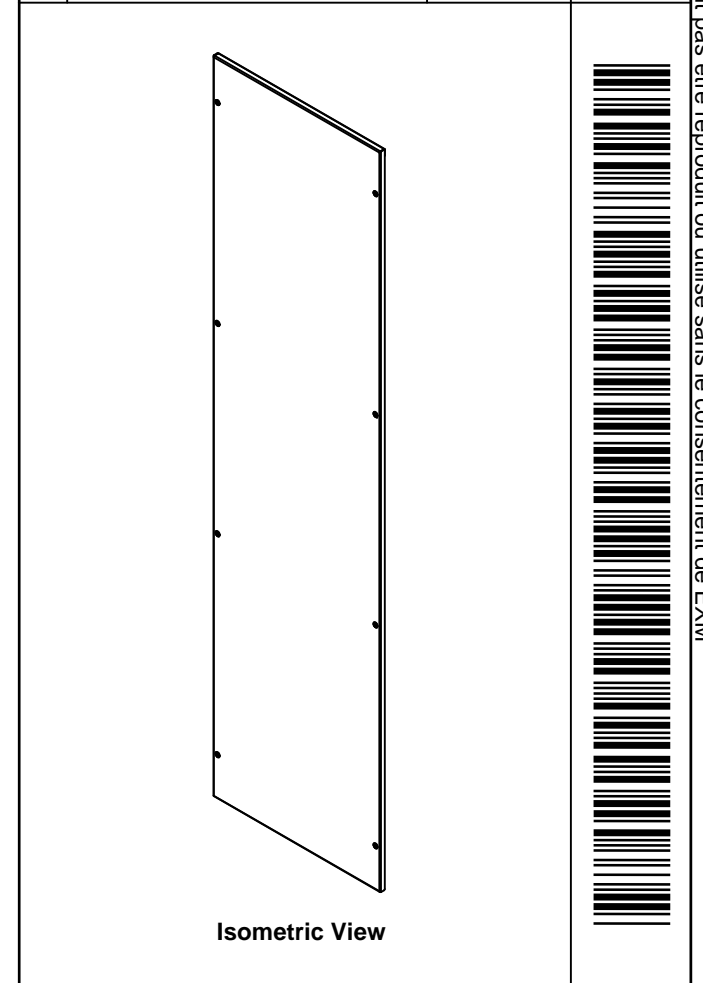


	Description	Status	
	6500 MXC 1800mm x 500mm Right	(NULL)	
	Part Number Numéro Pièce	Rev.	
	6500MXK181005R	0	2 3


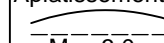
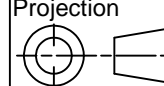
This drawing is confidential and must not be reproduced or used without the consent of EXM

Ce dessin est confidentiel et ne doit pas être reproduit ou utilisé sans le consentement de EXM

No.	Revisions	Date	By/Par



Isometric View

 Tél: (450) 979-4373 Fax: (450) 979-4626 www.exmweb.com	Flatness Aplatissement  Max 3.0mm
	Projection 
Customer Client	Date
Drawn By Dessiné Par BoxCad: Annie	Date 15/02/2015
Material Matière 16 Ga H.R.P. & O. (1.4mm)	
Color Couleur Light Grey RAL7035	Finish Fini Rough Textured
Description 6500 MXC 1800mm x 500mm Right	Detail Rev.
Part Number Numéro Pièce 6500MXK181005R	Rev. 3 0 3

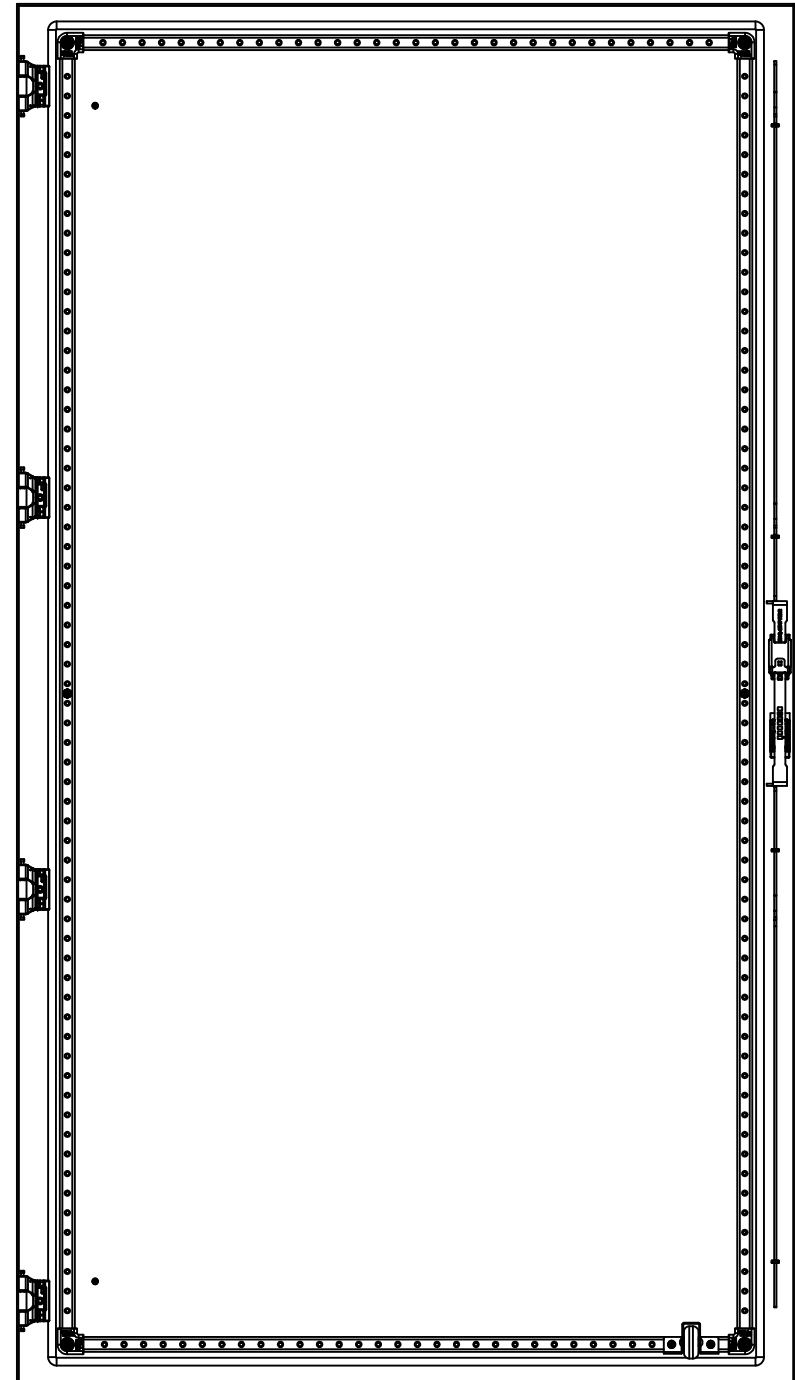
Qty	Part Number	Rev	Description
1	STK-P-03820R	0	Powder Paint (Light Grey / Rough Textured)
8	STK-Q-03072	2	M6 x 17mm Phillips Flat Head Screw
2	STK-Q-16080	0.1.1	M6 x 16mm Ground Stud
1	6500MXK181005RG	0	6500 MXC 1800mm x 500mm Right Gasket
1	6500MXK181005R-P	0	6500 MXC 1800mm x 500mm Right Part
Parts List			

This drawing is confidential and must not be reproduced or used without the consent of EXM

Ce dessin est confidentiel et ne doit pas être reproduit ou utilisé sans le consentement de EXM



TOP

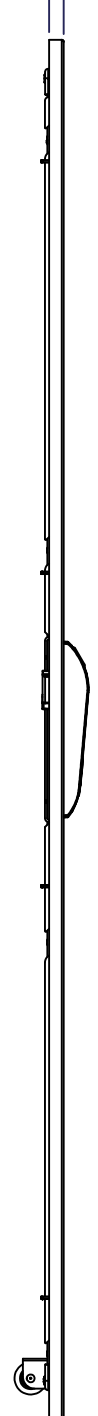


BACK



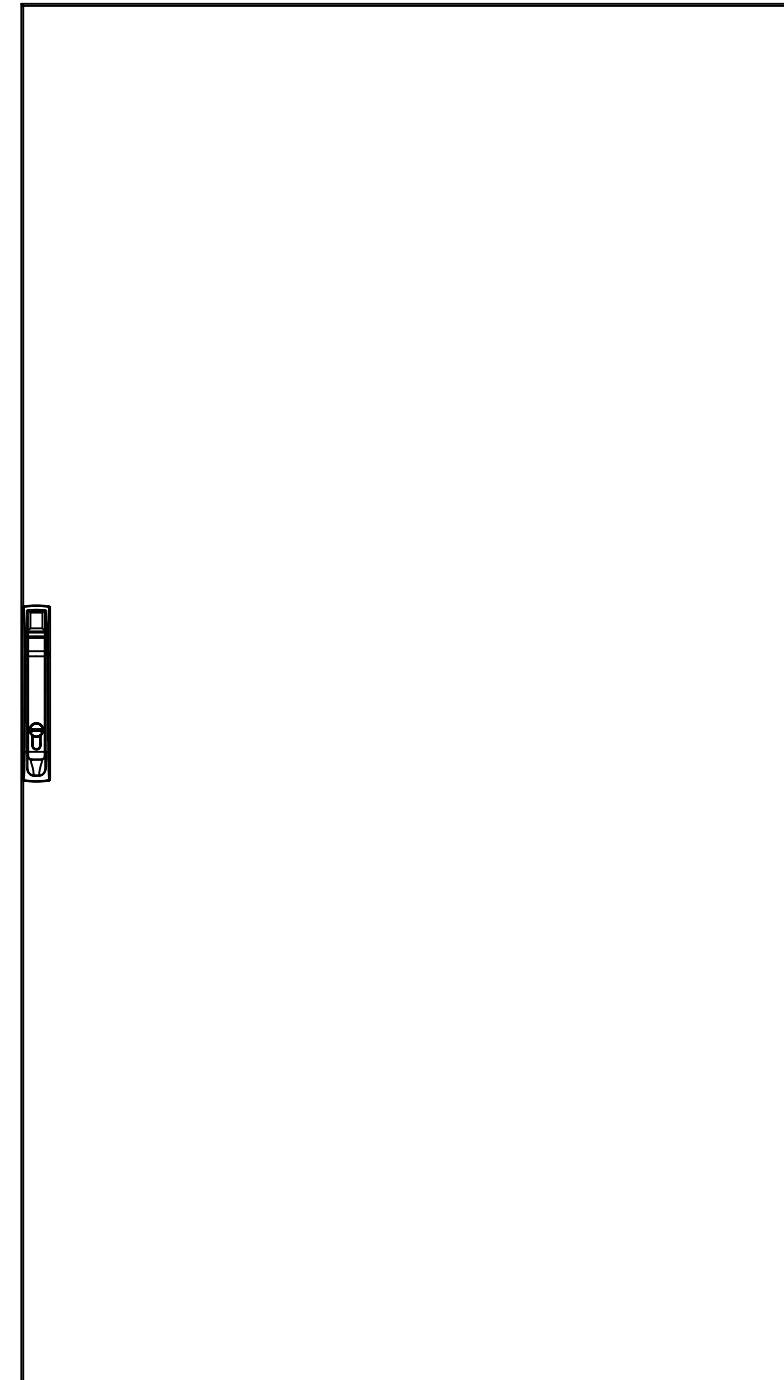
BOTTOM

0.0
18.5



LEFT

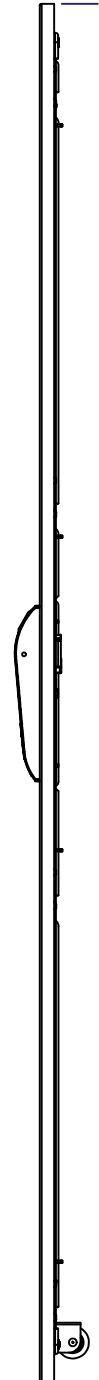
995.0



FRONT

0.0

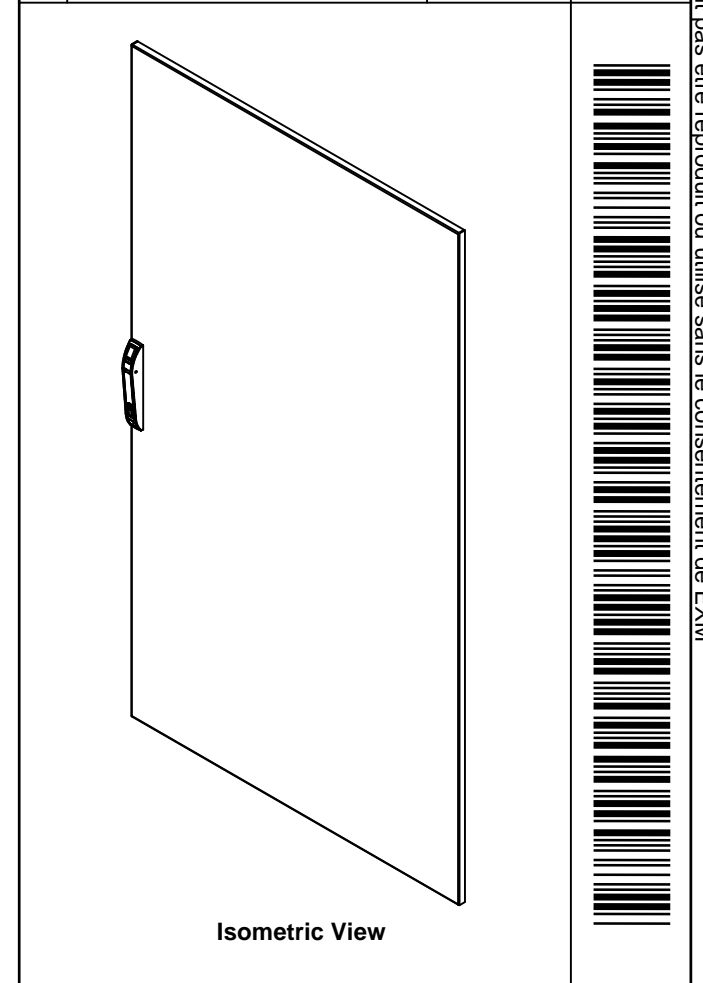
1760.0



RIGHT

0.0

No.	Revisions	Date	By/Par



Isometric View



Tél: (450) 979-4373
Fax: (450) 979-4626
www.exmweb.com

Flatness
Aplatissement
Max 3.0mm
Projection

Customer Client	Date
Drawn By Dessiné Par BoxCad: Annie	Date 15/02/2015
Material Matière 14 Ga H.R.P. & O. (1.7mm)	

Color Couleur Light Grey RAL7035	Finish Fini Rough Textured
-------------------------------------	-------------------------------

Description 6500 MXD 1800mm x 1000mm Front	Detail Rev.
---	-------------

Part Number Numéro Pièce 6500MXK181005F	Rev. 0	1 3
---	---------------	--------

SEE BILL OF MATERIAL ON LAST PAGE

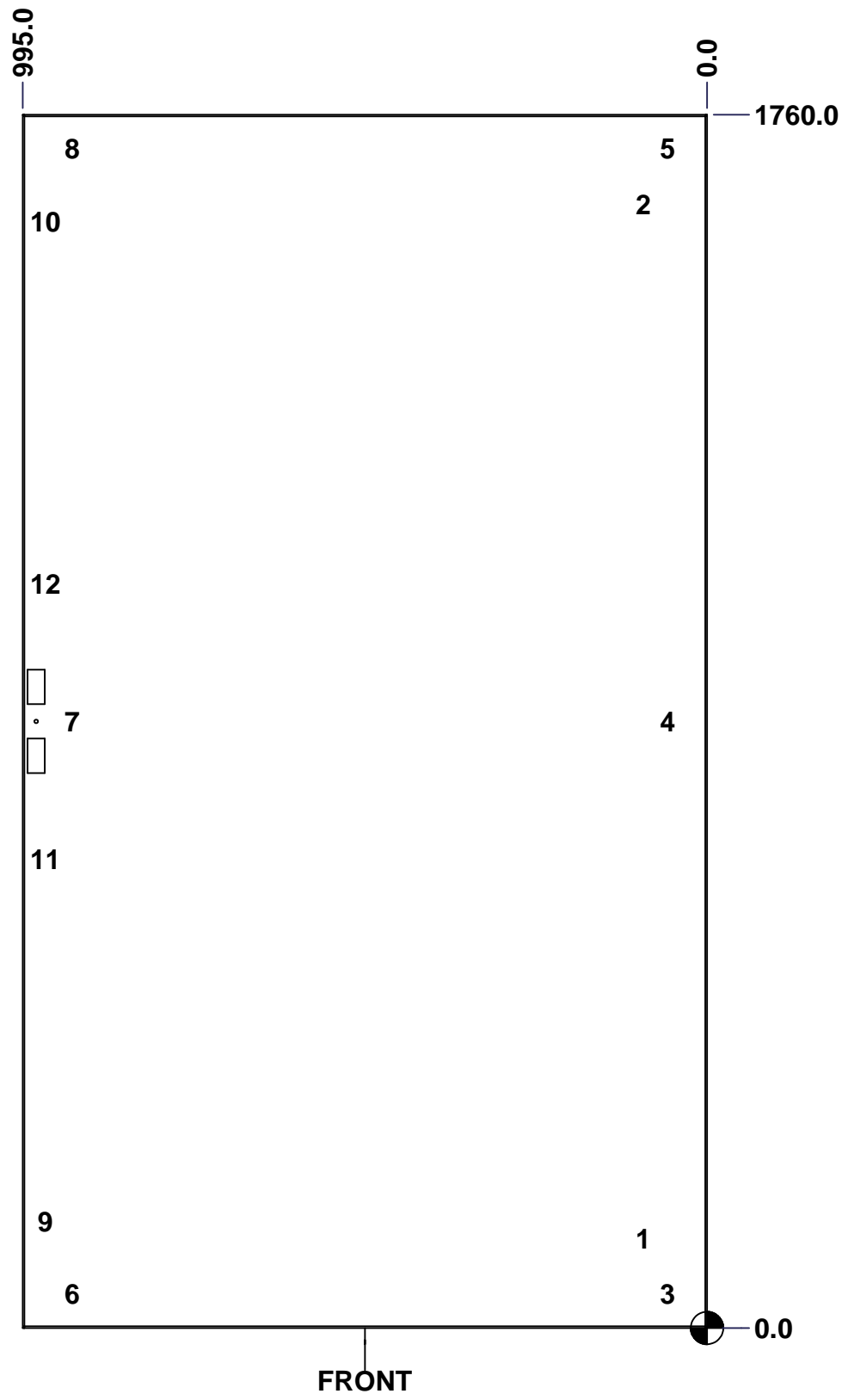
This drawing is confidential and must not be reproduced or used without the consent of EXM

Ce dessin est confidentiel et ne doit pas être reproduit ou utilisé sans le consentement de EXM

STANDARD FEATURES ARE NOT LISTED IN THIS HOLE TABLE

HOLE TABLE - FRONT VIEW (CUSTOM FEATURE ONLY)

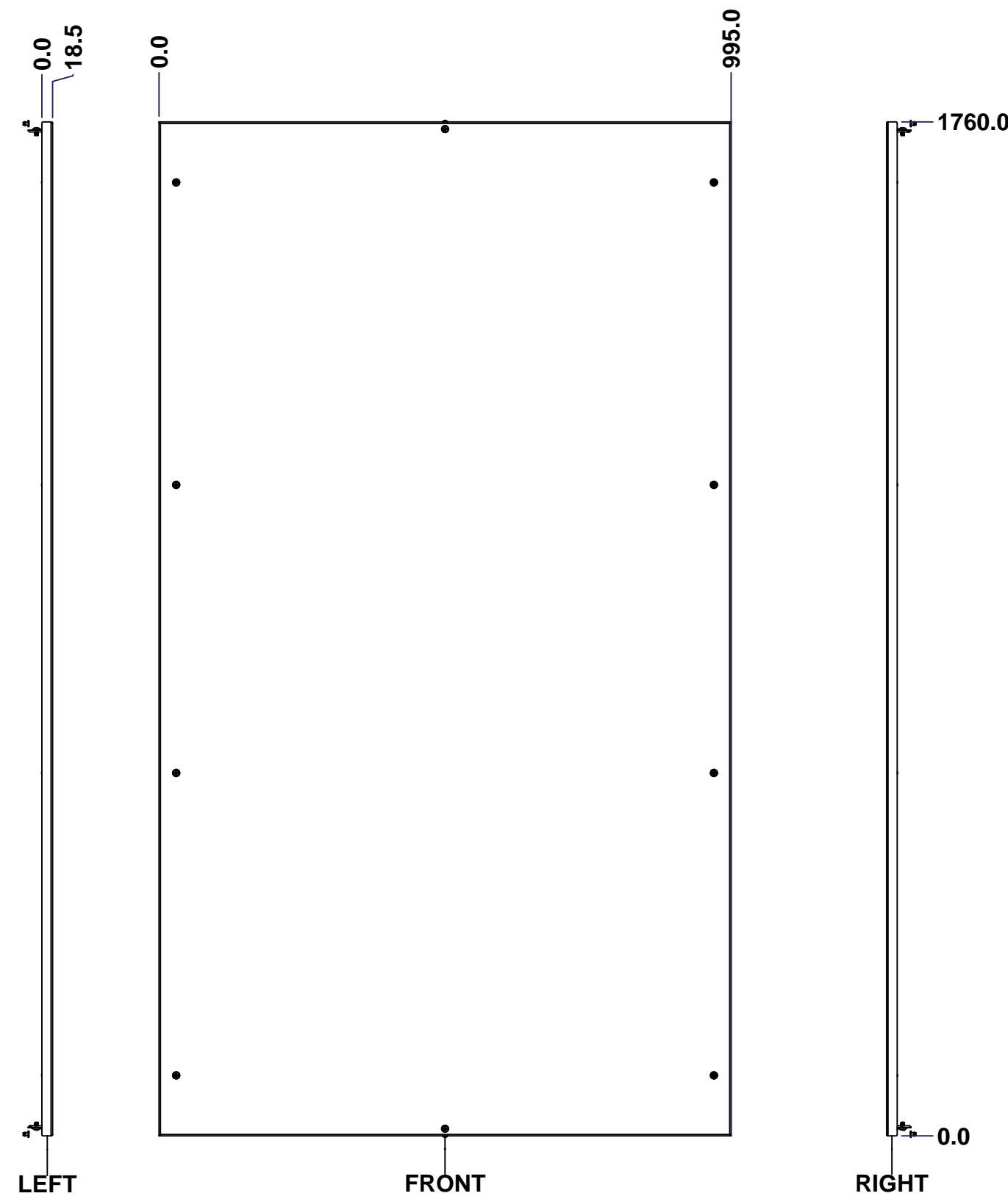
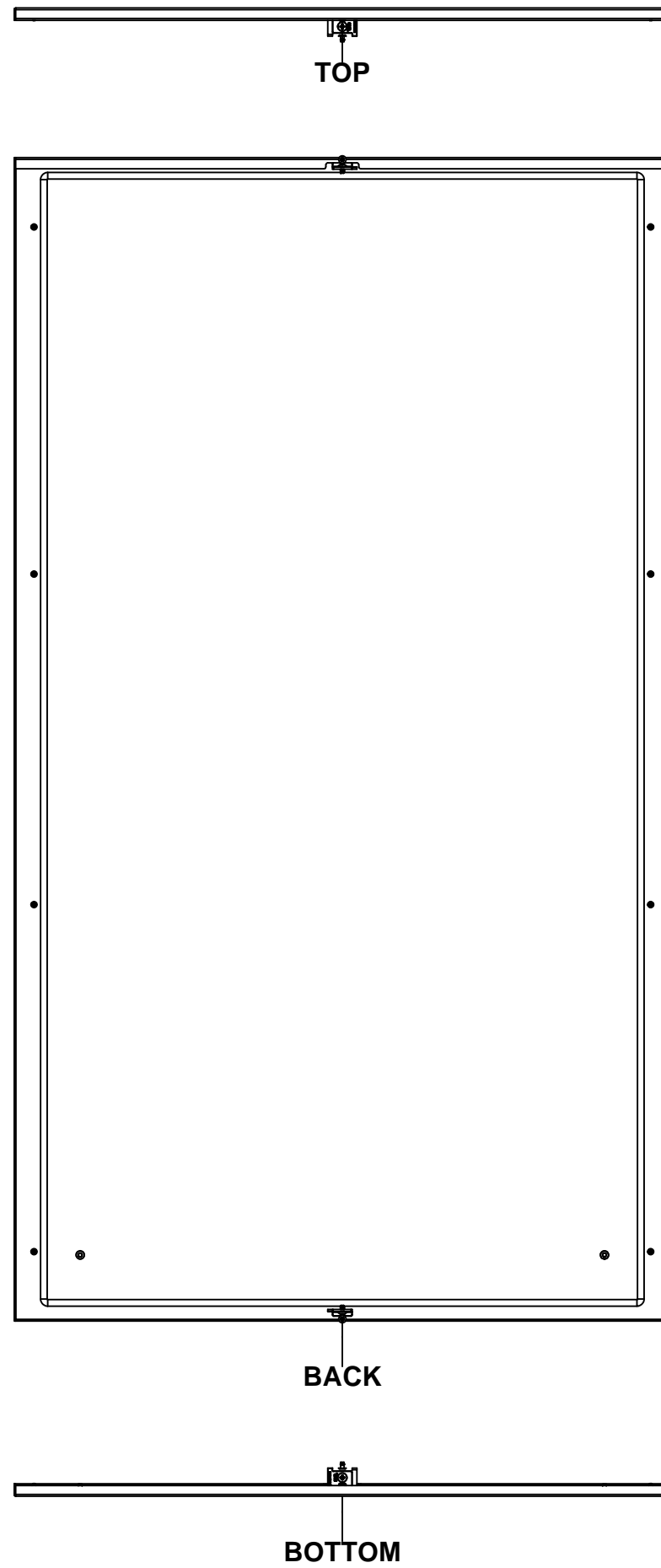
CUT-OUT	XDIM	YDIM	DESCRIPTION
1	100.0	130.0	GND STUD M6 x 16mm (Inside)
2	100.0	1630.0	GND STUD M6 x 16mm (Inside)
3	64.5	49.5	STIFF. STUD M6 x 18mm (Inside)
4	64.5	880.0	STIFF. STUD M6 x 18mm (Inside)
5	64.5	1710.5	STIFF. STUD M6 x 18mm (Inside)
6	930.5	49.5	STIFF. STUD M6 x 18mm (Inside)
7	930.5	880.0	STIFF. STUD M6 x 18mm (Inside)
8	930.5	1710.5	STIFF. STUD M6 x 18mm (Inside)
9	969.5	155.0	CLOSING BAR GUIDE (Inside)
10	969.5	1605.0	CLOSING BAR GUIDE (Inside)
11	969.5	680.0	CLOSING BAR GUIDE (Inside)
12	969.5	1080.0	CLOSING BAR GUIDE (Inside)



	Description	Status
	6500 MXD 1800mm x 1000mm Front	(NULL)
	Part Number Numéro Pièce	Rev.
	6500MXK181005F	0
		2
		3

This drawing is confidential and must not be reproduced or used without the consent of EXM

Ce dessin est confidentiel et ne doit pas être reproduit ou utilisé sans le consentement de EXM



No.	Revisions	Date	By/Par

Isometric View

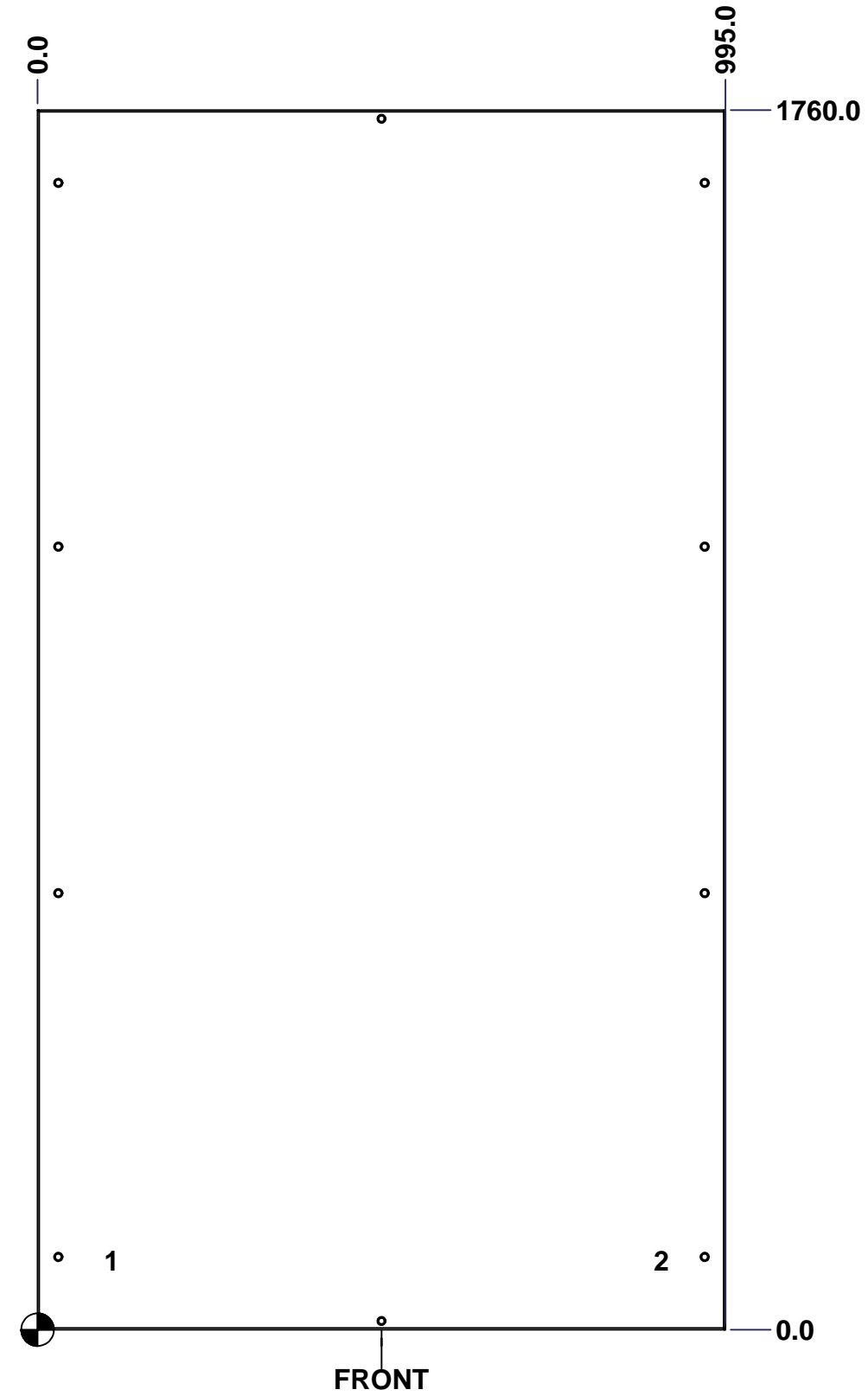
Tél: (450) 979-4373 Fax: (450) 979-4626 www.exmweb.com		Flatness Aplatissement	
		Max 3.0mm	
Customer Client		Projection	
Date			
Drawn By Dessiné Par		Date	
BoxCad: Annie		15/02/2015	
Material Matière		14 Ga H.R.P. & O. (1.7mm)	
Color Couleur		Finish Fini	
Light Grey RAL7035		Rough Textured	
Description		Detail Rev.	
6500 MXR 1800mm x 1000mm Back			
Part Number Numéro Pièce		Rev.	
6500MXK181005B		0	1 3

SEE BILL OF MATERIAL ON LAST PAGE

This drawing is confidential and must not be reproduced or used without the consent of EXM

Ce dessin est confidentiel et ne doit pas être reproduit ou utilisé sans le consentement de EXM

STANDARD FEATURES ARE NOT LISTED IN THIS HOLE TABLE			
HOLE TABLE - FRONT VIEW (CUSTOM FEATURE ONLY)			
CUT-OUT	XDIM	YDIM	DESCRIPTION
1	100.0	100.0	GND STUD M6 x 16mm (Inside)
2	895.0	100.0	GND STUD M6 x 16mm (Inside)

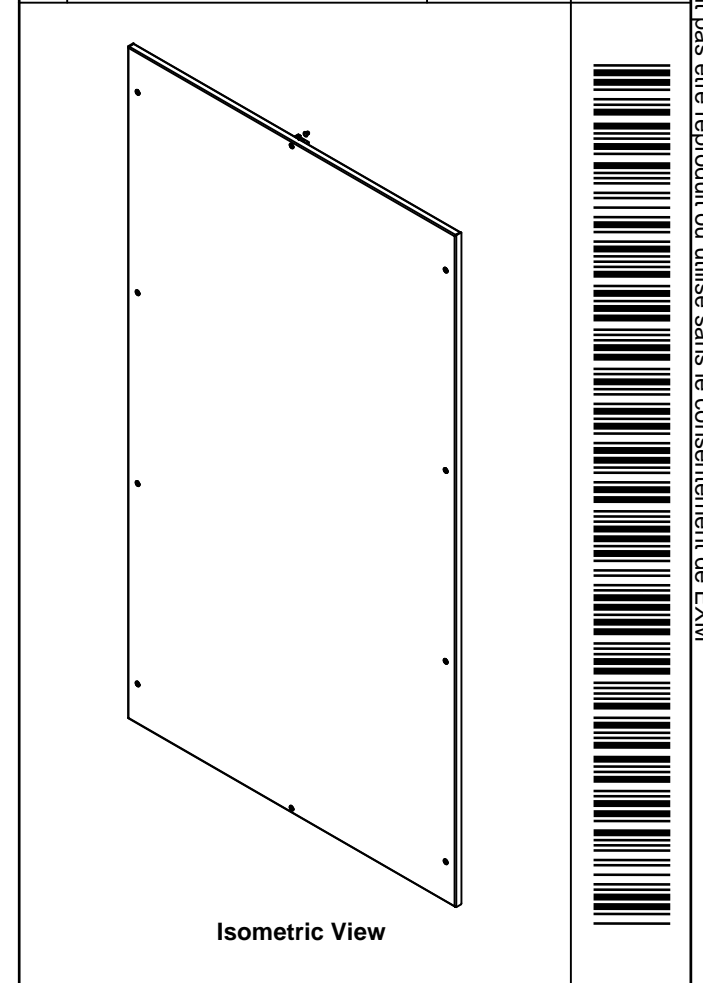



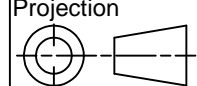
	Description	Status
	6500 MXR 1800mm x 1000mm Back	(NULL)
	Part Number Numéro Pièce	Rev.
	6500MXK181005B	0
		2
		3

This drawing is confidential and must not be reproduced or used without the consent of EXM

Ce dessin est confidentiel et ne doit pas être reproduit ou utilisé sans le consentement de EXM

No.	Revisions	Date	By/Par

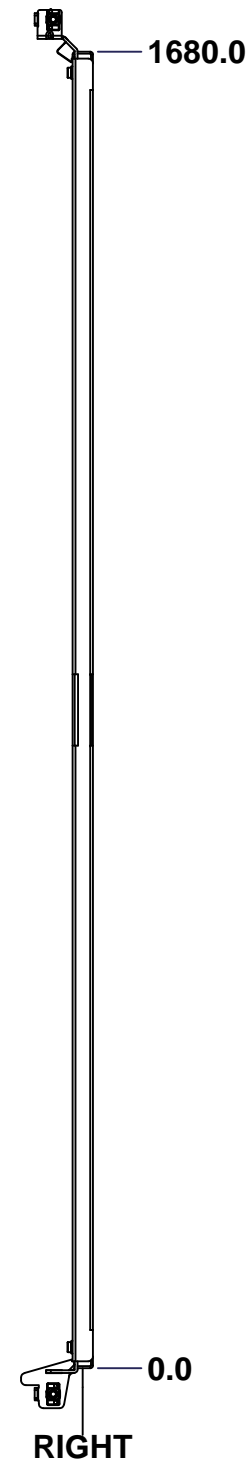
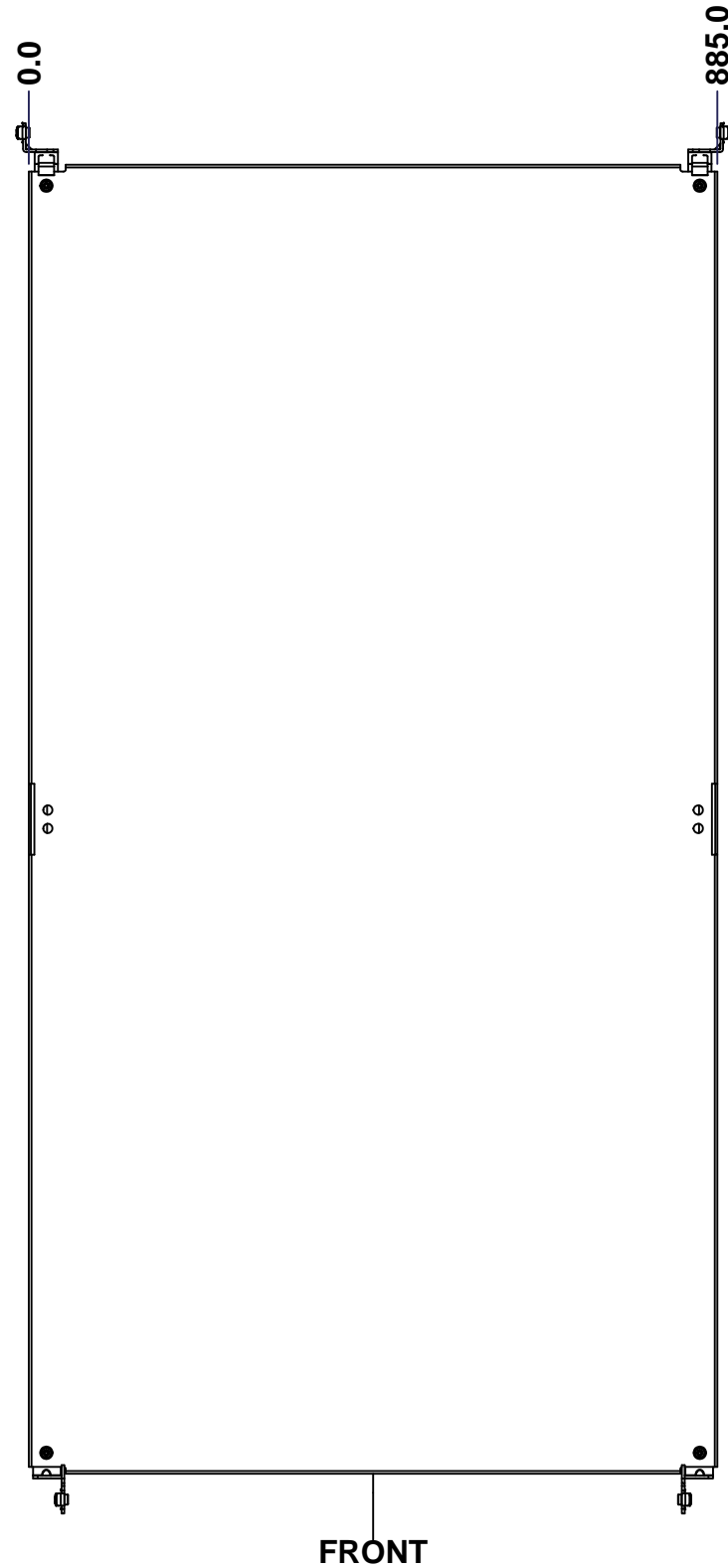
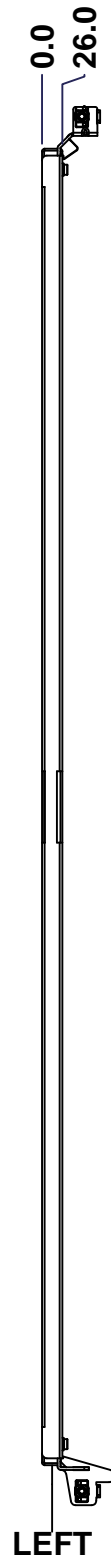
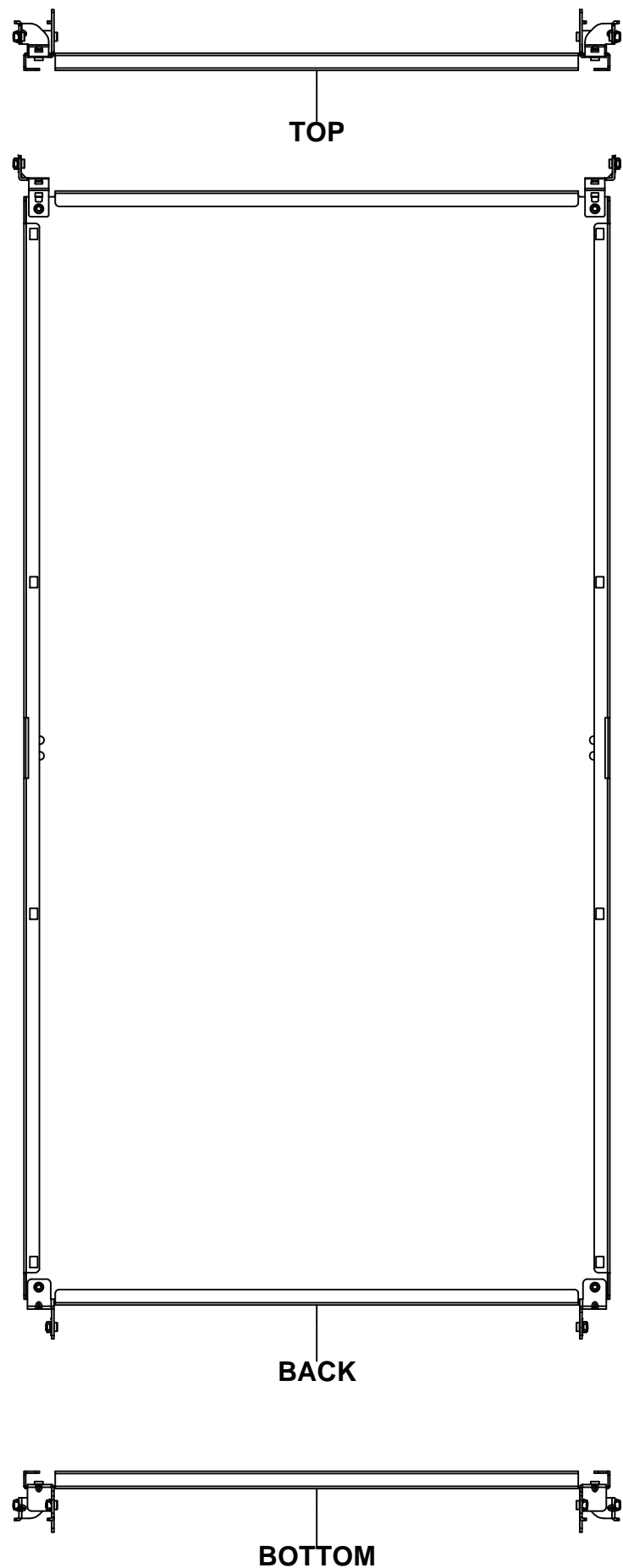


 Tél: (450) 979-4373 Fax: (450) 979-4626 www.exmweb.com		Flatness Aplatissement Max 3.0mm Projection 
Customer Client	Date	Date 15/02/2015
Drawn By Dessiné Par	BoxCad: Annie	
Material Matière	14 Ga H.R.P. & O. (1.7mm)	
Color Couleur	Light Grey RAL7035	Finish Fini Rough Textured
Description	6500 MXR 1800mm x 1000mm Back	
Part Number Numéro Pièce	Rev. 0	3

Qty	Part Number	Rev	Description
1	STK-P-03820R	0	Powder Paint (Light Grey / Rough Textured)
2	STK-Q-77120	1	6500MX-Frame Rubber Plug
10	STK-Q-03072	2	M6 x 17mm Phillips Flat Head Screw
2	STK-Q-16080	0.1	M6 x 16mm Ground Stud
1	6500MXK181005BG	0	6500 MXR 1800mm x 1000mm Back Gasket
1	6500MXK181005B-P	0	6500 MXR 1800mm x 1000mm Back Part
2	STK-K-11010	3	Partial Fixed Bracket Kit
Parts List			

This drawing is confidential and must not be reproduced or used without the consent of EXM

Ce dessin est confidentiel et ne doit pas être reproduit ou utilisé sans le consentement de EXM



No.	Revisions	Date	By/Par

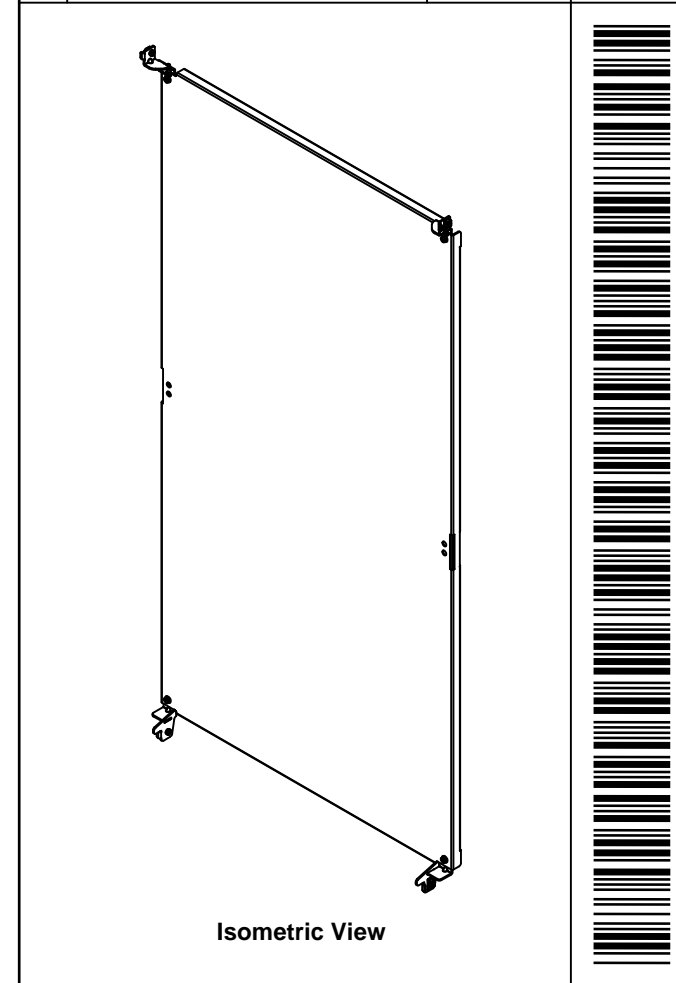
Isometric View


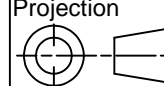
Tél: (450) 979-4373 Fax: (450) 979-4626 www.exmweb.com		Flatness Aplatissement	
		Max 3.0mm	
Customer Client		Projection	
Date			
Drawn By Dessiné Par BoxCad: Annie		Date 15/02/2015	
Material Matière 12 Ga Galvanized (2.5mm)		Color Couleur Unpainted	
Description 6500 MXM 1800mm x 1000mm Back Inner Panel		Finish Fini Unpainted	
Part Number Numéro Pièce 6500MXK181005BIP		Detail Rev.	
SEE BILL OF MATERIAL ON LAST PAGE		Rev. 0	1 / 3

This drawing is confidential and must not be reproduced or used without the consent of EXM

Ce dessin est confidentiel et ne doit pas être reproduit ou utilisé sans le consentement de EXM

No.	Revisions	Date	By/Par



 Tél: (450) 979-4373 Fax: (450) 979-4626 www.exmweb.com		Flatness Aplatissement Max 3.0mm Projection 
Customer Client	Date	
Drawn By Dessiné Par	BoxCad: Annie	Date 15/02/2015
Material Matière	12 Ga Galvanized (2.5mm)	
Color Couleur	Unpainted	Finish Fini Unpainted
Description		Detail Rev.
6500 MXM 1800mm x 1000mm Back Inner Panel		
Part Number Numéro Pièce	Rev.	3
6500MXK181005BIP	0	3

Qty	Part Number	Rev	Description
1	STK-A-49005	0	6500MXM - Bottom Inner Panel Support Kit (Right)
1	STK-A-49000	0	6500MXM - Bottom Inner Panel Support Kit (Left)
1	STK-A-49015	0	6500MXM - Top Inner Panel Support Kit (Right)
1	STK-A-49010	0	6500MXM - Top Inner Panel Support Kit (Left)
1	6500MXK181005BIP-P	0	6500 MXM 1800mm x 1000mm Back Inner Panel Part
Parts List			