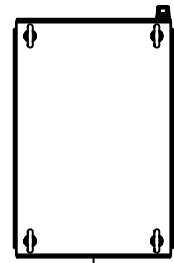
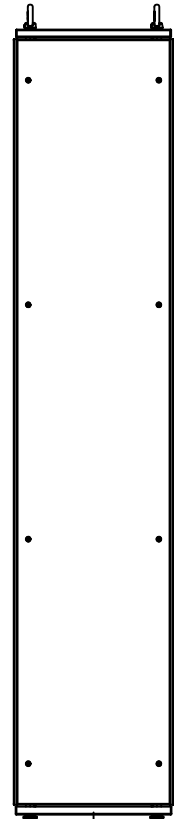


This drawing is confidential and must not be reproduced or used without the consent of EXM

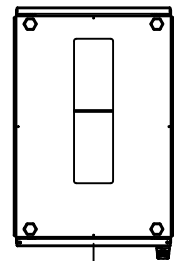
Ce dessin est confidentiel et ne doit pas être reproduit ou utilisé sans le consentement de EXM



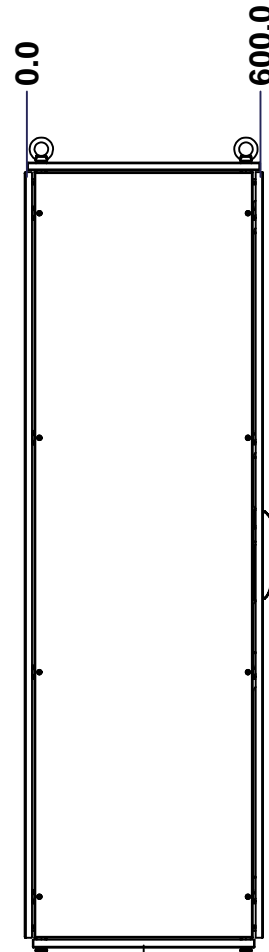
TOP



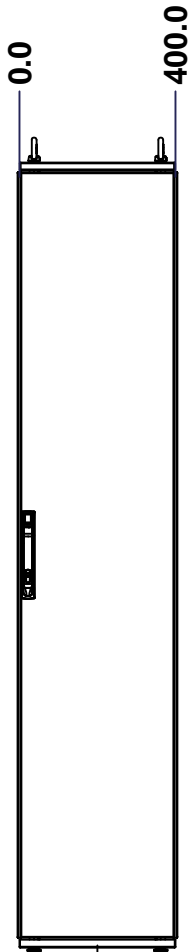
BACK



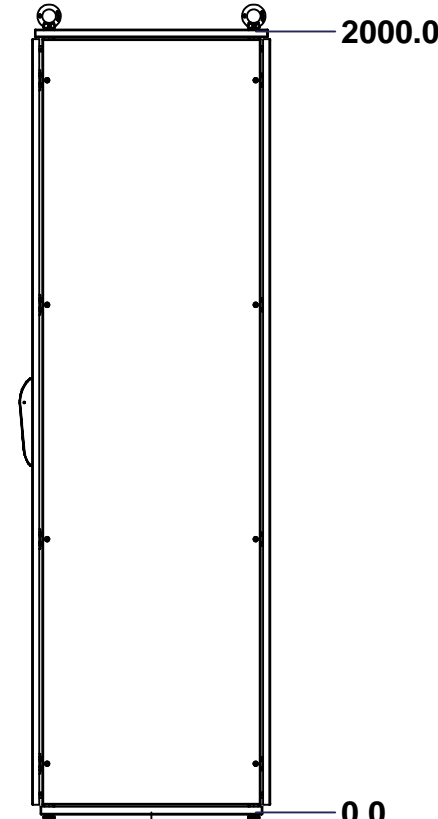
BOTTOM



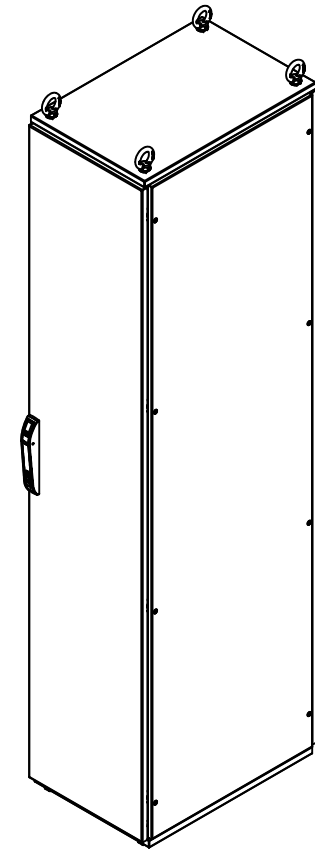
LEFT



FRONT




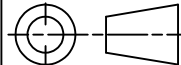
RIGHT



Isometric View



No.	Revisions	Date	By/Par
1		07/08/2014	

 Tél: (450) 979-4373 Fax: (450) 979-4626 www.exmweb.com		Flatness Aplatissement Max 3.0mm Projection 
Customer Client	Date	
Drawn By Dessiné Par	BoxCad: Annie	Date 06/08/2014
Material Matière	See Part List	
Color Couleur	See Part List	Finish Fini See Part List
Description 6500MX 2000mm x 400mm x 600mm Assembly	Detail Rev.	
Part Number Numéro Pièce	Rev. 1	2

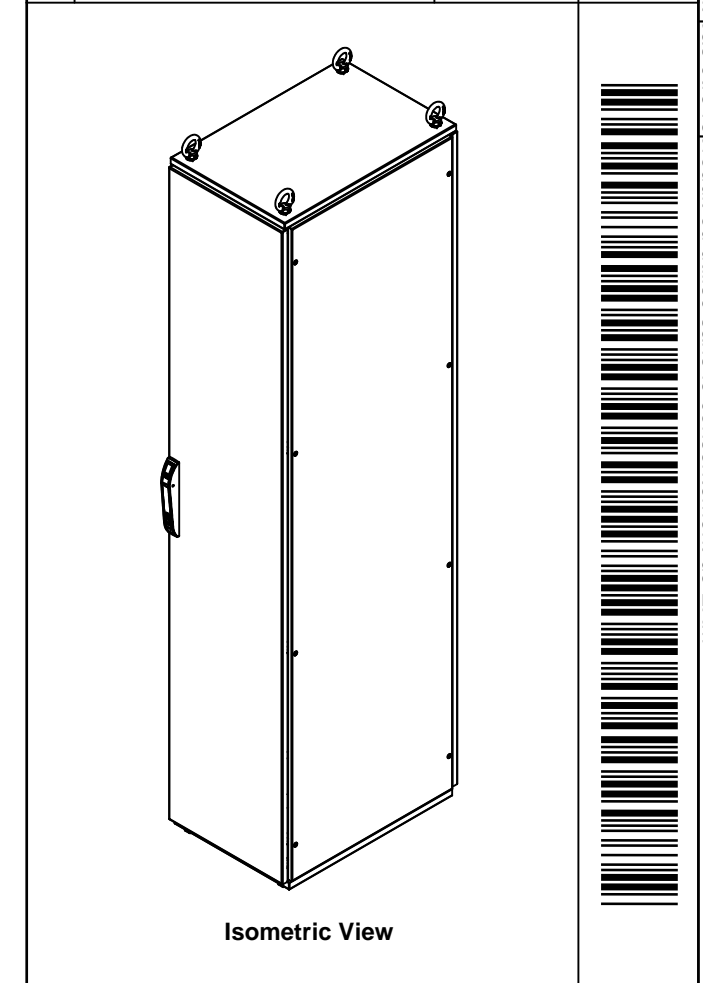
SEE BILL OF MATERIAL ON LAST PAGE

6500MXK200406

This drawing is confidential and must not be reproduced or used without the consent of EXM

Ce dessin est confidentiel et ne doit pas être reproduit ou utilisé sans le consentement de EXM

No.	Revisions	Date	By/Par
1		07/08/2014	

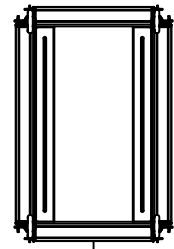


Tél: (450) 979-4373 Fax: (450) 979-4626 www.exmweb.com		Flatness Aplatissement
		Max 3.0mm
Customer Client		Date
Drawn By Dessiné Par BoxCad: Annie		Date 06/08/2014
Material Matière		See Part List
Color Couleur	See Part List	Finish Fini See Part List
Description 6500MX 2000mm x 400mm x 600mm Assembly		Detail Rev.
Part Number Numéro Pièce		Rev. 2
6500MXK200406		1

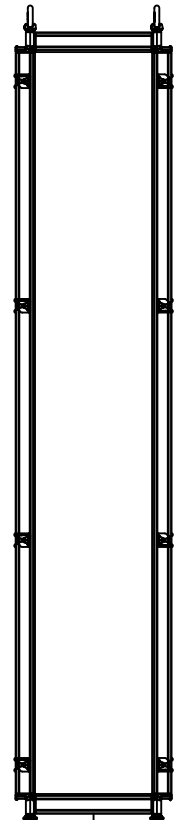
Qty	Part Number	Rev	Description
1	6500MXK200406BIP	1	6500 MXM 2000mm x 400mm Back Inner Panel
1	6500MXK200406R	1	6500 MXC 2000mm x 600mm Right
1	6500MXK200406L	1	6500 MXC 2000mm x 600mm Left
1	6500MXK200406F	1	6500 MXD 2000mm x 400mm Front
1	6500MXK200406B	1	6500 MXR 2000mm x 400mm Back
1	6500MXK200406BT	1	6500 MXB 400mm x 600mm Bottom
1	6500MXK200406T	1	6500 MXT 400mm x 600mm Top
1	6500MXK200406FR	1	6500 MX 2000mm x 400mm x 600mm Frame
Parts List			

This drawing is confidential and must not be reproduced or used without the consent of EXM

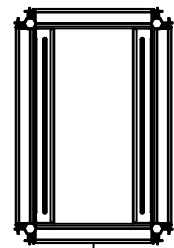
Ce dessin est confidentiel et ne doit pas être reproduit ou utilisé sans le consentement de EXM



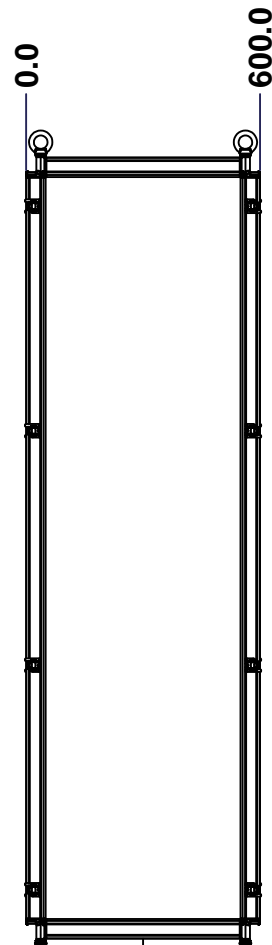
TOP



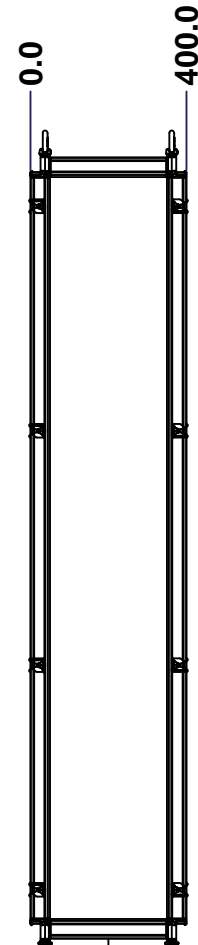
BACK



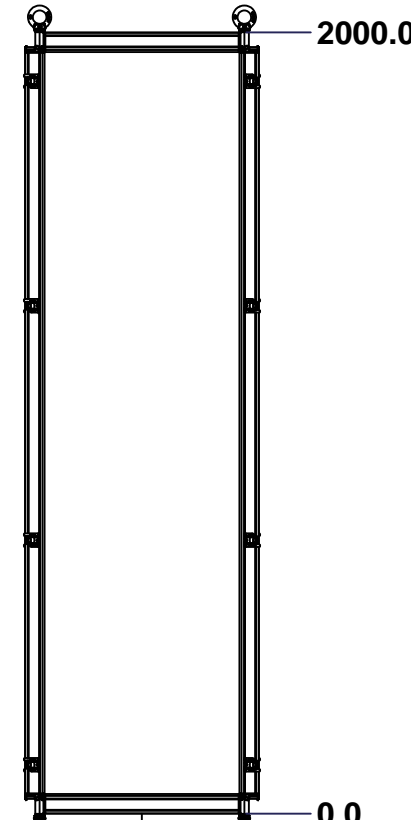
BOTTOM



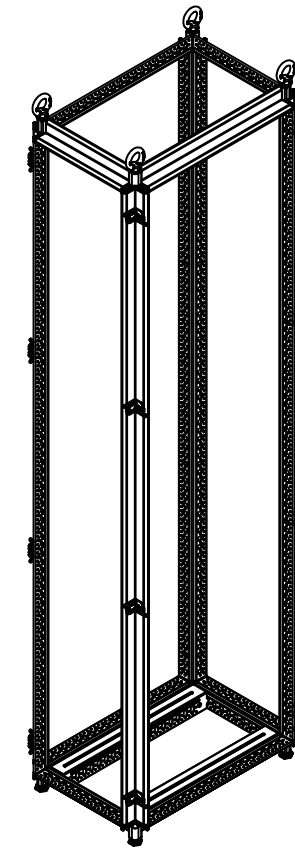
LEFT



FRONT




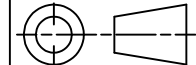
RIGHT



Isometric View



No.	Revisions	Date	By/Par
1		07/08/2014	

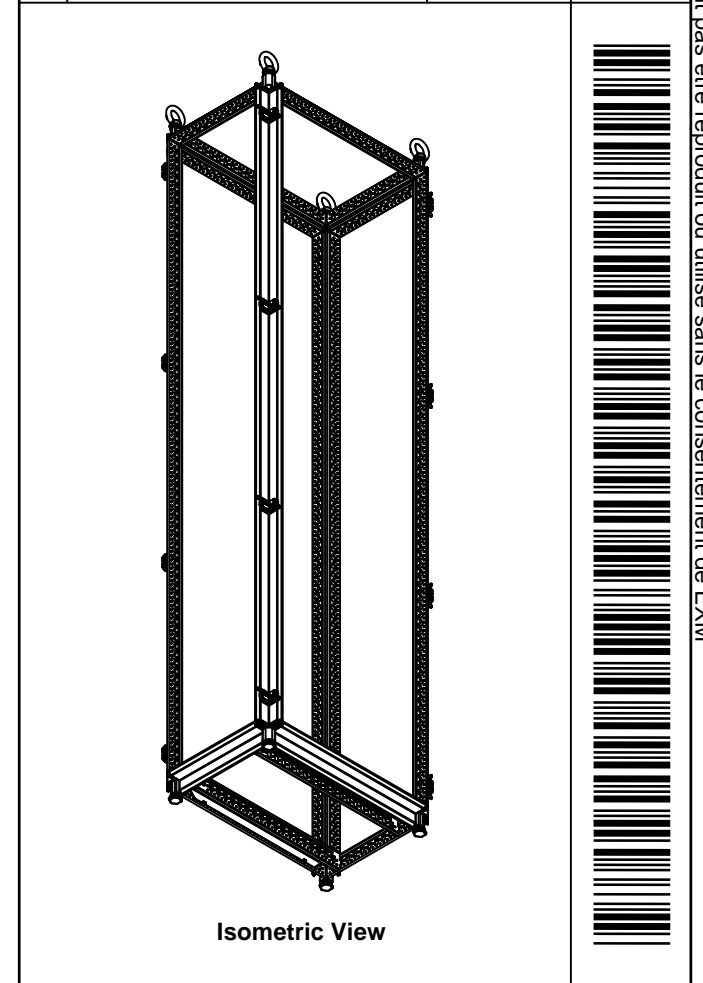
 Tél: (450) 979-4373 Fax: (450) 979-4626 www.exmweb.com		Flatness Aplatissement Max 3.0mm Projection 
Customer Client	Date	
Drawn By Dessiné Par	BoxCad: Annie	Date 06/08/2014
Material Matière	16 Ga Electro-Galvanized (1.4mm)	
Color Couleur	Iron Grey RAL7011	Finish Fini Rough Textured
Description	Detail Rev.	
6500 MX 2000mm x 400mm x 600mm Frame		
Part Number Numéro Pièce	Rev.	
6500MXK200406FR	1	1 2


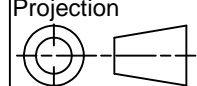
SEE BILL OF MATERIAL ON LAST PAGE

This drawing is confidential and must not be reproduced or used without the consent of EXM

Ce dessin est confidentiel et ne doit pas être reproduit ou utilisé sans le consentement de EXM

No.	Revisions	Date	By/Par
1		07/08/2014	

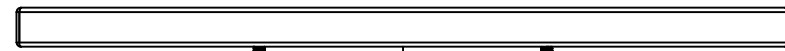


		Tél: (450) 979-4373 Fax: (450) 979-4626 www.exmweb.com		Flatness Aplatissement Max 3.0mm Projection 	
Customer Client		Date		Date 06/08/2014	
Drawn By Dessiné Par		BoxCad: Annie		Date	
Material Matière		16 Ga Electro-Galvanized (1.4mm)			
Color Couleur		Iron Grey RAL7011		Finish Fini Rough Textured	
Description 6500 MX 2000mm x 400mm x 600mm Frame				Detail Rev.	
Part Number Numéro Pièce		6500MXK200406FR		Rev. 2	
				1	

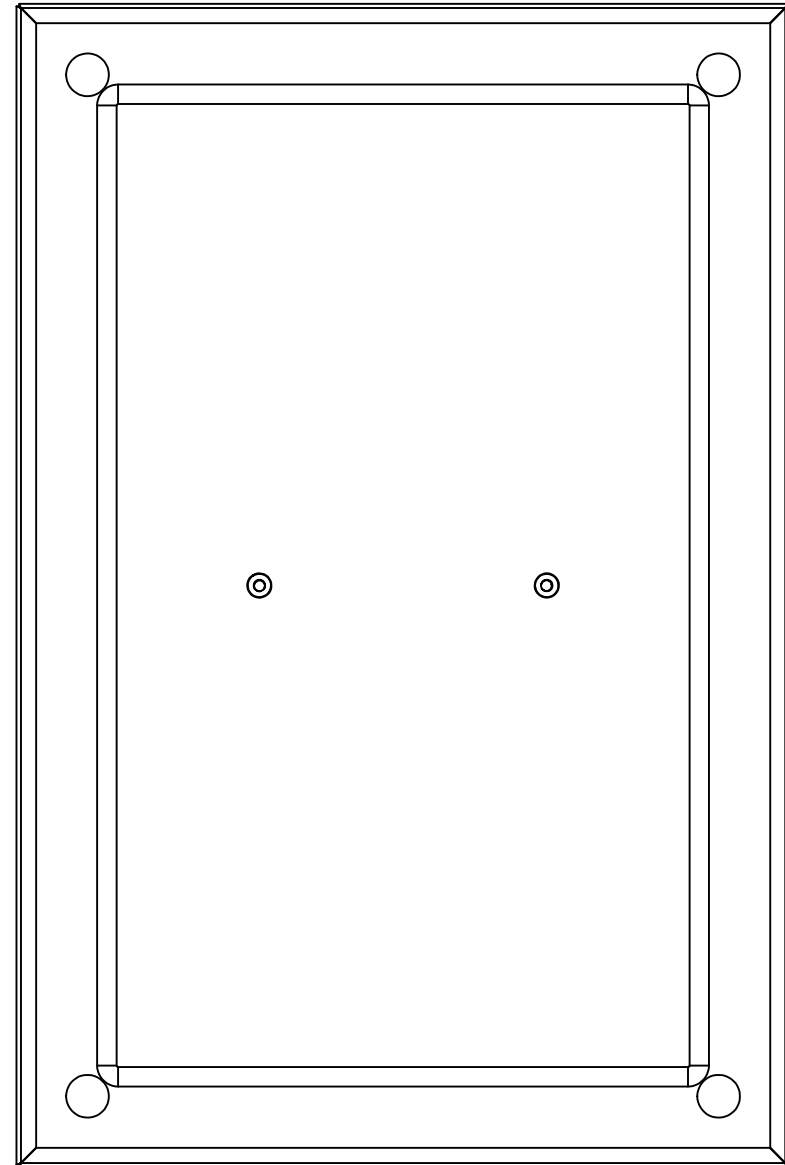
1	STK-P-03810R	0	Powder Paint (Iron Grey / Rough Textured)
1	STK-Q-49060	3	6500 MXM Inner Panel Slider 600mm
1	STK-Q-49060-L	3	6500 MXM Inner Panel Slider 600mm
4	STK-Q-49500	3	M12 Eye Bolt (0.34T)
4	STK-Q-61110	0	M12 Feet Leveler
8	STK-Q-00610	1	M18 x 30.5mm Bolt - Cover
4	STK-Q-47251-20	3	6500 MX 2000mm Vertical Frame Post Part
4	STK-Q-47250-04	3	6500 MX 400mm Horizontal Frame Post Part
4	STK-Q-47250-06	3	6500 MX 600mm Horizontal Frame Post Part
8	STK-Q-49445	2	6500 MX - Frame Corner Bracket Casting
16	STK-K-11001	2	3 Way Fixed Bracket Kit
Qty	Part Number	Rev	Description
Parts List			

This drawing is confidential and must not be reproduced or used without the consent of EXM

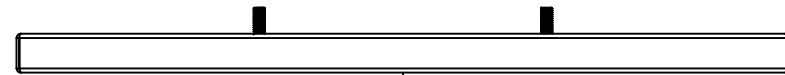
Ce dessin est confidentiel et ne doit pas être reproduit ou utilisé sans le consentement de EXM



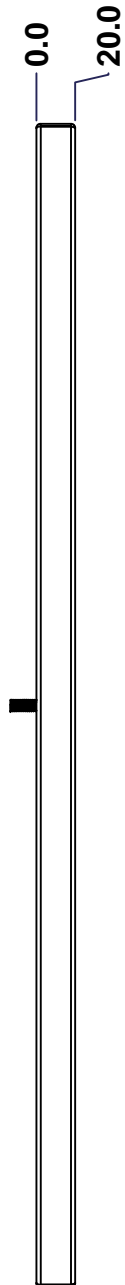
TOP



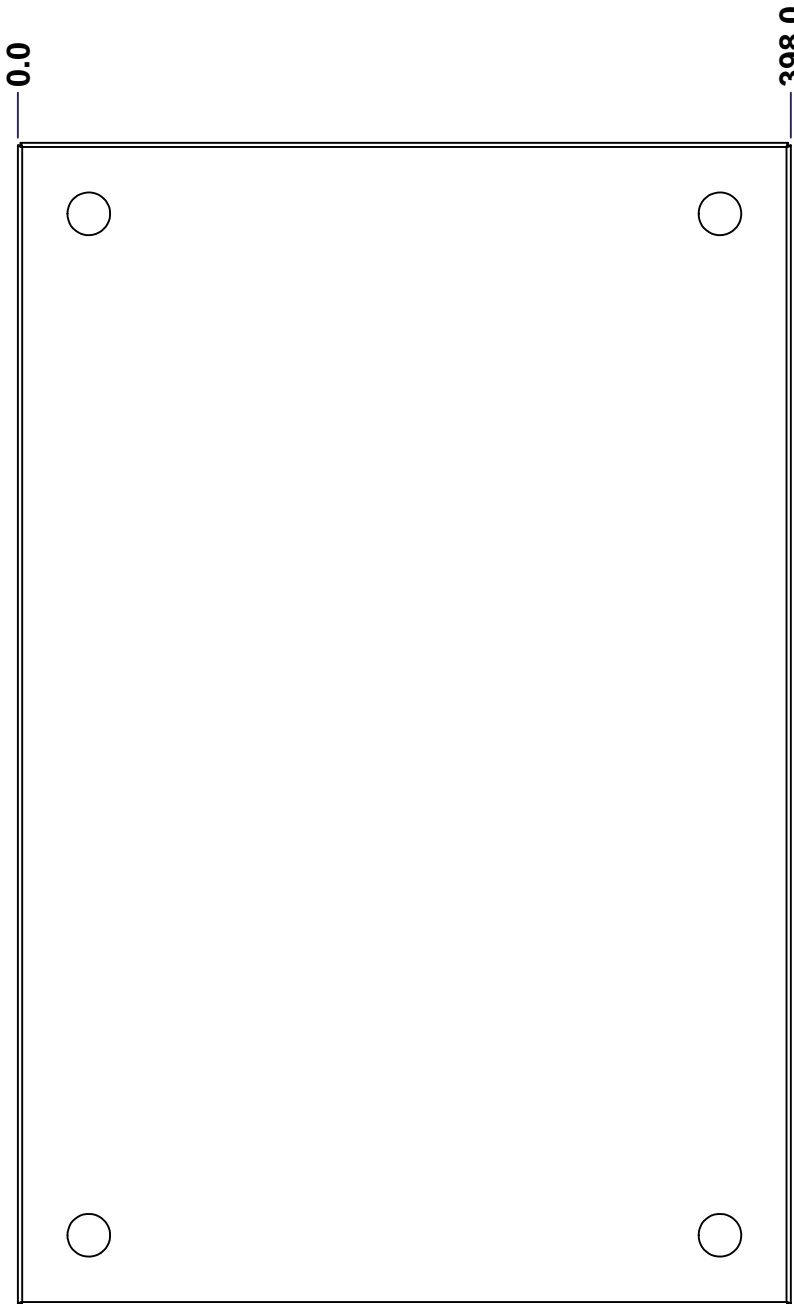
BACK



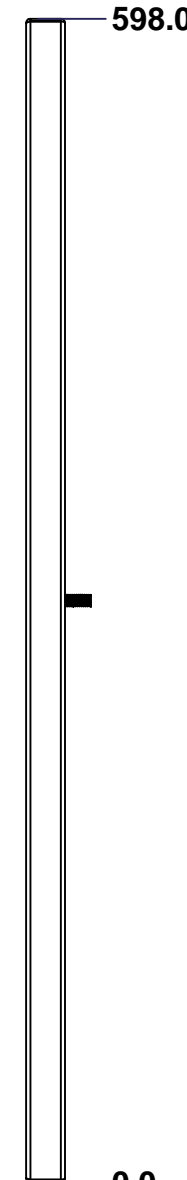
BOTTOM



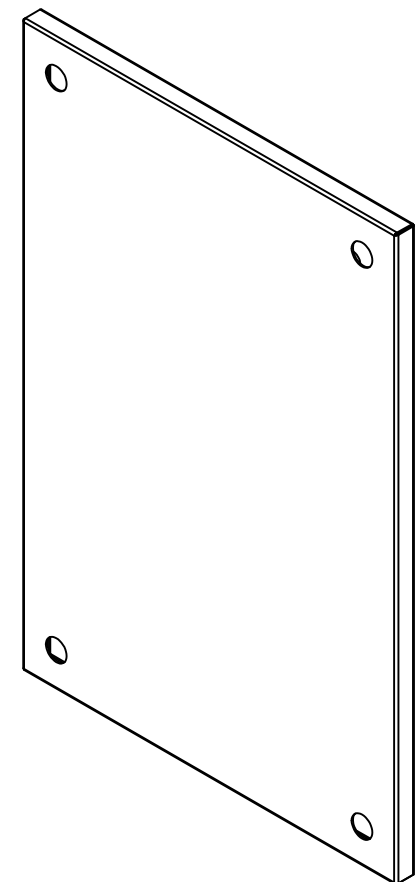
LEFT



FRONT




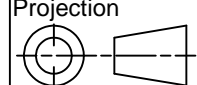
RIGHT



Isometric View



No.	Revisions	Date	By/Par
1		07/08/2014	

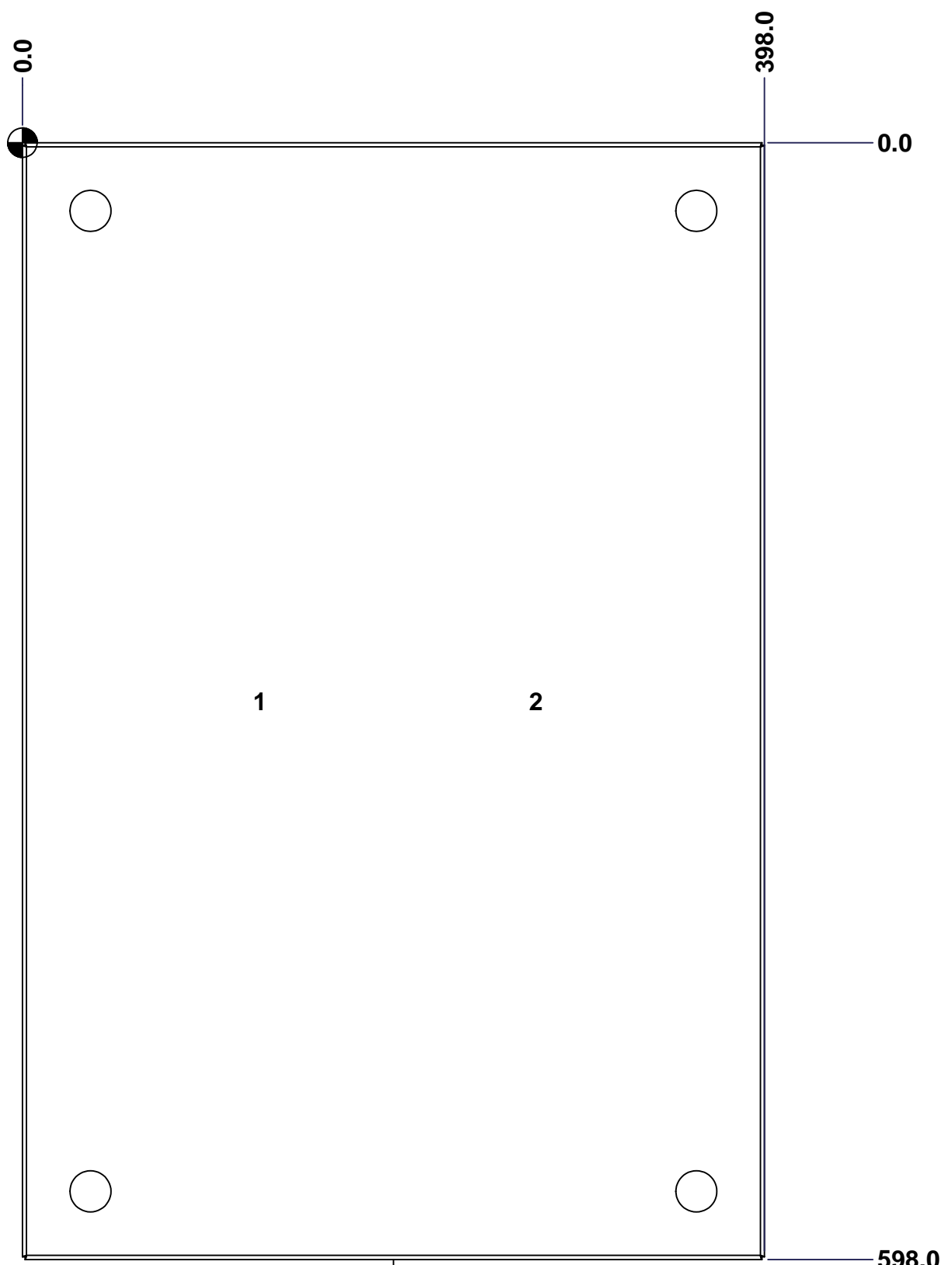
 Tél: (450) 979-4373 Fax: (450) 979-4626 www.exmweb.com		Flatness Aplatissement Max 3.0mm Projection 
Customer Client	Date	
Drawn By Dessiné Par	BoxCad: Annie	Date 06/08/2014
Material Matière	16 Ga H.R.P. & O. (1.4mm)	
Color Couleur	Iron Grey RAL7011	Finish Fini
Description		Detail Rev.
6500 MXT 400mm x 600mm Top		
Part Number Numéro Pièce	Rev.	
6500MXK200406T	1	1 / 3

SEE BILL OF MATERIAL ON LAST PAGE

This drawing is confidential and must not be reproduced or used without the consent of EXM

Ce dessin est confidentiel et ne doit pas être reproduit ou utilisé sans le consentement de EXM

STANDARD FEATURES ARE NOT LISTED IN THIS HOLE TABLE			
HOLE TABLE - FRONT VIEW (CUSTOM FEATURE ONLY)			
CUT-OUT	XDIM	YDIM	DESCRIPTION
1	125.0	299.0	GND STUD M6 x 16mm (Inside)
2	273.0	299.0	GND STUD M6 x 16mm (Inside)



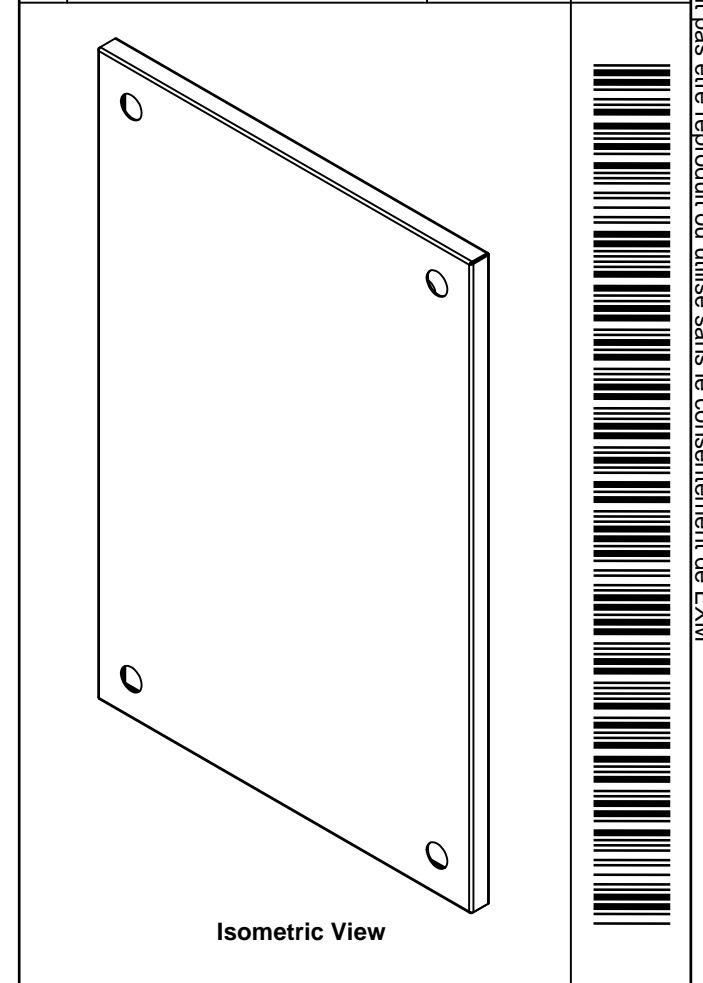
FRONT


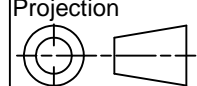
	Description	Status
	6500 MXT 400mm x 600mm Top	(NULL)
	Part Number Numéro Pièce	Rev.
	6500MXK200406T	1
		2
		3

This drawing is confidential and must not be reproduced or used without the consent of EXM

Ce dessin est confidentiel et ne doit pas être reproduit ou utilisé sans le consentement de EXM

No.	Revisions	Date	By/Par
1		07/08/2014	

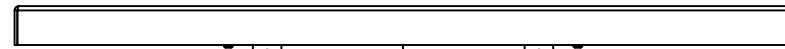


 Tél: (450) 979-4373 Fax: (450) 979-4626 www.exmweb.com		Flatness Aplatissement Max 3.0mm Projection 
Customer Client	Date	
Drawn By Dessiné Par	BoxCad: Annie	Date 06/08/2014
Material Matière	16 Ga H.R.P. & O. (1.4mm)	
Color Couleur	Iron Grey RAL7011	Finish Fini Rough Textured
Description		Detail Rev.
6500 MXT 400mm x 600mm Top		
Part Number Numéro Pièce	Rev.	3
6500MXK200406T	1	3

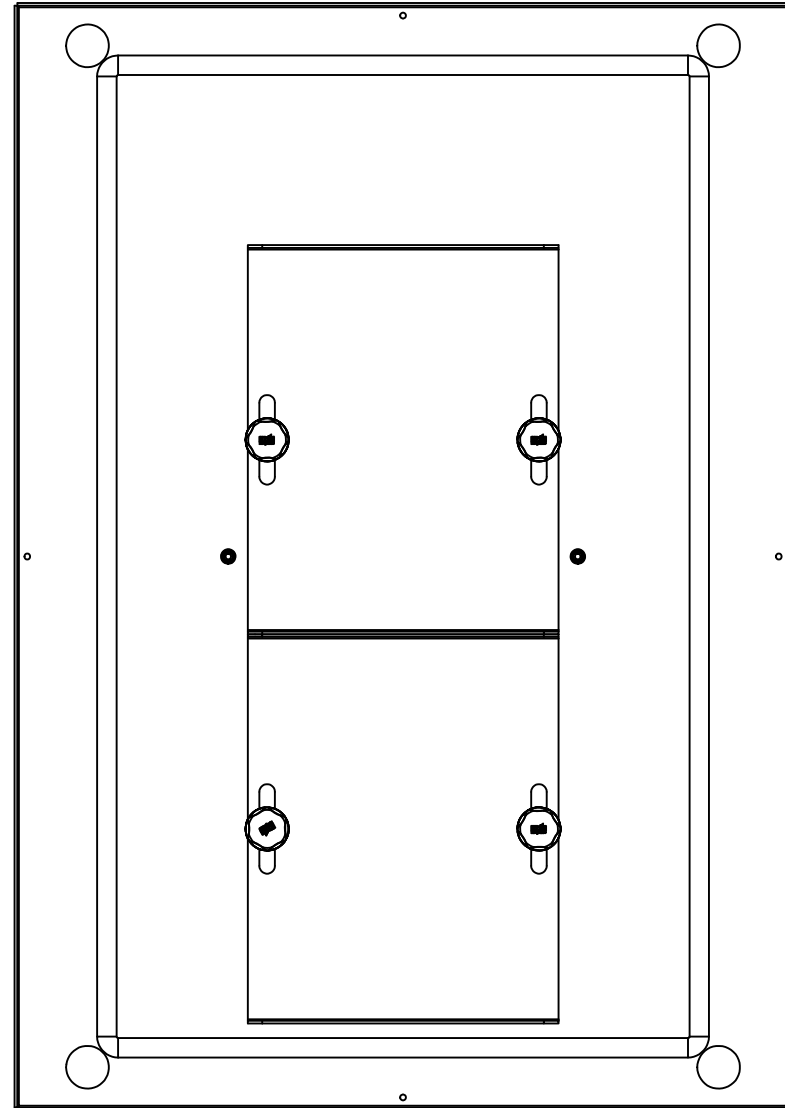
Qty	Part Number	Rev	Description
1	STK-P-03810R	0	Powder Paint (Iron Grey / Rough Textured)
2	STK-Q-16080	0.1.1	M6 x 16mm Ground Stud
1	6500MXK200406TG	1	6500 MXT 400mm x 600mm Top Gasket
1	6500MXK200406T-P	1	6500 MXT 400mm x 600mm Top Part
Parts List			

This drawing is confidential and must not be reproduced or used without the consent of EXM

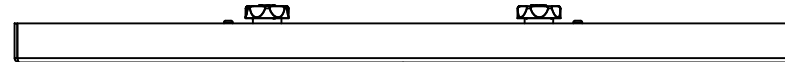
Ce dessin est confidentiel et ne doit pas être reproduit ou utilisé sans le consentement de EXM



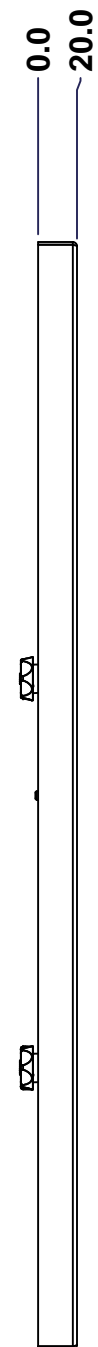
TOP



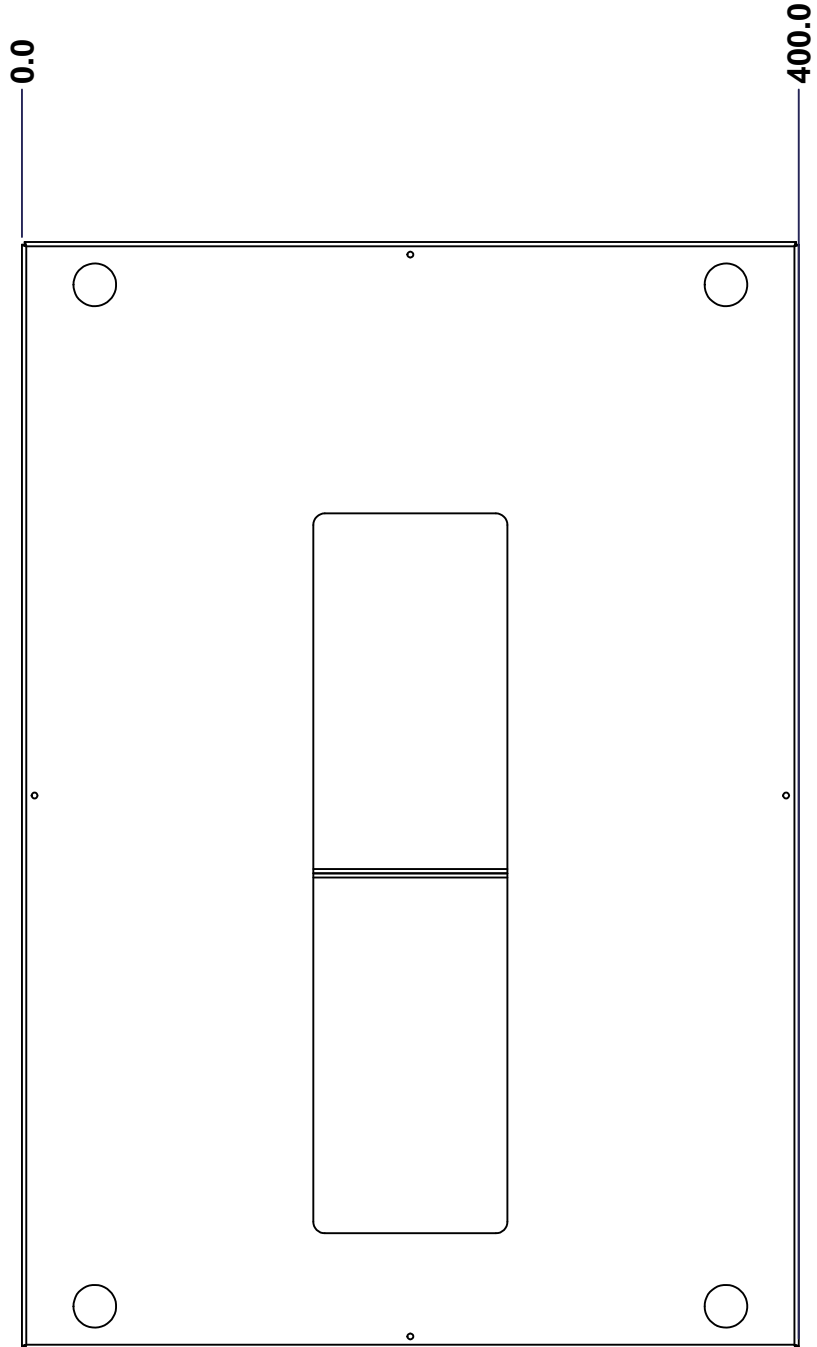
BACK



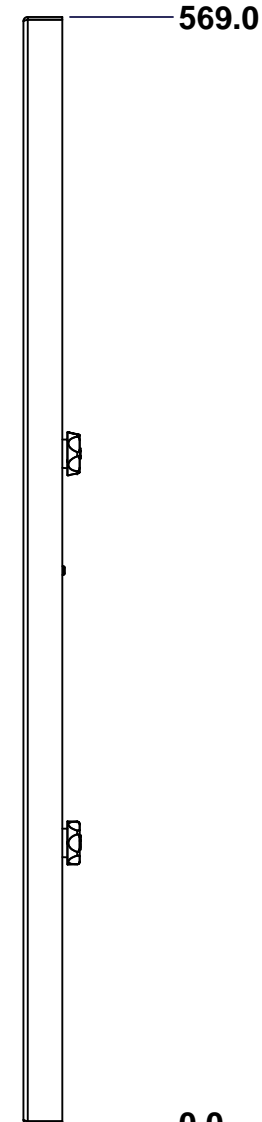
BOTTOM



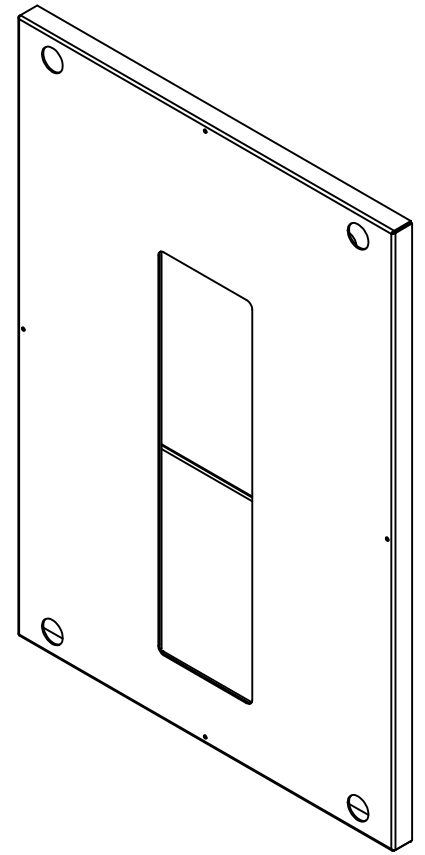
LEFT



FRONT




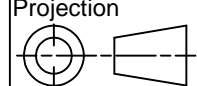
RIGHT



Isometric View



No.	Revisions	Date	By/Par
1		07/08/2014	

 Tél: (450) 979-4373 Fax: (450) 979-4626 www.exmweb.com		Flatness Aplatissement Max 3.0mm Projection 
Customer Client	Date	
Drawn By Dessiné Par	BoxCad: Annie	Date 06/08/2014
Material Matière	16 Ga H.R.P. & O. (1.4mm)	
Color Couleur	Iron Grey RAL7011	Finish Fini Rough Textured
Description	Detail Rev.	
6500 MXB 400mm x 600mm Bottom		
Part Number Numéro Pièce	Rev. 1	3
6500MXK200406BT	1	

SEE BILL OF MATERIAL ON LAST PAGE

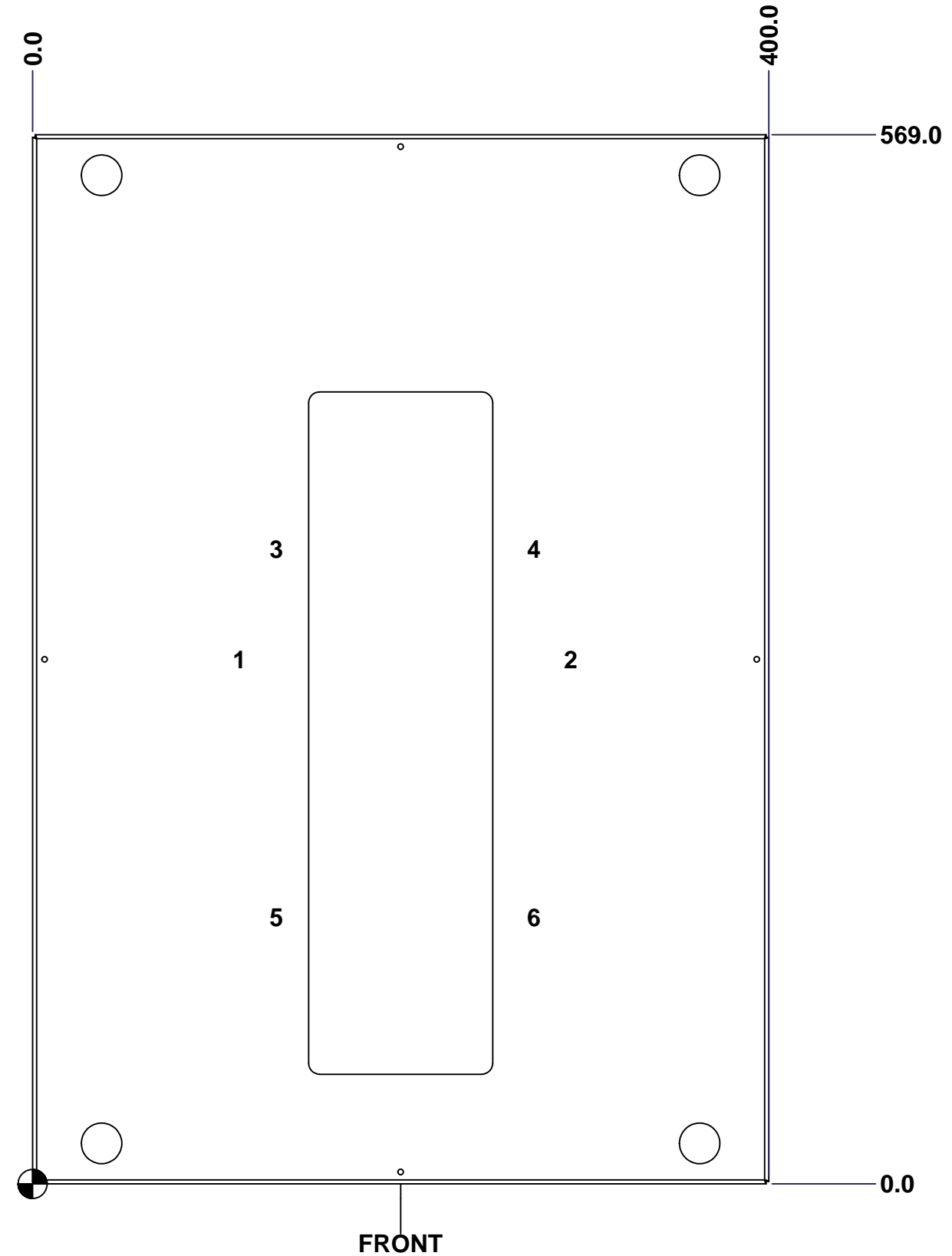
This drawing is confidential and must not be reproduced or used without the consent of EXM

Ce dessin est confidentiel et ne doit pas être reproduit ou utilisé sans le consentement de EXM

STANDARD FEATURES ARE NOT LISTED IN THIS HOLE TABLE

HOLE TABLE - FRONT VIEW (CUSTOM FEATURE ONLY)

CUT-OUT	XDIM	YDIM	DESCRIPTION
1	110.0	284.5	GND STUD M6 x 16mm (Inside)
2	290.0	284.5	GND STUD M6 x 16mm (Inside)
3	130.0	344.5	GP STUD M6 x 10mm (Inside)
4	270.0	344.5	GP STUD M6 x 10mm (Inside)
5	130.0	144.5	GP STUD M6 x 10mm (Inside)
6	270.0	144.5	GP STUD M6 x 10mm (Inside)

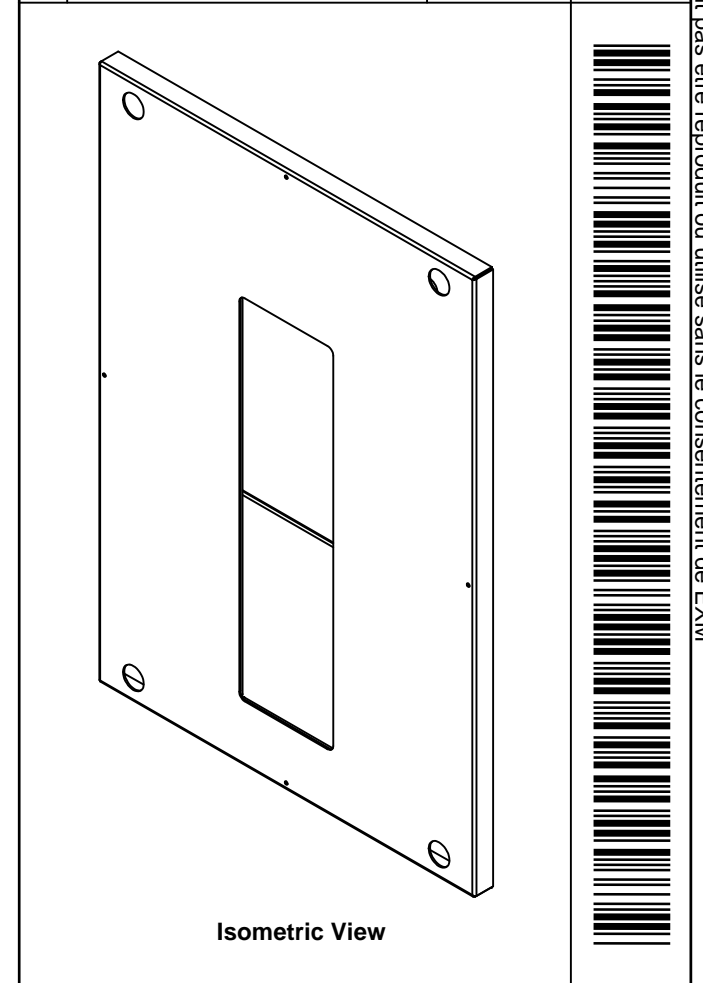


	Description	Status	
	6500 MXB 400mm x 600mm Bottom	(NULL)	
	Part Number Numéro Pièce	Rev.	
	6500MXK200406BT	1	2 3

This drawing is confidential and must not be reproduced or used without the consent of EXM

Ce dessin est confidentiel et ne doit pas être reproduit ou utilisé sans le consentement de EXM

No.	Revisions	Date	By/Par
1		07/08/2014	

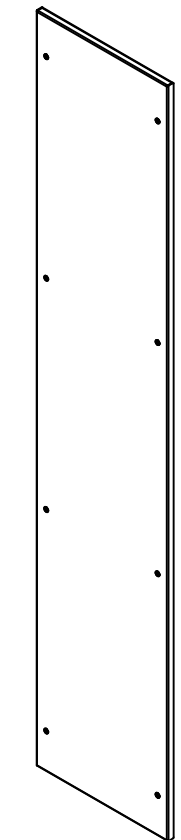
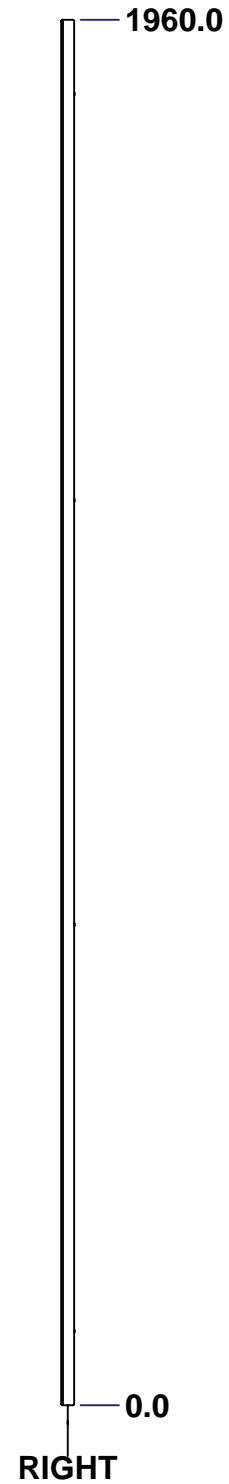
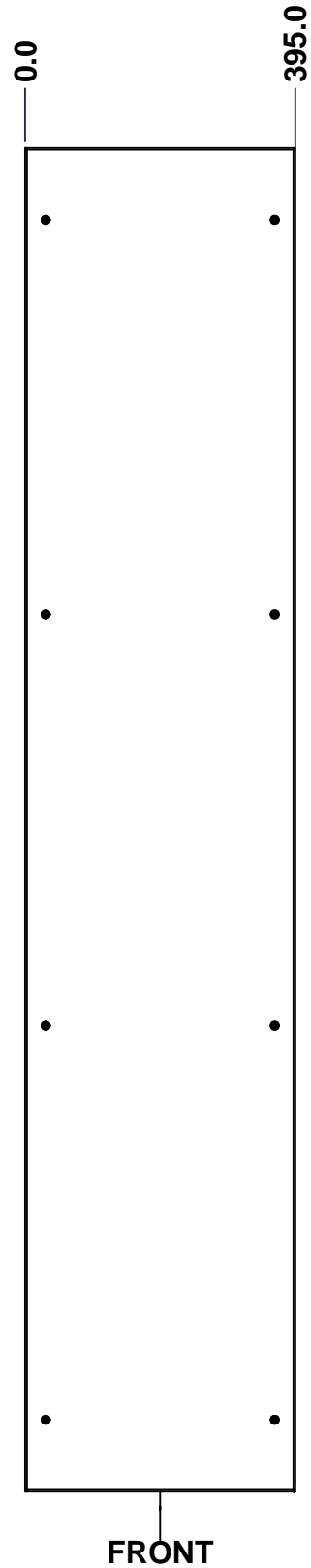
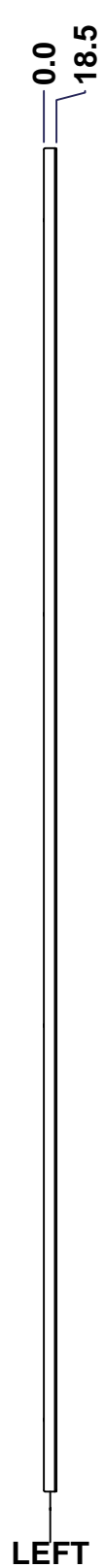
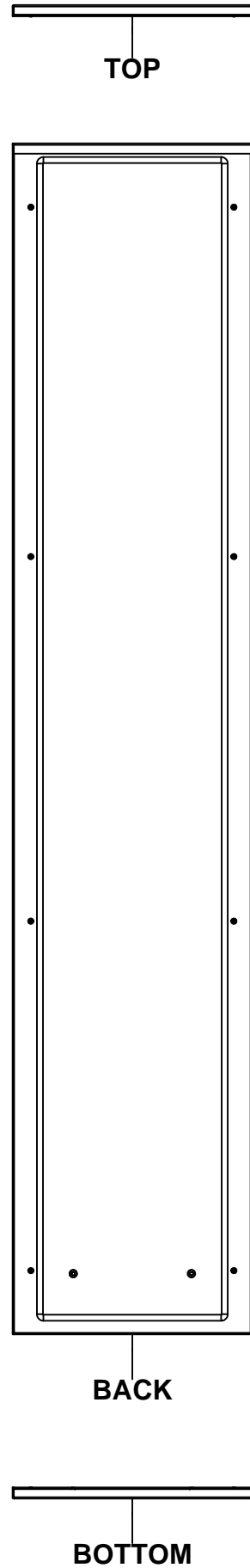


Tél: (450) 979-4373 Fax: (450) 979-4626 www.exmweb.com		Flatness Aplatissement	
		Max 3.0mm Projection	
Customer Client		Date	
Drawn By Dessiné Par BoxCad: Annie		Date 06/08/2014	
Material Matière 16 Ga H.R.P. & O. (1.4mm)			
Color Couleur Iron Grey RAL7011		Finish Fini Rough Textured	
Description 6500 MXB 400mm x 600mm Bottom			Detail Rev.
Part Number Numéro Pièce 6500MXK200406BT		Rev. 1	3 3

Qty	Part Number	Rev	Description
1	STK-P-03810R	0	Powder Paint (Iron Grey / Rough Textured)
4	STK-Q-06001	0	Mtrx - Gland Plate M6 Plastic Thumb Nut
2	STK-Q-16055	1	M6 x 18mm Stud (No Paint Cap Required)
2	6500MXK200406GP200-P	1	6500 MXB 400mm Gland Plate Part (200mm)
4	STK-Q-16031	0	M6 x 10mm Stud (No Paint Cap Required)
1	6500MXK200406BTGPG	1	6500 MXB 400mm x 600mm Bottom Gland Plate Gasket
1	6500MXK200406BTG	1	6500 MXB 400mm x 600mm Bottom Gasket
1	6500MXK200406BT-P	1	6500 MXB 400mm x 600mm Bottom Part
Parts List			

This drawing is confidential and must not be reproduced or used without the consent of EXM


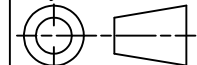
Ce dessin est confidentiel et ne doit pas être reproduit ou utilisé sans le consentement de EXM



Isometric View



No.	Revisions	Date	By/Par
1		07/08/2014	

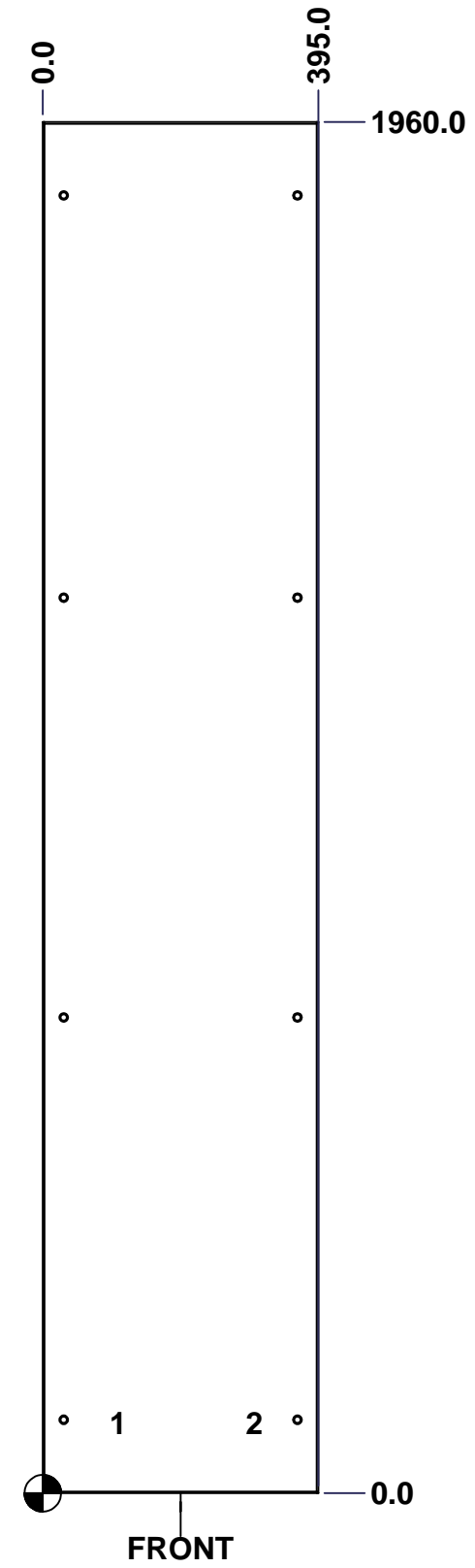
 Tél: (450) 979-4373 Fax: (450) 979-4626 www.exmweb.com		Flatness Aplatissement Max 3.0mm Projection 
Customer Client	Date	
Drawn By Dessiné Par	BoxCad: Annie	Date 06/08/2014
Material Matière	14 Ga H.R.P. & O. (1.7mm)	
Color Couleur	Light Grey RAL7035	Finish Fini
Description		Detail Rev.
6500 MXR 2000mm x 400mm Back		
Part Number Numéro Pièce	Rev.	
6500MXK200406B	1	1 / 3

SEE BILL OF MATERIAL ON LAST PAGE

This drawing is confidential and must not be reproduced or used without the consent of EXM

Ce dessin est confidentiel et ne doit pas être reproduit ou utilisé sans le consentement de EXM

STANDARD FEATURES ARE NOT LISTED IN THIS HOLE TABLE			
HOLE TABLE - FRONT VIEW (CUSTOM FEATURE ONLY)			
CUT-OUT	XDIM	YDIM	DESCRIPTION
1	100.0	100.0	GND STUD M6 x 16mm (Inside)
2	295.0	100.0	GND STUD M6 x 16mm (Inside)

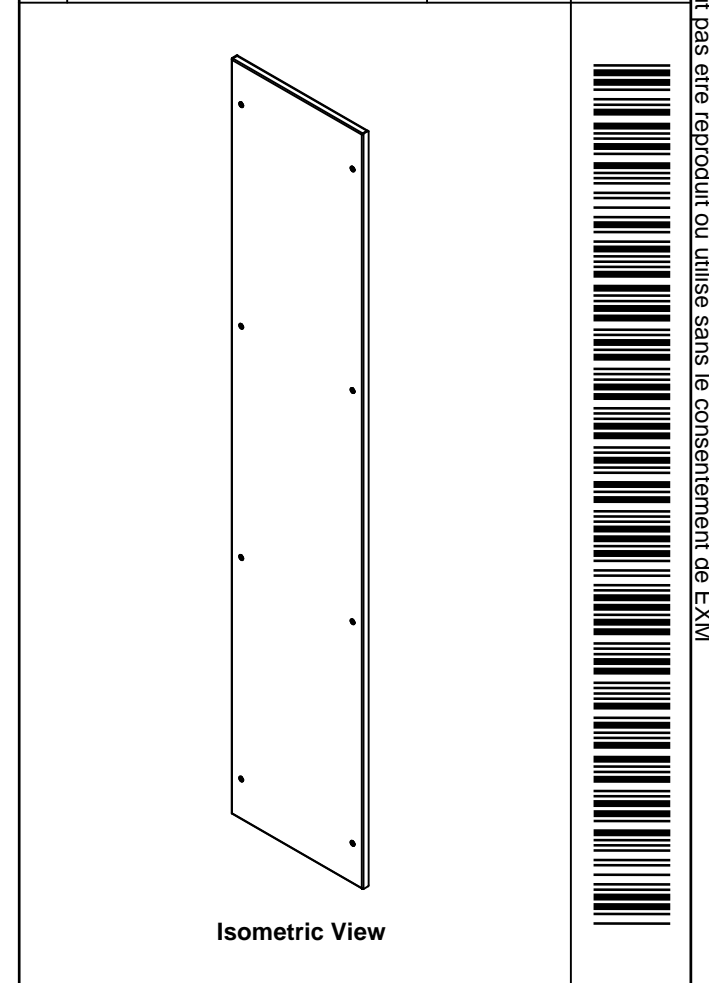



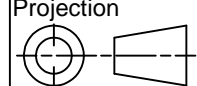
	Description	Status	
	6500 MXR 2000mm x 400mm Back	(NULL)	
	Part Number Numéro Pièce	Rev.	
	6500MXK200406B	1	2 3

This drawing is confidential and must not be reproduced or used without the consent of EXM

Ce dessin est confidentiel et ne doit pas être reproduit ou utilisé sans le consentement de EXM

No.	Revisions	Date	By/Par
1		07/08/2014	

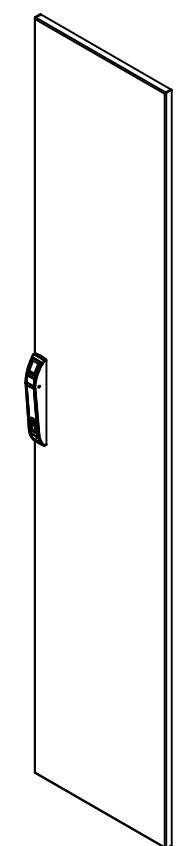
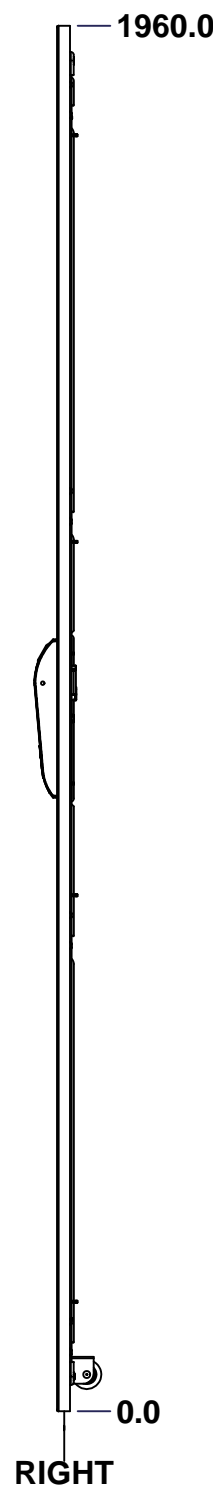
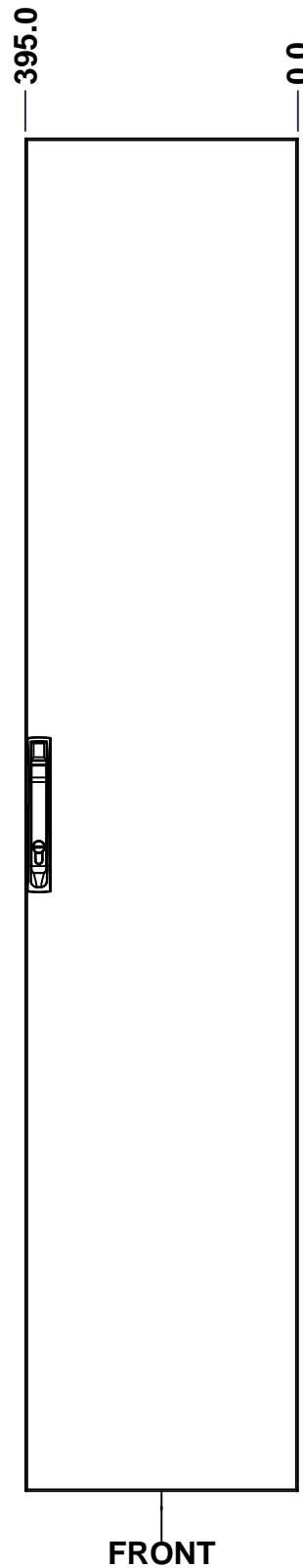
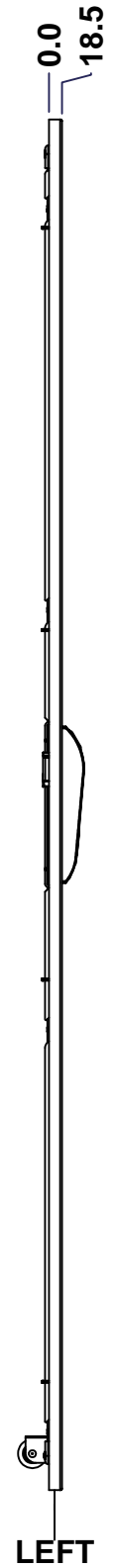
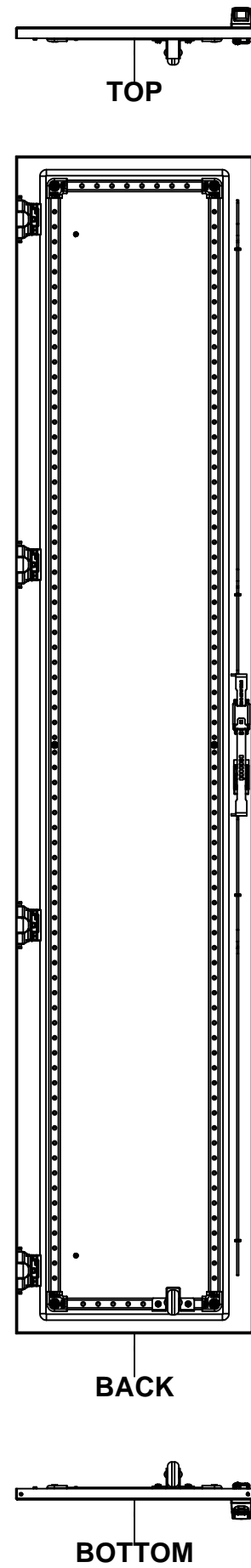


 Tél: (450) 979-4373 Fax: (450) 979-4626 www.exmweb.com		Flatness Aplatissement Max 3.0mm Projection 
Customer Client	Date	
Drawn By Dessiné Par	BoxCad: Annie	Date 06/08/2014
Material Matière	14 Ga H.R.P. & O. (1.7mm)	
Color Couleur	Light Grey RAL7035	Finish Fini Rough Textured
Description	Detail Rev.	
6500 MXR 2000mm x 400mm Back		
Part Number Numéro Pièce	Rev. 3	3
6500MXK200406B		1

Qty	Part Number	Rev	Description
1	STK-P-03820R	0	Powder Paint (Light Grey / Rough Textured)
8	STK-Q-03072	2	M6 x 17mm Phillips Flat Head Screw
2	STK-Q-16080	0.1.1	M6 x 16mm Ground Stud
1	6500MXK200406BG	1	6500 MXR 2000mm x 400mm Back Gasket
1	6500MXK200406B-P	1	6500 MXR 2000mm x 400mm Back Part
Parts List			

This drawing is confidential and must not be reproduced or used without the consent of EXM

Ce dessin est confidentiel et ne doit pas être reproduit ou utilisé sans le consentement de EXM



Isometric View



No.	Revisions	Date	By/Par
1		07/08/2014	

Tél: (450) 979-4373 Fax: (450) 979-4626 www.exmweb.com		Flatness Aplatissement Max 3.0mm Projection
Customer Client	Date	
Drawn By / Dessiné Par: BoxCad: Annie	Date: 06/08/2014	
Material / Matière: 14 Ga H.R.P. & O. (1.7mm)		
Color / Couleur: Light Grey RAL7035	Finish / Fini: Rough Textured	
Description: 6500 MXD 2000mm x 400mm Front		Detail Rev.
Part Number / Numéro Pièce: 6500MXK200406F	Rev. 1	3

SEE BILL OF MATERIAL ON LAST PAGE

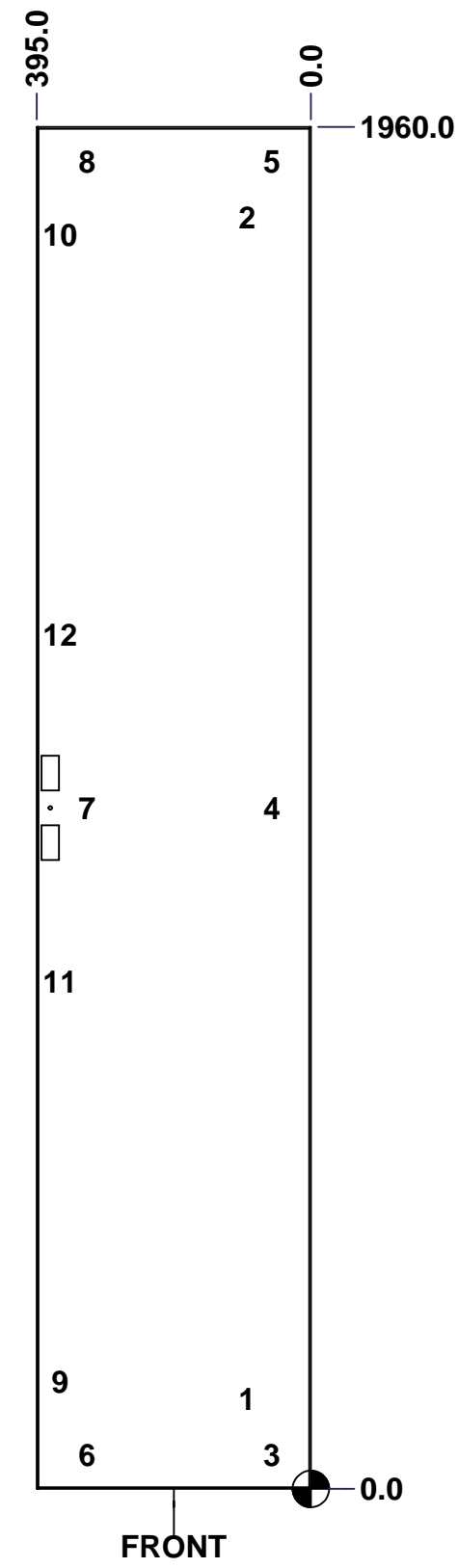
This drawing is confidential and must not be reproduced or used without the consent of EXM

Ce dessin est confidentiel et ne doit pas être reproduit ou utilisé sans le consentement de EXM

STANDARD FEATURES ARE NOT LISTED IN THIS HOLE TABLE

HOLE TABLE - FRONT VIEW (CUSTOM FEATURE ONLY)

CUT-OUT	XDIM	YDIM	DESCRIPTION
1	100.0	130.0	GND STUD M6 x 16mm (Inside)
2	100.0	1830.0	GND STUD M6 x 16mm (Inside)
3	64.5	49.5	STIFF. STUD M6 x 18mm (Inside)
4	64.5	980.0	STIFF. STUD M6 x 18mm (Inside)
5	64.5	1910.5	STIFF. STUD M6 x 18mm (Inside)
6	330.5	49.5	STIFF. STUD M6 x 18mm (Inside)
7	330.5	980.0	STIFF. STUD M6 x 18mm (Inside)
8	330.5	1910.5	STIFF. STUD M6 x 18mm (Inside)
9	369.5	155.0	CLOSING BAR GUIDE (Inside)
10	369.5	1805.0	CLOSING BAR GUIDE (Inside)
11	369.5	730.0	CLOSING BAR GUIDE (Inside)
12	369.5	1230.0	CLOSING BAR GUIDE (Inside)



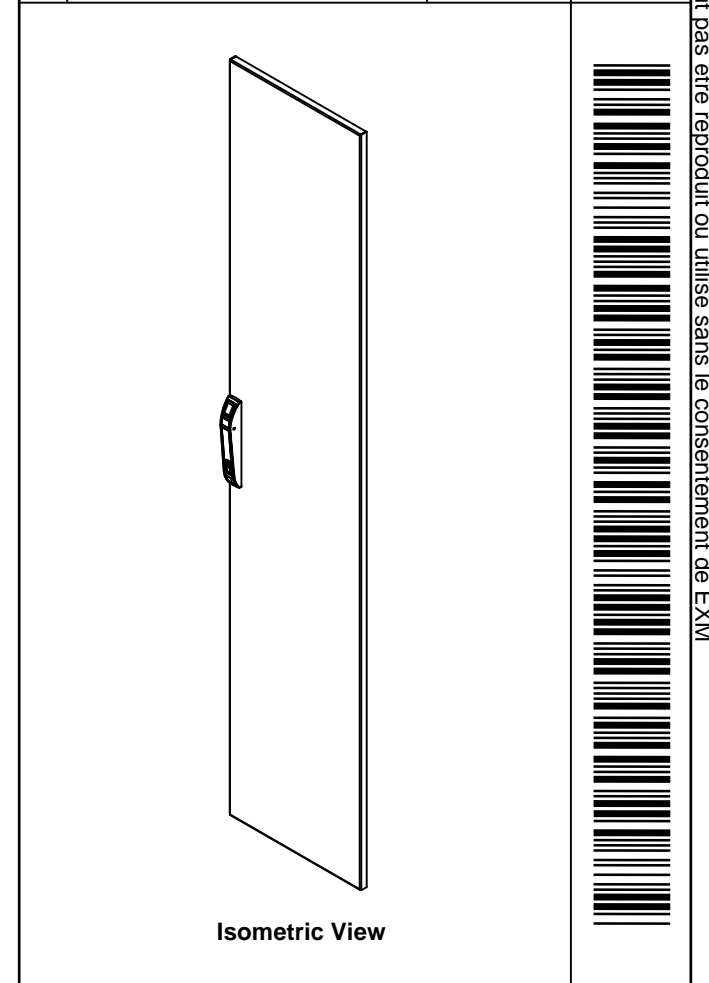
	Description 6500 MXD 2000mm x 400mm Front	Status (NULL)
	Part Number Numéro Pièce 6500MXK200406F	Rev. 1

2	3
1	


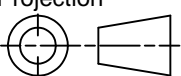
This drawing is confidential and must not be reproduced or used without the consent of EXM

Ce dessin est confidentiel et ne doit pas être reproduit ou utilisé sans le consentement de EXM

No.	Revisions	Date	By/Par
1		07/08/2014	

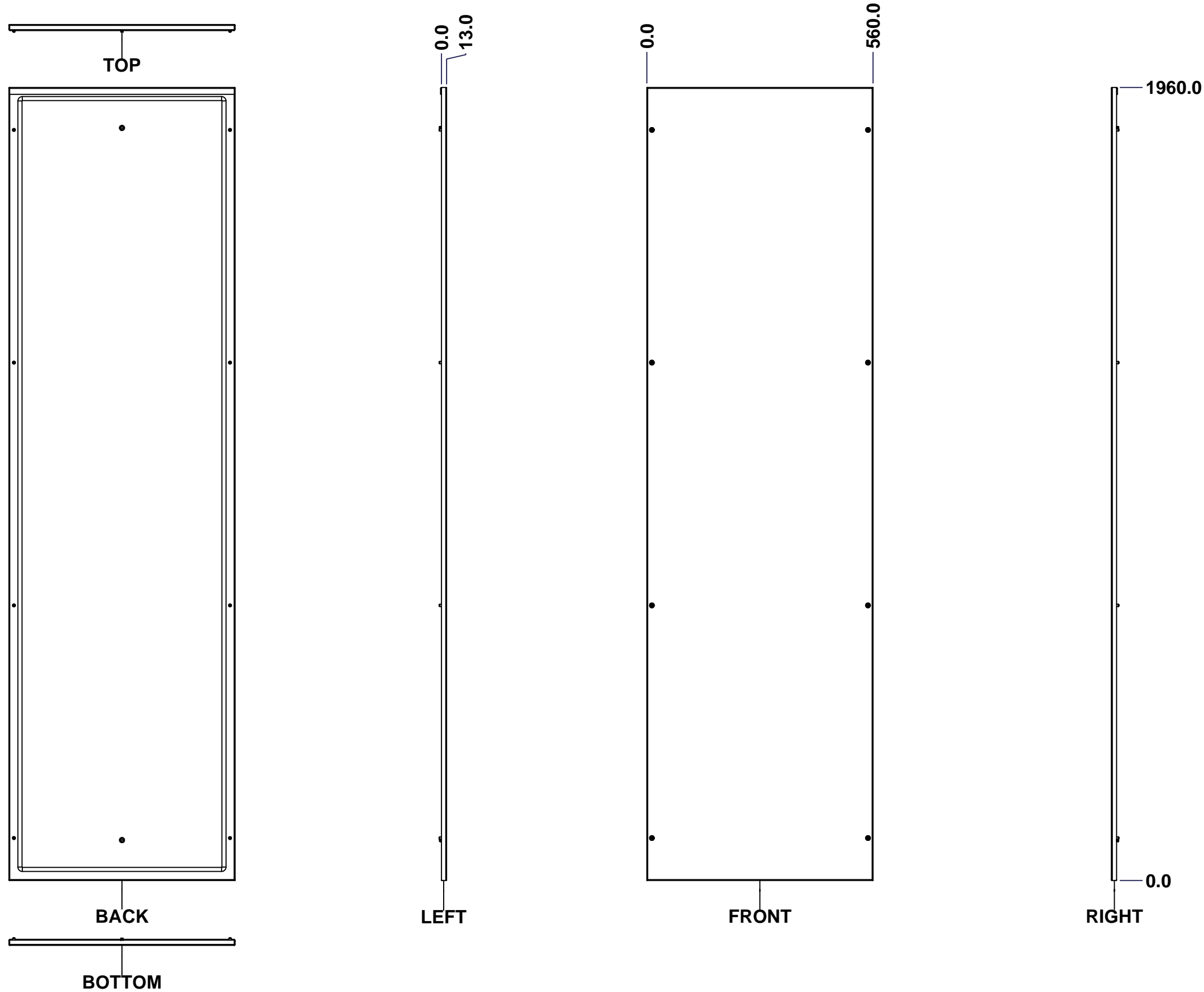


1	STK-P-03820R	0	Powder Paint (Light Grey / Rough Textured)
1	6500MXSRK	1	6500 MXRSK Door Support Roller
4	STK-Q-78022	0	Mtrx Closing Bar Slider
1	STK-Q-45746-20	1	6500 MXD - Lock Door Closing Bar
4	STK-Q-33105	4	5412 ESBU Buttable Hinge (Cover Part)
1	STK-Q-45729-20	2	6500 MXD - Lock Door Top Closing Bar
1	886PHD-S	4	Euroform Pull Handle Kit
8	STK-Q-16055	1	M6 x 18mm Stud (No Paint Cap Required)
1	6500MXK200406DS1	5	6500 MX 2000mm x 400mm Door Stiffener
1	6500MXK200406FG	1	6500 MXD 2000mm x 400mm Front Gasket
1	6500MXK200406F-P	1	6500 MXD 2000mm x 400mm Front Part
4	STK-K-06811	1	6500 MX - Hinge Assy
Qty	Part Number	Rev	Description
Parts List			

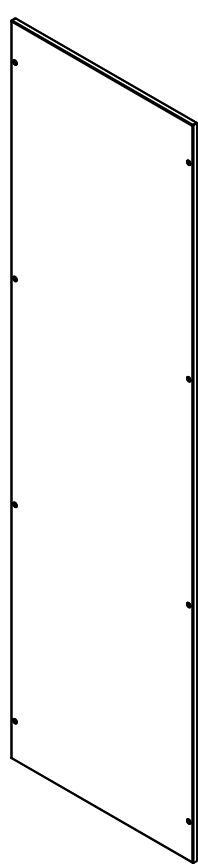
 Tél: (450) 979-4373 Fax: (450) 979-4626 www.exmweb.com		Flatness Aplatissement Max 3.0mm Projection 
Customer Client	Date	
Drawn By Dessiné Par	BoxCad: Annie	Date 06/08/2014
Material Matière	14 Ga H.R.P. & O. (1.7mm)	
Color Couleur	Light Grey RAL7035	Finish Fini
		Rough Textured
Description	Detail Rev.	
6500 MXD 2000mm x 400mm Front		
Part Number Numéro Pièce	Rev.	3
6500MXK200406F	1	3

This drawing is confidential and must not be reproduced or used without the consent of EXM


Ce dessin est confidentiel et ne doit pas être reproduit ou utilisé sans le consentement de EXM


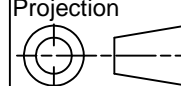


No.	Revisions	Date	By/Par
1		07/08/2014	



Isometric View



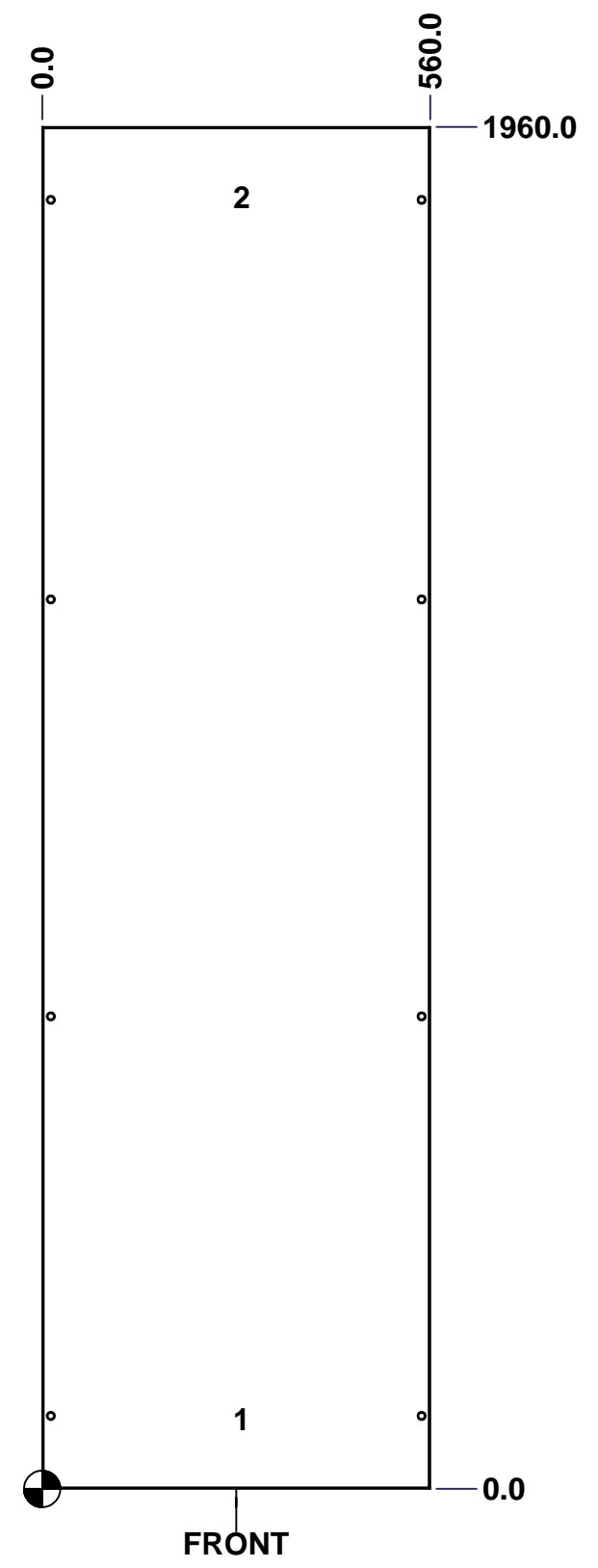
 Tél: (450) 979-4373 Fax: (450) 979-4626 www.exmweb.com		Flatness Aplatissement Max 3.0mm	
		Projection 	
Customer Client		Date	
Drawn By / Dessiné Par: BoxCad: Annie		Date: 06/08/2014	
Material / Matière: 16 Ga H.R.P. & O. (1.4mm)			
Color / Couleur: Light Grey RAL7035		Finish / Fini: Rough Textured	
Description: 6500 MXC 2000mm x 600mm Left		Detail Rev.	
Part Number / Numéro Pièce: 6500MXK200406L		Rev. 1	1 / 3

SEE BILL OF MATERIAL ON LAST PAGE

This drawing is confidential and must not be reproduced or used without the consent of EXM

Ce dessin est confidentiel et ne doit pas être reproduit ou utilisé sans le consentement de EXM

STANDARD FEATURES ARE NOT LISTED IN THIS HOLE TABLE			
HOLE TABLE - FRONT VIEW (CUSTOM FEATURE ONLY)			
CUT-OUT	XDIM	YDIM	DESCRIPTION
1	280.0	100.0	GND STUD M6 x 16mm (Inside)
2	280.0	1860.0	GND STUD M6 x 16mm (Inside)

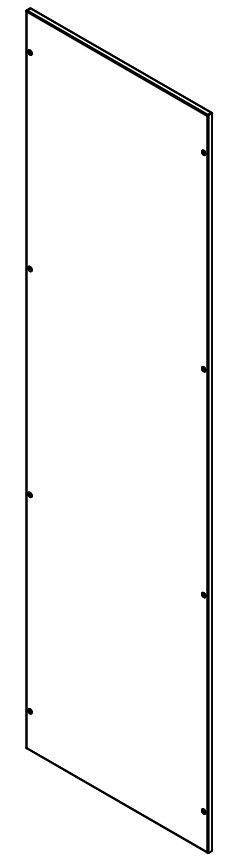


	Description	Status
	6500 MXC 2000mm x 600mm Left	(NULL)
	Part Number Numéro Pièce	Rev.
	6500MXK200406L	1
		2
		3


This drawing is confidential and must not be reproduced or used without the consent of EXM


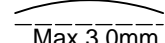
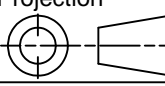
Ce dessin est confidentiel et ne doit pas être reproduit ou utilisé sans le consentement de EXM

No.	Revisions	Date	By/Par
1		07/08/2014	



Isometric View

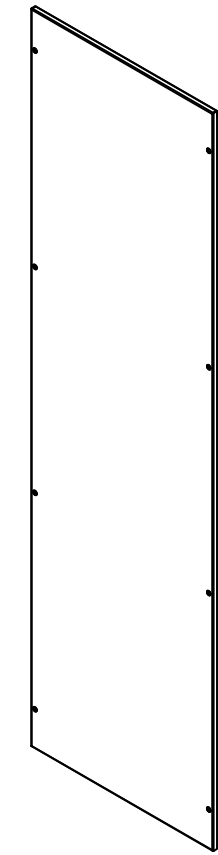
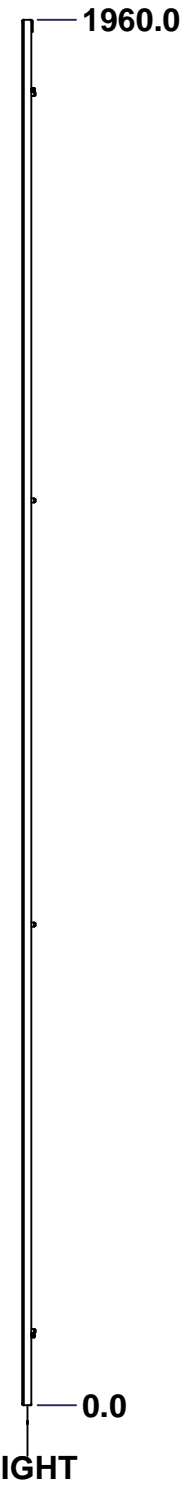
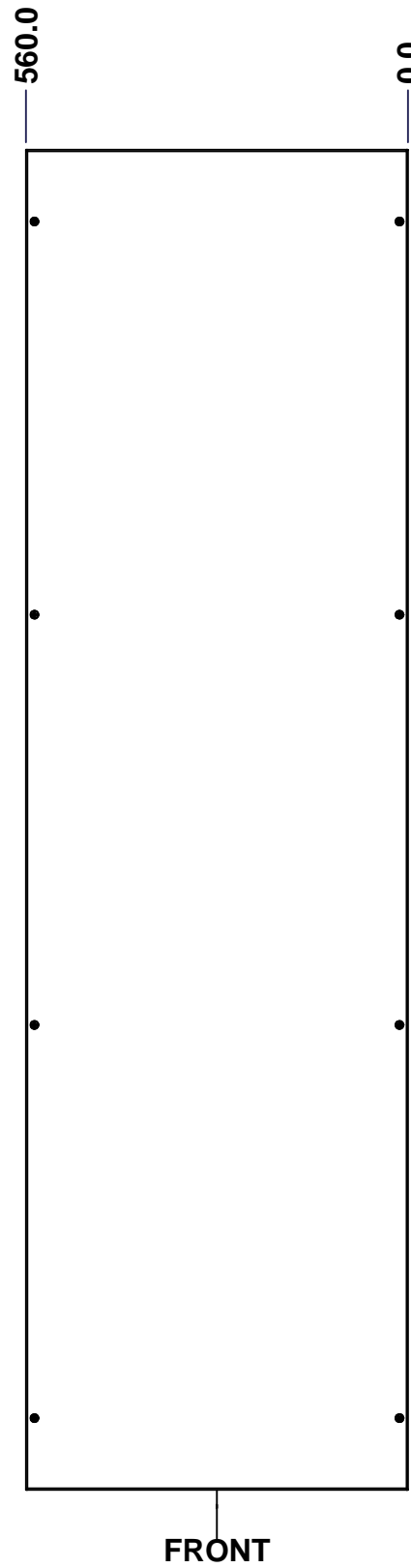
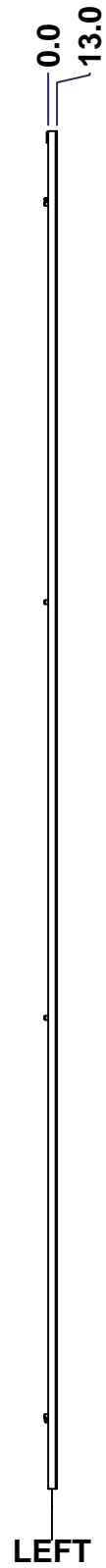
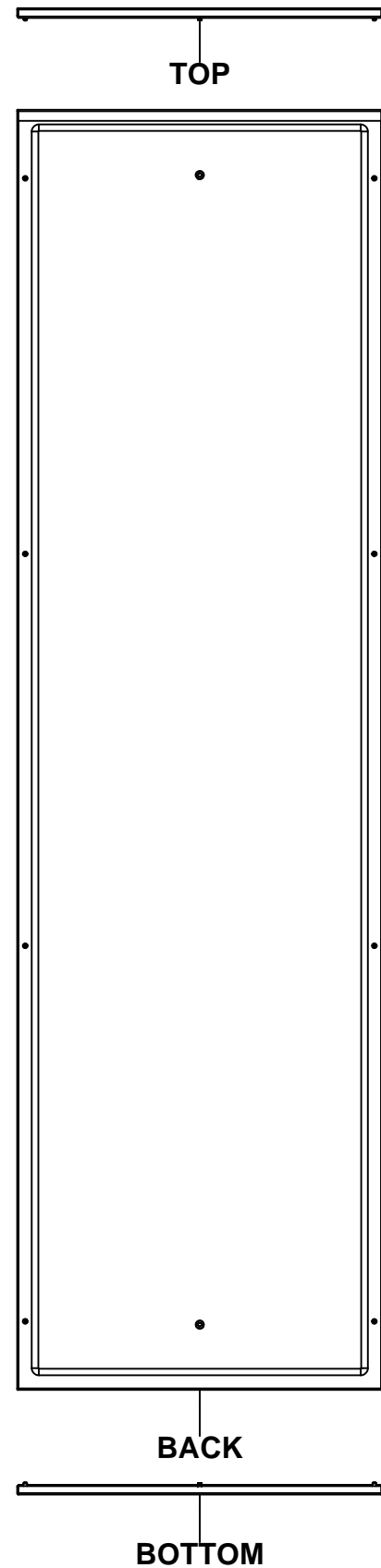


		Tél: (450) 979-4373 Fax: (450) 979-4626 www.exmweb.com		Flatness Aplatissement  Max 3.0mm	
Customer Client		Date		Projection 	
Drawn By Dessiné Par: BoxCad: Annie		Date: 06/08/2014			
Material Matière: 16 Ga H.R.P. & O. (1.4mm)					
Color Couleur: Light Grey RAL7035		Finish Fini: Rough Textured			
Description: 6500 MXC 2000mm x 600mm Left				Detail Rev.	
Part Number Numéro Pièce: 6500MXK200406L				Rev. 3	
				1	

Qty	Part Number	Rev	Description
1	STK-P-03820R	0	Powder Paint (Light Grey / Rough Textured)
8	STK-Q-03072	2	M6 x 17mm Phillips Flat Head Screw
2	STK-Q-16080	0.1.1	M6 x 16mm Ground Stud
1	6500MXK200406LG	1	6500 MXC 2000mm x 600mm Left Gasket
1	6500MXK200406L-P	1	6500 MXC 2000mm x 600mm Left Part
Parts List			

This drawing is confidential and must not be reproduced or used without the consent of EXM


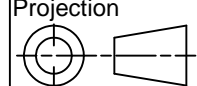
Ce dessin est confidentiel et ne doit pas être reproduit ou utilisé sans le consentement de EXM



Isometric View



No.	Revisions	Date	By/Par
1		07/08/2014	

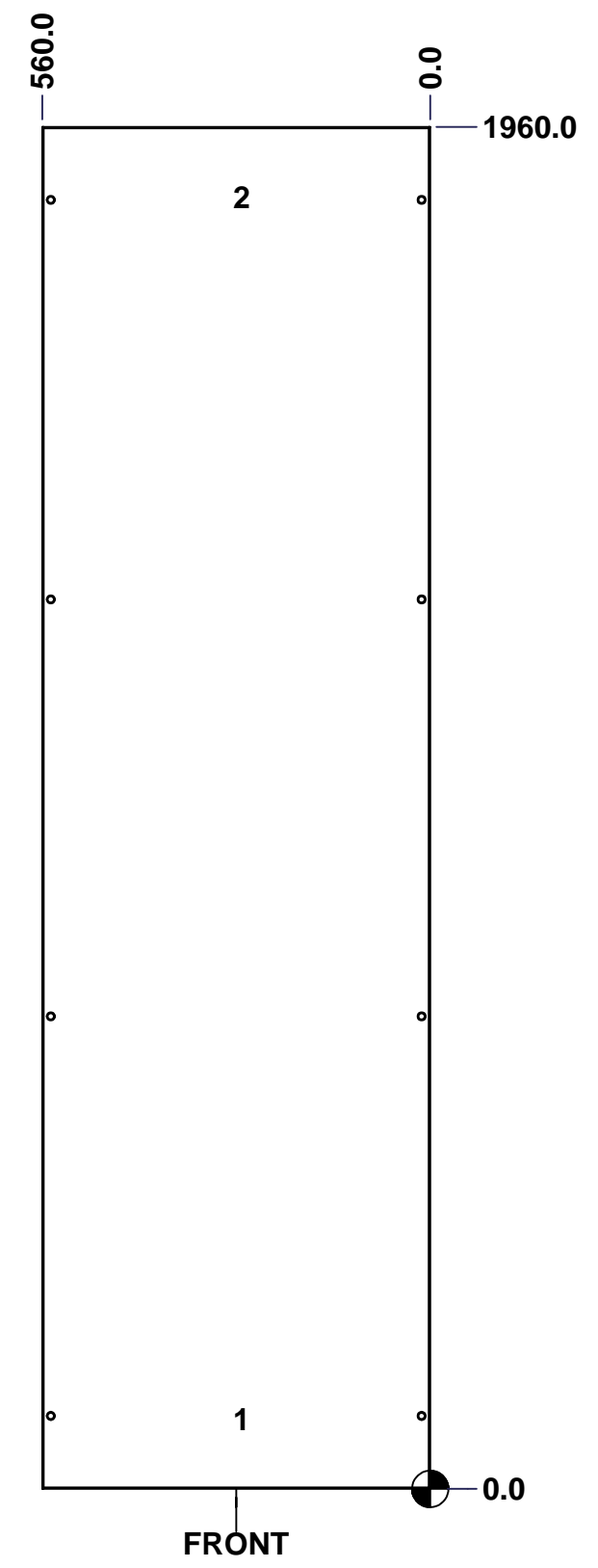
 Tél: (450) 979-4373 Fax: (450) 979-4626 www.exmweb.com		Flatness Aplatissement Max 3.0mm Projection 
Customer Client	Date	
Drawn By Dessiné Par	BoxCad: Annie	Date 06/08/2014
Material Matière	16 Ga H.R.P. & O. (1.4mm)	
Color Couleur	Light Grey RAL7035	Finish Fini Rough Textured
Description 6500 MXC 2000mm x 600mm Right		Detail Rev.
Part Number Numéro Pièce	6500MXK200406R	Rev. 1 3

SEE BILL OF MATERIAL ON LAST PAGE

This drawing is confidential and must not be reproduced or used without the consent of EXM

Ce dessin est confidentiel et ne doit pas être reproduit ou utilisé sans le consentement de EXM

STANDARD FEATURES ARE NOT LISTED IN THIS HOLE TABLE			
HOLE TABLE - FRONT VIEW (CUSTOM FEATURE ONLY)			
CUT-OUT	XDIM	YDIM	DESCRIPTION
1	280.0	100.0	GND STUD M6 x 16mm (Inside)
2	280.0	1860.0	GND STUD M6 x 16mm (Inside)

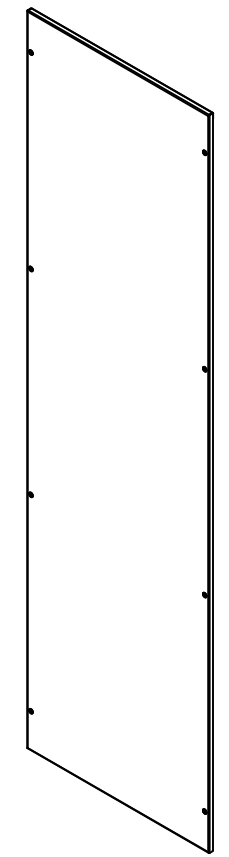


	Description	Status	
	6500 MXC 2000mm x 600mm Right	(NULL)	
	Part Number Numéro Pièce	Rev.	
	6500MXK200406R	1	2 3


This drawing is confidential and must not be reproduced or used without the consent of EXM


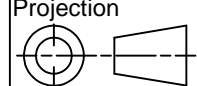
Ce dessin est confidentiel et ne doit pas être reproduit ou utilisé sans le consentement de EXM

No.	Revisions	Date	By/Par
1		07/08/2014	



Isometric View

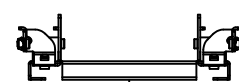


		Tél: (450) 979-4373 Fax: (450) 979-4626 www.exmweb.com		Flatness Aplatissement Max 3.0mm	
Customer Client		Date		Projection 	
Drawn By Dessiné Par: BoxCad: Annie		Date: 06/08/2014			
Material Matière: 16 Ga H.R.P. & O. (1.4mm)					
Color Couleur: Light Grey RAL7035		Finish Fini: Rough Textured		Description 6500 MXC 2000mm x 600mm Right	
Part Number Numéro Pièce: 6500MXK200406R				Detail Rev. Rev. 3	

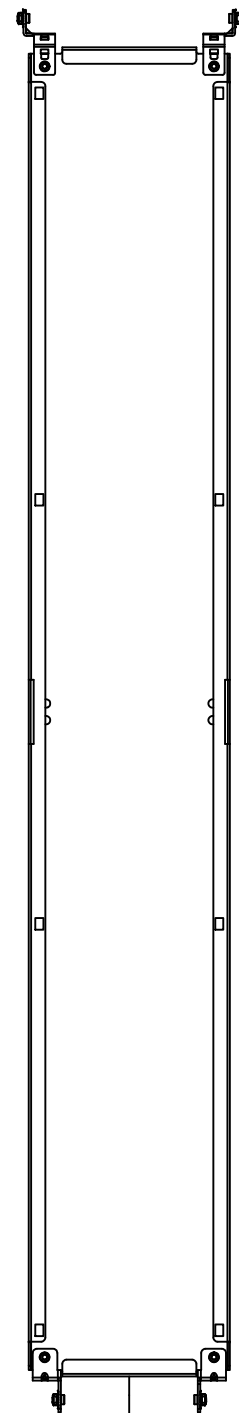
Qty	Part Number	Rev	Description
1	STK-P-03820R	0	Powder Paint (Light Grey / Rough Textured)
8	STK-Q-03072	2	M6 x 17mm Phillips Flat Head Screw
2	STK-Q-16080	0.1.1	M6 x 16mm Ground Stud
1	6500MXK200406RG	1	6500 MXC 2000mm x 600mm Right Gasket
1	6500MXK200406R-P	1	6500 MXC 2000mm x 600mm Right Part
Parts List			

This drawing is confidential and must not be reproduced or used without the consent of EXM

Ce dessin est confidentiel et ne doit pas être reproduit ou utilisé sans le consentement de EXM



TOP

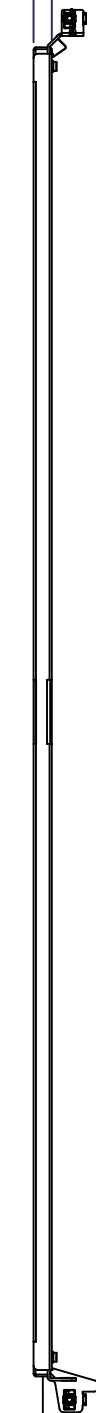


BACK



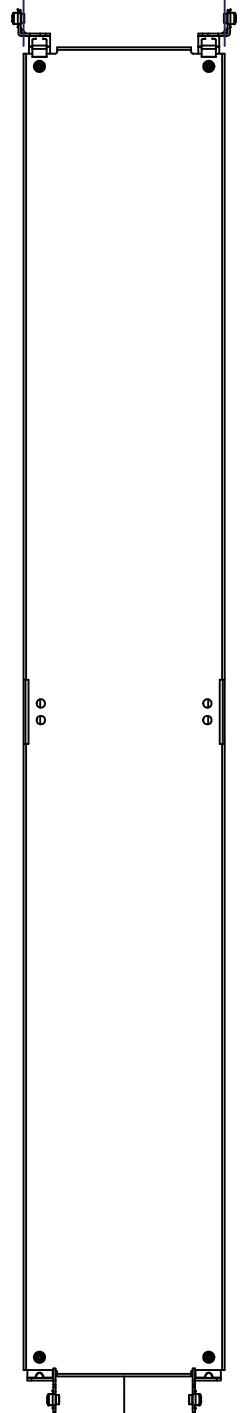
BOTTOM

0.0
26.0



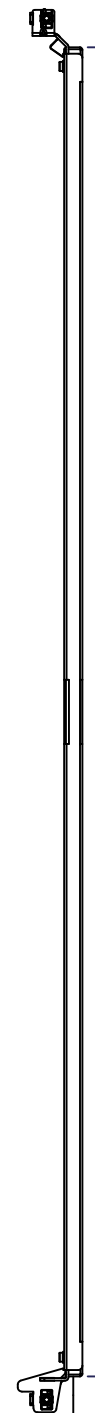
LEFT

0.0
285.0



FRONT

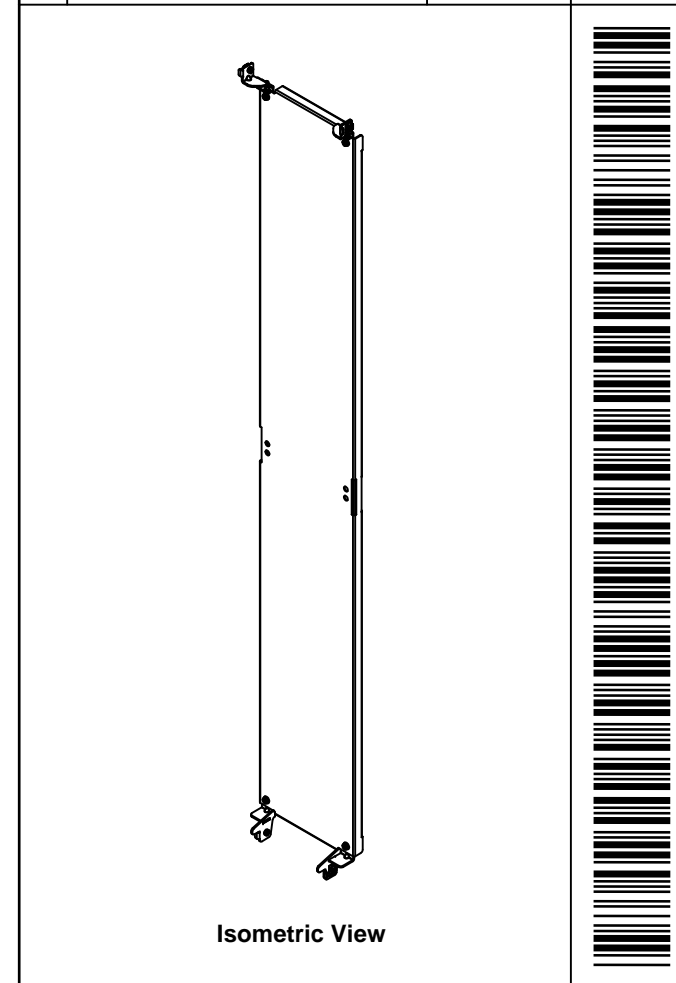
1880.0




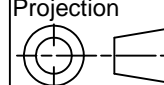
RIGHT

0.0

No.	Revisions	Date	By/Par
1		07/08/2014	



Isometric View

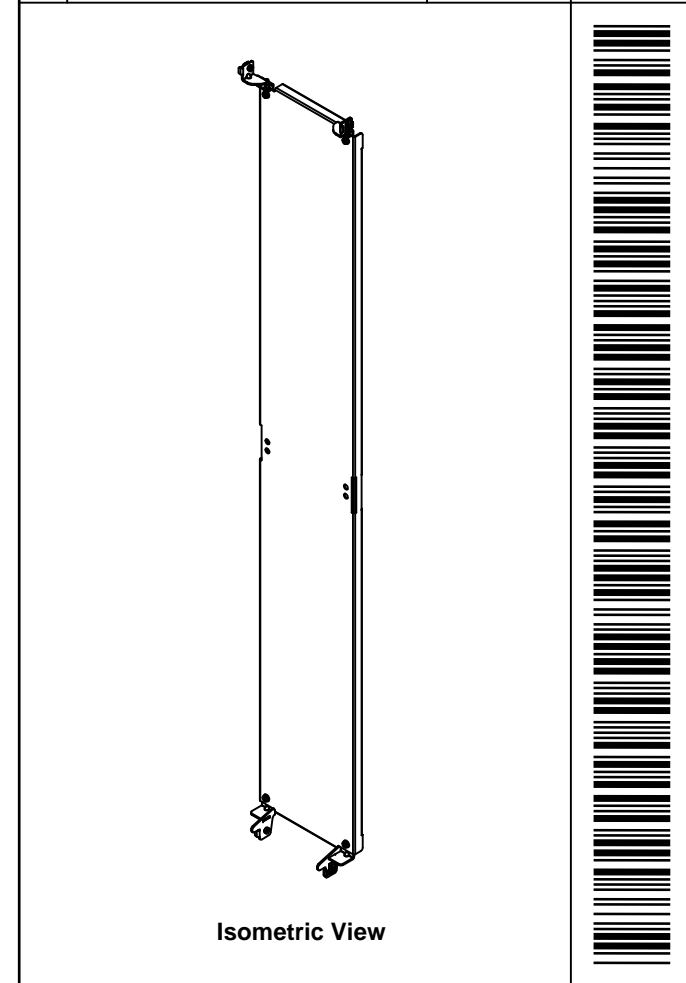
 Tél: (450) 979-4373 Fax: (450) 979-4626 www.exmweb.com		Flatness Aplatissement Max 3.0mm Projection 
Customer Client	Date	
Drawn By Dessiné Par	BoxCad: Annie	Date 06/08/2014
Material Matière	12 Ga Galvanized (2.5mm)	
Color Couleur	Unpainted	Finish Fini Unpainted
Description	Detail Rev.	
6500 MXM 2000mm x 400mm Back Inner Panel		
Part Number Numéro Pièce	Rev.	
6500MXK200406BIP	1	1 / 3


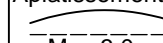
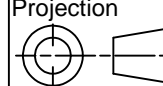
SEE BILL OF MATERIAL ON LAST PAGE

This drawing is confidential and must not be reproduced or used without the consent of EXM

Ce dessin est confidentiel et ne doit pas être reproduit ou utilisé sans le consentement de EXM

No.	Revisions	Date	By/Par
1		07/08/2014	



 Tél: (450) 979-4373 Fax: (450) 979-4626 www.exmweb.com		Flatness Aplatissement  Max 3.0mm Projection 
Customer Client	Date	
Drawn By Dessiné Par	BoxCad: Annie	Date 06/08/2014
Material Matière	12 Ga Galvanized (2.5mm)	
Color Couleur	Unpainted	Finish Fini Unpainted
Description 6500 MXM 2000mm x 400mm Back Inner Panel		Detail Rev.
Part Number Numéro Pièce	6500MXK200406BIP	Rev. 3
		1 / 3

Qty	Part Number	Rev	Description
1	STK-A-49005	0	6500MXM - Bottom Inner Panel Support Kit (Right)
1	STK-A-49000	0	6500MXM - Bottom Inner Panel Support Kit (Left)
1	STK-A-49015	0	6500MXM - Top Inner Panel Support Kit (Right)
1	STK-A-49010	0	6500MXM - Top Inner Panel Support Kit (Left)
1	6500MXK200406BIP-P	1	6500 MXM 2000mm x 400mm Back Inner Panel Part
Parts List			