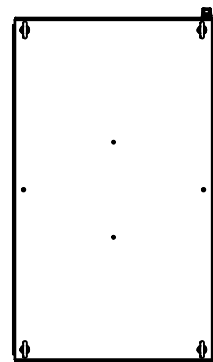
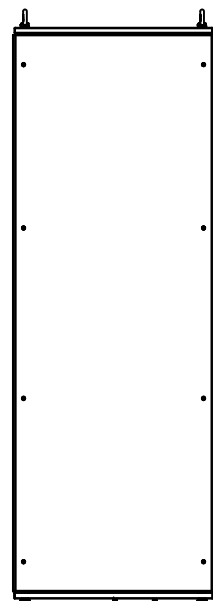


This drawing is confidential and must not be reproduced or used without the consent of EXM

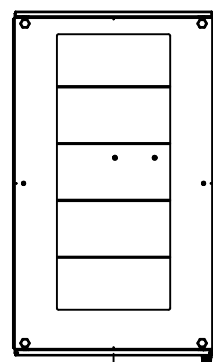
Ce dessin est confidentiel et ne doit pas être reproduit ou utilisé sans le consentement de EXM



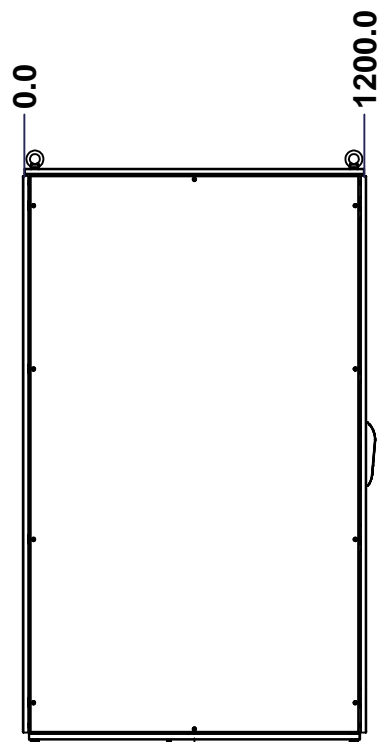
TOP



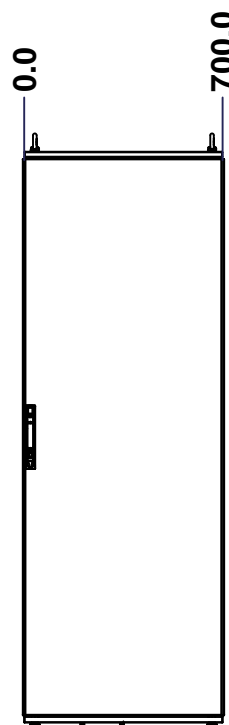
BACK



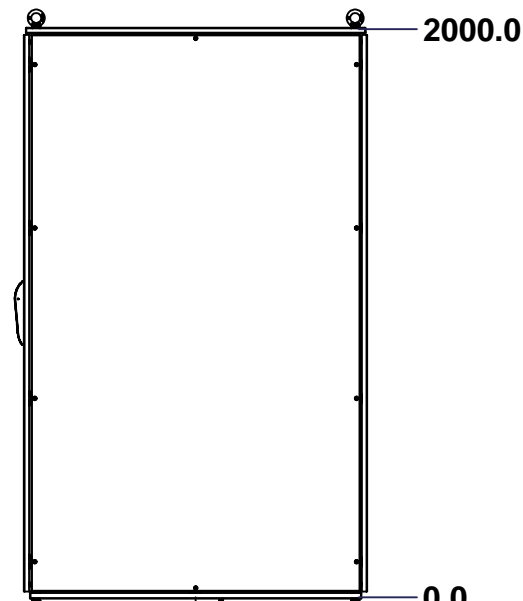
BOTTOM



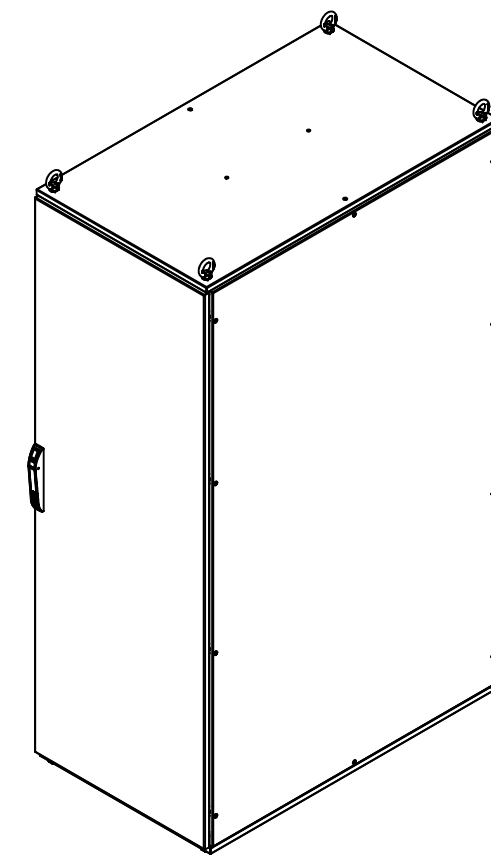
LEFT



FRONT




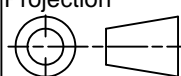
RIGHT



Isometric View



No.	Revisions	Date	By/Par

 Tél: (450) 979-4373 Fax: (450) 979-4626 www.exmweb.com		Flatness Aplatissement Max 3.0mm Projection 
Customer Client	Date	Date
Drawn By Dessiné Par	BoxCad: Annie	Date 07/08/2014
Material Matière	See Part List	
Color Couleur	See Part List	Finish Fini See Part List
Description 6500MX 2000mm x 700mm x 1200mm Assembly	Detail Rev.	
Part Number Numéro Pièce	Rev. 0	1 2

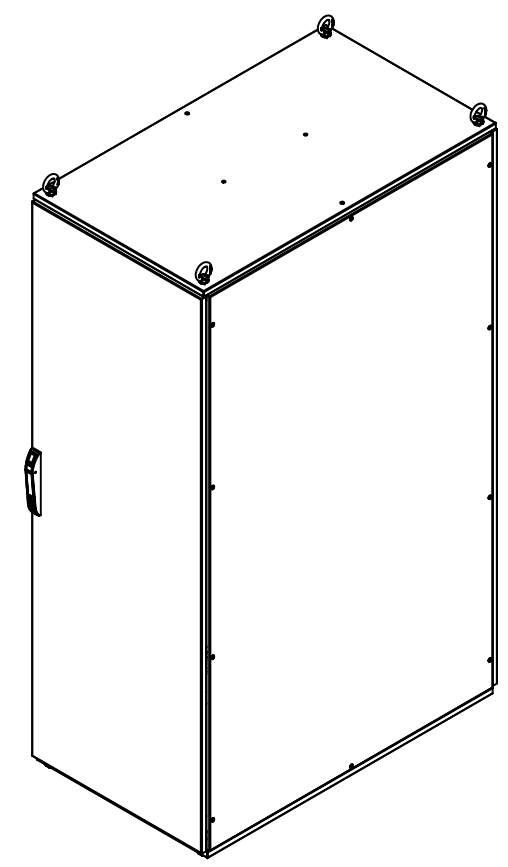
SEE BILL OF MATERIAL ON LAST PAGE

6500MXK200712

This drawing is confidential and must not be reproduced or used without the consent of EXM

Ce dessin est confidentiel et ne doit pas être reproduit ou utilisé sans le consentement de EXM

No.	Revisions	Date	By/Par



Isometric View



Tél: (450) 979-4373
 Fax: (450) 979-4626
www.exmweb.com

Flatness
Aplatissement
Max 3.0mm
Projection

Customer Client
 Drawn By Dessiné Par BoxCad: Annie
 Date 07/08/2014

Material Matière See Part List
 Color Couleur See Part List
 Finish Fini See Part List

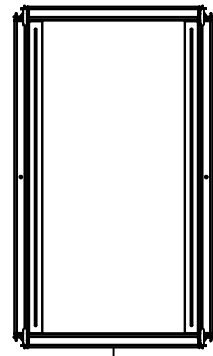
Description
 6500MX 2000mm x 700mm x 1200mm Assembly
 Detail Rev.

Part Number Numéro Pièce
6500MXK200712
 Rev. 2
0

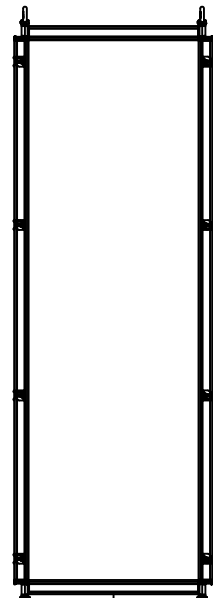
Qty	Part Number	Rev	Description
1	6500MXK200712BIP	0	6500 MXM 2000mm x 700mm Back Inner Panel
1	6500MXK200712R	0	6500 MXC 2000mm x 1200mm Right
1	6500MXK200712L	0	6500 MXC 2000mm x 1200mm Left
1	6500MXK200712F	0	6500 MXD 2000mm x 700mm Front
1	6500MXK200712B	0	6500 MXR 2000mm x 700mm Back
1	6500MXK200712BT	0	6500 MXB 700mm x 1200mm Bottom
1	6500MXK200712T	0	6500 MXT 700mm x 1200mm Top
1	6500MXK200712FR	0	6500 MX 2000mm x 700mm x 1200mm Frame
Parts List			

This drawing is confidential and must not be reproduced or used without the consent of EXM

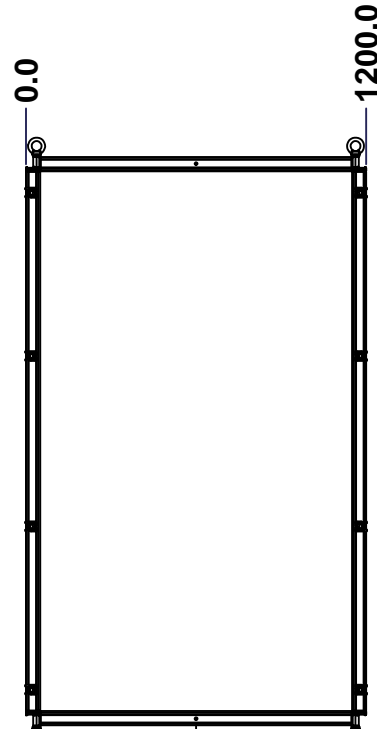
Ce dessin est confidentiel et ne doit pas être reproduit ou utilisé sans le consentement de EXM



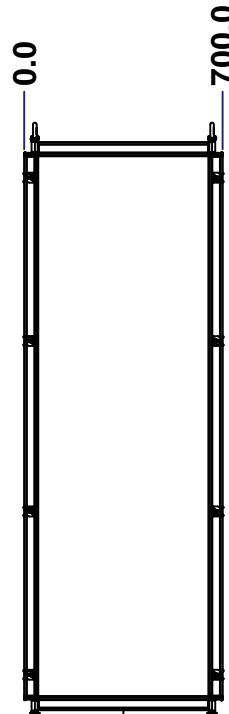
TOP



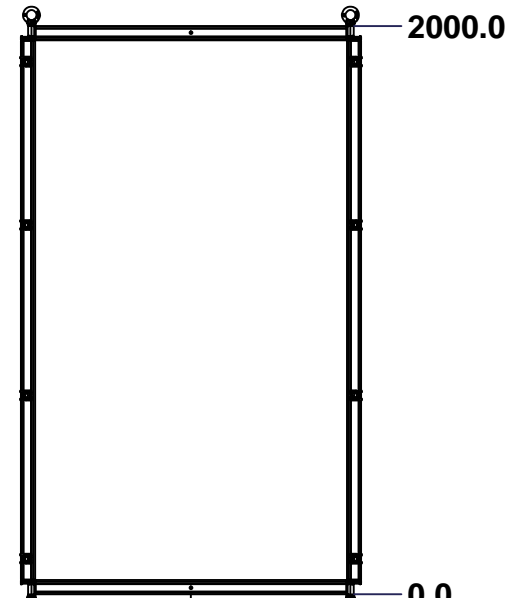
BACK



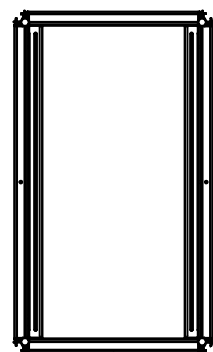
LEFT



FRONT

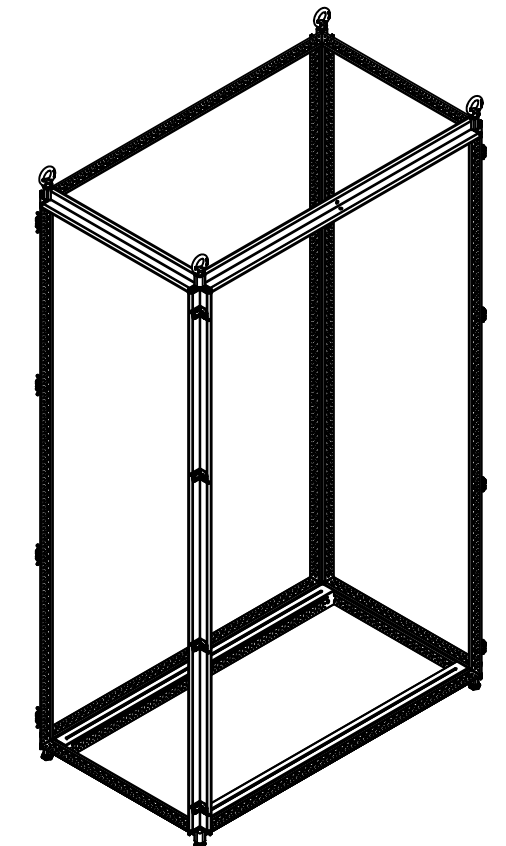


RIGHT




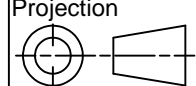
BOTTOM

No.	Revisions	Date	By/Par



Isometric View

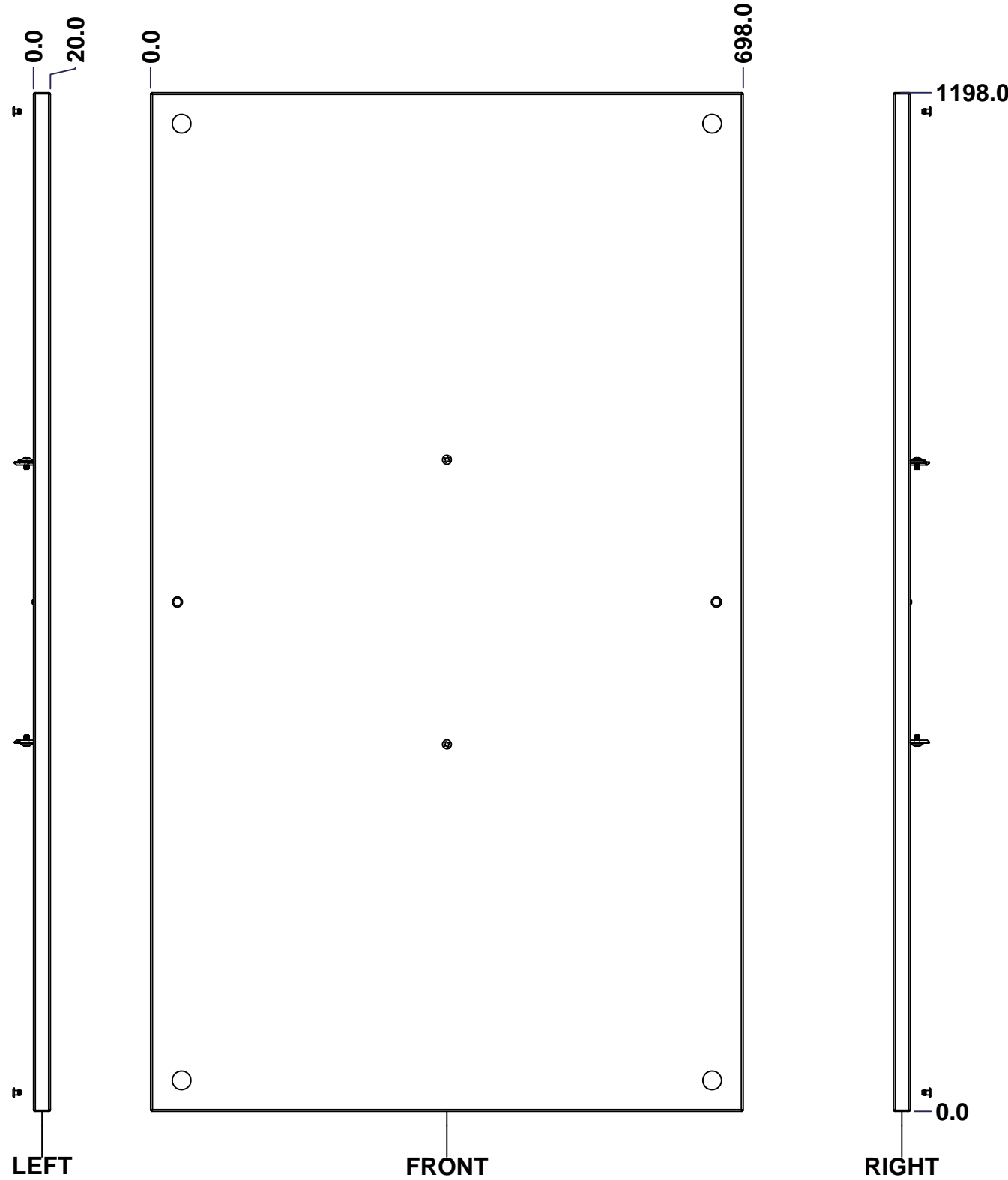
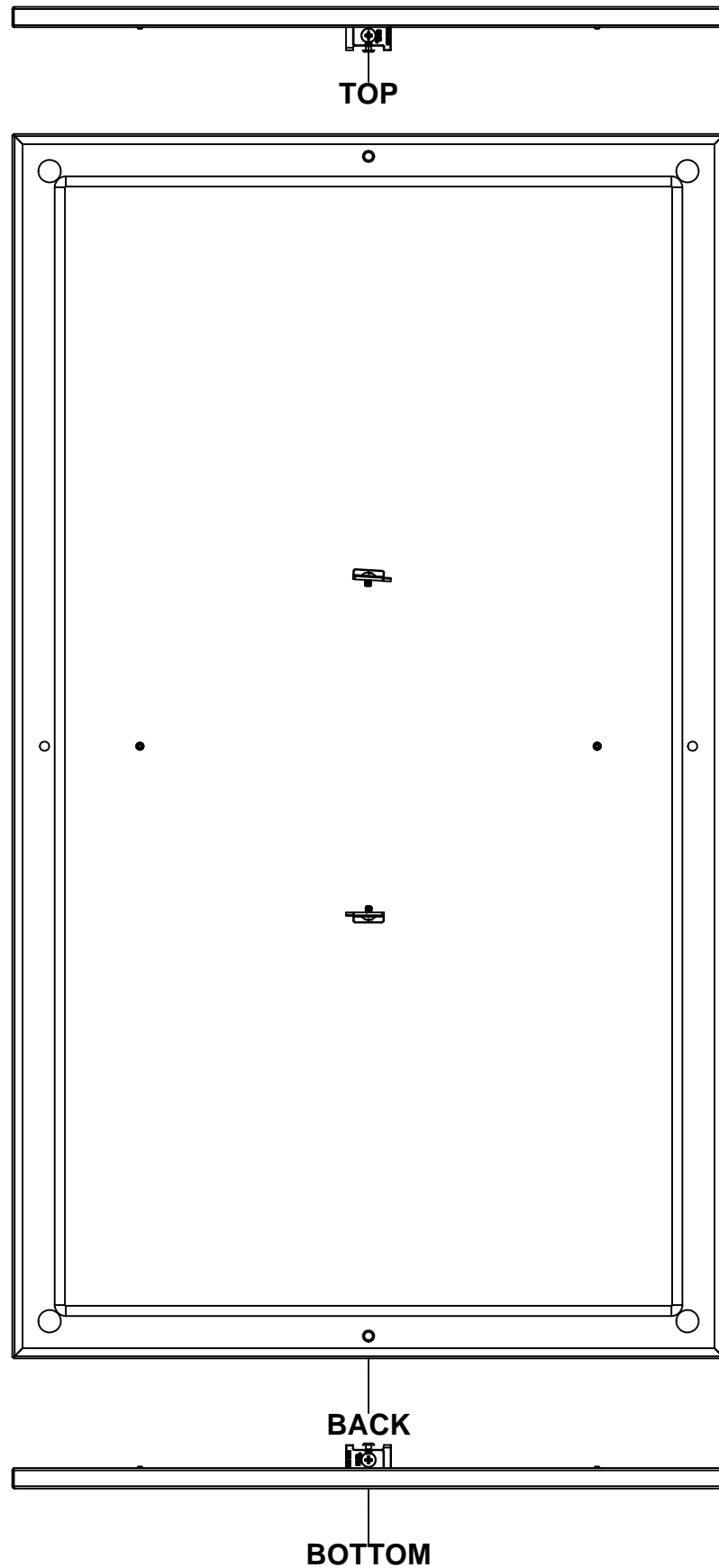


 Tél: (450) 979-4373 Fax: (450) 979-4626 www.exmweb.com		Flatness Aplatissement Max 3.0mm Projection 
Customer Client	Date	
Drawn By Dessiné Par	BoxCad: Annie	Date 07/08/2014
Material Matière	16 Ga Electro-Galvanized (1.4mm)	
Color Couleur	Iron Grey RAL7011	Finish Fini Rough Textured
Description	Detail Rev.	
6500 MX 2000mm x 700mm x 1200mm Frame		
Part Number Numéro Pièce	Rev. 0	1 2
6500MXK200712FR		

SEE BILL OF MATERIAL ON LAST PAGE

This drawing is confidential and must not be reproduced or used without the consent of EXM

Ce dessin est confidentiel et ne doit pas être reproduit ou utilisé sans le consentement de EXM



No.	Revisions	Date	By/Par

Isometric View

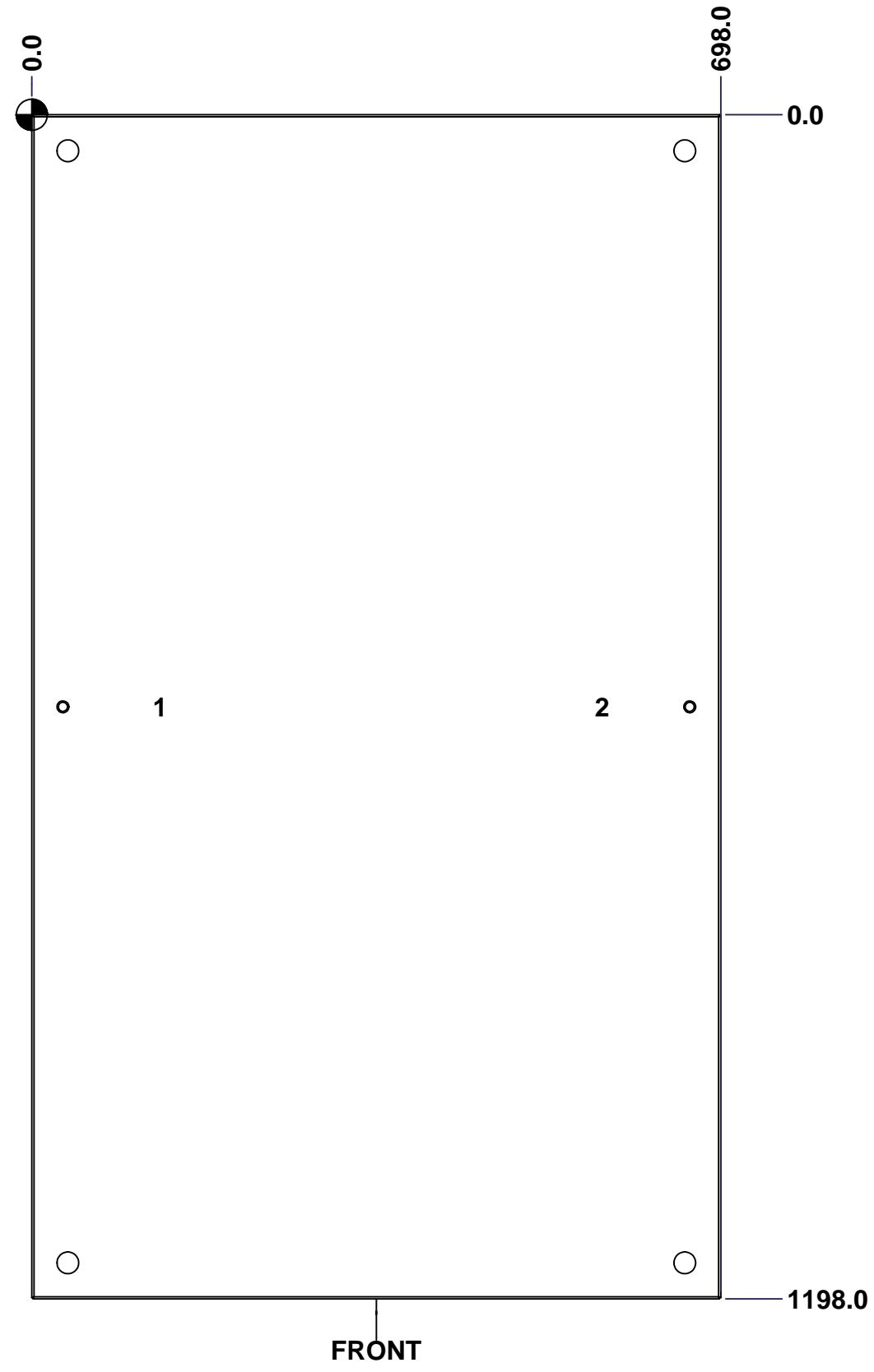
<p>Tél: (450) 979-4373 Fax: (450) 979-4626 www.exmweb.com</p>		Flatness Aplatissement	
		Max 3.0mm	
Customer Client		Projection	
Date			
Drawn By Dessiné Par		Date	
BoxCad: Annie		07/08/2014	
Material Matière		16 Ga H.R.P. & O. (1.4mm)	
Color Couleur		Finish Fini	
Iron Grey RAL7011		Rough Textured	
Description		Detail Rev.	
6500 MXT 700mm x 1200mm Top			
Part Number Numéro Pièce		Rev.	
6500MXK200712T		0	
		1	
		3	

SEE BILL OF MATERIAL ON LAST PAGE

This drawing is confidential and must not be reproduced or used without the consent of EXM

Ce dessin est confidentiel et ne doit pas être reproduit ou utilisé sans le consentement de EXM

STANDARD FEATURES ARE NOT LISTED IN THIS HOLE TABLE			
HOLE TABLE - FRONT VIEW (CUSTOM FEATURE ONLY)			
CUT-OUT	XDIM	YDIM	DESCRIPTION
1	125.0	599.0	GND STUD M6 x 16mm (Inside)
2	573.0	599.0	GND STUD M6 x 16mm (Inside)



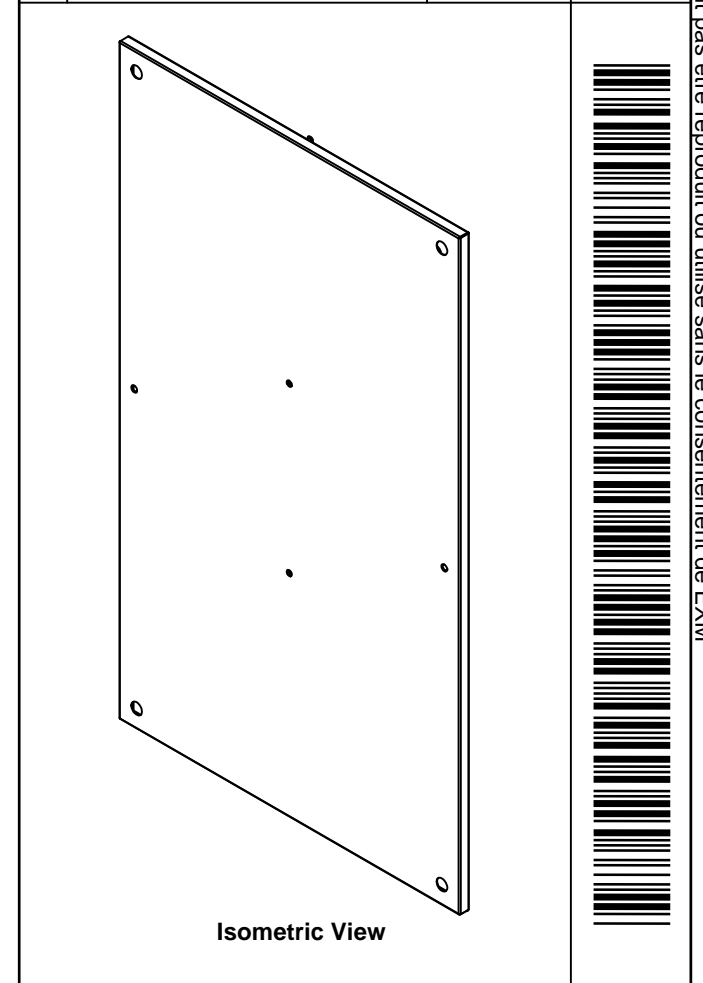
FRONT

	Description	Status	
	6500 MXT 700mm x 1200mm Top	(NULL)	
	Part Number Numéro Pièce	Rev.	
	6500MXK200712T	0	2 / 3

This drawing is confidential and must not be reproduced or used without the consent of EXM

Ce dessin est confidentiel et ne doit pas être reproduit ou utilisé sans le consentement de EXM

No.	Revisions	Date	By/Par

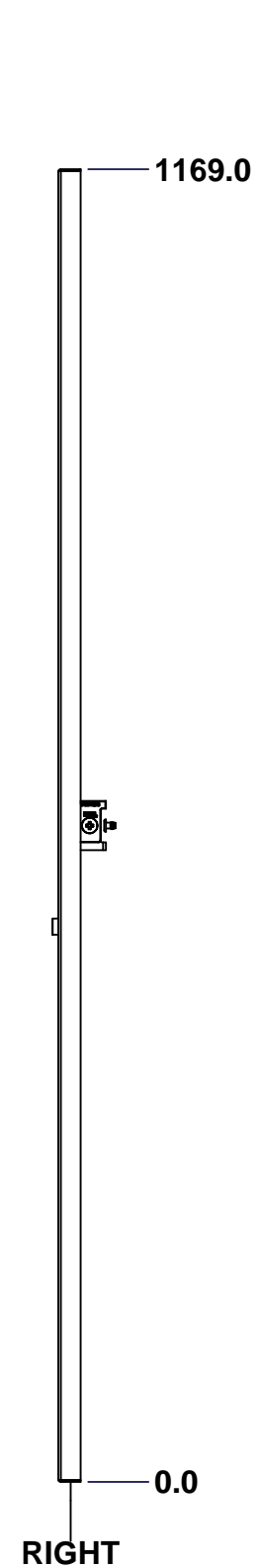
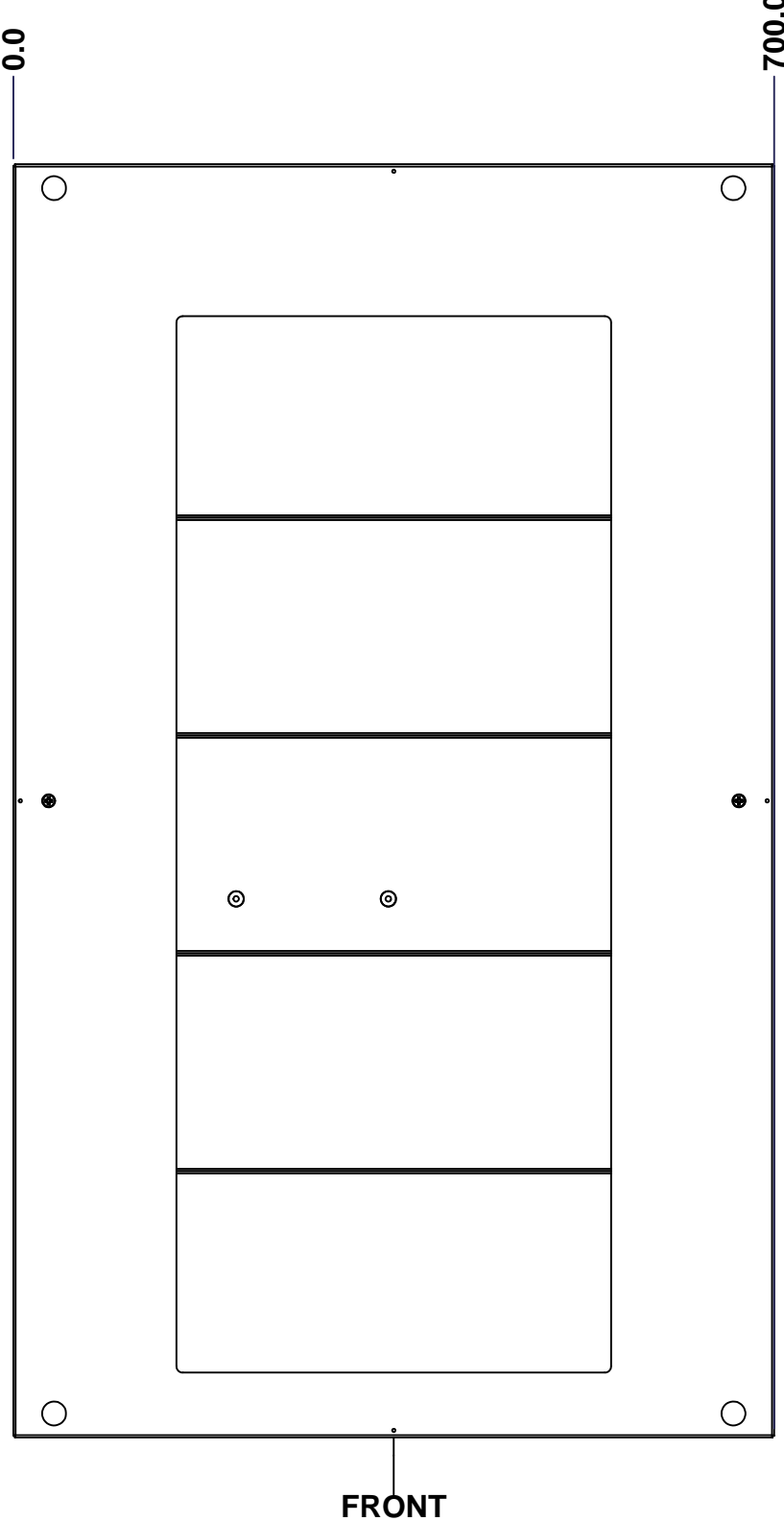
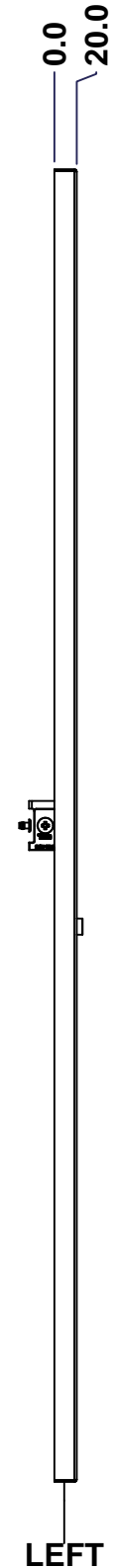
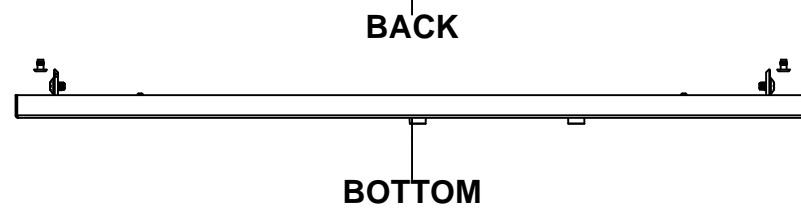
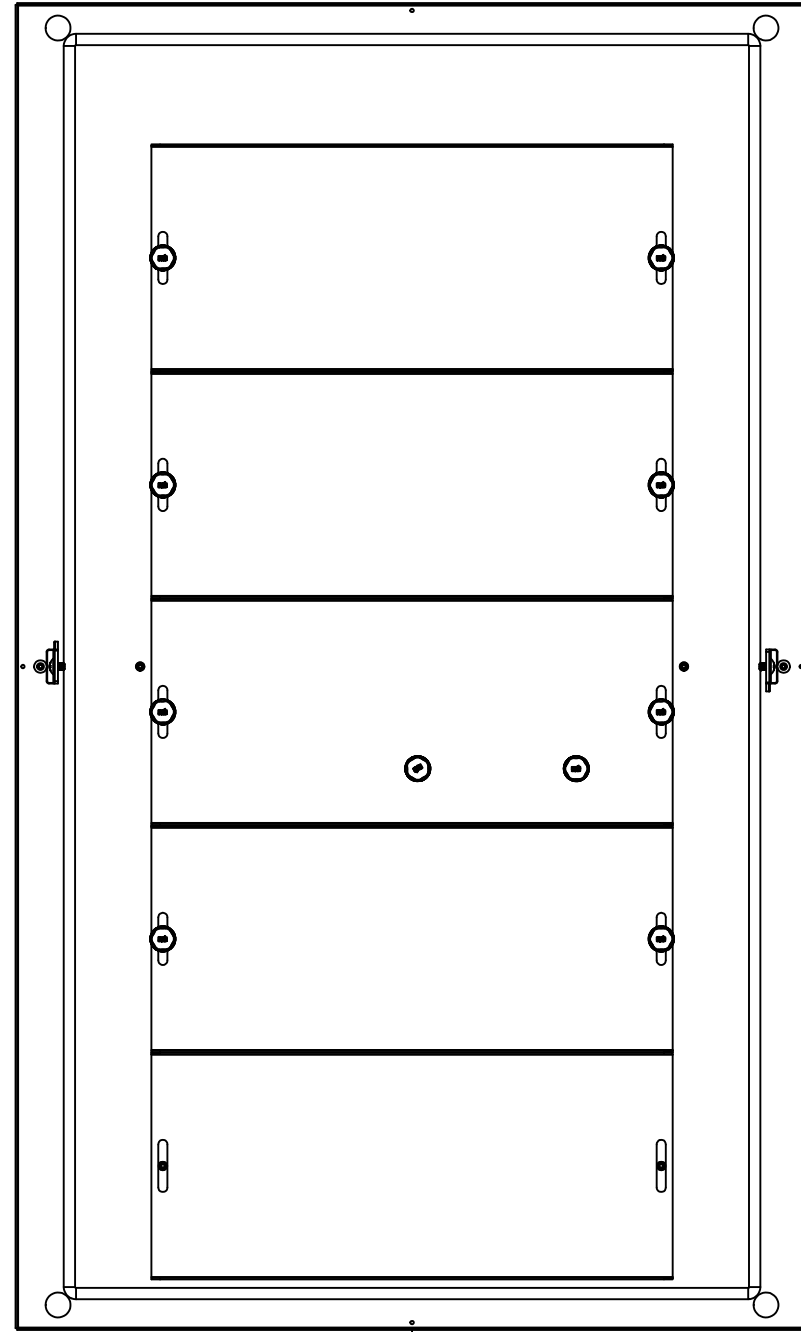
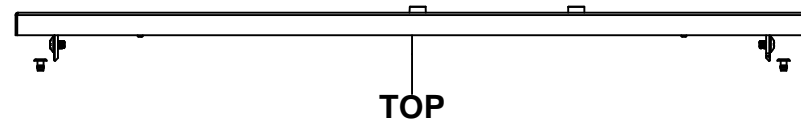


Tél: (450) 979-4373 Fax: (450) 979-4626 www.exmweb.com		Flatness Aplatissement	
		Max 3.0mm Projection	
Customer Client		Date	
Drawn By Dessiné Par		Date	
BoxCad: Annie		07/08/2014	
Material Matière		16 Ga H.R.P. & O. (1.4mm)	
Color Couleur		Iron Grey RAL7011	Finish Fini
			Rough Textured
Description			Detail Rev.
6500 MXT 700mm x 1200mm Top			
Part Number Numéro Pièce		Rev.	3
6500MXK200712T		0	3

Qty	Part Number	Rev	Description
1	STK-P-03810R	0	Powder Paint (Iron Grey / Rough Textured)
2	STK-Q-16055	1	M6 x 18mm Stud (No Paint Cap Required)
2	STK-Q-77120	1	6500MX-Frame Rubber Plug
2	STK-Q-03072	2	M6 x 17mm Phillips Flat Head Screw
1	6500MXK200712TG	0	6500 MXT 700mm x 1200mm Top Gasket
1	6500MXK200712T-P	0	6500 MXT 700mm x 1200mm Top Part
2	STK-K-11010	3	Partial Fixed Bracket Kit
Parts List			

This drawing is confidential and must not be reproduced or used without the consent of EXM

Ce dessin est confidentiel et ne doit pas être reproduit ou utilisé sans le consentement de EXM



No.	Revisions	Date	By/Par

Isometric View

Tél: (450) 979-4373 Fax: (450) 979-4626 www.exmweb.com		Flatness Aplatissement	
		Max 3.0mm	
Customer Client		Projection	
Date			
Drawn By Dessiné Par		Date	
BoxCad: Annie		07/08/2014	
Material Matière		16 Ga H.R.P. & O. (1.4mm)	
Color Couleur		Finish Fini	
Iron Grey RAL7011		Rough Textured	
Description		Detail Rev.	
6500 MXB 700mm x 1200mm Bottom			
Part Number Numéro Pièce		Rev.	
6500MXK200712BT		0	
		1	
		3	

SEE BILL OF MATERIAL ON LAST PAGE

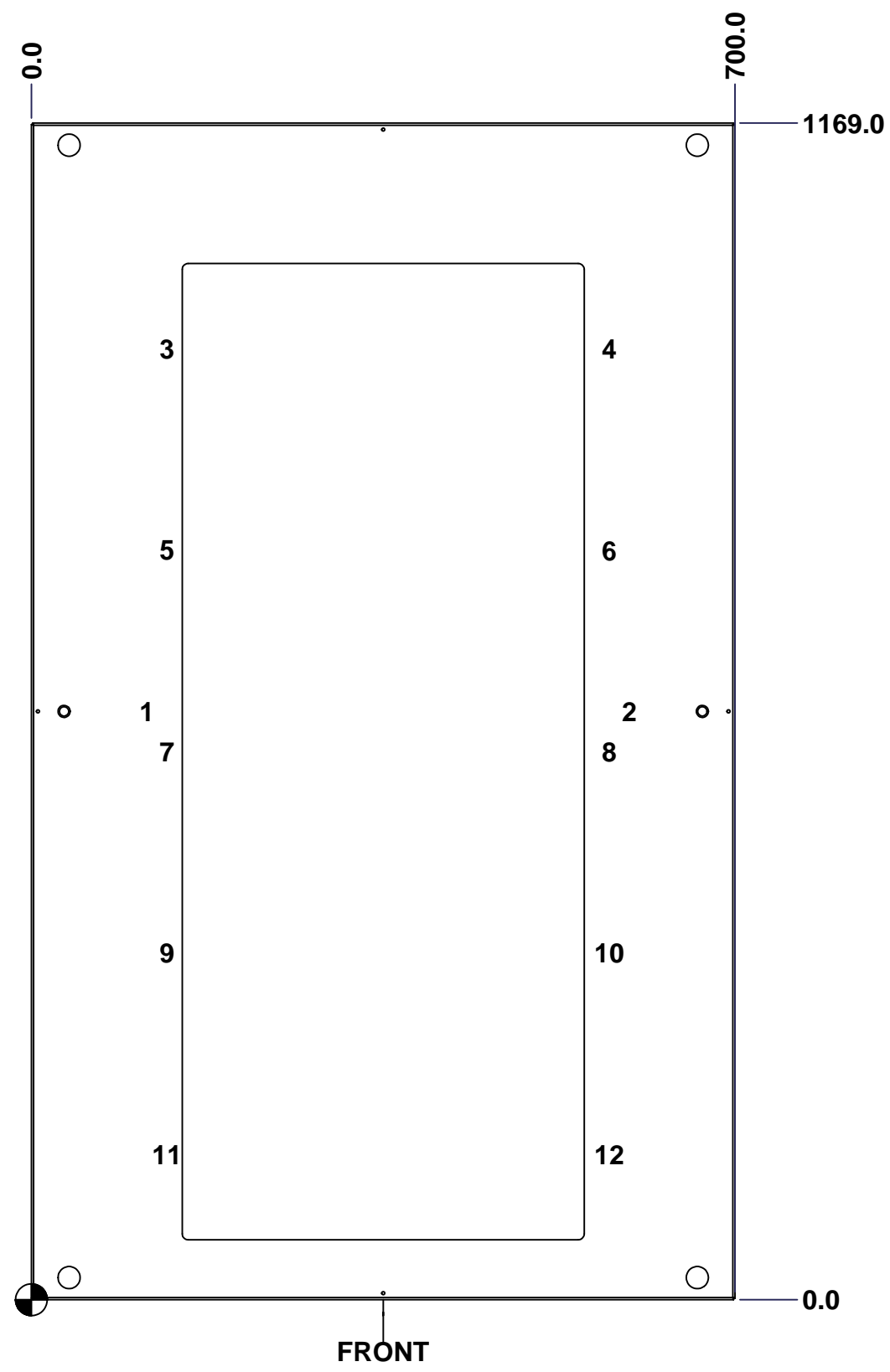
This drawing is confidential and must not be reproduced or used without the consent of EXM

Ce dessin est confidentiel et ne doit pas être reproduit ou utilisé sans le consentement de EXM

STANDARD FEATURES ARE NOT LISTED IN THIS HOLE TABLE

HOLE TABLE - FRONT VIEW (CUSTOM FEATURE ONLY)

CUT-OUT	XDIM	YDIM	DESCRIPTION
1	110.0	584.5	GND STUD M6 x 16mm (Inside)
2	590.0	584.5	GND STUD M6 x 16mm (Inside)
3	130.0	944.5	GP STUD M6 x 10mm (Inside)
4	570.0	944.5	GP STUD M6 x 10mm (Inside)
5	130.0	744.5	GP STUD M6 x 10mm (Inside)
6	570.0	744.5	GP STUD M6 x 10mm (Inside)
7	130.0	544.5	GP STUD M6 x 10mm (Inside)
8	570.0	544.5	GP STUD M6 x 10mm (Inside)
9	130.0	344.5	GP STUD M6 x 10mm (Inside)
10	570.0	344.5	GP STUD M6 x 10mm (Inside)
11	130.0	144.5	GP STUD M6 x 10mm (Inside)
12	570.0	144.5	GP STUD M6 x 10mm (Inside)

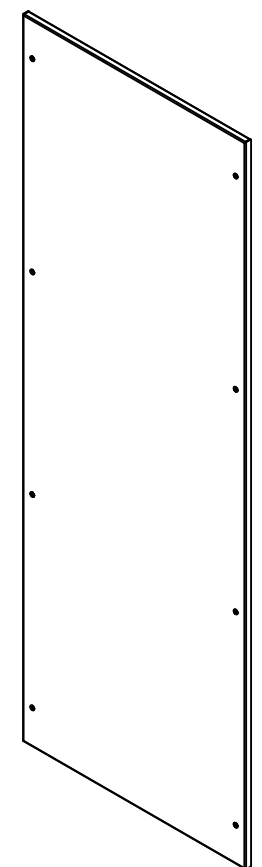


	Description	Status
	6500 MXB 700mm x 1200mm Bottom	(NULL)
	Part Number Numéro Pièce	Rev.
	6500MXK200712BT	0
		2
		3


This drawing is confidential and must not be reproduced or used without the consent of EXM


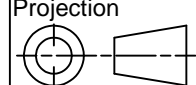
Ce dessin est confidentiel et ne doit pas être reproduit ou utilisé sans le consentement de EXM

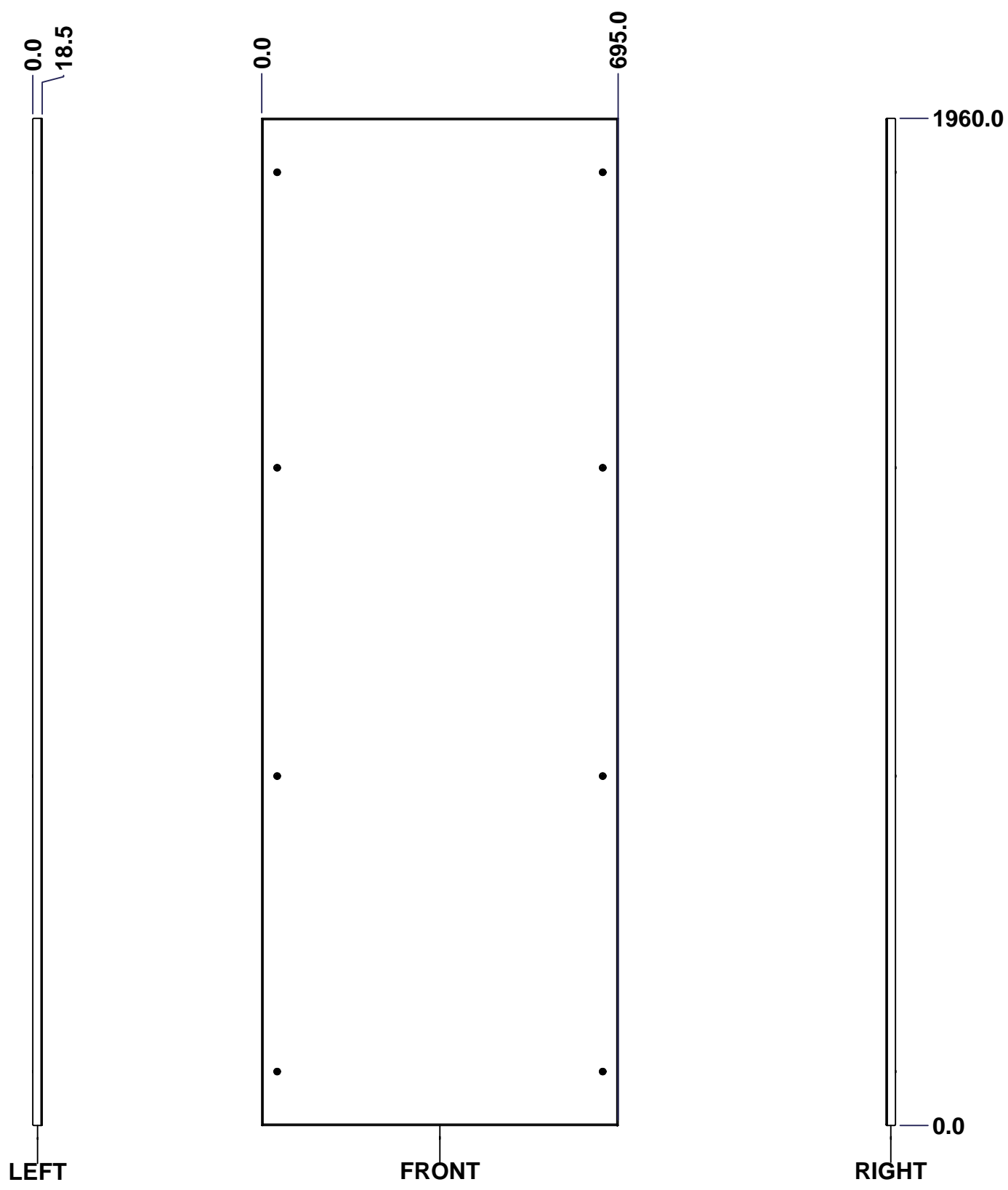
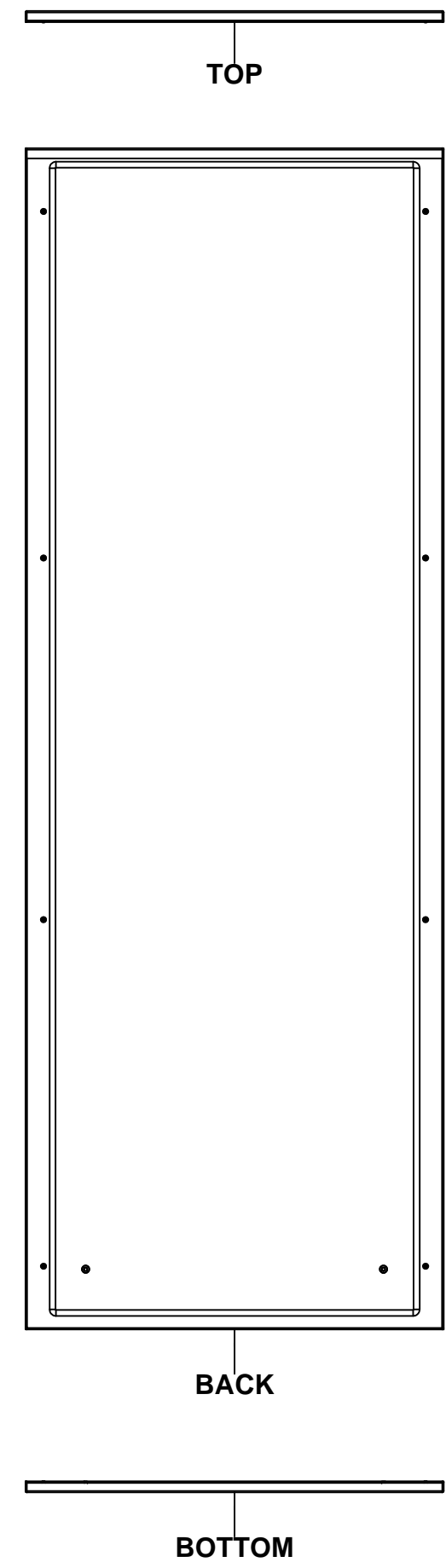
No.	Revisions	Date	By/Par



Isometric View



 Tél: (450) 979-4373 Fax: (450) 979-4626 www.exmweb.com		Flatness Aplatissement Max 3.0mm Projection 
Customer Client	Date	
Drawn By Dessiné Par	BoxCad: Annie	Date 07/08/2014
Material Matière	14 Ga H.R.P. & O. (1.7mm)	
Color Couleur	Light Grey RAL7035	Finish Fin Rough Textured
Description 6500 MXR 2000mm x 700mm Back		Detail Rev.
Part Number Numéro Pièce	Rev. 0	1 3



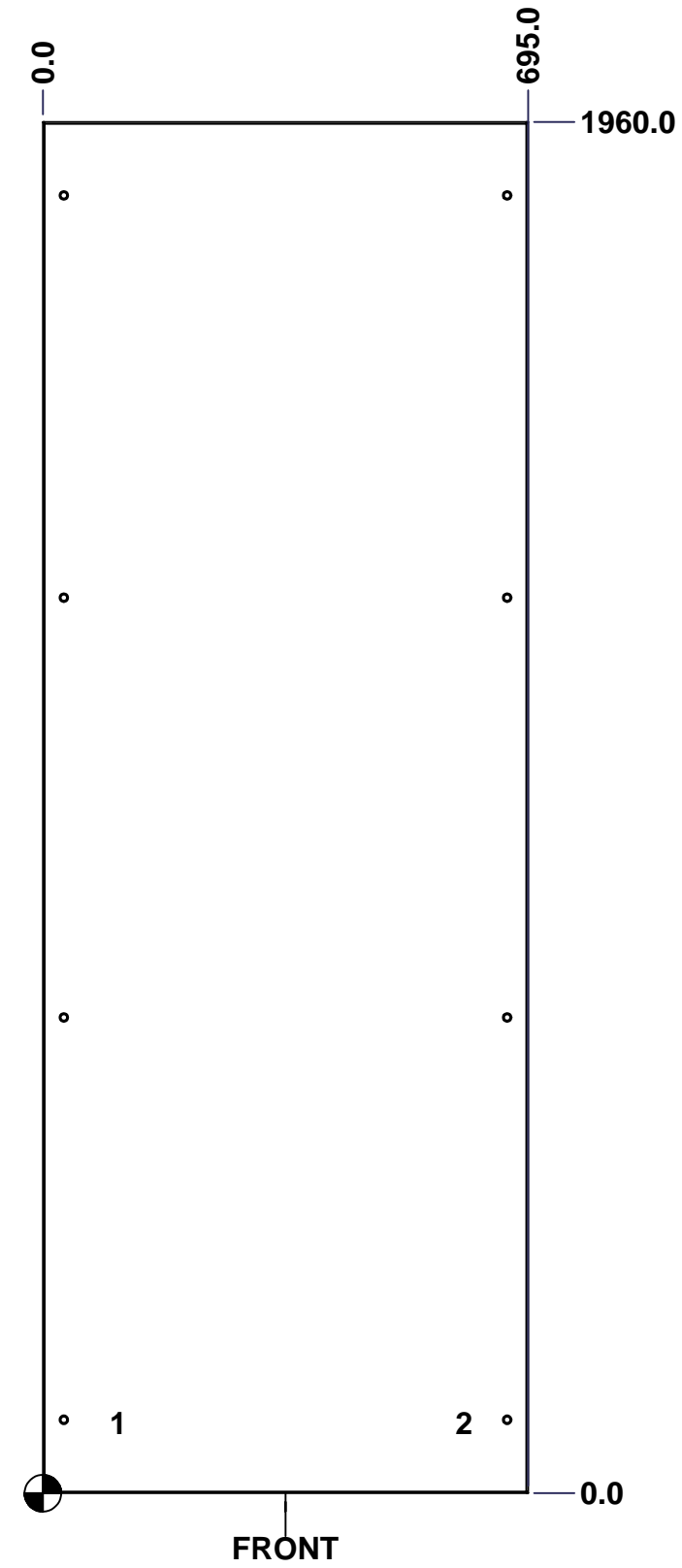
SEE BILL OF MATERIAL ON LAST PAGE

6500MXK200712B

This drawing is confidential and must not be reproduced or used without the consent of EXM

Ce dessin est confidentiel et ne doit pas être reproduit ou utilisé sans le consentement de EXM

STANDARD FEATURES ARE NOT LISTED IN THIS HOLE TABLE			
HOLE TABLE - FRONT VIEW (CUSTOM FEATURE ONLY)			
CUT-OUT	XDIM	YDIM	DESCRIPTION
1	100.0	100.0	GND STUD M6 x 16mm (Inside)
2	595.0	100.0	GND STUD M6 x 16mm (Inside)

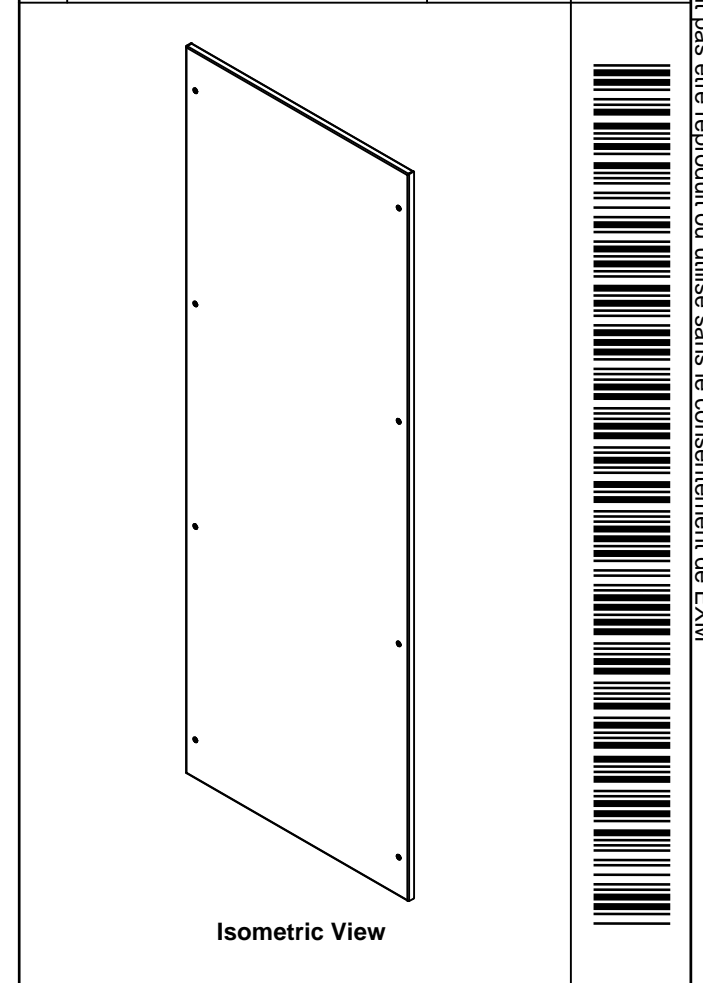


	Description 6500 MXR 2000mm x 700mm Back	Status (NULL)
	Part Number Numéro Pièce 6500MXK200712B	Rev. 2 0 / 3

This drawing is confidential and must not be reproduced or used without the consent of EXM

Ce dessin est confidentiel et ne doit pas être reproduit ou utilisé sans le consentement de EXM

No.	Revisions	Date	By/Par



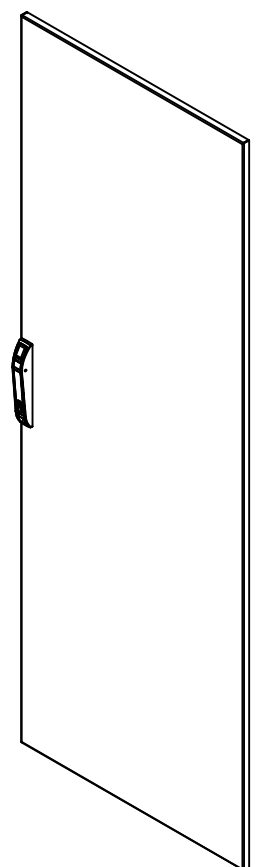
Tél: (450) 979-4373 Fax: (450) 979-4626 www.exmweb.com		Flatness Aplatissement	
		Max 3.0mm Projection	
Customer Client		Date	
Drawn By Dessiné Par BoxCad: Annie		Date 07/08/2014	
Material Matière 14 Ga H.R.P. & O. (1.7mm)			
Color Couleur Light Grey RAL7035		Finish Fini Rough Textured	
Description 6500 MXR 2000mm x 700mm Back			Detail Rev.
Part Number Numéro Pièce 6500MXK200712B			Rev. 3
			0

Qty	Part Number	Rev	Description
1	STK-P-03820R	0	Powder Paint (Light Grey / Rough Textured)
8	STK-Q-03072	2	M6 x 17mm Phillips Flat Head Screw
2	STK-Q-16080	0.1.1	M6 x 16mm Ground Stud
1	6500MXK200712BG	0	6500 MXR 2000mm x 700mm Back Gasket
1	6500MXK200712B-P	0	6500 MXR 2000mm x 700mm Back Part
Parts List			


This drawing is confidential and must not be reproduced or used without the consent of EXM


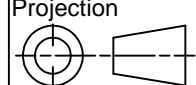
Ce dessin est confidentiel et ne doit pas être reproduit ou utilisé sans le consentement de EXM

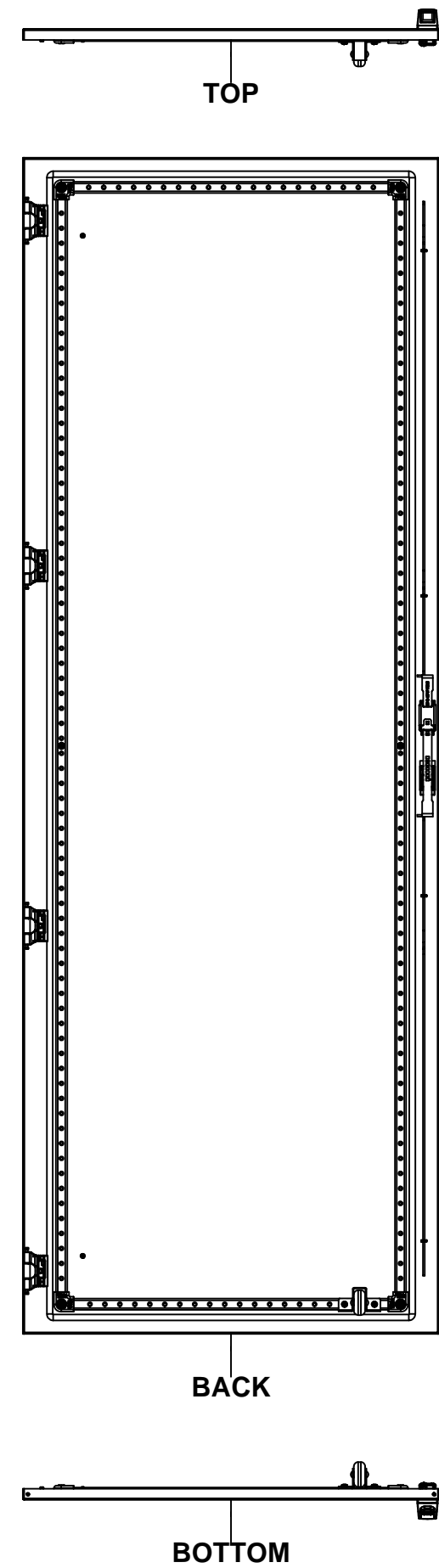
No.	Revisions	Date	By/Par



Isometric View



 Tél: (450) 979-4373 Fax: (450) 979-4626 www.exmweb.com		Flatness Aplatissement Max 3.0mm Projection 
Customer Client	Date	
Drawn By Dessiné Par	BoxCad: Annie	Date 07/08/2014
Material Matière	14 Ga H.R.P. & O. (1.7mm)	
Color Couleur	Light Grey RAL7035	Finish Fin Rough Textured
Description		Detail Rev.
6500 MXD 2000mm x 700mm Front		
Part Number Numéro Pièce	Rev.	1 3
6500MXK200712F	0	



SEE BILL OF MATERIAL ON LAST PAGE

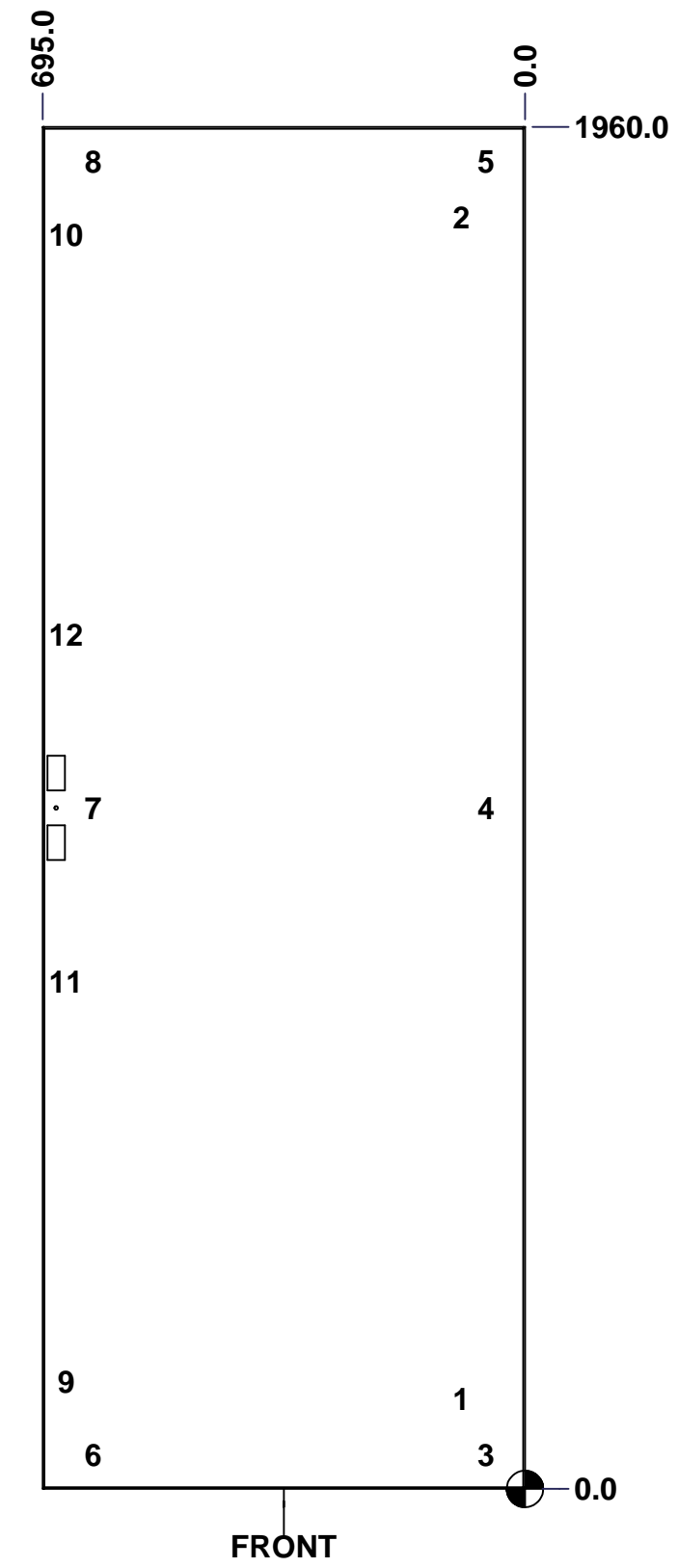
This drawing is confidential and must not be reproduced or used without the consent of EXM

Ce dessin est confidentiel et ne doit pas être reproduit ou utilisé sans le consentement de EXM

STANDARD FEATURES ARE NOT LISTED IN THIS HOLE TABLE

HOLE TABLE - FRONT VIEW (CUSTOM FEATURE ONLY)

CUT-OUT	XDIM	YDIM	DESCRIPTION
1	100.0	130.0	GND STUD M6 x 16mm (Inside)
2	100.0	1830.0	GND STUD M6 x 16mm (Inside)
3	64.5	49.5	STIFF. STUD M6 x 18mm (Inside)
4	64.5	980.0	STIFF. STUD M6 x 18mm (Inside)
5	64.5	1910.5	STIFF. STUD M6 x 18mm (Inside)
6	630.5	49.5	STIFF. STUD M6 x 18mm (Inside)
7	630.5	980.0	STIFF. STUD M6 x 18mm (Inside)
8	630.5	1910.5	STIFF. STUD M6 x 18mm (Inside)
9	669.5	155.0	CLOSING BAR GUIDE (Inside)
10	669.5	1805.0	CLOSING BAR GUIDE (Inside)
11	669.5	730.0	CLOSING BAR GUIDE (Inside)
12	669.5	1230.0	CLOSING BAR GUIDE (Inside)

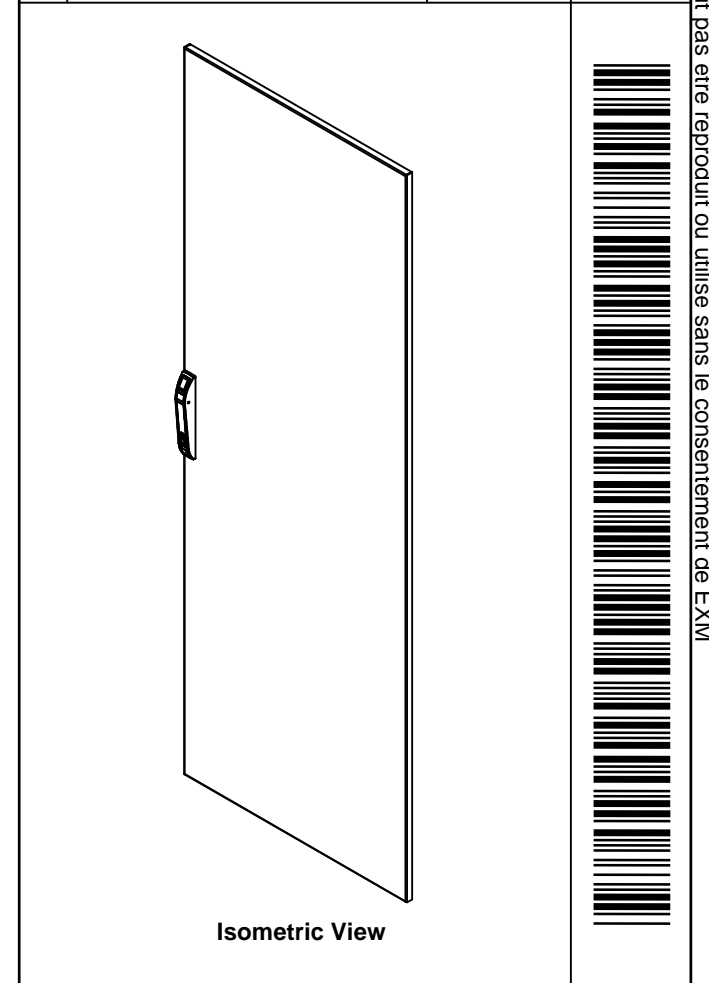


	Description 6500 MXD 2000mm x 700mm Front	Status (NULL)
	Part Number Numéro Pièce 6500MXK200712F	Rev. 2 0


This drawing is confidential and must not be reproduced or used without the consent of EXM

Ce dessin est confidentiel et ne doit pas être reproduit ou utilisé sans le consentement de EXM

No.	Revisions	Date	By/Par



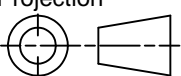
1	STK-P-03820R	0	Powder Paint (Light Grey / Rough Textured)
1	6500MXSRK	1	6500 MXRSK Door Support Roller
4	STK-Q-78022	0	Mtrx Closing Bar Slider
1	STK-Q-45746-20	1	6500 MXD - Lock Door Closing Bar
4	STK-Q-33105	4	5412 ESBU Buttable Hinge (Cover Part)
1	STK-Q-45729-20	2	6500 MXD - Lock Door Top Closing Bar
1	886PHD-S	4	Euroform Pull Handle Kit
8	STK-Q-16055	1	M6 x 18mm Stud (No Paint Cap Required)
1	6500MXK200712DS1	5	6500 MX 2000mm x 700mm Door Stiffener
1	6500MXK200712FG	0	6500 MXD 2000mm x 700mm Front Gasket
1	6500MXK200712F-P	0	6500 MXD 2000mm x 700mm Front Part
4	STK-K-06811	1	6500 MX - Hinge Assy
Qty	Part Number	Rev	Description
Parts List			



Tél: (450) 979-4373
Fax: (450) 979-4626
www.exmweb.com

Flatness
Aplatissement
Max 3.0mm

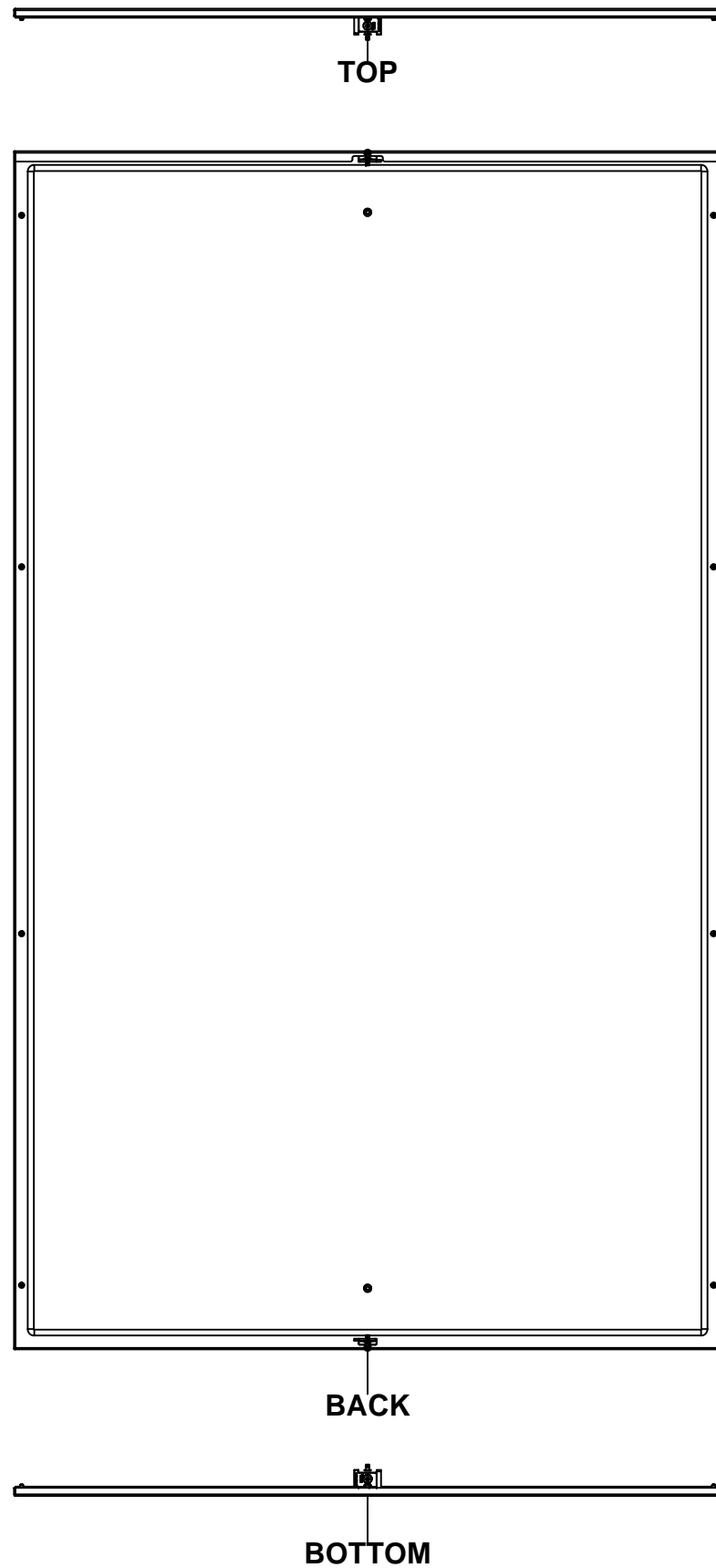
Projection



Customer Client		Date
Drawn By Dessiné Par	BoxCad: Annie	Date 07/08/2014
Material Matière 14 Ga H.R.P. & O. (1.7mm)		
Color Couleur	Light Grey RAL7035	Finish Fini Rough Textured
Description 6500 MXD 2000mm x 700mm Front		Detail Rev.
Part Number Numéro Pièce 6500MXK200712F		Rev. 3 0


This drawing is confidential and must not be reproduced or used without the consent of EXM


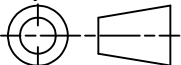
Ce dessin est confidentiel et ne doit pas être reproduit ou utilisé sans le consentement de EXM



No.	Revisions	Date	By/Par

Isometric View



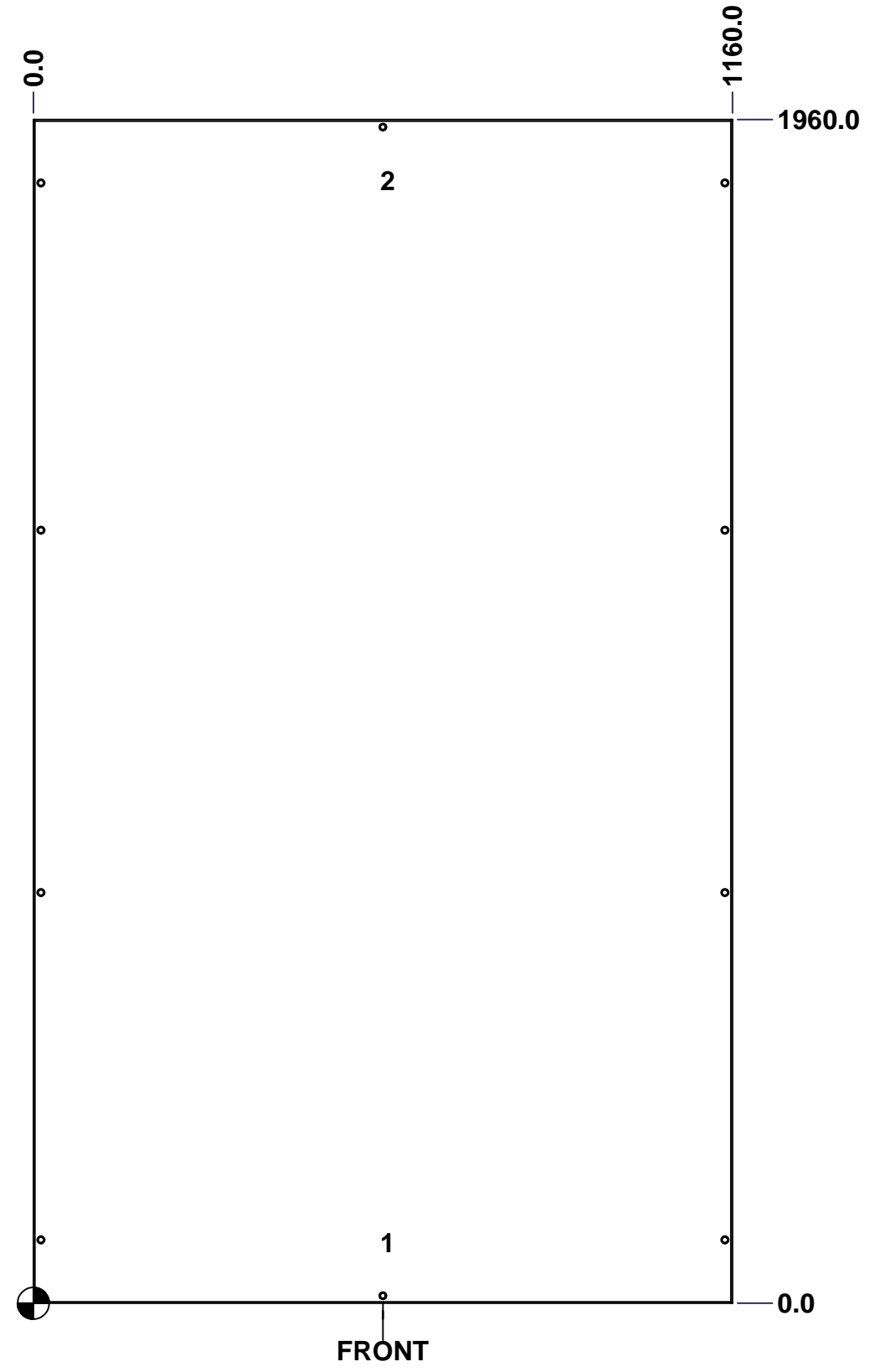
 Tél: (450) 979-4373 Fax: (450) 979-4626 www.exmweb.com		Flatness Aplatissement	
		Max 3.0mm	
Customer Client		Projection	
Date			
Drawn By Dessiné Par BoxCad: Annie		Date 07/08/2014	
Material Matière 14 Ga H.R.P. & O. (1.7mm)		Date	
Color Couleur Light Grey RAL7035		Finish Fini Rough Textured	
Description 6500 MXC 2000mm x 1200mm Left		Detail Rev.	
Part Number Numéro Pièce 6500MXK200712L		Rev. 0	1 / 3

SEE BILL OF MATERIAL ON LAST PAGE

This drawing is confidential and must not be reproduced or used without the consent of EXM

Ce dessin est confidentiel et ne doit pas être reproduit ou utilisé sans le consentement de EXM

STANDARD FEATURES ARE NOT LISTED IN THIS HOLE TABLE			
HOLE TABLE - FRONT VIEW (CUSTOM FEATURE ONLY)			
CUT-OUT	XDIM	YDIM	DESCRIPTION
1	580.0	100.0	GND STUD M6 x 16mm (Inside)
2	580.0	1860.0	GND STUD M6 x 16mm (Inside)

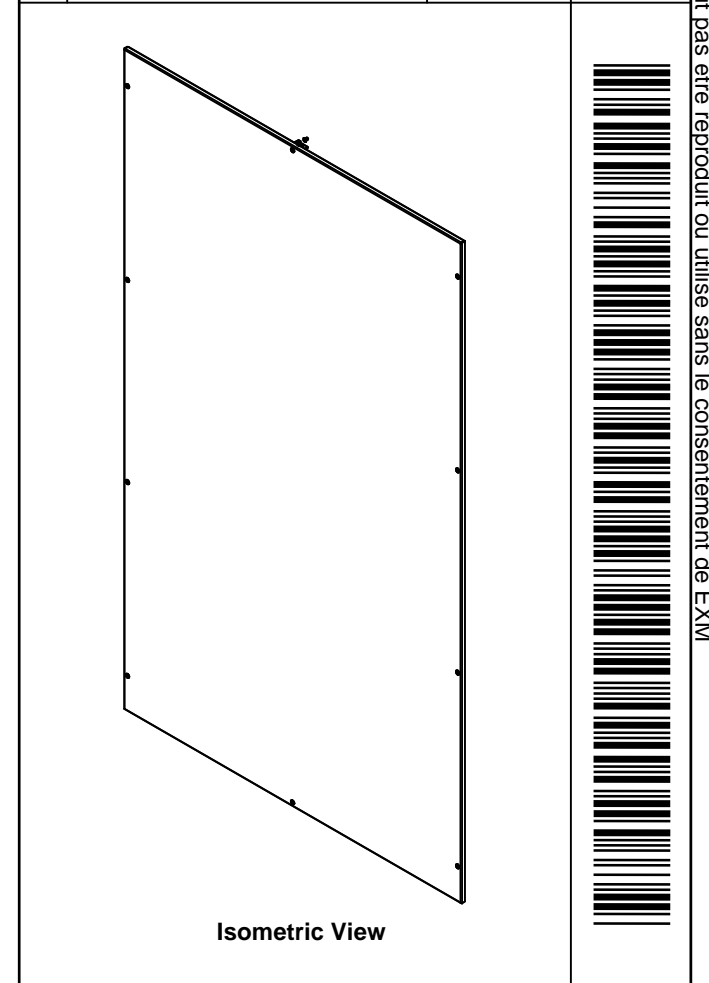



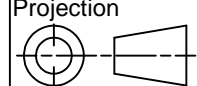
	Description	Status
	6500 MXC 2000mm x 1200mm Left	(NULL)
	Part Number Numéro Pièce	Rev.
	6500MXK200712L	0
		2
		3

This drawing is confidential and must not be reproduced or used without the consent of EXM

Ce dessin est confidentiel et ne doit pas être reproduit ou utilisé sans le consentement de EXM

No.	Revisions	Date	By/Par

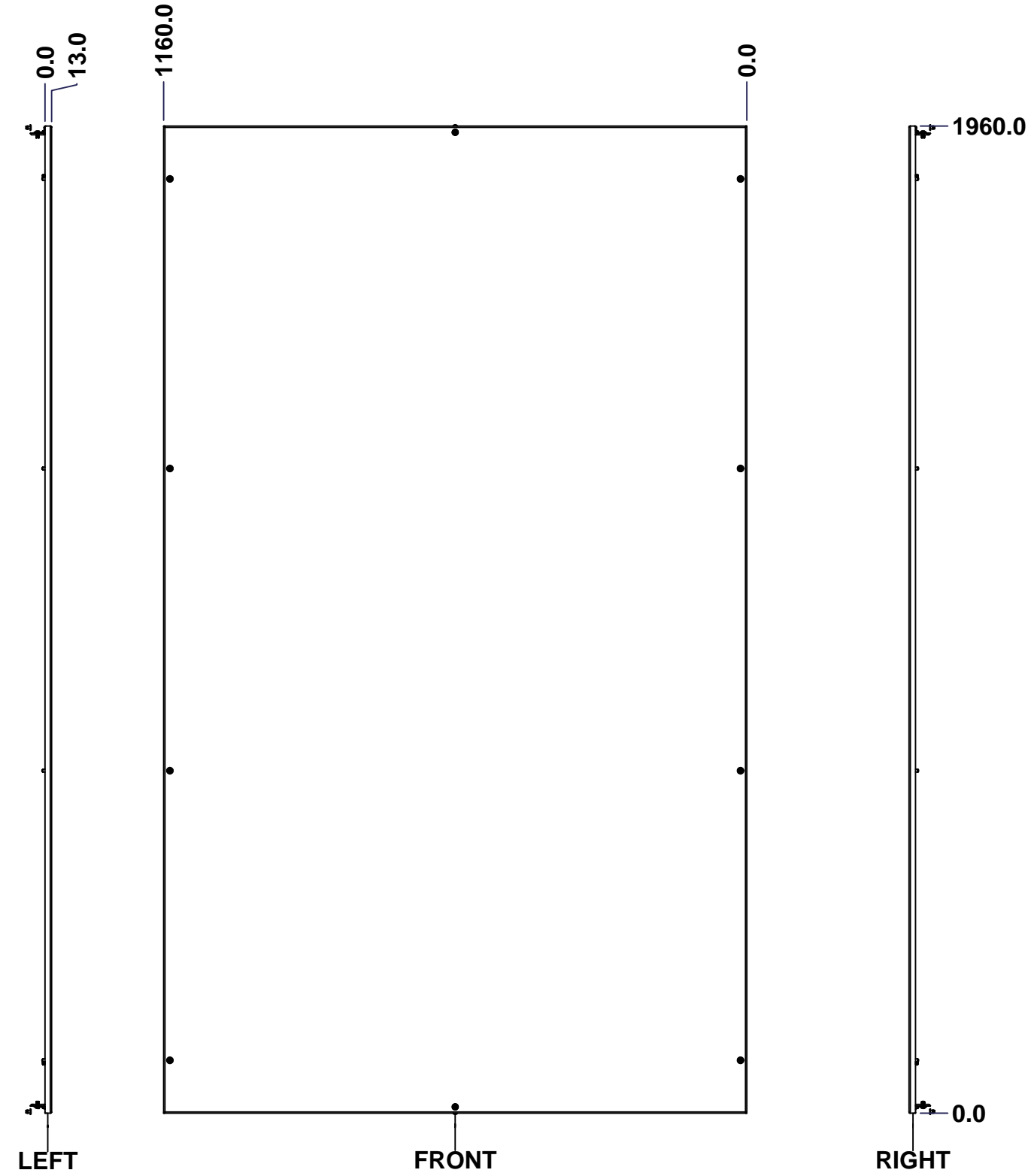
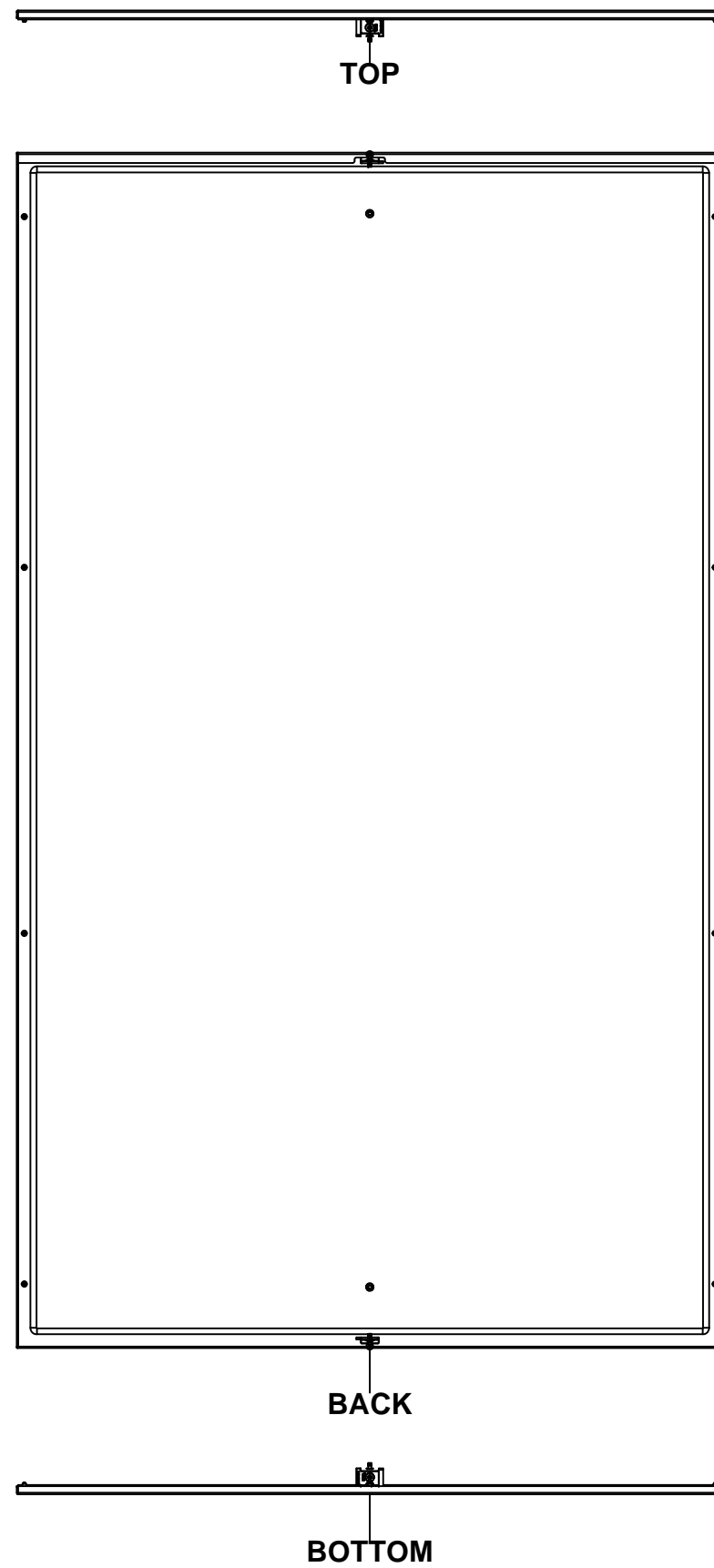


 Tél: (450) 979-4373 Fax: (450) 979-4626 www.exmweb.com		Flatness Aplatissement Max 3.0mm Projection 
Customer Client	Date	
Drawn By Dessiné Par	BoxCad: Annie	Date 07/08/2014
Material Matière	14 Ga H.R.P. & O. (1.7mm)	
Color Couleur	Light Grey RAL7035	Finish Fini Rough Textured
Description		Detail Rev.
6500 MXC 2000mm x 1200mm Left		
Part Number Numéro Pièce	Rev. 3	3
6500MXK200712L		0

Qty	Part Number	Rev	Description
1	STK-P-03820R	0	Powder Paint (Light Grey / Rough Textured)
2	STK-Q-77120	1	6500MX-Frame Rubber Plug
10	STK-Q-03072	2	M6 x 17mm Phillips Flat Head Screw
2	STK-Q-16080	0.1.	M6 x 16mm Ground Stud
		1	
1	6500MXK200712LG	0	6500 MXC 2000mm x 1200mm Left Gasket
1	6500MXK200712L-P	0	6500 MXC 2000mm x 1200mm Left Part
2	STK-K-11010	3	Partial Fixed Bracket Kit
Parts List			

This drawing is confidential and must not be reproduced or used without the consent of EXM

Ce dessin est confidentiel et ne doit pas être reproduit ou utilisé sans le consentement de EXM



No.	Revisions	Date	By/Par

Isometric View

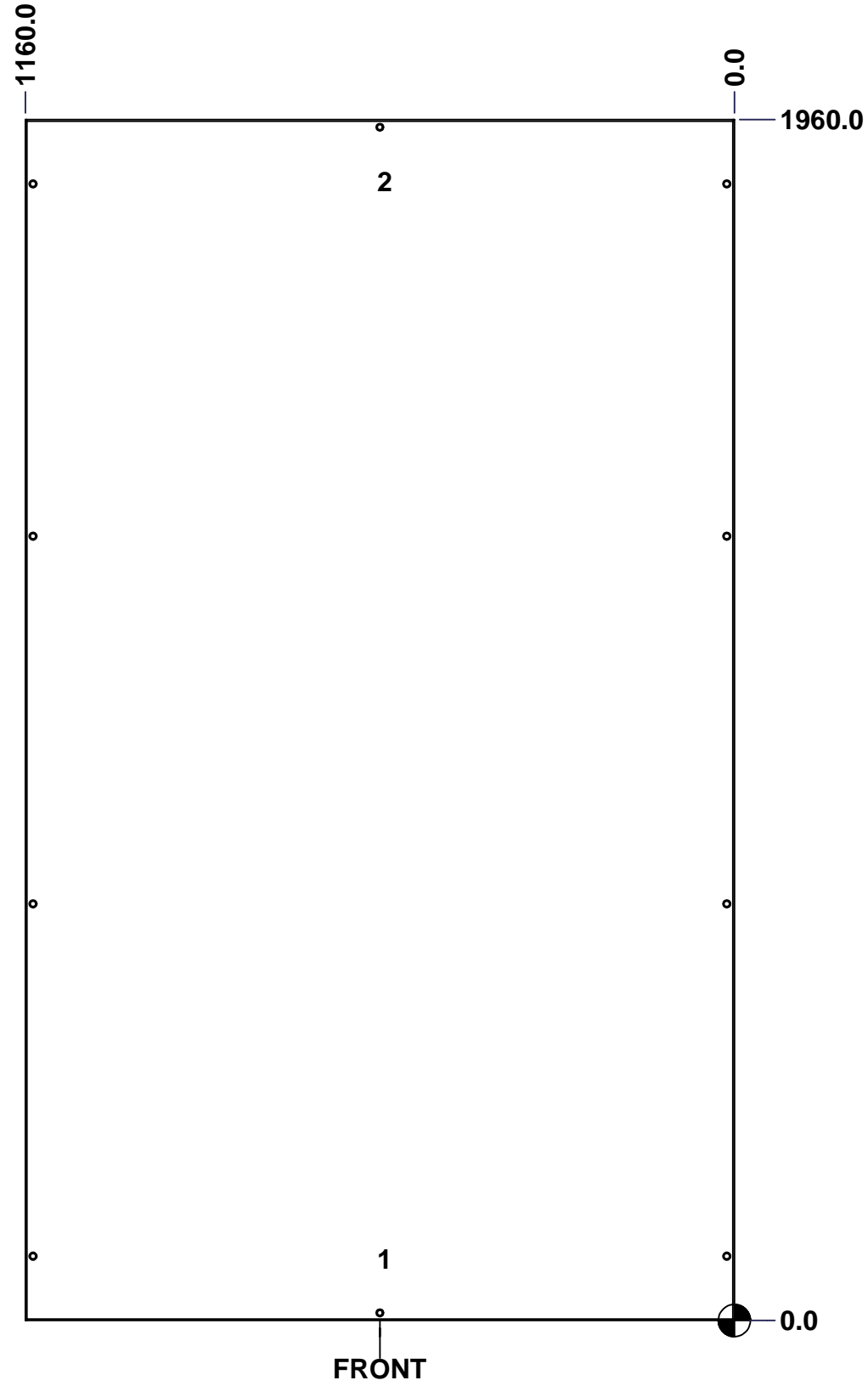
Tél: (450) 979-4373 Fax: (450) 979-4626 www.exmweb.com		Flatness Aplatissement	
		Max 3.0mm	
Customer Client		Projection	
Date			
Drawn By Dessiné Par		Date	
BoxCad: Annie		07/08/2014	
Material Matière		14 Ga H.R.P. & O. (1.7mm)	
Color Couleur		Finish Fini	
Light Grey RAL7035		Rough Textured	
Description		Detail Rev.	
6500 MXC 2000mm x 1200mm Right			
Part Number Numéro Pièce		Rev.	
6500MXK200712R		0	1 3

SEE BILL OF MATERIAL ON LAST PAGE

This drawing is confidential and must not be reproduced or used without the consent of EXM

Ce dessin est confidentiel et ne doit pas être reproduit ou utilisé sans le consentement de EXM

STANDARD FEATURES ARE NOT LISTED IN THIS HOLE TABLE			
HOLE TABLE - FRONT VIEW (CUSTOM FEATURE ONLY)			
CUT-OUT	XDIM	YDIM	DESCRIPTION
1	580.0	100.0	GND STUD M6 x 16mm (Inside)
2	580.0	1860.0	GND STUD M6 x 16mm (Inside)

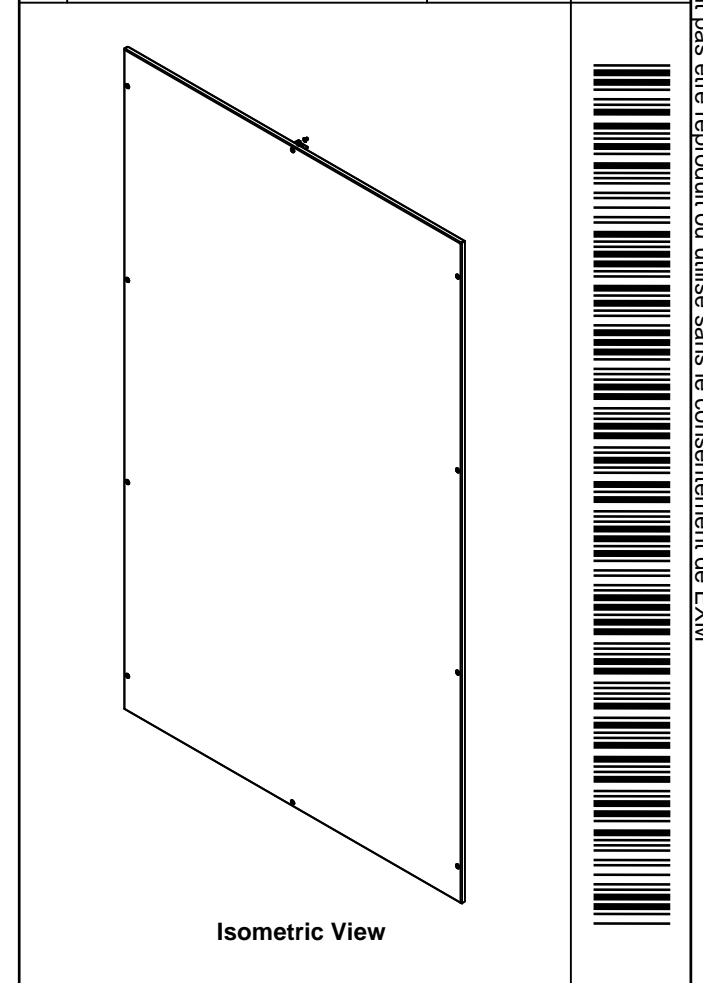



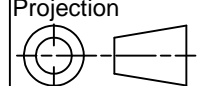
	Description	Status	
	6500 MXC 2000mm x 1200mm Right	(NULL)	
	Part Number Numéro Pièce	Rev.	
	6500MXK200712R	0	2 3

This drawing is confidential and must not be reproduced or used without the consent of EXM

Ce dessin est confidentiel et ne doit pas être reproduit ou utilisé sans le consentement de EXM

No.	Revisions	Date	By/Par

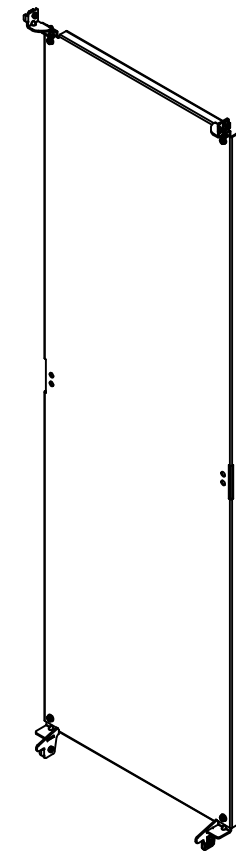
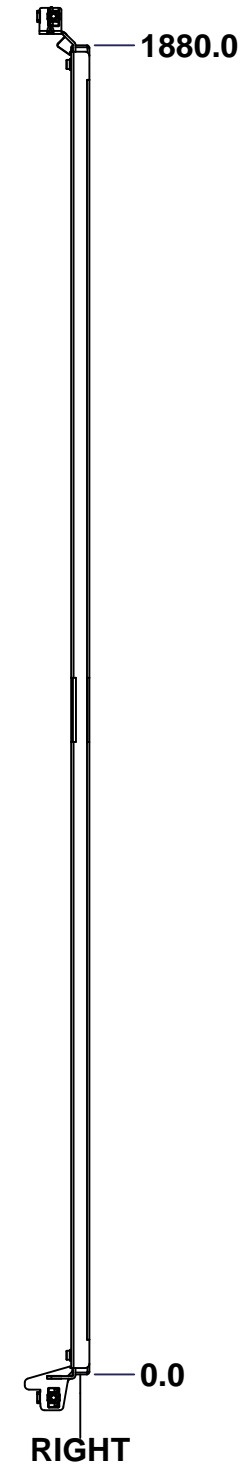
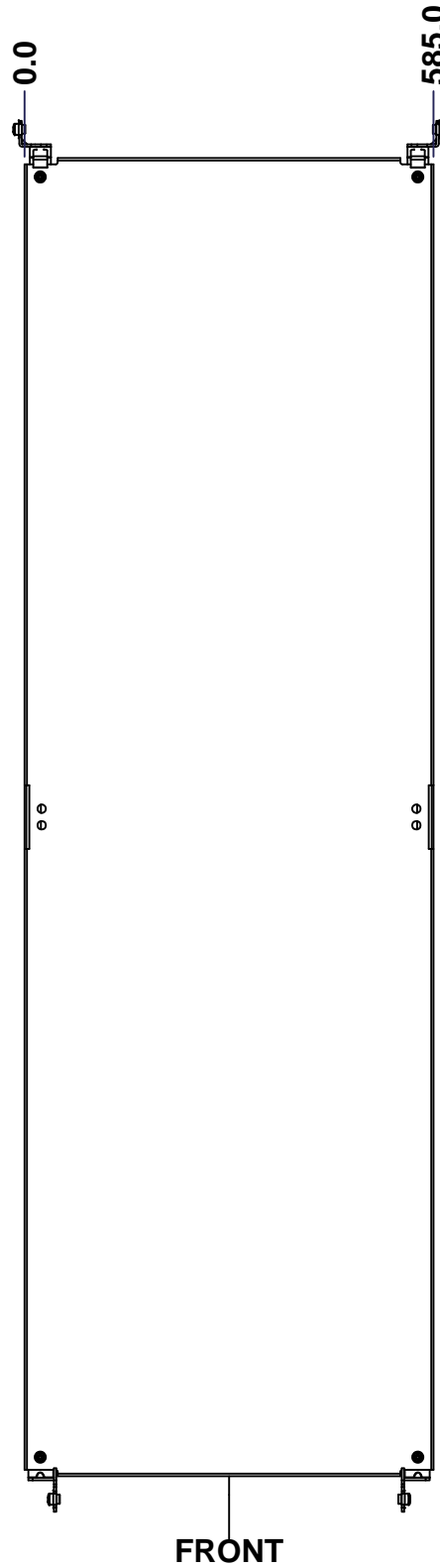
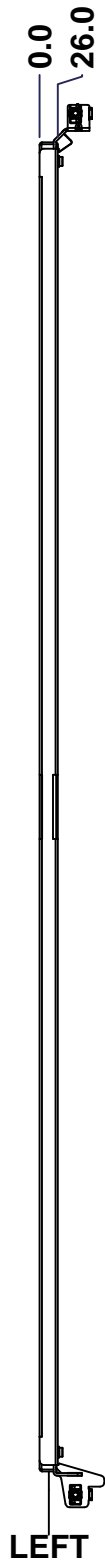
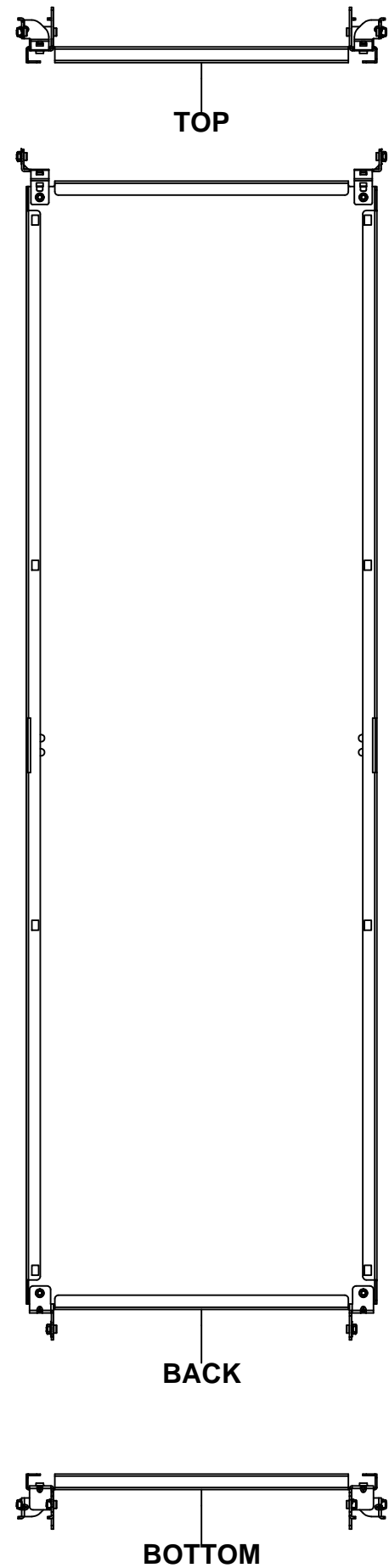


 Tél: (450) 979-4373 Fax: (450) 979-4626 www.exmweb.com		Flatness Aplatissement Max 3.0mm Projection 
Customer Client	Date	
Drawn By Dessiné Par	BoxCad: Annie	Date 07/08/2014
Material Matière	14 Ga H.R.P. & O. (1.7mm)	
Color Couleur	Light Grey RAL7035	Finish Fini Rough Textured
Description		Detail Rev.
6500 MXC 2000mm x 1200mm Right		
Part Number Numéro Pièce	6500MXK200712R	Rev. 3
		0

Qty	Part Number	Rev	Description
1	STK-P-03820R	0	Powder Paint (Light Grey / Rough Textured)
2	STK-Q-77120	1	6500MX-Frame Rubber Plug
10	STK-Q-03072	2	M6 x 17mm Phillips Flat Head Screw
2	STK-Q-16080	0.1.1	M6 x 16mm Ground Stud
1	6500MXK200712LG	0	6500 MXC 2000mm x 1200mm Left Gasket
1	6500MXK200712L-P	0	6500 MXC 2000mm x 1200mm Left Part
2	STK-K-11010	3	Partial Fixed Bracket Kit
Parts List			

This drawing is confidential and must not be reproduced or used without the consent of EXM


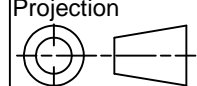
Ce dessin est confidentiel et ne doit pas être reproduit ou utilisé sans le consentement de EXM



Isometric View



No.	Revisions	Date	By/Par

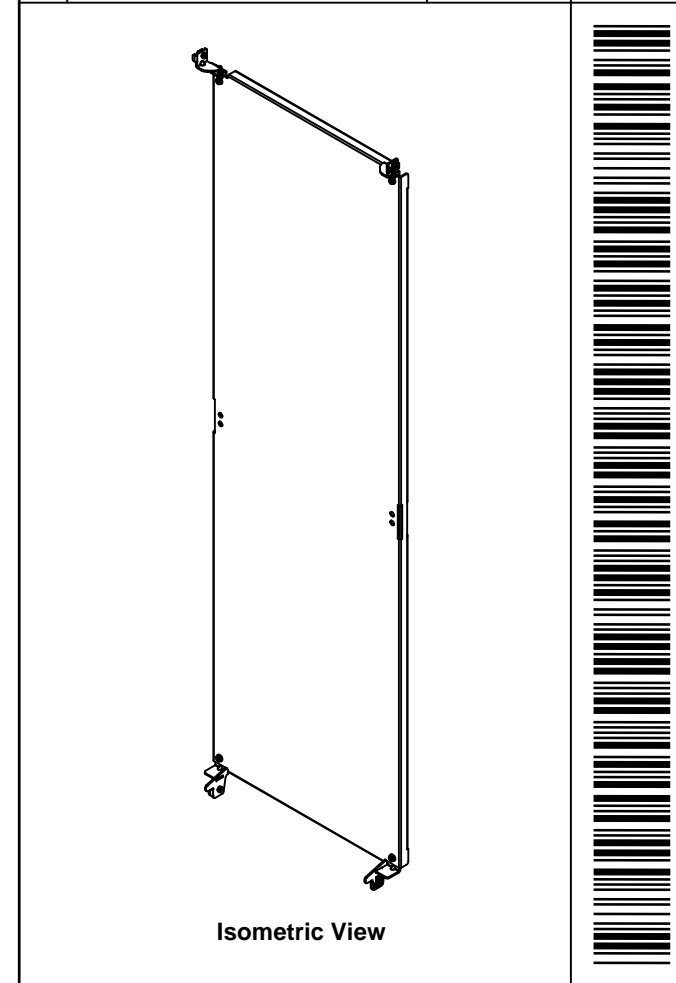
 Tél: (450) 979-4373 Fax: (450) 979-4626 www.exmweb.com		Flatness Aplatissement Max 3.0mm Projection 
Customer Client	Date	
Drawn By Dessiné Par	BoxCad: Annie	Date 07/08/2014
Material Matière	12 Ga Galvanized (2.5mm)	
Color Couleur	Unpainted	Finish Finis Unpainted
Description	Detail Rev.	
6500 MXM 2000mm x 700mm Back Inner Panel		
Part Number Numéro Pièce	Rev.	1
6500MXK200712BIP	0	3


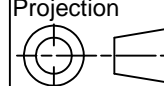
SEE BILL OF MATERIAL ON LAST PAGE

This drawing is confidential and must not be reproduced or used without the consent of EXM

Ce dessin est confidentiel et ne doit pas être reproduit ou utilisé sans le consentement de EXM

No.	Revisions	Date	By/Par



 Tél: (450) 979-4373 Fax: (450) 979-4626 www.exmweb.com		Flatness Aplatissement Max 3.0mm Projection 
Customer Client	Date	
Drawn By Dessiné Par	BoxCad: Annie	Date 07/08/2014
Material Matière	12 Ga Galvanized (2.5mm)	
Color Couleur	Unpainted	Finish Fini Unpainted
Description 6500 MXM 2000mm x 700mm Back Inner Panel		Detail Rev.
Part Number Numéro Pièce	6500MXK200712BIP	Rev. 3
		0

Qty	Part Number	Rev	Description
1	STK-A-49005	0	6500MXM - Bottom Inner Panel Support Kit (Right)
1	STK-A-49000	0	6500MXM - Bottom Inner Panel Support Kit (Left)
1	STK-A-49015	0	6500MXM - Top Inner Panel Support Kit (Right)
1	STK-A-49010	0	6500MXM - Top Inner Panel Support Kit (Left)
1	6500MXK200712BIP-P	0	6500 MXM 2000mm x 700mm Back Inner Panel Part
Parts List			