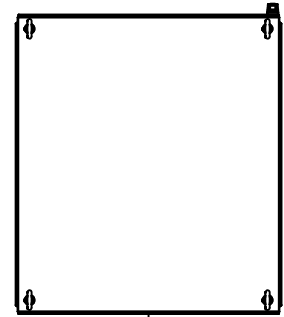


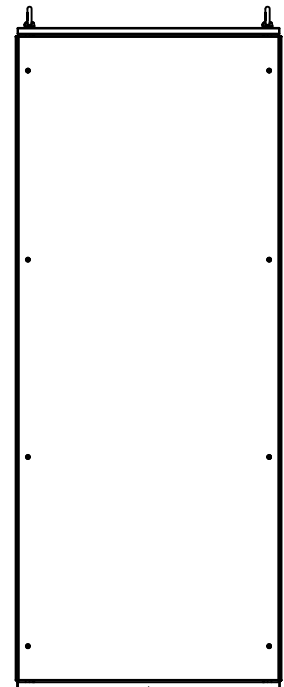
This drawing is confidential and must not be reproduced or used without the consent of EXM

Ce dessin est confidentiel et ne doit pas être reproduit ou utilisé sans le consentement de EXM

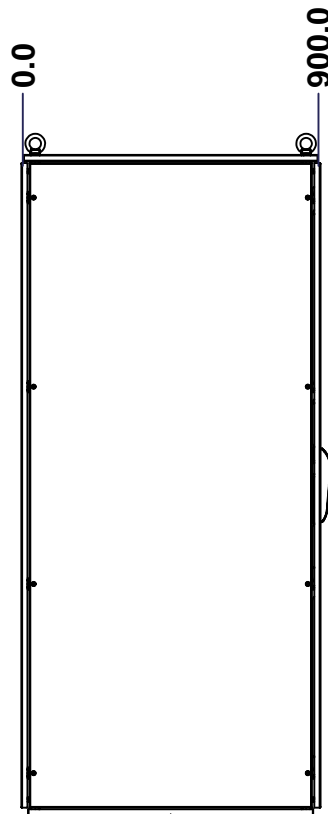
No.	Revisions	Date	By/Par



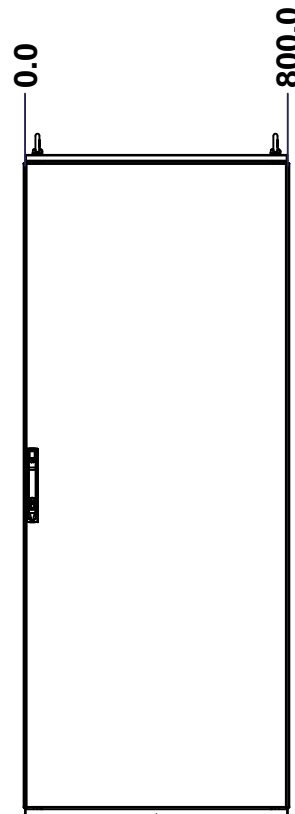
TOP



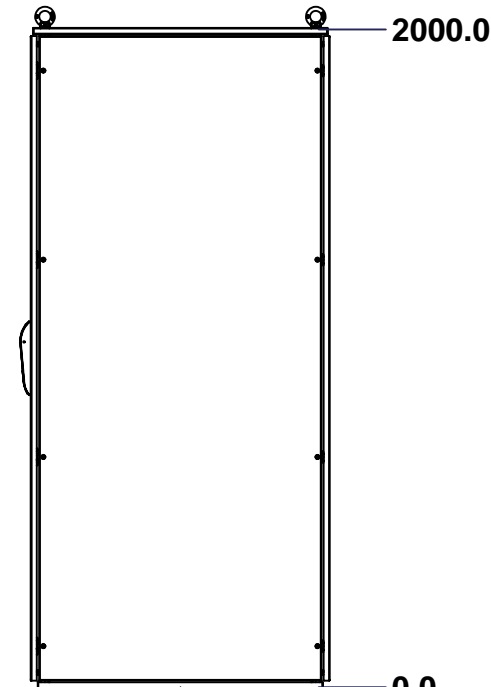
BACK



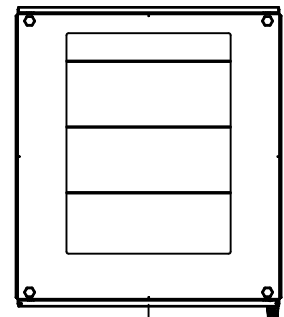
LEFT



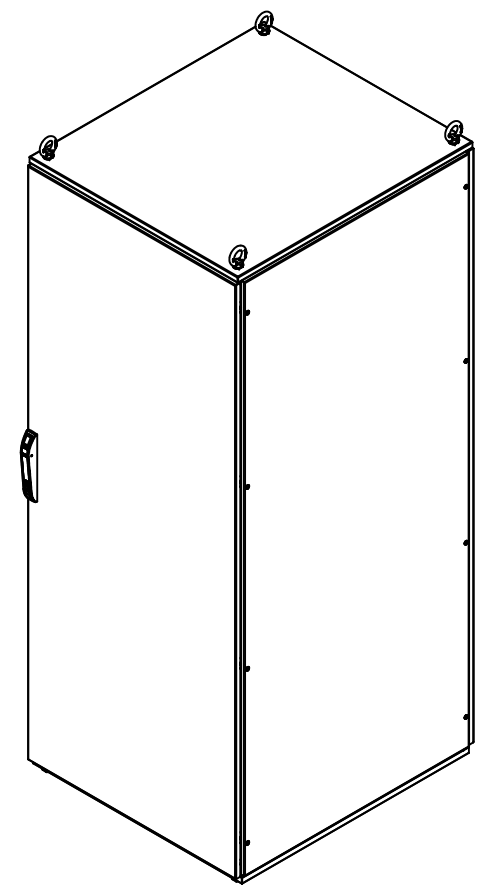
FRONT



RIGHT



BOTTOM



Isometric View



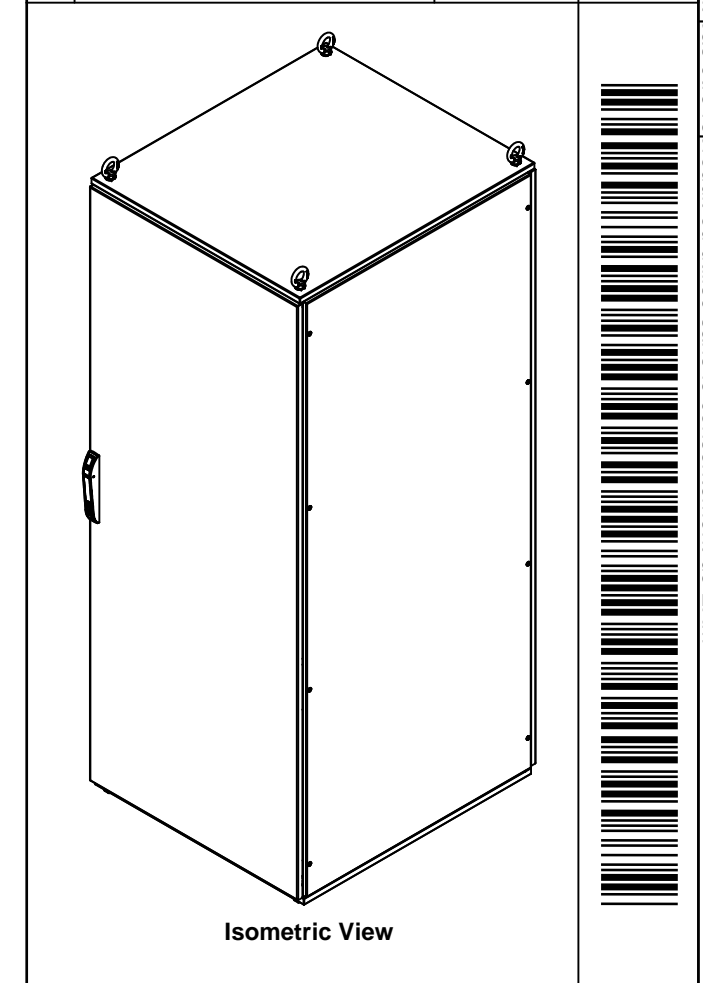
		Tél: (450) 979-4373 Fax: (450) 979-4626 www.exmweb.com		Flatness Aplatissement Max 3.0mm	
Customer Client		Date		Projection 	
Drawn By Dessiné Par		BoxCad: Annie		Date 07/08/2014	
Material Matière		See Part List			
Color Couleur		See Part List		Finish Fini See Part List	
Description 6500MX 2000mm x 800mm x 900mm Assembly				Detail Rev.	
Part Number Numéro Pièce				Rev.	
6500MXK200809				0 / 1 2	

SEE BILL OF MATERIAL ON LAST PAGE

This drawing is confidential and must not be reproduced or used without the consent of EXM

Ce dessin est confidentiel et ne doit pas être reproduit ou utilisé sans le consentement de EXM

No.	Revisions	Date	By/Par



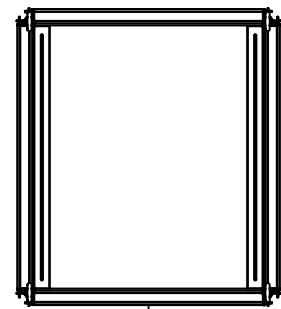
Tél: (450) 979-4373 Fax: (450) 979-4626 www.exmweb.com		Flatness Aplatissement
		Max 3.0mm
Customer Client		Date
Drawn By Dessiné Par BoxCad: Annie		Date 07/08/2014
Material Matière		See Part List
Color Couleur	See Part List	Finish Finis See Part List
Description 6500MX 2000mm x 800mm x 900mm Assembly		Detail Rev.
Part Number Numéro Pièce		Rev. 2
6500MXK200809		0

Qty	Part Number	Rev	Description
1	6500MXK200809BIP	0	6500 MXM 2000mm x 800mm Back Inner Panel
1	6500MXK200809R	0	6500 MXC 2000mm x 900mm Right
1	6500MXK200809L	0	6500 MXC 2000mm x 900mm Left
1	6500MXK200809F	0	6500 MXD 2000mm x 800mm Front
1	6500MXK200809B	0	6500 MXR 2000mm x 800mm Back
1	6500MXK200809BT	0	6500 MXB 800mm x 900mm Bottom
1	6500MXK200809T	0	6500 MXT 800mm x 900mm Top
1	6500MXK200809FR	0	6500 MX 2000mm x 800mm x 900mm Frame
Parts List			

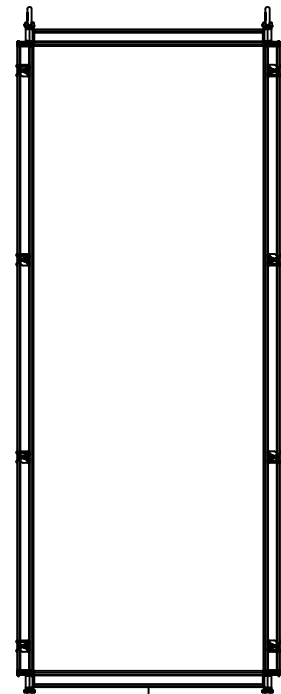
This drawing is confidential and must not be reproduced or used without the consent of EXM

Ce dessin est confidentiel et ne doit pas être reproduit ou utilisé sans le consentement de EXM

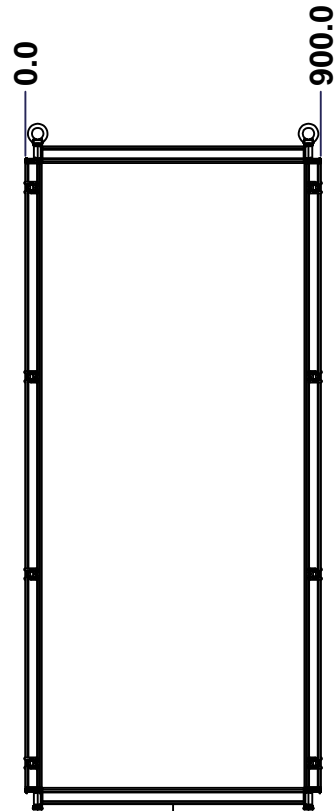
No.	Revisions	Date	By/Par



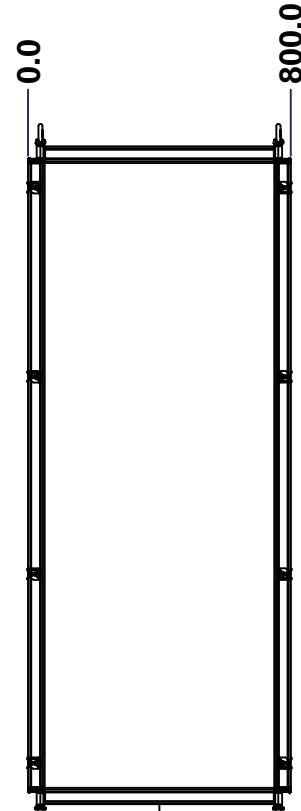
TOP



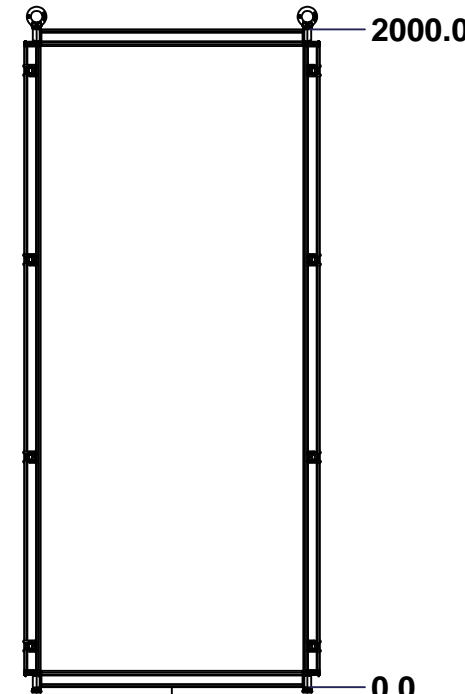
BACK



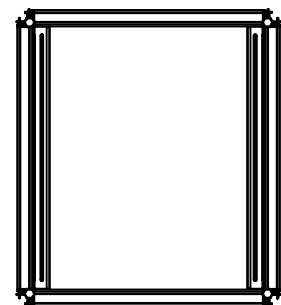
LEFT



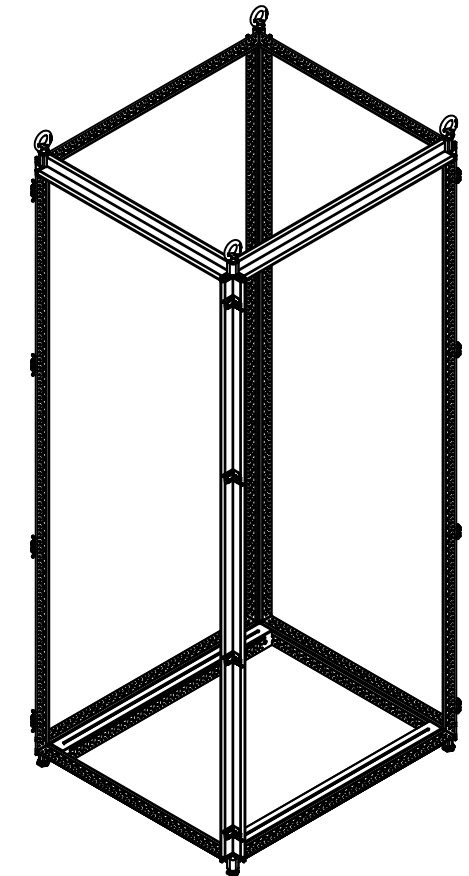
FRONT



RIGHT


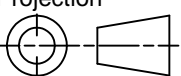


BOTTOM



Isometric View



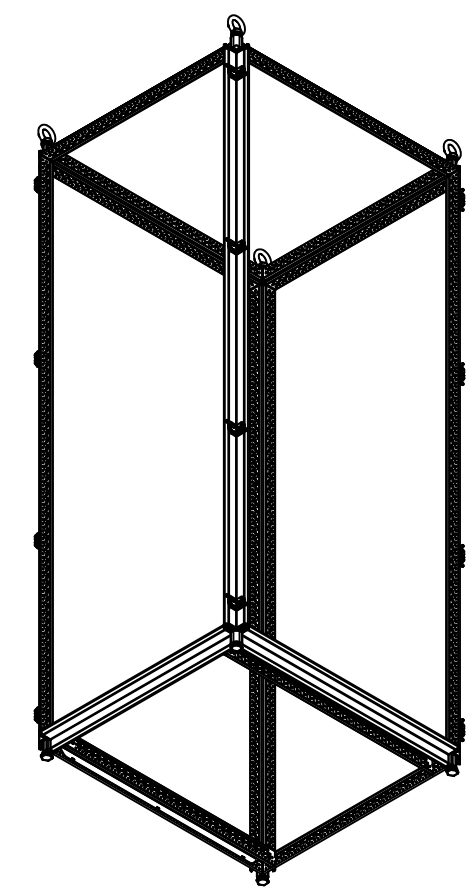
 Tél: (450) 979-4373 Fax: (450) 979-4626 www.exmweb.com		Flatness Aplatissement Max 3.0mm Projection 
Customer Client	Date	
Drawn By Dessiné Par	BoxCad: Annie	Date 07/08/2014
Material Matière	16 Ga Electro-Galvanized (1.4mm)	
Color Couleur	Iron Grey RAL7011	Finish Fini Rough Textured
Description	Detail Rev.	
6500 MX 2000mm x 800mm x 900mm Frame		
Part Number Numéro Pièce	Rev.	1 2
6500MXK200809FR	0	

SEE BILL OF MATERIAL ON LAST PAGE

This drawing is confidential and must not be reproduced or used without the consent of EXM

Ce dessin est confidentiel et ne doit pas être reproduit ou utilisé sans le consentement de EXM


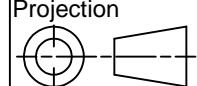
No.	Revisions	Date	By/Par



Isometric View



Qty	Part Number	Rev	Description
1	STK-P-03810R	0	Powder Paint (Iron Grey / Rough Textured)
1	STK-Q-49070	3	6500 MXM Inner Panel Slider 900mm
1	STK-Q-49070-L	3	6500 MXM Inner Panel Slider 900mm
4	STK-Q-49500	3	M12 Eye Bolt (0.34T)
4	STK-Q-61110	0	M12 Feet Leveler
8	STK-Q-00610	1	M18 x 30.5mm Bolt - Cover
4	STK-Q-47251-20	3	6500 MX 2000mm Vertical Frame Post Part
4	STK-Q-47250-08	3	6500 MX 800mm Horizontal Frame Post Part
4	STK-Q-47250-09	3	6500 MX 900mm Horizontal Frame Post Part
8	STK-Q-49445	2	6500 MX - Frame Corner Bracket Casting
16	STK-K-11001	2	3 Way Fixed Bracket Kit
Parts List			

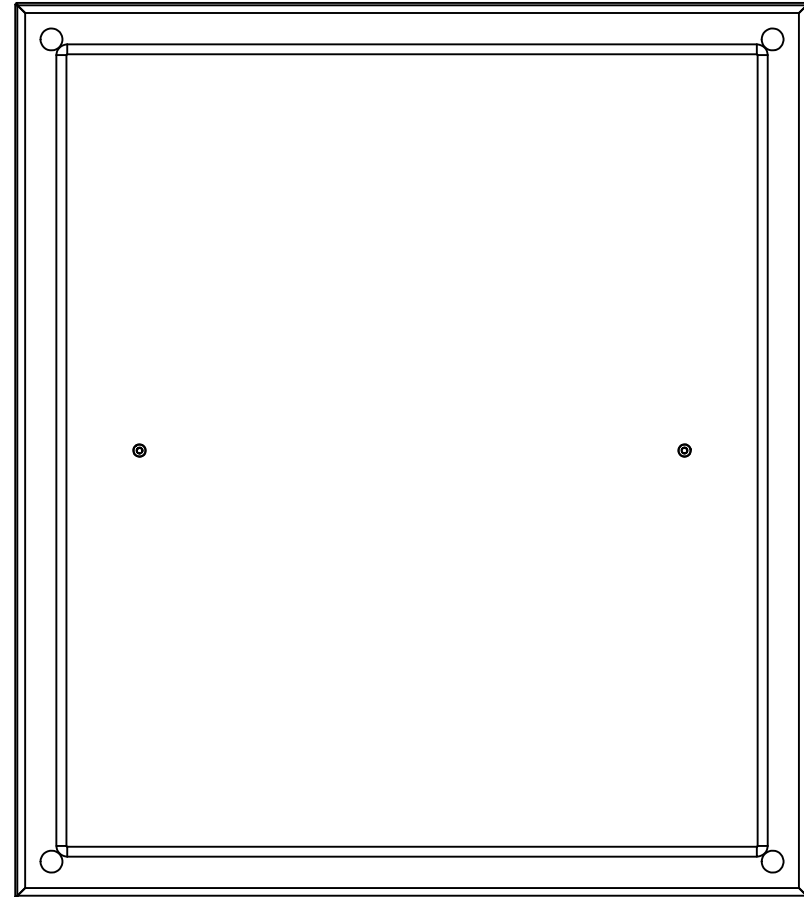
 Tél: (450) 979-4373 Fax: (450) 979-4626 www.exmweb.com		Flatness Aplatissement Max 3.0mm Projection 
Customer Client	Date	
Drawn By Dessiné Par	BoxCad: Annie	Date 07/08/2014
Material Matière	16 Ga Electro-Galvanized (1.4mm)	
Color Couleur	Iron Grey RAL7011	Finish Fini Rough Textured
Description	Detail Rev.	
6500 MX 2000mm x 800mm x 900mm Frame		
Part Number Numéro Pièce	Rev.	
6500MXK200809FR	0	2 / 2

This drawing is confidential and must not be reproduced or used without the consent of EXM

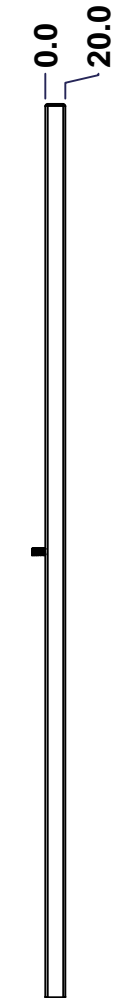
Ce dessin est confidentiel et ne doit pas être reproduit ou utilisé sans le consentement de EXM



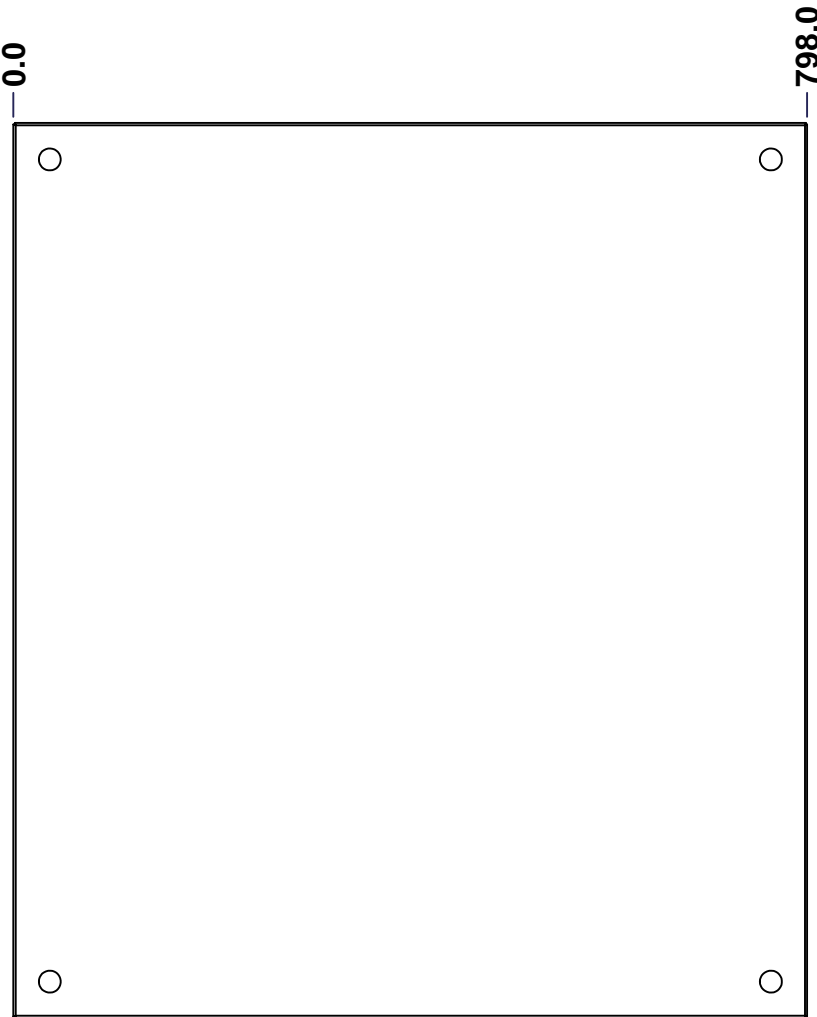
TOP



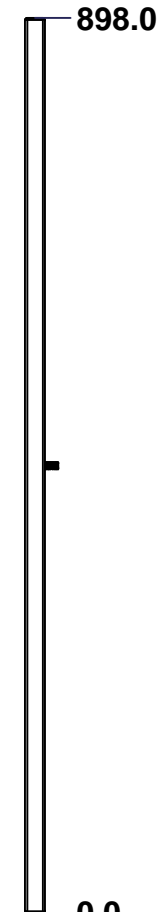
BACK



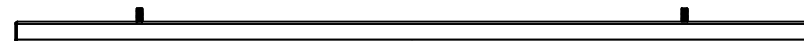
LEFT



FRONT

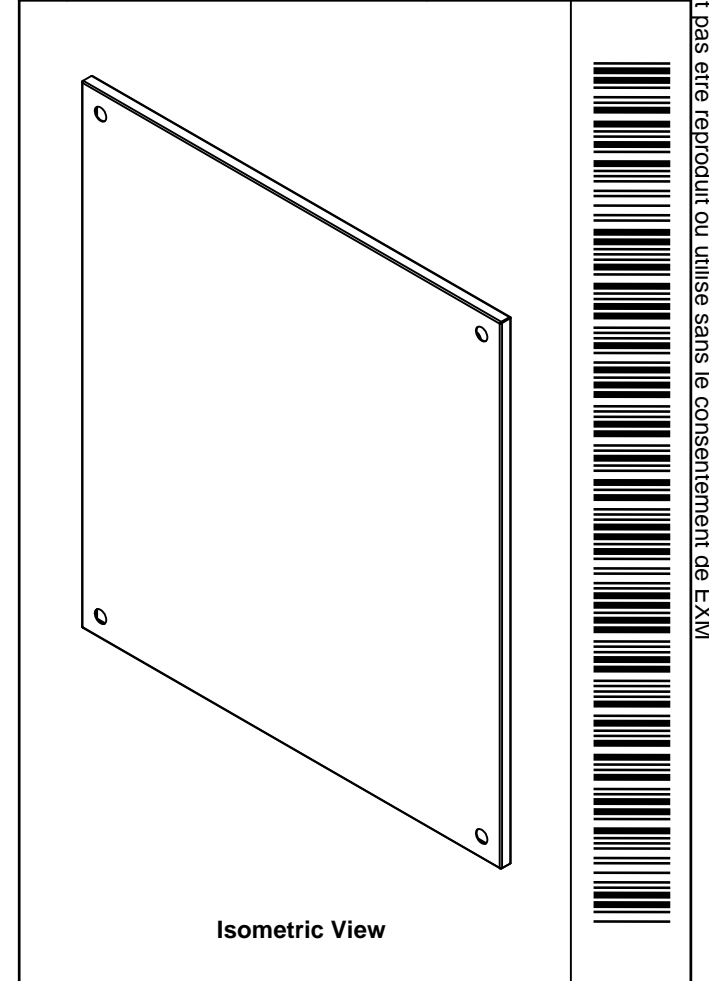


RIGHT


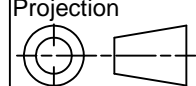


BOTTOM

No.	Revisions	Date	By/Par



Isometric View

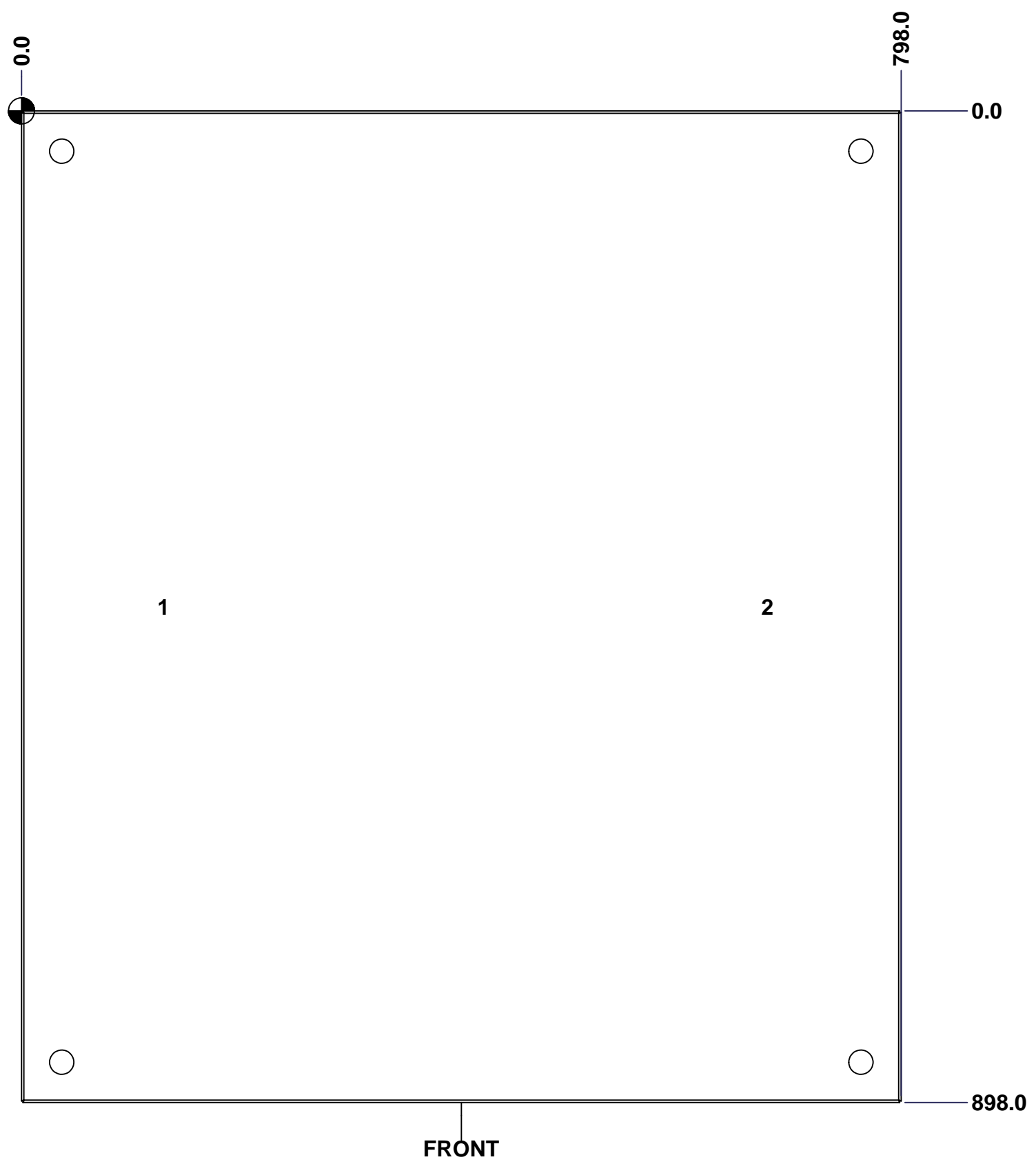
 Tél: (450) 979-4373 Fax: (450) 979-4626 www.exmweb.com		Flatness Aplatissement Max 3.0mm Projection 
Customer Client	Date	
Drawn By Dessiné Par	BoxCad: Annie	Date 07/08/2014
Material Matière	16 Ga H.R.P. & O. (1.4mm)	
Color Couleur	Iron Grey RAL7011	Finish Fini
Description		Detail Rev.
6500 MXT 800mm x 900mm Top		
Part Number Numéro Pièce	Rev.	
6500MXK200809T	0	1 / 3

SEE BILL OF MATERIAL ON LAST PAGE

This drawing is confidential and must not be reproduced or used without the consent of EXM

Ce dessin est confidentiel et ne doit pas être reproduit ou utilisé sans le consentement de EXM

STANDARD FEATURES ARE NOT LISTED IN THIS HOLE TABLE			
HOLE TABLE - FRONT VIEW (CUSTOM FEATURE ONLY)			
CUT-OUT	XDIM	YDIM	DESCRIPTION
1	125.0	449.0	GND STUD M6 x 16mm (Inside)
2	673.0	449.0	GND STUD M6 x 16mm (Inside)



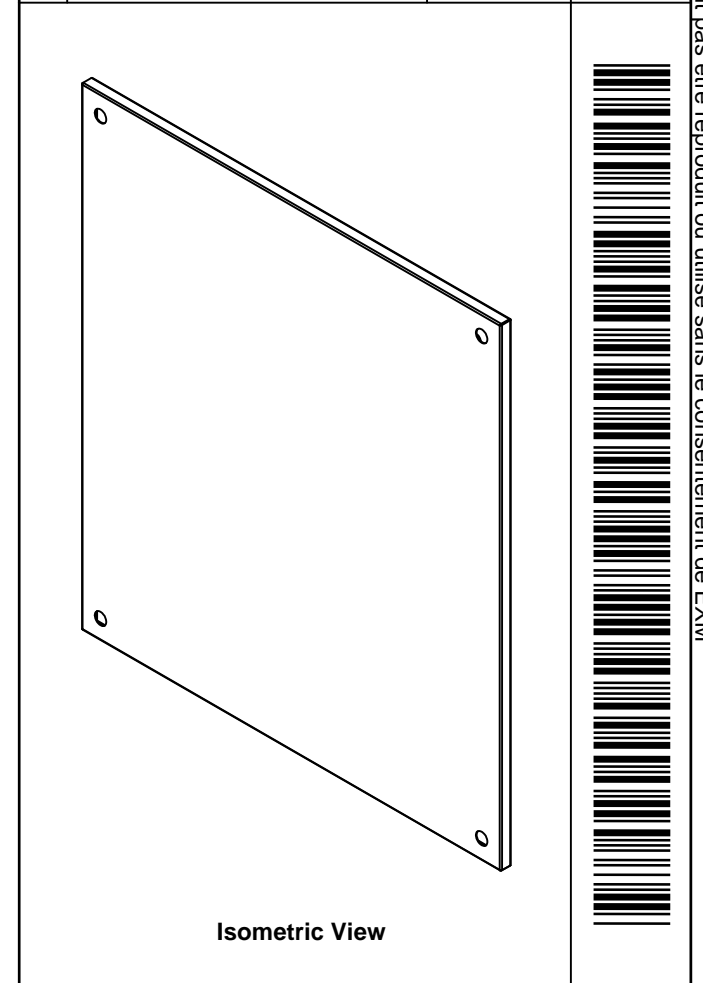
FRONT


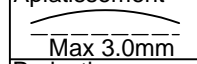
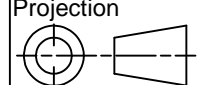
	Description	Status
	6500 MXT 800mm x 900mm Top	(NULL)
	Part Number Numéro Pièce	Rev.
	6500MXK200809T	0
		2
		3

This drawing is confidential and must not be reproduced or used without the consent of EXM

Ce dessin est confidentiel et ne doit pas être reproduit ou utilisé sans le consentement de EXM

No.	Revisions	Date	By/Par

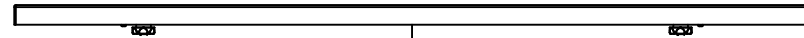


 Tél: (450) 979-4373 Fax: (450) 979-4626 www.exmweb.com		Flatness Aplatissement  Max 3.0mm Projection 
Customer Client	Date	
Drawn By Dessiné Par	BoxCad: Annie	Date 07/08/2014
Material Matière	16 Ga H.R.P. & O. (1.4mm)	
Color Couleur	Iron Grey RAL7011	Finish Fini Rough Textured
Description	Detail Rev.	
6500 MXT 800mm x 900mm Top		
Part Number Numéro Pièce	Rev.	3
6500MXK200809T	0	3

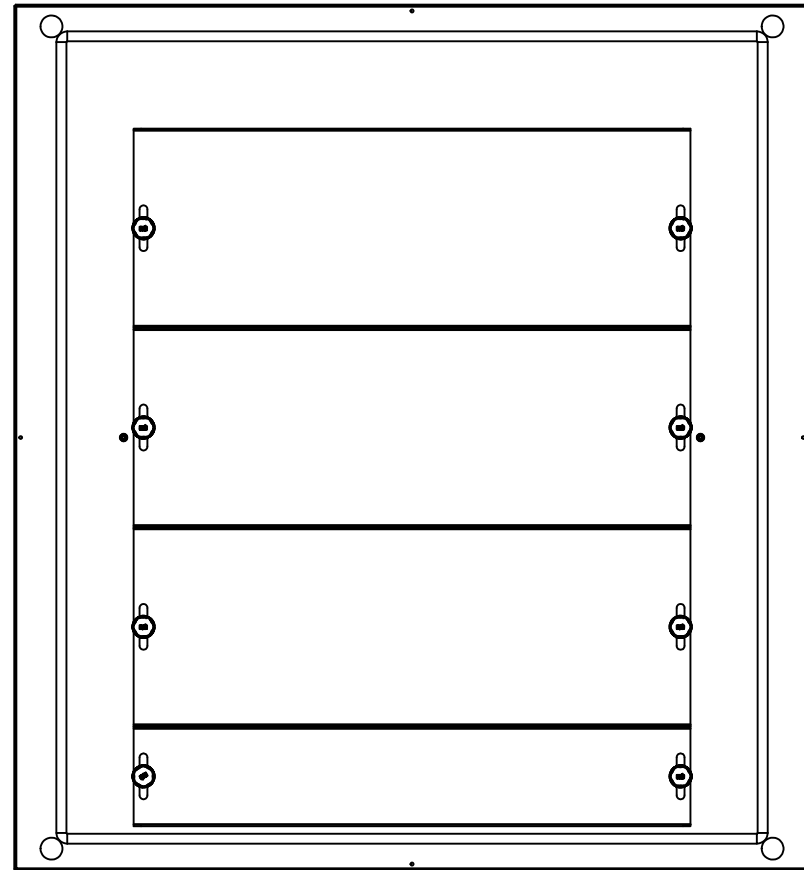
Qty	Part Number	Rev	Description
1	STK-P-03810R	0	Powder Paint (Iron Grey / Rough Textured)
2	STK-Q-16080	0.1.1	M6 x 16mm Ground Stud
1	6500MXK200809TG	0	6500 MXT 800mm x 900mm Top Gasket
1	6500MXK200809T-P	0	6500 MXT 800mm x 900mm Top Part
Parts List			

This drawing is confidential and must not be reproduced or used without the consent of EXM

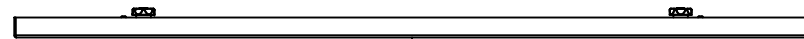
Ce dessin est confidentiel et ne doit pas être reproduit ou utilisé sans le consentement de EXM



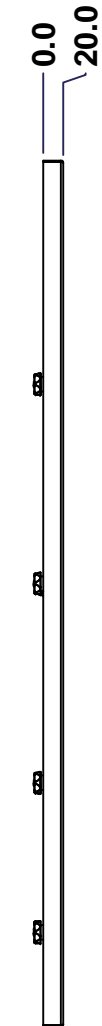
TOP



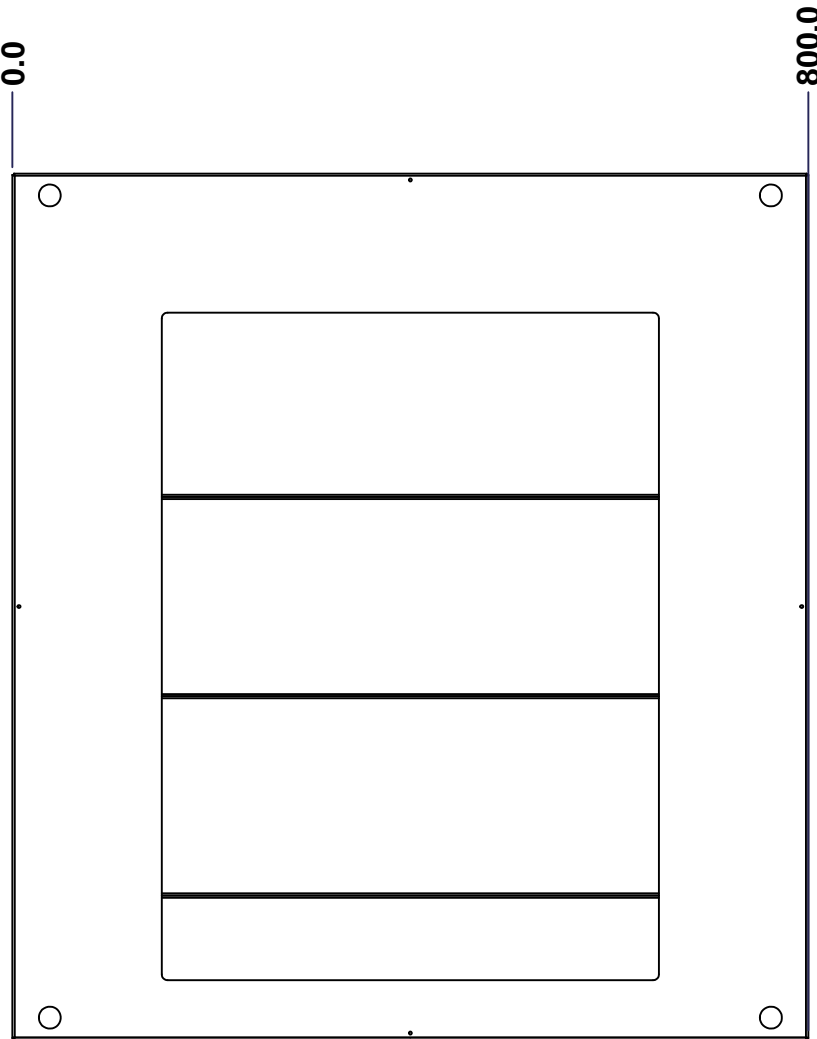
BACK



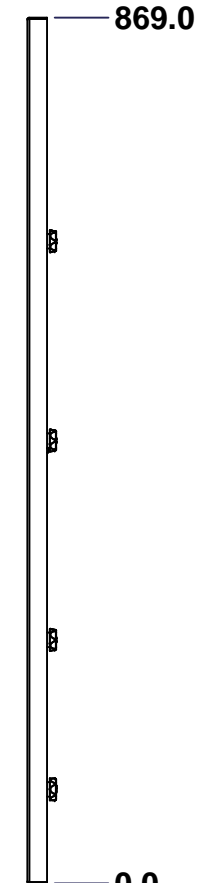
BOTTOM



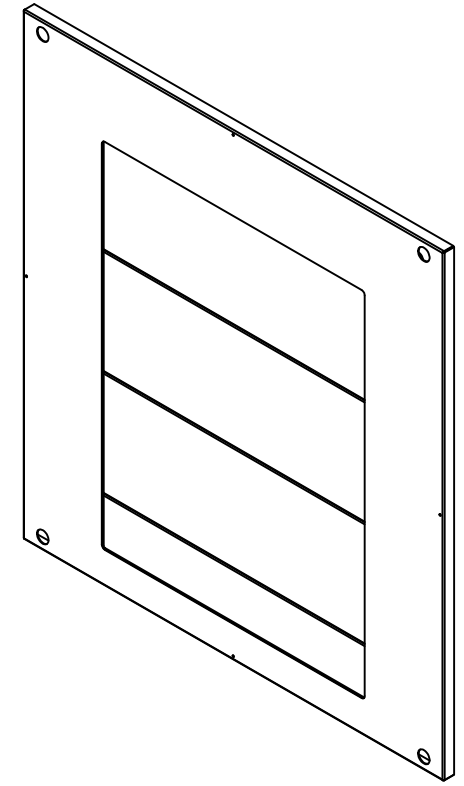
LEFT



FRONT




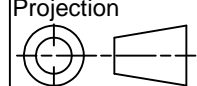
RIGHT



Isometric View



No.	Revisions	Date	By/Par

 Tél: (450) 979-4373 Fax: (450) 979-4626 www.exmweb.com		Flatness Aplatissement Max 3.0mm Projection 
Customer Client	Date	
Drawn By / Dessiné Par: BoxCad: Annie	Date: 07/08/2014	
Material / Matière: 16 Ga H.R.P. & O. (1.4mm)		
Color / Couleur: Iron Grey RAL7011	Finish / Fini: Rough Textured	
Description: 6500 MXB 800mm x 900mm Bottom		Detail Rev.
Part Number / Numéro Pièce: 6500MXK200809BT	Rev. 0	1 / 3

SEE BILL OF MATERIAL ON LAST PAGE

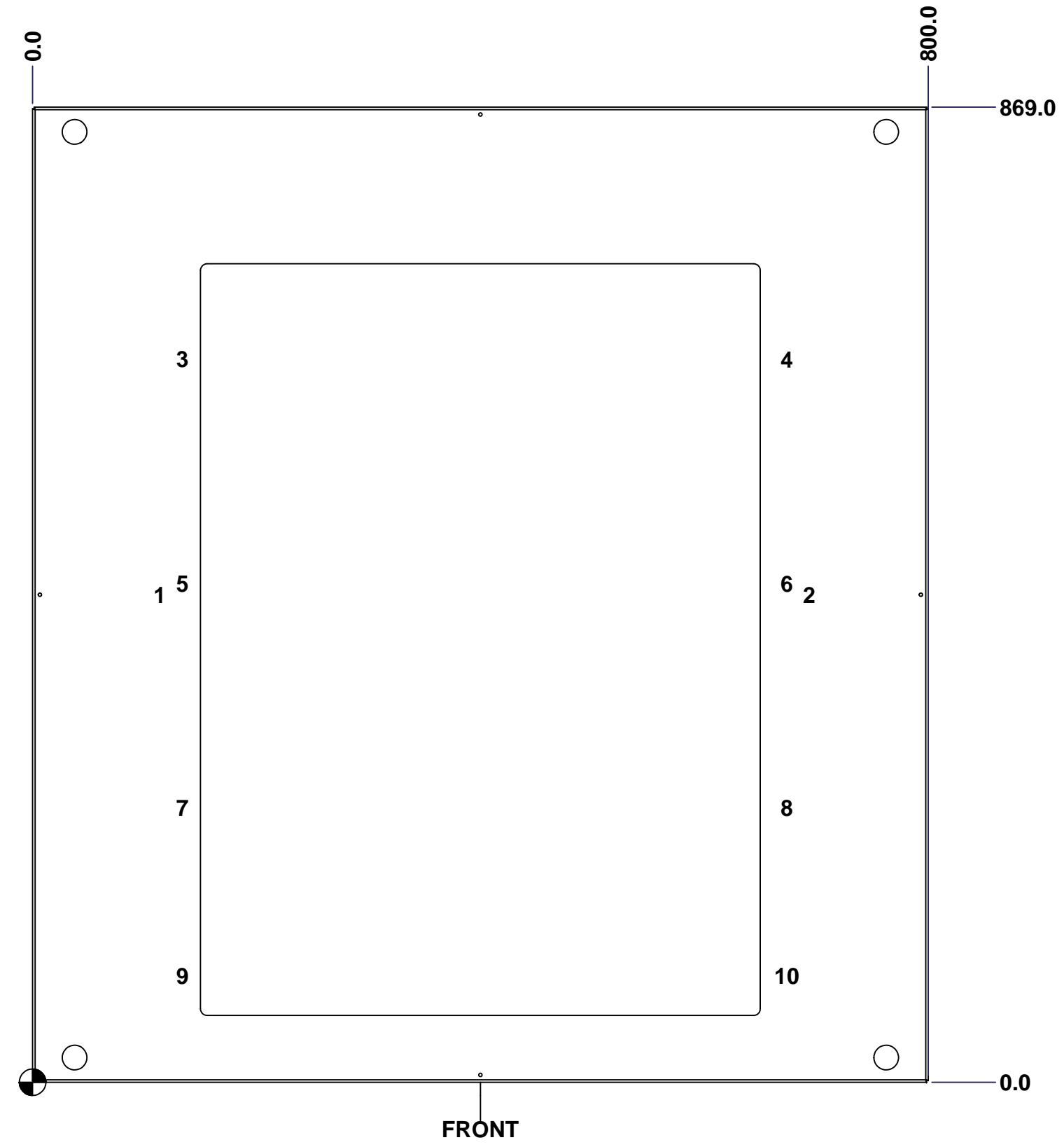
This drawing is confidential and must not be reproduced or used without the consent of EXM

Ce dessin est confidentiel et ne doit pas être reproduit ou utilisé sans le consentement de EXM

STANDARD FEATURES ARE NOT LISTED IN THIS HOLE TABLE

HOLE TABLE - FRONT VIEW (CUSTOM FEATURE ONLY)

CUT-OUT	XDIM	YDIM	DESCRIPTION
1	110.0	434.5	GND STUD M6 x 16mm (Inside)
2	690.0	434.5	GND STUD M6 x 16mm (Inside)
3	130.0	644.5	GP STUD M6 x 10mm (Inside)
4	670.0	644.5	GP STUD M6 x 10mm (Inside)
5	130.0	444.5	GP STUD M6 x 10mm (Inside)
6	670.0	444.5	GP STUD M6 x 10mm (Inside)
7	130.0	244.5	GP STUD M6 x 10mm (Inside)
8	670.0	244.5	GP STUD M6 x 10mm (Inside)
9	130.0	94.5	GP STUD M6 x 10mm (Inside)
10	670.0	94.5	GP STUD M6 x 10mm (Inside)



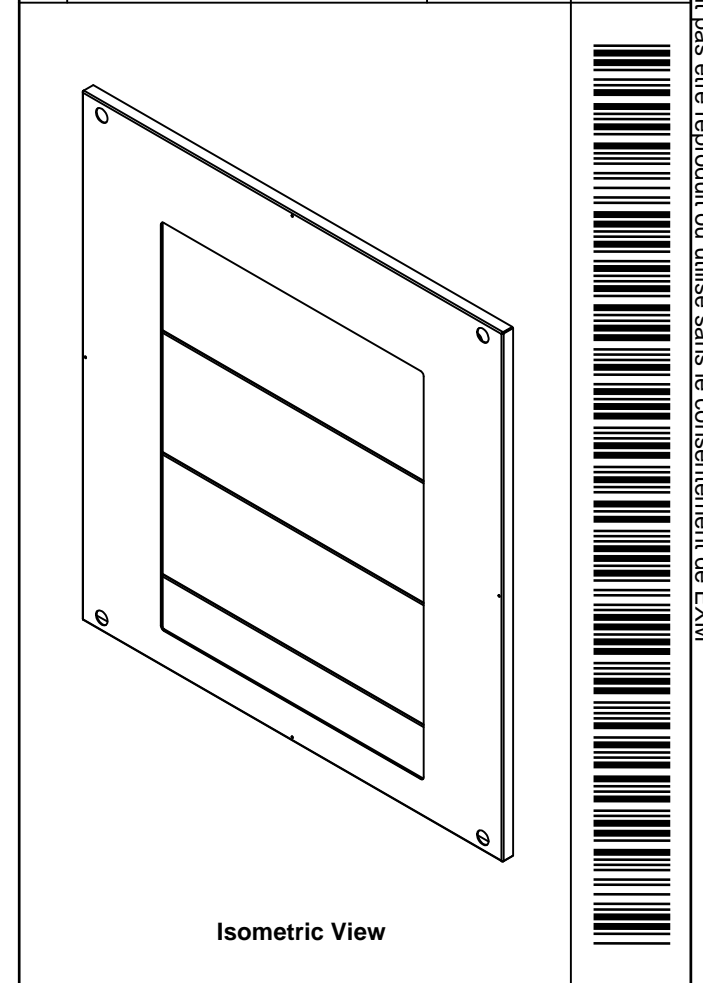
FRONT

	Description		Status
	6500 MXB 800mm x 900mm Bottom		(NULL)
Part Number Numéro Pièce		Rev.	
6500MXK200809BT		0	2 3

This drawing is confidential and must not be reproduced or used without the consent of EXM

Ce dessin est confidentiel et ne doit pas être reproduit ou utilisé sans le consentement de EXM

No.	Revisions	Date	By/Par

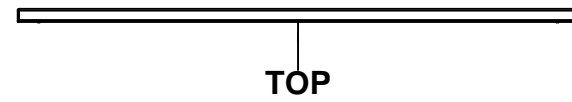


Tél: (450) 979-4373 Fax: (450) 979-4626 www.exmweb.com		Flatness Aplatissement Max 3.0mm	
		Projection 	
Customer Client		Date	
Drawn By Dessiné Par BoxCad: Annie		Date 07/08/2014	
Material Matière		16 Ga H.R.P. & O. (1.4mm)	
Color Couleur		Iron Grey RAL7011	Finish Fini Rough Textured
Description 6500 MXB 800mm x 900mm Bottom			Detail Rev.
Part Number Numéro Pièce		Rev. 0	3
6500MXK200809BT			3

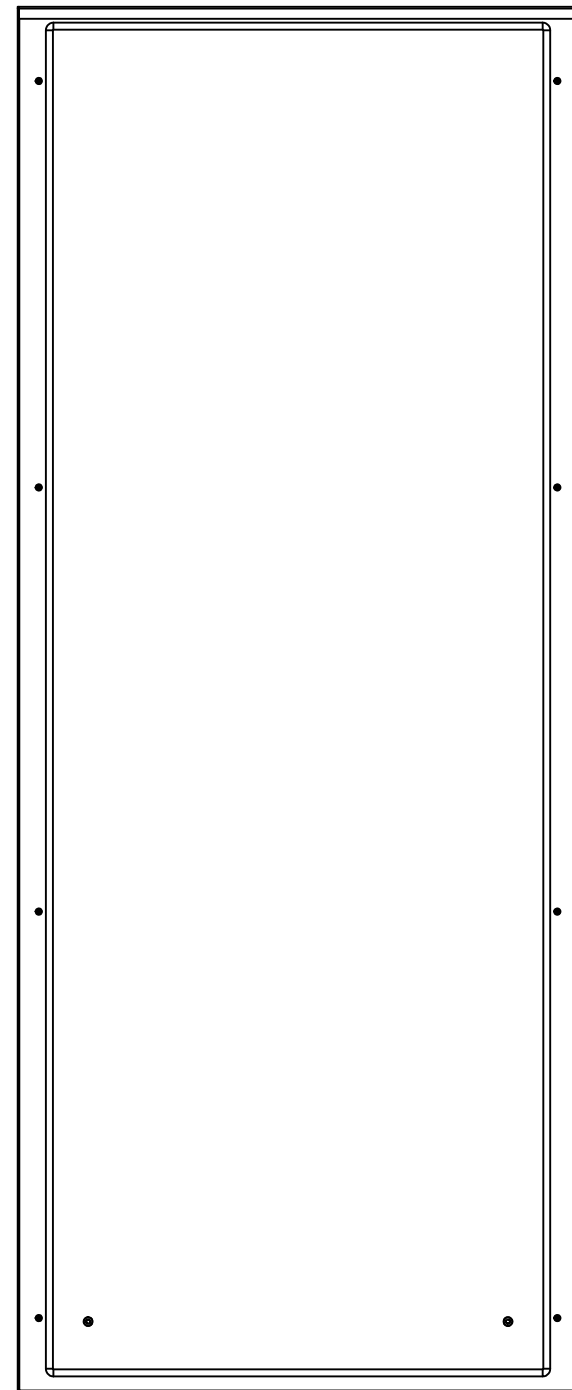
Qty	Part Number	Rev	Description
1	STK-P-03810R	0	Powder Paint (Iron Grey / Rough Textured)
8	STK-Q-06001	0	Mtrx - Gland Plate M6 Plastic Thumb Nut
2	STK-Q-16055	1	M6 x 18mm Stud (No Paint Cap Required)
1	6500MXK200809GP100-P	0	6500 MXB 800mm Gland Plate Part (100mm)
3	6500MXK200809GP200-P	0	6500 MXB 800mm Gland Plate Part (200mm)
8	STK-Q-16031	0	M6 x 10mm Stud (No Paint Cap Required)
1	6500MXK200809BTGPG	0	6500 MXB 800mm x 900mm Bottom Gland Plate Gasket
1	6500MXK200809BTG	0	6500 MXB 800mm x 900mm Bottom Gasket
1	6500MXK200809BT-P	0	6500 MXB 800mm x 900mm Bottom Part
Parts List			

This drawing is confidential and must not be reproduced or used without the consent of EXM

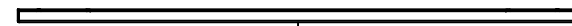
Ce dessin est confidentiel et ne doit pas être reproduit ou utilisé sans le consentement de EXM



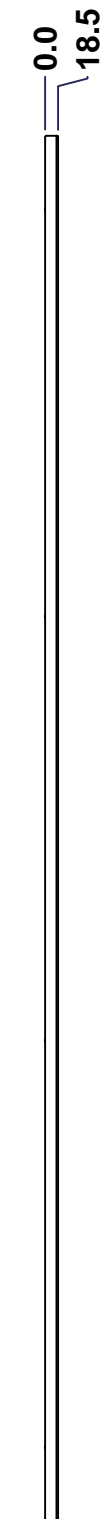
TOP



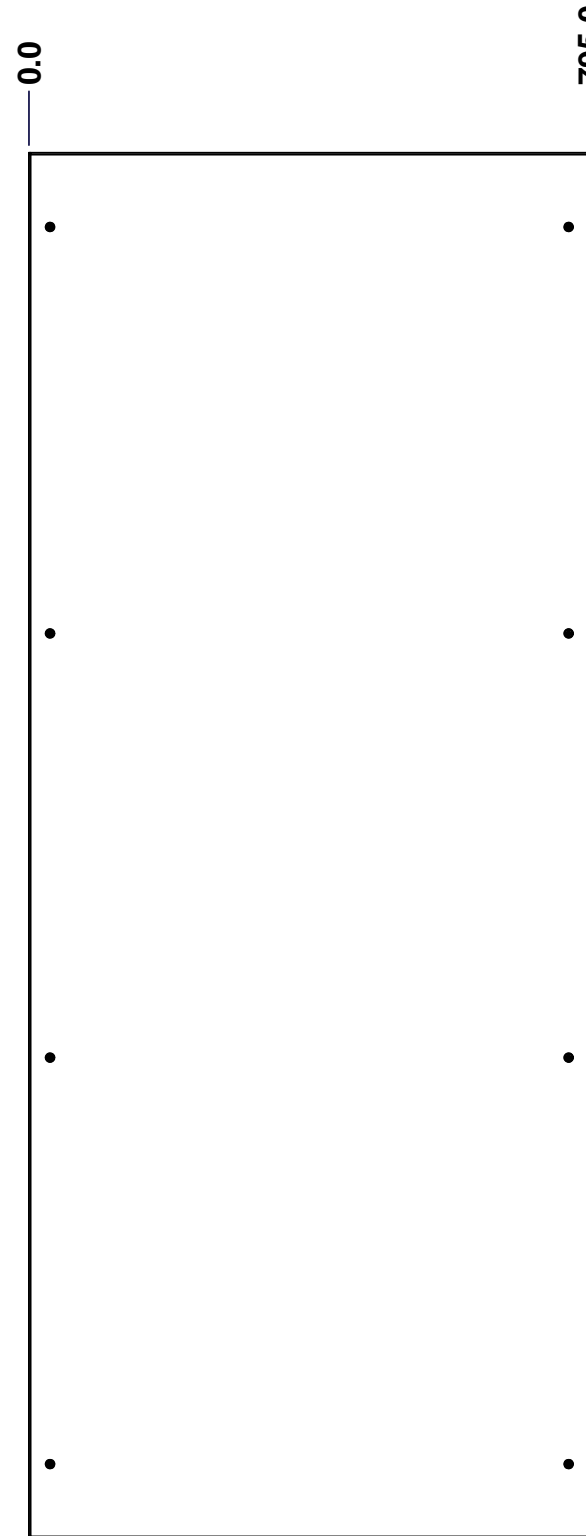
BACK



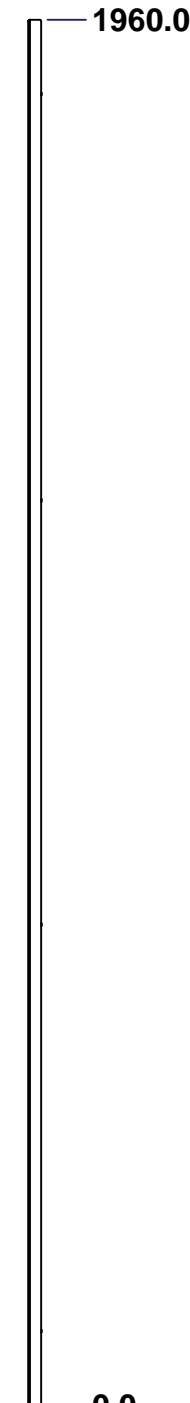
BOTTOM



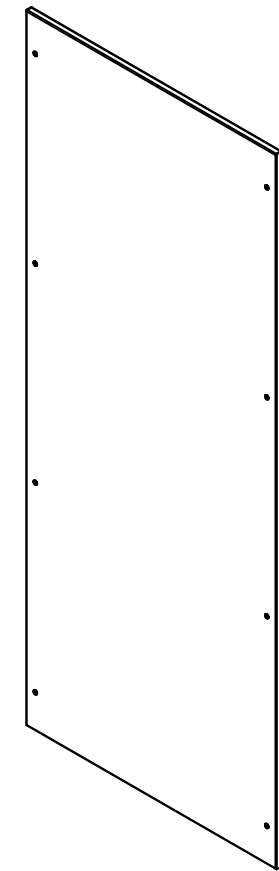
LEFT



FRONT




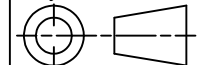
RIGHT



Isometric View



No.	Revisions	Date	By/Par

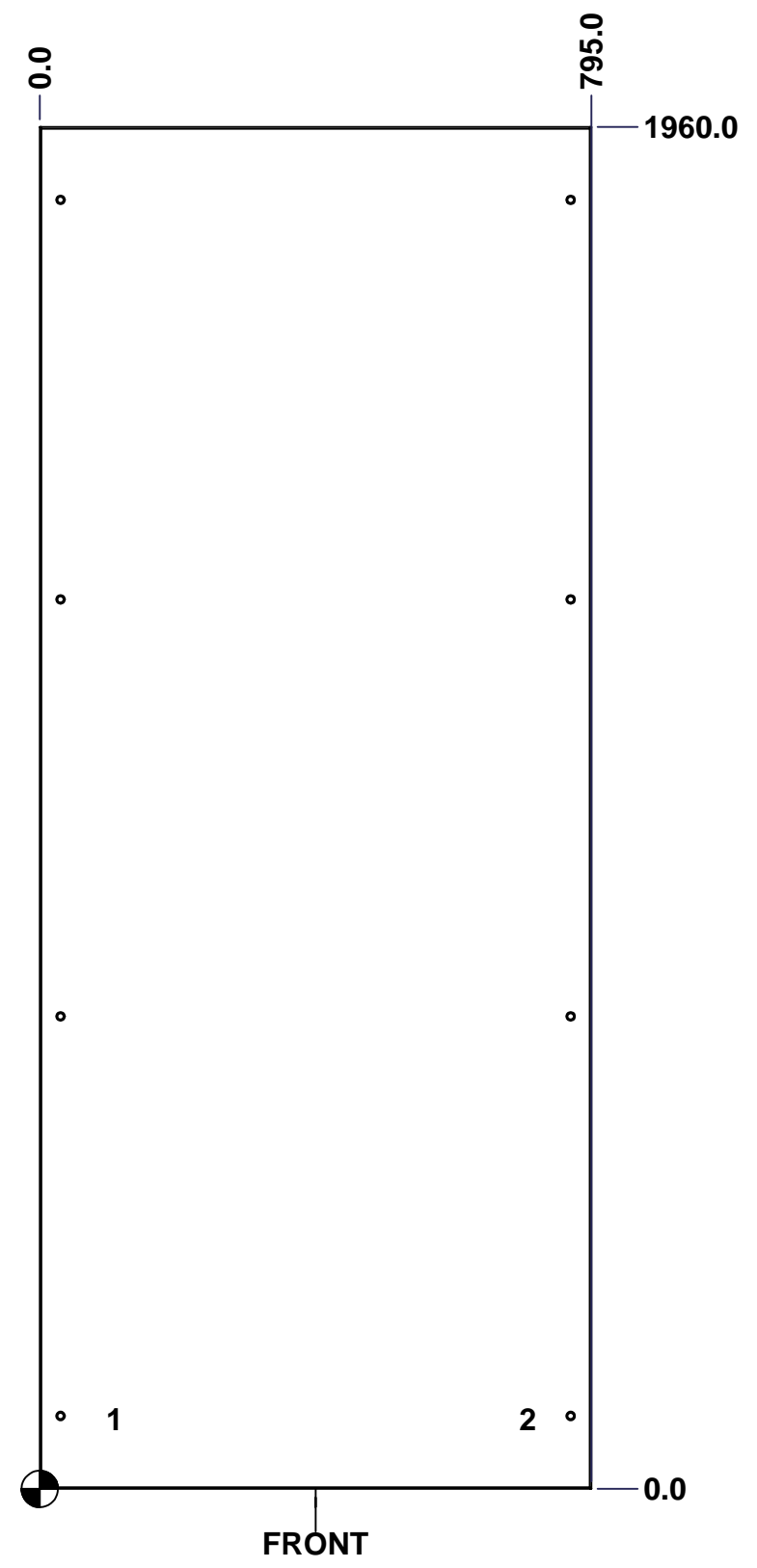
 Tél: (450) 979-4373 Fax: (450) 979-4626 www.exmweb.com		Flatness Aplatissement Max 3.0mm Projection 
Customer Client	Date	
Drawn By Dessiné Par	BoxCad: Annie	Date 07/08/2014
Material Matière	14 Ga H.R.P. & O. (1.7mm)	
Color Couleur	Light Grey RAL7035	Finish Fini
Description		Detail Rev.
6500 MXR 2000mm x 800mm Back		
Part Number Numéro Pièce	Rev.	1
6500MXK200809B	0	3

SEE BILL OF MATERIAL ON LAST PAGE

This drawing is confidential and must not be reproduced or used without the consent of EXM

Ce dessin est confidentiel et ne doit pas être reproduit ou utilisé sans le consentement de EXM

STANDARD FEATURES ARE NOT LISTED IN THIS HOLE TABLE			
HOLE TABLE - FRONT VIEW (CUSTOM FEATURE ONLY)			
CUT-OUT	XDIM	YDIM	DESCRIPTION
1	100.0	100.0	GND STUD M6 x 16mm (Inside)
2	695.0	100.0	GND STUD M6 x 16mm (Inside)

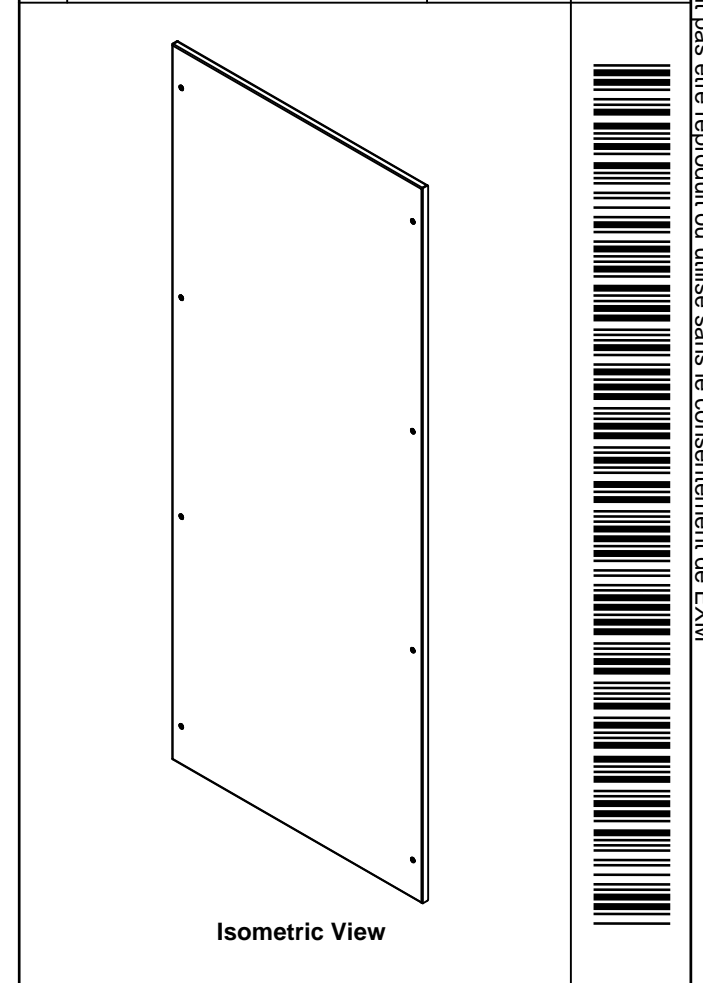



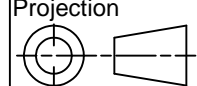
	Description	Status
	6500 MXR 2000mm x 800mm Back	(NULL)
	Part Number Numéro Pièce	Rev.
	6500MXK200809B	0
		2
		3

This drawing is confidential and must not be reproduced or used without the consent of EXM

Ce dessin est confidentiel et ne doit pas être reproduit ou utilisé sans le consentement de EXM

No.	Revisions	Date	By/Par

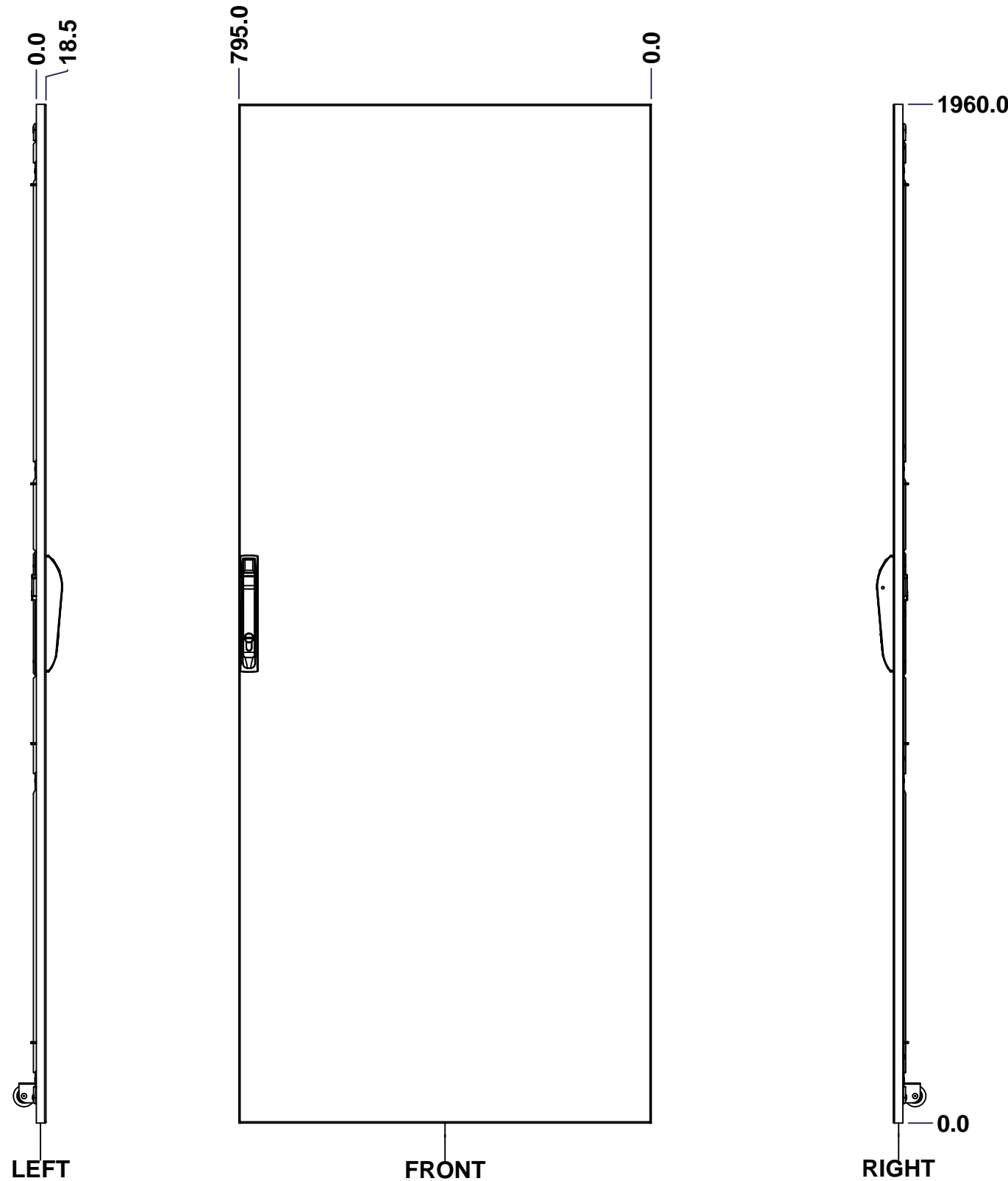
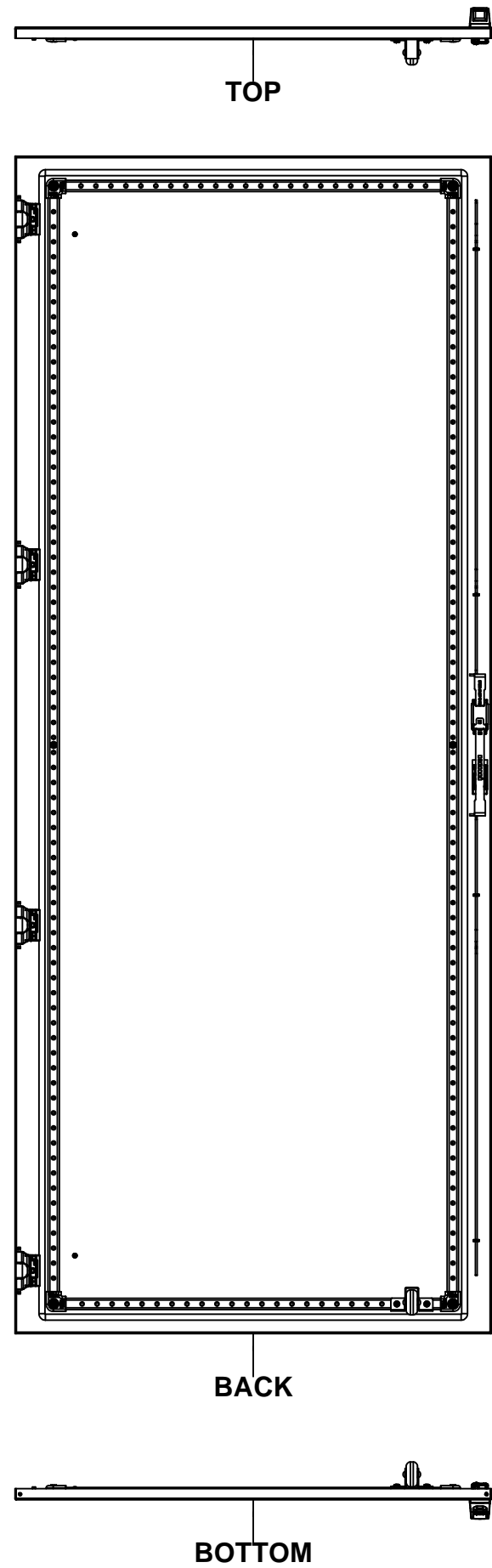


 Tél: (450) 979-4373 Fax: (450) 979-4626 www.exmweb.com		Flatness Aplatissement Max 3.0mm Projection 	
Customer Client		Date	
Drawn By / Dessiné Par: BoxCad: Annie		Date: 07/08/2014	
Material / Matière: 14 Ga H.R.P. & O. (1.7mm)			
Color / Couleur: Light Grey RAL7035		Finish / Fini: Rough Textured	
Description: 6500 MXR 2000mm x 800mm Back			Detail Rev.
Part Number / Numéro Pièce: 6500MXK200809B			Rev. 3

Qty	Part Number	Rev	Description
1	STK-P-03820R	0	Powder Paint (Light Grey / Rough Textured)
8	STK-Q-03072	2	M6 x 17mm Phillips Flat Head Screw
2	STK-Q-16080	0.1.1	M6 x 16mm Ground Stud
1	6500MXK200809BG	0	6500 MXR 2000mm x 800mm Back Gasket
1	6500MXK200809B-P	0	6500 MXR 2000mm x 800mm Back Part
Parts List			

This drawing is confidential and must not be reproduced or used without the consent of EXM

Ce dessin est confidentiel et ne doit pas être reproduit ou utilisé sans le consentement de EXM



No.	Revisions	Date	By/Par

Isometric View

<p>Tél: (450) 979-4373 Fax: (450) 979-4626 www.exmweb.com</p>		Flatness Aplatissement	
		Max 3.0mm	
Customer Client		Projection	
Date			
Drawn By Dessiné Par	BoxCad: Annie	Date	07/08/2014
Material Matière	14 Ga H.R.P. & O. (1.7mm)		
Color Couleur	Light Grey RAL7035	Finish Fin	Rough Textured
Description		Detail Rev.	
6500 MXD 2000mm x 800mm Front			
Part Number Numéro Pièce	Rev.	1	3
6500MXK200809F		0	

SEE BILL OF MATERIAL ON LAST PAGE

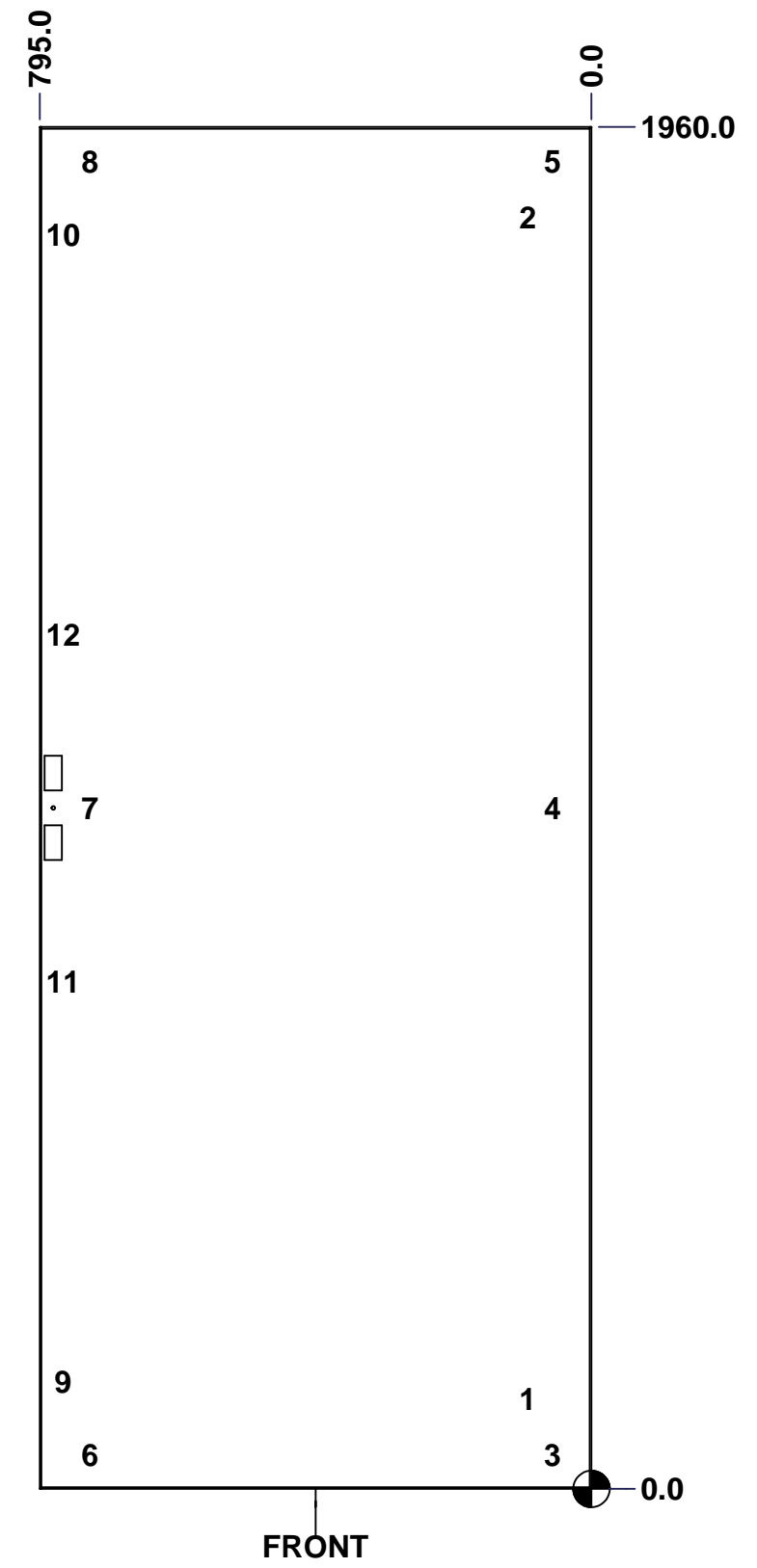
This drawing is confidential and must not be reproduced or used without the consent of EXM

Ce dessin est confidentiel et ne doit pas être reproduit ou utilisé sans le consentement de EXM

STANDARD FEATURES ARE NOT LISTED IN THIS HOLE TABLE

HOLE TABLE - FRONT VIEW (CUSTOM FEATURE ONLY)

CUT-OUT	XDIM	YDIM	DESCRIPTION
1	100.0	130.0	GND STUD M6 x 16mm (Inside)
2	100.0	1830.0	GND STUD M6 x 16mm (Inside)
3	64.5	49.5	STIFF. STUD M6 x 18mm (Inside)
4	64.5	980.0	STIFF. STUD M6 x 18mm (Inside)
5	64.5	1910.5	STIFF. STUD M6 x 18mm (Inside)
6	730.5	49.5	STIFF. STUD M6 x 18mm (Inside)
7	730.5	980.0	STIFF. STUD M6 x 18mm (Inside)
8	730.5	1910.5	STIFF. STUD M6 x 18mm (Inside)
9	769.5	155.0	CLOSING BAR GUIDE (Inside)
10	769.5	1805.0	CLOSING BAR GUIDE (Inside)
11	769.5	730.0	CLOSING BAR GUIDE (Inside)
12	769.5	1230.0	CLOSING BAR GUIDE (Inside)

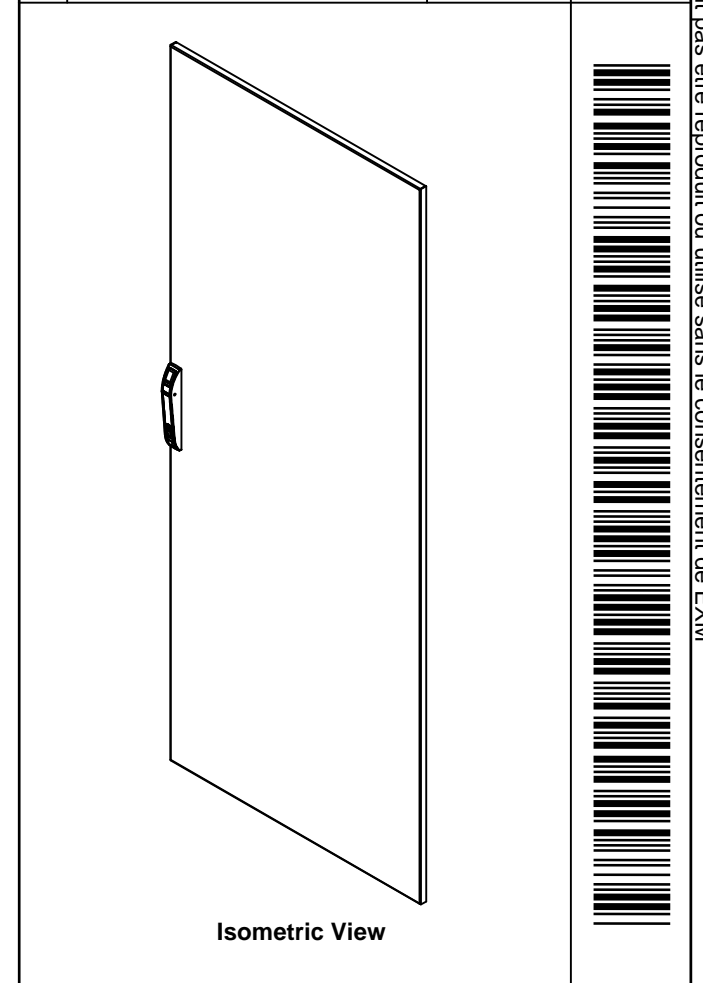


	Description	Status
	6500 MXD 2000mm x 800mm Front	(NULL)
	Part Number Numéro Pièce	Rev.
	6500MXK200809F	0
		2
		3

This drawing is confidential and must not be reproduced or used without the consent of EXM


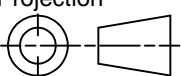
Ce dessin est confidentiel et ne doit pas être reproduit ou utilisé sans le consentement de EXM

No.	Revisions	Date	By/Par



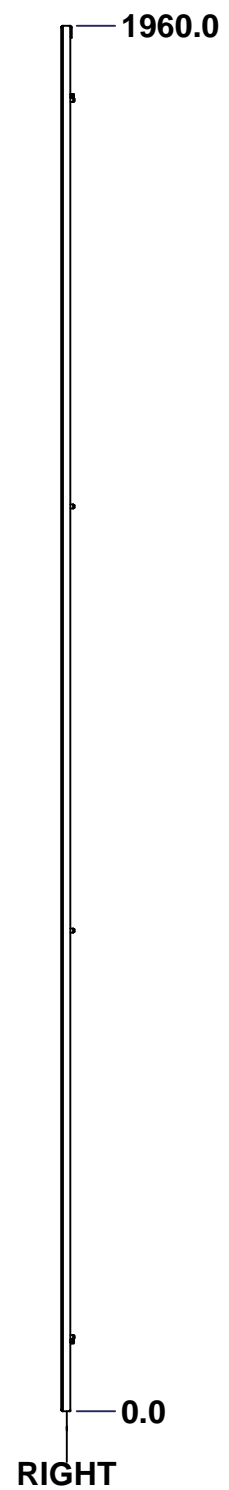
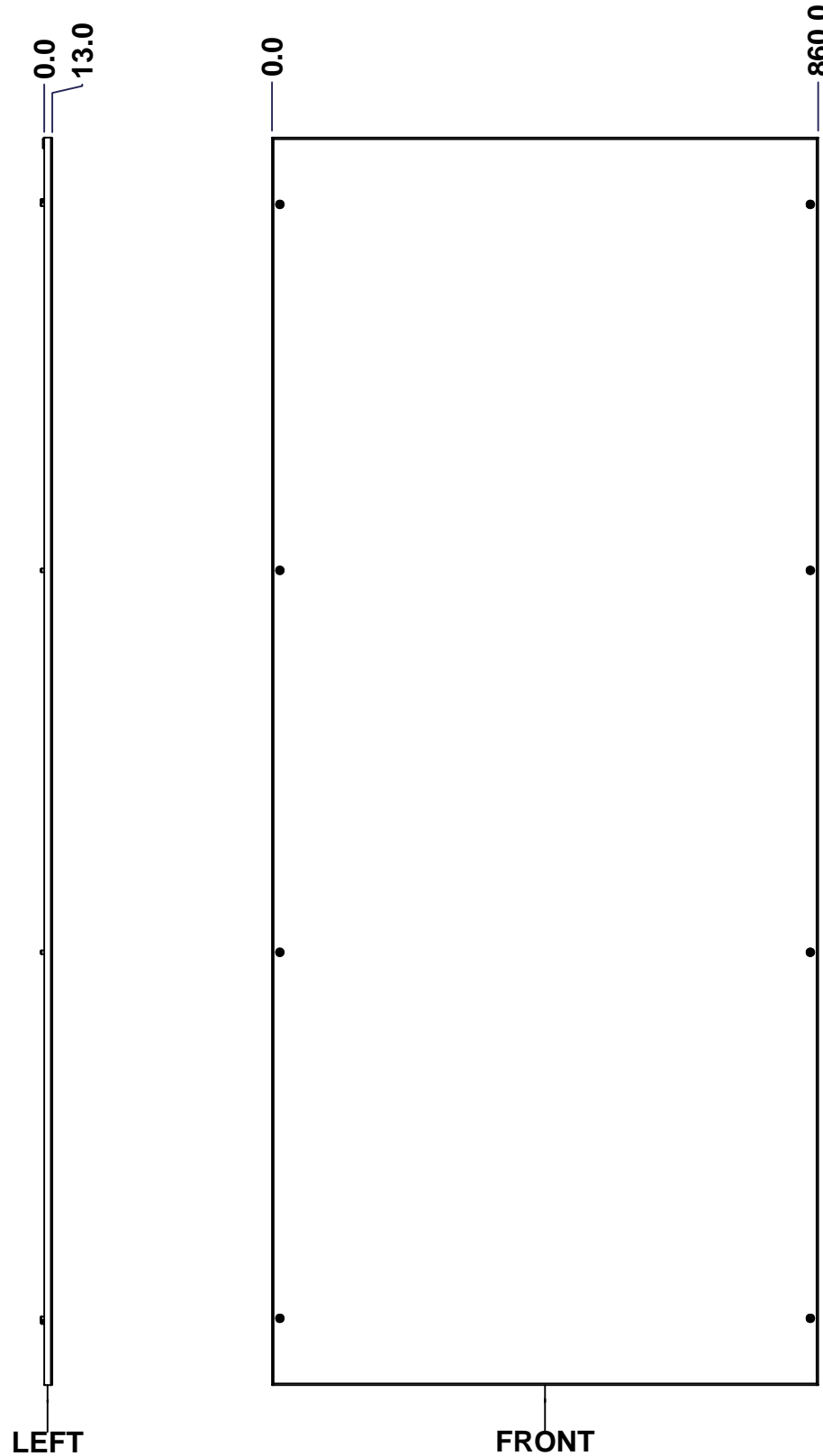
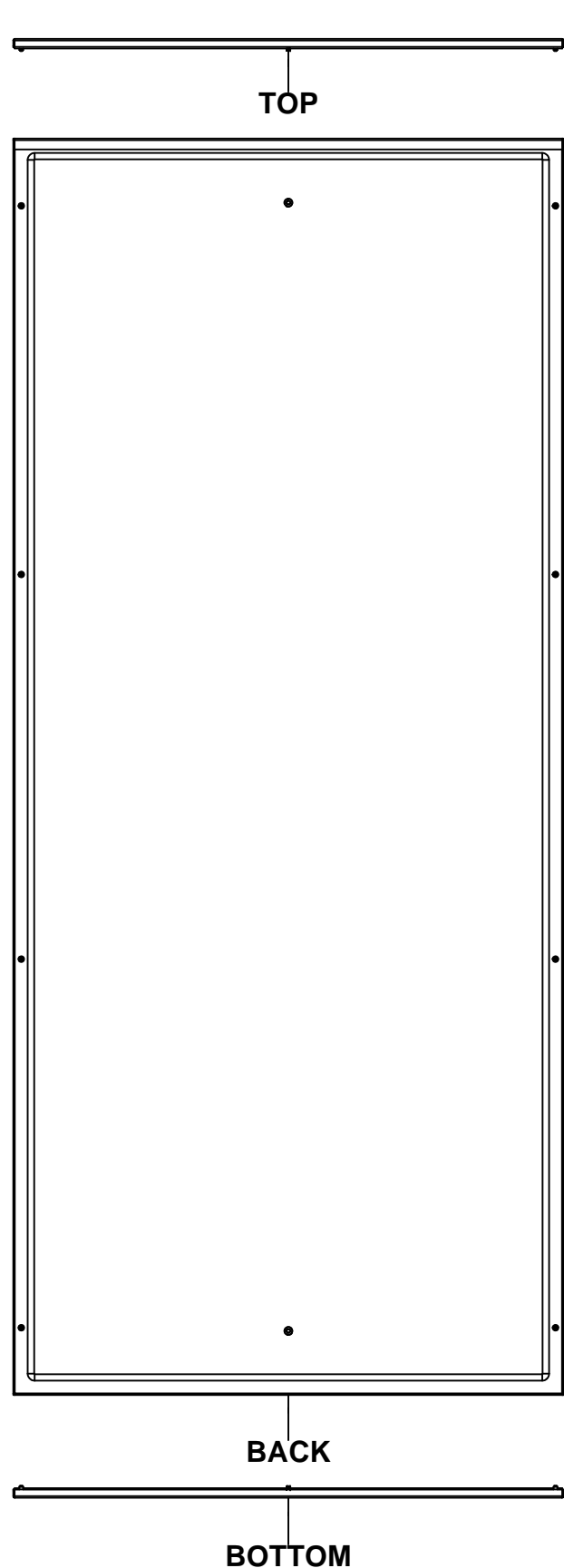
Qty	Part Number	Rev	Description
1	STK-P-03820R	0	Powder Paint (Light Grey / Rough Textured)
1	6500MXSRK	1	6500 MXRSK Door Support Roller
4	STK-Q-78022	0	Mtrx Closing Bar Slider
1	STK-Q-45746-20	1	6500 MXD - Lock Door Closing Bar
4	STK-Q-33105	4	5412 ESBU Buttable Hinge (Cover Part)
1	STK-Q-45729-20	2	6500 MXD - Lock Door Top Closing Bar
1	886PHD-S	4	Euroform Pull Handle Kit
8	STK-Q-16055	1	M6 x 18mm Stud (No Paint Cap Required)
1	6500MXK200809DS1	5	6500 MX 2000mm x 800mm Door Stiffener
1	6500MXK200809FG	0	6500 MXD 2000mm x 800mm Front Gasket
1	6500MXK200809F-P	0	6500 MXD 2000mm x 800mm Front Part
4	STK-K-06811	1	6500 MX - Hinge Assy

Parts List

 Tél: (450) 979-4373 Fax: (450) 979-4626 www.exmweb.com		Flatness Aplatissement Max 3.0mm Projection 
Customer Client	Date	Date
Drawn By Dessiné Par	BoxCad: Annie	07/08/2014
Material Matière	14 Ga H.R.P. & O. (1.7mm)	
Color Couleur	Light Grey RAL7035	Finish Fin Rough Textured
Description	6500 MXD 2000mm x 800mm Front	
Part Number Numéro Pièce	Rev.	3
6500MXK200809F	0	3

This drawing is confidential and must not be reproduced or used without the consent of EXM

Ce dessin est confidentiel et ne doit pas être reproduit ou utilisé sans le consentement de EXM



No.	Revisions	Date	By/Par

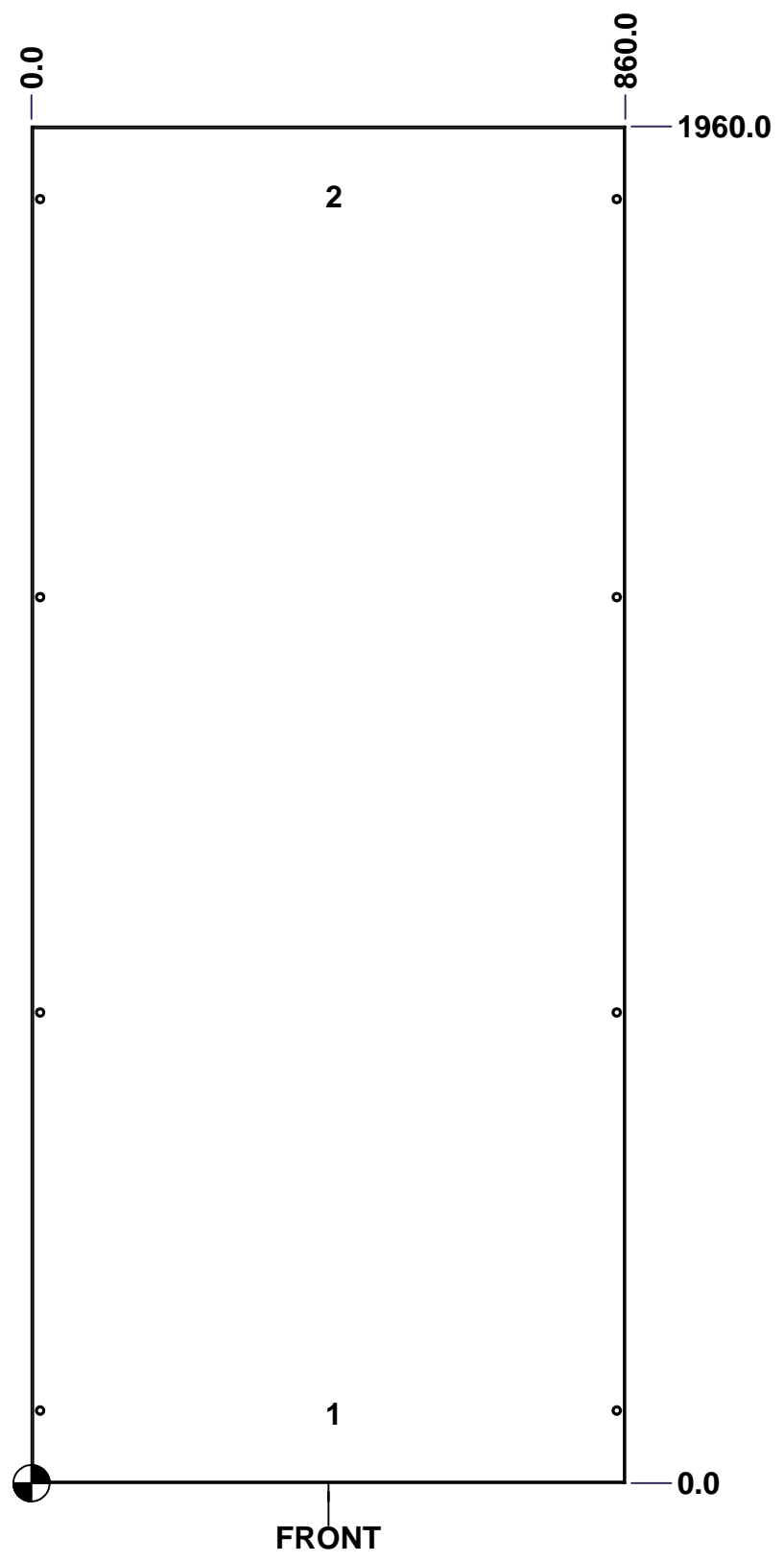
Isometric View

<p>Tél: (450) 979-4373 Fax: (450) 979-4626 www.exmweb.com</p>		Flatness Aplatissement Max 3.0mm			
		Projection 			
Customer Client		Date			
Drawn By / Dessiné Par: BoxCad: Annie		Date: 07/08/2014			
Material / Matière: 14 Ga H.R.P. & O. (1.7mm)		Color / Couleur: Light Grey RAL7035			
Description: 6500 MXC 2000mm x 900mm Left		Finish / Fini: Rough Textured			
Part Number / Numéro Pièce: 6500MXK200809L		Detail Rev.:			
SEE BILL OF MATERIAL ON LAST PAGE		Rev. 0	<table border="1" style="width: 100%;"> <tr> <td style="width: 50%;">1</td> <td style="width: 50%;">3</td> </tr> </table>	1	3
1	3				

This drawing is confidential and must not be reproduced or used without the consent of EXM

Ce dessin est confidentiel et ne doit pas être reproduit ou utilisé sans le consentement de EXM

STANDARD FEATURES ARE NOT LISTED IN THIS HOLE TABLE			
HOLE TABLE - FRONT VIEW (CUSTOM FEATURE ONLY)			
CUT-OUT	XDIM	YDIM	DESCRIPTION
1	430.0	100.0	GND STUD M6 x 16mm (Inside)
2	430.0	1860.0	GND STUD M6 x 16mm (Inside)

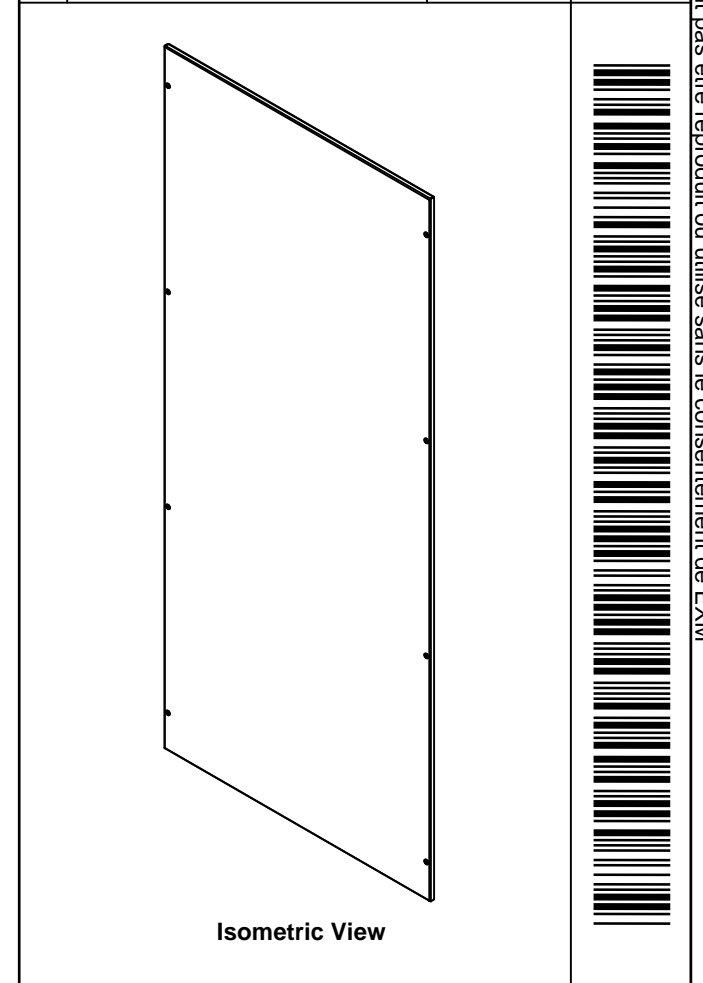



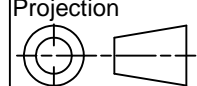
	Description		Status	
	6500 MXC 2000mm x 900mm Left		(NULL)	
Part Number Numéro Pièce		Rev.	2	
6500MXK200809L		0	3	

This drawing is confidential and must not be reproduced or used without the consent of EXM

Ce dessin est confidentiel et ne doit pas être reproduit ou utilisé sans le consentement de EXM

No.	Revisions	Date	By/Par

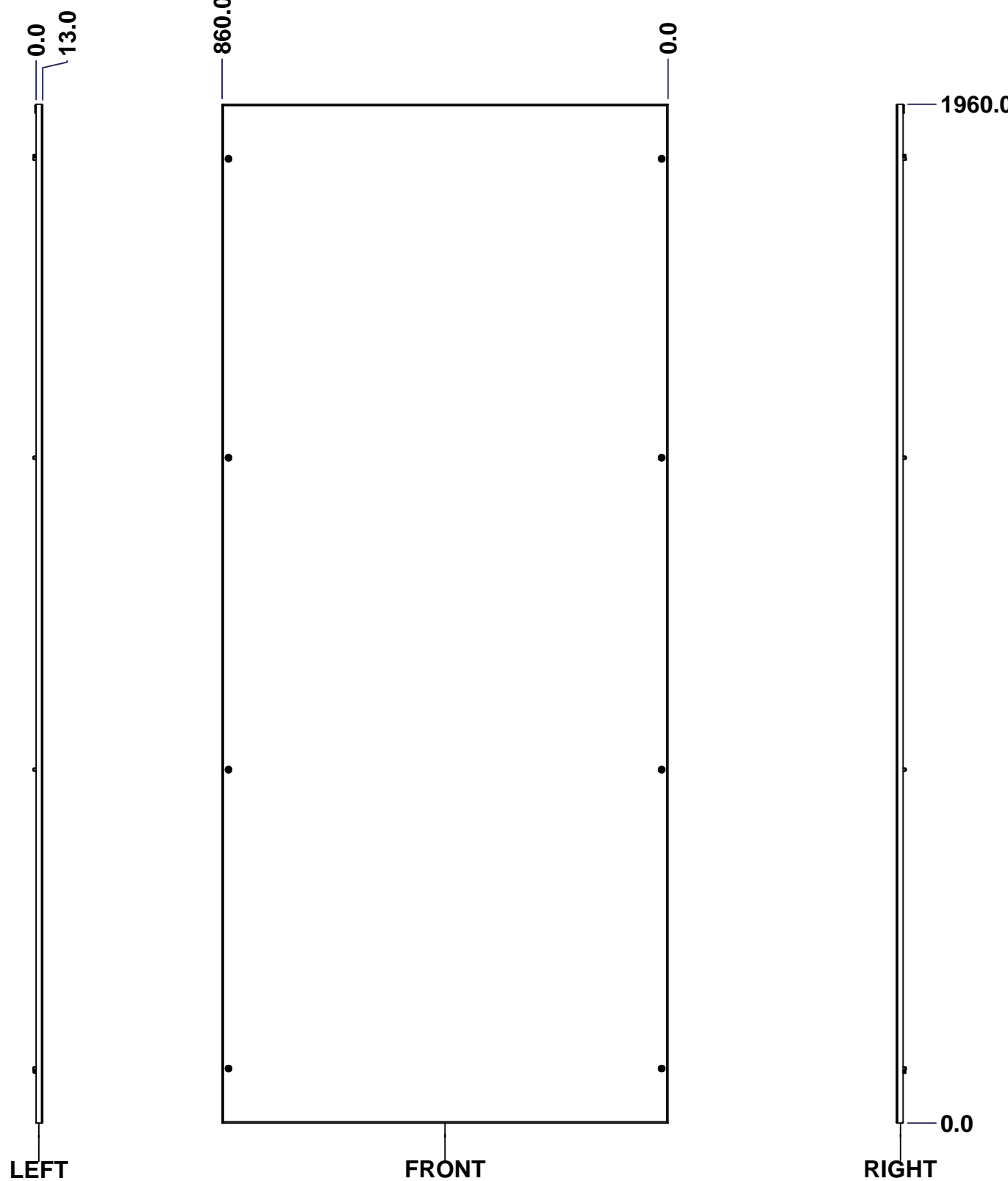
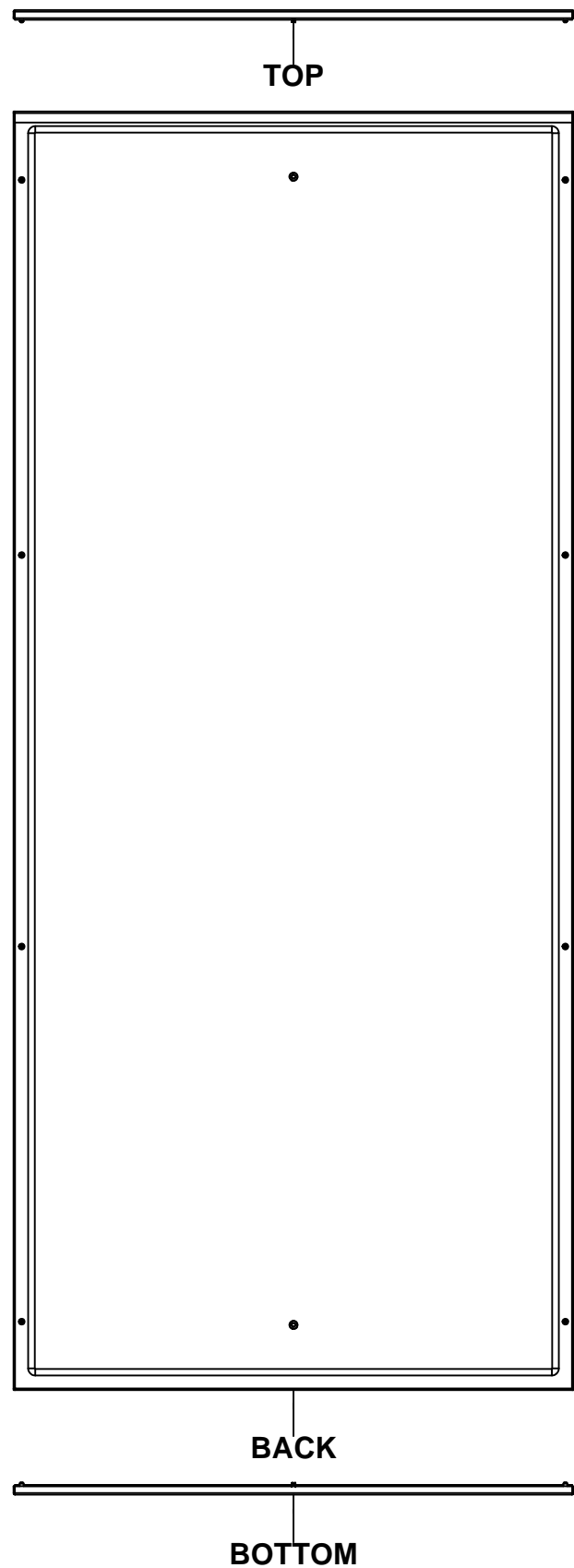


 Tél: (450) 979-4373 Fax: (450) 979-4626 www.exmweb.com		Flatness Aplatissement Max 3.0mm Projection 	
Customer Client		Date	
Drawn By / Dessiné Par: BoxCad: Annie		Date: 07/08/2014	
Material / Matière: 14 Ga H.R.P. & O. (1.7mm)			
Color / Couleur: Light Grey RAL7035		Finish / Fini: Rough Textured	
Description: 6500 MXC 2000mm x 900mm Left			Detail Rev.
Part Number / Numéro Pièce: 6500MXK200809L			Rev. 3

Qty	Part Number	Rev	Description
1	STK-P-03820R	0	Powder Paint (Light Grey / Rough Textured)
8	STK-Q-03072	2	M6 x 17mm Phillips Flat Head Screw
2	STK-Q-16080	0.1.1	M6 x 16mm Ground Stud
1	6500MXK200809LG	0	6500 MXC 2000mm x 900mm Left Gasket
1	6500MXK200809L-P	0	6500 MXC 2000mm x 900mm Left Part
Parts List			

This drawing is confidential and must not be reproduced or used without the consent of EXM

Ce dessin est confidentiel et ne doit pas être reproduit ou utilisé sans le consentement de EXM



No.	Revisions	Date	By/Par

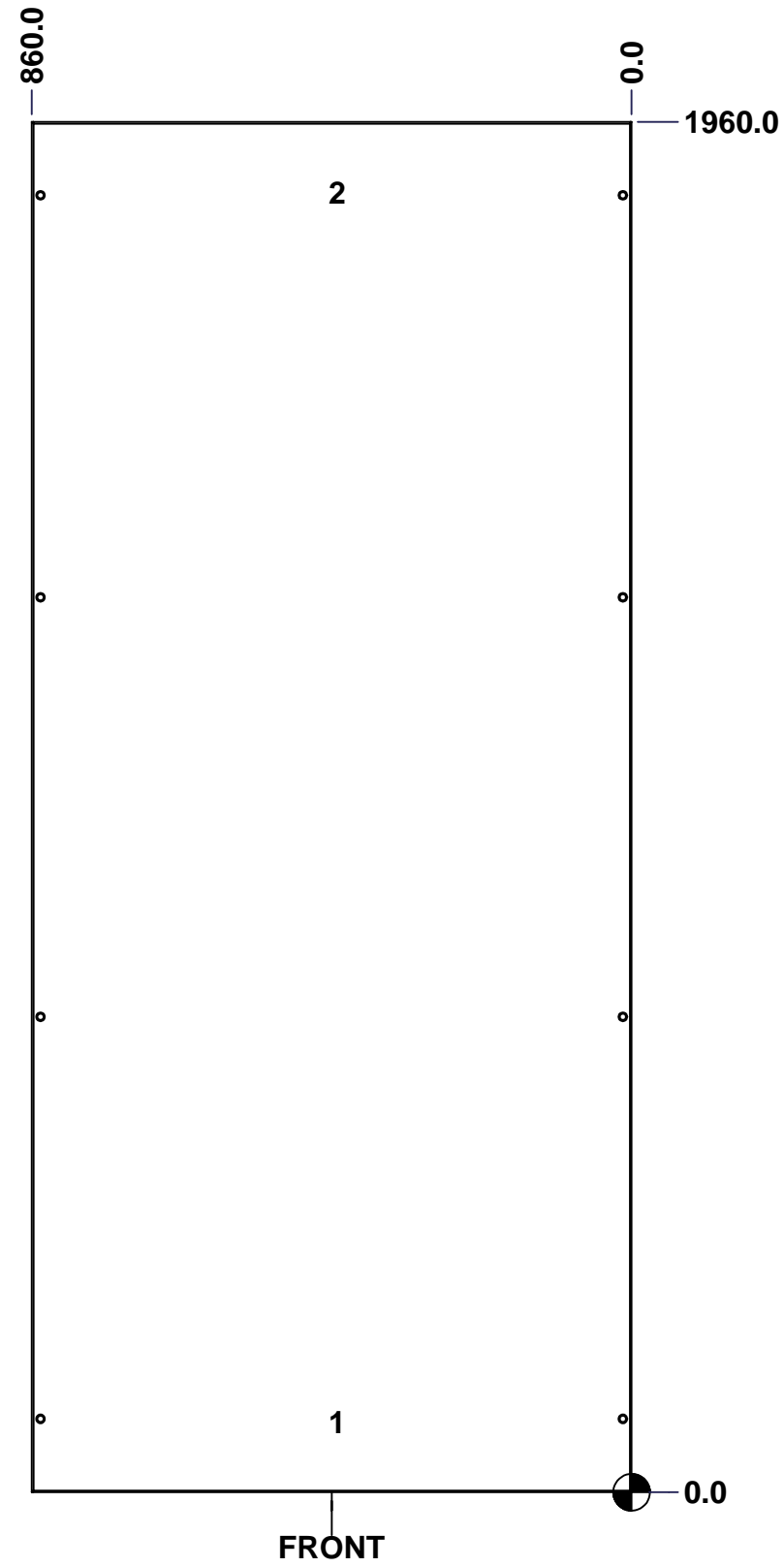
Isometric View

<p>Tél: (450) 979-4373 Fax: (450) 979-4626 www.exmweb.com</p>		Flatness Aplatissement Max 3.0mm			
		Projection 			
Customer Client		Date			
Drawn By / Dessiné Par: BoxCad: Annie		Date: 07/08/2014			
Material / Matière: 14 Ga H.R.P. & O. (1.7mm)		Color / Couleur: Light Grey RAL7035			
Description: 6500 MXC 2000mm x 900mm Right		Finish / Fini: Rough Textured			
Part Number / Numéro Pièce: 6500MXK200809R		Detail Rev.:			
SEE BILL OF MATERIAL ON LAST PAGE		Rev. 0	<table border="1" style="width: 100%;"> <tr> <td style="width: 50%; text-align: center;">1</td> <td style="width: 50%; text-align: center;">3</td> </tr> </table>	1	3
1	3				

This drawing is confidential and must not be reproduced or used without the consent of EXM

Ce dessin est confidentiel et ne doit pas être reproduit ou utilisé sans le consentement de EXM

STANDARD FEATURES ARE NOT LISTED IN THIS HOLE TABLE			
HOLE TABLE - FRONT VIEW (CUSTOM FEATURE ONLY)			
CUT-OUT	XDIM	YDIM	DESCRIPTION
1	430.0	100.0	GND STUD M6 x 16mm (Inside)
2	430.0	1860.0	GND STUD M6 x 16mm (Inside)

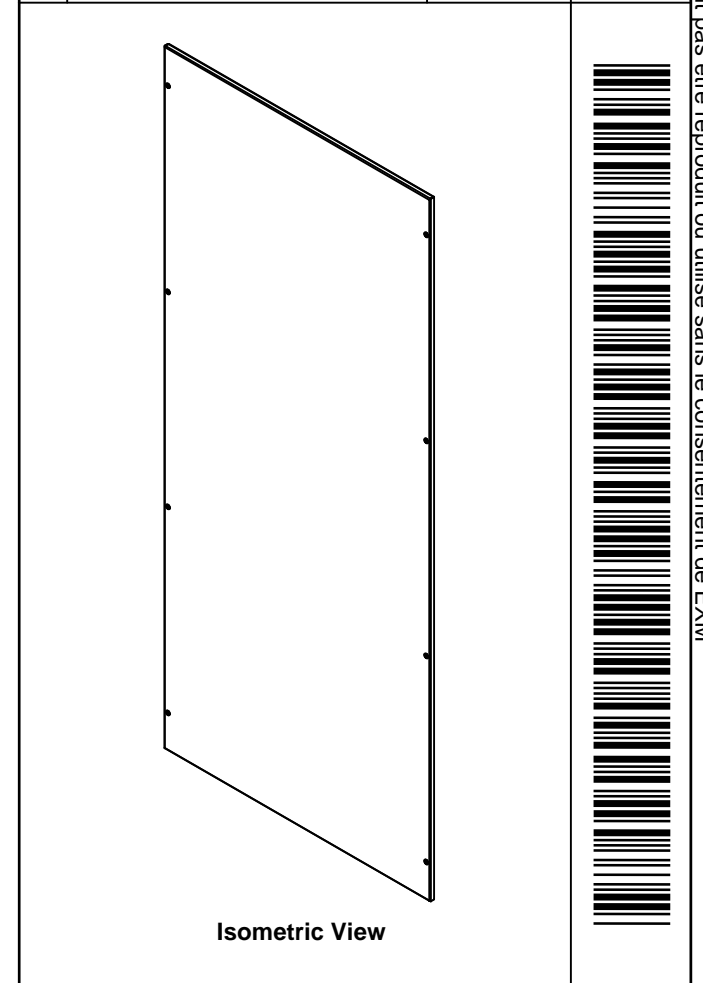



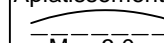
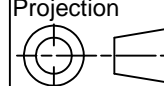
	Description		Status
	6500 MXC 2000mm x 900mm Right		(NULL)
Part Number Numéro Pièce		Rev.	
6500MXK200809R		0	2 3

This drawing is confidential and must not be reproduced or used without the consent of EXM

Ce dessin est confidentiel et ne doit pas être reproduit ou utilisé sans le consentement de EXM

No.	Revisions	Date	By/Par

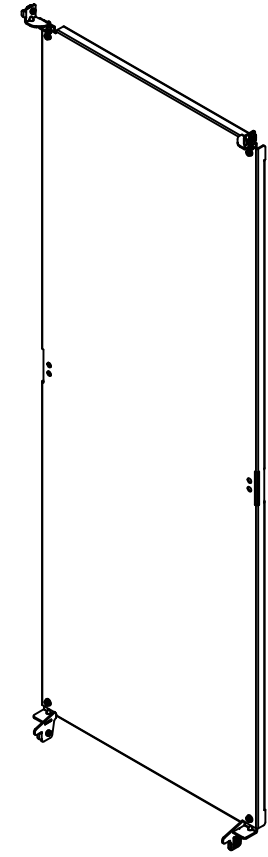
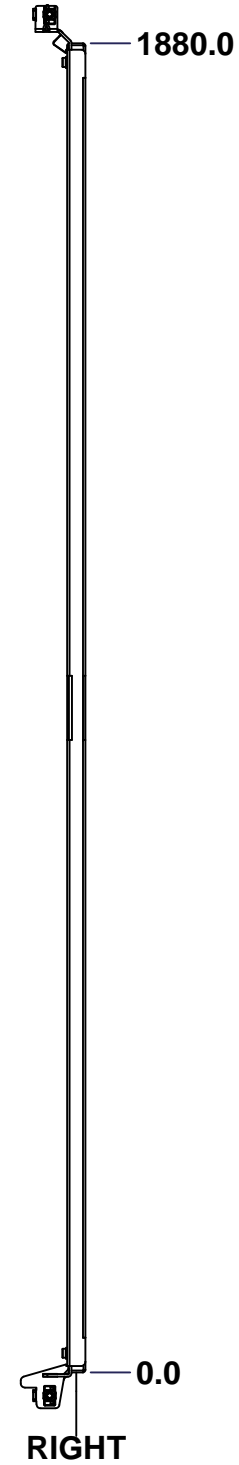
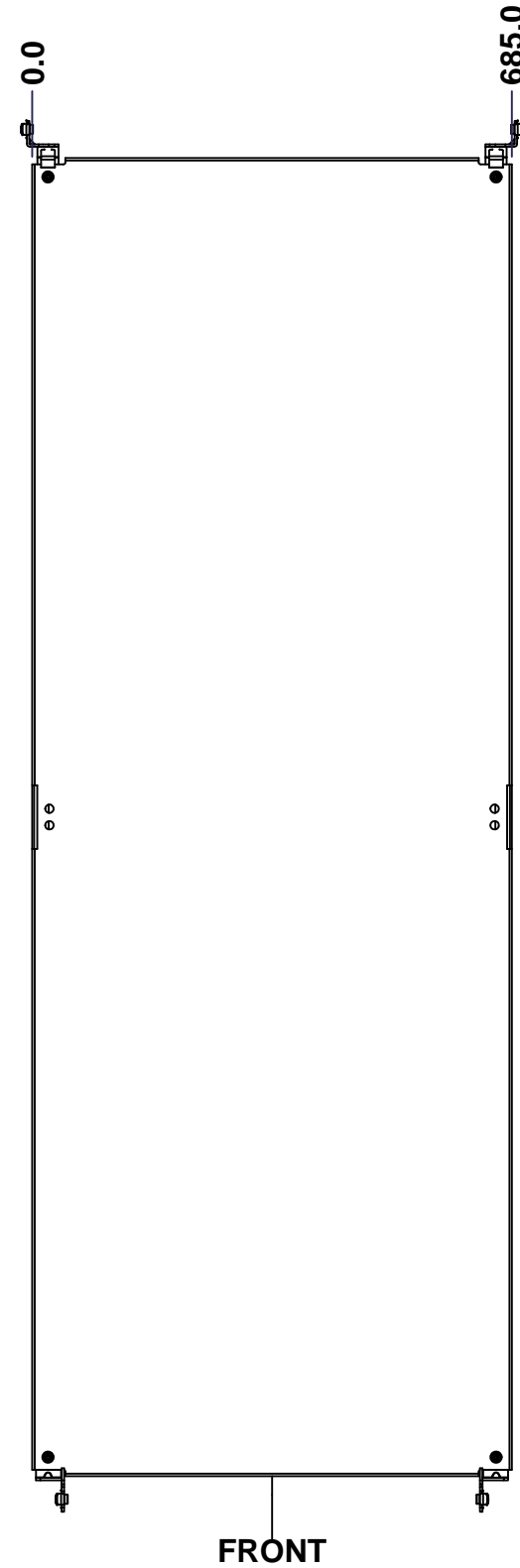
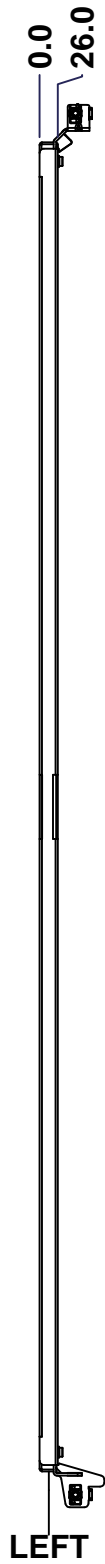
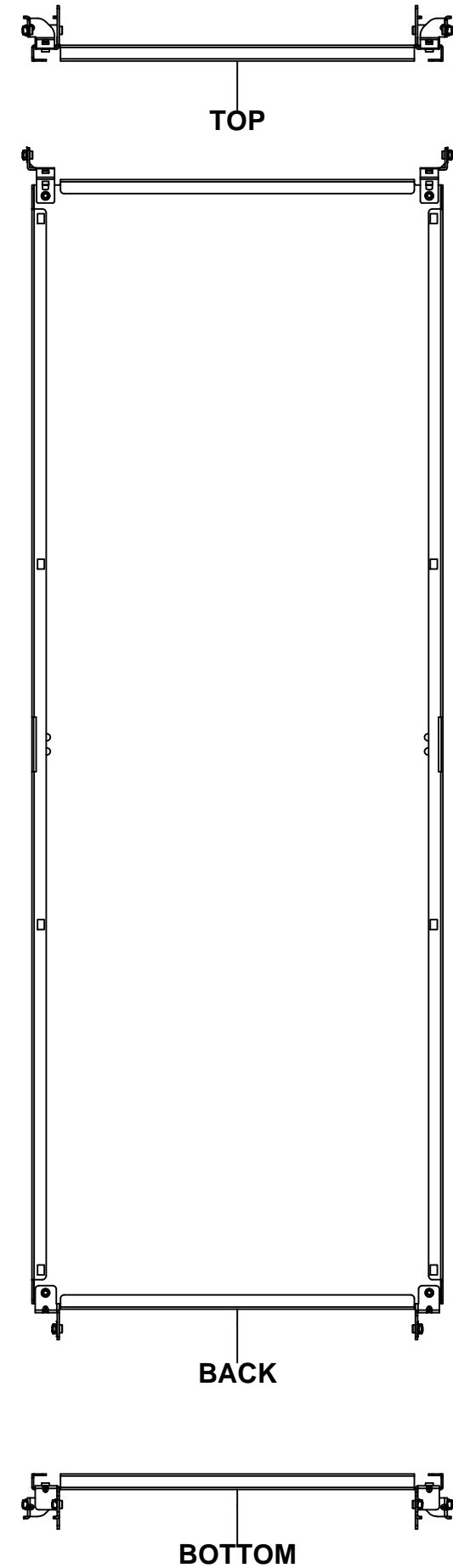


 Tél: (450) 979-4373 Fax: (450) 979-4626 www.exmweb.com		Flatness Aplatissement  Max 3.0mm
Customer Client		Projection 
Drawn By Dessiné Par BoxCad: Annie		Date 07/08/2014
Material Matière 14 Ga H.R.P. & O. (1.7mm)		
Color Couleur Light Grey RAL7035		Finish Fini Rough Textured
Description 6500 MXC 2000mm x 900mm Right		Detail Rev.
Part Number Numéro Pièce 6500MXK200809R		Rev. 3 0

Qty	Part Number	Rev	Description
1	STK-P-03820R	0	Powder Paint (Light Grey / Rough Textured)
8	STK-Q-03072	2	M6 x 17mm Phillips Flat Head Screw
2	STK-Q-16080	0.1.1	M6 x 16mm Ground Stud
1	6500MXK200809RG	0	6500 MXC 2000mm x 900mm Right Gasket
1	6500MXK200809R-P	0	6500 MXC 2000mm x 900mm Right Part
Parts List			

This drawing is confidential and must not be reproduced or used without the consent of EXM


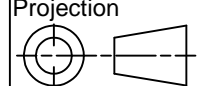
Ce dessin est confidentiel et ne doit pas être reproduit ou utilisé sans le consentement de EXM



Isometric View



No.	Revisions	Date	By/Par

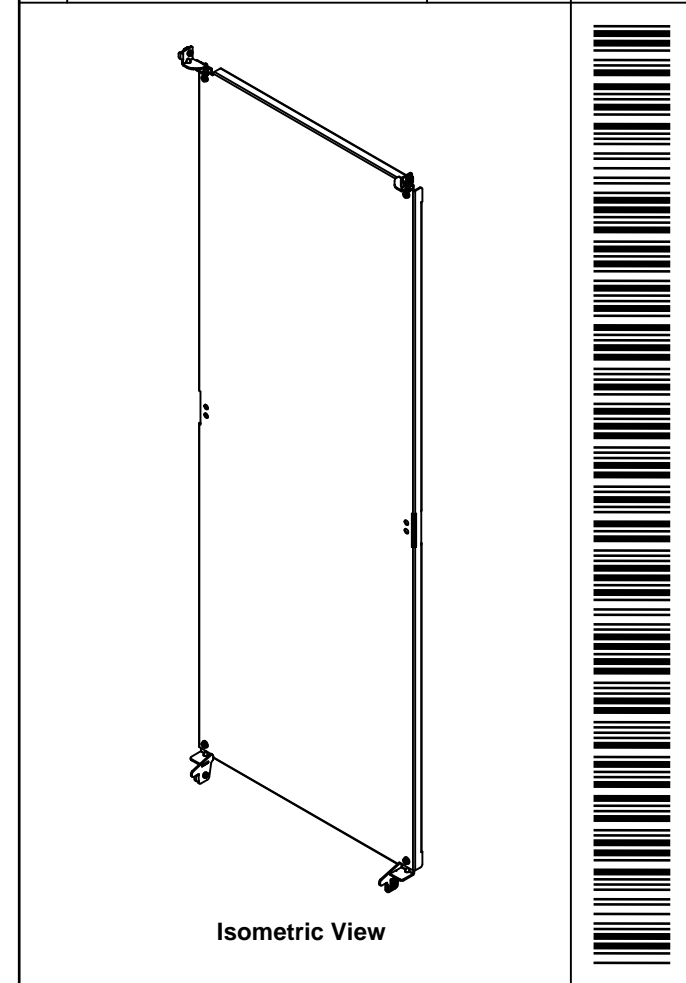
 Tél: (450) 979-4373 Fax: (450) 979-4626 www.exmweb.com		Flatness Aplatissement Max 3.0mm Projection 
Customer Client	Date	
Drawn By Dessiné Par	BoxCad: Annie	Date 07/08/2014
Material Matière	12 Ga Galvanized (2.5mm)	
Color Couleur	Unpainted	Finish Fini Unpainted
Description	Detail Rev.	
6500 MXM 2000mm x 800mm Back Inner Panel		
Part Number Numéro Pièce	Rev.	
6500MXK200809BIP	0	1 / 3

SEE BILL OF MATERIAL ON LAST PAGE

This drawing is confidential and must not be reproduced or used without the consent of EXM

Ce dessin est confidentiel et ne doit pas être reproduit ou utilisé sans le consentement de EXM

No.	Revisions	Date	By/Par



Tél: (450) 979-4373 Fax: (450) 979-4626 www.exmweb.com		Flatness Aplatissement	
		Max 3.0mm Projection	
Customer Client		Date	
Drawn By Dessiné Par BoxCad: Annie		Date 07/08/2014	
Material Matière 12 Ga Galvanized (2.5mm)			
Color Couleur Unpainted		Finish Fini Unpainted	
Description 6500 MXM 2000mm x 800mm Back Inner Panel			Detail Rev.
Part Number Numéro Pièce		Rev.	3
6500MXK200809BIP		0	3

Qty	Part Number	Rev	Description
1	STK-A-49005	0	6500MXM - Bottom Inner Panel Support Kit (Right)
1	STK-A-49000	0	6500MXM - Bottom Inner Panel Support Kit (Left)
1	STK-A-49015	0	6500MXM - Top Inner Panel Support Kit (Right)
1	STK-A-49010	0	6500MXM - Top Inner Panel Support Kit (Left)
1	6500MXK200809BIP-P	0	6500 MXM 2000mm x 800mm Back Inner Panel Part
Parts List			