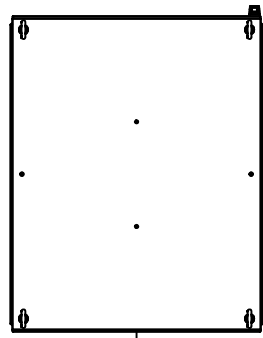
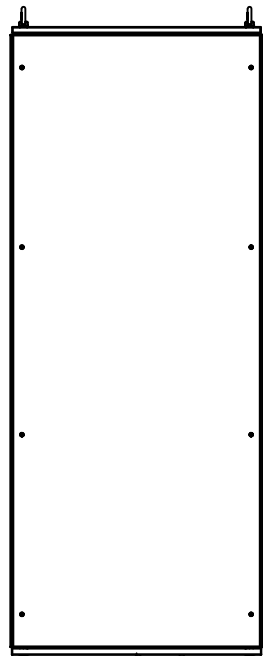


This drawing is confidential and must not be reproduced or used without the consent of EXM

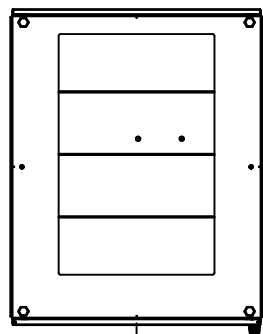
Ce dessin est confidentiel et ne doit pas être reproduit ou utilisé sans le consentement de EXM



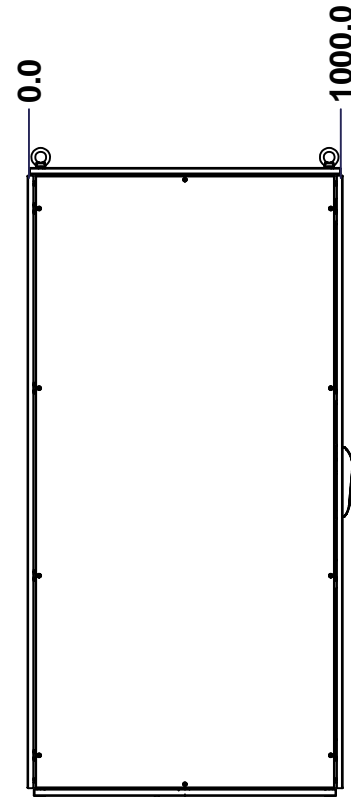
TOP



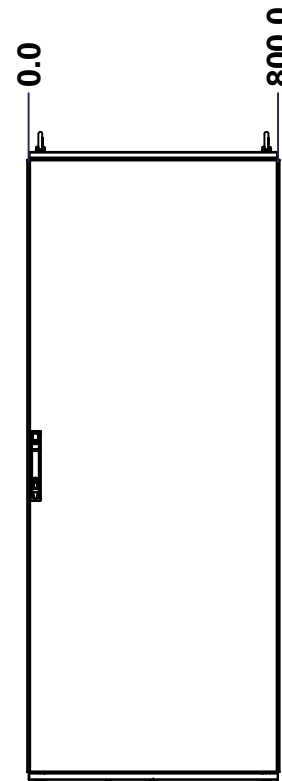
BACK



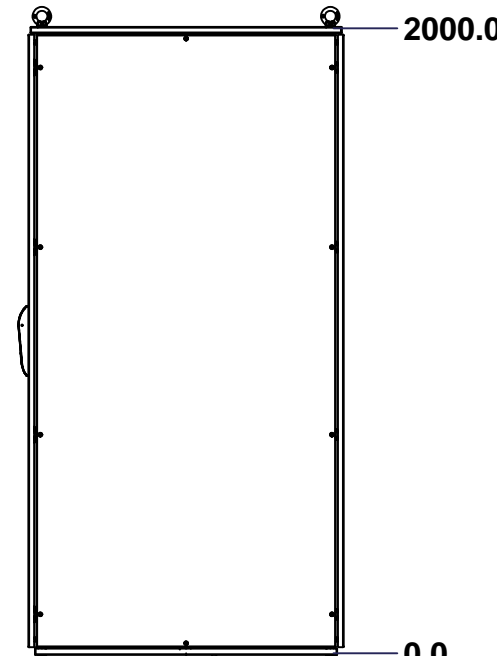
BOTTOM



LEFT

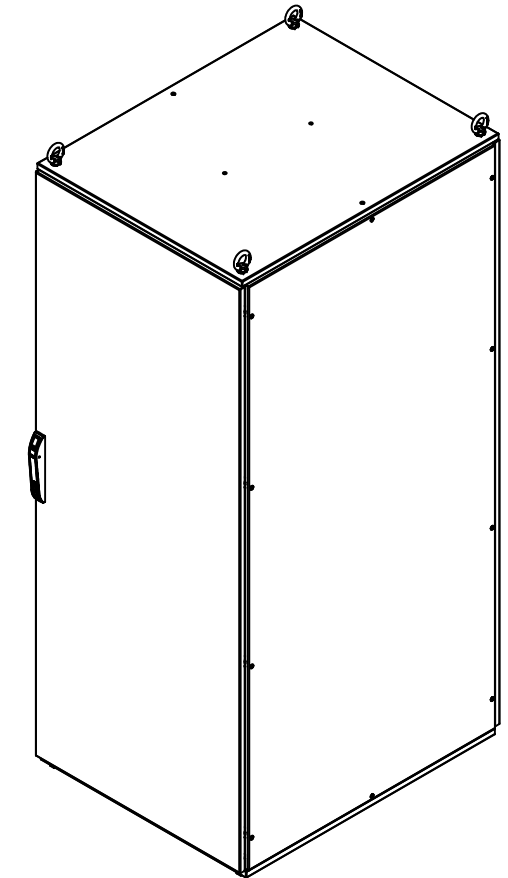


FRONT



RIGHT

| No. | Revisions | Date | By/Par |
|-----|-----------|------|--------|
|     |           |      |        |
|     |           |      |        |
|     |           |      |        |
|     |           |      |        |
|     |           |      |        |



Isometric View

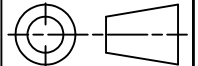


Tél: (450) 979-4373  
 Fax: (450) 979-4626  
[www.exmweb.com](http://www.exmweb.com)

Flatness  
Aplatissement

Max 3.0mm

Projection



|                         |      |
|-------------------------|------|
| Customer<br>Client      | Date |
| Drawn By<br>Dessiné Par | Date |

BoxCad: Annie

07/08/2014

Material  
Matière

See Part List

|                  |               |                |               |
|------------------|---------------|----------------|---------------|
| Color<br>Couleur | See Part List | Finish<br>Fini | See Part List |
|------------------|---------------|----------------|---------------|

|   |             |
|---|-------------|
| Description<br>6500MX 2000mm x 800mm x 1000mm<br>Assembly | Detail Rev. |
|---|-------------|

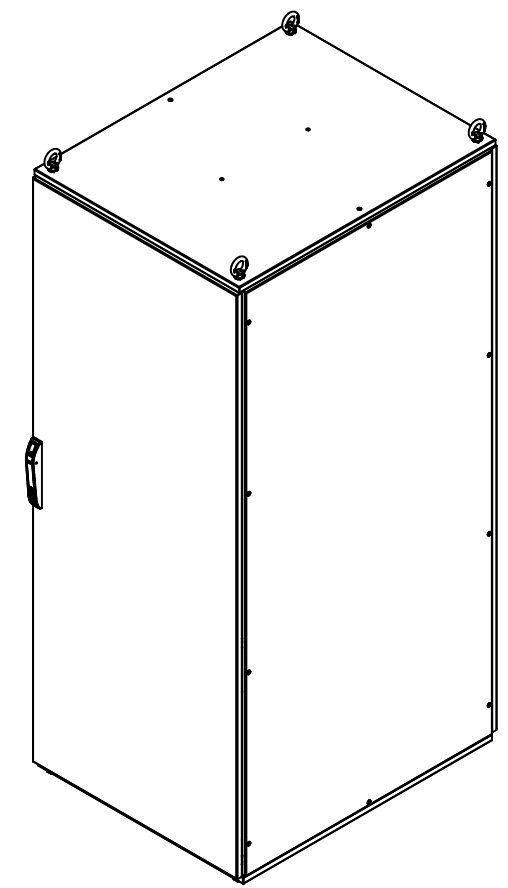
|                             |          |   |   |
|-----------------------------|----------|---|---|
| Part Number<br>Numéro Pièce | Rev.     | 1 | 2 |
| <b>6500MXK200810</b>        | <b>0</b> |   |   |

SEE BILL OF MATERIAL ON LAST PAGE

This drawing is confidential and must not be reproduced or used without the consent of EXM

Ce dessin est confidentiel et ne doit pas être reproduit ou utilisé sans le consentement de EXM

| No. | Revisions | Date | By/Par |
|-----|-----------|------|--------|
|     |           |      |        |
|     |           |      |        |
|     |           |      |        |
|     |           |      |        |
|     |           |      |        |



Isometric View



Tél: (450) 979-4373  
 Fax: (450) 979-4626  
[www.exmweb.com](http://www.exmweb.com)

Flatness  
Aplatissement  
Max 3.0mm  
Projection

Customer Client  
 Drawn By Dessiné Par BoxCad: Annie  
 Date 07/08/2014

Material Matière See Part List  
 Color Couleur See Part List  
 Finish Fini See Part List

Description 6500MX 2000mm x 800mm x 1000mm Assembly  
 Detail Rev.

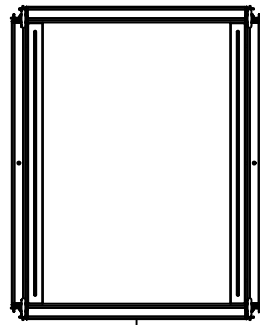
Part Number Numéro Pièce **6500MXK200810**  
 Rev. 0

| Qty        | Part Number      | Rev | Description                              |
|------------|------------------|-----|--|
| 1          | 6500MXK200810BIP | 0   | 6500 MXM 2000mm x 800mm Back Inner Panel |
| 1          | 6500MXK200810R   | 0   | 6500 MXC 2000mm x 1000mm Right           |
| 1          | 6500MXK200810L   | 0   | 6500 MXC 2000mm x 1000mm Left            |
| 1          | 6500MXK200810F   | 0   | 6500 MXD 2000mm x 800mm Front            |
| 1          | 6500MXK200810B   | 0   | 6500 MXR 2000mm x 800mm Back             |
| 1          | 6500MXK200810BT  | 0   | 6500 MXB 800mm x 1000mm Bottom           |
| 1          | 6500MXK200810T   | 0   | 6500 MXT 800mm x 1000mm Top              |
| 1          | 6500MXK200810FR  | 0   | 6500 MX 2000mm x 800mm x 1000mm Frame    |
| Parts List |                  |     |  |

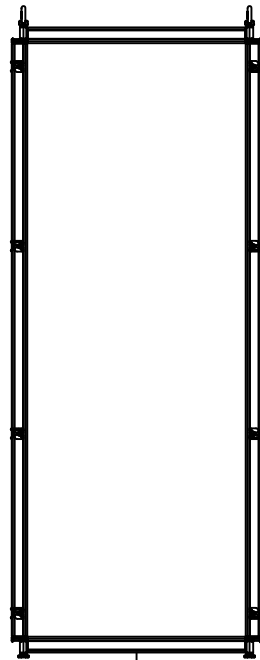
|      |   |
|------|---|
| Rev. | 2 |
| 0    | 2 |

This drawing is confidential and must not be reproduced or used without the consent of EXM

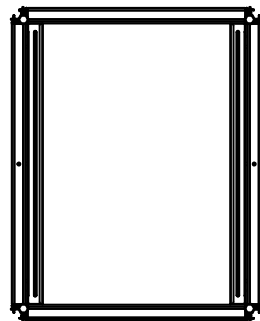
Ce dessin est confidentiel et ne doit pas être reproduit ou utilisé sans le consentement de EXM



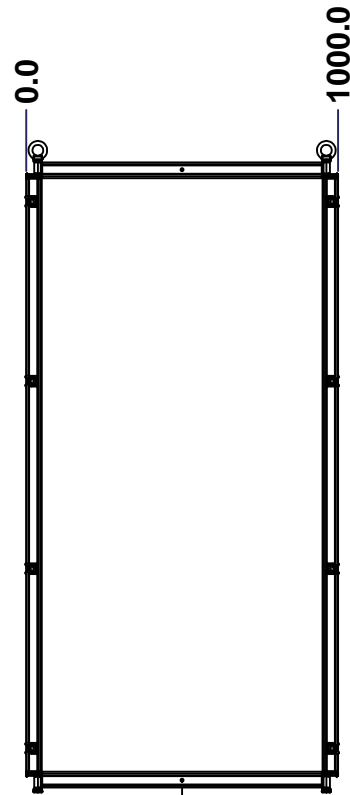
TOP



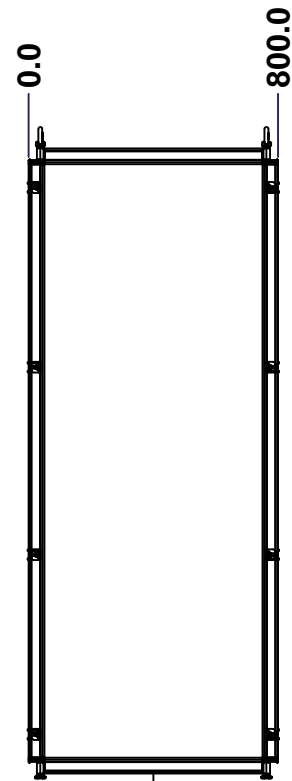
BACK



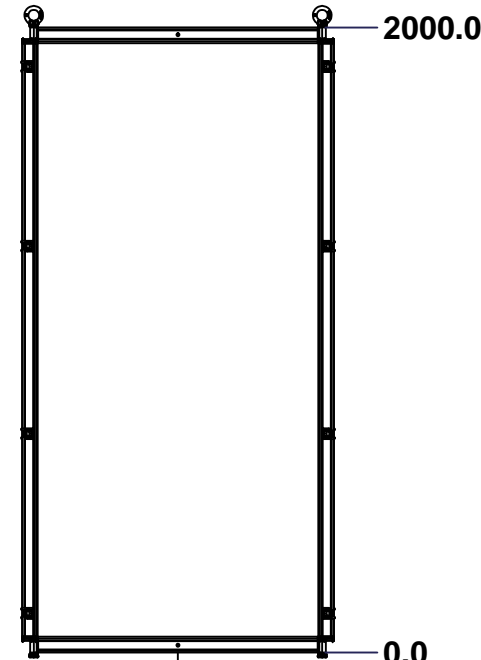
BOTTOM



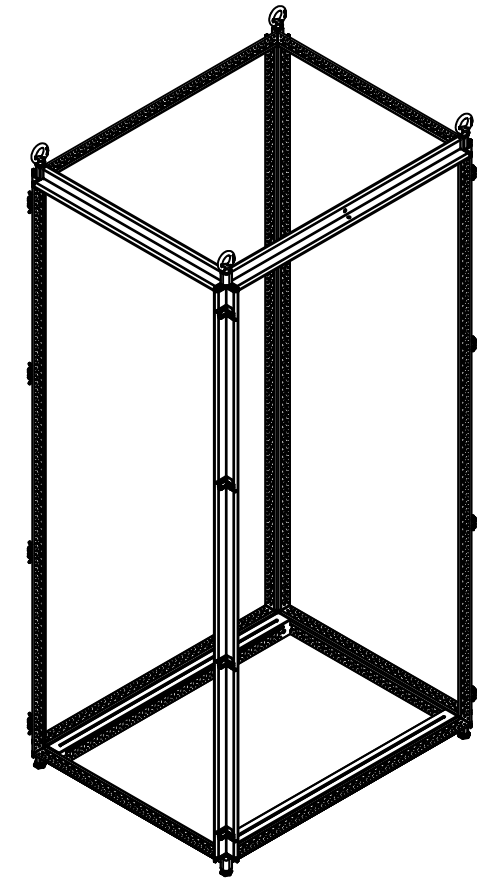
LEFT



FRONT




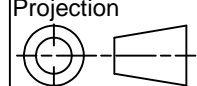
RIGHT



Isometric View



| No. | Revisions | Date | By/Par |
|-----|-----------|------|--------|
|     |           |      |        |
|     |           |      |        |
|     |           |      |        |
|     |           |      |        |

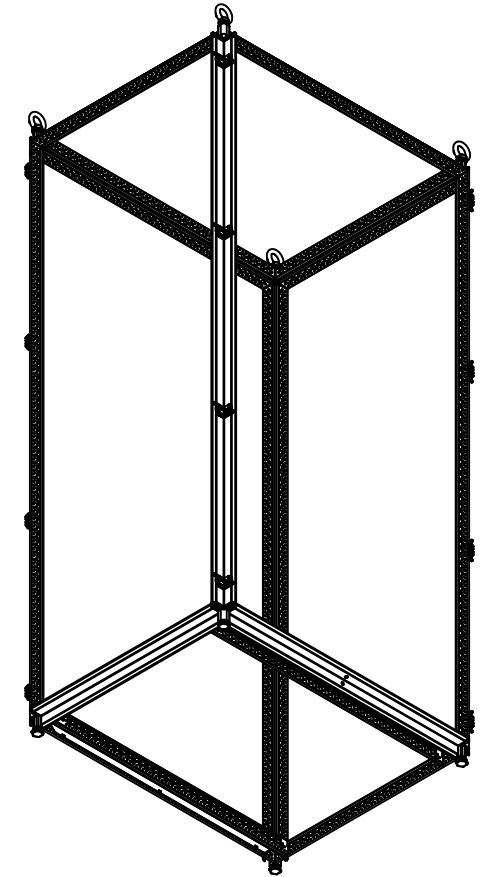
|  |                                  |   |
|--|----------------------------------|---|
|  Tél: (450) 979-4373<br>Fax: (450) 979-4626<br><a href="http://www.exmweb.com">www.exmweb.com</a> |                                  | Flatness<br>Aplatissement<br>Max 3.0mm<br>Projection<br> |
| Customer<br>Client   | Date                             |   |
| Drawn By<br>Dessiné Par  | BoxCad: Annie                    | Date 07/08/2014   |
| Material<br>Matière  | 16 Ga Electro-Galvanized (1.4mm) |   |
| Color<br>Couleur   | Iron Grey RAL7011                | Finish<br>Fin<br>Rough<br>Textured  |
| Description  | Detail Rev.                      |   |
| 6500 MX 2000mm x 800mm x 1000mm<br>Frame   |                                  |   |
| Part Number<br>Numéro Pièce  | Rev.                             | 1<br>2  |
| <b>6500MXK200810FR</b>   | <b>0</b>                         |   |

SEE BILL OF MATERIAL ON LAST PAGE

This drawing is confidential and must not be reproduced or used without the consent of EXM

Ce dessin est confidentiel et ne doit pas être reproduit ou utilisé sans le consentement de EXM

| No. | Revisions | Date | By/Par |
|-----|-----------|------|--------|
|     |           |      |        |
|     |           |      |        |
|     |           |      |        |
|     |           |      |        |
|     |           |      |        |



Isometric View



|            |                |     |   |
|------------|----------------|-----|---|
| 1          | STK-P-03810R   | 0   | Powder Paint (Iron Grey / Rough Textured) |
| 1          | STK-Q-49071    | 3   | 6500 MXM Inner Panel Slider 1000mm        |
| 1          | STK-Q-49071-L  | 3   | 6500 MXM Inner Panel Slider 1000mm        |
| 4          | STK-Q-49500    | 3   | M12 Eye Bolt (0.34T)                      |
| 4          | STK-Q-61110    | 0   | M12 Feet Leveler                          |
| 8          | STK-Q-00610    | 1   | M18 x 30.5mm Bolt - Cover                 |
| 4          | STK-Q-47251-20 | 3   | 6500 MX 2000mm Vertical Frame Post Part   |
| 4          | STK-Q-47250-08 | 3   | 6500 MX 800mm Horizontal Frame Post Part  |
| 4          | STK-Q-47250-10 | 3   | 6500 MX 1000mm Horizontal Frame Post Part |
| 8          | STK-Q-49445    | 2   | 6500 MX - Frame Corner Bracket Casting    |
| 16         | STK-K-11001    | 2   | 3 Way Fixed Bracket Kit                   |
| Qty        | Part Number    | Rev | Description                               |
| Parts List |                |     |   |

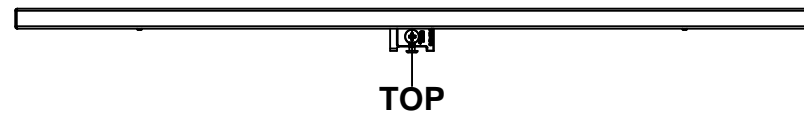
**EXM** *exm*      Tél: (450) 979-4373  
 Fax: (450) 979-4626  
[www.exmweb.com](http://www.exmweb.com)

Flatness Aplatissement  
 Max 3.0mm  
 Projection

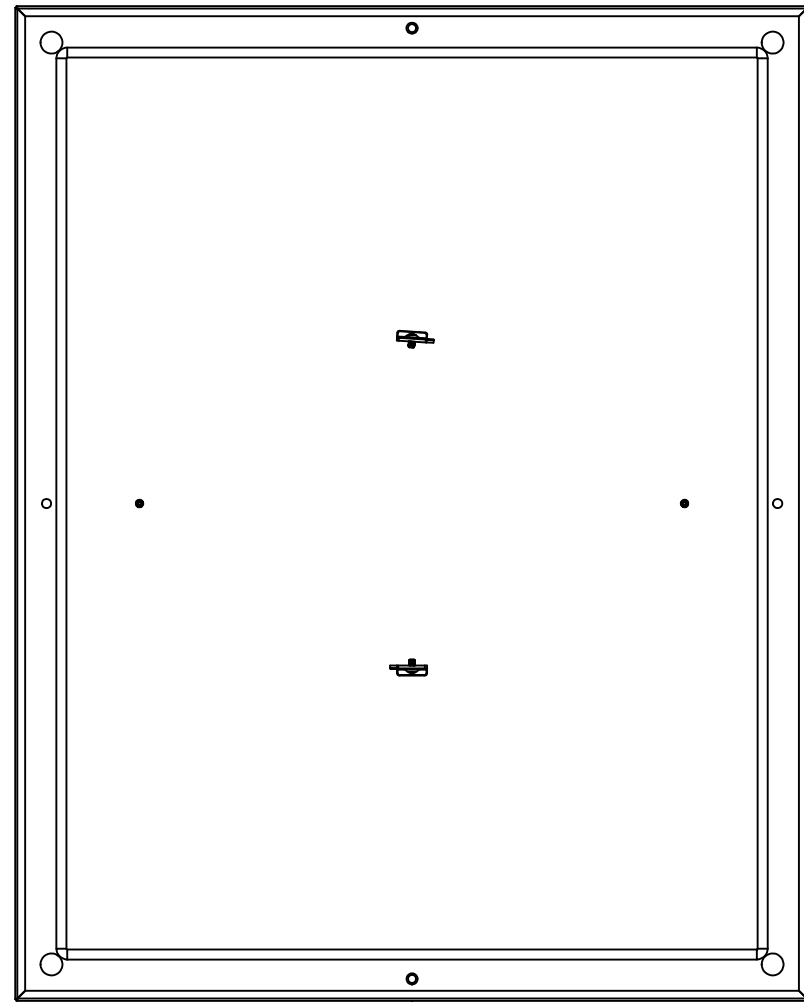
Customer Client      Date  
 Drawn By Dessiné Par BoxCad: Annie      Date 07/08/2014  
 Material Matière 16 Ga Electro-Galvanized (1.4mm)  
 Color Couleur Iron Grey RAL7011      Finish Fini Rough Textured  
 Description 6500 MX 2000mm x 800mm x 1000mm Frame      Detail Rev.  
 Part Number Numéro Pièce **6500MXK200810FR**      Rev. **0** 2

This drawing is confidential and must not be reproduced or used without the consent of EXM

Ce dessin est confidentiel et ne doit pas être reproduit ou utilisé sans le consentement de EXM



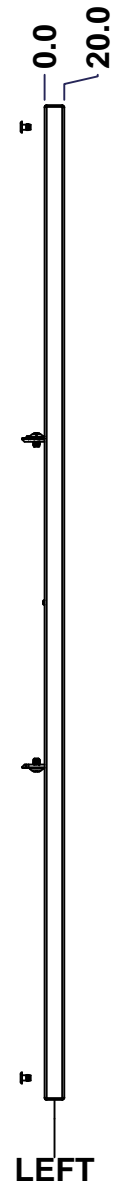
TOP



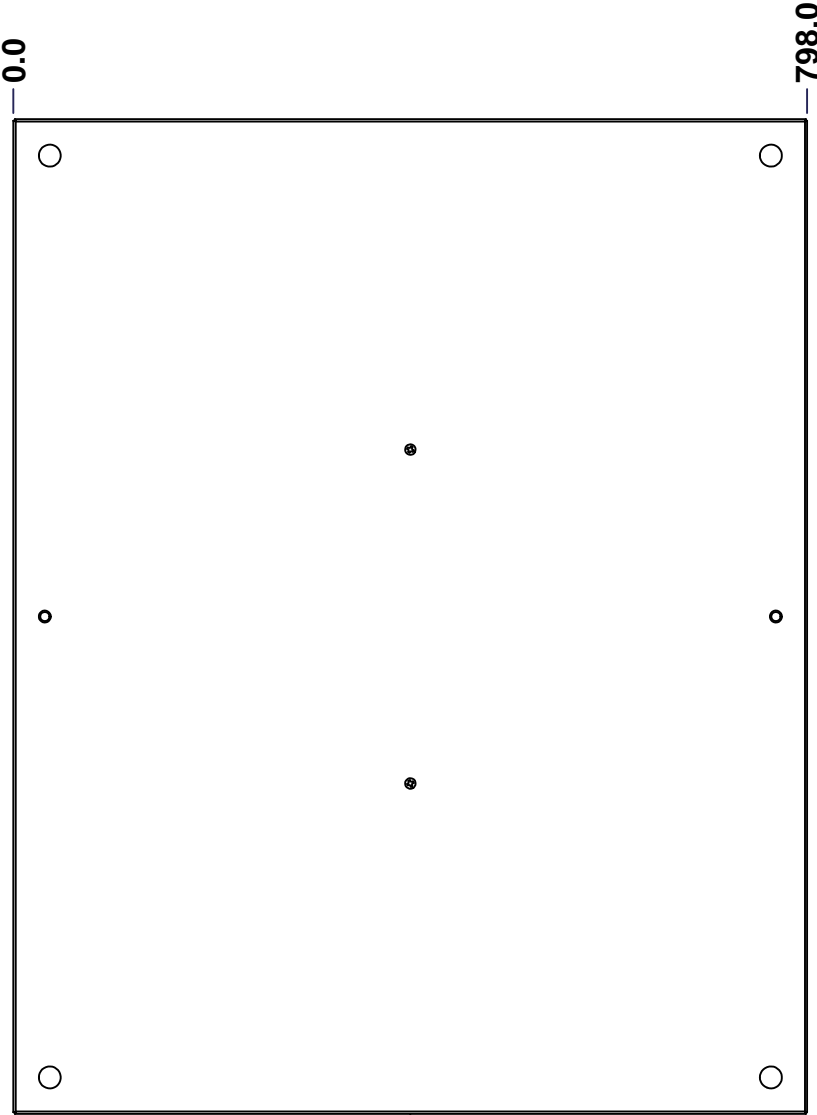
BACK



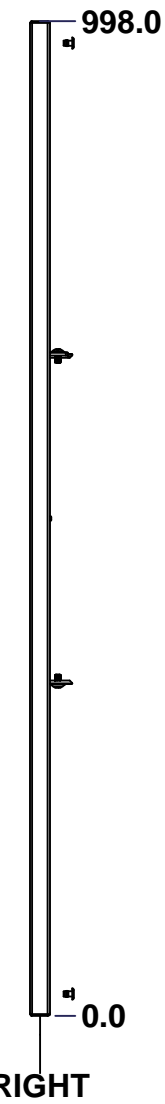
BOTTOM



LEFT



FRONT



RIGHT

| No. | Revisions | Date | By/Par |
|-----|-----------|------|--------|
|     |           |      |        |
|     |           |      |        |
|     |           |      |        |
|     |           |      |        |
|     |           |      |        |

Isometric View

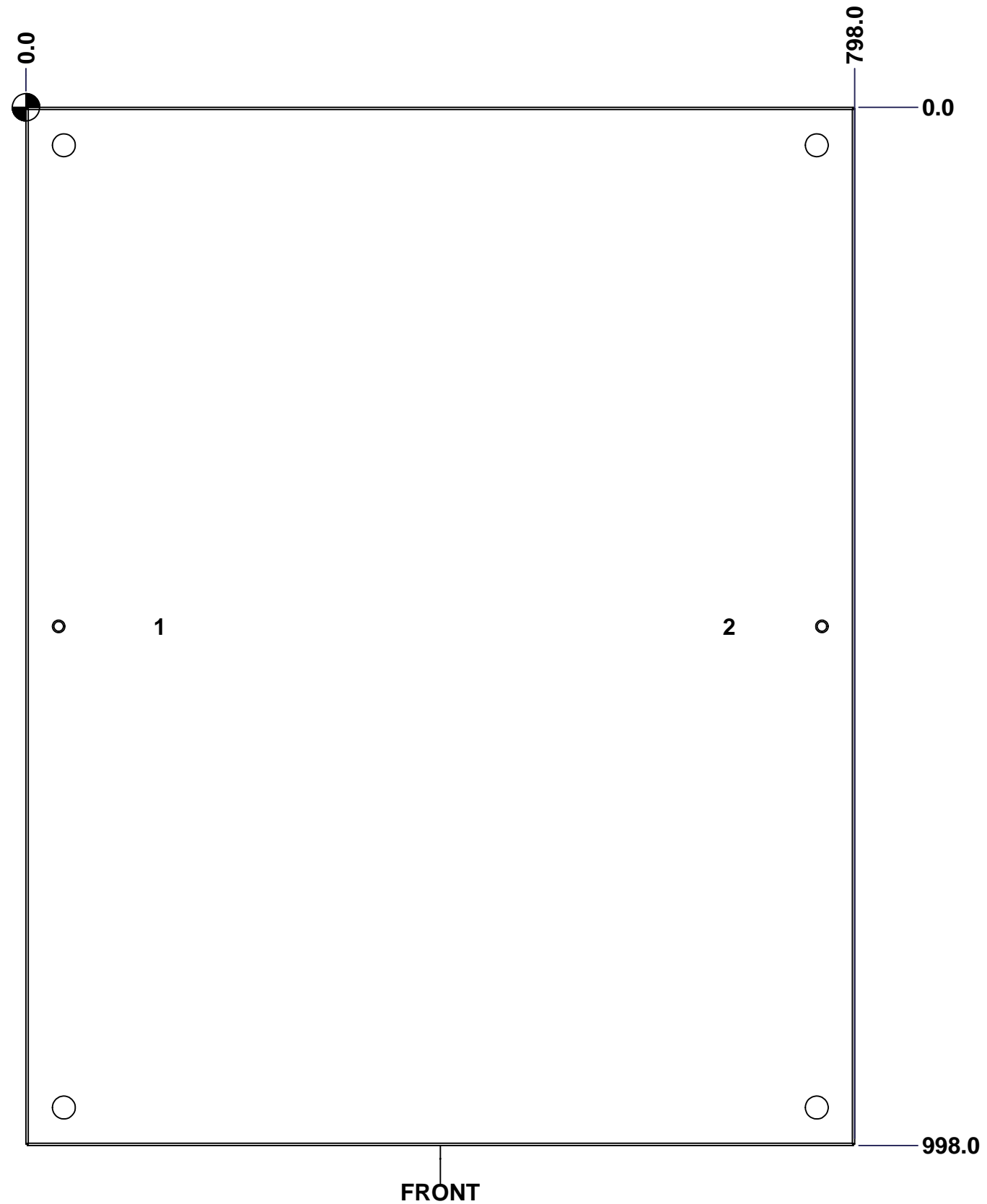
|  |  |                               |             |
|--|--|-------------------------------|-------------|
| Tél: (450) 979-4373<br>Fax: (450) 979-4626<br><a href="http://www.exmweb.com">www.exmweb.com</a> |  | Flatness<br>Aplatissement     |             |
|  |  | Max 3.0mm                     |             |
| Customer<br>Client   |  | Date                          |             |
| Drawn By<br>Dessiné Par BoxCad: Annie  |  | Date 07/08/2014               |             |
| Material<br>Matière 16 Ga H.R.P. & O. (1.4mm)  |  |                               |             |
| Color<br>Couleur Iron Grey RAL7011   |  | Finish<br>Fini Rough Textured |             |
| Description<br>6500 MXT 800mm x 1000mm Top   |  |                               | Detail Rev. |
| Part Number<br>Numéro Pièce <b>6500MXK200810T</b>  |  | Rev. <b>0</b>                 | 1<br>3      |

SEE BILL OF MATERIAL ON LAST PAGE

This drawing is confidential and must not be reproduced or used without the consent of EXM

Ce dessin est confidentiel et ne doit pas être reproduit ou utilisé sans le consentement de EXM

| STANDARD FEATURES ARE NOT LISTED IN THIS HOLE TABLE |       |       |                             |
|---|-------|-------|-----------------------------|
| HOLE TABLE - FRONT VIEW (CUSTOM FEATURE ONLY)       |       |       |                             |
| CUT-OUT   | XDIM  | YDIM  | DESCRIPTION                 |
| 1   | 125.0 | 499.0 | GND STUD M6 x 16mm (Inside) |
| 2   | 673.0 | 499.0 | GND STUD M6 x 16mm (Inside) |



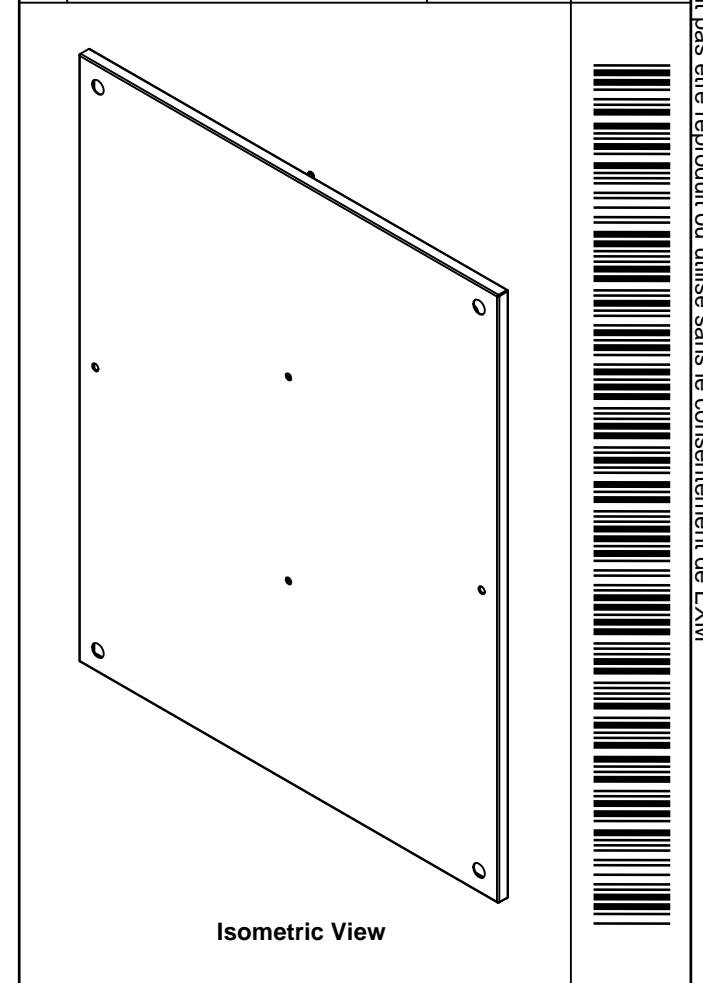
FRONT

|                             |                             |          |        |
|-----------------------------|-----------------------------|----------|--------|
|                             | Description                 |          | Status |
|                             | 6500 MXT 800mm x 1000mm Top |          | (NULL) |
| Part Number<br>Numéro Pièce |                             | Rev.     |        |
| <b>6500MXK200810T</b>       |                             | <b>0</b> | 2<br>3 |

This drawing is confidential and must not be reproduced or used without the consent of EXM

Ce dessin est confidentiel et ne doit pas être reproduit ou utilisé sans le consentement de EXM

| No. | Revisions | Date | By/Par |
|-----|-----------|------|--------|
|     |           |      |        |
|     |           |      |        |
|     |           |      |        |
|     |           |      |        |
|     |           |      |        |



|  |                           |  |
|--|---------------------------|--|
| Tél: (450) 979-4373<br>Fax: (450) 979-4626<br><a href="http://www.exmweb.com">www.exmweb.com</a> |                           | Flatness<br>Aplatissement<br>Max 3.0mm<br>Projection<br> |
| Customer<br>Client   | Date                      |  |
| Drawn By<br>Dessiné Par  | BoxCad: Annie             | Date 07/08/2014  |
| Material<br>Matière  | 16 Ga H.R.P. & O. (1.4mm) |  |
| Color<br>Couleur   | Iron Grey RAL7011         | Finish<br>Fini<br>Rough<br>Textured                      |
| Description  |                           | Detail Rev.  |
| 6500 MXT 800mm x 1000mm Top  |                           |  |
| Part Number<br>Numéro Pièce  | Rev.                      | 3  |
| <b>6500MXK200810T</b>  | <b>0</b>                  | <b>3</b>   |

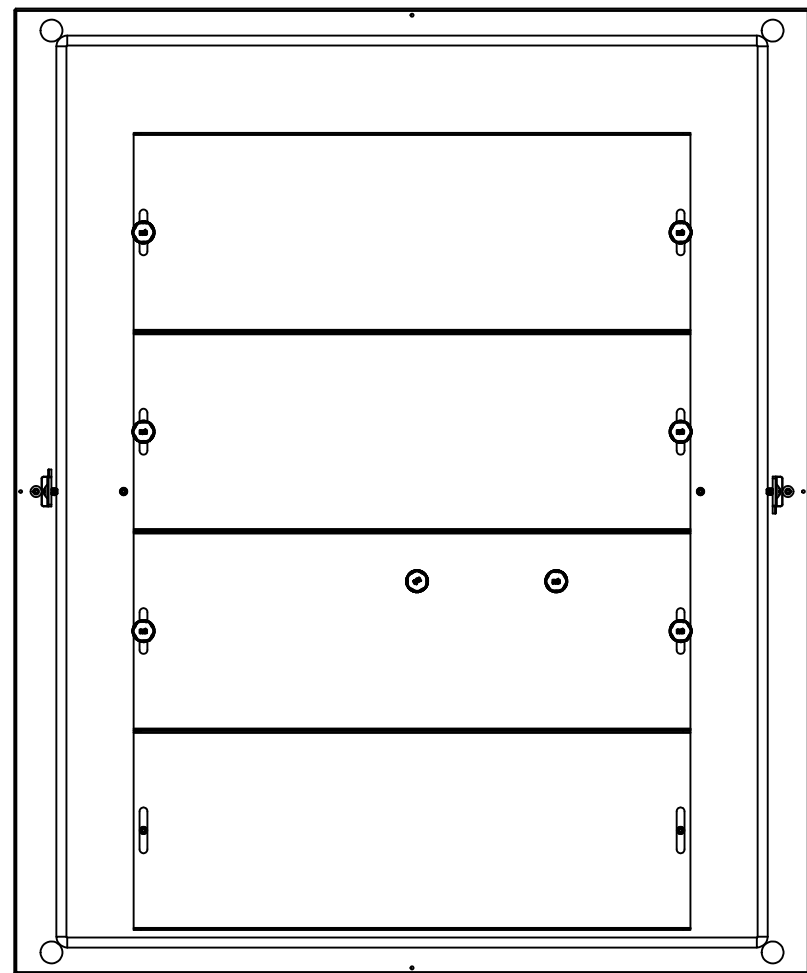
| Qty        | Part Number      | Rev | Description                               |
|------------|------------------|-----|---|
| 1          | STK-P-03810R     | 0   | Powder Paint (Iron Grey / Rough Textured) |
| 2          | STK-Q-16055      | 1   | M6 x 18mm Stud (No Paint Cap Required)    |
| 2          | STK-Q-77120      | 1   | 6500MX-Frame Rubber Plug                  |
| 2          | STK-Q-03072      | 2   | M6 x 17mm Phillips Flat Head Screw        |
| 1          | 6500MXK200810TG  | 0   | 6500 MXT 800mm x 1000mm Top Gasket        |
| 1          | 6500MXK200810T-P | 0   | 6500 MXT 800mm x 1000mm Top Part          |
| 2          | STK-K-11010      | 3   | Partial Fixed Bracket Kit                 |
| Parts List |                  |     |   |

This drawing is confidential and must not be reproduced or used without the consent of EXM

Ce dessin est confidentiel et ne doit pas être reproduit ou utilisé sans le consentement de EXM



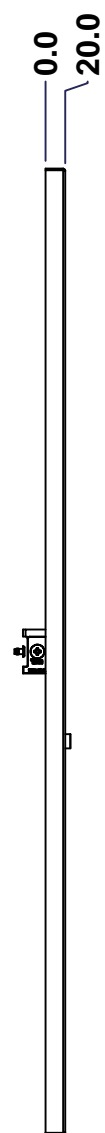
TOP



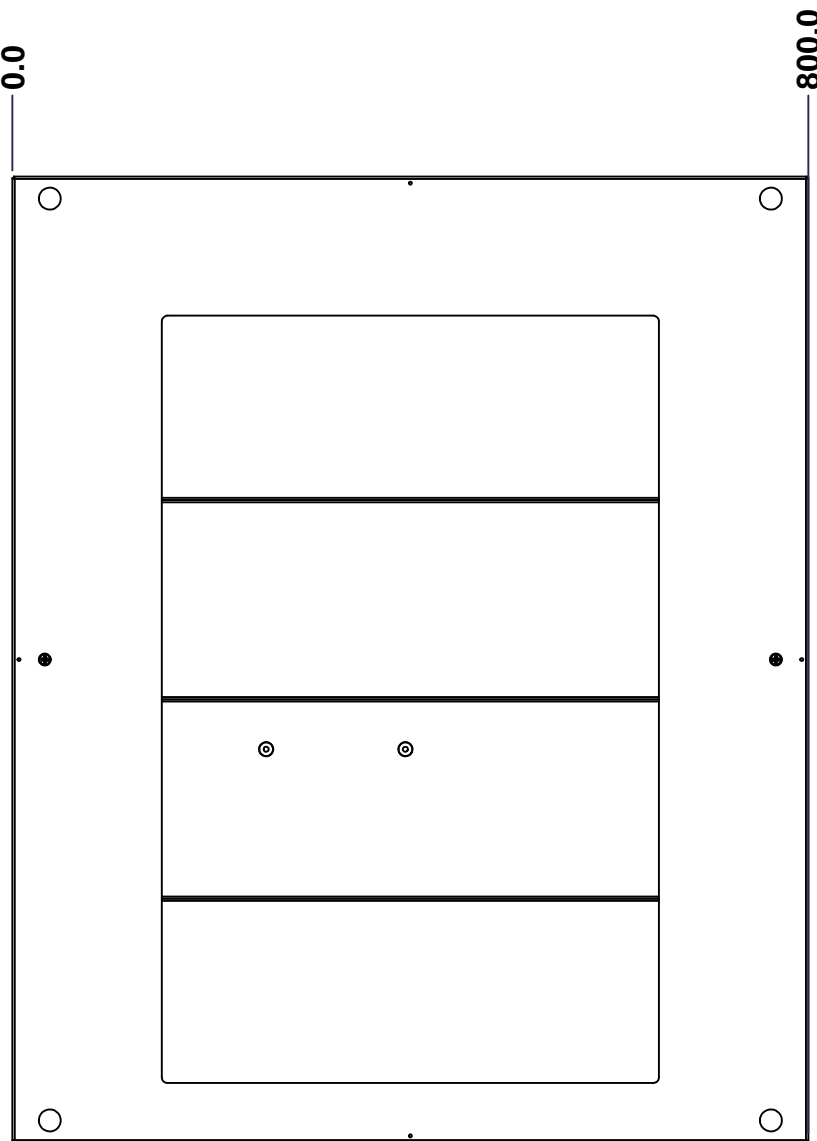
BACK



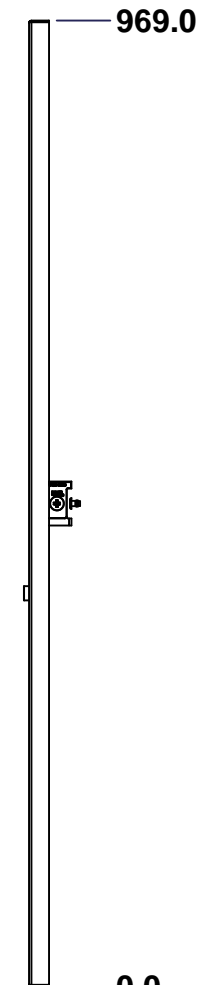
BOTTOM



LEFT

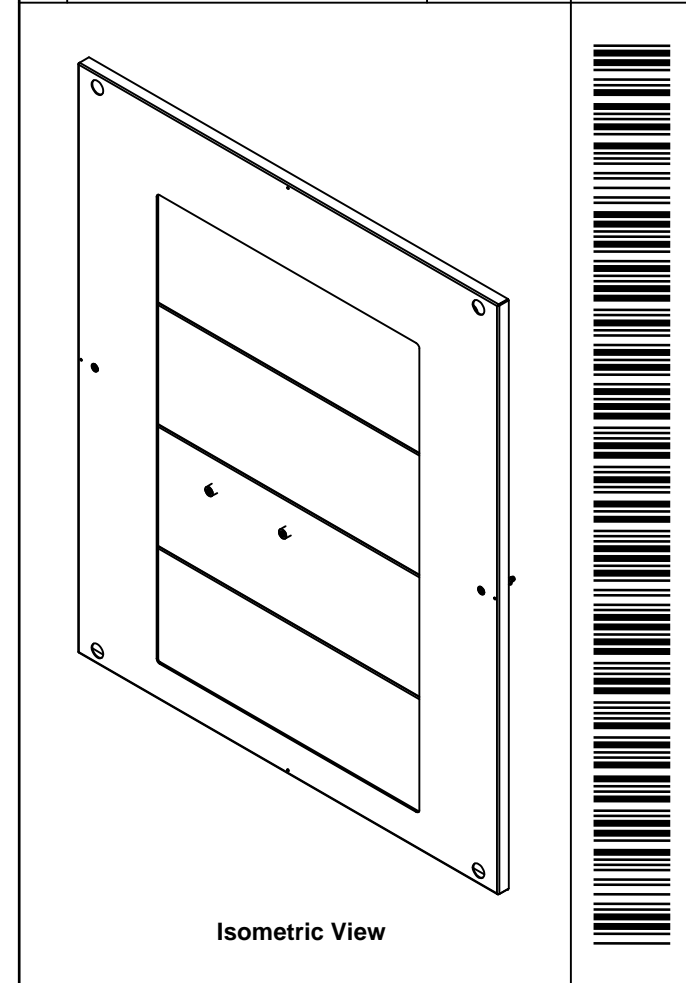


FRONT


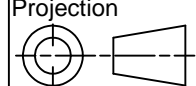


RIGHT

| No. | Revisions | Date | By/Par |
|-----|-----------|------|--------|
|     |           |      |        |
|     |           |      |        |
|     |           |      |        |
|     |           |      |        |
|     |           |      |        |



Isometric View

|  |                                    |   |
|--|------------------------------------|---|
|  Tél: (450) 979-4373<br>Fax: (450) 979-4626<br><a href="http://www.exmweb.com">www.exmweb.com</a> |                                    | Flatness<br>Aplatissement<br>Max 3.0mm<br>Projection<br> |
| Customer Client  | Date                               |   |
| Drawn By / Dessiné Par: BoxCad: Annie  | Date: 07/08/2014                   |   |
| Material / Matière: 16 Ga H.R.P. & O. (1.4mm)  | Color / Couleur: Iron Grey RAL7011 |   |
| Description: 6500 MXB 800mm x 1000mm Bottom  |                                    | Finish / Fini: Rough Textured   |
| Part Number / Numéro Pièce: 6500MXK200810BT  | Detail Rev.:                       | Rev. 1 / 3  |

SEE BILL OF MATERIAL ON LAST PAGE



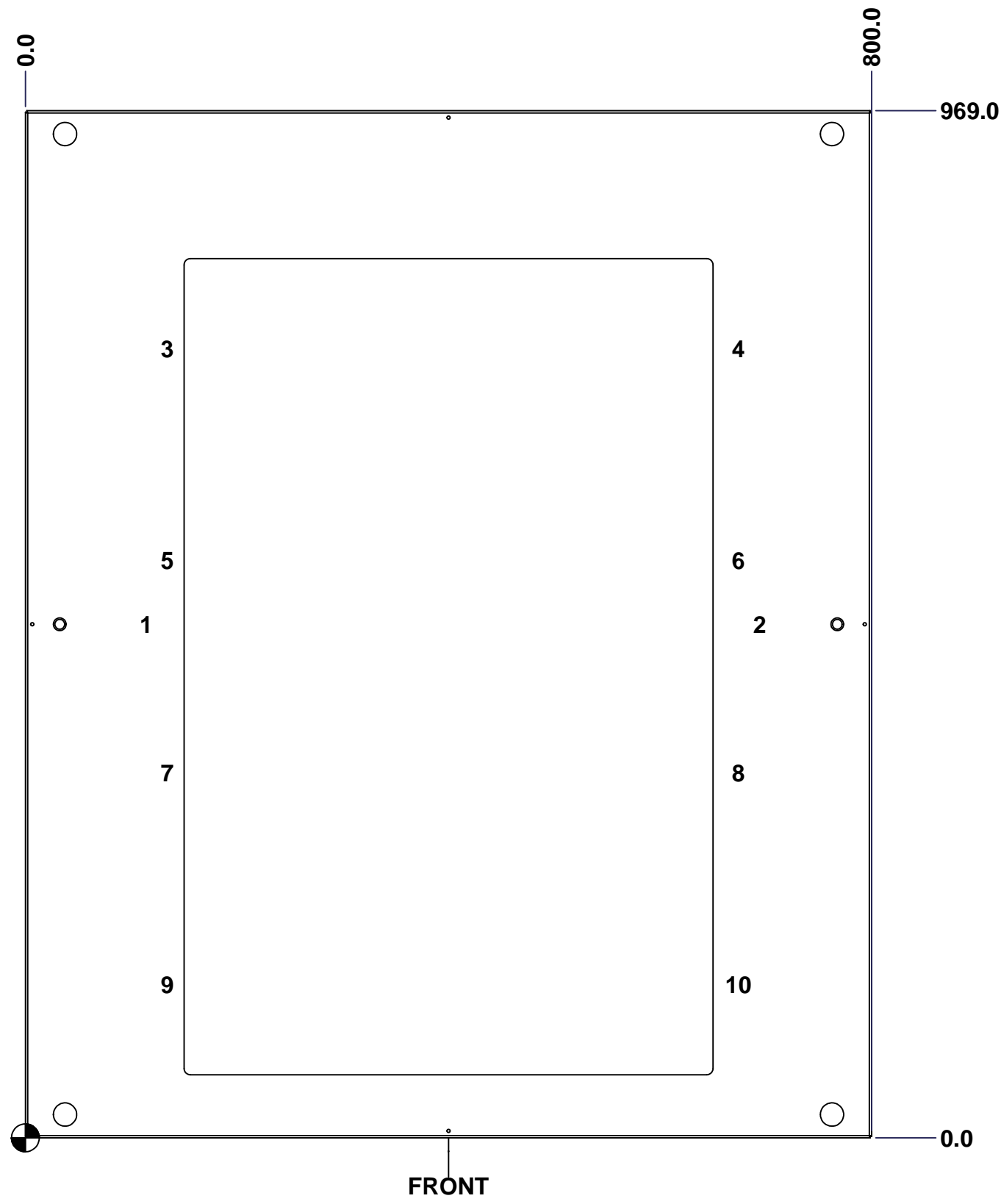
This drawing is confidential and must not be reproduced or used without the consent of EXM

Ce dessin est confidentiel et ne doit pas être reproduit ou utilisé sans le consentement de EXM

**STANDARD FEATURES ARE NOT LISTED IN THIS HOLE TABLE**

**HOLE TABLE - FRONT VIEW (CUSTOM FEATURE ONLY)**

| CUT-OUT | XDIM  | YDIM  | DESCRIPTION                 |
|---------|-------|-------|-----------------------------|
| 1       | 110.0 | 484.5 | GND STUD M6 x 16mm (Inside) |
| 2       | 690.0 | 484.5 | GND STUD M6 x 16mm (Inside) |
| 3       | 130.0 | 744.5 | GP STUD M6 x 10mm (Inside)  |
| 4       | 670.0 | 744.5 | GP STUD M6 x 10mm (Inside)  |
| 5       | 130.0 | 544.5 | GP STUD M6 x 10mm (Inside)  |
| 6       | 670.0 | 544.5 | GP STUD M6 x 10mm (Inside)  |
| 7       | 130.0 | 344.5 | GP STUD M6 x 10mm (Inside)  |
| 8       | 670.0 | 344.5 | GP STUD M6 x 10mm (Inside)  |
| 9       | 130.0 | 144.5 | GP STUD M6 x 10mm (Inside)  |
| 10      | 670.0 | 144.5 | GP STUD M6 x 10mm (Inside)  |

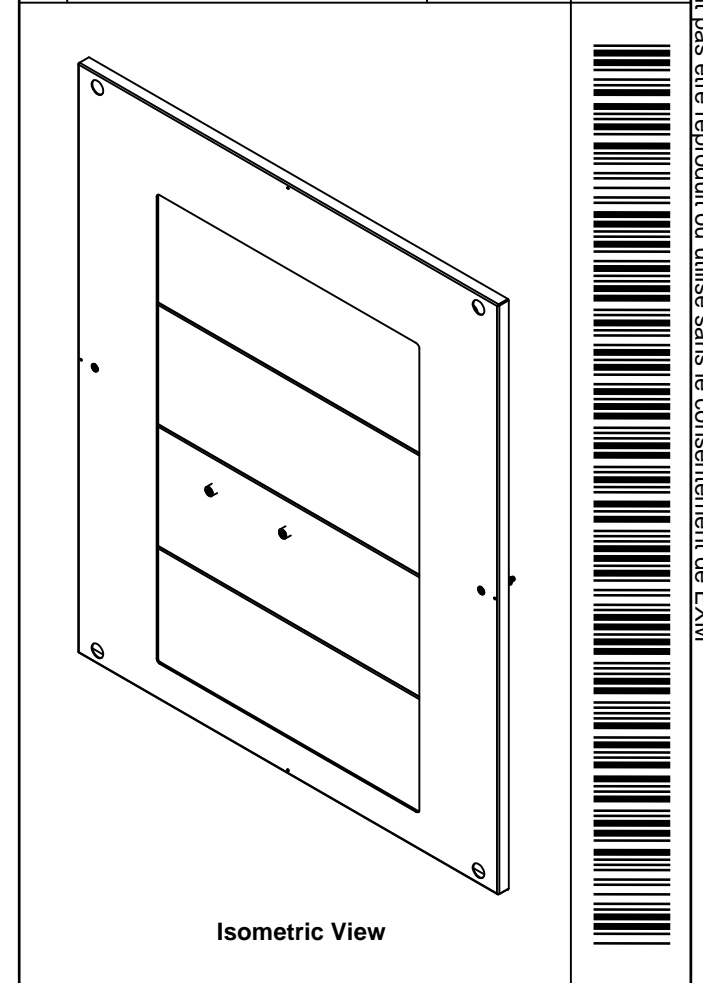


|                             |                                |          |        |
|-----------------------------|--------------------------------|----------|--------|
|                             | Description                    |          | Status |
|                             | 6500 MXB 800mm x 1000mm Bottom |          | (NULL) |
| Part Number<br>Numéro Pièce |                                | Rev.     |        |
| <b>6500MXK200810BT</b>      |                                | <b>0</b> | 2<br>3 |

This drawing is confidential and must not be reproduced or used without the consent of EXM


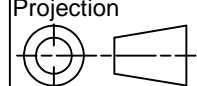
Ce dessin est confidentiel et ne doit pas être reproduit ou utilisé sans le consentement de EXM

| No. | Revisions | Date | By/Par |
|-----|-----------|------|--------|
|     |           |      |        |
|     |           |      |        |
|     |           |      |        |
|     |           |      |        |
|     |           |      |        |



Isometric View

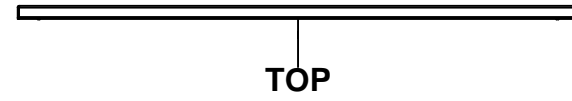
| Qty | Part Number          | Rev | Description                                       |
|-----|----------------------|-----|---|
| 1   | STK-P-03810R         | 0   | Powder Paint (Iron Grey / Rough Textured)         |
| 2   | STK-Q-06001          | 0   | Mtrx - Gland Plate M6 Plastic Thumb Nut           |
| 2   | STK-Q-16055          | 1   | M6 x 18mm Stud (No Paint Cap Required)            |
| 2   | STK-Q-77120          | 1   | 6500MX-Frame Rubber Plug                          |
| 2   | STK-Q-03072          | 2   | M6 x 17mm Phillips Flat Head Screw                |
| 6   |                      |     |   |
| 4   | 6500MXK200810GP200-P | 0   | 6500 MXB 800mm Gland Plate Part (200mm)           |
| 8   | STK-Q-16031          | 0   | M6 x 10mm Stud (No Paint Cap Required)            |
| 1   | 6500MXK200810BTGPG   | 0   | 6500 MXB 800mm x 1000mm Bottom Gland Plate Gasket |
| 1   | 6500MXK200810BTG     | 0   | 6500 MXB 800mm x 1000mm Bottom Gasket             |
| 1   | 6500MXK200810BT-P    | 0   | 6500 MXB 800mm x 1000mm Bottom Part               |
| 2   | STK-K-11010          | 3   | Partial Fixed Bracket Kit                         |
|     |                      |     |   |
|     |                      |     |   |

|  |                           |   |
|--|---------------------------|---|
|  Tél: (450) 979-4373<br>Fax: (450) 979-4626<br><a href="http://www.exmweb.com">www.exmweb.com</a> |                           | Flatness<br>Aplatissement<br>Max 3.0mm<br>Projection<br> |
| Customer<br>Client   | Date                      | Date  |
| Drawn By<br>Dessiné Par  | BoxCad: Annie             | Date 07/08/2014   |
| Material<br>Matière  | 16 Ga H.R.P. & O. (1.4mm) |   |
| Color<br>Couleur   | Iron Grey RAL7011         | Finish<br>Fini<br>Rough<br>Textured   |
| Description  | Detail Rev.               |   |
| 6500 MXB 800mm x 1000mm Bottom   |                           |   |
| Part Number<br>Numéro Pièce  | Rev.                      | 3   |
| <b>6500MXK200810BT</b>   | <b>0</b>                  | <b>3</b>  |

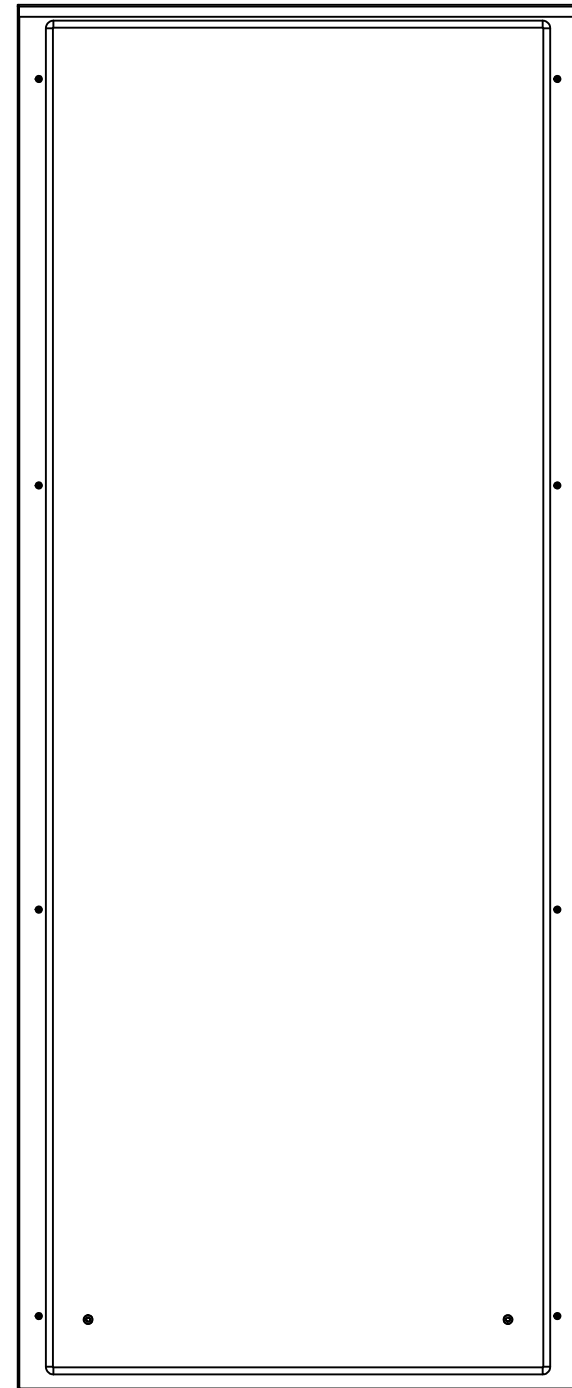
Parts List

This drawing is confidential and must not be reproduced or used without the consent of EXM

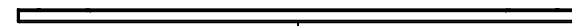
Ce dessin est confidentiel et ne doit pas être reproduit ou utilisé sans le consentement de EXM



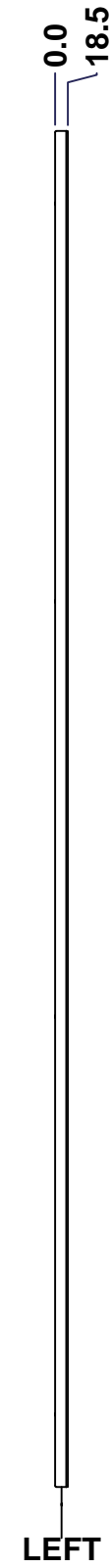
TOP



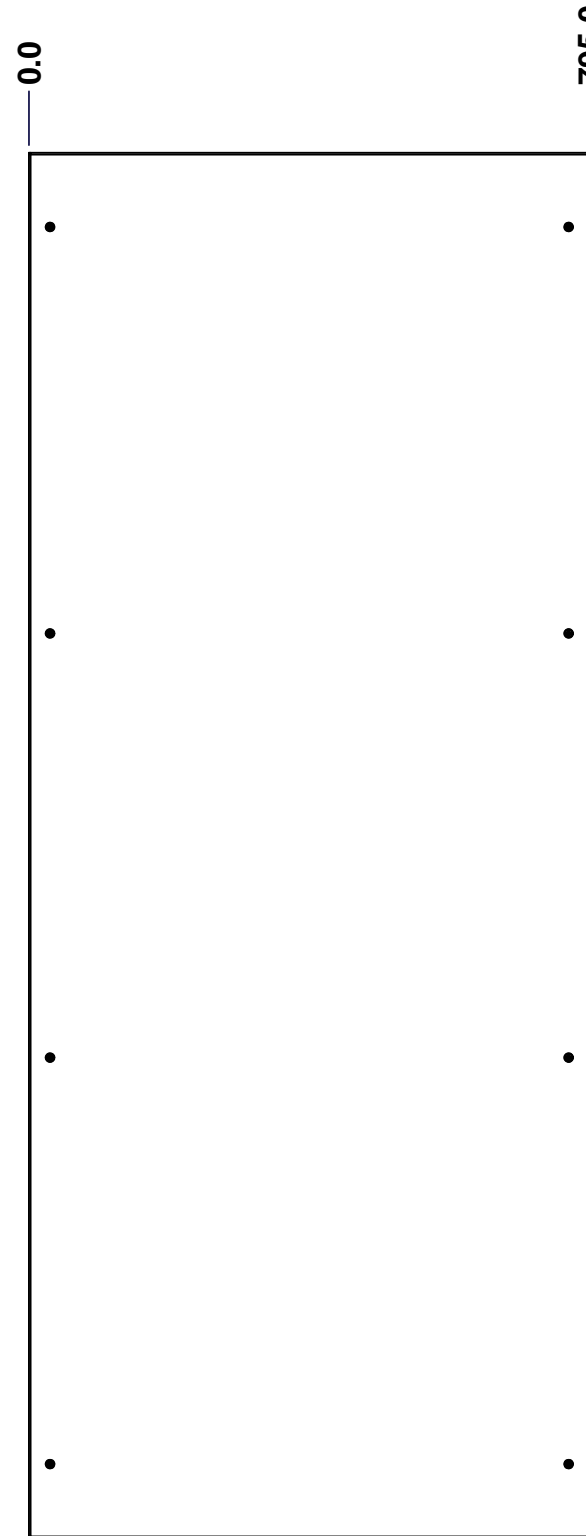
BACK



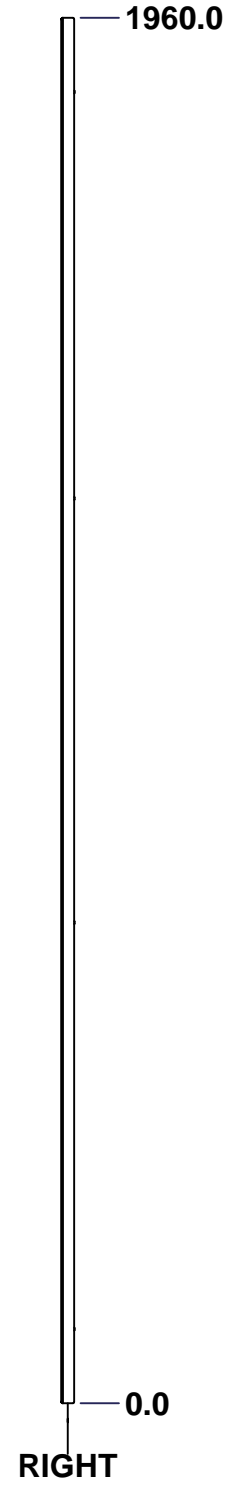
BOTTOM



LEFT



FRONT



RIGHT

| No. | Revisions | Date | By/Par |
|-----|-----------|------|--------|
|     |           |      |        |
|     |           |      |        |
|     |           |      |        |
|     |           |      |        |
|     |           |      |        |

Isometric View

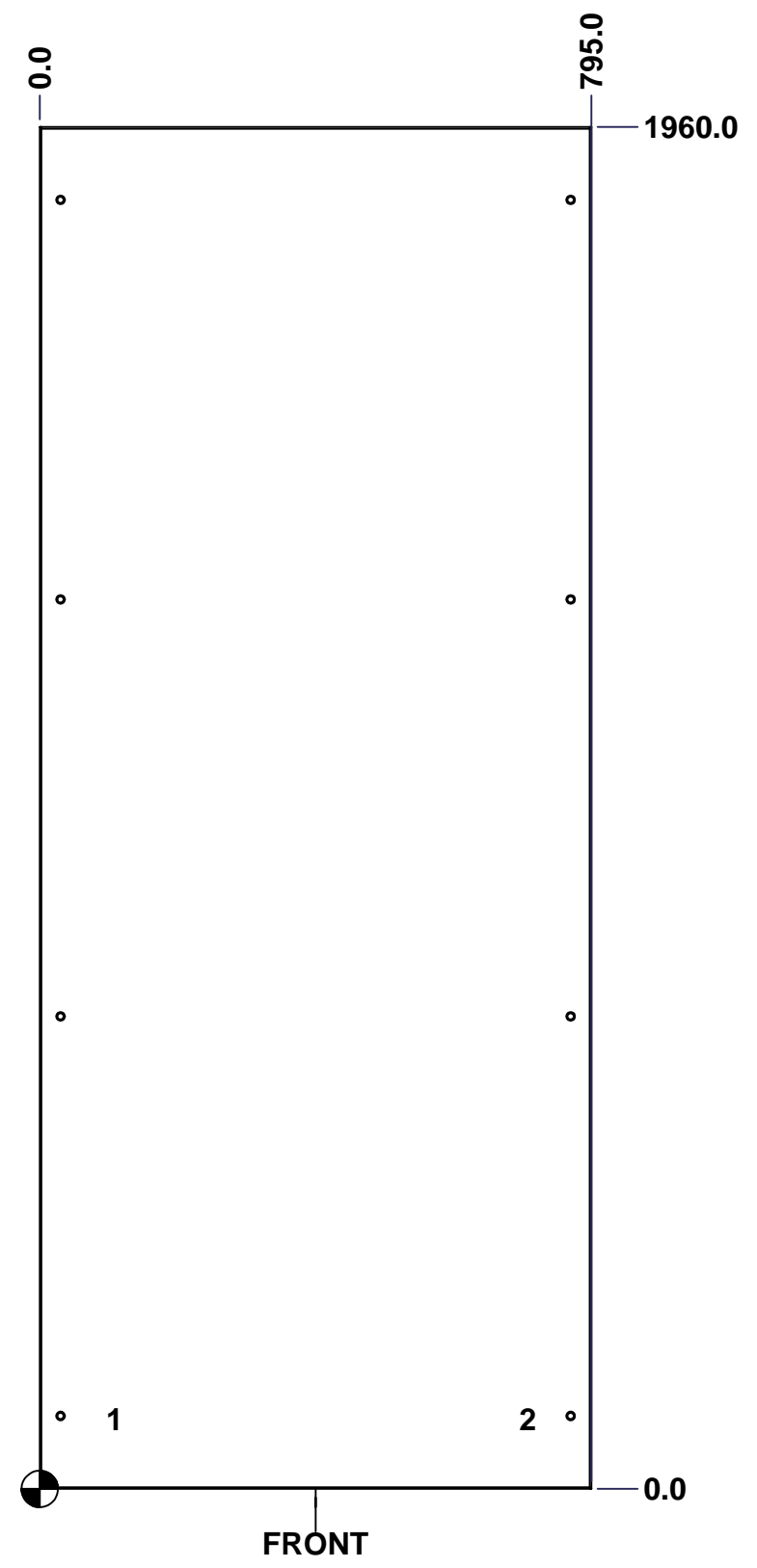
|   |  |                                     |       |
|---|--|-------------------------------------|-------|
| <p>Tél: (450) 979-4373<br/>Fax: (450) 979-4626<br/><a href="http://www.exmweb.com">www.exmweb.com</a></p> |  | Flatness<br>Aplatissement           |       |
|   |  | Max 3.0mm                           |       |
| Customer<br>Client  |  | Projection                          |       |
| Date  |  |                                     |       |
| Drawn By<br>Dessiné Par BoxCad: Annie   |  | Date 07/08/2014                     |       |
| Material<br>Matière 14 Ga H.R.P. & O. (1.7mm)   |  | Color<br>Couleur Light Grey RAL7035 |       |
| Description   |  | Finish<br>Fini Rough Textured       |       |
| 6500 MXR 2000mm x 800mm Back  |  | Detail Rev.                         |       |
| Part Number<br>Numéro Pièce <b>6500MXK200810B</b>   |  | Rev. <b>0</b>                       | 1 / 3 |

SEE BILL OF MATERIAL ON LAST PAGE

This drawing is confidential and must not be reproduced or used without the consent of EXM

Ce dessin est confidentiel et ne doit pas être reproduit ou utilisé sans le consentement de EXM

| STANDARD FEATURES ARE NOT LISTED IN THIS HOLE TABLE |       |       |                             |
|---|-------|-------|-----------------------------|
| HOLE TABLE - FRONT VIEW (CUSTOM FEATURE ONLY)       |       |       |                             |
| CUT-OUT   | XDIM  | YDIM  | DESCRIPTION                 |
| 1   | 100.0 | 100.0 | GND STUD M6 x 16mm (Inside) |
| 2   | 695.0 | 100.0 | GND STUD M6 x 16mm (Inside) |

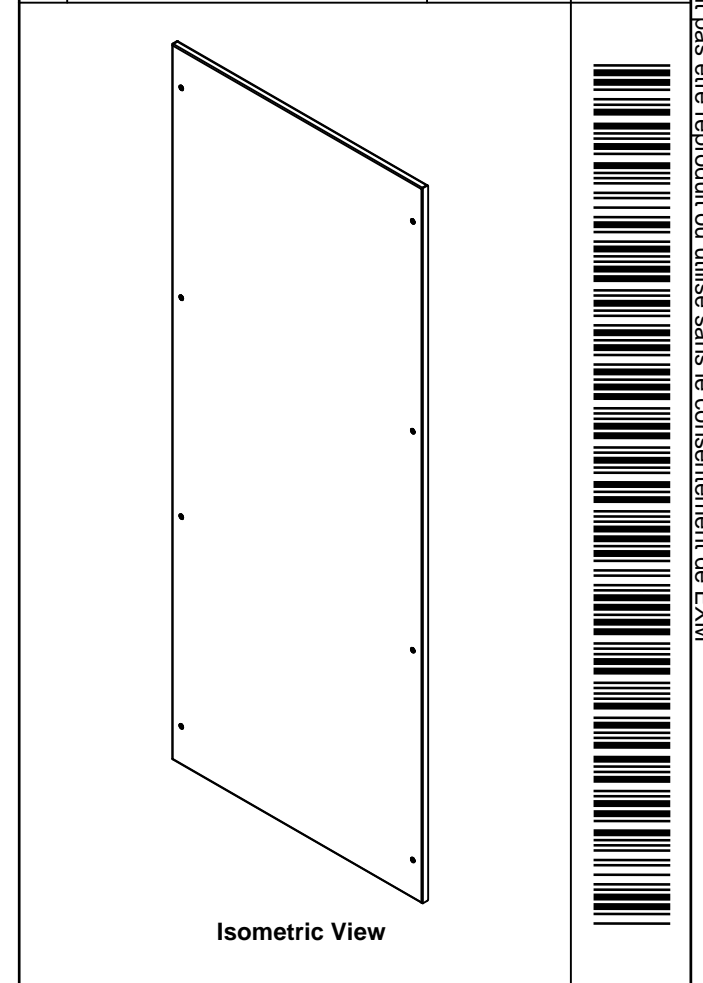



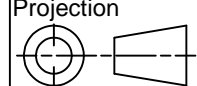
|  |                              |          |
|--|------------------------------|----------|
|  | Description                  | Status   |
|  | 6500 MXR 2000mm x 800mm Back | (NULL)   |
|  | Part Number<br>Numéro Pièce  | Rev.     |
|  | <b>6500MXK200810B</b>        | <b>0</b> |
|  |                              | 2        |
|  |                              | 3        |

This drawing is confidential and must not be reproduced or used without the consent of EXM

Ce dessin est confidentiel et ne doit pas être reproduit ou utilisé sans le consentement de EXM

| No. | Revisions | Date | By/Par |
|-----|-----------|------|--------|
|     |           |      |        |
|     |           |      |        |
|     |           |      |        |
|     |           |      |        |
|     |           |      |        |

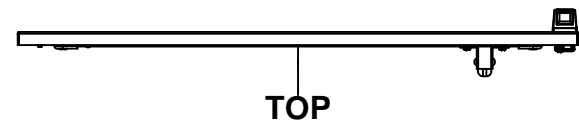


|  |  |   |             |
|--|--|---|-------------|
|  Tél: (450) 979-4373<br>Fax: (450) 979-4626<br><a href="http://www.exmweb.com">www.exmweb.com</a> |  | Flatness<br>Aplatissement<br>Max 3.0mm<br>Projection<br> |             |
| Customer Client  |  | Date  |             |
| Drawn By / Dessiné Par: BoxCad: Annie  |  | Date: 07/08/2014  |             |
| Material / Matière: 14 Ga H.R.P. & O. (1.7mm)  |  |   |             |
| Color / Couleur: Light Grey RAL7035  |  | Finish / Fini: Rough Textured   |             |
| Description: 6500 MXR 2000mm x 800mm Back  |  |   | Detail Rev. |
| Part Number / Numéro Pièce: <b>6500MXK200810B</b>  |  |   | Rev. 3      |

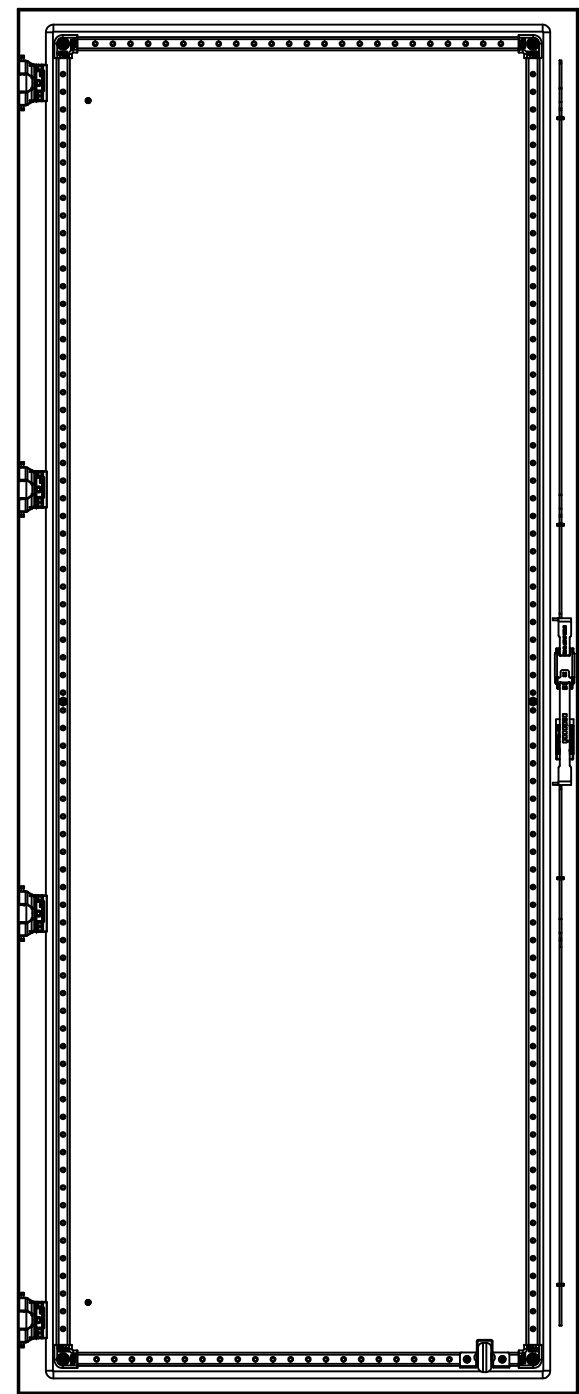
| Qty        | Part Number      | Rev   | Description                                |
|------------|------------------|-------|--|
| 1          | STK-P-03820R     | 0     | Powder Paint (Light Grey / Rough Textured) |
| 8          | STK-Q-03072      | 2     | M6 x 17mm Phillips Flat Head Screw         |
| 2          | STK-Q-16080      | 0.1.1 | M6 x 16mm Ground Stud                      |
| 1          | 6500MXK200810BG  | 0     | 6500 MXR 2000mm x 800mm Back Gasket        |
| 1          | 6500MXK200810B-P | 0     | 6500 MXR 2000mm x 800mm Back Part          |
| Parts List |                  |       |  |

This drawing is confidential and must not be reproduced or used without the consent of EXM

Ce dessin est confidentiel et ne doit pas être reproduit ou utilisé sans le consentement de EXM



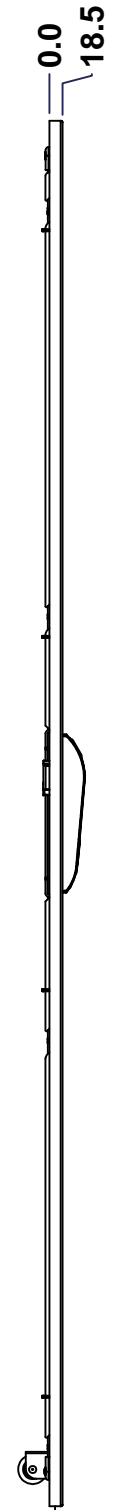
TOP



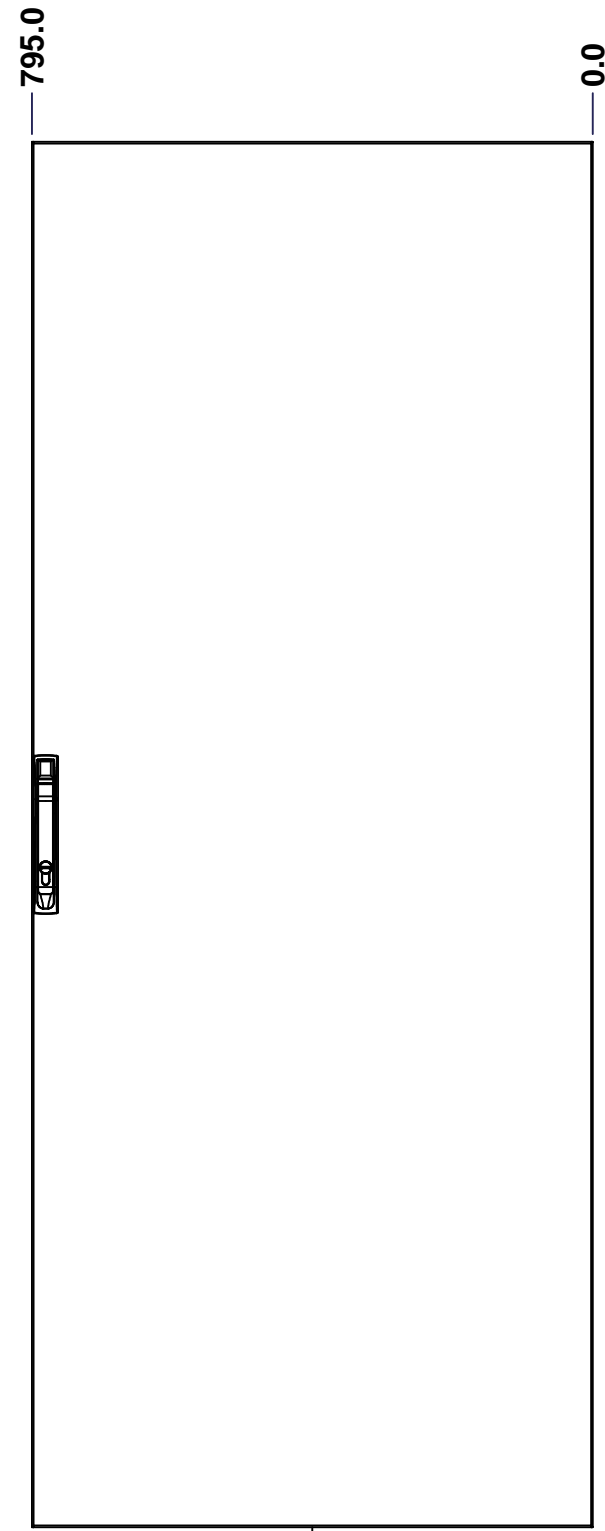
BACK



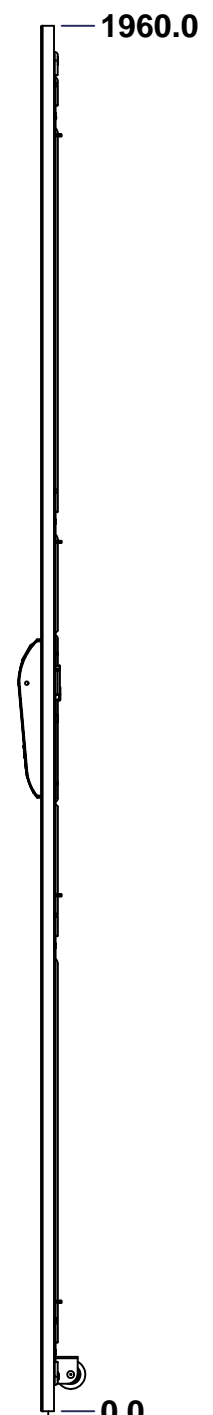
BOTTOM



LEFT

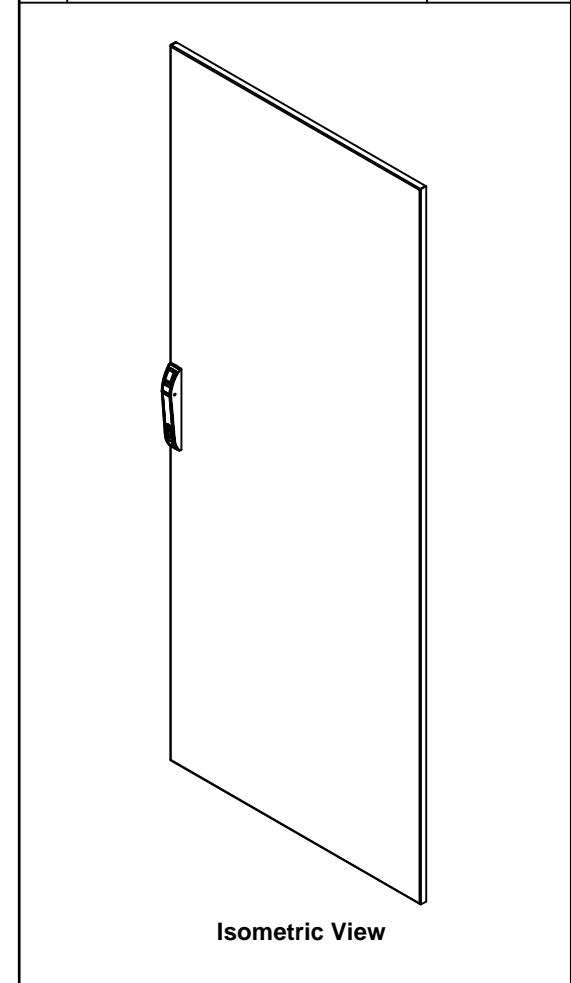


FRONT




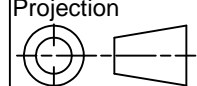
RIGHT

| No. | Revisions | Date | By/Par |
|-----|-----------|------|--------|
|     |           |      |        |
|     |           |      |        |
|     |           |      |        |
|     |           |      |        |
|     |           |      |        |



Isometric View



|  |                           |   |
|--|---------------------------|---|
|  Tél: (450) 979-4373<br>Fax: (450) 979-4626<br><a href="http://www.exmweb.com">www.exmweb.com</a> |                           | Flatness<br>Aplatissement<br>Max 3.0mm<br>Projection<br> |
| Customer Client  | Date                      |   |
| Drawn By<br>Dessiné Par  | BoxCad: Annie             | Date 07/08/2014   |
| Material<br>Matière  | 14 Ga H.R.P. & O. (1.7mm) |   |
| Color<br>Couleur   | Light Grey RAL7035        | Finish<br>Fin<br>Rough Textured   |
| Description  |                           | Detail Rev.   |
| 6500 MXD 2000mm x 800mm Front  |                           |   |
| Part Number<br>Numéro Pièce  | Rev. 0                    | 1 / 3   |
| <b>6500MXK200810F</b>  |                           |   |

SEE BILL OF MATERIAL ON LAST PAGE

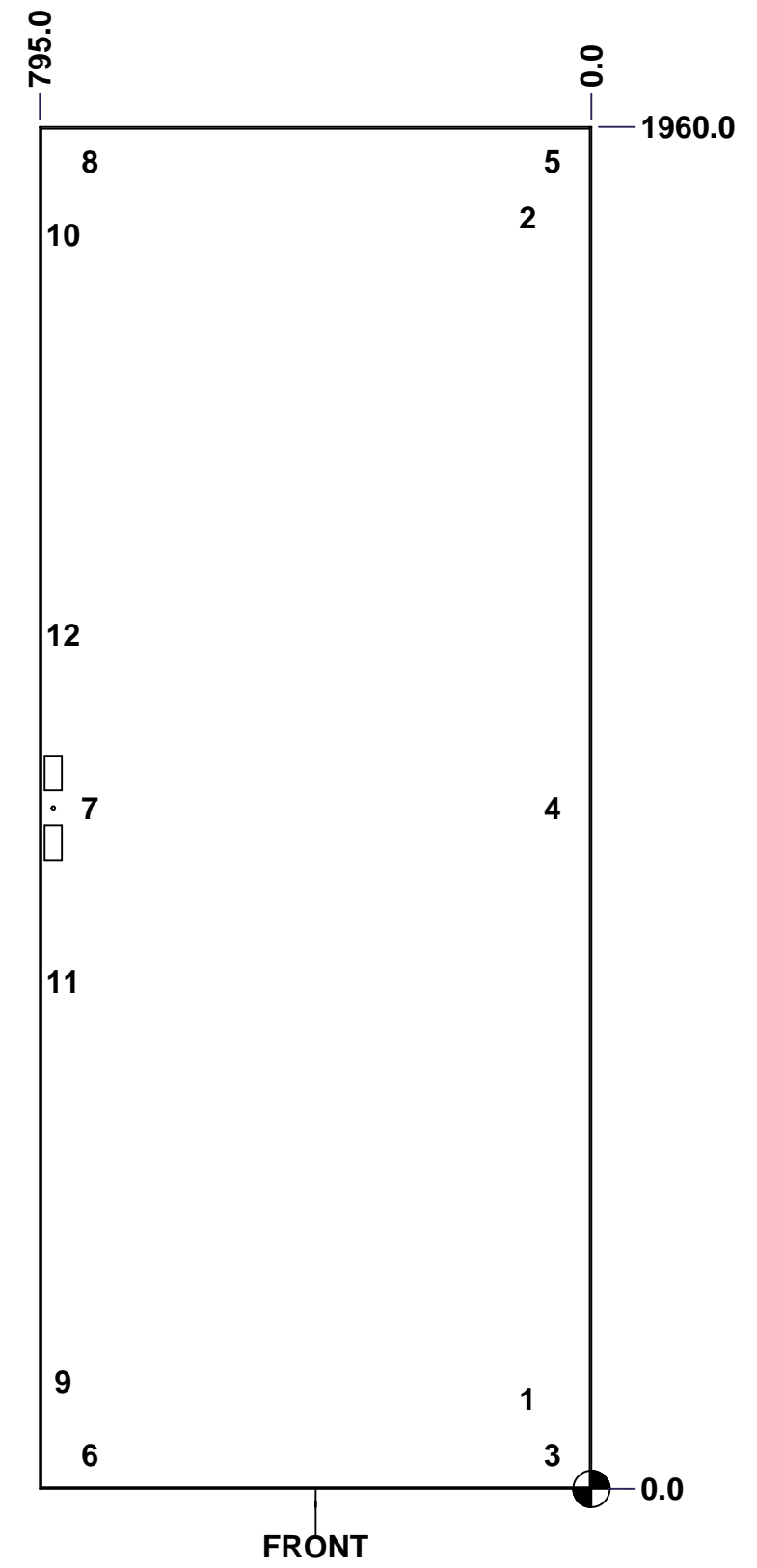
This drawing is confidential and must not be reproduced or used without the consent of EXM

Ce dessin est confidentiel et ne doit pas être reproduit ou utilisé sans le consentement de EXM

**STANDARD FEATURES ARE NOT LISTED IN THIS HOLE TABLE**

**HOLE TABLE - FRONT VIEW (CUSTOM FEATURE ONLY)**

| CUT-OUT | XDIM  | YDIM   | DESCRIPTION                    |
|---------|-------|--------|--------------------------------|
| 1       | 100.0 | 130.0  | GND STUD M6 x 16mm (Inside)    |
| 2       | 100.0 | 1830.0 | GND STUD M6 x 16mm (Inside)    |
| 3       | 64.5  | 49.5   | STIFF. STUD M6 x 18mm (Inside) |
| 4       | 64.5  | 980.0  | STIFF. STUD M6 x 18mm (Inside) |
| 5       | 64.5  | 1910.5 | STIFF. STUD M6 x 18mm (Inside) |
| 6       | 730.5 | 49.5   | STIFF. STUD M6 x 18mm (Inside) |
| 7       | 730.5 | 980.0  | STIFF. STUD M6 x 18mm (Inside) |
| 8       | 730.5 | 1910.5 | STIFF. STUD M6 x 18mm (Inside) |
| 9       | 769.5 | 155.0  | CLOSING BAR GUIDE (Inside)     |
| 10      | 769.5 | 1805.0 | CLOSING BAR GUIDE (Inside)     |
| 11      | 769.5 | 730.0  | CLOSING BAR GUIDE (Inside)     |
| 12      | 769.5 | 1230.0 | CLOSING BAR GUIDE (Inside)     |

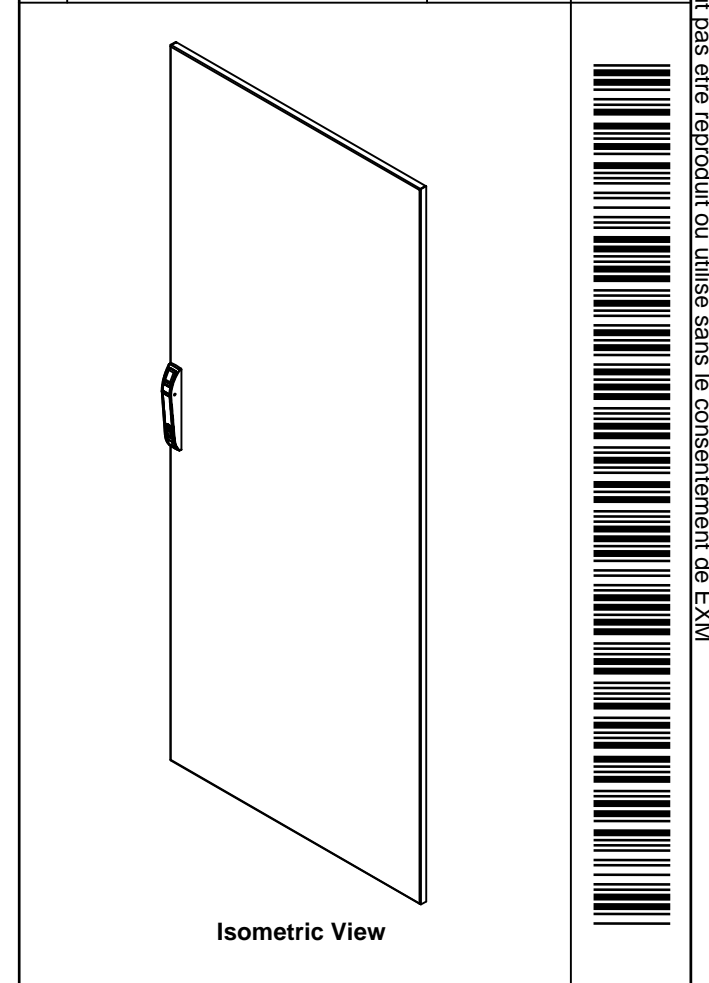


|  |                               |          |
|--|-------------------------------|----------|
|  | Description                   | Status   |
|  | 6500 MXD 2000mm x 800mm Front | (NULL)   |
|  | Part Number<br>Numéro Pièce   | Rev.     |
|  | <b>6500MXK200810F</b>         | <b>0</b> |
|  |                               | 2        |
|  |                               | 3        |


This drawing is confidential and must not be reproduced or used without the consent of EXM

Ce dessin est confidentiel et ne doit pas être reproduit ou utilisé sans le consentement de EXM

| No. | Revisions | Date | By/Par |
|-----|-----------|------|--------|
|     |           |      |        |
|     |           |      |        |
|     |           |      |        |
|     |           |      |        |
|     |           |      |        |



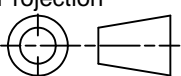
| 1          | STK-P-03820R     | 0   | Powder Paint (Light Grey / Rough Textured) |
|------------|------------------|-----|--|
| 1          | 6500MXSRK        | 1   | 6500 MXRSK Door Support Roller             |
| 4          | STK-Q-78022      | 0   | Mtrx Closing Bar Slider                    |
| 1          | STK-Q-45746-20   | 1   | 6500 MXD - Lock Door Closing Bar           |
| 4          | STK-Q-33105      | 4   | 5412 ESBU Buttable Hinge (Cover Part)      |
| 1          | STK-Q-45729-20   | 2   | 6500 MXD - Lock Door Top Closing Bar       |
| 1          | 886PHD-S         | 4   | Euroform Pull Handle Kit                   |
| 8          | STK-Q-16055      | 1   | M6 x 18mm Stud (No Paint Cap Required)     |
| 1          | 6500MXK200810DS1 | 5   | 6500 MX 2000mm x 800mm Door Stiffener      |
| 1          | 6500MXK200810FG  | 0   | 6500 MXD 2000mm x 800mm Front Gasket       |
| 1          | 6500MXK200810F-P | 0   | 6500 MXD 2000mm x 800mm Front Part         |
| 4          | STK-K-06811      | 1   | 6500 MX - Hinge Assy                       |
| Qty        | Part Number      | Rev | Description                                |
| Parts List |                  |     |  |



Tél: (450) 979-4373  
Fax: (450) 979-4626  
[www.exmweb.com](http://www.exmweb.com)

Flatness  
Aplatissement  
Max 3.0mm

Projection

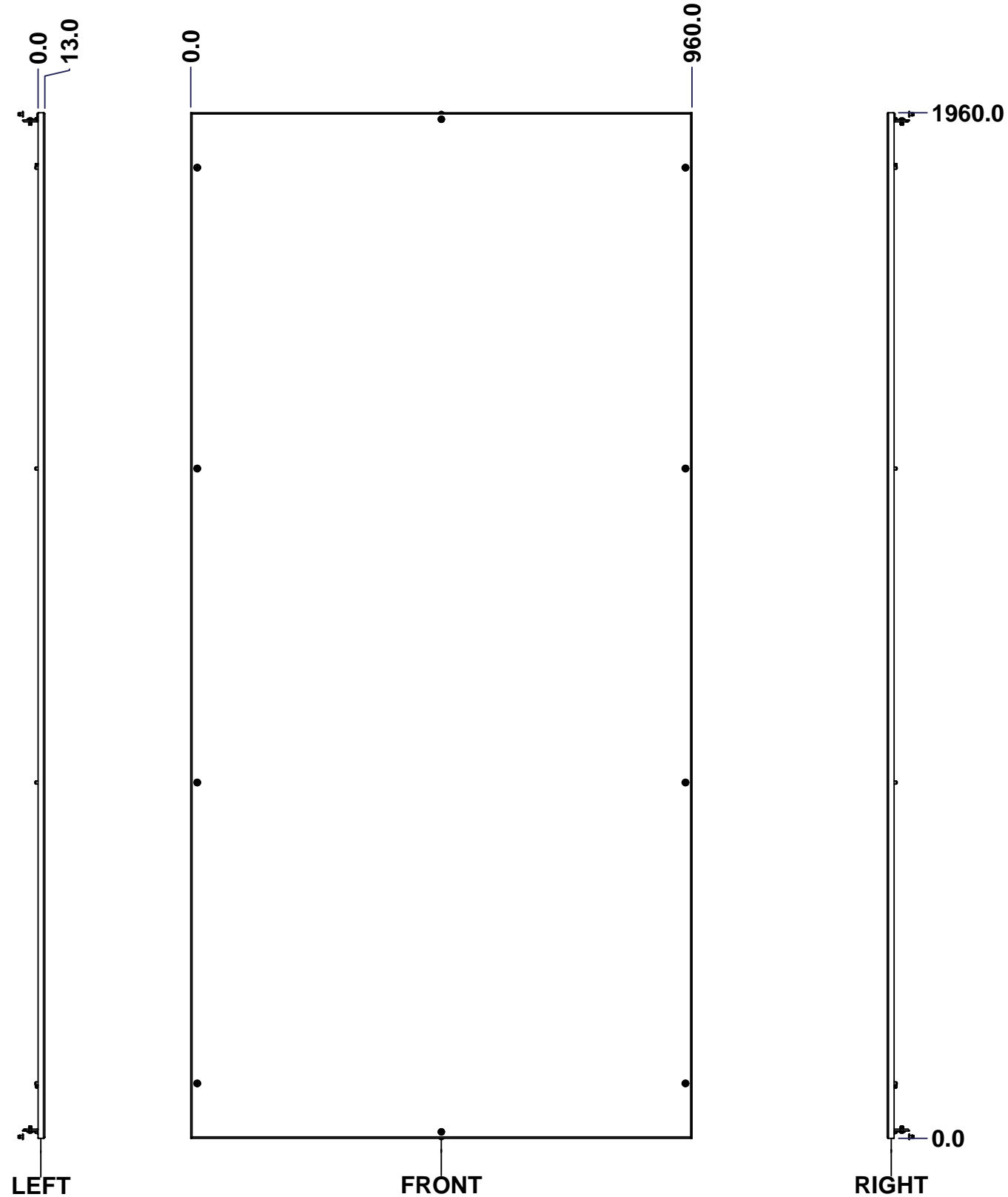
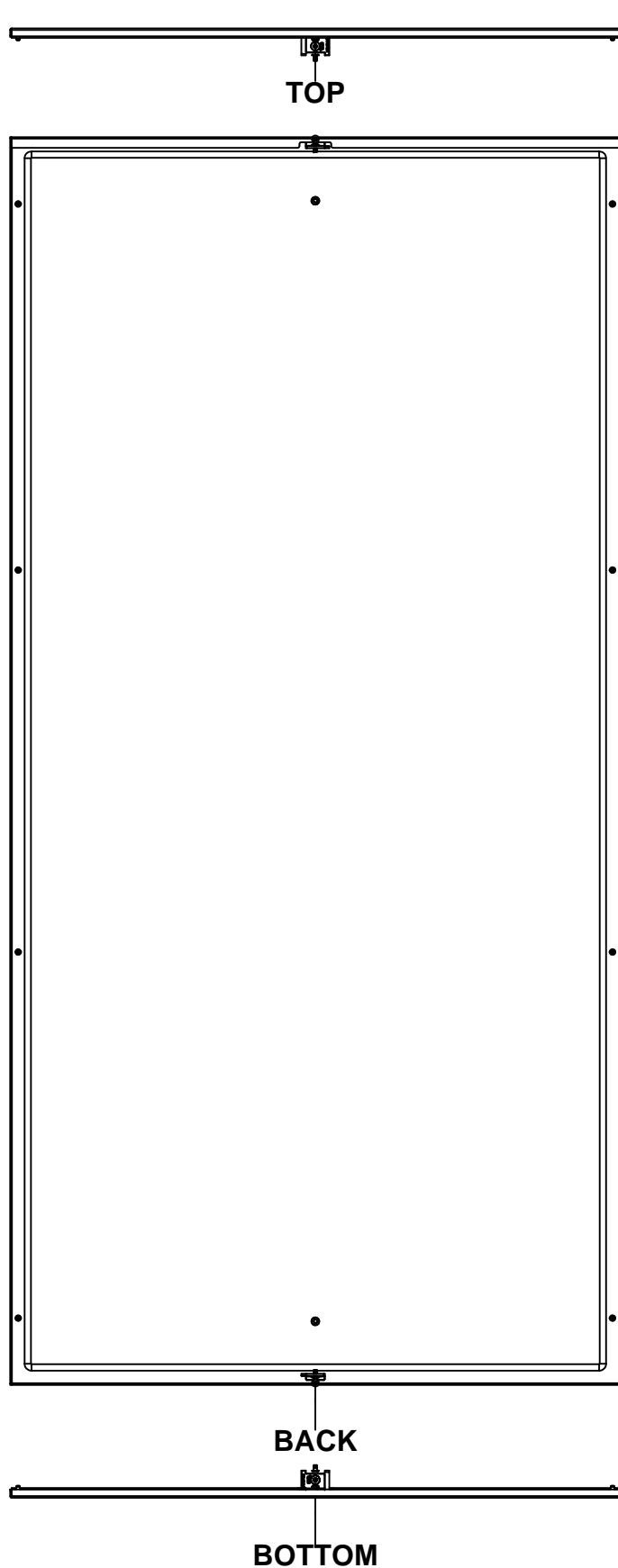


|  |                    |                                 |
|--|--------------------|---------------------------------|
| Customer Client                                      |                    | Date                            |
| Drawn By<br>Dessiné Par                              | BoxCad: Annie      | Date 07/08/2014                 |
| Material<br>Matière<br>14 Ga H.R.P. & O. (1.7mm)     |                    |                                 |
| Color<br>Couleur                                     | Light Grey RAL7035 | Finish<br>Fin<br>Rough Textured |
| Description<br>6500 MXD 2000mm x 800mm Front         |                    | Detail Rev.                     |
| Part Number<br>Numéro Pièce<br><b>6500MXK200810F</b> |                    | Rev. 3<br><b>0</b>              |

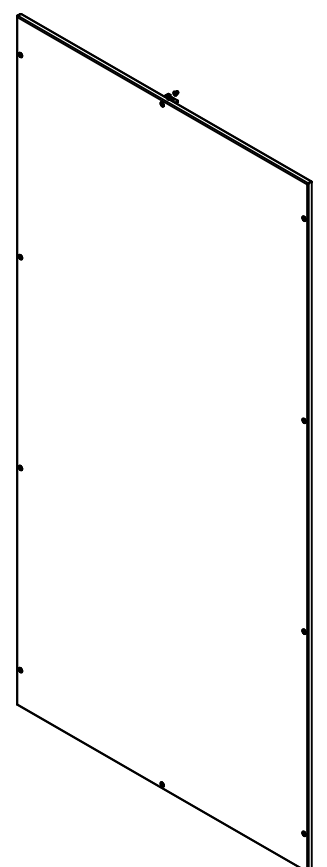


This drawing is confidential and must not be reproduced or used without the consent of EXM


Ce dessin est confidentiel et ne doit pas être reproduit ou utilisé sans le consentement de EXM


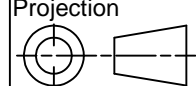


| No. | Revisions | Date | By/Par |
|-----|-----------|------|--------|
|     |           |      |        |
|     |           |      |        |
|     |           |      |        |
|     |           |      |        |
|     |           |      |        |



Isometric View



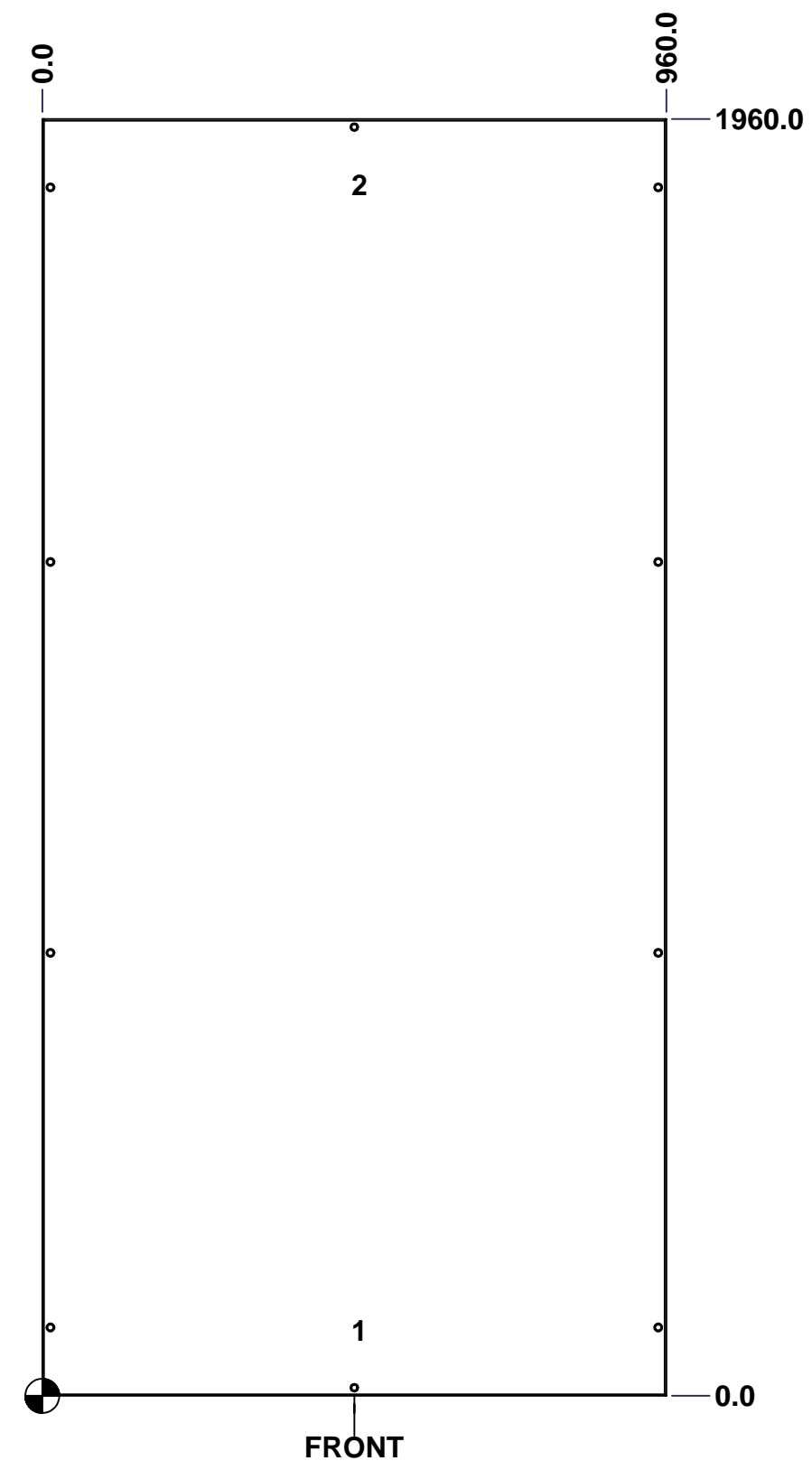
|  |  |   |  |
|--|--|---|--|
|  Tél: (450) 979-4373<br>Fax: (450) 979-4626<br><a href="http://www.exmweb.com">www.exmweb.com</a> |  | Flatness<br>Aplatissement   |  |
|  |  | Max 3.0mm   |  |
| Customer<br>Client   |  | Projection  |  |
| Date   |  |  |  |
| Drawn By<br>Dessiné Par  |  | Date  |  |
| BoxCad: Annie  |  | 07/08/2014  |  |
| Material<br>Matière  |  | 14 Ga H.R.P. & O. (1.7mm)   |  |
| Color<br>Couleur   |  | Finish<br>Fin   |  |
| Light Grey RAL7035   |  | Rough<br>Textured   |  |
| Description  |  | Detail Rev.   |  |
| 6500 MXC 2000mm x 1000mm Left  |  |   |  |
| Part Number<br>Numéro Pièce  |  | Rev.  |  |
| 6500MXK200810L   |  | 0   |  |
|  |  | 1   |  |
|  |  | 3   |  |

SEE BILL OF MATERIAL ON LAST PAGE

This drawing is confidential and must not be reproduced or used without the consent of EXM

Ce dessin est confidentiel et ne doit pas être reproduit ou utilisé sans le consentement de EXM

| STANDARD FEATURES ARE NOT LISTED IN THIS HOLE TABLE |       |        |                             |
|---|-------|--------|-----------------------------|
| HOLE TABLE - FRONT VIEW (CUSTOM FEATURE ONLY)       |       |        |                             |
| CUT-OUT   | XDIM  | YDIM   | DESCRIPTION                 |
| 1   | 480.0 | 100.0  | GND STUD M6 x 16mm (Inside) |
| 2   | 480.0 | 1860.0 | GND STUD M6 x 16mm (Inside) |

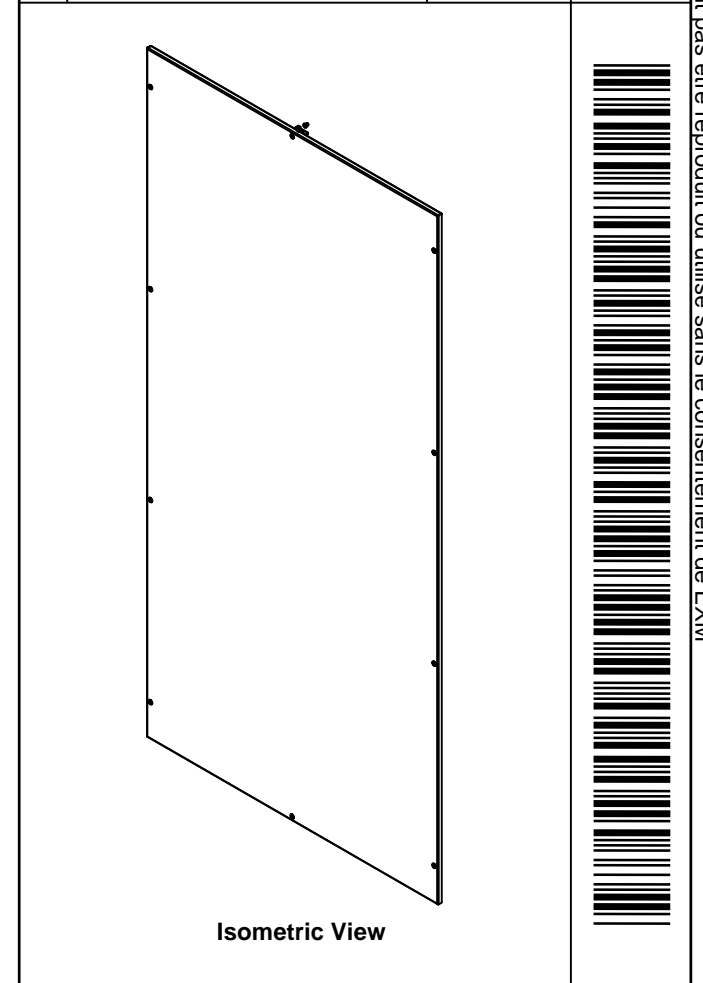



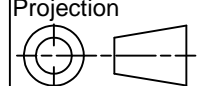
|  |                               |          |
|--|-------------------------------|----------|
|  | Description                   | Status   |
|  | 6500 MXC 2000mm x 1000mm Left | (NULL)   |
|  | Part Number<br>Numéro Pièce   | Rev.     |
|  | <b>6500MXK200810L</b>         | <b>0</b> |
|  |                               | 2        |
|  |                               | 3        |

This drawing is confidential and must not be reproduced or used without the consent of EXM

Ce dessin est confidentiel et ne doit pas être reproduit ou utilisé sans le consentement de EXM

| No. | Revisions | Date | By/Par |
|-----|-----------|------|--------|
|     |           |      |        |
|     |           |      |        |
|     |           |      |        |
|     |           |      |        |
|     |           |      |        |

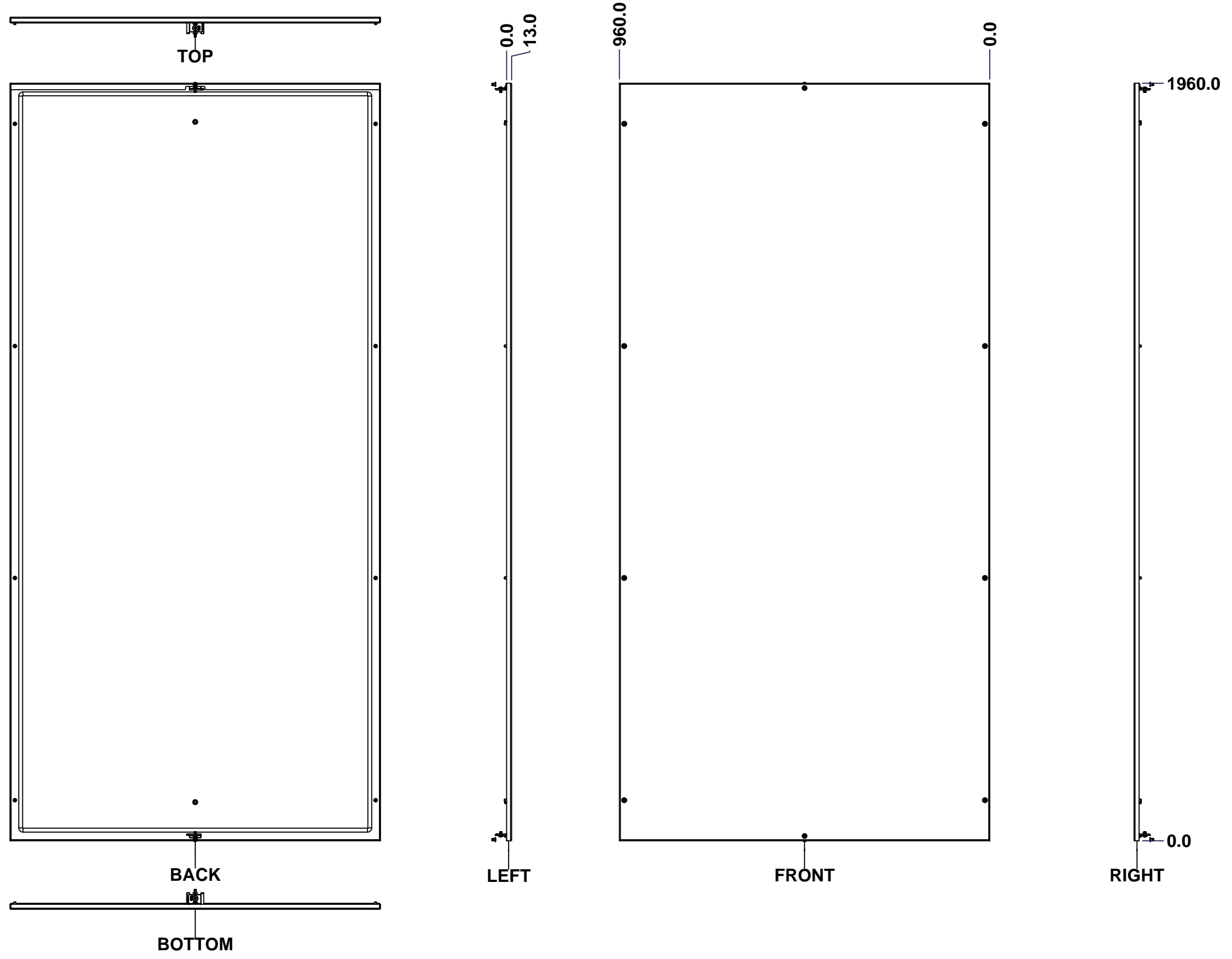


|  |  |   |             |
|--|--|---|-------------|
|  Tél: (450) 979-4373<br>Fax: (450) 979-4626<br><a href="http://www.exmweb.com">www.exmweb.com</a> |  | Flatness<br>Aplatissement<br>Max 3.0mm<br>Projection<br> |             |
| Customer Client  |  | Date  |             |
| Drawn By<br>Dessiné Par BoxCad: Annie  |  | Date 07/08/2014   |             |
| Material<br>Matière 14 Ga H.R.P. & O. (1.7mm)  |  |   |             |
| Color<br>Couleur Light Grey RAL7035  |  | Finish<br>Fini Rough Textured   |             |
| Description<br>6500 MXC 2000mm x 1000mm Left   |  |   | Detail Rev. |
| Part Number<br>Numéro Pièce <b>6500MXK200810L</b>  |  |   | Rev. 3      |

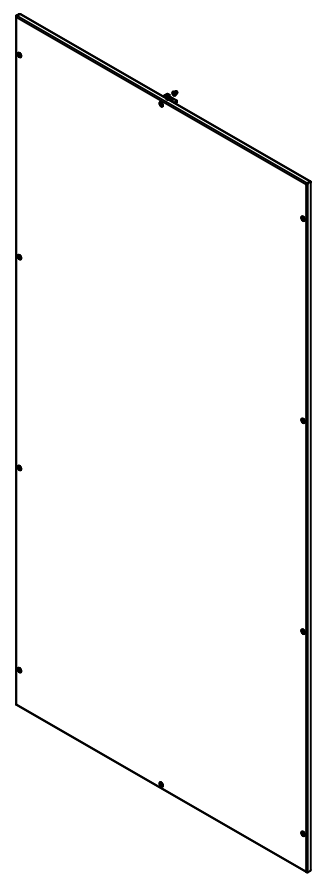
| Qty        | Part Number      | Rev   | Description                                |
|------------|------------------|-------|--|
| 1          | STK-P-03820R     | 0     | Powder Paint (Light Grey / Rough Textured) |
| 2          | STK-Q-77120      | 1     | 6500MX-Frame Rubber Plug                   |
| 10         | STK-Q-03072      | 2     | M6 x 17mm Phillips Flat Head Screw         |
| 2          | STK-Q-16080      | 0.1.1 | M6 x 16mm Ground Stud                      |
| 1          | 6500MXK200810LG  | 0     | 6500 MXC 2000mm x 1000mm Left Gasket       |
| 1          | 6500MXK200810L-P | 0     | 6500 MXC 2000mm x 1000mm Left Part         |
| 2          | STK-K-11010      | 3     | Partial Fixed Bracket Kit                  |
| Parts List |                  |       |  |

This drawing is confidential and must not be reproduced or used without the consent of EXM


Ce dessin est confidentiel et ne doit pas être reproduit ou utilisé sans le consentement de EXM


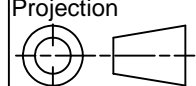


| No. | Revisions | Date | By/Par |
|-----|-----------|------|--------|
|     |           |      |        |
|     |           |      |        |
|     |           |      |        |
|     |           |      |        |



**Isometric View**



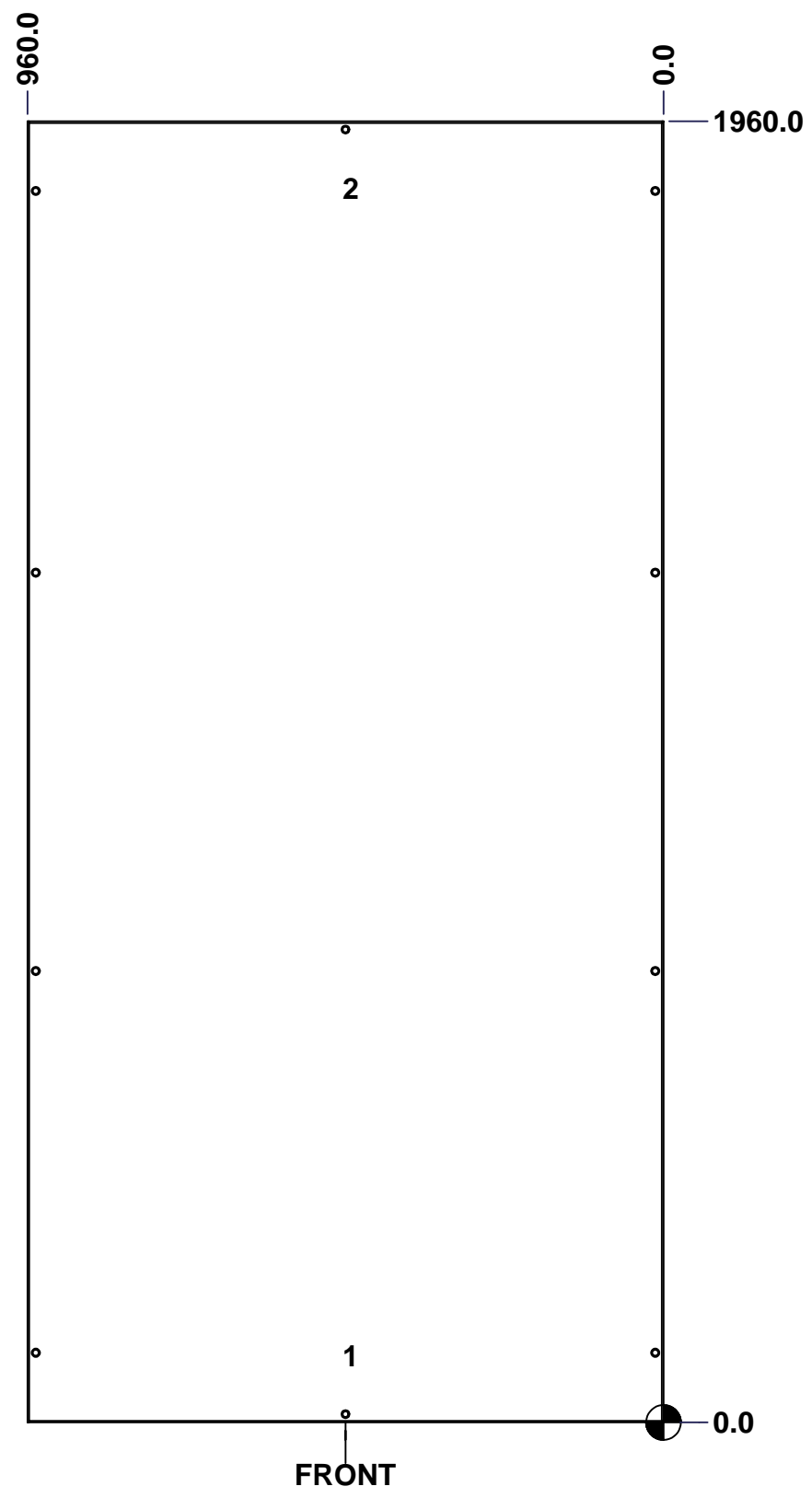
|  |  |   |  |
|--|--|---|--|
|  Tél: (450) 979-4373<br>Fax: (450) 979-4626<br><a href="http://www.exmweb.com">www.exmweb.com</a> |  | Flatness<br>Aplatissement   |  |
|  |  | Max 3.0mm   |  |
| Customer<br>Client   |  | Projection  |  |
| Date   |  |  |  |
| Drawn By<br>Dessiné Par  |  | Date  |  |
| BoxCad: Annie  |  | 07/08/2014  |  |
| Material<br>Matière  |  | 14 Ga H.R.P. & O. (1.7mm)   |  |
| Color<br>Couleur   |  | Finish<br>Fin   |  |
| Light Grey RAL7035   |  | Rough<br>Textured   |  |
| Description  |  | Detail Rev.   |  |
| 6500 MXC 2000mm x 1000mm Right   |  |   |  |
| Part Number<br>Numéro Pièce  |  | Rev.  |  |
| 6500MXK200810R   |  | 0   |  |
|  |  | 1   |  |
|  |  | 3   |  |

SEE BILL OF MATERIAL ON LAST PAGE

This drawing is confidential and must not be reproduced or used without the consent of EXM

Ce dessin est confidentiel et ne doit pas être reproduit ou utilisé sans le consentement de EXM

| STANDARD FEATURES ARE NOT LISTED IN THIS HOLE TABLE |       |        |                             |
|---|-------|--------|-----------------------------|
| HOLE TABLE - FRONT VIEW (CUSTOM FEATURE ONLY)       |       |        |                             |
| CUT-OUT   | XDIM  | YDIM   | DESCRIPTION                 |
| 1   | 480.0 | 100.0  | GND STUD M6 x 16mm (Inside) |
| 2   | 480.0 | 1860.0 | GND STUD M6 x 16mm (Inside) |

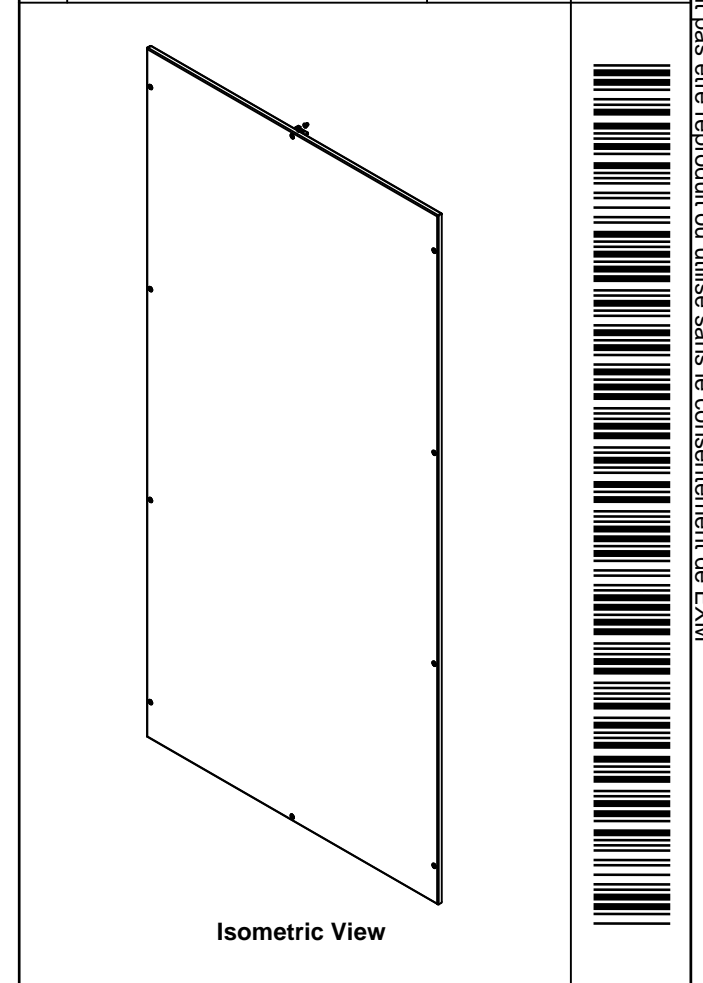



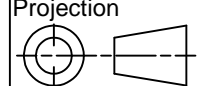
|                             |                                |          |        |  |
|-----------------------------|--------------------------------|----------|--------|--|
|                             | Description                    |          | Status |  |
|                             | 6500 MXC 2000mm x 1000mm Right |          | (NULL) |  |
| Part Number<br>Numéro Pièce |                                | Rev.     | 2      |  |
| <b>6500MXK200810R</b>       |                                | <b>0</b> | 3      |  |

This drawing is confidential and must not be reproduced or used without the consent of EXM

Ce dessin est confidentiel et ne doit pas être reproduit ou utilisé sans le consentement de EXM

| No. | Revisions | Date | By/Par |
|-----|-----------|------|--------|
|     |           |      |        |
|     |           |      |        |
|     |           |      |        |
|     |           |      |        |
|     |           |      |        |



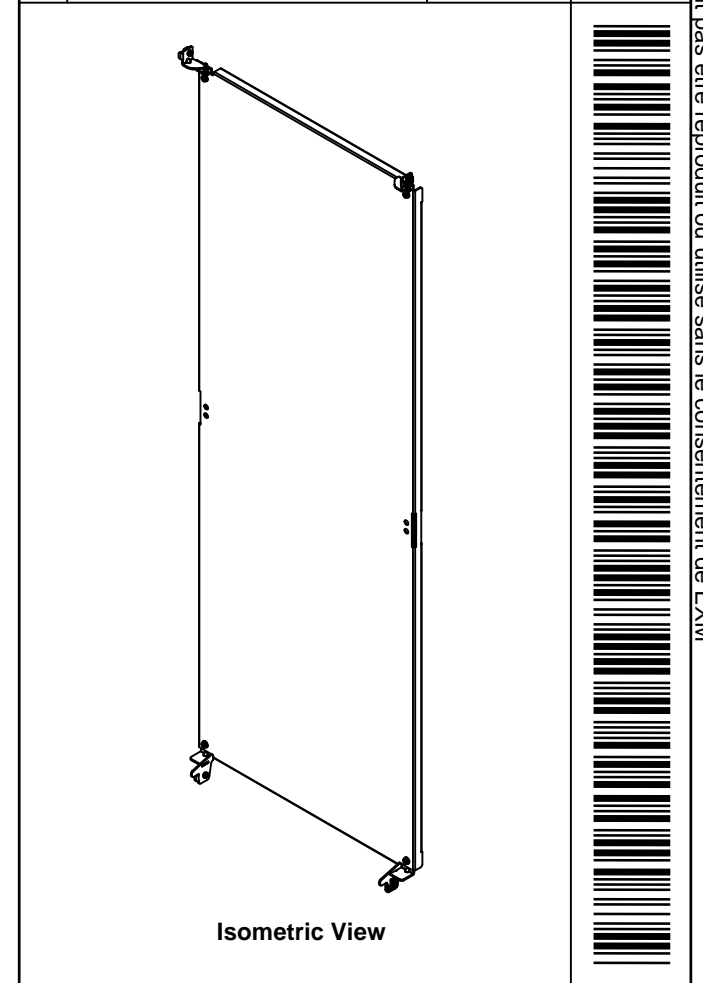
|  |  |   |               |
|--|--|---|---------------|
|  Tél: (450) 979-4373<br>Fax: (450) 979-4626<br><a href="http://www.exmweb.com">www.exmweb.com</a> |  | Flatness<br>Aplatissement<br>Max 3.0mm<br>Projection<br> |               |
| Customer Client  |  | Date  |               |
| Drawn By<br>Dessiné Par BoxCad: Annie  |  | Date 07/08/2014   |               |
| Material<br>Matière 14 Ga H.R.P. & O. (1.7mm)  |  |   |               |
| Color<br>Couleur Light Grey RAL7035  |  | Finish<br>Fini Rough Textured   |               |
| Description<br>6500 MXC 2000mm x 1000mm Right  |  |   | Detail Rev.   |
| Part Number<br>Numéro Pièce <b>6500MXK200810R</b>  |  |   | Rev. <b>0</b> |


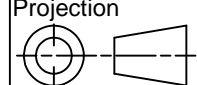
| Qty        | Part Number      | Rev  | Description                                |
|------------|------------------|------|--|
| 1          | STK-P-03820R     | 0    | Powder Paint (Light Grey / Rough Textured) |
| 2          | STK-Q-77120      | 1    | 6500MX-Frame Rubber Plug                   |
| 10         | STK-Q-03072      | 2    | M6 x 17mm Phillips Flat Head Screw         |
| 2          | STK-Q-16080      | 0.1. | M6 x 16mm Ground Stud                      |
| 1          | 6500MXK200810LG  | 0    | 6500 MXC 2000mm x 1000mm Left Gasket       |
| 1          | 6500MXK200810L-P | 0    | 6500 MXC 2000mm x 1000mm Left Part         |
| 2          | STK-K-11010      | 3    | Partial Fixed Bracket Kit                  |
| Parts List |                  |      |  |

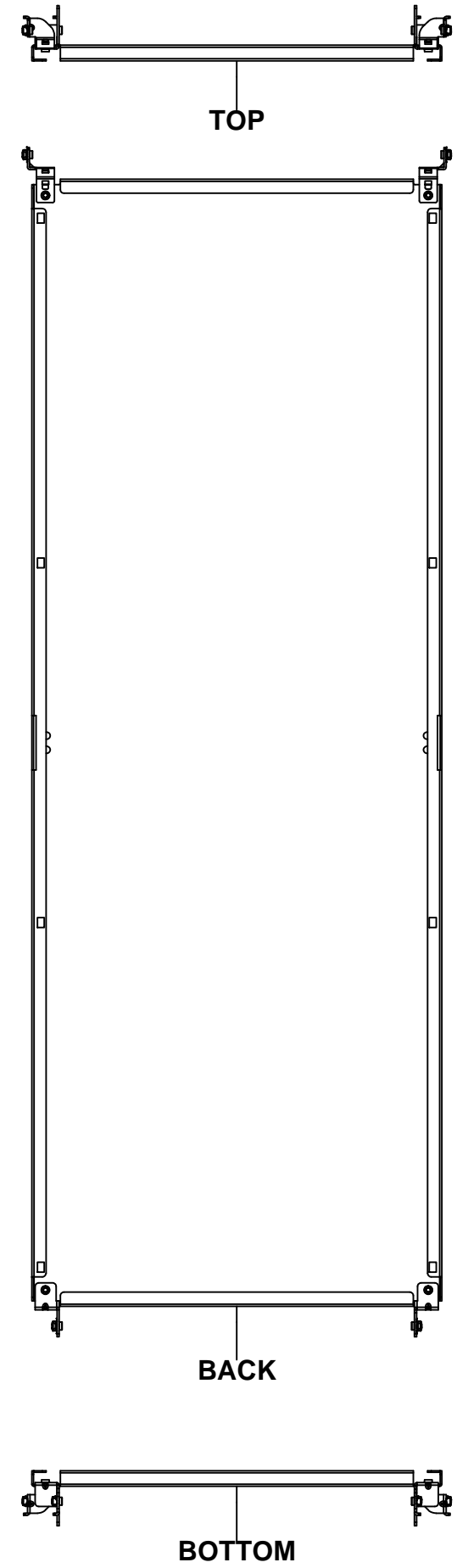
This drawing is confidential and must not be reproduced or used without the consent of EXM

Ce dessin est confidentiel et ne doit pas être reproduit ou utilisé sans le consentement de EXM

| No. | Revisions | Date | By/Par |
|-----|-----------|------|--------|
|     |           |      |        |
|     |           |      |        |
|     |           |      |        |
|     |           |      |        |
|     |           |      |        |



|  |  |   |                |
|--|--|---|----------------|
|  Tél: (450) 979-4373<br>Fax: (450) 979-4626<br><a href="http://www.exmweb.com">www.exmweb.com</a> |  | Flatness<br>Aplatissement   |                |
|  |  | Max 3.0mm   |                |
| Customer<br>Client   |  | Projection  |                |
| Date   |  |  |                |
| Drawn By<br>Dessiné Par  |  | Date  |                |
| BoxCad: Annie  |  | 07/08/2014  |                |
| Material<br>Matière  |  | 12 Ga Galvanized (2.5mm)  |                |
| Color<br>Couleur   |  | Unpainted   | Finish<br>Fini |
| Description  |  | Detail Rev.   |                |
| 6500 MXM 2000mm x 800mm Back Inner Panel   |  |   |                |
| Part Number<br>Numéro Pièce  |  | Rev.  |                |
| 6500MXK200810BIP   |  | 0   | 1<br>3         |

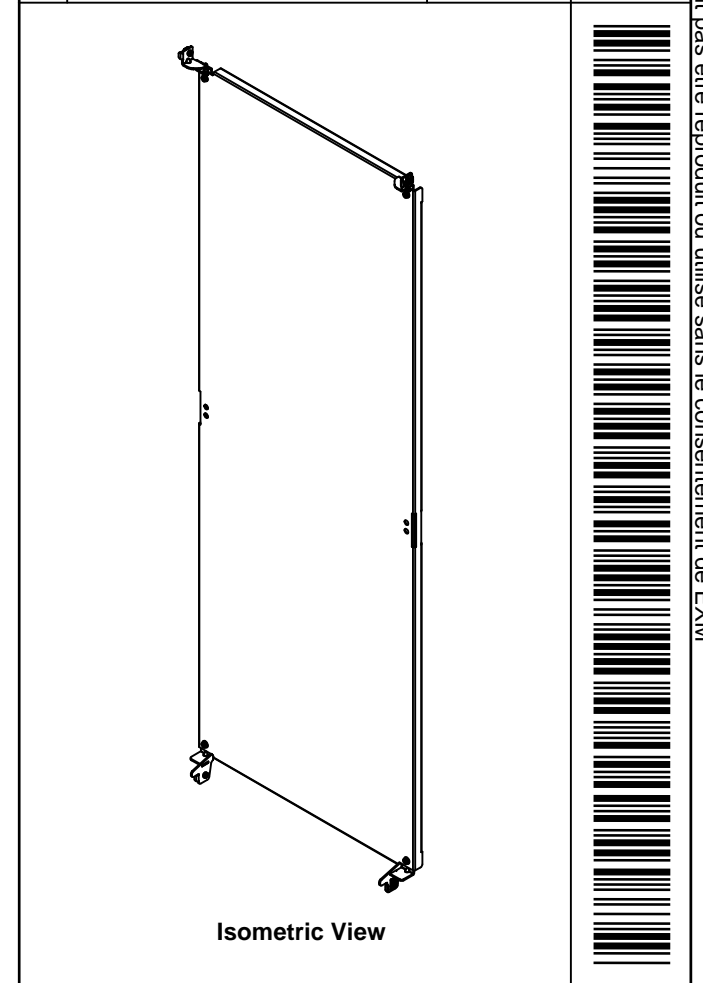



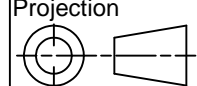
**SEE BILL OF MATERIAL ON LAST PAGE**

This drawing is confidential and must not be reproduced or used without the consent of EXM

Ce dessin est confidentiel et ne doit pas être reproduit ou utilisé sans le consentement de EXM

| No. | Revisions | Date | By/Par |
|-----|-----------|------|--------|
|     |           |      |        |
|     |           |      |        |
|     |           |      |        |
|     |           |      |        |
|     |           |      |        |



|   |  |   |
|---|--|---|
|  | Tél: (450) 979-4373<br>Fax: (450) 979-4626<br><a href="http://www.exmweb.com">www.exmweb.com</a> | Flatness<br>Aplatissement   |
|   |  | Max 3.0mm<br>Projection  |
| Customer<br>Client  | Date   |   |
| Drawn By<br>Dessiné Par   | BoxCad: Annie  | Date 07/08/2014   |
| Material<br>Matière   |  |   |
| 12 Ga Galvanized (2.5mm)  |  |   |
| Color<br>Couleur  | Unpainted  | Finish<br>Fini  |
|   |  | Unpainted   |
| Description   |  | Detail Rev.   |
| 6500 MXM 2000mm x 800mm Back Inner Panel  |  |   |
| Part Number<br>Numéro Pièce   |  | Rev.  |
| <b>6500MXK200810BIP</b>   |  | <b>0</b>  |
|   |  | 3<br>3  |

| Qty        | Part Number        | Rev | Description                                      |
|------------|--------------------|-----|--|
| 1          | STK-A-49005        | 0   | 6500MXM - Bottom Inner Panel Support Kit (Right) |
| 1          | STK-A-49000        | 0   | 6500MXM - Bottom Inner Panel Support Kit (Left)  |
| 1          | STK-A-49015        | 0   | 6500MXM - Top Inner Panel Support Kit (Right)    |
| 1          | STK-A-49010        | 0   | 6500MXM - Top Inner Panel Support Kit (Left)     |
| 1          | 6500MXK200810BIP-P | 0   | 6500 MXM 2000mm x 800mm Back Inner Panel Part    |
| Parts List |                    |     |  |