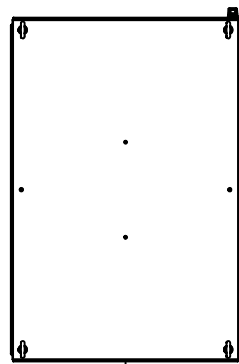
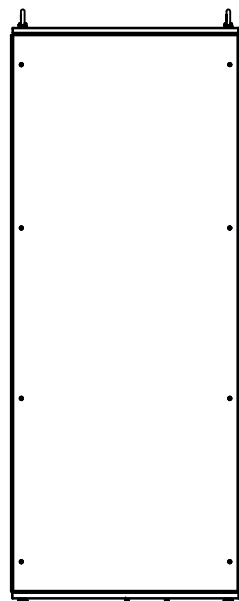


This drawing is confidential and must not be reproduced or used without the consent of EXM

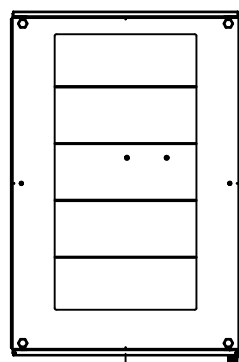
Ce dessin est confidentiel et ne doit pas être reproduit ou utilisé sans le consentement de EXM



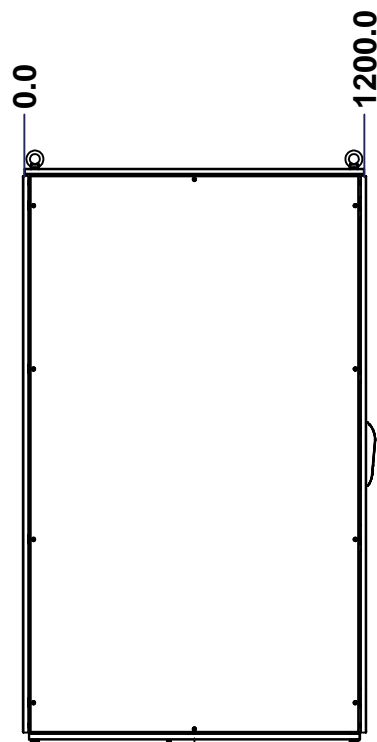
TOP



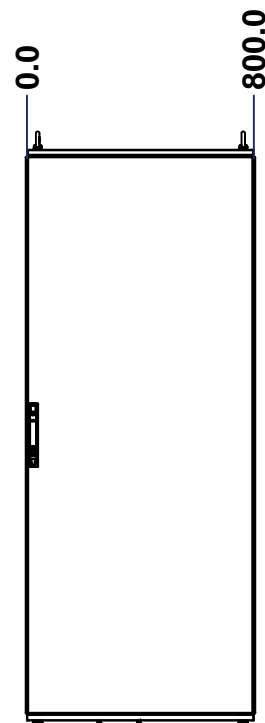
BACK



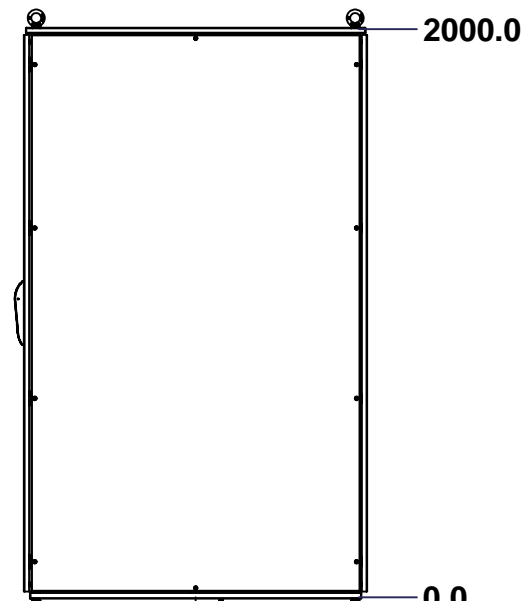
BOTTOM



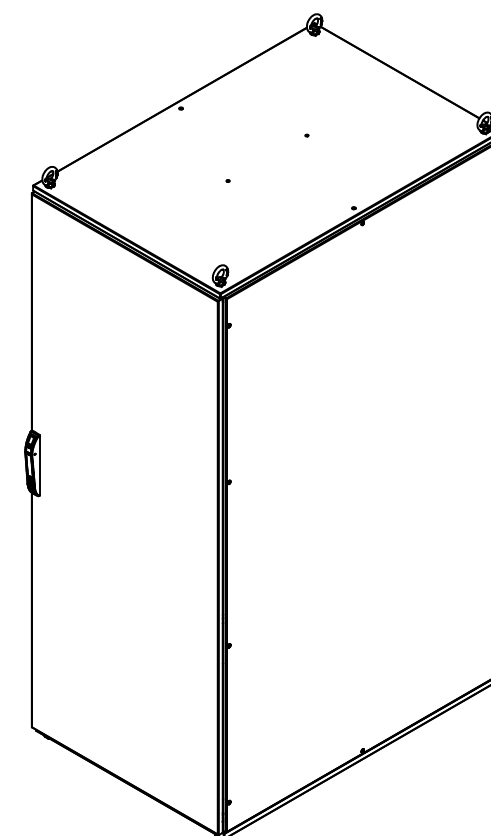
LEFT



FRONT




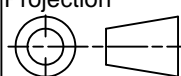
RIGHT



Isometric View



| No. | Revisions | Date | By/Par |
|-----|-----------|------|--------|
| | | | |
| | | | |
| | | | |
| | | | |

| | | |
|--|---------------|---|
|  Tél: (450) 979-4373 Fax: (450) 979-4626 www.exmweb.com | | Flatness Aplatissement Max 3.0mm Projection  |
| Customer Client | Date | Date |
| Drawn By Dessiné Par | BoxCad: Annie | Date 07/08/2014 |
| Material Matière | See Part List | |
| Color Couleur | See Part List | Finish Fini See Part List |
| Description 6500MX 2000mm x 800mm x 1200mm Assembly | Detail Rev. | |
| Part Number Numéro Pièce | Rev. 0 | 1 2 |

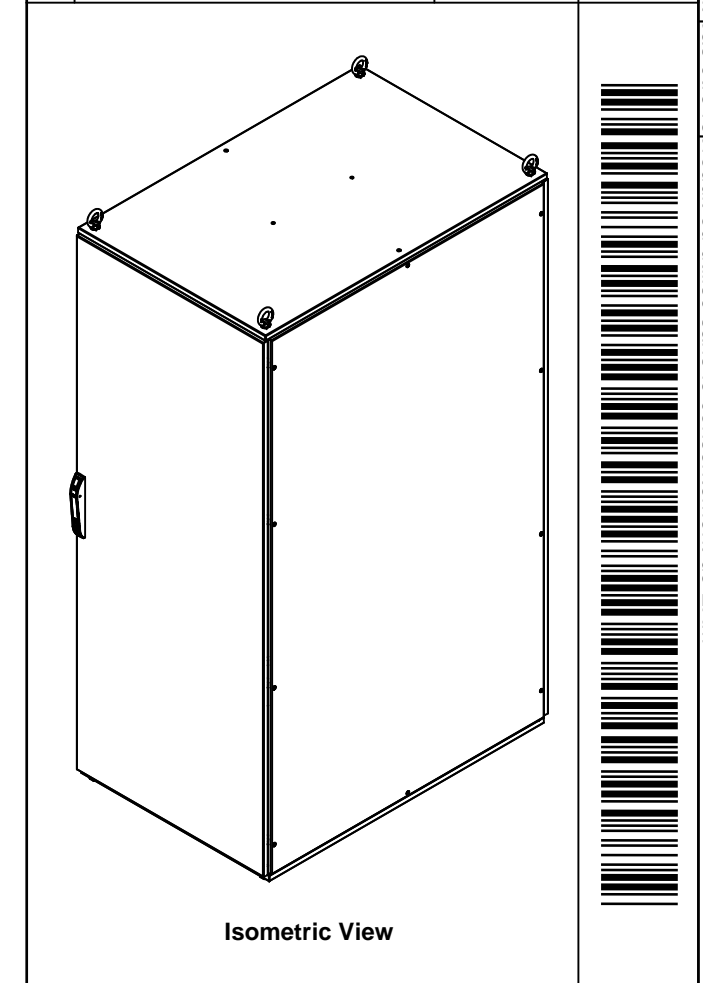
SEE BILL OF MATERIAL ON LAST PAGE

6500MXK200812

This drawing is confidential and must not be reproduced or used without the consent of EXM

Ce dessin est confidentiel et ne doit pas être reproduit ou utilisé sans le consentement de EXM

| No. | Revisions | Date | By/Par |
|-----|-----------|------|--------|
| | | | |
| | | | |
| | | | |
| | | | |
| | | | |

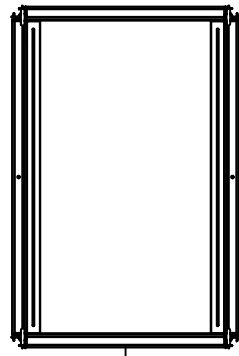


| | | |
|--|---------------|------------------------------|
| Tél: (450) 979-4373 Fax: (450) 979-4626 www.exmweb.com | | Flatness Aplatissement |
| | | Max 3.0mm |
| Customer Client | | Date |
| Drawn By Dessiné Par BoxCad: Annie | | Date 07/08/2014 |
| Material Matière | | See Part List |
| Color Couleur | See Part List | Finish Fini See Part List |
| Description 6500MX 2000mm x 800mm x 1200mm Assembly | | Detail Rev. |
| Part Number Numéro Pièce | | Rev. 2 |
| 6500MXK200812 | | 0 |

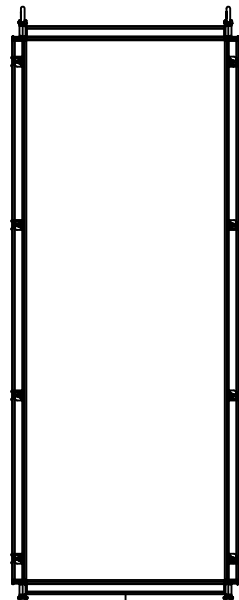
| Qty | Part Number | Rev | Description |
|------------|------------------|-----|--|
| 1 | 6500MXK200812BIP | 0 | 6500 MXM 2000mm x 800mm Back Inner Panel |
| 1 | 6500MXK200812R | 0 | 6500 MXC 2000mm x 1200mm Right |
| 1 | 6500MXK200812L | 0 | 6500 MXC 2000mm x 1200mm Left |
| 1 | 6500MXK200812F | 0 | 6500 MXD 2000mm x 800mm Front |
| 1 | 6500MXK200812B | 0 | 6500 MXR 2000mm x 800mm Back |
| 1 | 6500MXK200812BT | 0 | 6500 MXB 800mm x 1200mm Bottom |
| 1 | 6500MXK200812T | 0 | 6500 MXT 800mm x 1200mm Top |
| 1 | 6500MXK200812FR | 0 | 6500 MX 2000mm x 800mm x 1200mm Frame |
| Parts List | | | |

This drawing is confidential and must not be reproduced or used without the consent of EXM

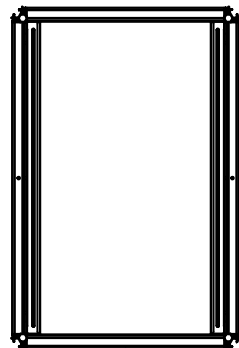
Ce dessin est confidentiel et ne doit pas être reproduit ou utilisé sans le consentement de EXM



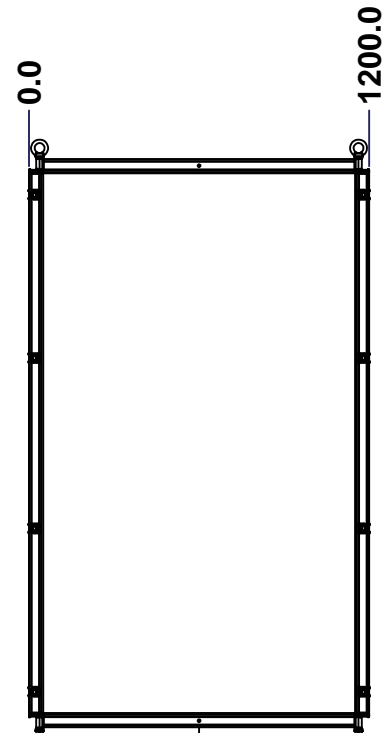
TOP



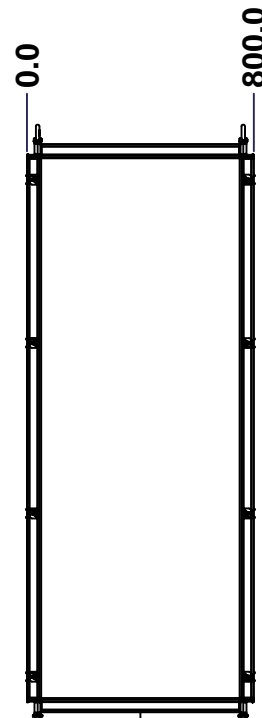
BACK



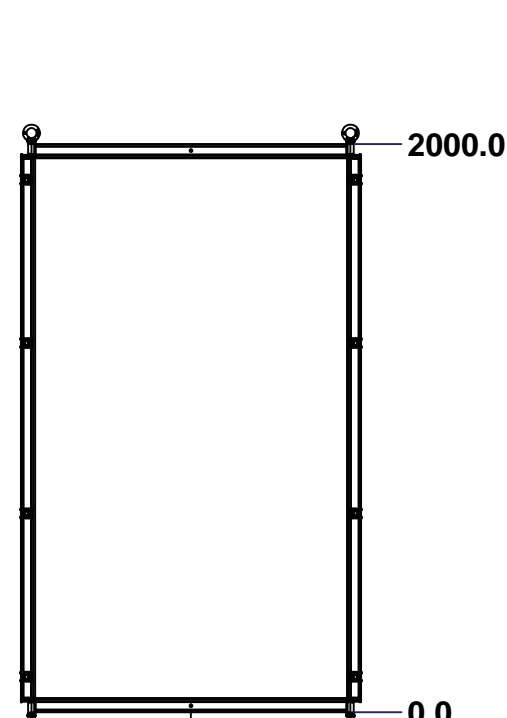
BOTTOM



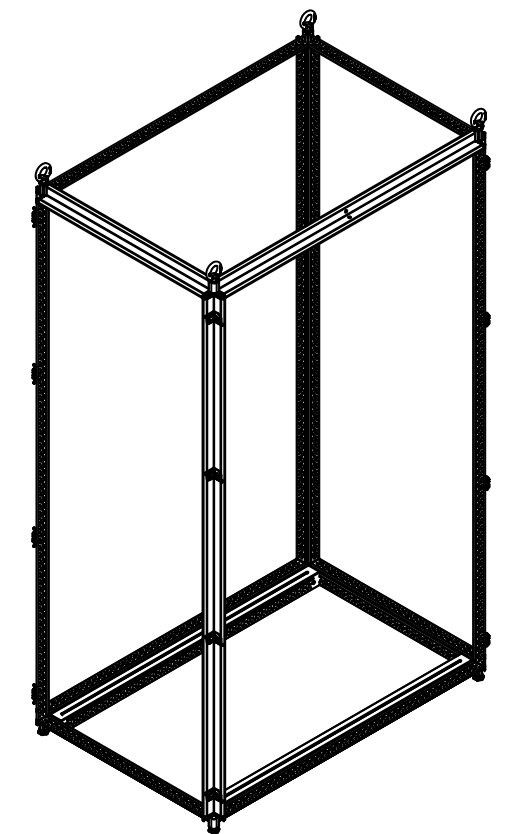
LEFT



FRONT





RIGHT



Isometric View



| No. | Revisions | Date | By/Par |
|-----|-----------|------|--------|
| | | | |
| | | | |
| | | | |
| | | | |
| | | | |

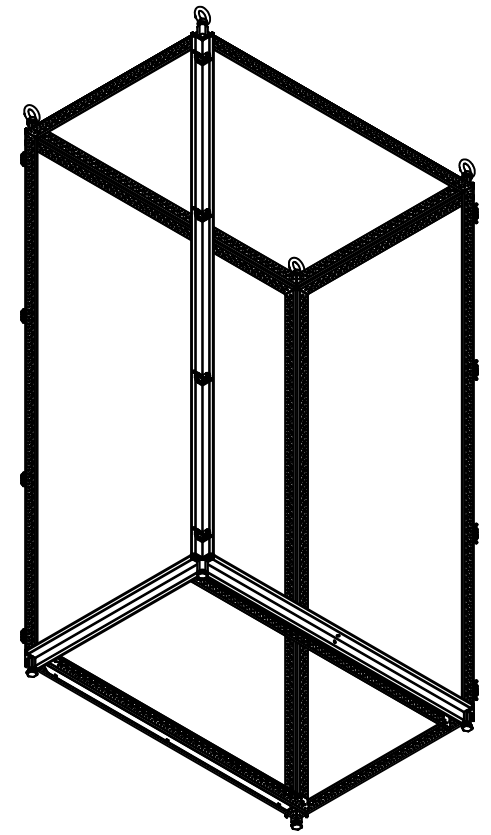
| | | |
|--|-------------------------------|--|
|  Tél: (450) 979-4373 Fax: (450) 979-4626 www.exmweb.com | | Flatness Aplatissement  Max 3.0mm |
| Customer Client | | Date |
| Drawn By / Dessiné Par: BoxCad: Annie | | Date: 07/08/2014 |
| Material / Matière: 16 Ga Electro-Galvanized (1.4mm) | | |
| Color / Couleur: Iron Grey RAL7011 | Finish / Fini: Rough Textured | |
| Description: 6500 MX 2000mm x 800mm x 1200mm Frame | | Detail Rev. |
| Part Number / Numéro Pièce: 6500MXK200812FR | | Rev. 1 0 |

SEE BILL OF MATERIAL ON LAST PAGE

This drawing is confidential and must not be reproduced or used without the consent of EXM

Ce dessin est confidentiel et ne doit pas être reproduit ou utilisé sans le consentement de EXM


| No. | Revisions | Date | By/Par |
|-----|-----------|------|--------|
| | | | |
| | | | |
| | | | |
| | | | |
| | | | |



Isometric View

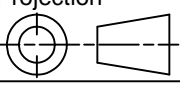


| | | | |
|------------|----------------|-----|---|
| 1 | STK-P-03810R | 0 | Powder Paint (Iron Grey / Rough Textured) |
| 1 | STK-Q-49073 | 3 | 6500 MXM Inner Panel Slider 1200mm |
| 1 | STK-Q-49073-L | 3 | 6500 MXM Inner Panel Slider 1200mm |
| 4 | STK-Q-49500 | 3 | M12 Eye Bolt (0.34T) |
| 4 | STK-Q-61110 | 0 | M12 Feet Leveler |
| 8 | STK-Q-00610 | 1 | M18 x 30.5mm Bolt - Cover |
| 4 | STK-Q-47251-20 | 3 | 6500 MX 2000mm Vertical Frame Post Part |
| 4 | STK-Q-47250-08 | 3 | 6500 MX 800mm Horizontal Frame Post Part |
| 4 | STK-Q-47250-12 | 3 | 6500 MX 1200mm Horizontal Frame Post Part |
| 8 | STK-Q-49445 | 2 | 6500 MX - Frame Corner Bracket Casting |
| 16 | STK-K-11001 | 2 | 3 Way Fixed Bracket Kit |
| Qty | Part Number | Rev | Description |
| Parts List | | | |



Tél: (450) 979-4373
 Fax: (450) 979-4626
www.exmweb.com

Flatness
Aplatissement
Max 3.0mm

Projection


Customer Client

Drawn By / Dessiné Par: BoxCad: Annie

Material / Matière: 16 Ga Electro-Galvanized (1.4mm)

Color / Couleur: Iron Grey RAL7011

Description: 6500 MX 2000mm x 800mm x 1200mm Frame

Part Number / Numéro Pièce: **6500MXK200812FR**

Date

Date: 07/08/2014

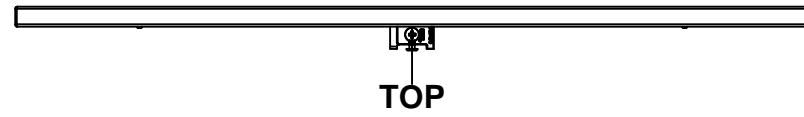
Finish / Fini: Rough Textured

Detail Rev.

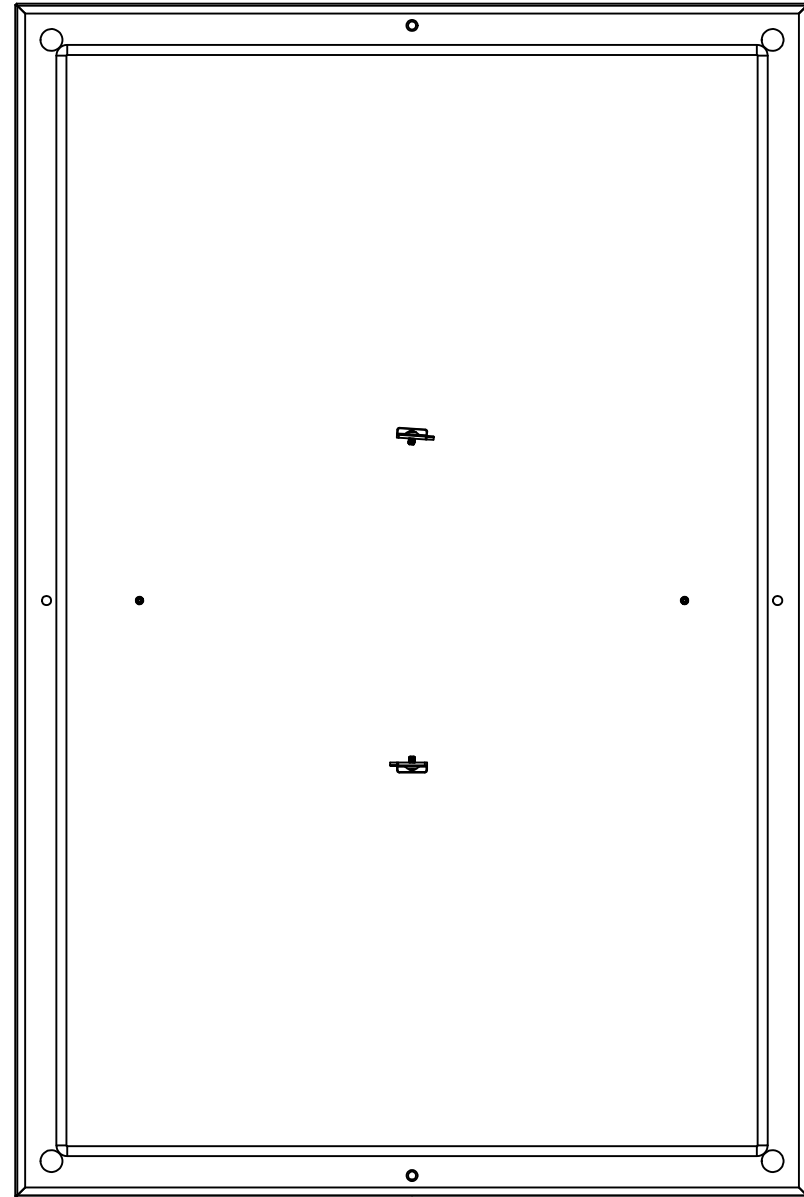
| | |
|----------|---|
| Rev. | 2 |
| 0 | 2 |

This drawing is confidential and must not be reproduced or used without the consent of EXM

Ce dessin est confidentiel et ne doit pas être reproduit ou utilisé sans le consentement de EXM



TOP



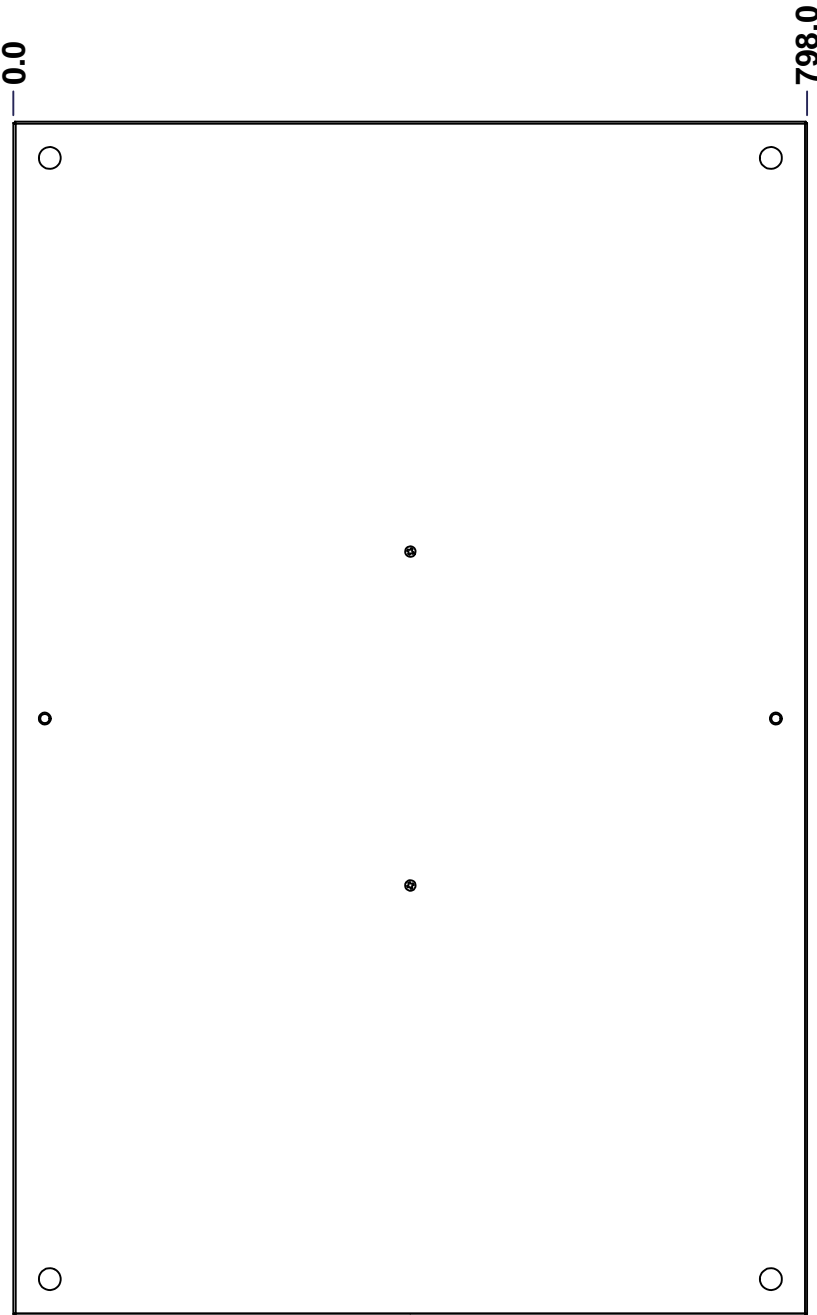
BACK



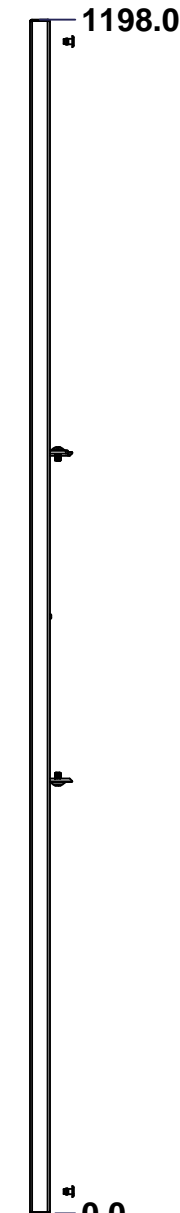
BOTTOM



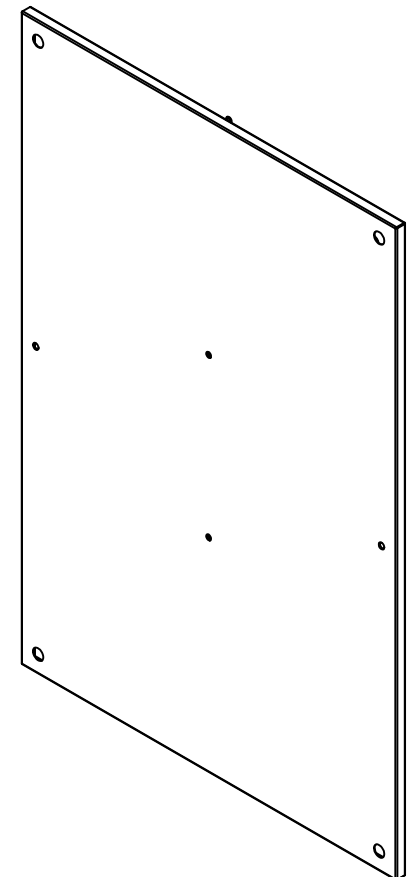
LEFT



FRONT




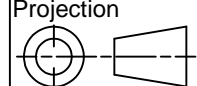
RIGHT



Isometric View



| No. | Revisions | Date | By/Par |
|-----|-----------|------|--------|
| | | | |
| | | | |
| | | | |
| | | | |

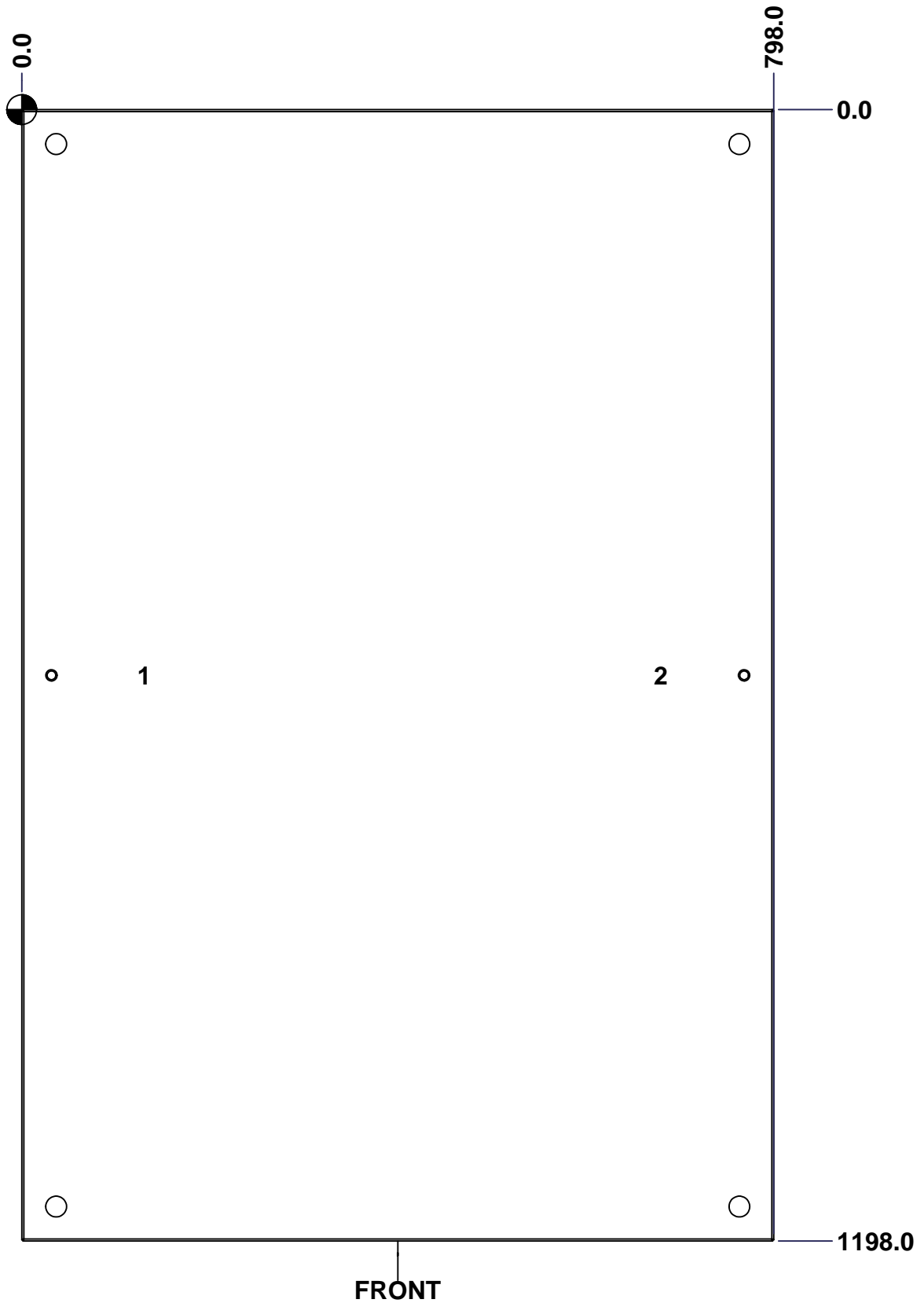
| | | |
|--|---------------------------|---|
|  Tél: (450) 979-4373 Fax: (450) 979-4626 www.exmweb.com | | Flatness Aplatissement Max 3.0mm Projection  |
| Customer Client | Date | |
| Drawn By Dessiné Par | BoxCad: Annie | Date 07/08/2014 |
| Material Matière | 16 Ga H.R.P. & O. (1.4mm) | |
| Color Couleur | Iron Grey RAL7011 | Finish Fini Rough Textured |
| Description | Detail Rev. | |
| 6500 MXT 800mm x 1200mm Top | | |
| Part Number Numéro Pièce | Rev. | 1 3 |
| 6500MXK200812T | 0 | |

SEE BILL OF MATERIAL ON LAST PAGE

This drawing is confidential and must not be reproduced or used without the consent of EXM

Ce dessin est confidentiel et ne doit pas être reproduit ou utilisé sans le consentement de EXM

| STANDARD FEATURES ARE NOT LISTED IN THIS HOLE TABLE | | | |
|---|-------|-------|-----------------------------|
| HOLE TABLE - FRONT VIEW (CUSTOM FEATURE ONLY) | | | |
| CUT-OUT | XDIM | YDIM | DESCRIPTION |
| 1 | 125.0 | 599.0 | GND STUD M6 x 16mm (Inside) |
| 2 | 673.0 | 599.0 | GND STUD M6 x 16mm (Inside) |

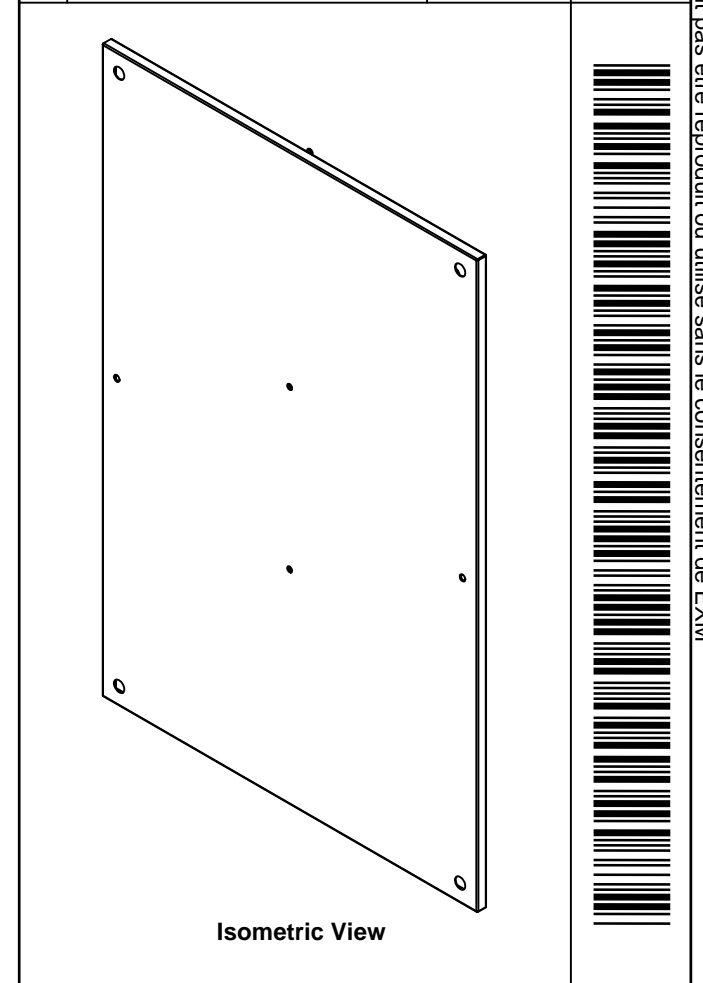


| | | |
|--|-----------------------------|----------|
| | Description | Status |
| | 6500 MXT 800mm x 1200mm Top | (NULL) |
| | Part Number Numéro Pièce | Rev. |
| | 6500MXK200812T | 0 |
| | | 2 |
| | | 3 |

This drawing is confidential and must not be reproduced or used without the consent of EXM

Ce dessin est confidentiel et ne doit pas être reproduit ou utilisé sans le consentement de EXM

| No. | Revisions | Date | By/Par |
|-----|-----------|------|--------|
| | | | |
| | | | |
| | | | |
| | | | |
| | | | |

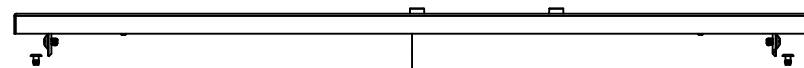


| | | | |
|--|--|---------------------------|-------------------|
| Tél: (450) 979-4373 Fax: (450) 979-4626 www.exmweb.com | | Flatness Aplatissement | |
| | | Max 3.0mm Projection | |
| Customer Client | | Date | |
| Drawn By Dessiné Par | | Date | |
| BoxCad: Annie | | 07/08/2014 | |
| Material Matière | | 16 Ga H.R.P. & O. (1.4mm) | |
| Color Couleur | | Iron Grey RAL7011 | Finish Fini |
| | | | Rough Textured |
| Description | | | Detail Rev. |
| 6500 MXT 800mm x 1200mm Top | | | |
| Part Number Numéro Pièce | | Rev. | 3 |
| 6500MXK200812T | | 0 | 3 |

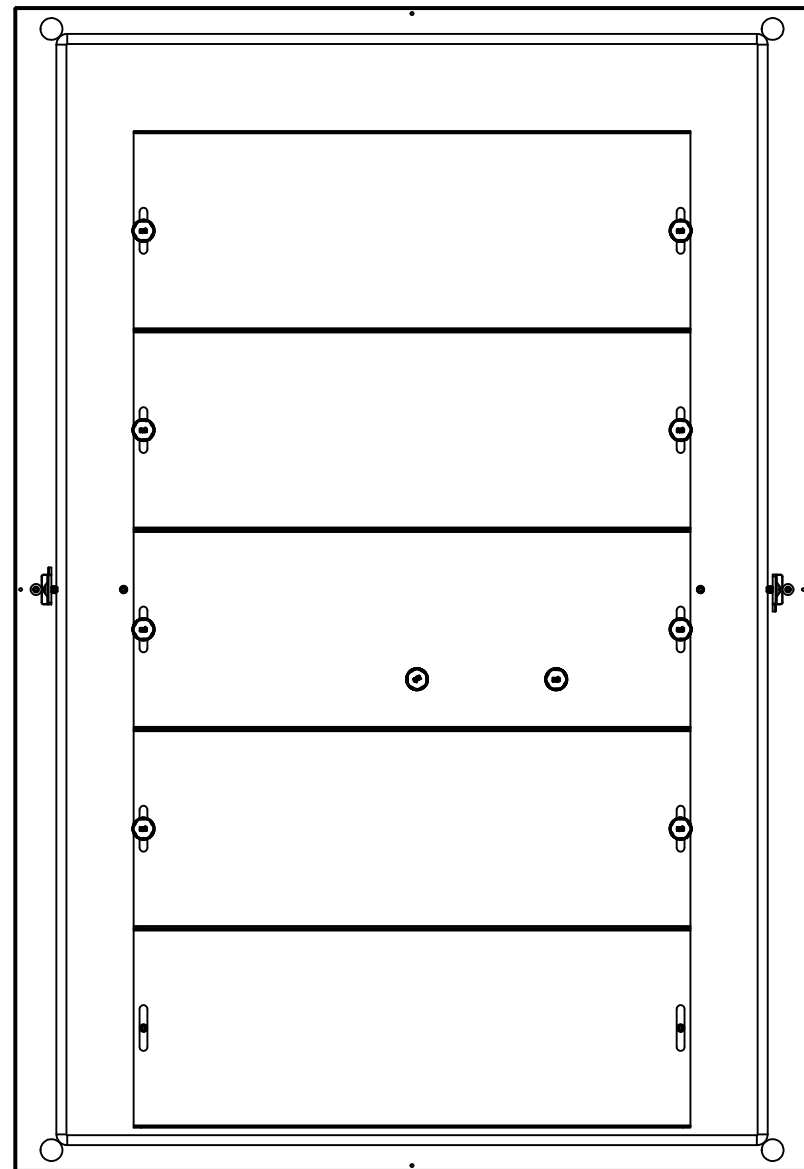
| Qty | Part Number | Rev | Description |
|------------|------------------|-----|---|
| 1 | STK-P-03810R | 0 | Powder Paint (Iron Grey / Rough Textured) |
| 2 | STK-Q-16055 | 1 | M6 x 18mm Stud (No Paint Cap Required) |
| 2 | STK-Q-77120 | 1 | 6500MX-Frame Rubber Plug |
| 2 | STK-Q-03072 | 2 | M6 x 17mm Phillips Flat Head Screw |
| 1 | 6500MXK200812TG | 0 | 6500 MXT 800mm x 1200mm Top Gasket |
| 1 | 6500MXK200812T-P | 0 | 6500 MXT 800mm x 1200mm Top Part |
| 2 | STK-K-11010 | 3 | Partial Fixed Bracket Kit |
| Parts List | | | |

This drawing is confidential and must not be reproduced or used without the consent of EXM

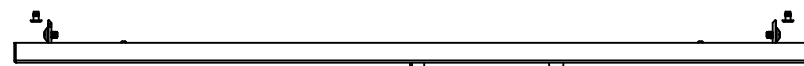
Ce dessin est confidentiel et ne doit pas être reproduit ou utilisé sans le consentement de EXM



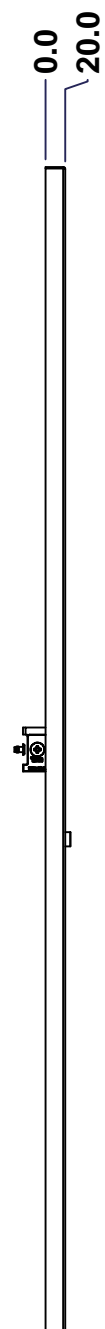
TOP



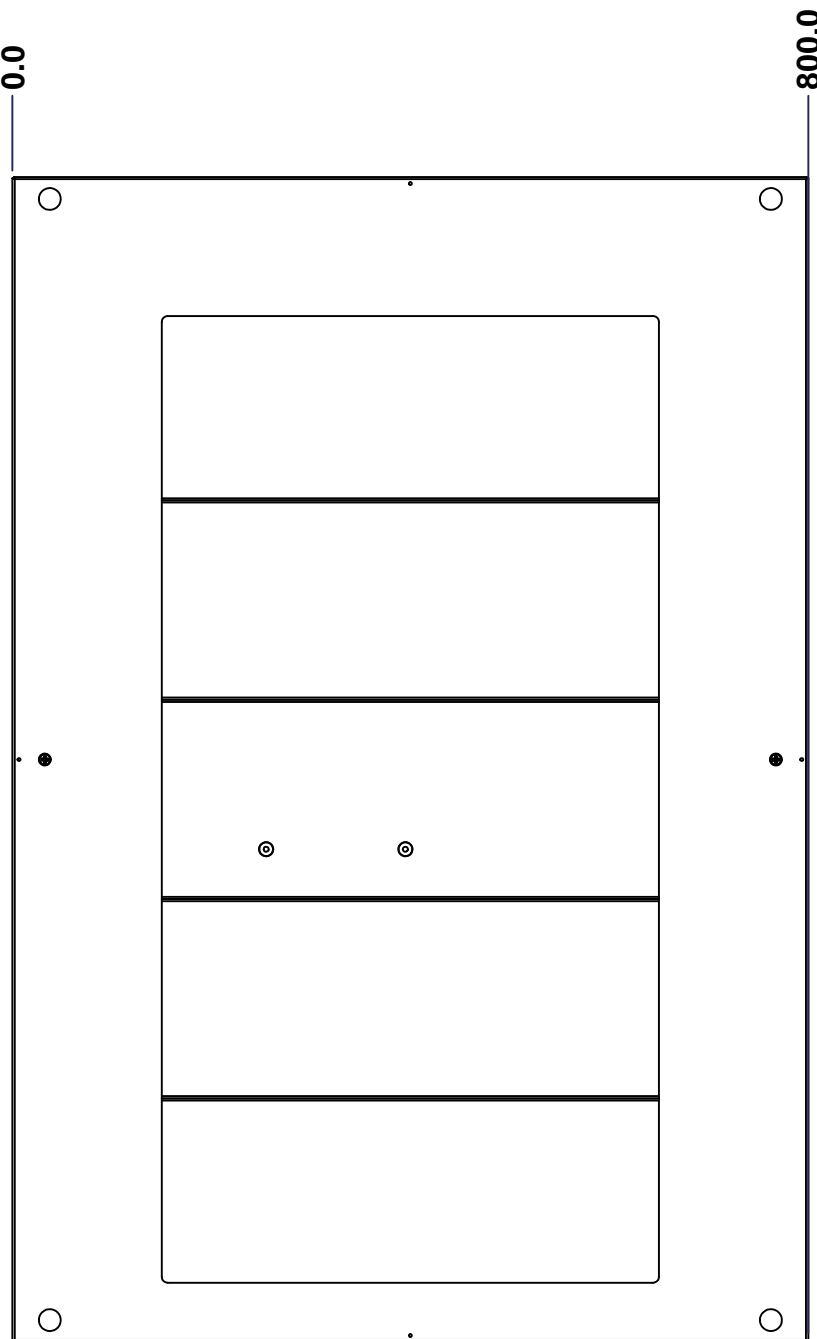
BACK



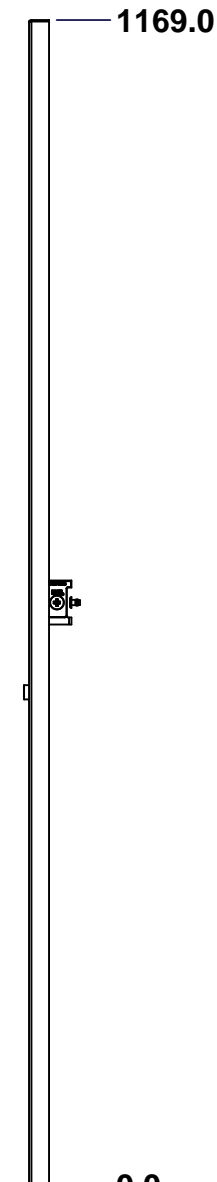
BOTTOM



LEFT

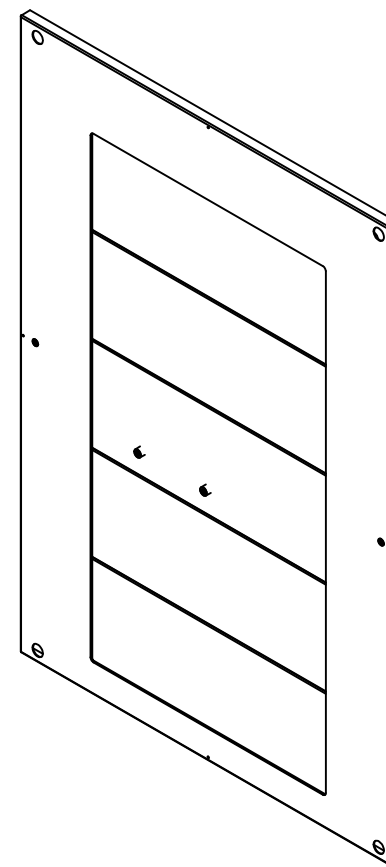


FRONT



RIGHT

| No. | Revisions | Date | By/Par |
|-----|-----------|------|--------|
| | | | |
| | | | |
| | | | |
| | | | |
| | | | |



Isometric View



Tél: (450) 979-4373
 Fax: (450) 979-4626
www.exmweb.com

Flatness
Aplatissement

Max 3.0mm

Projection



| | |
|--|----------------------------|
| Customer Client | Date |
| Drawn By Dessiné Par BoxCad: Annie | Date 07/08/2014 |
| Material Matière 16 Ga H.R.P. & O. (1.4mm) | |
| Color Couleur Iron Grey RAL7011 | Finish Fini Rough Textured |
| Description 6500 MXB 800mm x 1200mm Bottom | |
| Detail Rev. | |
| Part Number Numéro Pièce 6500MXK200812BT | Rev. 1 0 3 |

SEE BILL OF MATERIAL ON LAST PAGE

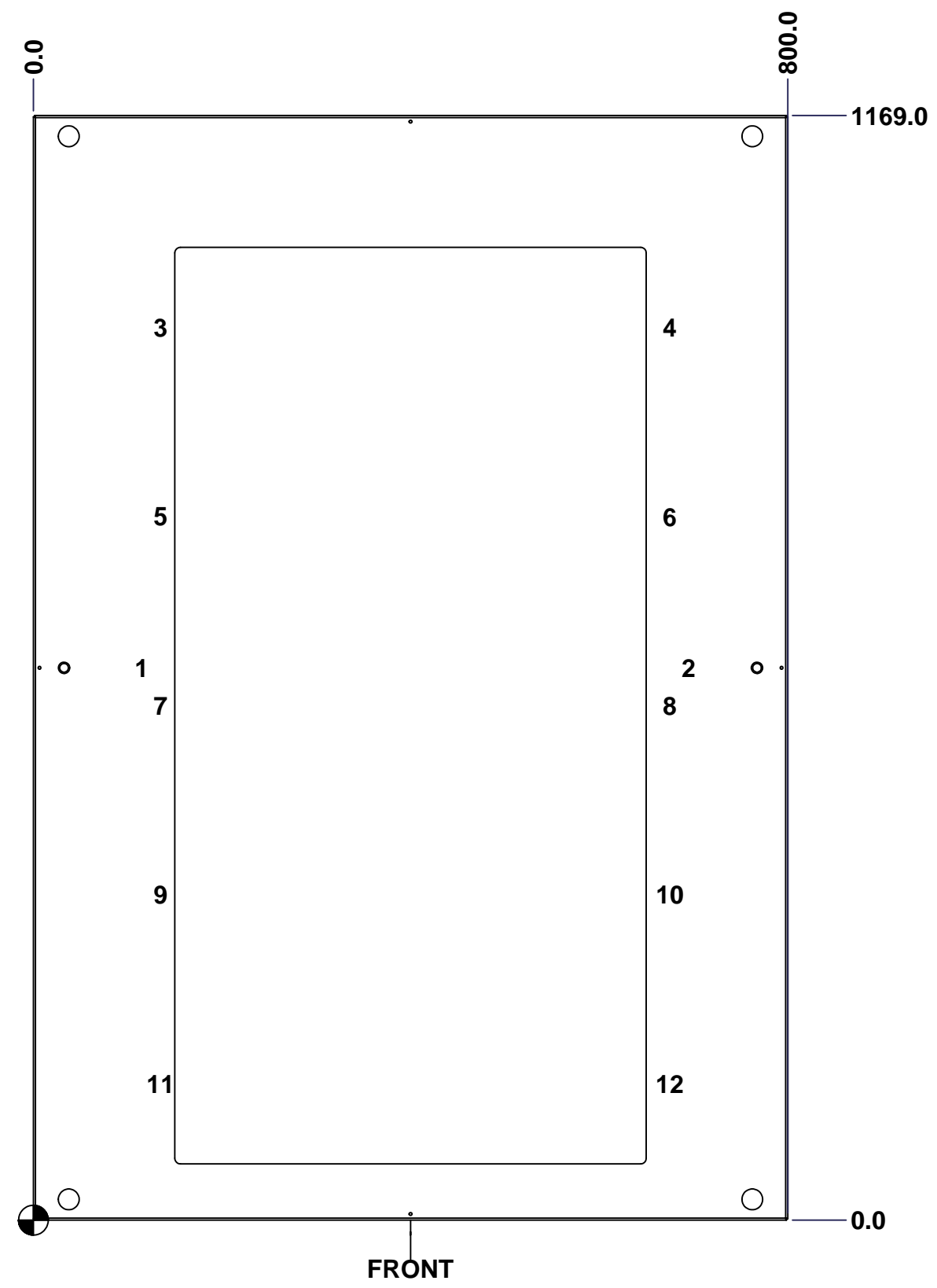
This drawing is confidential and must not be reproduced or used without the consent of EXM

Ce dessin est confidentiel et ne doit pas être reproduit ou utilisé sans le consentement de EXM

STANDARD FEATURES ARE NOT LISTED IN THIS HOLE TABLE

HOLE TABLE - FRONT VIEW (CUSTOM FEATURE ONLY)

| CUT-OUT | XDIM | YDIM | DESCRIPTION |
|---------|-------|-------|-----------------------------|
| 1 | 110.0 | 584.5 | GND STUD M6 x 16mm (Inside) |
| 2 | 690.0 | 584.5 | GND STUD M6 x 16mm (Inside) |
| 3 | 130.0 | 944.5 | GP STUD M6 x 10mm (Inside) |
| 4 | 670.0 | 944.5 | GP STUD M6 x 10mm (Inside) |
| 5 | 130.0 | 744.5 | GP STUD M6 x 10mm (Inside) |
| 6 | 670.0 | 744.5 | GP STUD M6 x 10mm (Inside) |
| 7 | 130.0 | 544.5 | GP STUD M6 x 10mm (Inside) |
| 8 | 670.0 | 544.5 | GP STUD M6 x 10mm (Inside) |
| 9 | 130.0 | 344.5 | GP STUD M6 x 10mm (Inside) |
| 10 | 670.0 | 344.5 | GP STUD M6 x 10mm (Inside) |
| 11 | 130.0 | 144.5 | GP STUD M6 x 10mm (Inside) |
| 12 | 670.0 | 144.5 | GP STUD M6 x 10mm (Inside) |

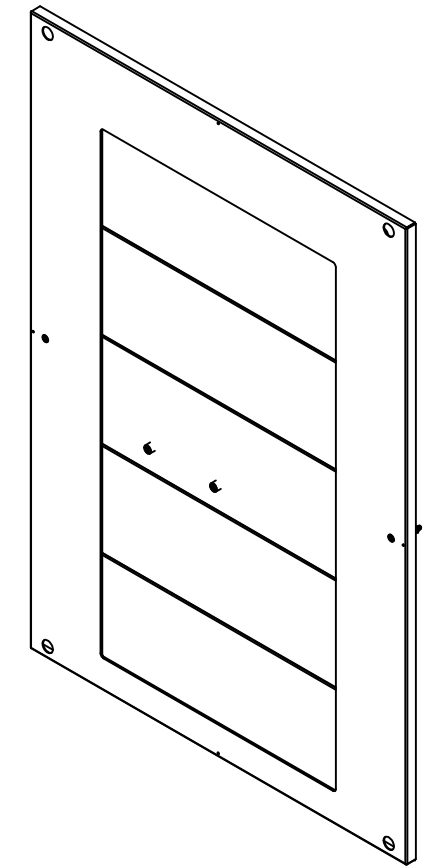


| | | |
|--|--------------------------------|----------|
| | Description | Status |
| | 6500 MXB 800mm x 1200mm Bottom | (NULL) |
| | Part Number Numéro Pièce | Rev. |
| | 6500MXK200812BT | 0 |
| | | 2 |
| | | 3 |

This drawing is confidential and must not be reproduced or used without the consent of EXM

Ce dessin est confidentiel et ne doit pas être reproduit ou utilisé sans le consentement de EXM


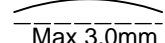
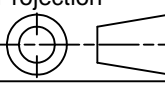
| No. | Revisions | Date | By/Par |
|-----|-----------|------|--------|
| | | | |
| | | | |
| | | | |
| | | | |
| | | | |



Isometric View

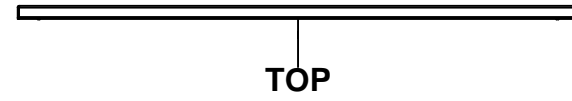


| | | | |
|------------|----------------------|-----|---|
| 1 | STK-P-03810R | 0 | Powder Paint (Iron Grey / Rough Textured) |
| 2 | STK-Q-06001 | 0 | Mtrx - Gland Plate M6 Plastic Thumb Nut |
| 2 | STK-Q-16055 | 1 | M6 x 18mm Stud (No Paint Cap Required) |
| 2 | STK-Q-77120 | 1 | 6500MX-Frame Rubber Plug |
| 2 | STK-Q-03072 | 2 | M6 x 17mm Phillips Flat Head Screw |
| 8 | | | |
| 5 | 6500MXK200812GP200-P | 0 | 6500 MXB 800mm Gland Plate Part (200mm) |
| 10 | STK-Q-16031 | 0 | M6 x 10mm Stud (No Paint Cap Required) |
| 1 | 6500MXK200812BTGPG | 0 | 6500 MXB 800mm x 1200mm Bottom Gland Plate Gasket |
| 1 | 6500MXK200812BTG | 0 | 6500 MXB 800mm x 1200mm Bottom Gasket |
| 1 | 6500MXK200812BT-P | 0 | 6500 MXB 800mm x 1200mm Bottom Part |
| 2 | STK-K-11010 | 3 | Partial Fixed Bracket Kit |
| Qty | Part Number | Rev | Description |
| Parts List | | | |

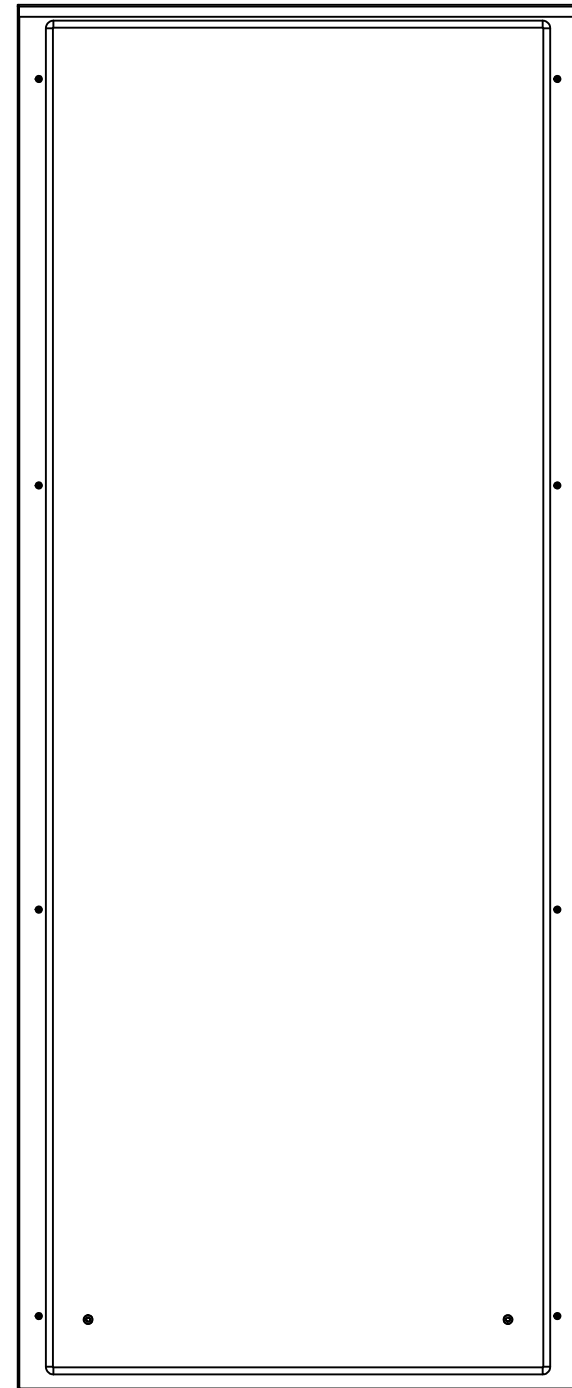
| | | |
|--|---------------------------|---|
|  Tél: (450) 979-4373 Fax: (450) 979-4626 www.exmweb.com | | Flatness Aplatissement  Max 3.0mm Projection  |
| Customer Client | Date | Date |
| Drawn By Dessiné Par | BoxCad: Annie | 07/08/2014 |
| Material Matière | 16 Ga H.R.P. & O. (1.4mm) | |
| Color Couleur | Iron Grey RAL7011 | Finish Fini |
| Description | | Detail Rev. |
| 6500 MXB 800mm x 1200mm Bottom | | |
| Part Number Numéro Pièce | Rev. | 3 |
| 6500MXK200812BT | 0 | 3 |

This drawing is confidential and must not be reproduced or used without the consent of EXM

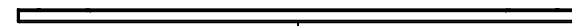
Ce dessin est confidentiel et ne doit pas être reproduit ou utilisé sans le consentement de EXM



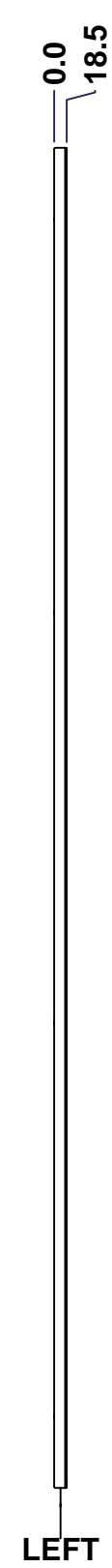
TOP



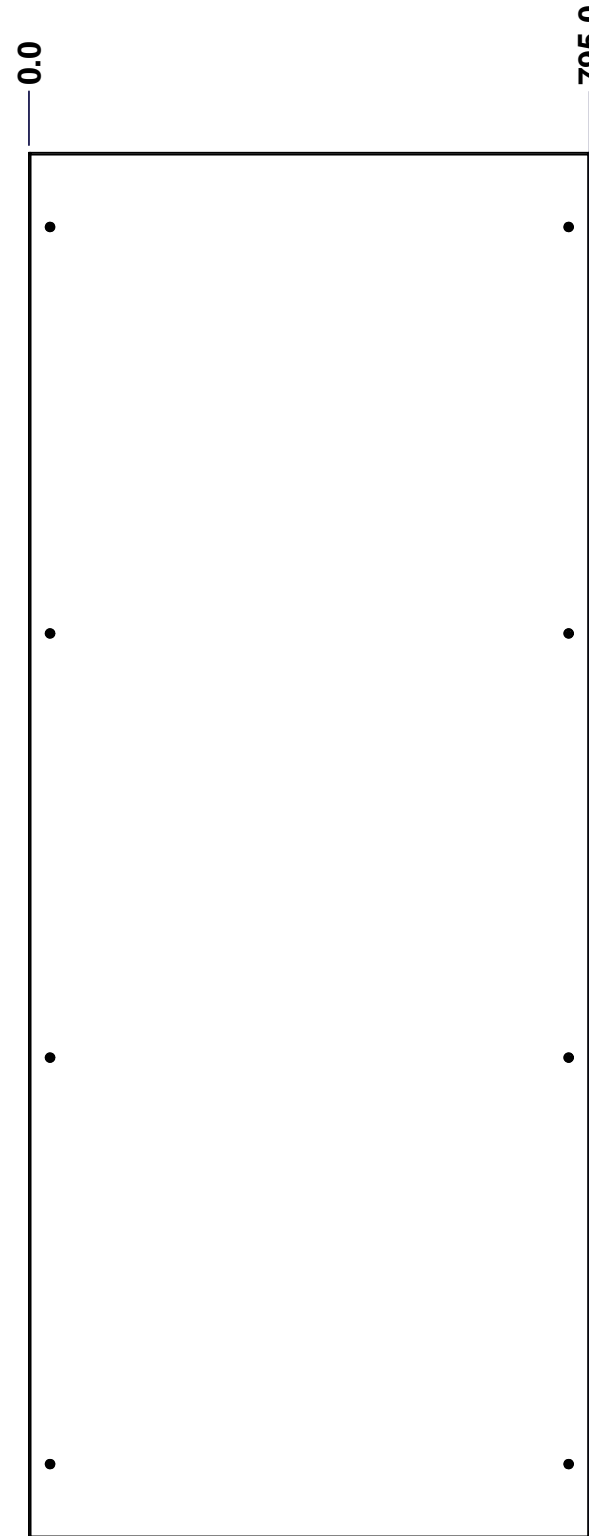
BACK



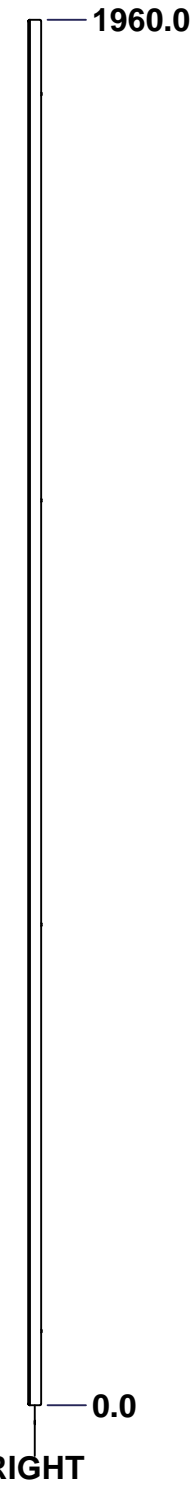
BOTTOM



LEFT



FRONT



RIGHT

| No. | Revisions | Date | By/Par |
|-----|-----------|------|--------|
| | | | |
| | | | |
| | | | |
| | | | |
| | | | |

Isometric View

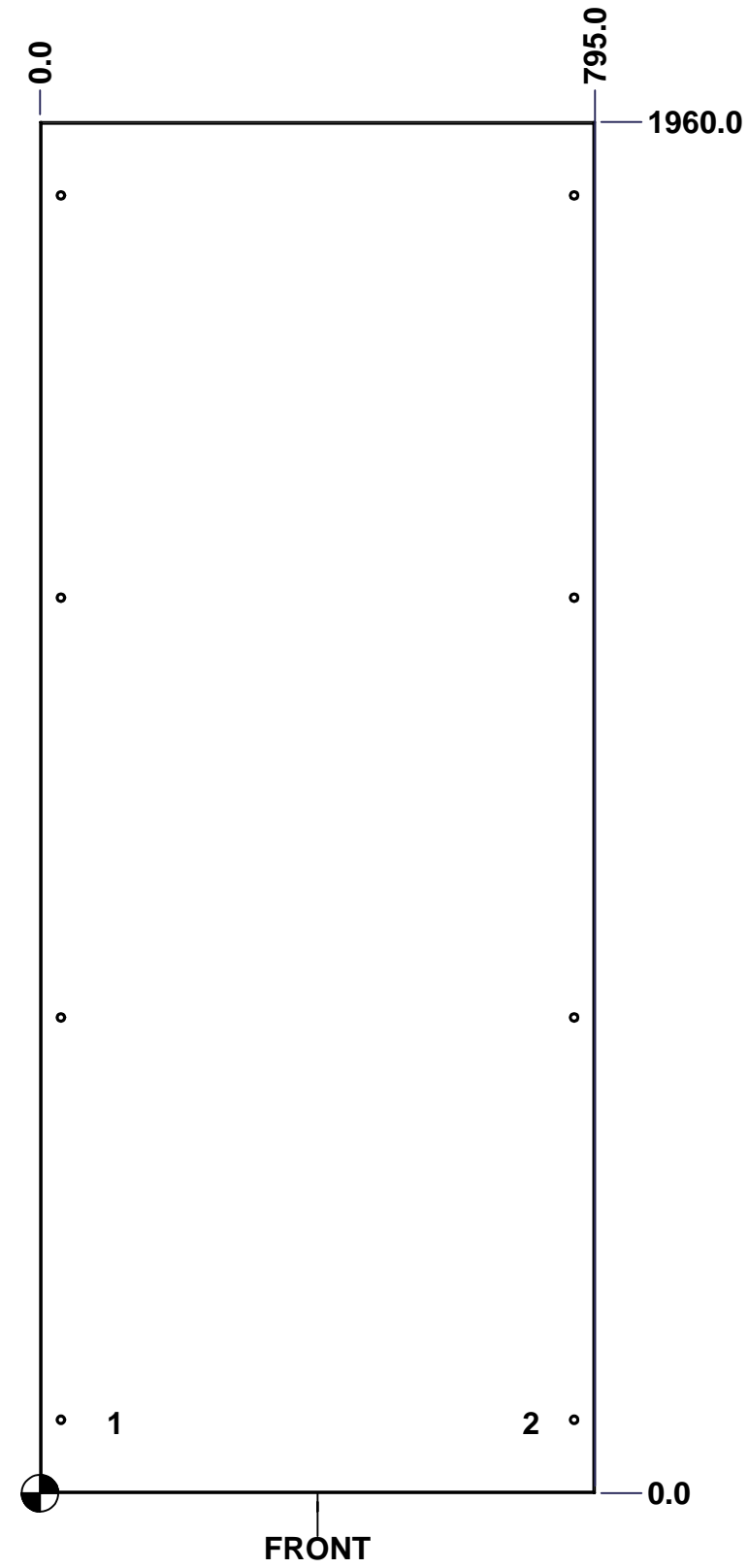
| | | | |
|---|--|-------------------------------------|--------|
| <p>Tél: (450) 979-4373 Fax: (450) 979-4626 www.exmweb.com</p> | | Flatness Aplatissement | |
| | | Max 3.0mm | |
| Customer Client | | Projection | |
| Date | | | |
| Drawn By Dessiné Par BoxCad: Annie | | Date 07/08/2014 | |
| Material Matière 14 Ga H.R.P. & O. (1.7mm) | | Color Couleur Light Grey RAL7035 | |
| Description | | Finish Fini Rough Textured | |
| 6500 MXR 2000mm x 800mm Back | | Detail Rev. | |
| Part Number Numéro Pièce 6500MXK200812B | | Rev. 0 | 1 3 |

SEE BILL OF MATERIAL ON LAST PAGE

This drawing is confidential and must not be reproduced or used without the consent of EXM

Ce dessin est confidentiel et ne doit pas être reproduit ou utilisé sans le consentement de EXM

| STANDARD FEATURES ARE NOT LISTED IN THIS HOLE TABLE | | | |
|---|-------|-------|-----------------------------|
| HOLE TABLE - FRONT VIEW (CUSTOM FEATURE ONLY) | | | |
| CUT-OUT | XDIM | YDIM | DESCRIPTION |
| 1 | 100.0 | 100.0 | GND STUD M6 x 16mm (Inside) |
| 2 | 695.0 | 100.0 | GND STUD M6 x 16mm (Inside) |

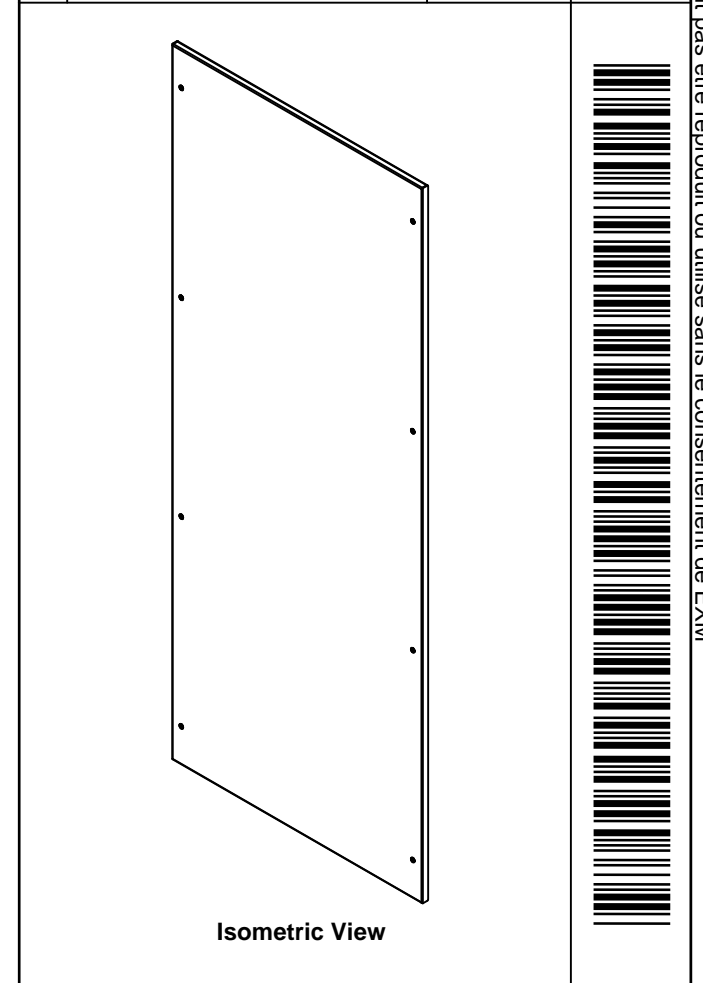



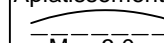
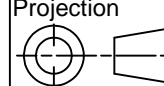
| | | | |
|--|--|--|------------------------|
| | Description 6500 MXR 2000mm x 800mm Back | | Status (NULL) |
| | Part Number Numéro Pièce 6500MXK200812B | | Rev. 2 0 / 3 |

This drawing is confidential and must not be reproduced or used without the consent of EXM

Ce dessin est confidentiel et ne doit pas être reproduit ou utilisé sans le consentement de EXM

| No. | Revisions | Date | By/Par |
|-----|-----------|------|--------|
| | | | |
| | | | |
| | | | |
| | | | |
| | | | |

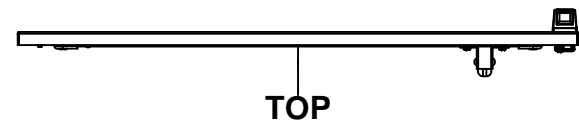


| | | |
|--|--|--|
|  Tél: (450) 979-4373 Fax: (450) 979-4626 www.exmweb.com | | Flatness Aplatissement  Max 3.0mm |
| Customer Client | | Projection  |
| Drawn By Dessiné Par BoxCad: Annie | | Date 07/08/2014 |
| Material Matière 14 Ga H.R.P. & O. (1.7mm) | | |
| Color Couleur Light Grey RAL7035 | | Finish Fini Rough Textured |
| Description 6500 MXR 2000mm x 800mm Back | | Detail Rev. |
| Part Number Numéro Pièce 6500MXK200812B | | Rev. 3 0 |

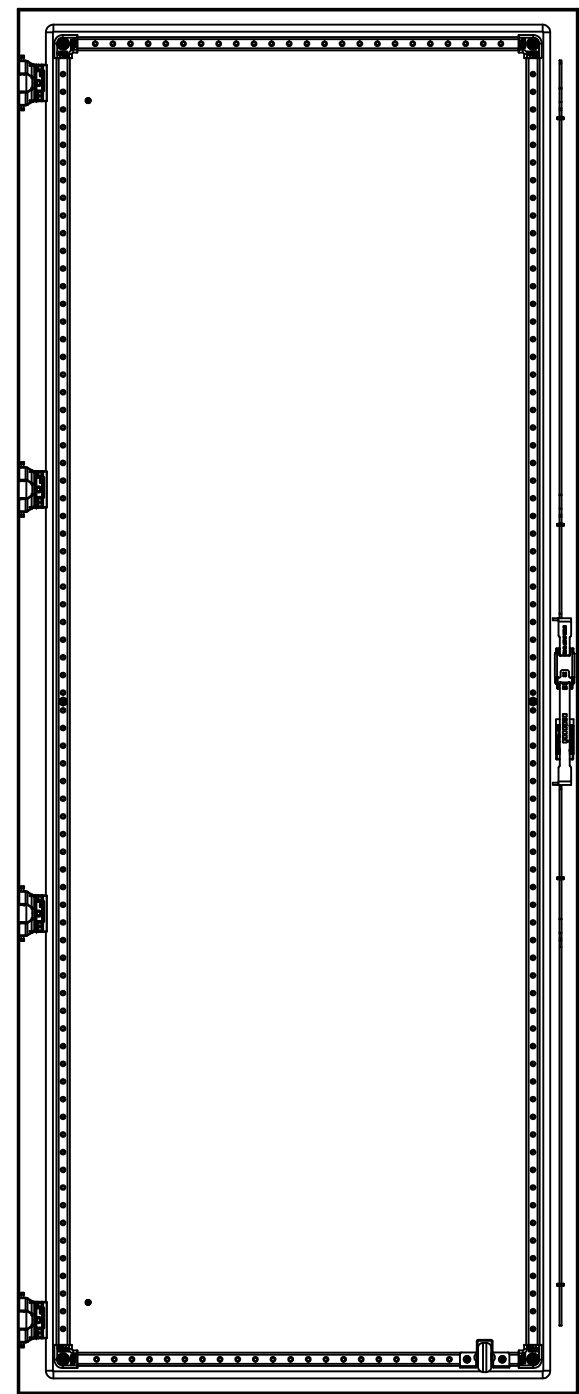
| Qty | Part Number | Rev | Description |
|------------|------------------|-------|--|
| 1 | STK-P-03820R | 0 | Powder Paint (Light Grey / Rough Textured) |
| 8 | STK-Q-03072 | 2 | M6 x 17mm Phillips Flat Head Screw |
| 2 | STK-Q-16080 | 0.1.1 | M6 x 16mm Ground Stud |
| 1 | 6500MXK200812BG | 0 | 6500 MXR 2000mm x 800mm Back Gasket |
| 1 | 6500MXK200812B-P | 0 | 6500 MXR 2000mm x 800mm Back Part |
| Parts List | | | |

This drawing is confidential and must not be reproduced or used without the consent of EXM

Ce dessin est confidentiel et ne doit pas être reproduit ou utilisé sans le consentement de EXM



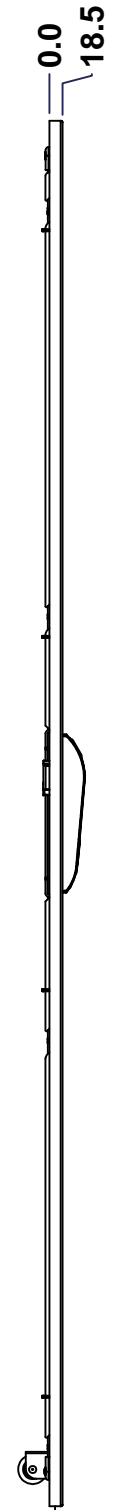
TOP



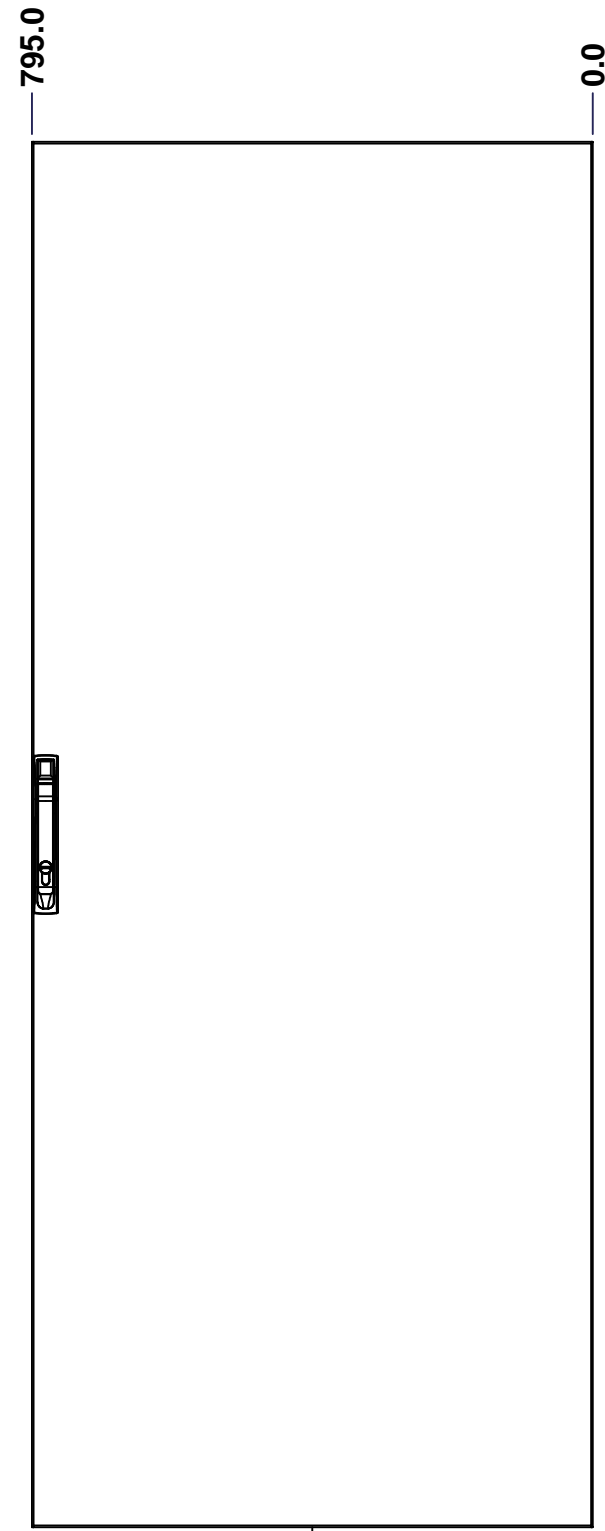
BACK



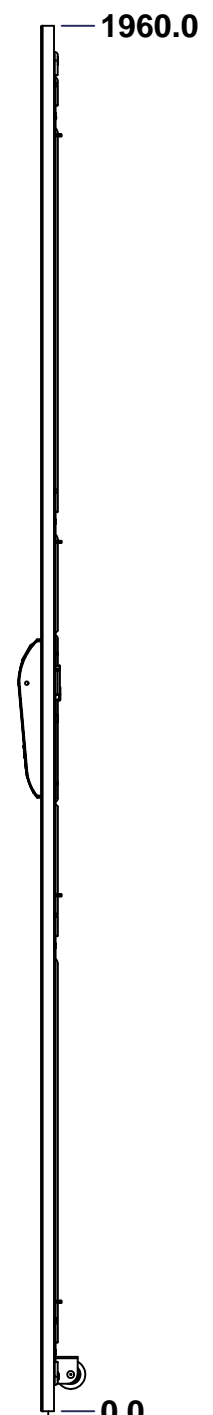
BOTTOM



LEFT

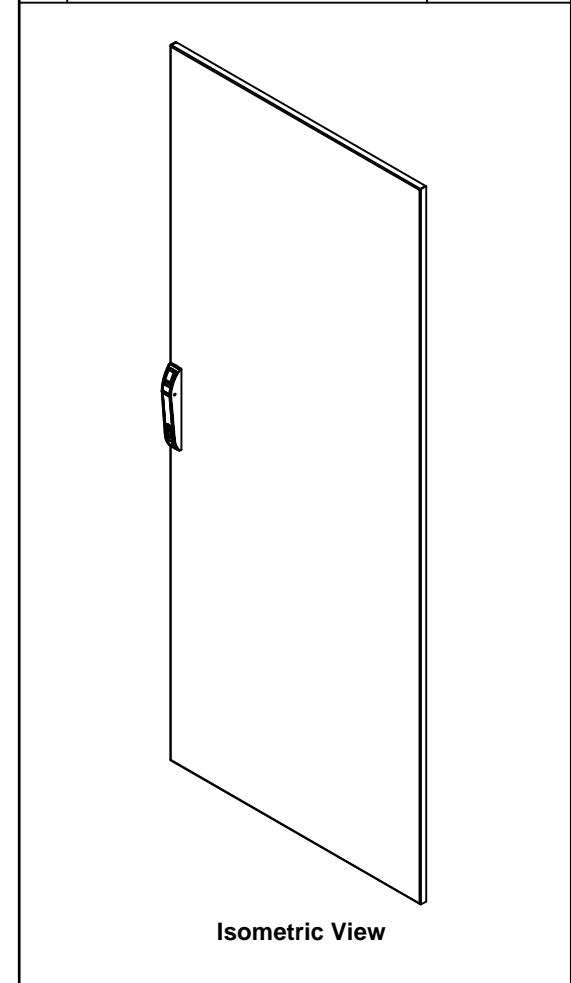


FRONT




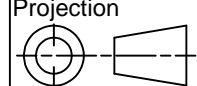
RIGHT

| No. | Revisions | Date | By/Par |
|-----|-----------|------|--------|
| | | | |
| | | | |
| | | | |
| | | | |
| | | | |



Isometric View



| | | |
|--|---------------------------|---|
|  Tél: (450) 979-4373 Fax: (450) 979-4626 www.exmweb.com | | Flatness Aplatissement Max 3.0mm Projection  |
| Customer Client | Date | |
| Drawn By Dessiné Par | BoxCad: Annie | Date 07/08/2014 |
| Material Matière | 14 Ga H.R.P. & O. (1.7mm) | |
| Color Couleur | Light Grey RAL7035 | Finish Fin Rough Textured |
| Description | | Detail Rev. |
| 6500 MXD 2000mm x 800mm Front | | |
| Part Number Numéro Pièce | Rev. 0 | 1 / 3 |
| 6500MXK200812F | | |

SEE BILL OF MATERIAL ON LAST PAGE

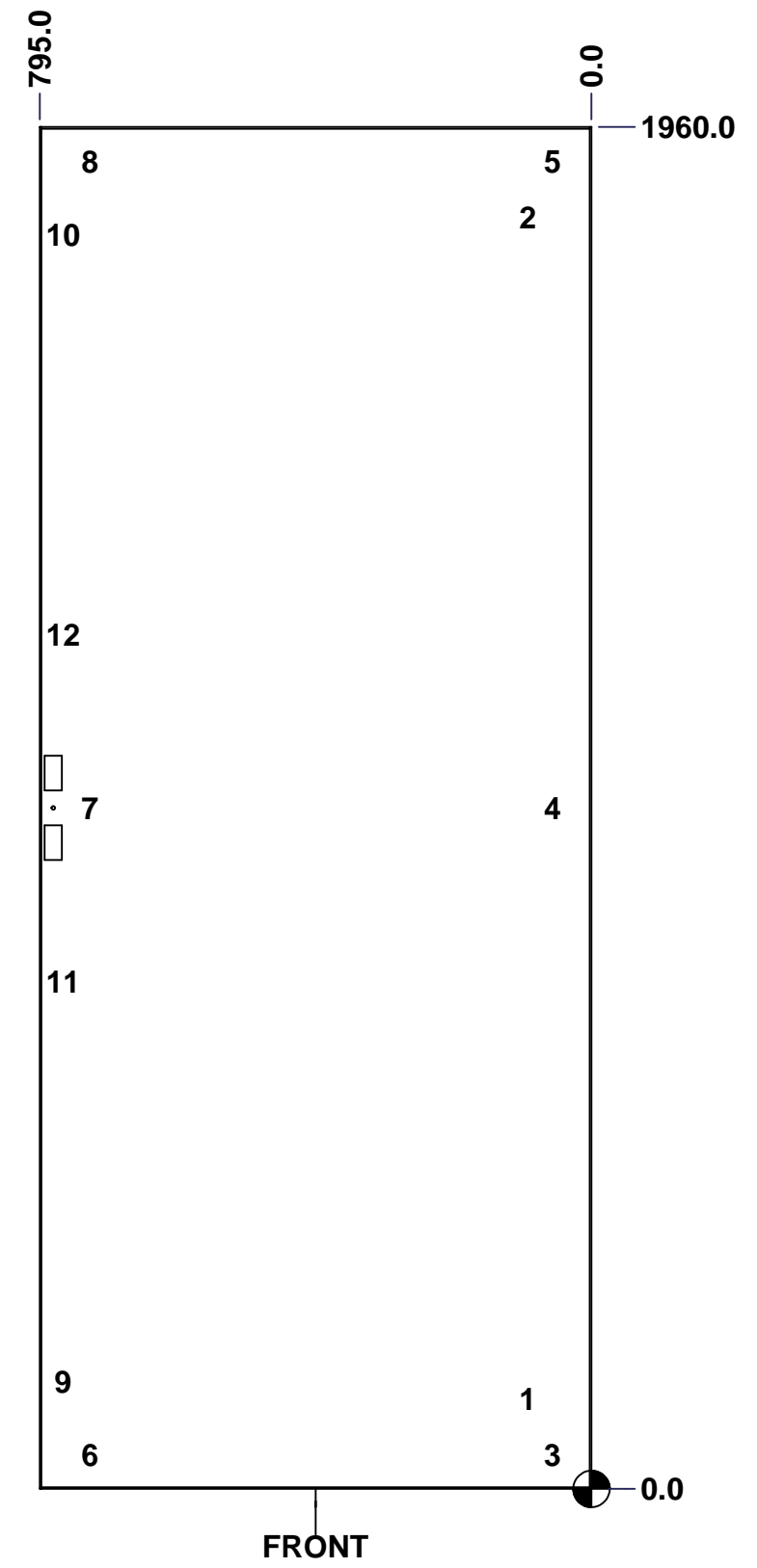
This drawing is confidential and must not be reproduced or used without the consent of EXM

Ce dessin est confidentiel et ne doit pas être reproduit ou utilisé sans le consentement de EXM

STANDARD FEATURES ARE NOT LISTED IN THIS HOLE TABLE

HOLE TABLE - FRONT VIEW (CUSTOM FEATURE ONLY)

| CUT-OUT | XDIM | YDIM | DESCRIPTION |
|---------|-------|--------|--------------------------------|
| 1 | 100.0 | 130.0 | GND STUD M6 x 16mm (Inside) |
| 2 | 100.0 | 1830.0 | GND STUD M6 x 16mm (Inside) |
| 3 | 64.5 | 49.5 | STIFF. STUD M6 x 18mm (Inside) |
| 4 | 64.5 | 980.0 | STIFF. STUD M6 x 18mm (Inside) |
| 5 | 64.5 | 1910.5 | STIFF. STUD M6 x 18mm (Inside) |
| 6 | 730.5 | 49.5 | STIFF. STUD M6 x 18mm (Inside) |
| 7 | 730.5 | 980.0 | STIFF. STUD M6 x 18mm (Inside) |
| 8 | 730.5 | 1910.5 | STIFF. STUD M6 x 18mm (Inside) |
| 9 | 769.5 | 155.0 | CLOSING BAR GUIDE (Inside) |
| 10 | 769.5 | 1805.0 | CLOSING BAR GUIDE (Inside) |
| 11 | 769.5 | 730.0 | CLOSING BAR GUIDE (Inside) |
| 12 | 769.5 | 1230.0 | CLOSING BAR GUIDE (Inside) |

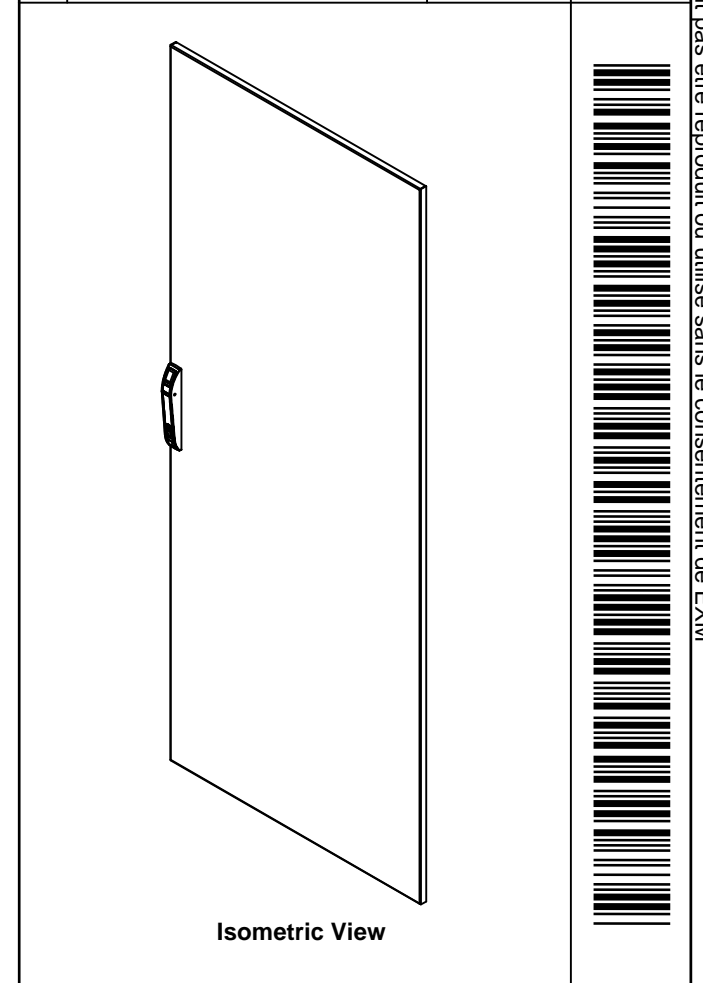


| | | |
|--|-------------------------------|----------|
| | Description | Status |
| | 6500 MXD 2000mm x 800mm Front | (NULL) |
| | Part Number Numéro Pièce | Rev. |
| | 6500MXK200812F | 0 |
| | | 2 |
| | | 3 |


This drawing is confidential and must not be reproduced or used without the consent of EXM

Ce dessin est confidentiel et ne doit pas être reproduit ou utilisé sans le consentement de EXM

| No. | Revisions | Date | By/Par |
|-----|-----------|------|--------|
| | | | |
| | | | |
| | | | |
| | | | |
| | | | |



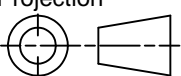
| 1 | STK-P-03820R | 0 | Powder Paint (Light Grey / Rough Textured) |
|------------|------------------|-----|--|
| 1 | 6500MXSRK | 1 | 6500 MXRSK Door Support Roller |
| 4 | STK-Q-78022 | 0 | Mtrx Closing Bar Slider |
| 1 | STK-Q-45746-20 | 1 | 6500 MXD - Lock Door Closing Bar |
| 4 | STK-Q-33105 | 4 | 5412 ESBU Buttable Hinge (Cover Part) |
| 1 | STK-Q-45729-20 | 2 | 6500 MXD - Lock Door Top Closing Bar |
| 1 | 886PHD-S | 4 | Euroform Pull Handle Kit |
| 8 | STK-Q-16055 | 1 | M6 x 18mm Stud (No Paint Cap Required) |
| 1 | 6500MXK200812DS1 | 5 | 6500 MX 2000mm x 800mm Door Stiffener |
| 1 | 6500MXK200812FG | 0 | 6500 MXD 2000mm x 800mm Front Gasket |
| 1 | 6500MXK200812F-P | 0 | 6500 MXD 2000mm x 800mm Front Part |
| 4 | STK-K-06811 | 1 | 6500 MX - Hinge Assy |
| Qty | Part Number | Rev | Description |
| Parts List | | | |



Tél: (450) 979-4373
Fax: (450) 979-4626
www.exmweb.com

Flatness
Aplatissement
Max 3.0mm

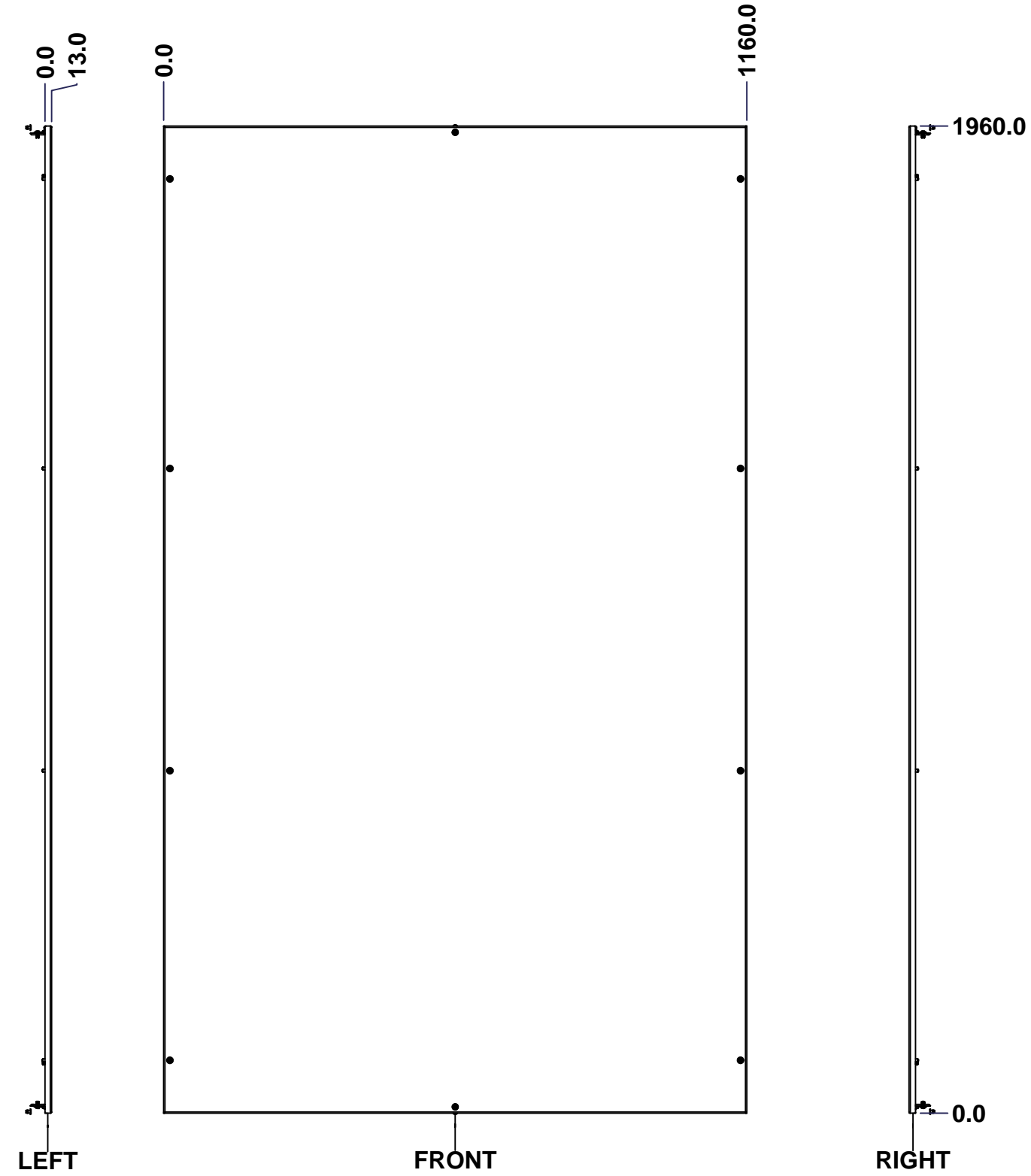
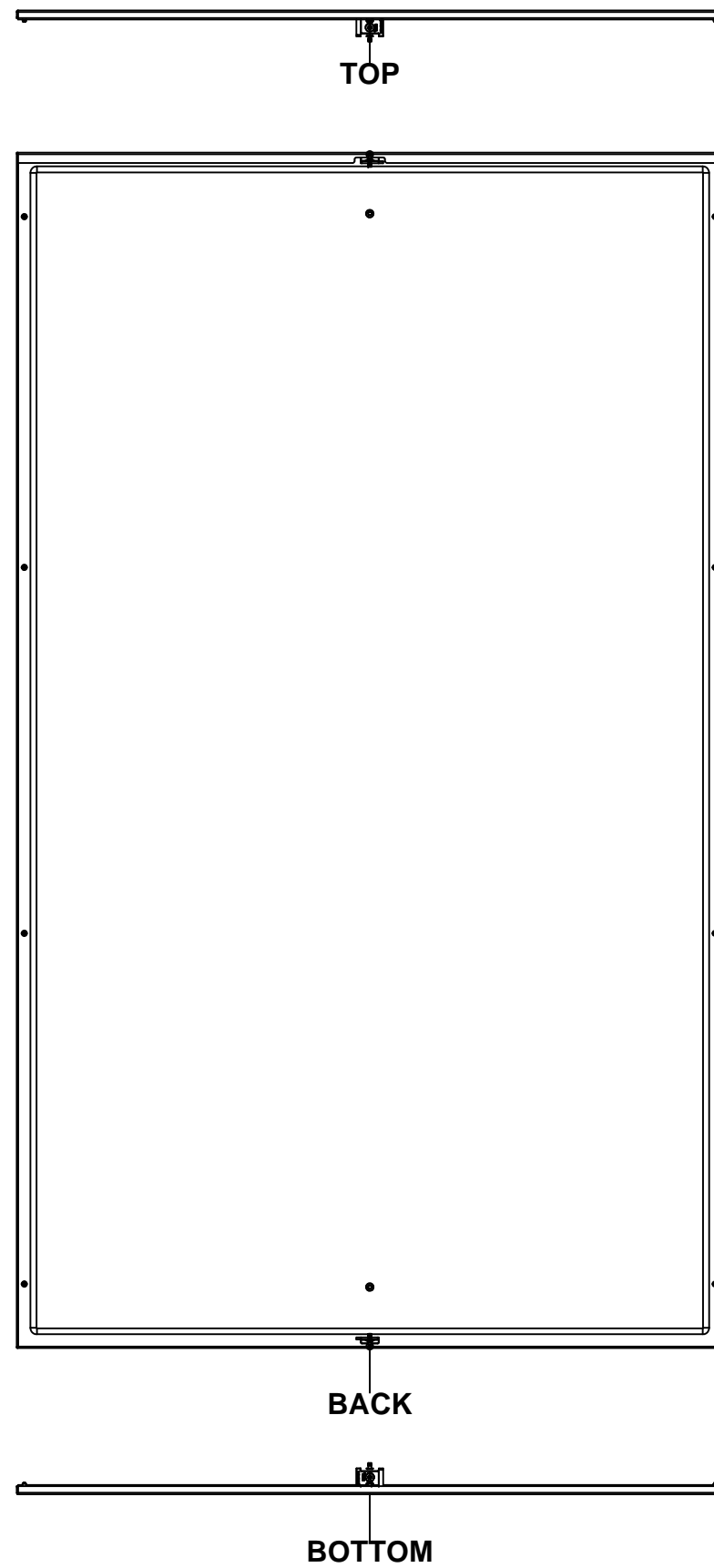
Projection



| | | |
|--|--------------------|---------------------------------|
| Customer Client | | Date |
| Drawn By Dessiné Par | BoxCad: Annie | Date 07/08/2014 |
| Material Matière 14 Ga H.R.P. & O. (1.7mm) | | |
| Color Couleur | Light Grey RAL7035 | Finish Fin Rough Textured |
| Description 6500 MXD 2000mm x 800mm Front | | Detail Rev. |
| Part Number Numéro Pièce 6500MXK200812F | | Rev. 3 0 3 |

This drawing is confidential and must not be reproduced or used without the consent of EXM

Ce dessin est confidentiel et ne doit pas être reproduit ou utilisé sans le consentement de EXM



| No. | Revisions | Date | By/Par |
|-----|-----------|------|--------|
| | | | |
| | | | |
| | | | |
| | | | |

Isometric View

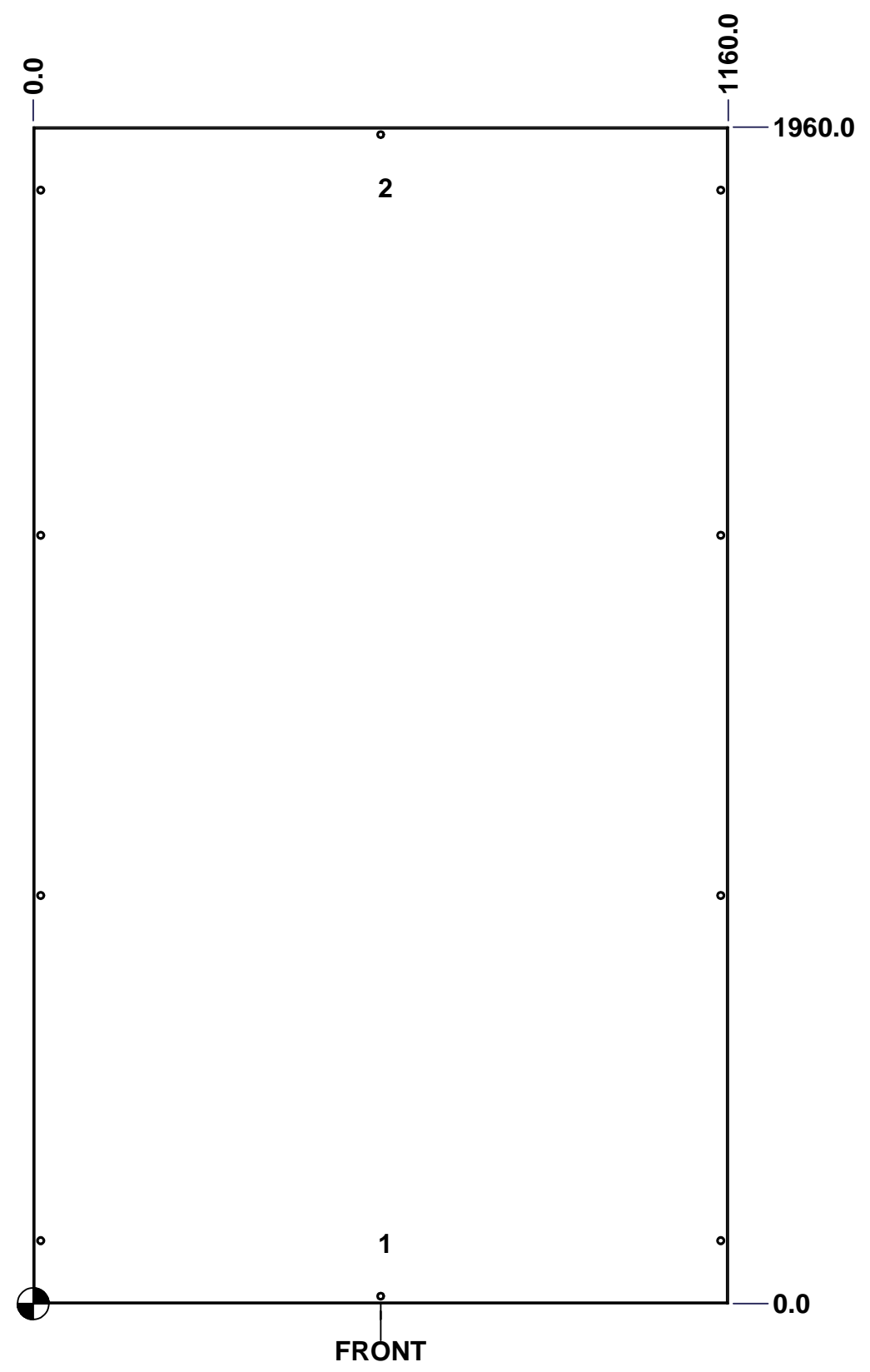
| | | | |
|---|--|-------------------------------|---|
| <p>Tél: (450) 979-4373 Fax: (450) 979-4626 www.exmweb.com</p> | | Flatness Aplatissement | |
| | | Max 3.0mm | |
| Customer Client | | Projection | |
| Date | | | |
| Drawn By Dessiné Par BoxCad: Annie | | Date 07/08/2014 | |
| Material Matière | | 14 Ga H.R.P. & O. (1.7mm) | |
| Color Couleur Light Grey RAL7035 | | Finish Fini Rough Textured | |
| Description | | Detail Rev. | |
| 6500 MXC 2000mm x 1200mm Left | | | |
| Part Number Numéro Pièce | | Rev. | 1 |
| 6500MXK200812L | | 0 | 3 |

SEE BILL OF MATERIAL ON LAST PAGE

This drawing is confidential and must not be reproduced or used without the consent of EXM

Ce dessin est confidentiel et ne doit pas être reproduit ou utilisé sans le consentement de EXM

| STANDARD FEATURES ARE NOT LISTED IN THIS HOLE TABLE | | | |
|---|-------|--------|-----------------------------|
| HOLE TABLE - FRONT VIEW (CUSTOM FEATURE ONLY) | | | |
| CUT-OUT | XDIM | YDIM | DESCRIPTION |
| 1 | 580.0 | 100.0 | GND STUD M6 x 16mm (Inside) |
| 2 | 580.0 | 1860.0 | GND STUD M6 x 16mm (Inside) |



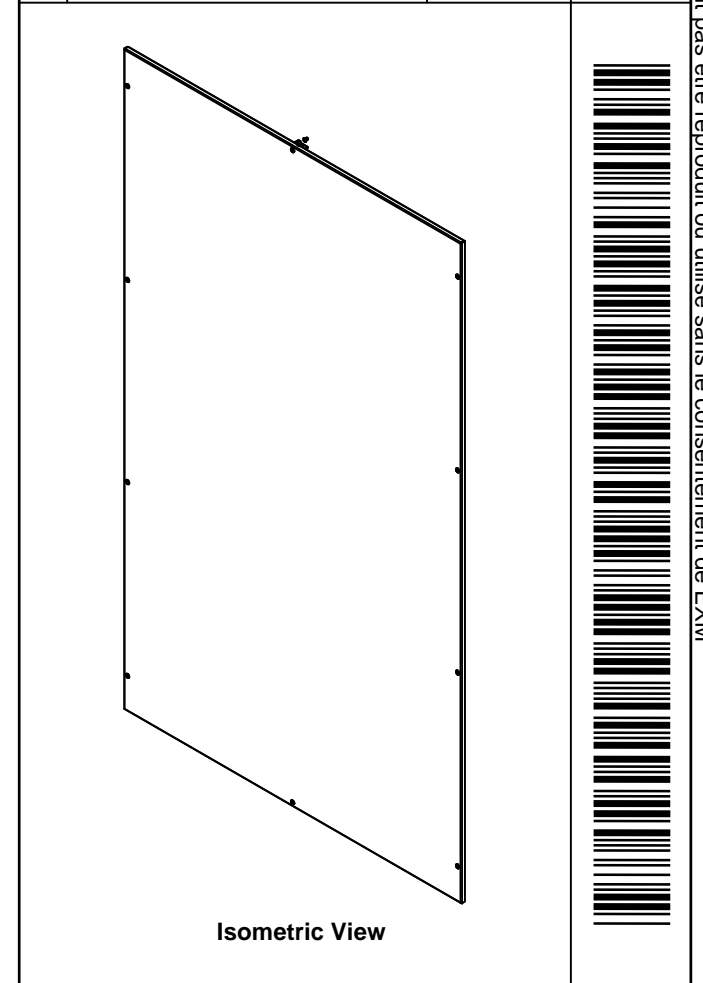
FRONT


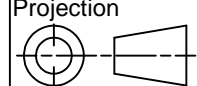
| | | |
|--|-------------------------------|----------|
| | Description | Status |
| | 6500 MXC 2000mm x 1200mm Left | (NULL) |
| | Part Number Numéro Pièce | Rev. |
| | 6500MXK200812L | 0 |
| | | 2 |
| | | 3 |

This drawing is confidential and must not be reproduced or used without the consent of EXM

Ce dessin est confidentiel et ne doit pas être reproduit ou utilisé sans le consentement de EXM

| No. | Revisions | Date | By/Par |
|-----|-----------|------|--------|
| | | | |
| | | | |
| | | | |
| | | | |
| | | | |

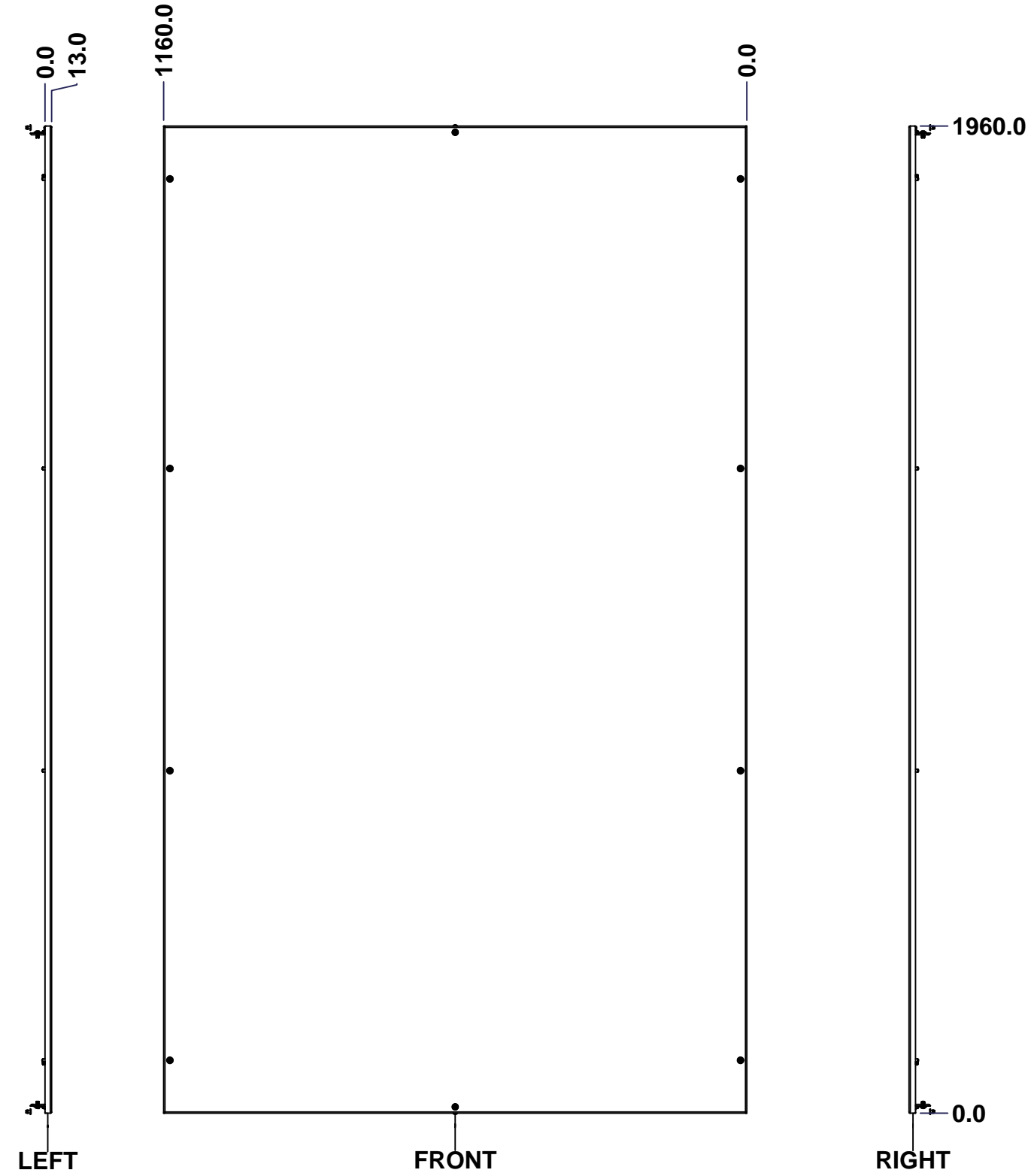
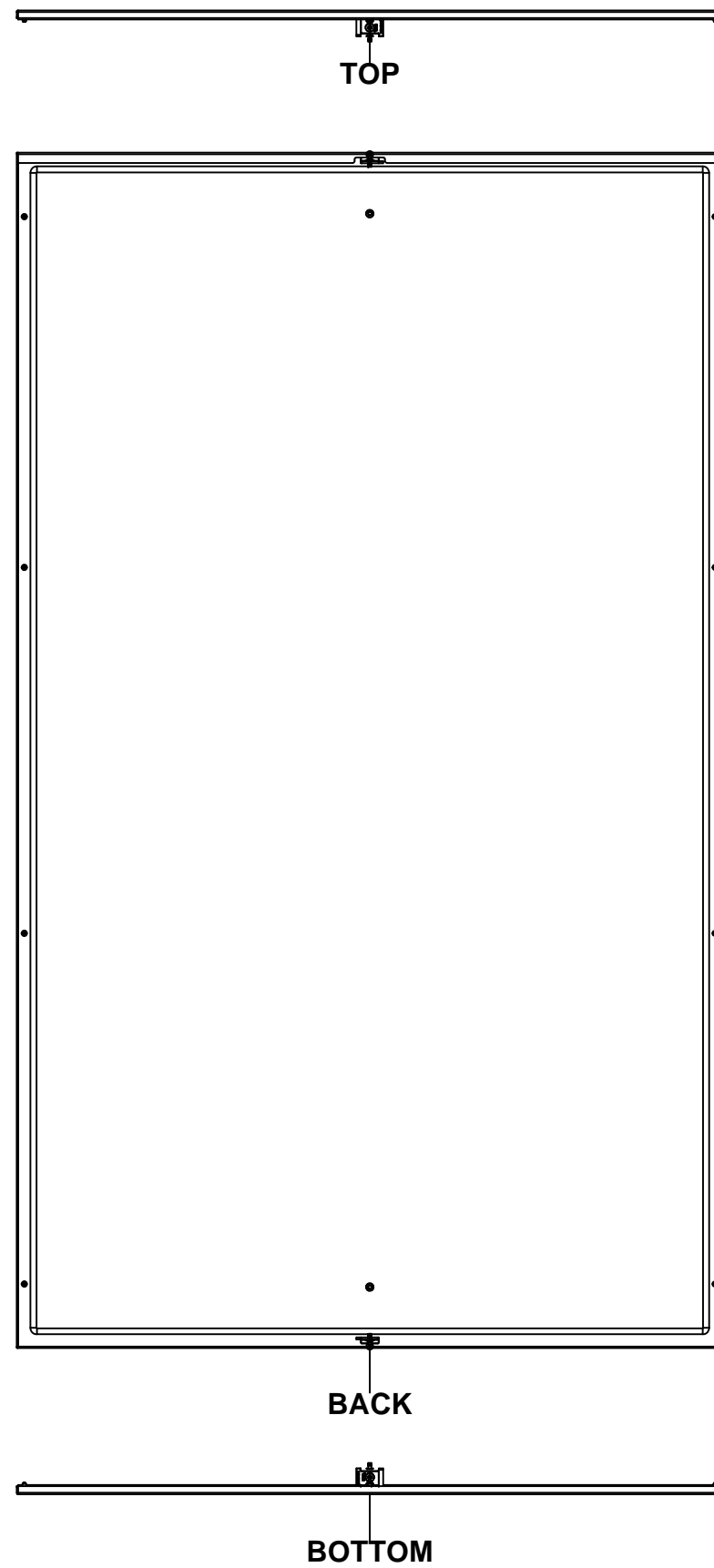


| | | |
|--|---------------------------|---|
|  Tél: (450) 979-4373 Fax: (450) 979-4626 www.exmweb.com | | Flatness Aplatissement Max 3.0mm Projection  |
| Customer Client | Date | |
| Drawn By Dessiné Par | BoxCad: Annie | Date 07/08/2014 |
| Material Matière | 14 Ga H.R.P. & O. (1.7mm) | |
| Color Couleur | Light Grey RAL7035 | Finish Fini Rough Textured |
| Description | | Detail Rev. |
| 6500 MXC 2000mm x 1200mm Left | | |
| Part Number Numéro Pièce | Rev. | 3 |
| 6500MXK200812L | 0 | 3 |

| Qty | Part Number | Rev | Description |
|------------|------------------|------|--|
| 1 | STK-P-03820R | 0 | Powder Paint (Light Grey / Rough Textured) |
| 2 | STK-Q-77120 | 1 | 6500MX-Frame Rubber Plug |
| 10 | STK-Q-03072 | 2 | M6 x 17mm Phillips Flat Head Screw |
| 2 | STK-Q-16080 | 0.1. | M6 x 16mm Ground Stud |
| | | 1 | |
| 1 | 6500MXK200812LG | 0 | 6500 MXC 2000mm x 1200mm Left Gasket |
| 1 | 6500MXK200812L-P | 0 | 6500 MXC 2000mm x 1200mm Left Part |
| 2 | STK-K-11010 | 3 | Partial Fixed Bracket Kit |
| | | | |
| Parts List | | | |

This drawing is confidential and must not be reproduced or used without the consent of EXM

Ce dessin est confidentiel et ne doit pas être reproduit ou utilisé sans le consentement de EXM



| No. | Revisions | Date | By/Par |
|-----|-----------|------|--------|
| | | | |
| | | | |
| | | | |
| | | | |
| | | | |

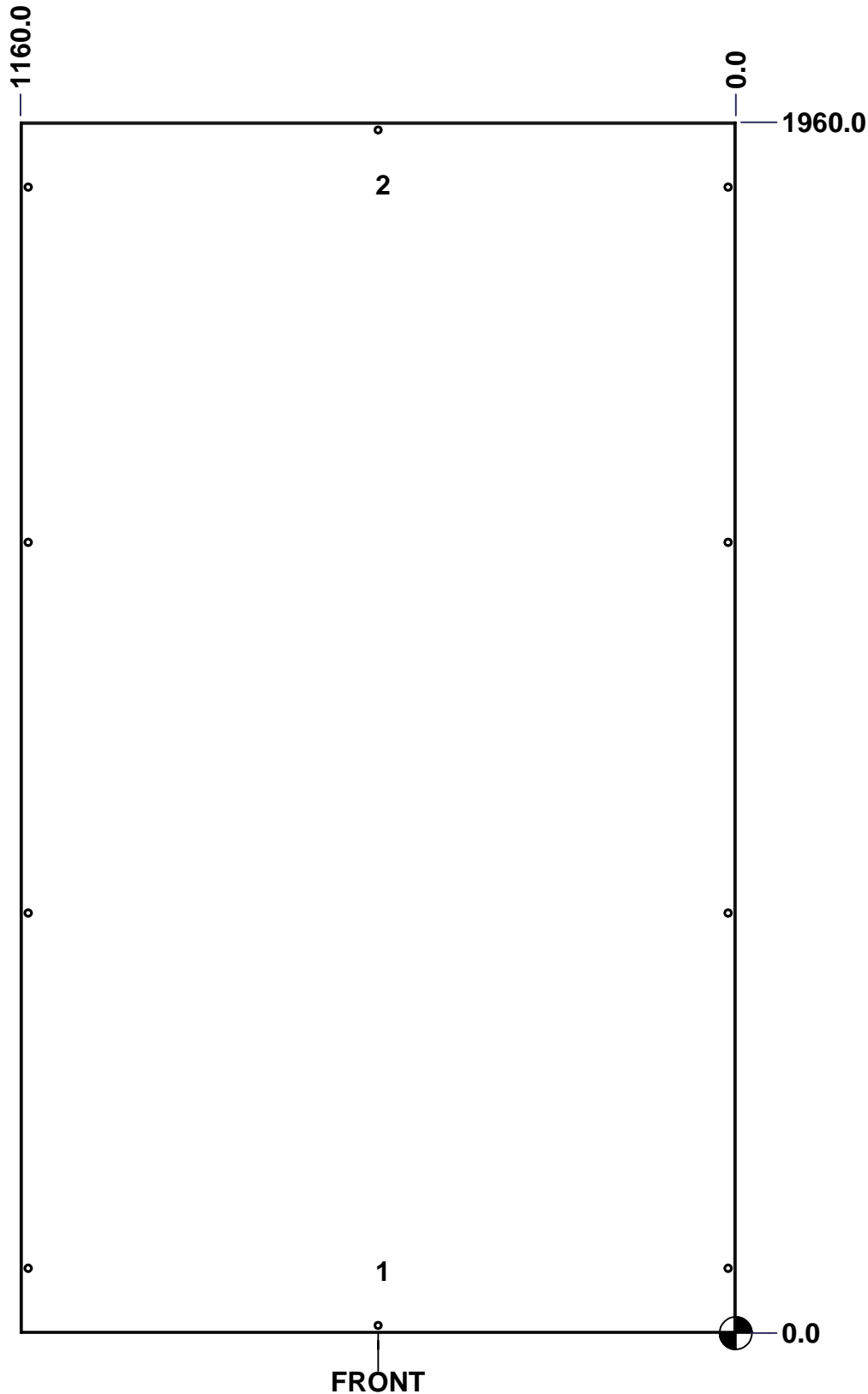
Isometric View

| | | | |
|--|--|---------------------------|----------------|
| Tél: (450) 979-4373 Fax: (450) 979-4626 www.exmweb.com | | Flatness Aplatissement | |
| | | Max 3.0mm | |
| Customer Client | | Projection | |
| Date | | | |
| Drawn By Dessiné Par | | Date | |
| BoxCad: Annie | | 07/08/2014 | |
| Material Matière | | 14 Ga H.R.P. & O. (1.7mm) | |
| Color Couleur | | Light Grey RAL7035 | Finish Fini |
| Description | | Rough Textured | |
| 6500 MXC 2000mm x 1200mm Right | | Detail Rev. | |
| Part Number Numéro Pièce | | Rev. | 1 |
| SEE BILL OF MATERIAL ON LAST PAGE 6500MXK200812R | | 0 | 3 |

This drawing is confidential and must not be reproduced or used without the consent of EXM

Ce dessin est confidentiel et ne doit pas être reproduit ou utilisé sans le consentement de EXM

| STANDARD FEATURES ARE NOT LISTED IN THIS HOLE TABLE | | | |
|---|-------|--------|-----------------------------|
| HOLE TABLE - FRONT VIEW (CUSTOM FEATURE ONLY) | | | |
| CUT-OUT | XDIM | YDIM | DESCRIPTION |
| 1 | 580.0 | 100.0 | GND STUD M6 x 16mm (Inside) |
| 2 | 580.0 | 1860.0 | GND STUD M6 x 16mm (Inside) |

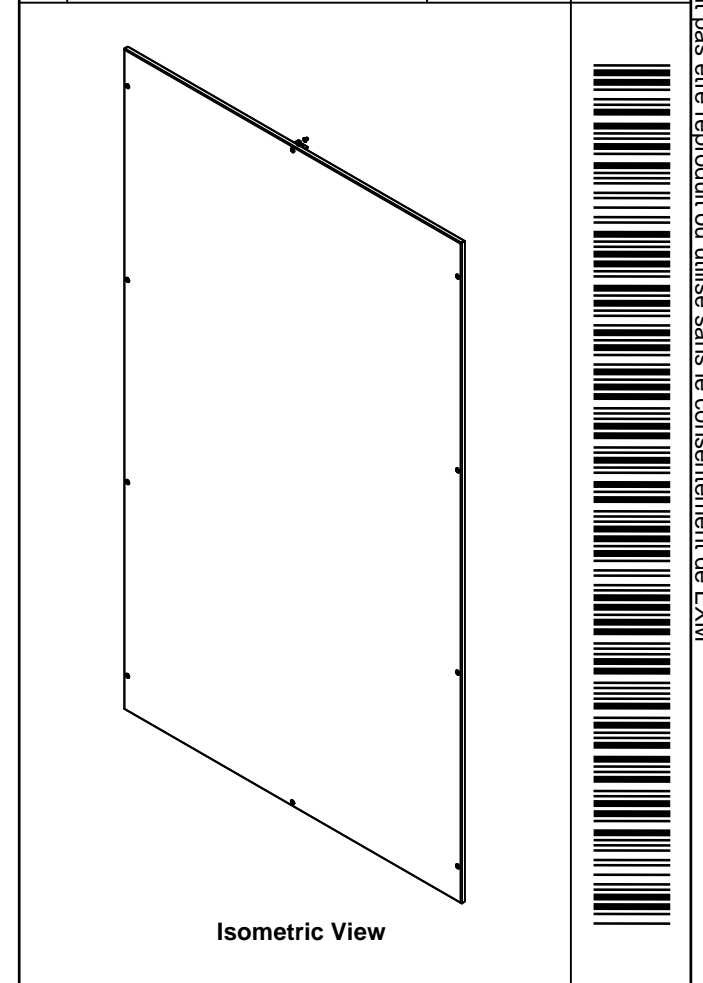



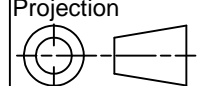
| | | | |
|--|--------------------------------|----------|-------|
| | Description | Status | |
| | 6500 MXC 2000mm x 1200mm Right | (NULL) | |
| | Part Number Numéro Pièce | Rev. | |
| | 6500MXK200812R | 0 | 2 / 3 |

This drawing is confidential and must not be reproduced or used without the consent of EXM

Ce dessin est confidentiel et ne doit pas être reproduit ou utilisé sans le consentement de EXM

| No. | Revisions | Date | By/Par |
|-----|-----------|------|--------|
| | | | |
| | | | |
| | | | |
| | | | |
| | | | |



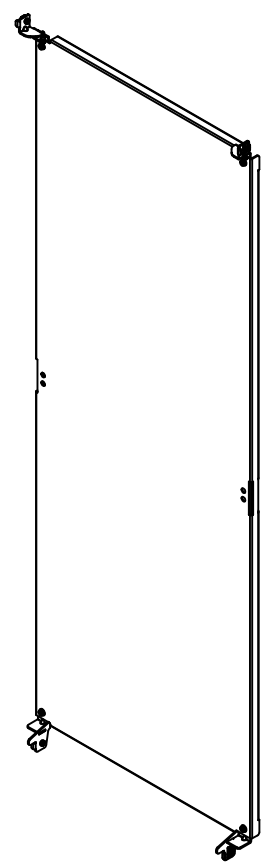
| | | |
|--|---------------------------|---|
|  Tél: (450) 979-4373 Fax: (450) 979-4626 www.exmweb.com | | Flatness Aplatissement Max 3.0mm Projection  |
| Customer Client | Date | |
| Drawn By Dessiné Par | BoxCad: Annie | Date 07/08/2014 |
| Material Matière | 14 Ga H.R.P. & O. (1.7mm) | |
| Color Couleur | Light Grey RAL7035 | Finish Fini Rough Textured |
| Description 6500 MXC 2000mm x 1200mm Right | | Detail Rev. |
| Part Number Numéro Pièce | 6500MXK200812R | Rev. 3 |

| Qty | Part Number | Rev | Description |
|------------|------------------|-------|--|
| 1 | STK-P-03820R | 0 | Powder Paint (Light Grey / Rough Textured) |
| 2 | STK-Q-77120 | 1 | 6500MX-Frame Rubber Plug |
| 10 | STK-Q-03072 | 2 | M6 x 17mm Phillips Flat Head Screw |
| 2 | STK-Q-16080 | 0.1.1 | M6 x 16mm Ground Stud |
| 1 | 6500MXK200812LG | 0 | 6500 MXC 2000mm x 1200mm Left Gasket |
| 1 | 6500MXK200812L-P | 0 | 6500 MXC 2000mm x 1200mm Left Part |
| 2 | STK-K-11010 | 3 | Partial Fixed Bracket Kit |
| Parts List | | | |


This drawing is confidential and must not be reproduced or used without the consent of EXM


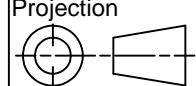
Ce dessin est confidentiel et ne doit pas être reproduit ou utilisé sans le consentement de EXM

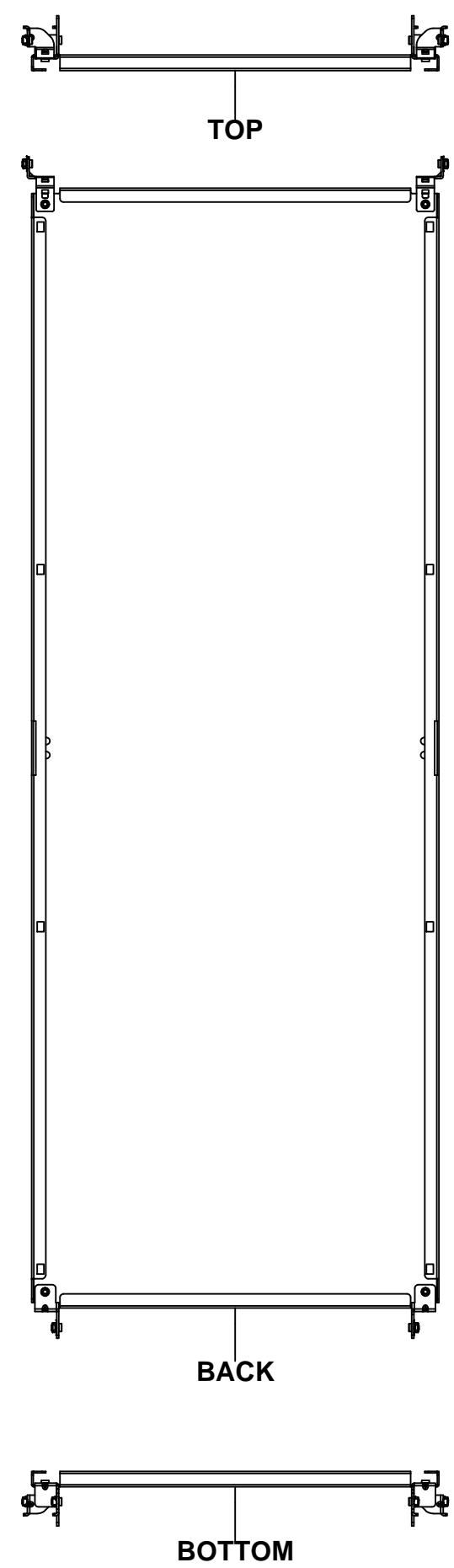
| No. | Revisions | Date | By/Par |
|-----|-----------|------|--------|
| | | | |
| | | | |
| | | | |
| | | | |
| | | | |



Isometric View



| | | |
|--|--------------------------|---|
|  Tél: (450) 979-4373 Fax: (450) 979-4626 www.exmweb.com | | Flatness Aplatissement Max 3.0mm Projection  |
| Customer Client | Date | |
| Drawn By Dessiné Par | BoxCad: Annie | Date 07/08/2014 |
| Material Matière | 12 Ga Galvanized (2.5mm) | |
| Color Couleur | Unpainted | Finish Fini Unpainted |
| Description | Detail Rev. | |
| 6500 MXM 2000mm x 800mm Back Inner Panel | | |
| Part Number Numéro Pièce | Rev. | |
| 6500MXK200812BIP | 0 | 1 / 3 |

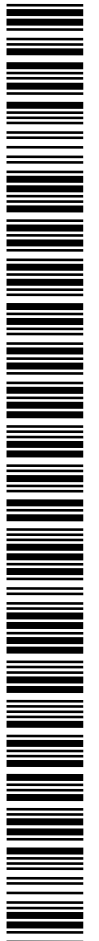
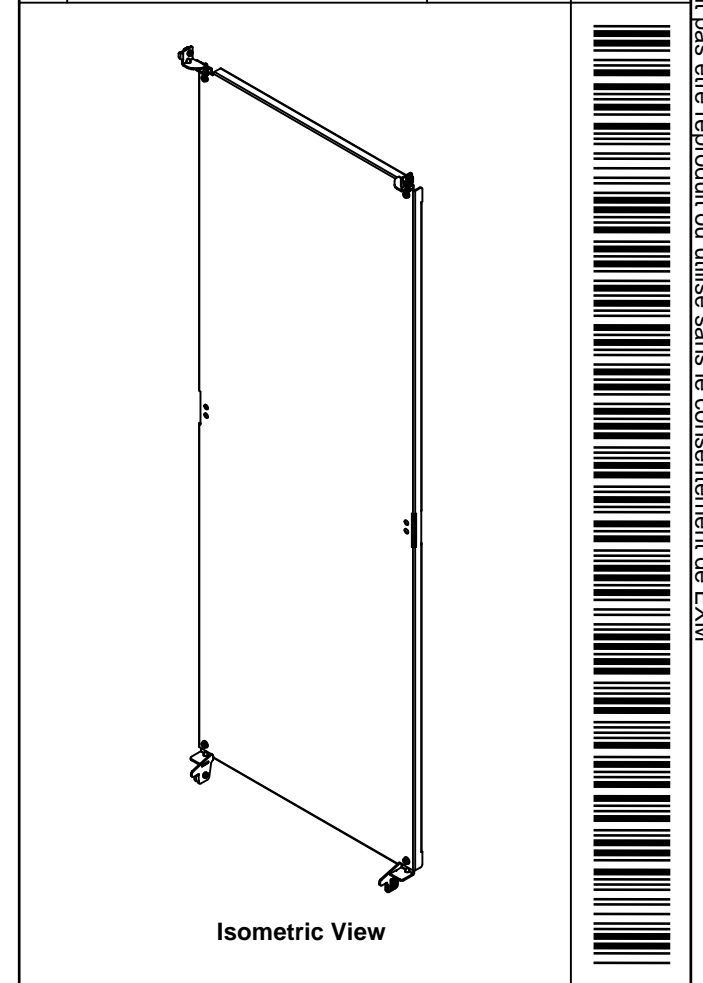


SEE BILL OF MATERIAL ON LAST PAGE

This drawing is confidential and must not be reproduced or used without the consent of EXM

Ce dessin est confidentiel et ne doit pas être reproduit ou utilisé sans le consentement de EXM

| No. | Revisions | Date | By/Par |
|-----|-----------|------|--------|
| | | | |
| | | | |
| | | | |
| | | | |
| | | | |



| | | |
|--|--------------------------|--|
| Tél: (450) 979-4373 Fax: (450) 979-4626 www.exmweb.com | | Flatness Aplatissement Max 3.0mm Projection |
| Customer Client | Date | |
| Drawn By Dessiné Par | BoxCad: Annie | Date 07/08/2014 |
| Material Matière | 12 Ga Galvanized (2.5mm) | |
| Color Couleur | Unpainted | Finish Fini Unpainted |
| Description 6500 MXM 2000mm x 800mm Back Inner Panel | | Detail Rev. |
| Part Number Numéro Pièce | 6500MXK200812BIP | Rev. 3 |
| | | 0 |

| Qty | Part Number | Rev | Description |
|------------|--------------------|-----|--|
| 1 | STK-A-49005 | 0 | 6500MXM - Bottom Inner Panel Support Kit (Right) |
| 1 | STK-A-49000 | 0 | 6500MXM - Bottom Inner Panel Support Kit (Left) |
| 1 | STK-A-49015 | 0 | 6500MXM - Top Inner Panel Support Kit (Right) |
| 1 | STK-A-49010 | 0 | 6500MXM - Top Inner Panel Support Kit (Left) |
| 1 | 6500MXK200812BIP-P | 0 | 6500 MXM 2000mm x 800mm Back Inner Panel Part |
| Parts List | | | |