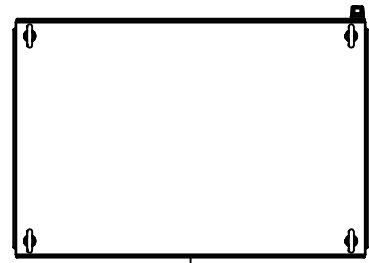
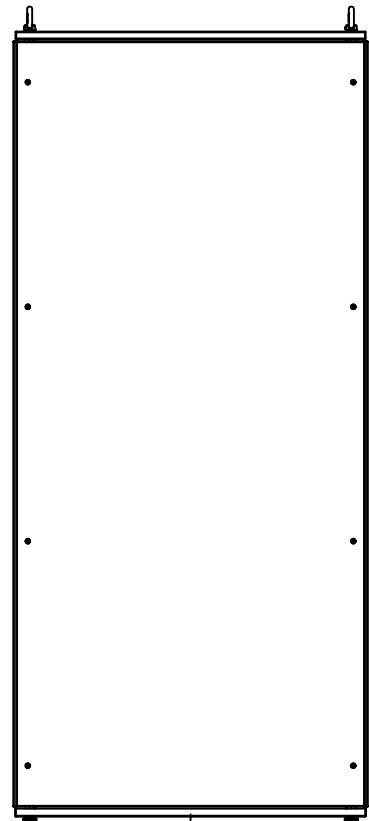


This drawing is confidential and must not be reproduced or used without the consent of EXM

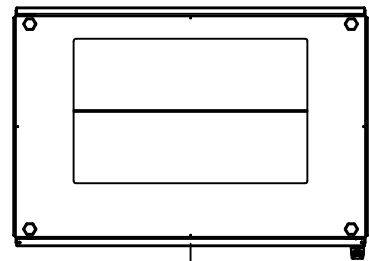
Ce dessin est confidentiel et ne doit pas être reproduit ou utilisé sans le consentement de EXM



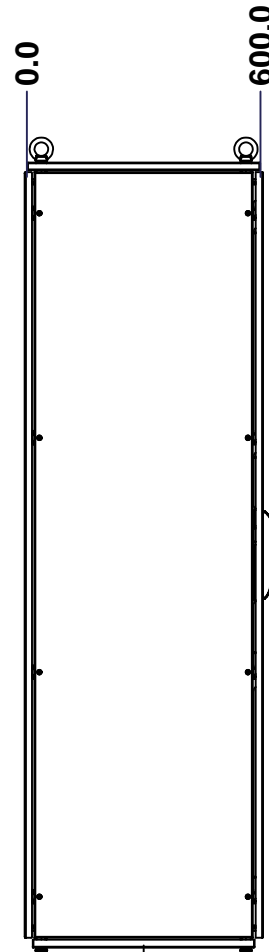
TOP



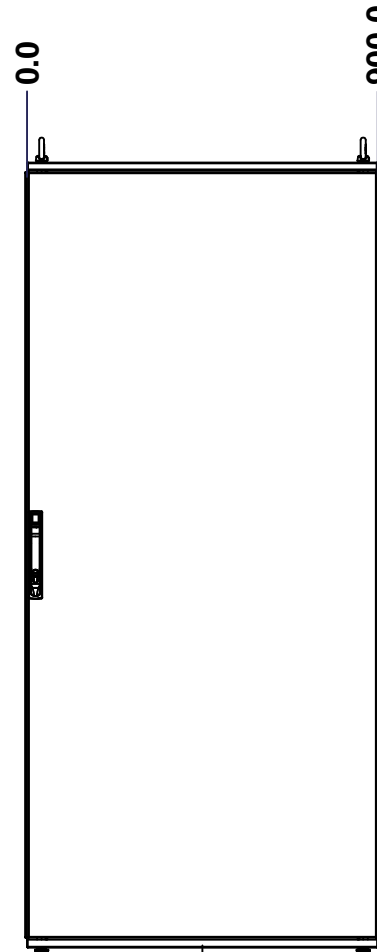
BACK



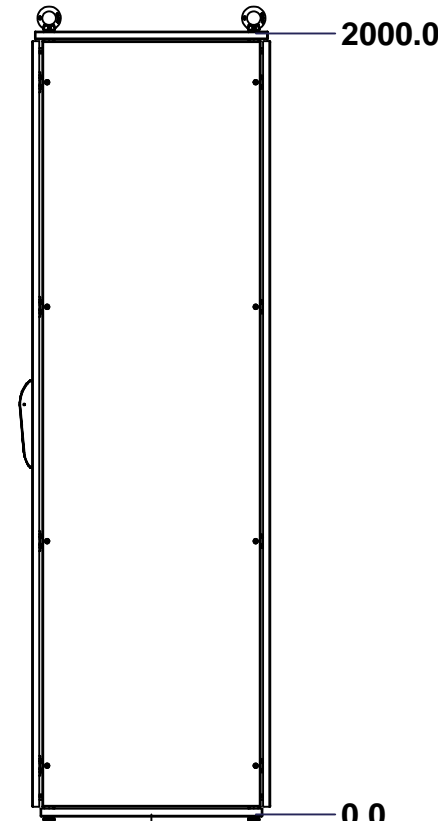
BOTTOM



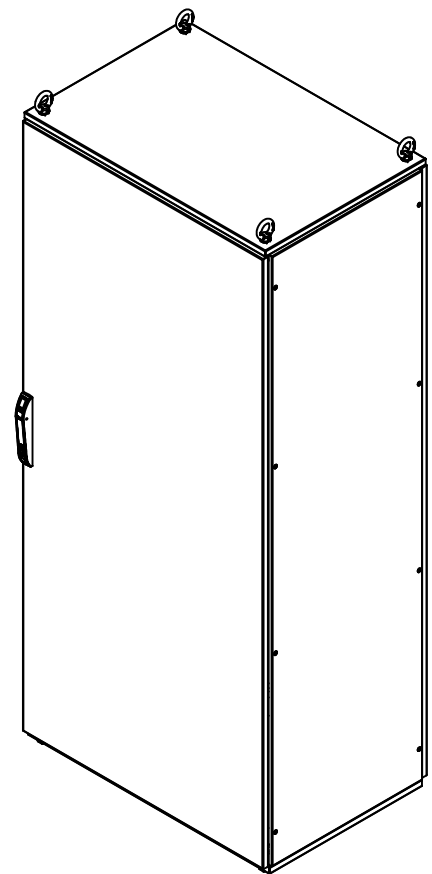
LEFT



FRONT




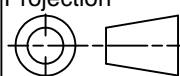
RIGHT



Isometric View



No.	Revisions	Date	By/Par

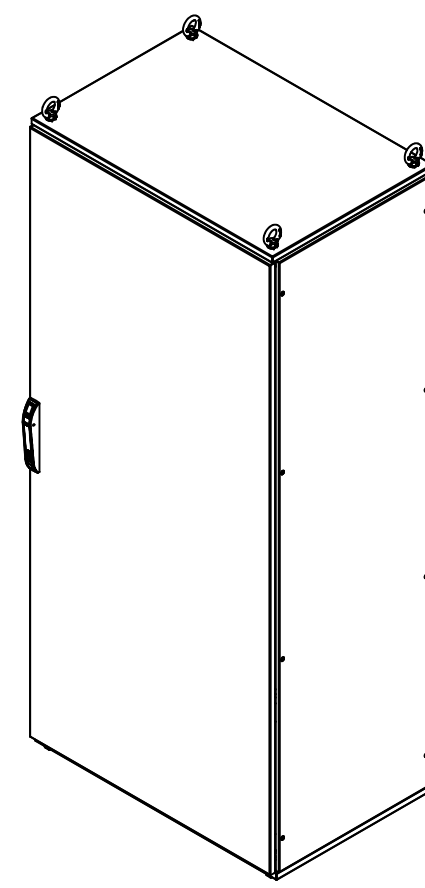
 Tél: (450) 979-4373 Fax: (450) 979-4626 <a href="http://www.exmweb.com">www.exmweb.com</a>		Flatness Aplatissement Max 3.0mm Projection 
Customer Client	Date	Date
Drawn By Dessiné Par	BoxCad: Annie	Date 08/08/2014
Material Matière	See Part List	
Color Couleur	See Part List	Finish Fini See Part List
Description	Detail Rev.	
6500MX 2000mm x 900mm x 600mm Assembly		
Part Number Numéro Pièce	Rev.	
6500MXK200906	0	1/2

SEE BILL OF MATERIAL ON LAST PAGE

This drawing is confidential and must not be reproduced or used without the consent of EXM

Ce dessin est confidentiel et ne doit pas être reproduit ou utilisé sans le consentement de EXM

No.	Revisions	Date	By/Par



Isometric View



Tél: (450) 979-4373  
 Fax: (450) 979-4626  
[www.exmweb.com](http://www.exmweb.com)

Flatness  
Aplatissement  
Max 3.0mm  
Projection

Customer Client  
 Drawn By Dessiné Par BoxCad: Annie  
 Date 08/08/2014

Material Matière See Part List

Color Couleur See Part List  
 Finish Fini See Part List

Description 6500MX 2000mm x 900mm x 600mm Assembly  
 Detail Rev.

Part Number Numéro Pièce **6500MXK200906**  
 Rev. 0

Qty	Part Number	Rev	Description
1	6500MXK200906BIP	0	6500 MXM 2000mm x 900mm Back Inner Panel
1	6500MXK200906R	0	6500 MXC 2000mm x 600mm Right
1	6500MXK200906L	0	6500 MXC 2000mm x 600mm Left
1	6500MXK200906F	0	6500 MXD 2000mm x 900mm Front
1	6500MXK200906B	0	6500 MXR 2000mm x 900mm Back
1	6500MXK200906BT	0	6500 MXB 900mm x 600mm Bottom
1	6500MXK200906T	0	6500 MXT 900mm x 600mm Top
1	6500MXK200906FR	0	6500 MX 2000mm x 900mm x 600mm Frame
Parts List			

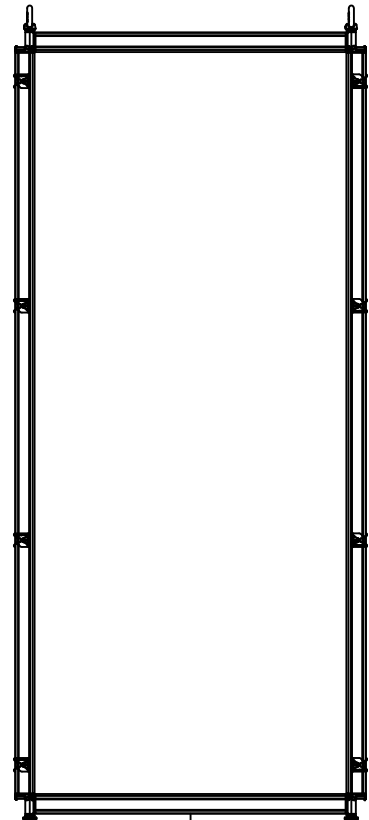
Rev.	2
0	2

This drawing is confidential and must not be reproduced or used without the consent of EXM

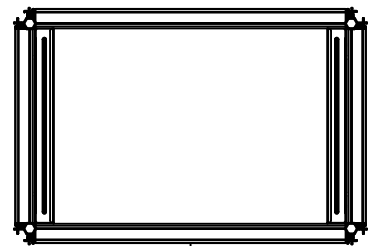
Ce dessin est confidentiel et ne doit pas être reproduit ou utilisé sans le consentement de EXM



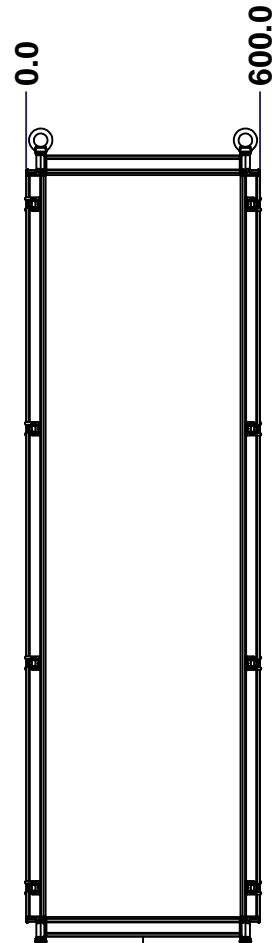
TOP



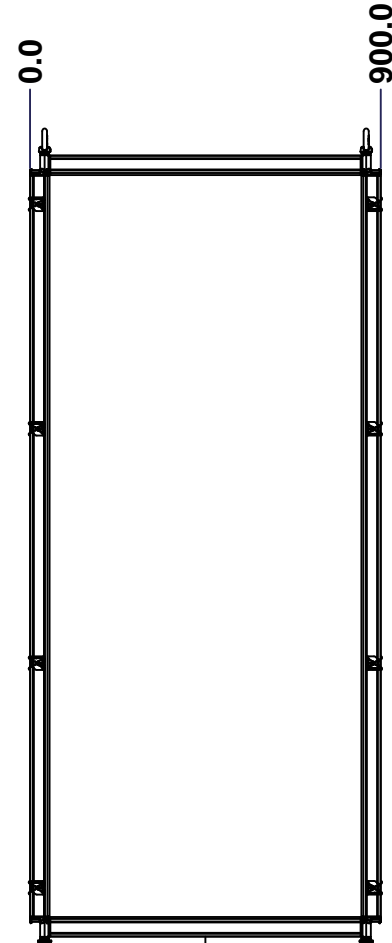
BACK



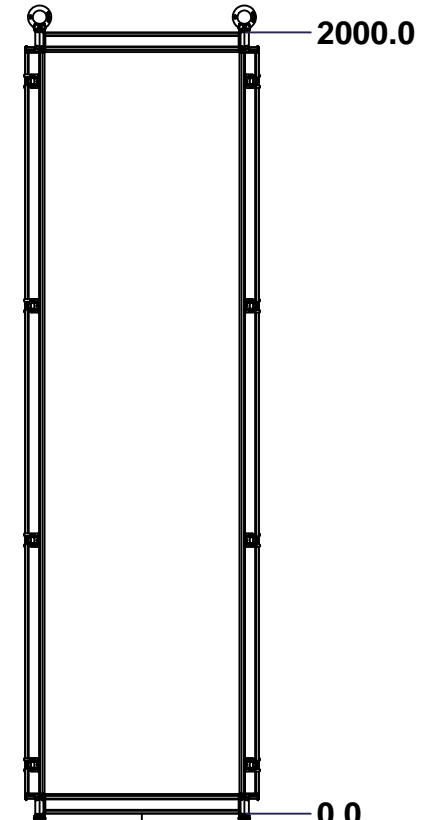
BOTTOM



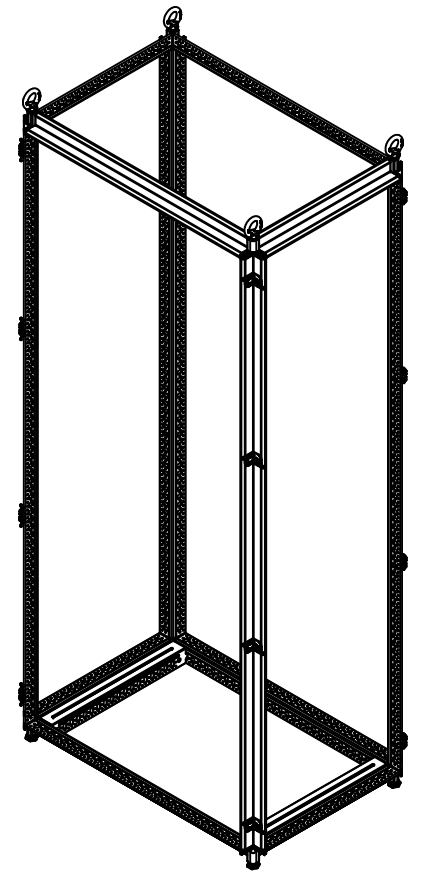
LEFT



FRONT




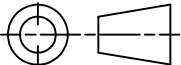
RIGHT



Isometric View



No.	Revisions	Date	By/Par

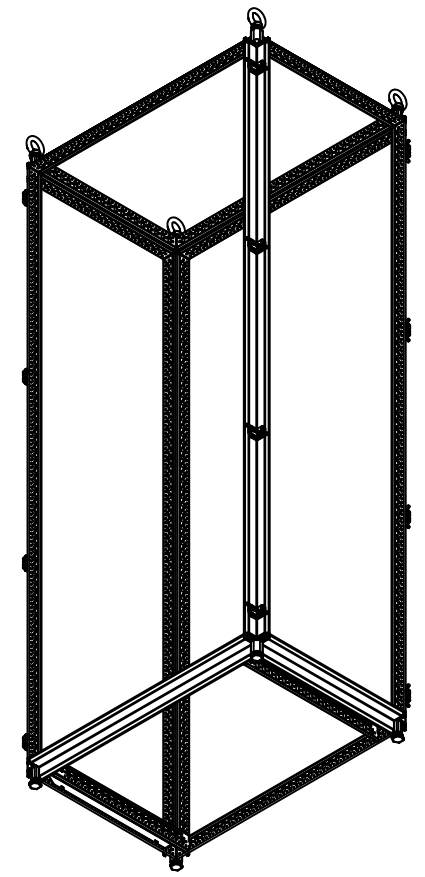
 Tél: (450) 979-4373 Fax: (450) 979-4626 <a href="http://www.exmweb.com">www.exmweb.com</a>		Flatness Aplatissement Max 3.0mm Projection 
Customer Client	Date	
Drawn By Dessiné Par	BoxCad: Annie	Date 08/08/2014
Material Matière	16 Ga Electro-Galvanized (1.4mm)	
Color Couleur	Iron Grey RAL7011	Finish Fin Rough Textured
Description	Detail Rev.	
6500 MX 2000mm x 900mm x 600mm Frame		
Part Number Numéro Pièce	Rev.	
<b>6500MXK200906FR</b>	<b>0</b>	1 2

SEE BILL OF MATERIAL ON LAST PAGE

This drawing is confidential and must not be reproduced or used without the consent of EXM

Ce dessin est confidentiel et ne doit pas être reproduit ou utilisé sans le consentement de EXM

No.	Revisions	Date	By/Par



Isometric View



Tél: (450) 979-4373  
 Fax: (450) 979-4626  
[www.exmweb.com](http://www.exmweb.com)

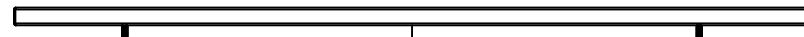
Flatness  
Aplatissement  
Max 3.0mm  
Projection

1	STK-P-03810R	0	Powder Paint (Iron Grey / Rough Textured)
1	STK-Q-49060	3	6500 MXM Inner Panel Slider 600mm
1	STK-Q-49060-L	3	6500 MXM Inner Panel Slider 600mm
4	STK-Q-49500	3	M12 Eye Bolt (0.34T)
4	STK-Q-61110	0	M12 Feet Leveler
8	STK-Q-00610	1	M18 x 30.5mm Bolt - Cover
4	STK-Q-47251-20	3	6500 MX 2000mm Vertical Frame Post Part
4	STK-Q-47250-09	3	6500 MX 900mm Horizontal Frame Post Part
4	STK-Q-47250-06	3	6500 MX 600mm Horizontal Frame Post Part
8	STK-Q-49445	2	6500 MX - Frame Corner Bracket Casting
16	STK-K-11001	2	3 Way Fixed Bracket Kit
Qty	Part Number	Rev	Description
Parts List			

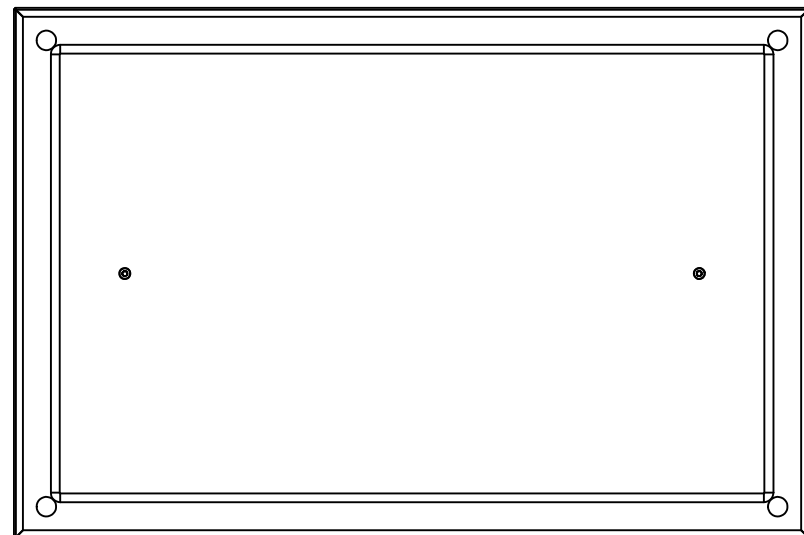
Customer Client	Date
Drawn By / Dessiné Par: BoxCad: Annie	Date: 08/08/2014
Material / Matière: 16 Ga Electro-Galvanized (1.4mm)	
Color / Couleur: Iron Grey RAL7011	Finish / Fini: Rough Textured
Description: 6500 MX 2000mm x 900mm x 600mm Frame	Detail Rev.
Part Number / Numéro Pièce: <b>6500MXK200906FR</b>	Rev. <b>0</b>
	2 / 2

This drawing is confidential and must not be reproduced or used without the consent of EXM

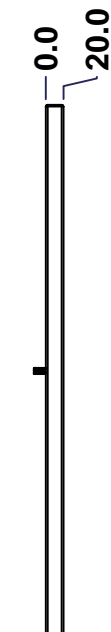
Ce dessin est confidentiel et ne doit pas être reproduit ou utilisé sans le consentement de EXM



TOP



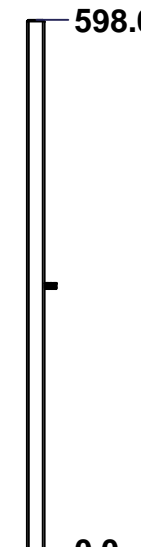
BACK



LEFT



FRONT

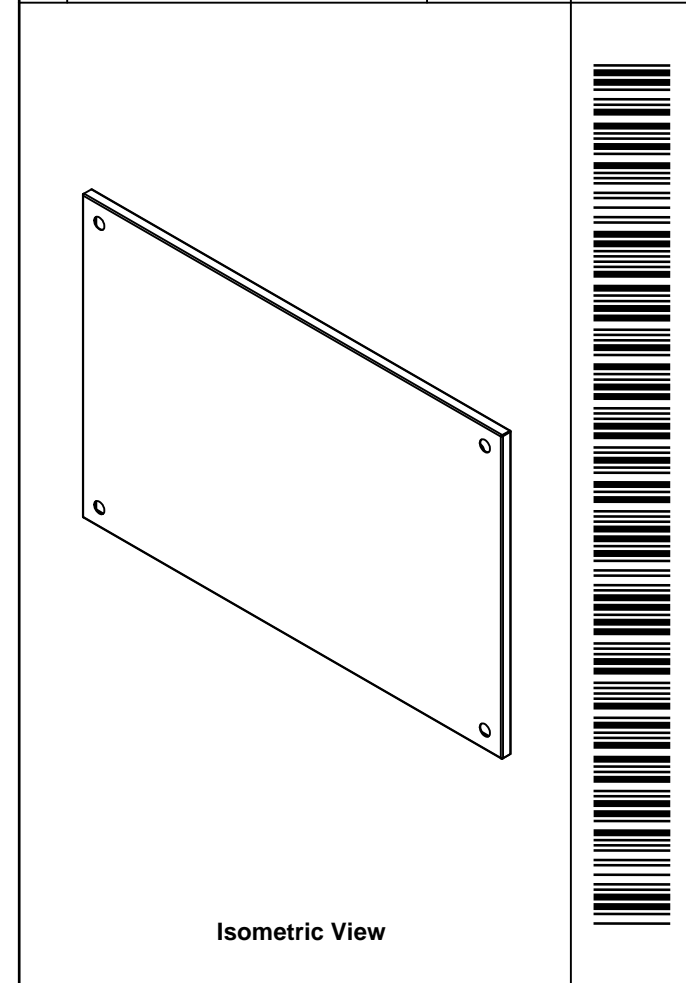


RIGHT





BOTTOM

No.	Revisions	Date	By/Par



Isometric View

 Tél: (450) 979-4373 Fax: (450) 979-4626 <a href="http://www.exmweb.com">www.exmweb.com</a>		Flatness Aplatissement Max 3.0mm Projection 
Customer Client	Date	
Drawn By Dessiné Par	BoxCad: Annie	Date 08/08/2014
Material Matière	16 Ga H.R.P. & O. (1.4mm)	
Color Couleur	Iron Grey RAL7011	Finish Fini Rough Textured
Description 6500 MXT 900mm x 600mm Top		Detail Rev.
Part Number Numéro Pièce	Rev. 0	1 3

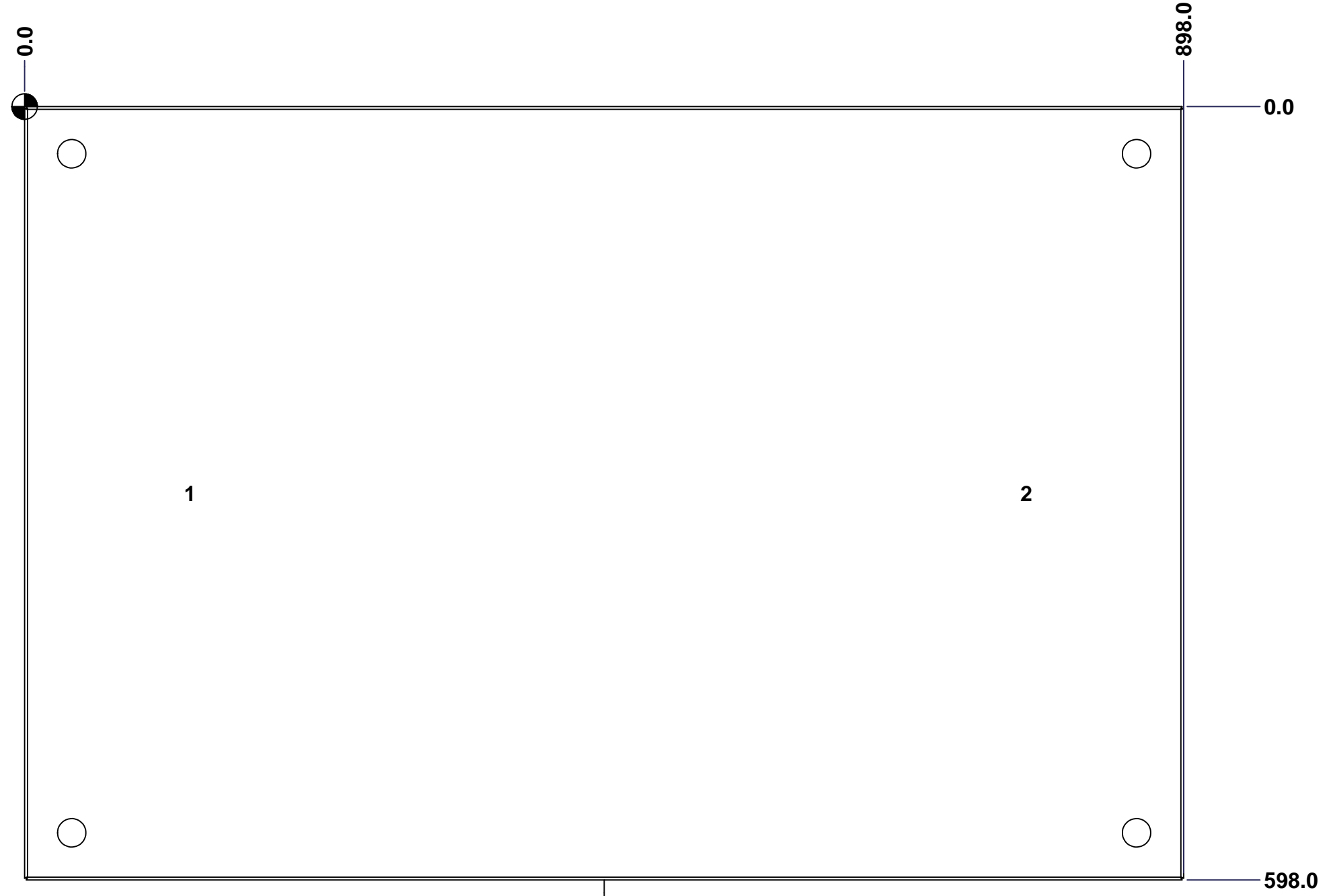
SEE BILL OF MATERIAL ON LAST PAGE

**6500MXK200906T**

This drawing is confidential and must not be reproduced or used without the consent of EXM

Ce dessin est confidentiel et ne doit pas être reproduit ou utilisé sans le consentement de EXM

STANDARD FEATURES ARE NOT LISTED IN THIS HOLE TABLE			
HOLE TABLE - FRONT VIEW (CUSTOM FEATURE ONLY)			
CUT-OUT	XDIM	YDIM	DESCRIPTION
1	125.0	299.0	GND STUD M6 x 16mm (Inside)
2	773.0	299.0	GND STUD M6 x 16mm (Inside)



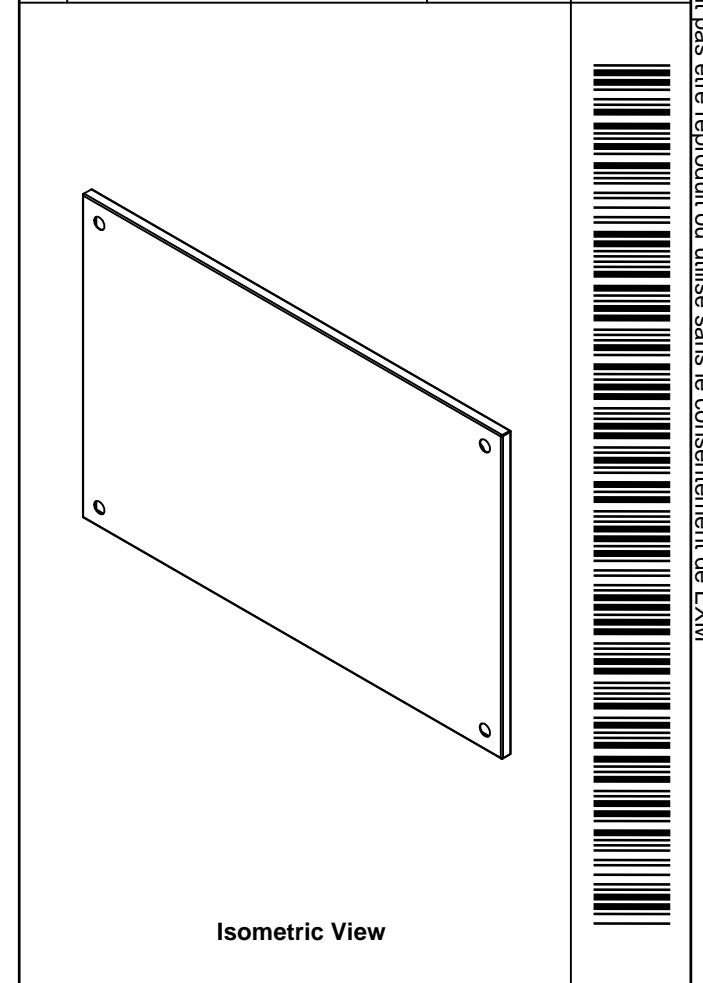
FRONT


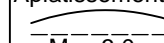
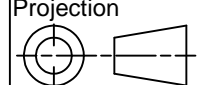
	Description		Status
	6500 MXT 900mm x 600mm Top		(NULL)
Part Number Numéro Pièce		Rev.	2
<b>6500MXK200906T</b>		<b>0</b>	3

This drawing is confidential and must not be reproduced or used without the consent of EXM

Ce dessin est confidentiel et ne doit pas être reproduit ou utilisé sans le consentement de EXM

No.	Revisions	Date	By/Par

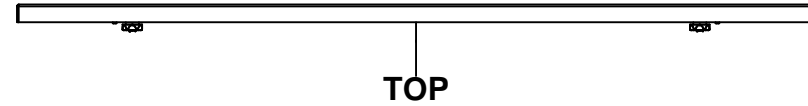


 Tél: (450) 979-4373 Fax: (450) 979-4626 <a href="http://www.exmweb.com">www.exmweb.com</a>		Flatness Aplatissement  Max 3.0mm Projection 
Customer Client	Date	
Drawn By Dessiné Par	BoxCad: Annie	Date 08/08/2014
Material Matière	16 Ga H.R.P. & O. (1.4mm)	
Color Couleur	Iron Grey RAL7011	Finish Fini Rough Textured
Description	Detail Rev.	
6500 MXT 900mm x 600mm Top		
Part Number Numéro Pièce	Rev.	3
<b>6500MXK200906T</b>	<b>0</b>	<b>3</b>

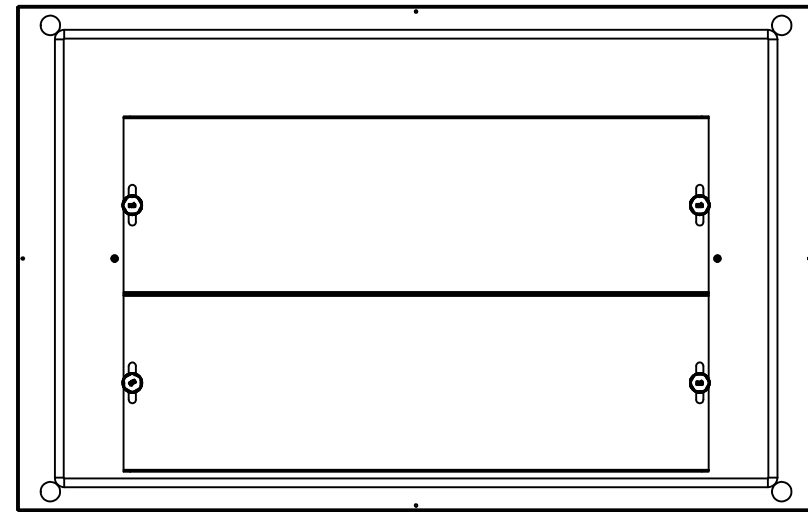
Qty	Part Number	Rev	Description
1	STK-P-03810R	0	Powder Paint (Iron Grey / Rough Textured)
2	STK-Q-16080	0.1.1	M6 x 16mm Ground Stud
1	6500MXK200906TG	0	6500 MXT 900mm x 600mm Top Gasket
1	6500MXK200906T-P	0	6500 MXT 900mm x 600mm Top Part
Parts List			

This drawing is confidential and must not be reproduced or used without the consent of EXM

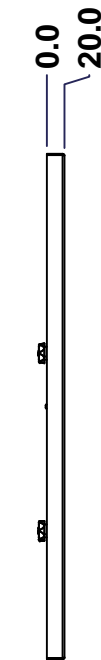
Ce dessin est confidentiel et ne doit pas être reproduit ou utilisé sans le consentement de EXM



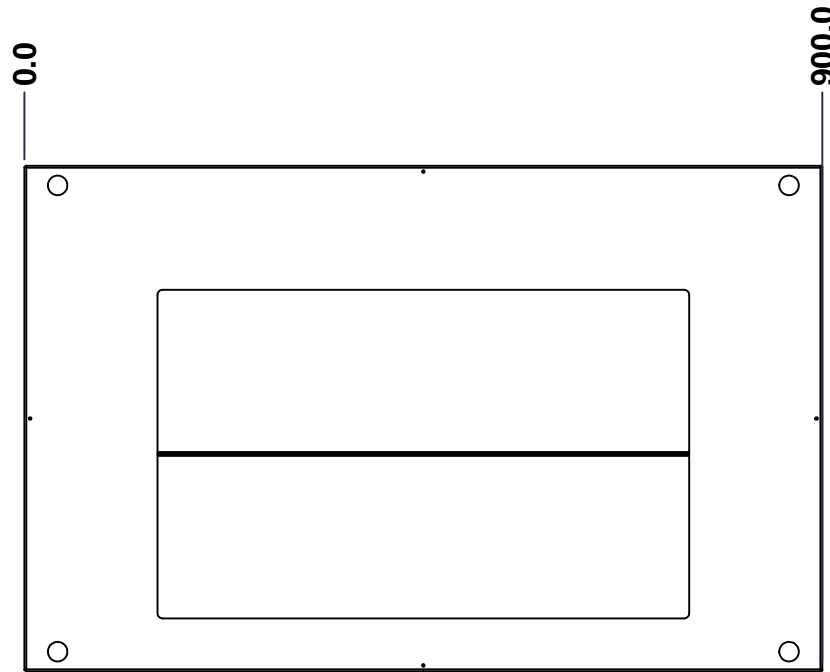
TOP



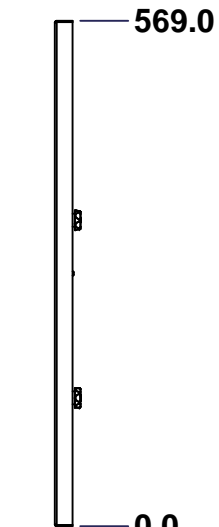
BACK



LEFT



FRONT



RIGHT



BOTTOM

No.	Revisions	Date	By/Par

Isometric View

<p>Tél: (450) 979-4373 Fax: (450) 979-4626 <a href="http://www.exmweb.com">www.exmweb.com</a></p>		Flatness Aplatissement	
		Max 3.0mm	
Customer Client		Date	
Drawn By Dessiné Par		Date	
Material Matière		Projection	
16 Ga H.R.P. & O. (1.4mm)			
Color Couleur		Finish Fini	
Iron Grey RAL7011		Rough Textured	
Description		Detail Rev.	
6500 MXB 900mm x 600mm Bottom			
Part Number Numéro Pièce		Rev.	
6500MXK200906BT		0	1 3

SEE BILL OF MATERIAL ON LAST PAGE



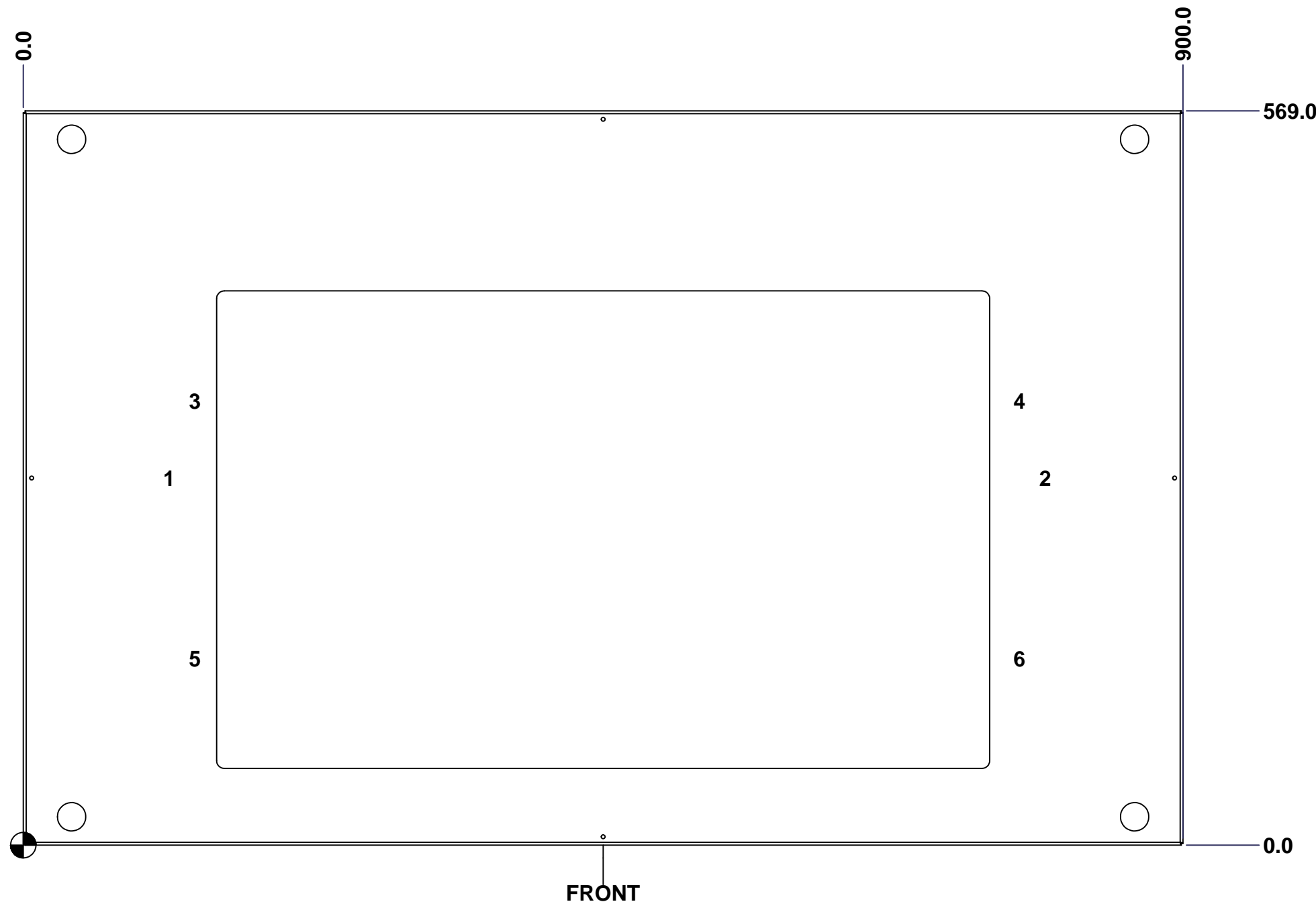
This drawing is confidential and must not be reproduced or used without the consent of EXM

Ce dessin est confidentiel et ne doit pas être reproduit ou utilisé sans le consentement de EXM

**STANDARD FEATURES ARE NOT LISTED IN THIS HOLE TABLE**

**HOLE TABLE - FRONT VIEW (CUSTOM FEATURE ONLY)**

CUT-OUT	XDIM	YDIM	DESCRIPTION
1	110.0	284.5	GND STUD M6 x 16mm (Inside)
2	790.0	284.5	GND STUD M6 x 16mm (Inside)
3	130.0	344.5	GP STUD M6 x 10mm (Inside)
4	770.0	344.5	GP STUD M6 x 10mm (Inside)
5	130.0	144.5	GP STUD M6 x 10mm (Inside)
6	770.0	144.5	GP STUD M6 x 10mm (Inside)

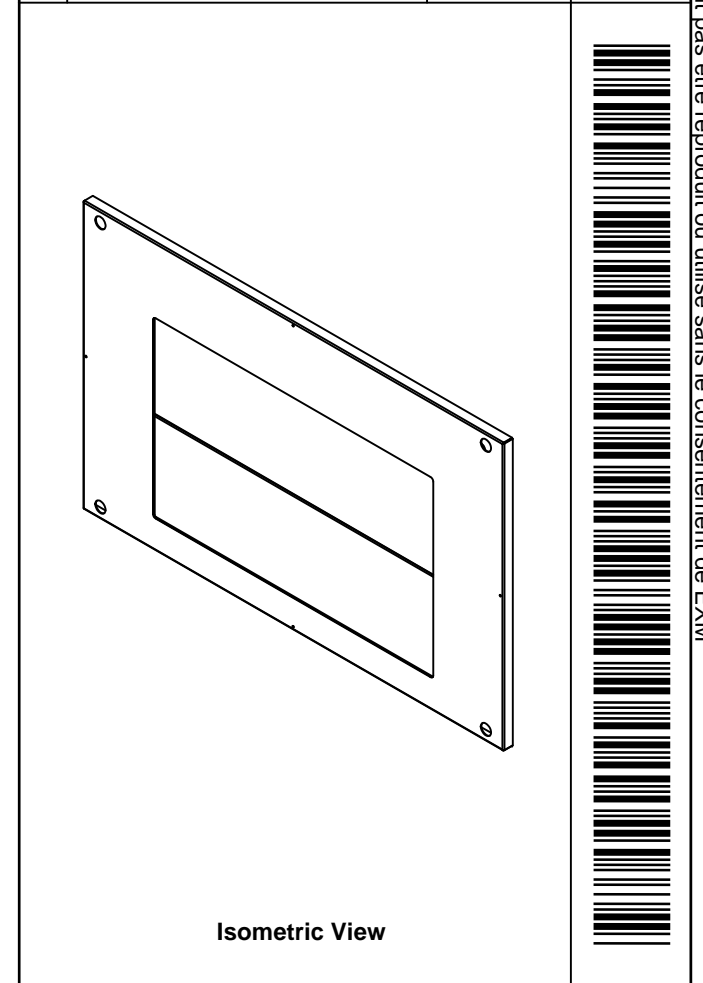


	Description	Status
	6500 MXB 900mm x 600mm Bottom	(NULL)
	Part Number	Rev.
	Numéro Pièce	2
	<b>6500MXK200906BT</b>	<b>0</b>
		3

This drawing is confidential and must not be reproduced or used without the consent of EXM

Ce dessin est confidentiel et ne doit pas être reproduit ou utilisé sans le consentement de EXM

No.	Revisions	Date	By/Par

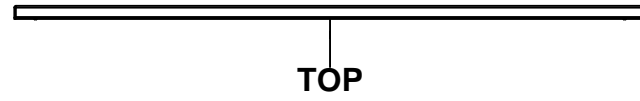


Tél: (450) 979-4373 Fax: (450) 979-4626 <a href="http://www.exmweb.com">www.exmweb.com</a>		Flatness Aplatissement	
		Max 3.0mm Projection	
Customer Client		Date	
Drawn By Dessiné Par BoxCad: Annie		Date 08/08/2014	
Material Matière		16 Ga H.R.P. & O. (1.4mm)	
Color Couleur Iron Grey RAL7011		Finish Fini Rough Textured	
Description 6500 MXB 900mm x 600mm Bottom			Detail Rev.
Part Number Numéro Pièce		Rev.	3
<b>6500MXK200906BT</b>		<b>0</b>	<b>3</b>

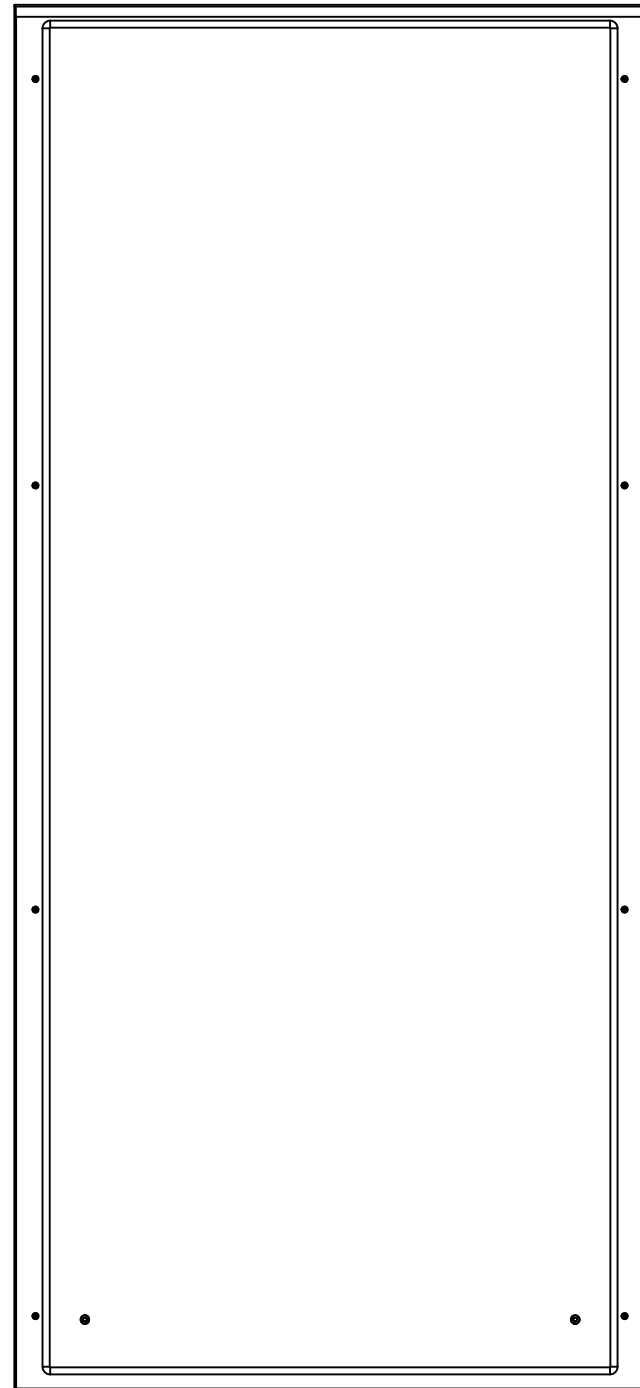
Qty	Part Number	Rev	Description
1	STK-P-03810R	0	Powder Paint (Iron Grey / Rough Textured)
4	STK-Q-06001	0	Mtrx - Gland Plate M6 Plastic Thumb Nut
2	STK-Q-16055	1	M6 x 18mm Stud (No Paint Cap Required)
2	6500MXK200906GP200-P	0	6500 MXB 900mm Gland Plate Part (200mm)
4	STK-Q-16031	0	M6 x 10mm Stud (No Paint Cap Required)
1	6500MXK200906BTGPG	0	6500 MXB 900mm x 600mm Bottom Gland Plate Gasket
1	6500MXK200906BTG	0	6500 MXB 900mm x 600mm Bottom Gasket
1	6500MXK200906BT-P	0	6500 MXB 900mm x 600mm Bottom Part
Parts List			

This drawing is confidential and must not be reproduced or used without the consent of EXM

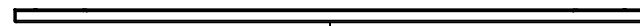
Ce dessin est confidentiel et ne doit pas être reproduit ou utilisé sans le consentement de EXM



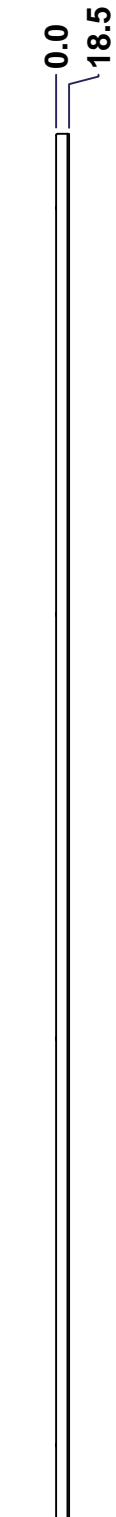
TOP



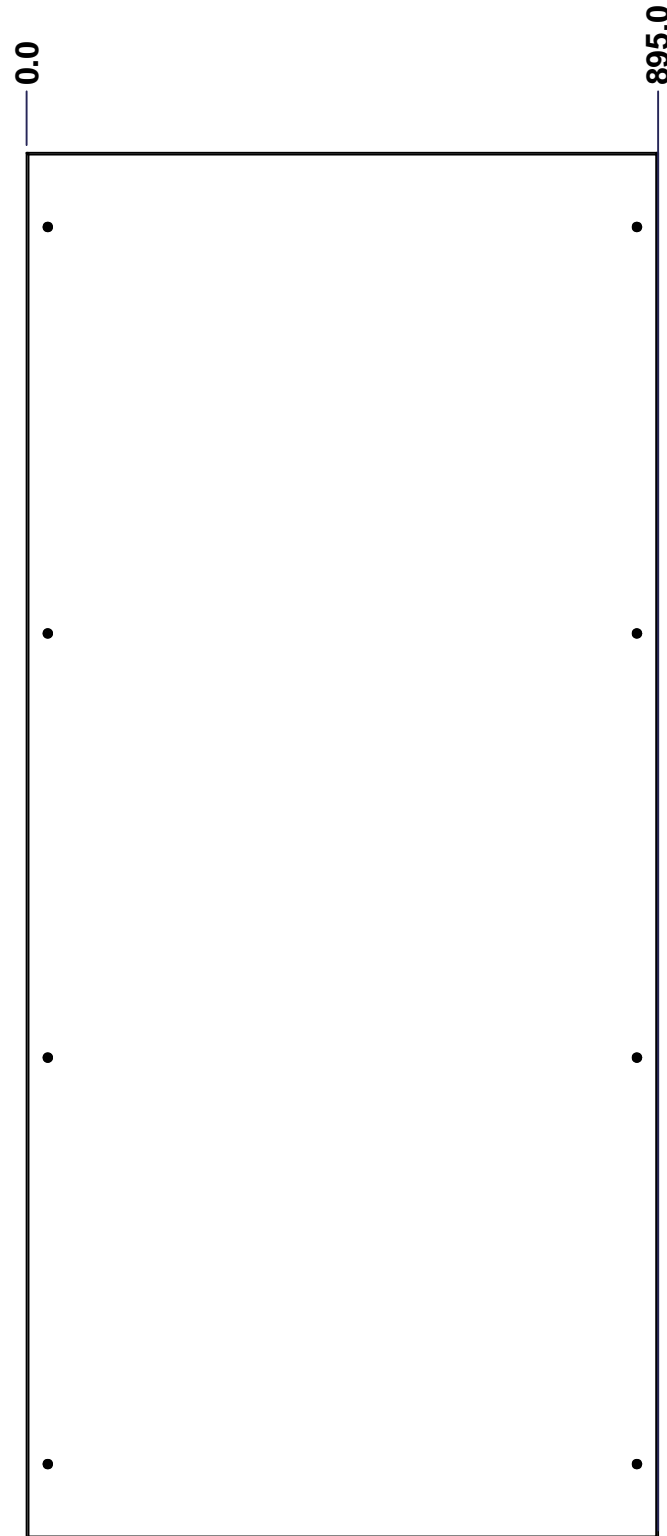
BACK



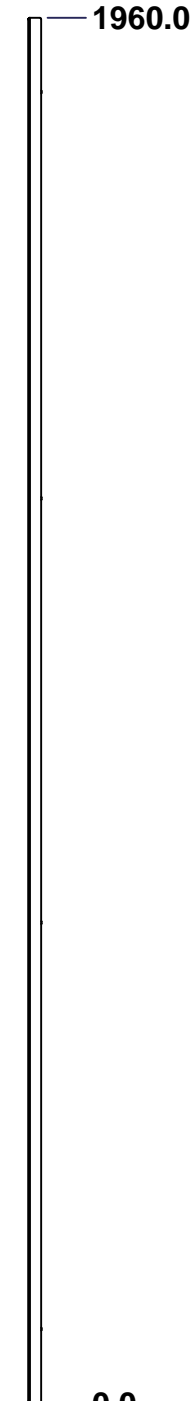
BOTTOM



LEFT



FRONT



RIGHT

No.	Revisions	Date	By/Par

Isometric View

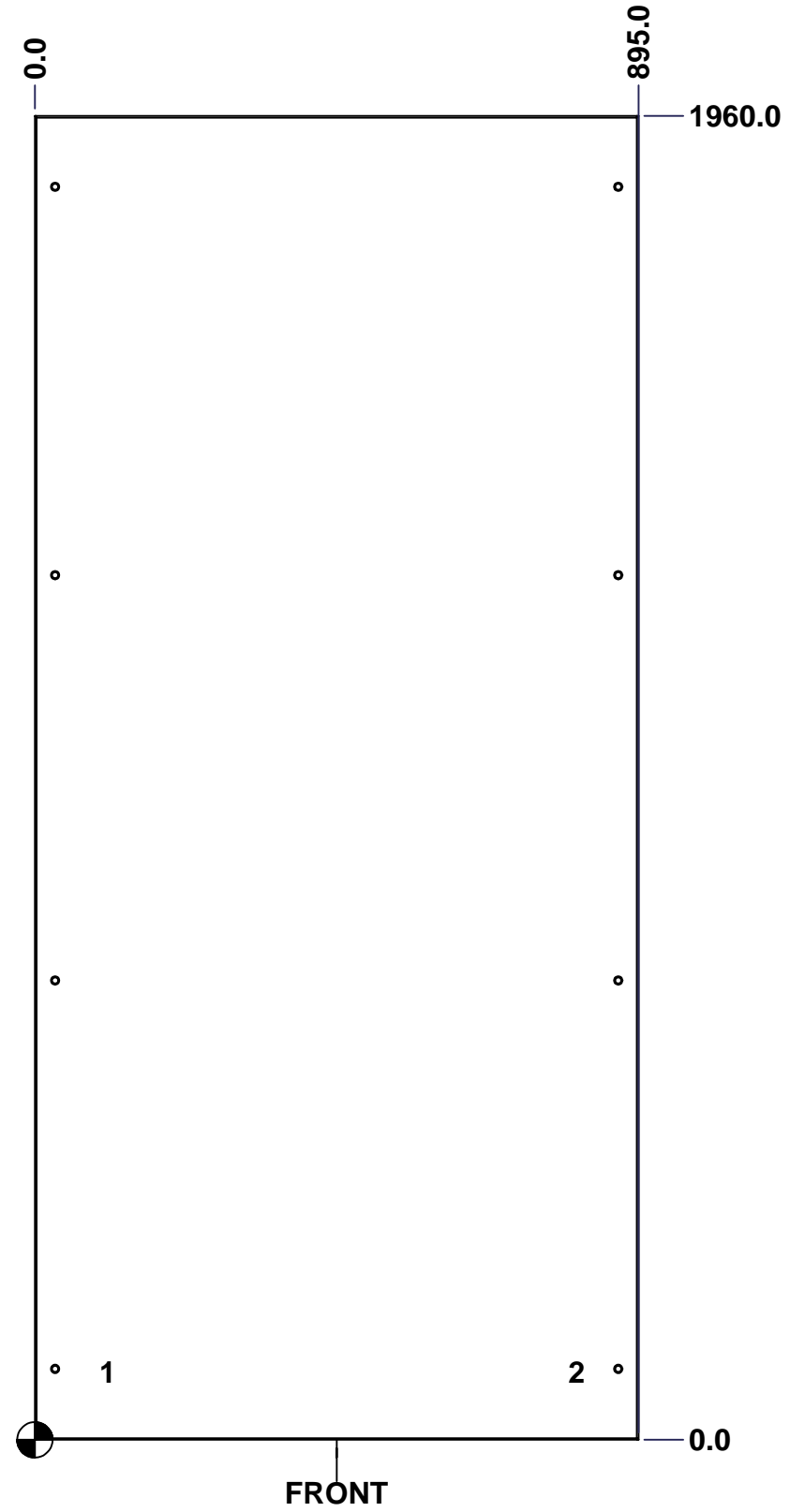
<p>Tél: (450) 979-4373 Fax: (450) 979-4626 <a href="http://www.exmweb.com">www.exmweb.com</a></p>		Flatness Aplatissement	
		Max 3.0mm	
Customer Client		Projection	
Date			
Drawn By Dessiné Par		Date	
BoxCad: Annie		08/08/2014	
Material Matière		14 Ga H.R.P. & O. (1.7mm)	
Color Couleur		Light Grey RAL7035	Finish Fini
Description		Rough Textured	
6500 MXR 2000mm x 900mm Back		Detail Rev.	
Part Number Numéro Pièce		Rev.	1
6500MXK200906B		0	3

SEE BILL OF MATERIAL ON LAST PAGE

This drawing is confidential and must not be reproduced or used without the consent of EXM

Ce dessin est confidentiel et ne doit pas être reproduit ou utilisé sans le consentement de EXM

STANDARD FEATURES ARE NOT LISTED IN THIS HOLE TABLE			
HOLE TABLE - FRONT VIEW (CUSTOM FEATURE ONLY)			
CUT-OUT	XDIM	YDIM	DESCRIPTION
1	100.0	100.0	GND STUD M6 x 16mm (Inside)
2	795.0	100.0	GND STUD M6 x 16mm (Inside)

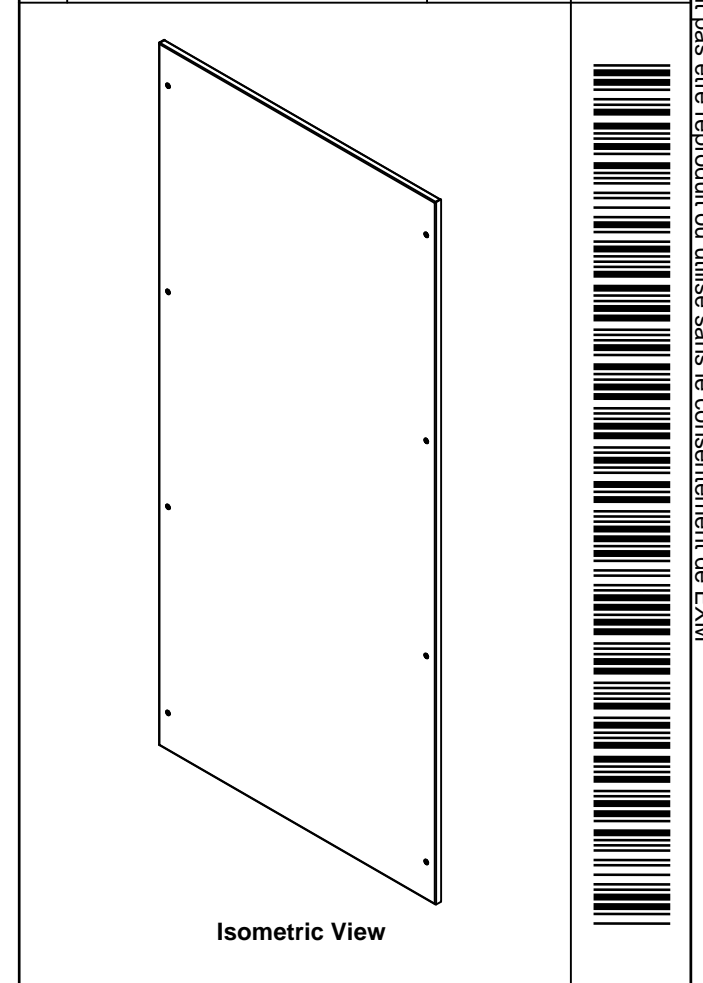


	Description 6500 MXR 2000mm x 900mm Back		Status (NULL)
	Part Number Numéro Pièce <b>6500MXK200906B</b>		Rev. 2 <b>0</b> / 3

This drawing is confidential and must not be reproduced or used without the consent of EXM

Ce dessin est confidentiel et ne doit pas être reproduit ou utilisé sans le consentement de EXM

No.	Revisions	Date	By/Par

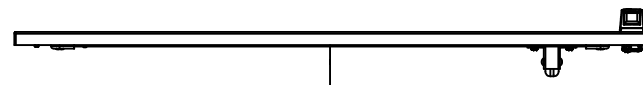


Tél: (450) 979-4373 Fax: (450) 979-4626 <a href="http://www.exmweb.com">www.exmweb.com</a>		Flatness Aplatissement Max 3.0mm Projection 
Customer Client	Date	
Drawn By Dessiné Par	BoxCad: Annie	Date 08/08/2014
Material Matière 14 Ga H.R.P. & O. (1.7mm)		
Color Couleur	Light Grey RAL7035	Finish Fini Rough Textured
Description 6500 MXR 2000mm x 900mm Back		Detail Rev.
Part Number Numéro Pièce <b>6500MXK200906B</b>		Rev. 3 <b>0</b>

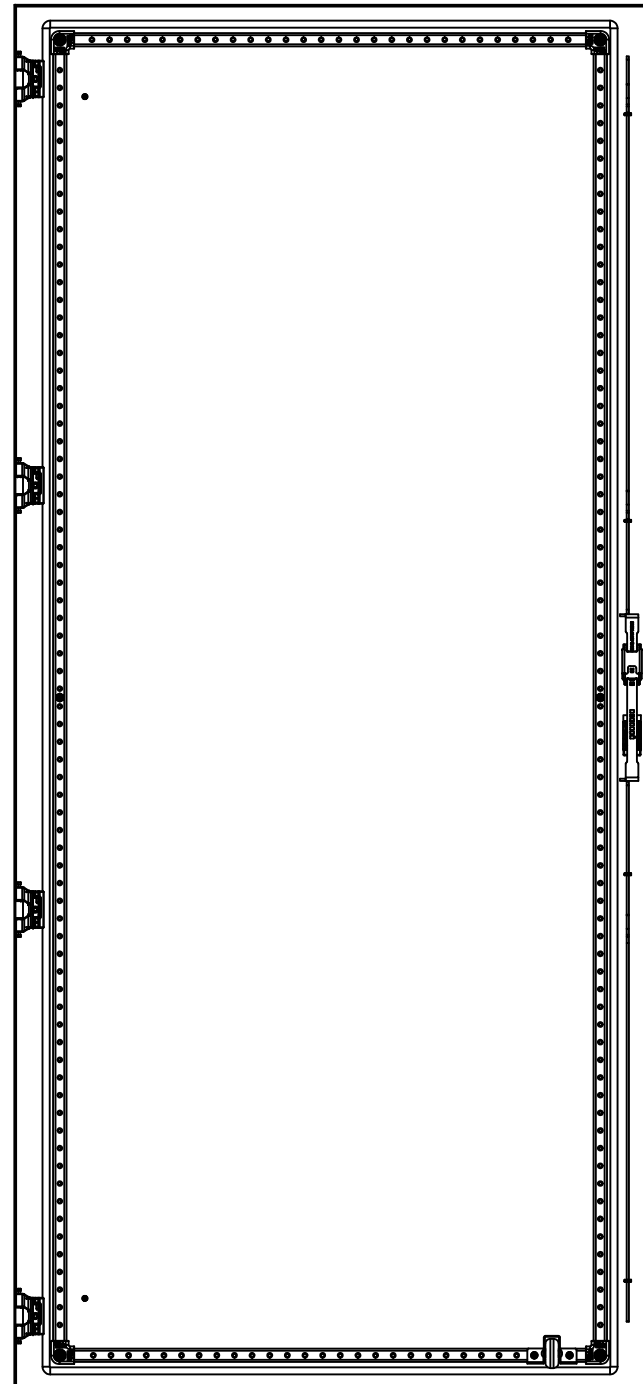
Qty	Part Number	Rev	Description
1	STK-P-03820R	0	Powder Paint (Light Grey / Rough Textured)
8	STK-Q-03072	2	M6 x 17mm Phillips Flat Head Screw
2	STK-Q-16080	0.1.1	M6 x 16mm Ground Stud
1	6500MXK200906BG	0	6500 MXR 2000mm x 900mm Back Gasket
1	6500MXK200906B-P	0	6500 MXR 2000mm x 900mm Back Part
Parts List			

This drawing is confidential and must not be reproduced or used without the consent of EXM

Ce dessin est confidentiel et ne doit pas être reproduit ou utilisé sans le consentement de EXM



TOP

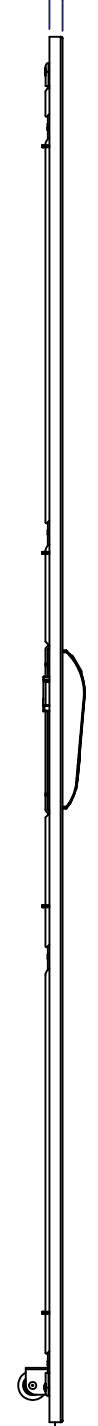


BACK



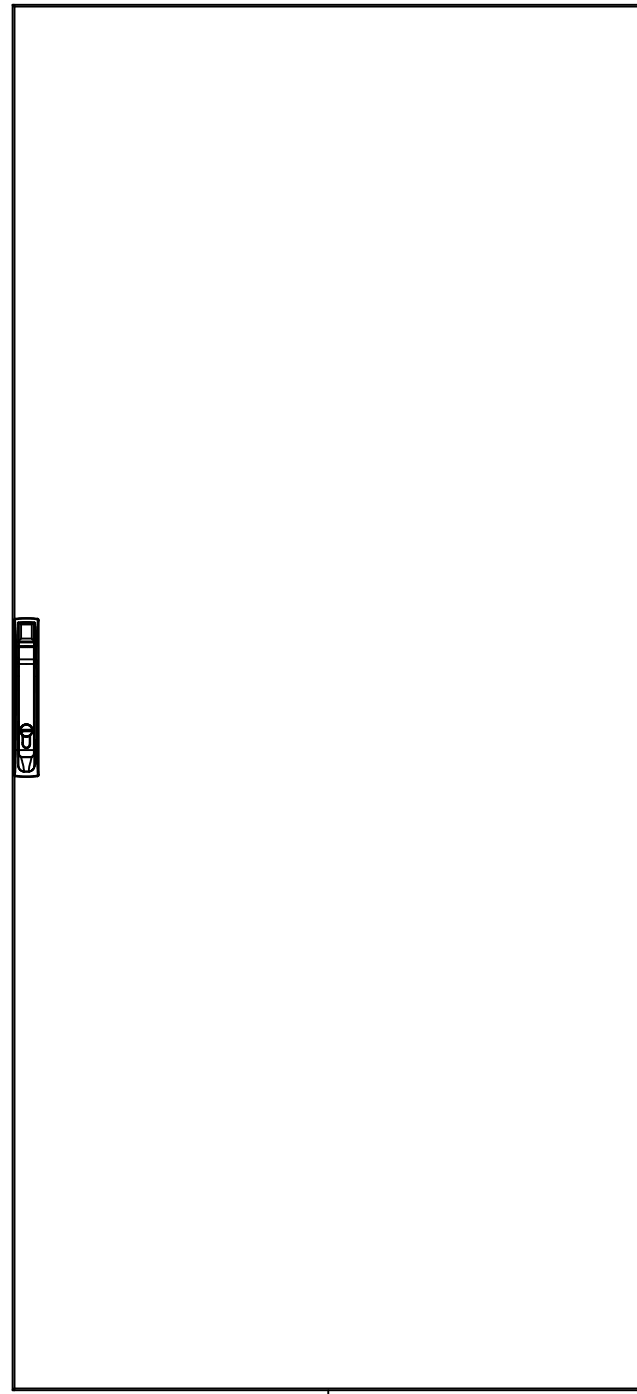
BOTTOM

0.0  
18.5



LEFT

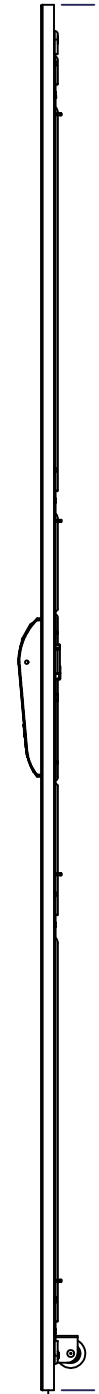
895.0



FRONT

0.0

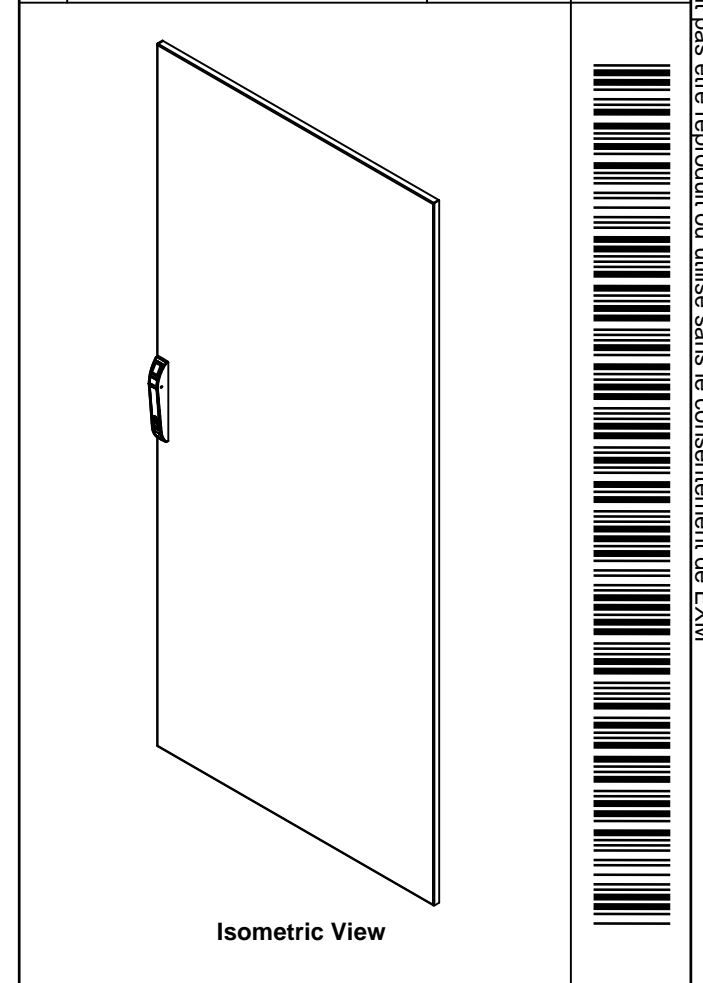
1960.0



RIGHT

0.0

No.	Revisions	Date	By/Par



Tél: (450) 979-4373  
Fax: (450) 979-4626  
[www.exmweb.com](http://www.exmweb.com)

Flatness  
Aplatissement  
Max 3.0mm  
Projection

Customer Client	Date
Drawn By Dessiné Par BoxCad: Annie	Date 08/08/2014
Material Matière 14 Ga H.R.P. & O. (1.7mm)	

Color Couleur Light Grey RAL7035	Finish Fini Rough Textured
-------------------------------------	-------------------------------

Description 6500 MXD 2000mm x 900mm Front	Detail Rev.
--	-------------

Part Number Numéro Pièce <b>6500MXK200906F</b>	Rev. <b>0</b>	1 3
---	---------------	--------

SEE BILL OF MATERIAL ON LAST PAGE

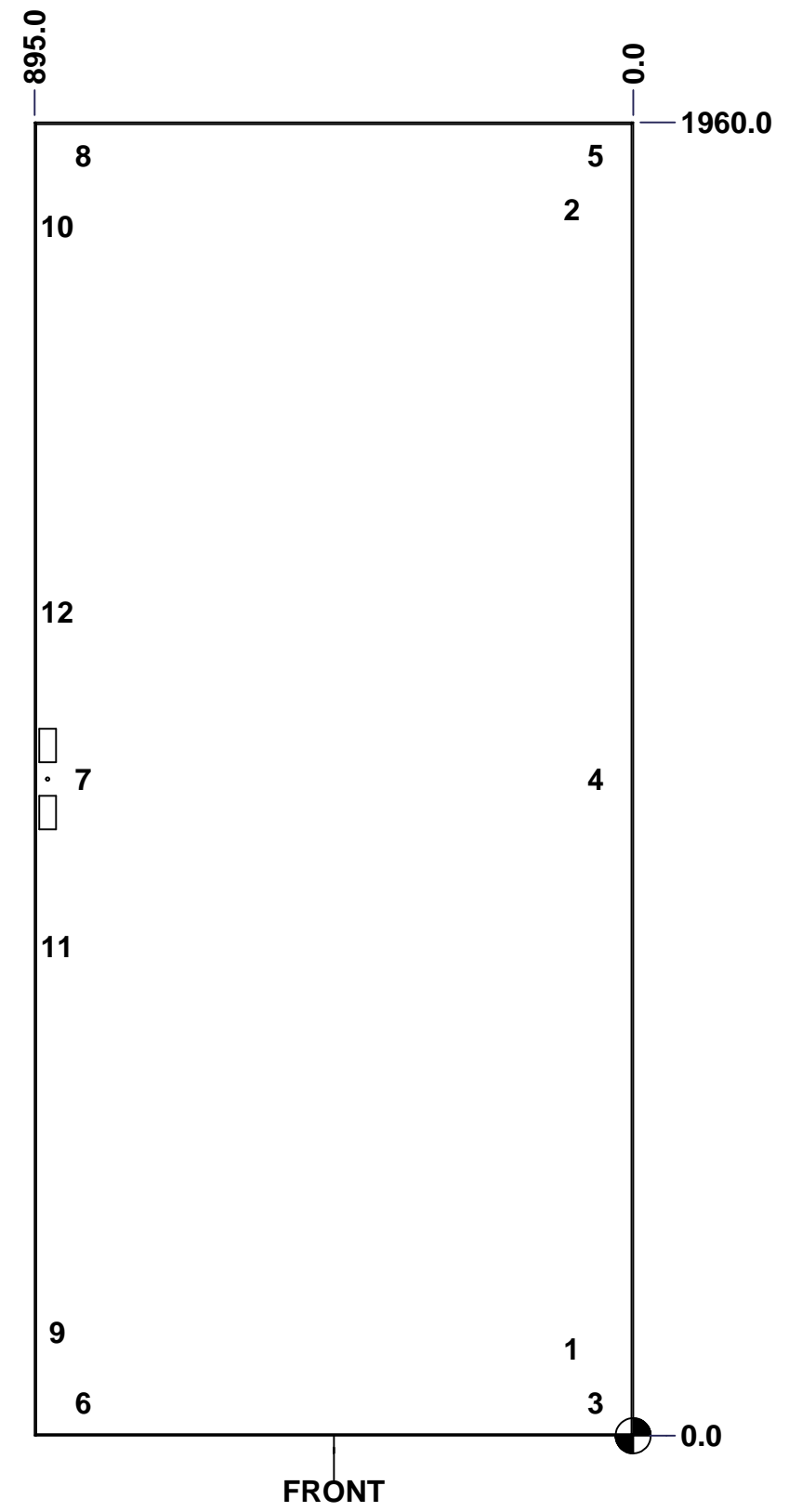
This drawing is confidential and must not be reproduced or used without the consent of EXM

Ce dessin est confidentiel et ne doit pas être reproduit ou utilisé sans le consentement de EXM

**STANDARD FEATURES ARE NOT LISTED IN THIS HOLE TABLE**

**HOLE TABLE - FRONT VIEW (CUSTOM FEATURE ONLY)**

CUT-OUT	XDIM	YDIM	DESCRIPTION
1	100.0	130.0	GND STUD M6 x 16mm (Inside)
2	100.0	1830.0	GND STUD M6 x 16mm (Inside)
3	64.5	49.5	STIFF. STUD M6 x 18mm (Inside)
4	64.5	980.0	STIFF. STUD M6 x 18mm (Inside)
5	64.5	1910.5	STIFF. STUD M6 x 18mm (Inside)
6	830.5	49.5	STIFF. STUD M6 x 18mm (Inside)
7	830.5	980.0	STIFF. STUD M6 x 18mm (Inside)
8	830.5	1910.5	STIFF. STUD M6 x 18mm (Inside)
9	869.5	155.0	CLOSING BAR GUIDE (Inside)
10	869.5	1805.0	CLOSING BAR GUIDE (Inside)
11	869.5	730.0	CLOSING BAR GUIDE (Inside)
12	869.5	1230.0	CLOSING BAR GUIDE (Inside)



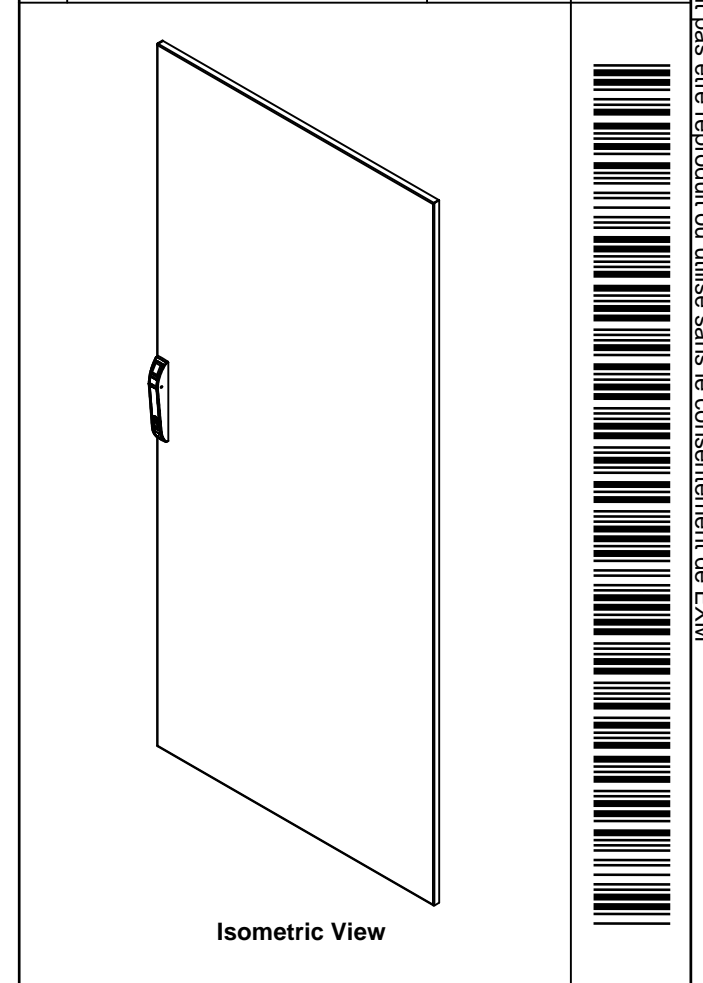
	Description 6500 MXD 2000mm x 900mm Front	Status (NULL)
	Part Number Numéro Pièce <b>6500MXK200906F</b>	Rev. 2 <b>0</b>

3


This drawing is confidential and must not be reproduced or used without the consent of EXM

Ce dessin est confidentiel et ne doit pas être reproduit ou utilisé sans le consentement de EXM

No.	Revisions	Date	By/Par



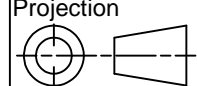
1	STK-P-03820R	0	Powder Paint (Light Grey / Rough Textured)
1	6500MXSRK	1	6500 MXRSK Door Support Roller
4	STK-Q-78022	0	Mtrx Closing Bar Slider
1	STK-Q-45746-20	1	6500 MXD - Lock Door Closing Bar
4	STK-Q-33105	4	5412 ESBU Buttable Hinge (Cover Part)
1	STK-Q-45729-20	2	6500 MXD - Lock Door Top Closing Bar
1	886PHD-S	4	Euroform Pull Handle Kit
8	STK-Q-16055	1	M6 x 18mm Stud (No Paint Cap Required)
1	6500MXK200906DS1	5	6500 MX 2000mm x 900mm Door Stiffener
1	6500MXK200906FG	0	6500 MXD 2000mm x 900mm Front Gasket
1	6500MXK200906F-P	0	6500 MXD 2000mm x 900mm Front Part
4	STK-K-06811	1	6500 MX - Hinge Assy
Qty	Part Number	Rev	Description
Parts List			



Tél: (450) 979-4373  
Fax: (450) 979-4626  
[www.exmweb.com](http://www.exmweb.com)

Flatness  
Aplatissement  
Max 3.0mm

Projection

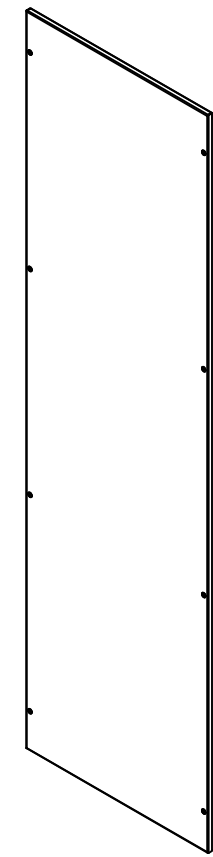
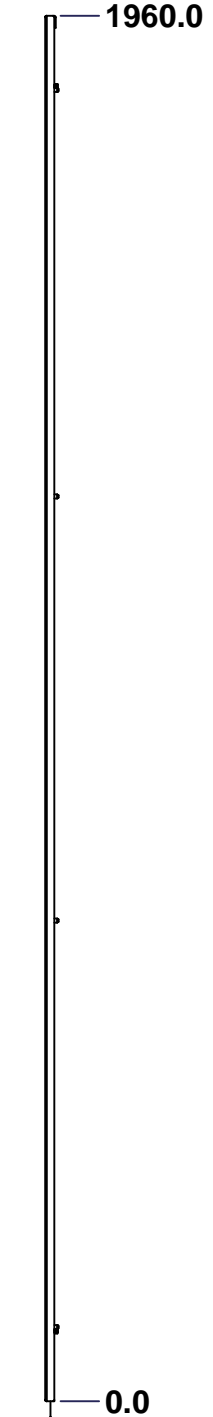
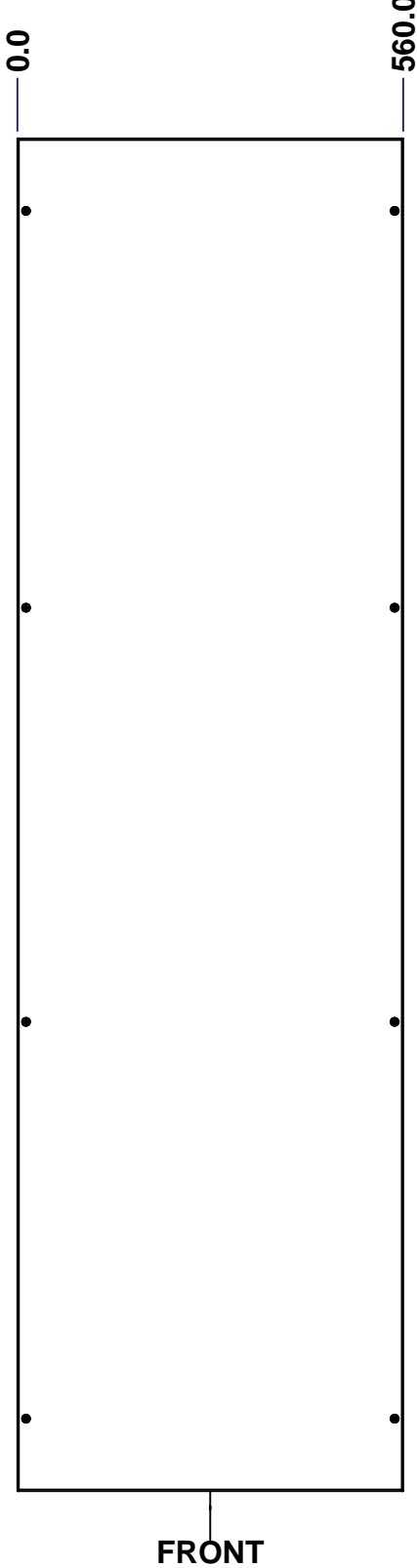
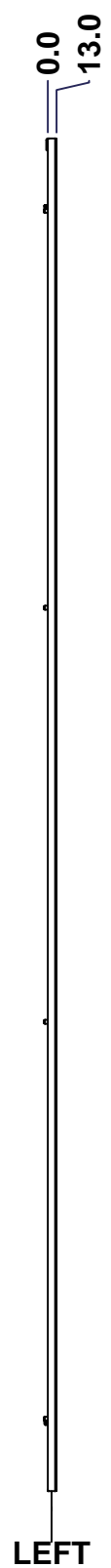
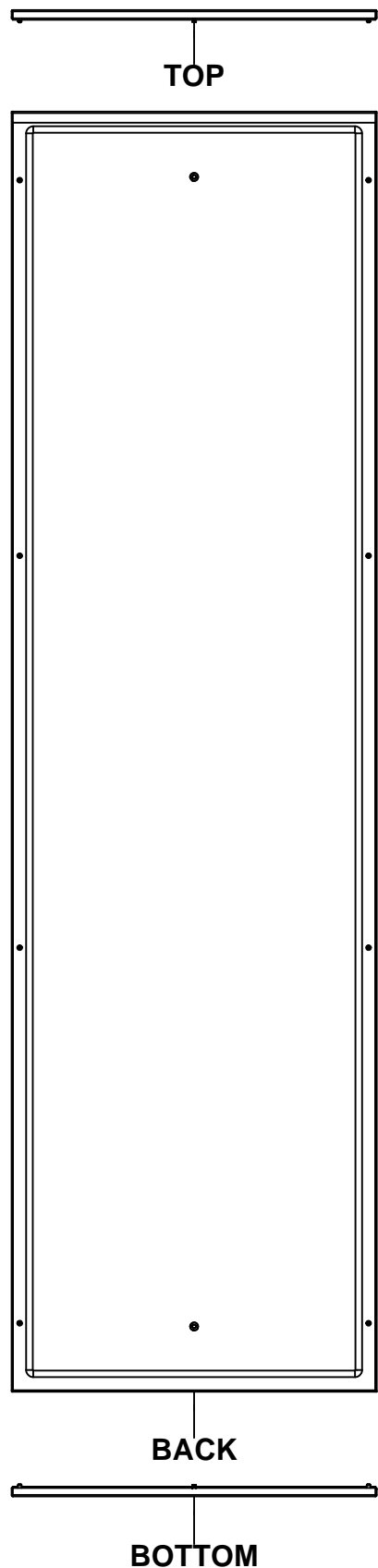


Customer Client		Date
Drawn By / Dessiné Par: BoxCad: Annie		Date: 08/08/2014
Material / Matière: 14 Ga H.R.P. & O. (1.7mm)		
Color / Couleur: Light Grey RAL7035	Finish / Fini: Rough Textured	
Description: 6500 MXD 2000mm x 900mm Front		Detail Rev.
Part Number / Numéro Pièce: <b>6500MXK200906F</b>		Rev. 3
		<b>0</b>
		3



This drawing is confidential and must not be reproduced or used without the consent of EXM


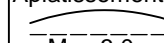
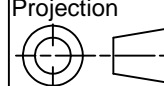
Ce dessin est confidentiel et ne doit pas être reproduit ou utilisé sans le consentement de EXM



Isometric View



No.	Revisions	Date	By/Par

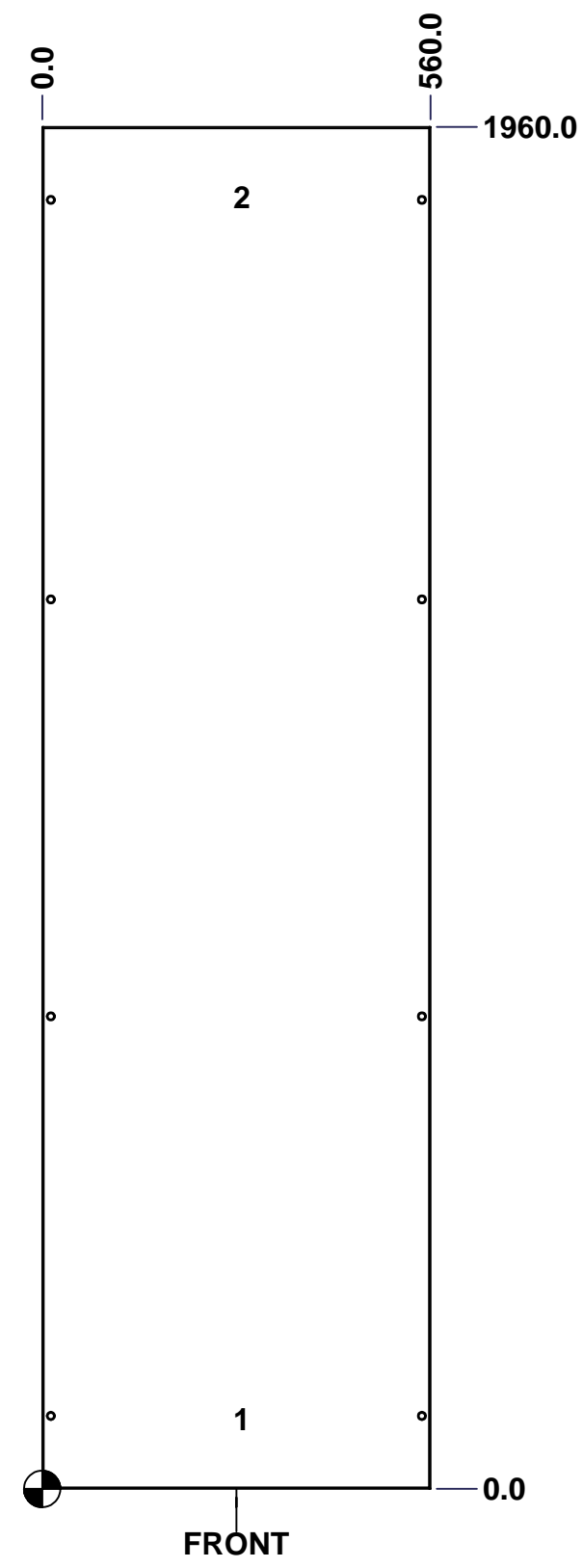
 Tél: (450) 979-4373 Fax: (450) 979-4626 <a href="http://www.exmweb.com">www.exmweb.com</a>		Flatness Aplatissement  Max 3.0mm
Customer Client	Date	Projection 
Drawn By Dessiné Par	BoxCad: Annie	Date 08/08/2014
Material Matière	16 Ga H.R.P. & O. (1.4mm)	
Color Couleur	Light Grey RAL7035	Finish Fini
Description		Detail Rev.
6500 MXC 2000mm x 600mm Left		
Part Number Numéro Pièce	Rev.	
<b>6500MXK200906L</b>	<b>0</b>	1 / 3

SEE BILL OF MATERIAL ON LAST PAGE

This drawing is confidential and must not be reproduced or used without the consent of EXM

Ce dessin est confidentiel et ne doit pas être reproduit ou utilisé sans le consentement de EXM

STANDARD FEATURES ARE NOT LISTED IN THIS HOLE TABLE			
HOLE TABLE - FRONT VIEW (CUSTOM FEATURE ONLY)			
CUT-OUT	XDIM	YDIM	DESCRIPTION
1	280.0	100.0	GND STUD M6 x 16mm (Inside)
2	280.0	1860.0	GND STUD M6 x 16mm (Inside)

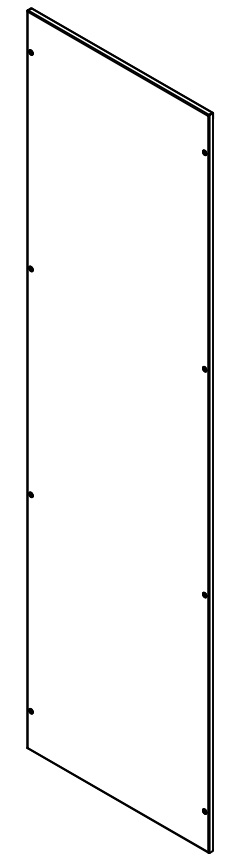


	Description	Status
	6500 MXC 2000mm x 600mm Left	(NULL)
	Part Number Numéro Pièce	Rev.
	<b>6500MXK200906L</b>	<b>0</b>
		2
		3


This drawing is confidential and must not be reproduced or used without the consent of EXM


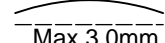
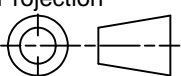
Ce dessin est confidentiel et ne doit pas être reproduit ou utilisé sans le consentement de EXM

No.	Revisions	Date	By/Par



**Isometric View**

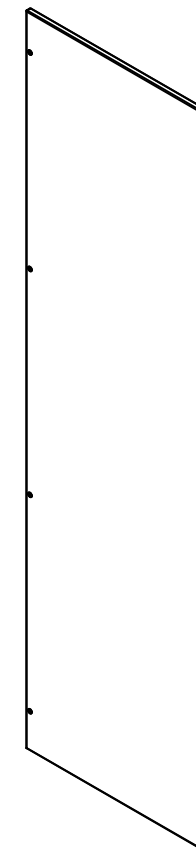
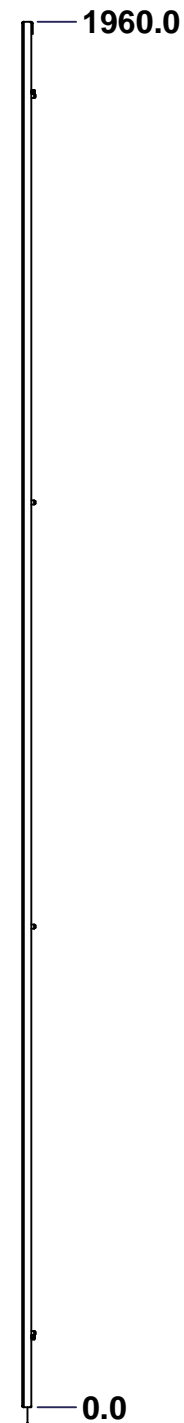
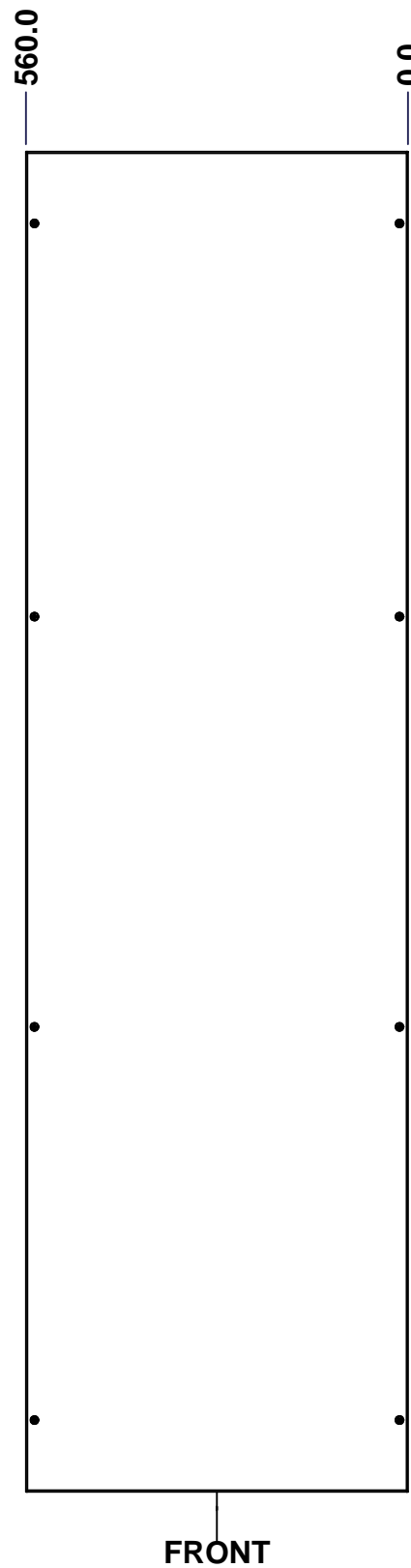
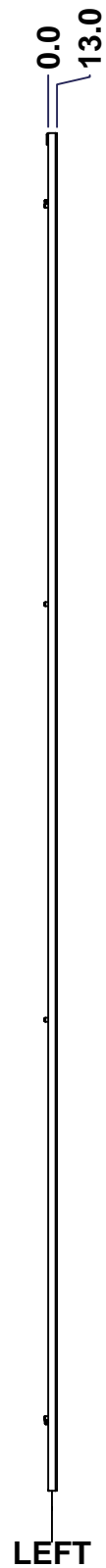
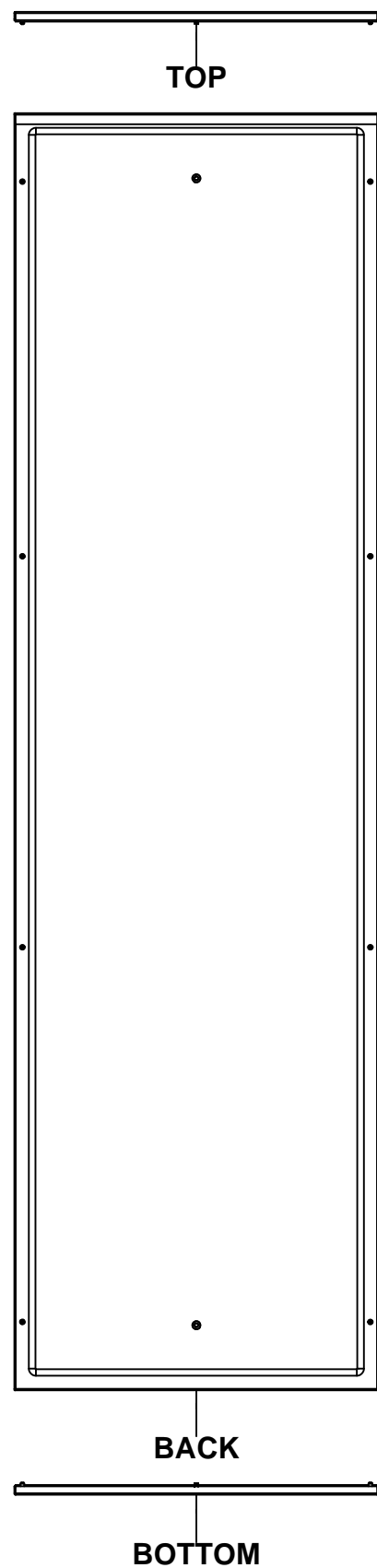


		Tél: (450) 979-4373 Fax: (450) 979-4626 <a href="http://www.exmweb.com">www.exmweb.com</a>		Flatness Aplatissement  Max 3.0mm	
Projection 		Customer Client		Date	
Drawn By / Dessiné Par		BoxCad: Annie		Date 08/08/2014	
Material / Matière		16 Ga H.R.P. & O. (1.4mm)			
Color / Couleur		Light Grey RAL7035		Finish / Fini Rough Textured	
Description				Detail Rev.	
6500 MXC 2000mm x 600mm Left					
Part Number / Numéro Pièce		<b>6500MXK200906L</b>		Rev.	3
				<b>0</b>	3

Qty	Part Number	Rev	Description
1	STK-P-03820R	0	Powder Paint (Light Grey / Rough Textured)
8	STK-Q-03072	2	M6 x 17mm Phillips Flat Head Screw
2	STK-Q-16080	0.1.1	M6 x 16mm Ground Stud
1	6500MXK200906LG	0	6500 MXC 2000mm x 600mm Left Gasket
1	6500MXK200906L-P	0	6500 MXC 2000mm x 600mm Left Part
Parts List			

This drawing is confidential and must not be reproduced or used without the consent of EXM


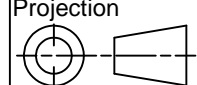
Ce dessin est confidentiel et ne doit pas être reproduit ou utilisé sans le consentement de EXM



Isometric View



No.	Revisions	Date	By/Par

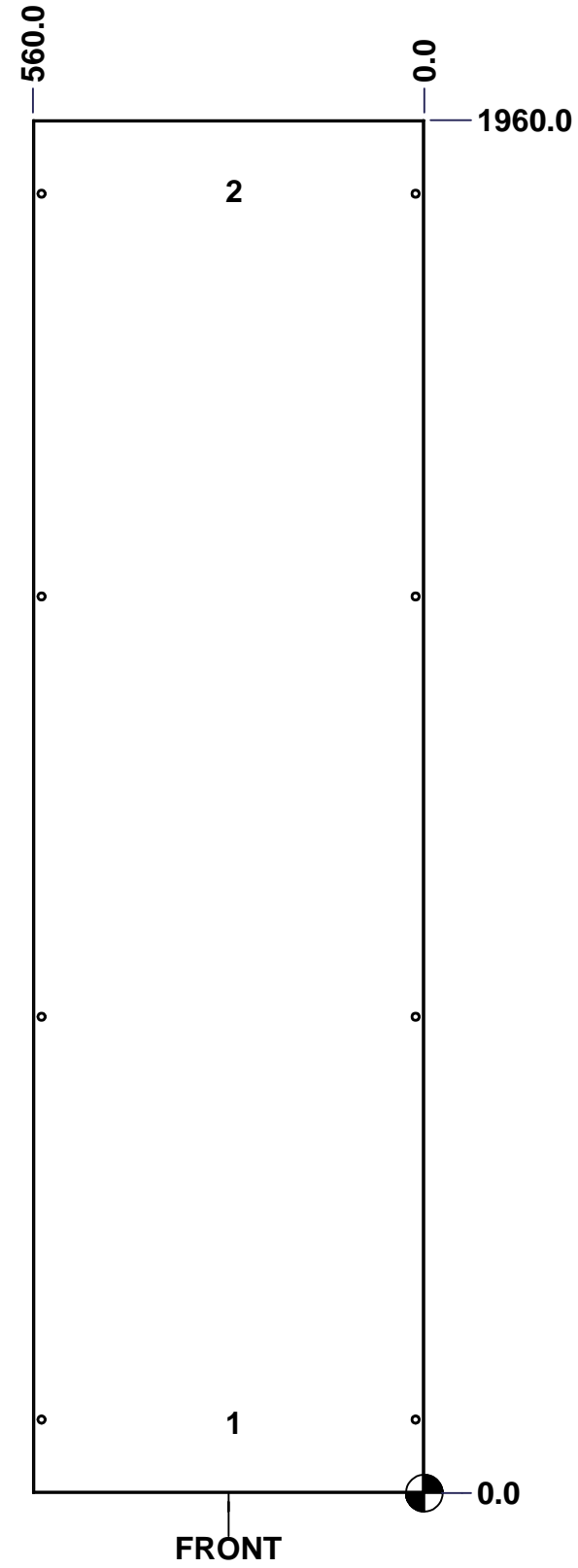
 Tél: (450) 979-4373 Fax: (450) 979-4626 <a href="http://www.exmweb.com">www.exmweb.com</a>		Flatness Aplatissement Max 3.0mm Projection 
Customer Client	Date	
Drawn By / Dessiné Par: BoxCad: Annie	Date: 08/08/2014	
Material / Matière: 16 Ga H.R.P. & O. (1.4mm)		
Color / Couleur: Light Grey RAL7035	Finish / Fini: Rough Textured	
Description: 6500 MXC 2000mm x 600mm Right		Detail Rev.
Part Number / Numéro Pièce: 6500MXK200906R		Rev. 1/3

SEE BILL OF MATERIAL ON LAST PAGE

This drawing is confidential and must not be reproduced or used without the consent of EXM

Ce dessin est confidentiel et ne doit pas être reproduit ou utilisé sans le consentement de EXM

STANDARD FEATURES ARE NOT LISTED IN THIS HOLE TABLE			
HOLE TABLE - FRONT VIEW (CUSTOM FEATURE ONLY)			
CUT-OUT	XDIM	YDIM	DESCRIPTION
1	280.0	100.0	GND STUD M6 x 16mm (Inside)
2	280.0	1860.0	GND STUD M6 x 16mm (Inside)

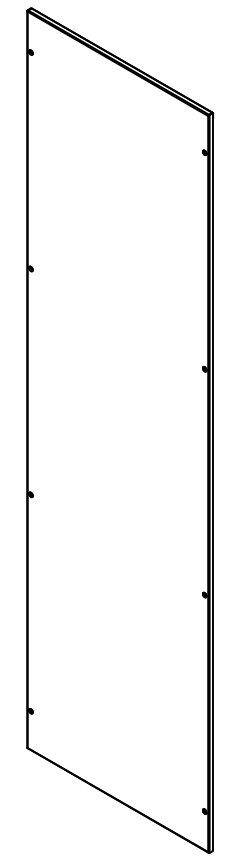


	Description	Status	
	6500 MXC 2000mm x 600mm Right	(NULL)	
	Part Number Numéro Pièce	Rev.	
	<b>6500MXK200906R</b>	<b>0</b>	2 3


This drawing is confidential and must not be reproduced or used without the consent of EXM


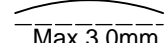
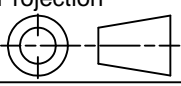
Ce dessin est confidentiel et ne doit pas être reproduit ou utilisé sans le consentement de EXM

No.	Revisions	Date	By/Par



**Isometric View**

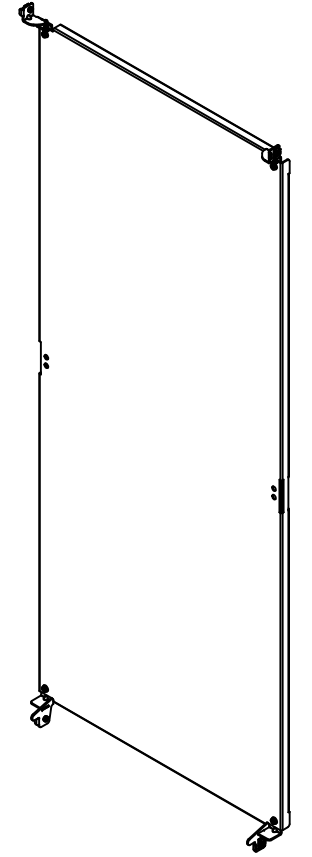
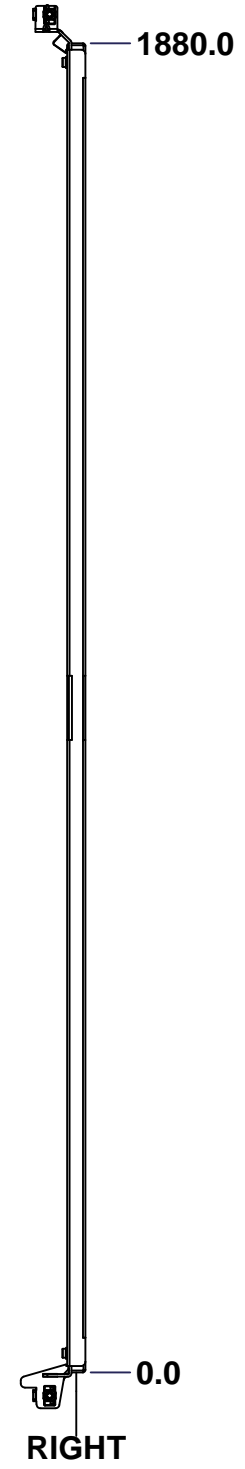
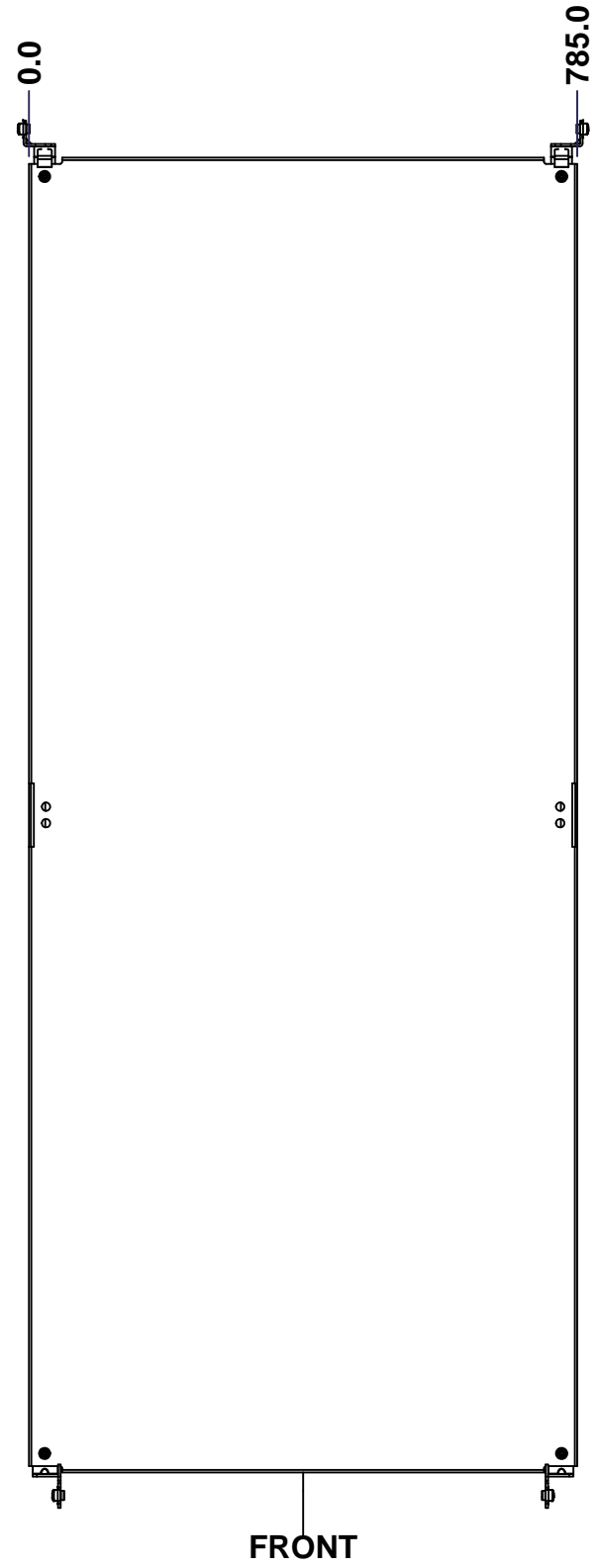
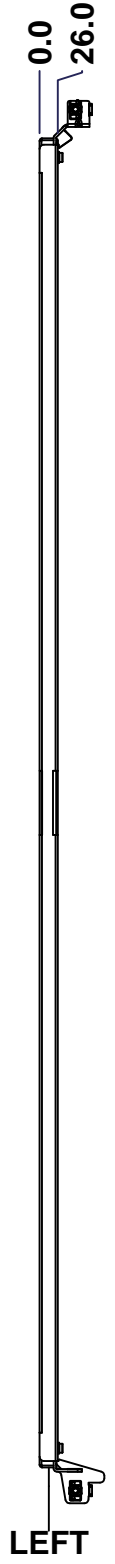
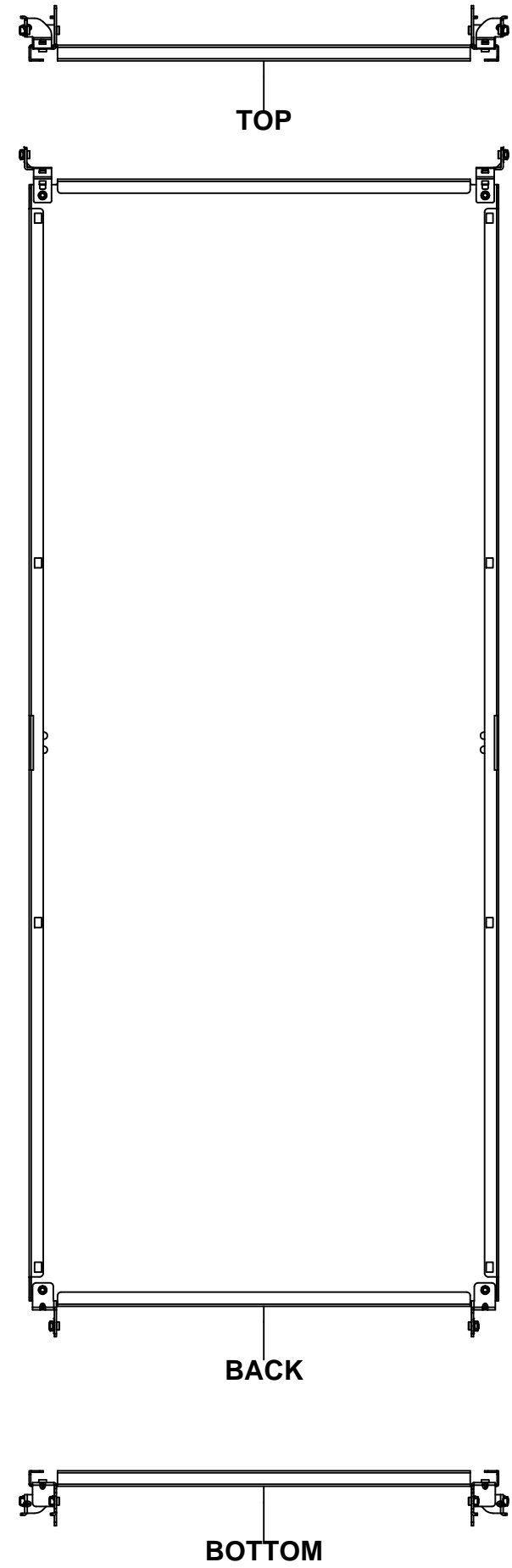


		Tél: (450) 979-4373 Fax: (450) 979-4626 <a href="http://www.exmweb.com">www.exmweb.com</a>		Flatness Aplatissement  Max 3.0mm					
Customer Client		Date		Projection 					
Drawn By Dessiné Par: BoxCad: Annie		Date: 08/08/2014							
Material Matière: 16 Ga H.R.P. & O. (1.4mm)									
Color Couleur: Light Grey RAL7035		Finish Fini: Rough Textured							
Description: 6500 MXC 2000mm x 600mm Right				Detail Rev.					
Part Number Numéro Pièce: <b>6500MXK200906R</b>				Rev. 3					
				<table border="1" style="width: 100%;"> <tr> <td style="width: 50px;">Rev.</td> <td style="width: 50px;">3</td> </tr> <tr> <td> </td> <td> </td> </tr> </table>		Rev.	3		
Rev.	3								

Qty	Part Number	Rev	Description
1	STK-P-03820R	0	Powder Paint (Light Grey / Rough Textured)
8	STK-Q-03072	2	M6 x 17mm Phillips Flat Head Screw
2	STK-Q-16080	0.1.1	M6 x 16mm Ground Stud
1	6500MXK200906RG	0	6500 MXC 2000mm x 600mm Right Gasket
1	6500MXK200906R-P	0	6500 MXC 2000mm x 600mm Right Part
Parts List			

This drawing is confidential and must not be reproduced or used without the consent of EXM


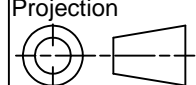
Ce dessin est confidentiel et ne doit pas être reproduit ou utilisé sans le consentement de EXM



Isometric View



No.	Revisions	Date	By/Par

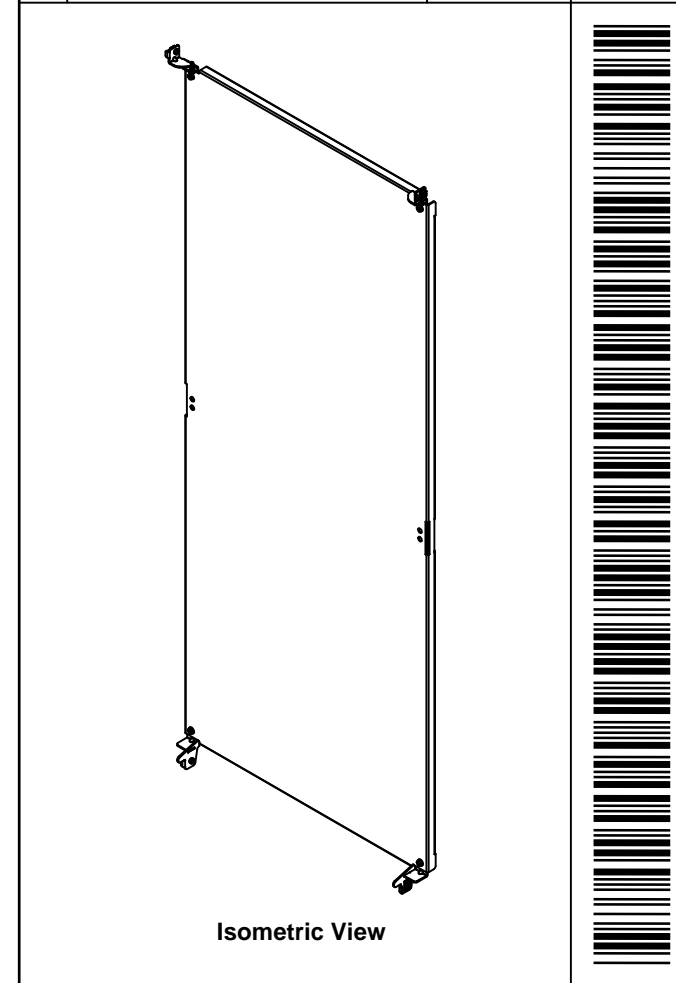
 Tél: (450) 979-4373 Fax: (450) 979-4626 <a href="http://www.exmweb.com">www.exmweb.com</a>		Flatness Aplatissement Max 3.0mm Projection 
Customer Client	Date	
Drawn By Dessiné Par	BoxCad: Annie	Date 08/08/2014
Material Matière	12 Ga Galvanized (2.5mm)	
Color Couleur	Unpainted	Finish Fini Unpainted
Description	Detail Rev.	
6500 MXM 2000mm x 900mm Back Inner Panel		
Part Number Numéro Pièce	Rev.	
<b>6500MXK200906BIP</b>	<b>0</b>	1 / 3


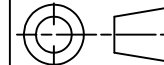
SEE BILL OF MATERIAL ON LAST PAGE

This drawing is confidential and must not be reproduced or used without the consent of EXM

Ce dessin est confidentiel et ne doit pas être reproduit ou utilisé sans le consentement de EXM

No.	Revisions	Date	By/Par



 Tél: (450) 979-4373 Fax: (450) 979-4626 <a href="http://www.exmweb.com">www.exmweb.com</a>		Flatness Aplatissement Max 3.0mm Projection 
Customer Client	Date	
Drawn By Dessiné Par	BoxCad: Annie	Date 08/08/2014
Material Matière	12 Ga Galvanized (2.5mm)	
Color Couleur	Unpainted	Finish Fini Unpainted
Description	Detail Rev.	
6500 MXM 2000mm x 900mm Back Inner Panel		
Part Number Numéro Pièce	Rev. 3	3
<b>6500MXK200906BIP</b>	<b>0</b>	<b>3</b>

Qty	Part Number	Rev	Description
1	STK-A-49005	0	6500MXM - Bottom Inner Panel Support Kit (Right)
1	STK-A-49000	0	6500MXM - Bottom Inner Panel Support Kit (Left)
1	STK-A-49015	0	6500MXM - Top Inner Panel Support Kit (Right)
1	STK-A-49010	0	6500MXM - Top Inner Panel Support Kit (Left)
1	6500MXK200906BIP-P	0	6500 MXM 2000mm x 900mm Back Inner Panel Part
Parts List			