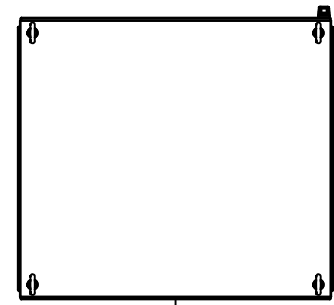
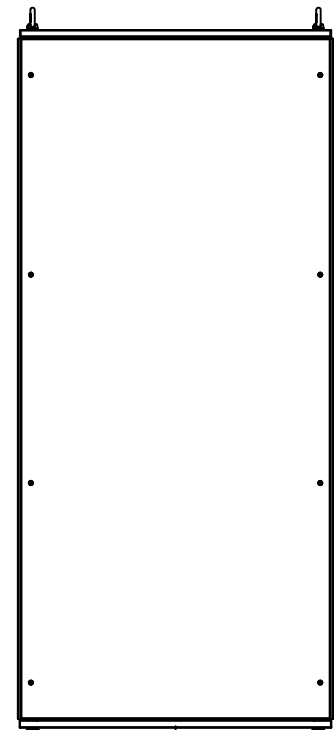


This drawing is confidential and must not be reproduced or used without the consent of EXM

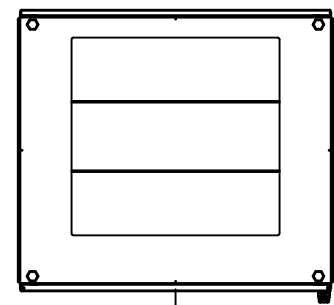
Ce dessin est confidentiel et ne doit pas être reproduit ou utilisé sans le consentement de EXM



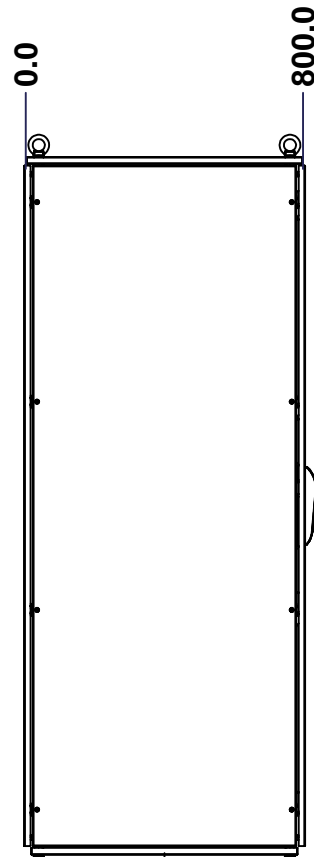
TOP



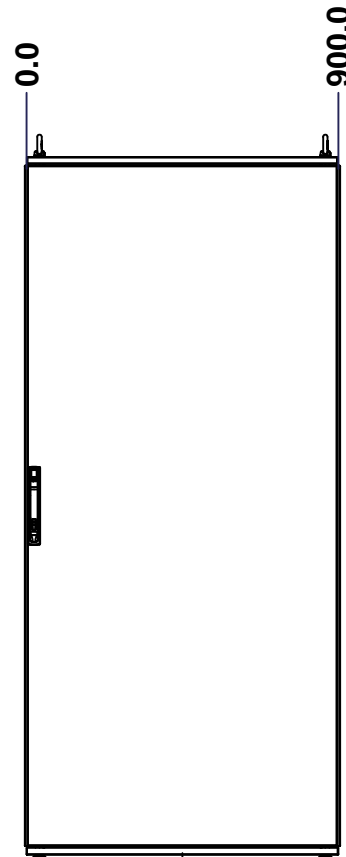
BACK



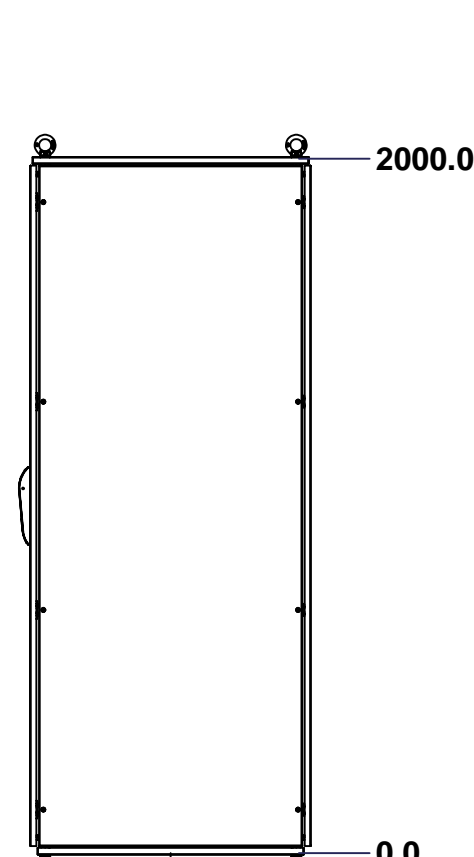
BOTTOM



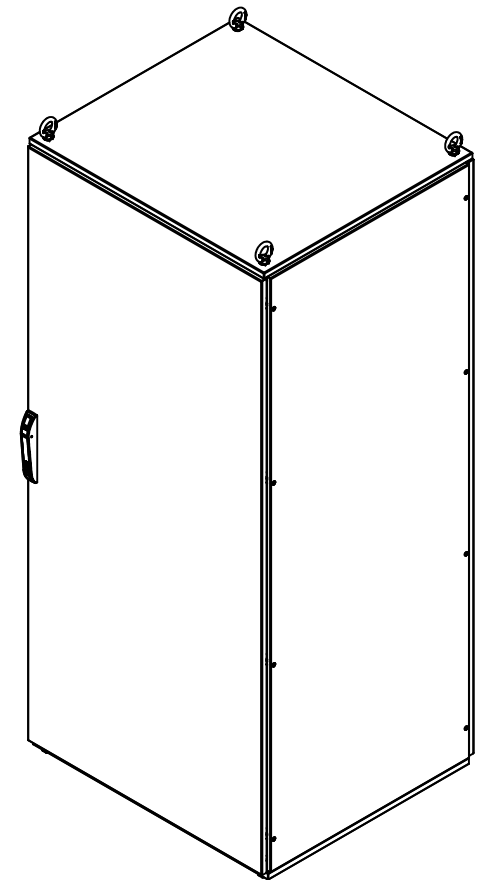
LEFT



FRONT



RIGHT



Isometric View



No.	Revisions	Date	By/Par

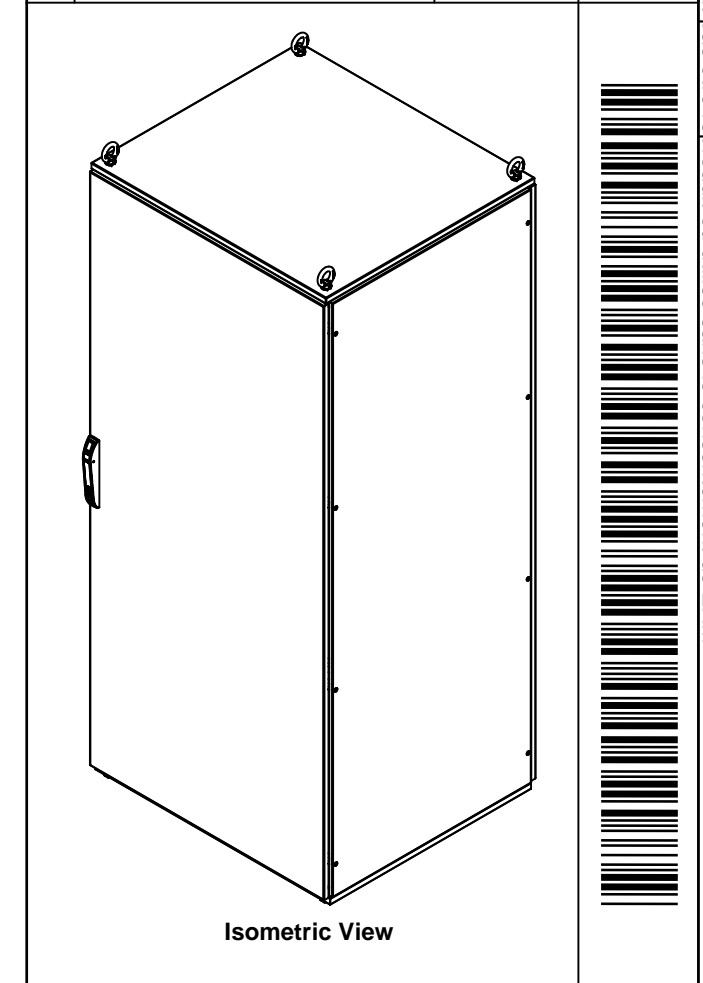
		Tél: (450) 979-4373 Fax: (450) 979-4626 www.exmweb.com		Flatness Aplatissement Max 3.0mm	
Customer Client		Date		Projection 	
Drawn By Dessiné Par		BoxCad: Annie		Date 08/08/2014	
Material Matière		See Part List			
Color Couleur		See Part List		Finish Fini See Part List	
Description 6500MX 2000mm x 900mm x 800mm Assembly				Detail Rev.	
Part Number Numéro Pièce				Rev.	
6500MXK200908				0 / 1 2	

SEE BILL OF MATERIAL ON LAST PAGE

This drawing is confidential and must not be reproduced or used without the consent of EXM

Ce dessin est confidentiel et ne doit pas être reproduit ou utilisé sans le consentement de EXM

No.	Revisions	Date	By/Par

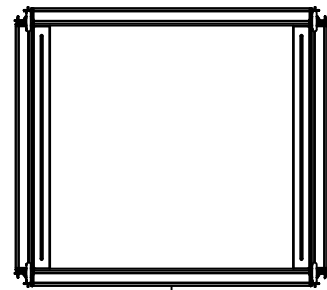


Tél: (450) 979-4373 Fax: (450) 979-4626 www.exmweb.com		Flatness Aplatissement
		Max 3.0mm
Projection		Date
Customer Client		Date 08/08/2014
Drawn By Dessiné Par BoxCad: Annie		Date
Material Matière		See Part List
Color Couleur	See Part List	Finish Finis See Part List
Description 6500MX 2000mm x 900mm x 800mm Assembly		Detail Rev.
Part Number Numéro Pièce		Rev. 2
6500MXK200908		0

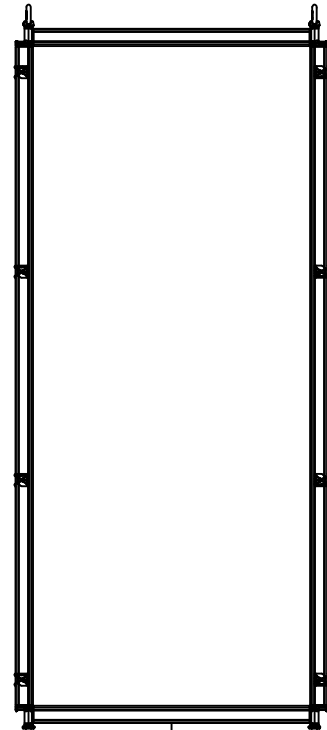
Qty	Part Number	Rev	Description
1	6500MXK200908BIP	0	6500 MXM 2000mm x 900mm Back Inner Panel
1	6500MXK200908R	0	6500 MXC 2000mm x 800mm Right
1	6500MXK200908L	0	6500 MXC 2000mm x 800mm Left
1	6500MXK200908F	0	6500 MXD 2000mm x 900mm Front
1	6500MXK200908B	0	6500 MXR 2000mm x 900mm Back
1	6500MXK200908BT	0	6500 MXB 900mm x 800mm Bottom
1	6500MXK200908T	0	6500 MXT 900mm x 800mm Top
1	6500MXK200908FR	0	6500 MX 2000mm x 900mm x 800mm Frame
Parts List			

This drawing is confidential and must not be reproduced or used without the consent of EXM

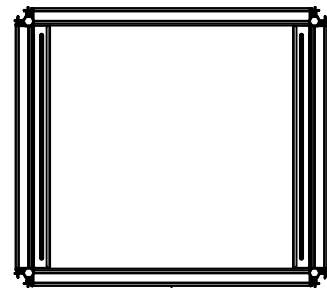
Ce dessin est confidentiel et ne doit pas être reproduit ou utilisé sans le consentement de EXM



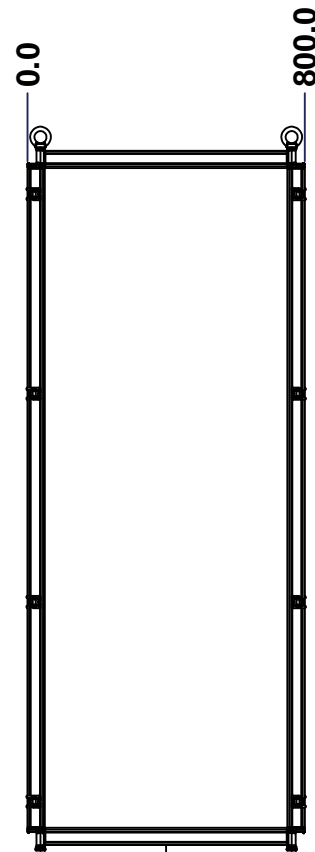
TOP



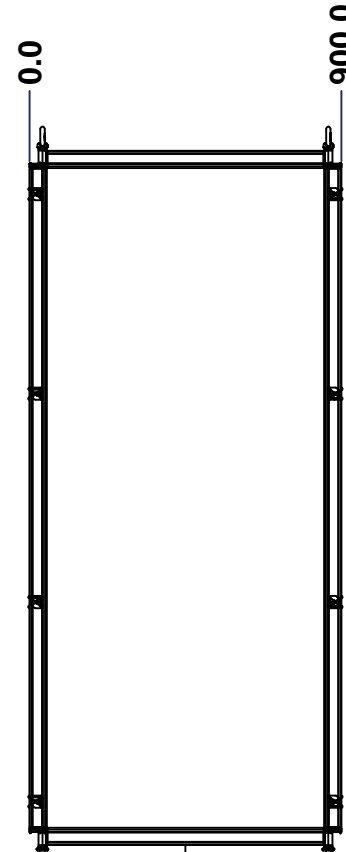
BACK



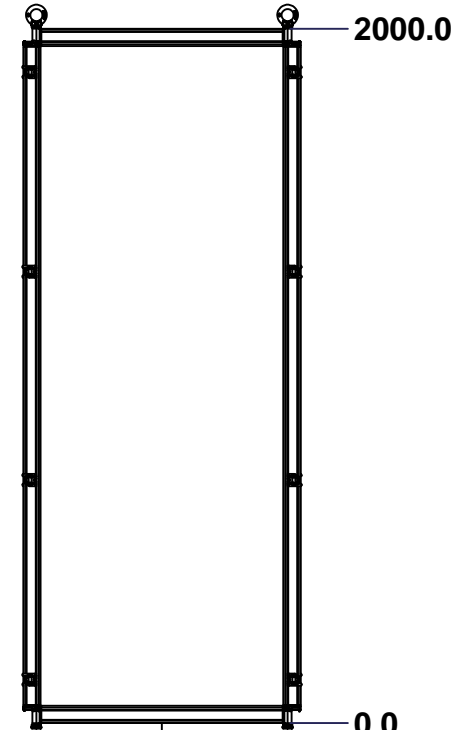
BOTTOM



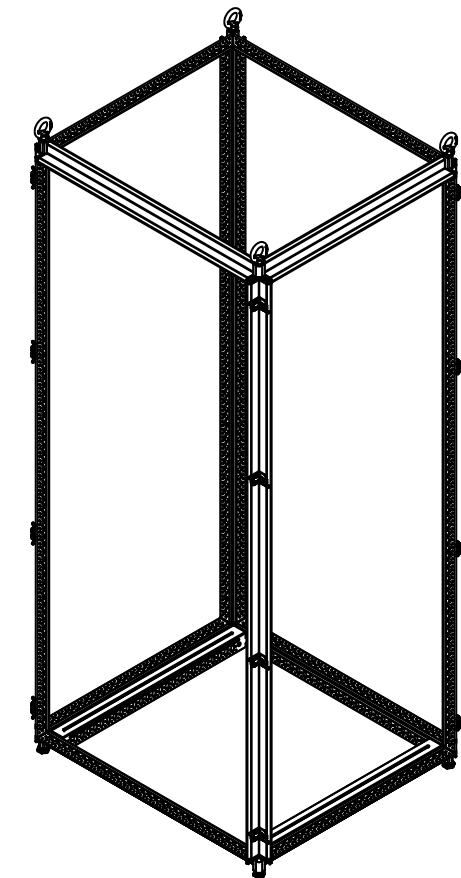
LEFT



FRONT



RIGHT



Isometric View

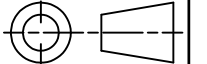


Tél: (450) 979-4373
 Fax: (450) 979-4626
www.exmweb.com

Flatness
Aplatissement

Max 3.0mm

Projection



Customer Client	Date
Drawn By / Dessiné Par: BoxCad: Annie	Date: 08/08/2014

Material / Matière: 16 Ga Electro-Galvanized (1.4mm)

Color / Couleur: Iron Grey RAL7011	Finish / Fini: Rough / Textured
------------------------------------	---------------------------------

Description: 6500 MX 2000mm x 900mm x 800mm Frame	Detail Rev.
---	-------------

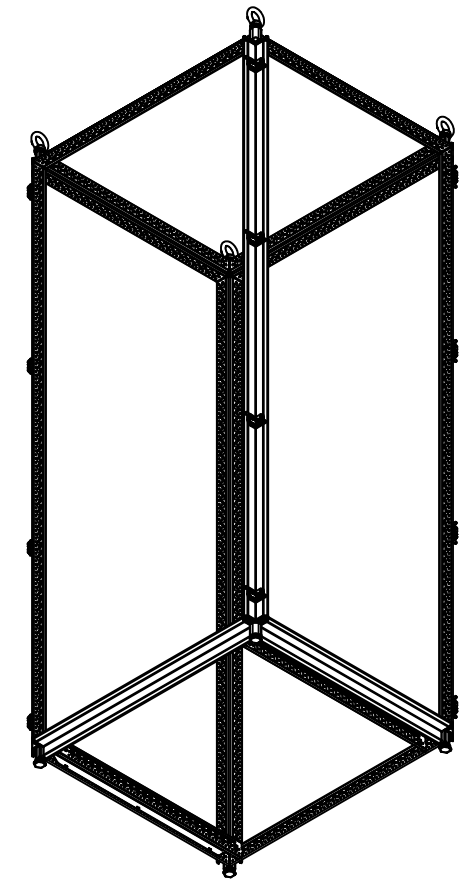
Part Number / Numéro Pièce: 6500MXK200908FR	Rev. 0	1 / 2
---	--------	-------

SEE BILL OF MATERIAL ON LAST PAGE

This drawing is confidential and must not be reproduced or used without the consent of EXM

Ce dessin est confidentiel et ne doit pas être reproduit ou utilisé sans le consentement de EXM


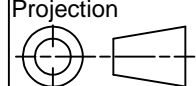
No.	Revisions	Date	By/Par



Isometric View

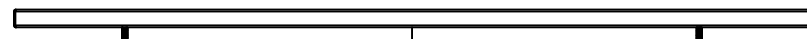


1	STK-P-03810R	0	Powder Paint (Iron Grey / Rough Textured)
1	STK-Q-49065	3	6500 MXM Inner Panel Slider 800mm
1	STK-Q-49065-L	3	6500 MXM Inner Panel Slider 800mm
4	STK-Q-49500	3	M12 Eye Bolt (0.34T)
4	STK-Q-61110	0	M12 Feet Leveler
8	STK-Q-00610	1	M18 x 30.5mm Bolt - Cover
4	STK-Q-47251-20	3	6500 MX 2000mm Vertical Frame Post Part
4	STK-Q-47250-09	3	6500 MX 900mm Horizontal Frame Post Part
4	STK-Q-47250-08	3	6500 MX 800mm Horizontal Frame Post Part
8	STK-Q-49445	2	6500 MX - Frame Corner Bracket Casting
16	STK-K-11001	2	3 Way Fixed Bracket Kit
Qty	Part Number	Rev	Description
Parts List			

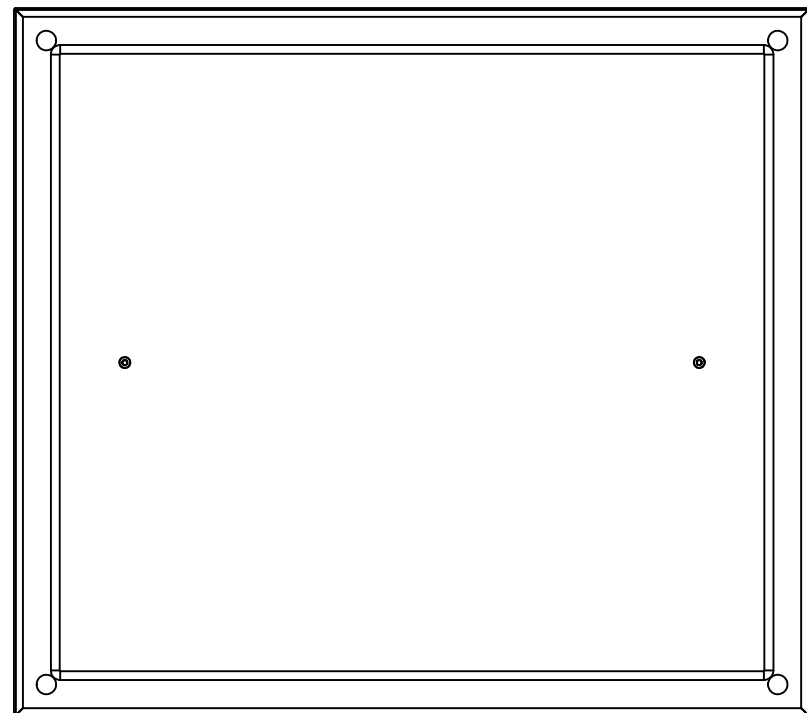
 Tél: (450) 979-4373 Fax: (450) 979-4626 www.exmweb.com		Flatness Aplatissement Max 3.0mm Projection 
Customer Client	Date	Date 08/08/2014
Drawn By Dessiné Par	BoxCad: Annie	
Material Matière	16 Ga Electro-Galvanized (1.4mm)	
Color Couleur	Iron Grey RAL7011	Finish Fini Rough Textured
Description	Detail Rev.	
6500 MX 2000mm x 900mm x 800mm Frame		
Part Number Numéro Pièce	Rev.	2
6500MXK200908FR	0	2

This drawing is confidential and must not be reproduced or used without the consent of EXM

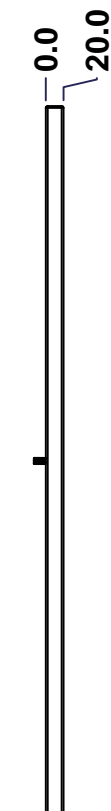
Ce dessin est confidentiel et ne doit pas être reproduit ou utilisé sans le consentement de EXM



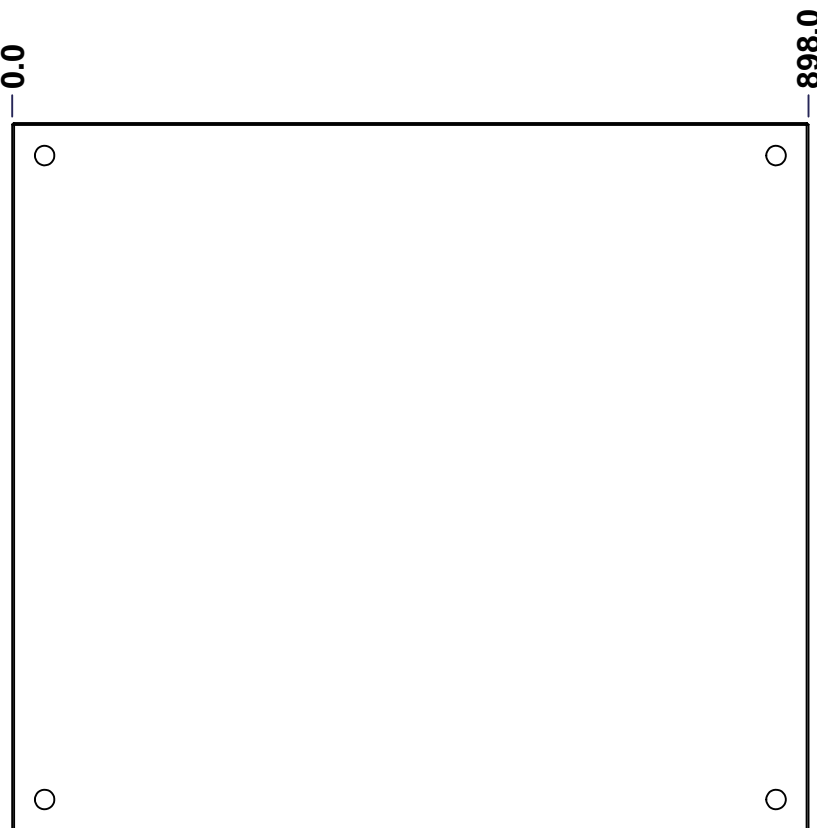
TOP



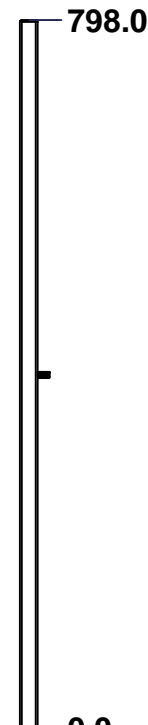
BACK



LEFT



FRONT

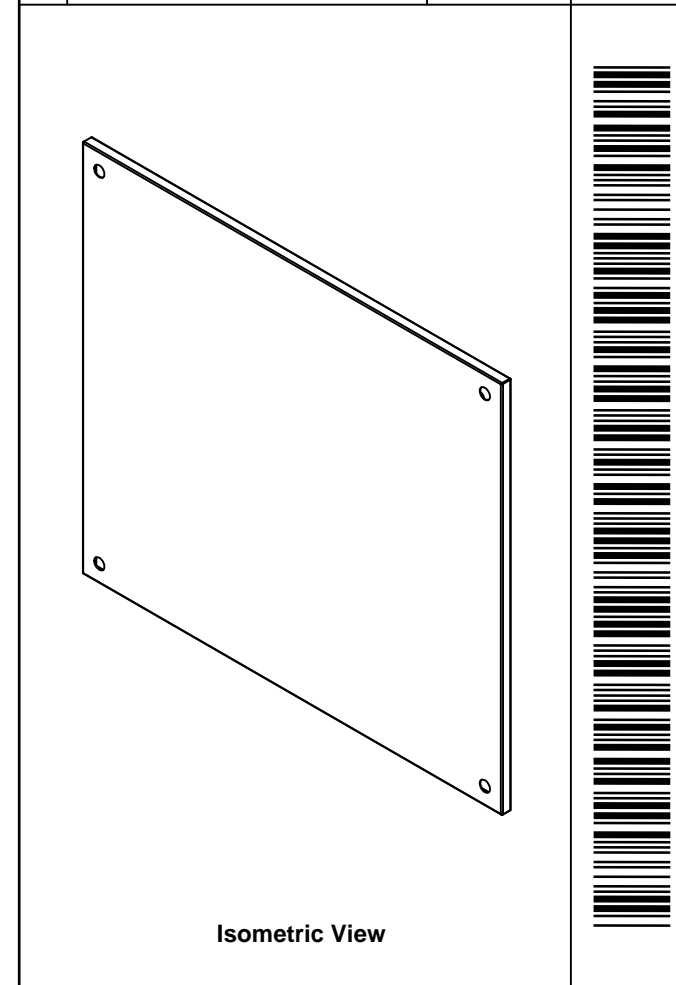


RIGHT



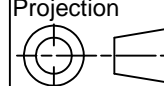


BOTTOM

No.	Revisions	Date	By/Par



Isometric View

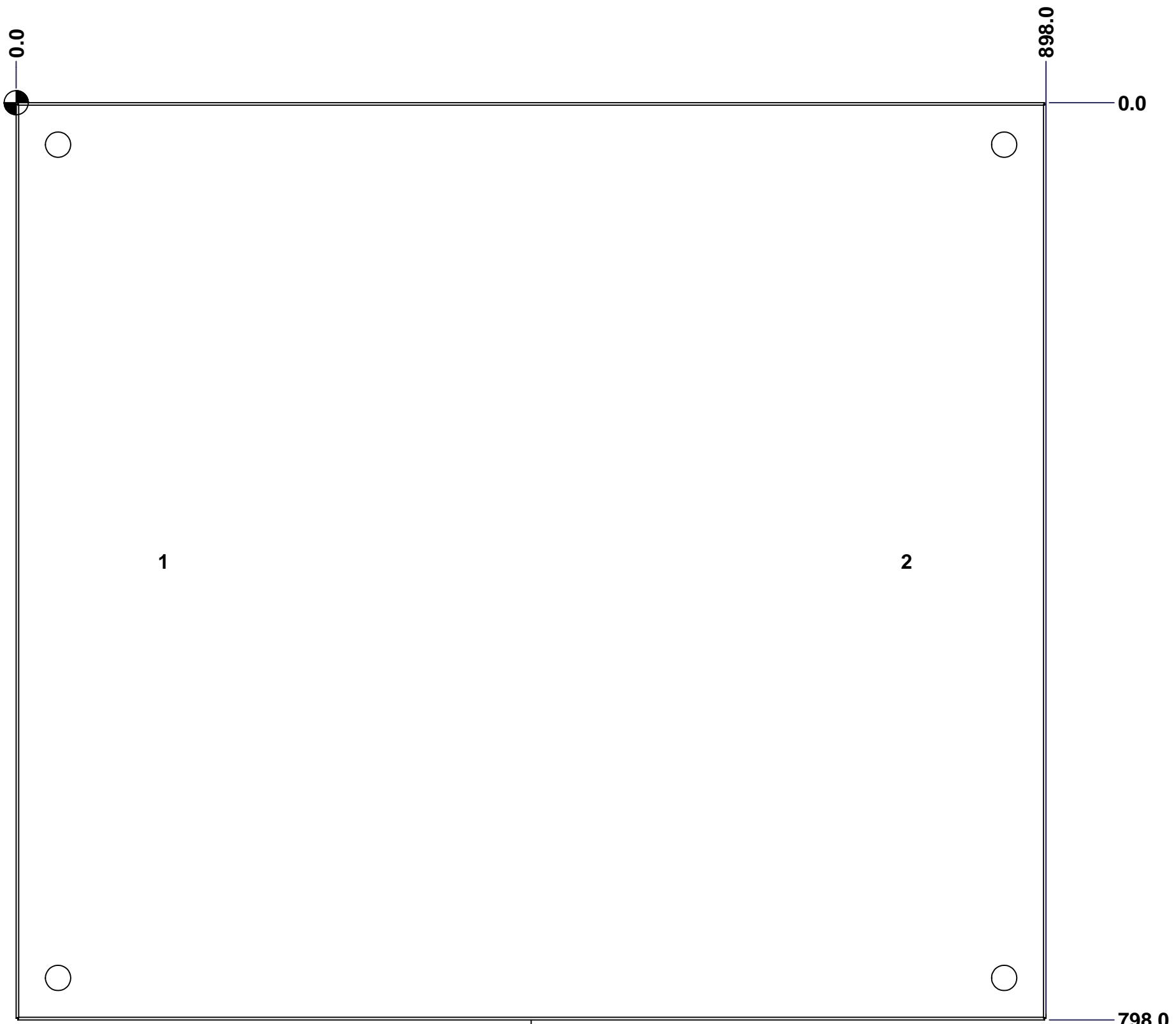
 Tél: (450) 979-4373 Fax: (450) 979-4626 www.exmweb.com		Flatness Aplatissement  Max 3.0mm Projection 
Customer Client	Date	
Drawn By Dessiné Par	BoxCad: Annie	Date 08/08/2014
Material Matière	16 Ga H.R.P. & O. (1.4mm)	
Color Couleur	Iron Grey RAL7011	Finish Fini Rough Textured
Description	Detail Rev.	
6500 MXT 900mm x 800mm Top		
Part Number Numéro Pièce	Rev.	1 3
6500MXK200908T	0	

SEE BILL OF MATERIAL ON LAST PAGE

This drawing is confidential and must not be reproduced or used without the consent of EXM

Ce dessin est confidentiel et ne doit pas être reproduit ou utilisé sans le consentement de EXM

STANDARD FEATURES ARE NOT LISTED IN THIS HOLE TABLE			
HOLE TABLE - FRONT VIEW (CUSTOM FEATURE ONLY)			
CUT-OUT	XDIM	YDIM	DESCRIPTION
1	125.0	399.0	GND STUD M6 x 16mm (Inside)
2	773.0	399.0	GND STUD M6 x 16mm (Inside)



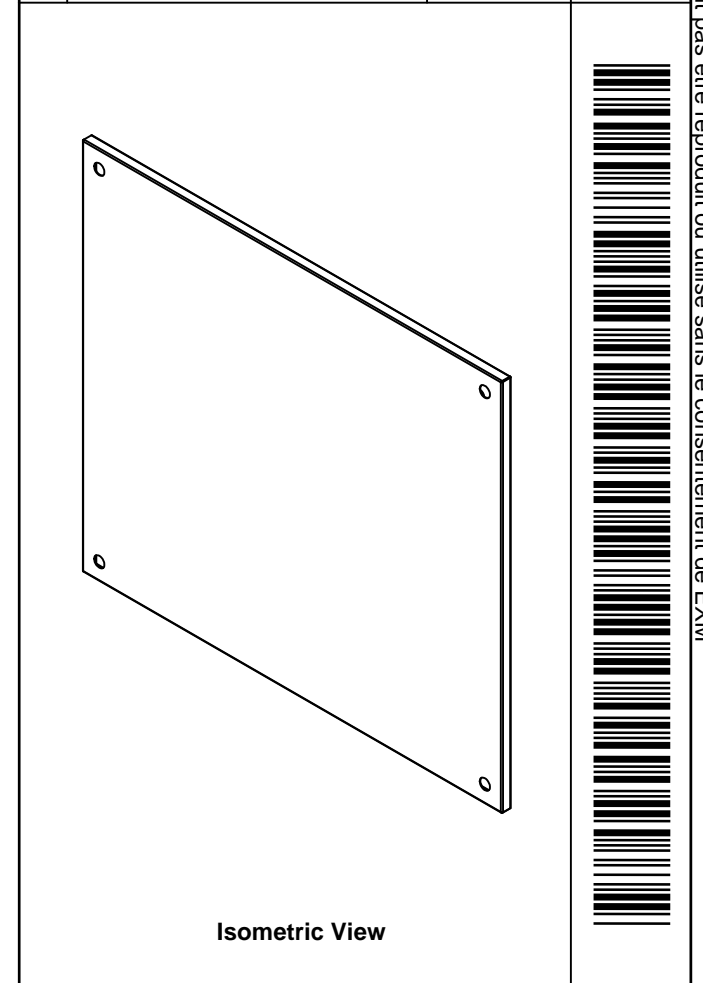
FRONT


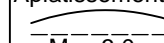
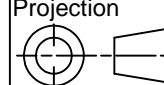
	Description	Status	
	6500 MXT 900mm x 800mm Top	(NULL)	
	Part Number Numéro Pièce	Rev.	
	6500MXK200908T	0	2/3

This drawing is confidential and must not be reproduced or used without the consent of EXM

Ce dessin est confidentiel et ne doit pas être reproduit ou utilisé sans le consentement de EXM

No.	Revisions	Date	By/Par

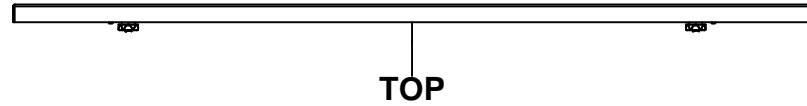


 Tél: (450) 979-4373 Fax: (450) 979-4626 www.exmweb.com		Flatness Aplatissement  Max 3.0mm Projection 	
Customer Client		Date	
Drawn By Dessiné Par BoxCad: Annie		Date 08/08/2014	
Material Matière 16 Ga H.R.P. & O. (1.4mm)			
Color Couleur Iron Grey RAL7011		Finish Fini Rough Textured	
Description 6500 MXT 900mm x 800mm Top			Detail Rev.
Part Number Numéro Pièce 6500MXK200908T			Rev. 3
			0
			3

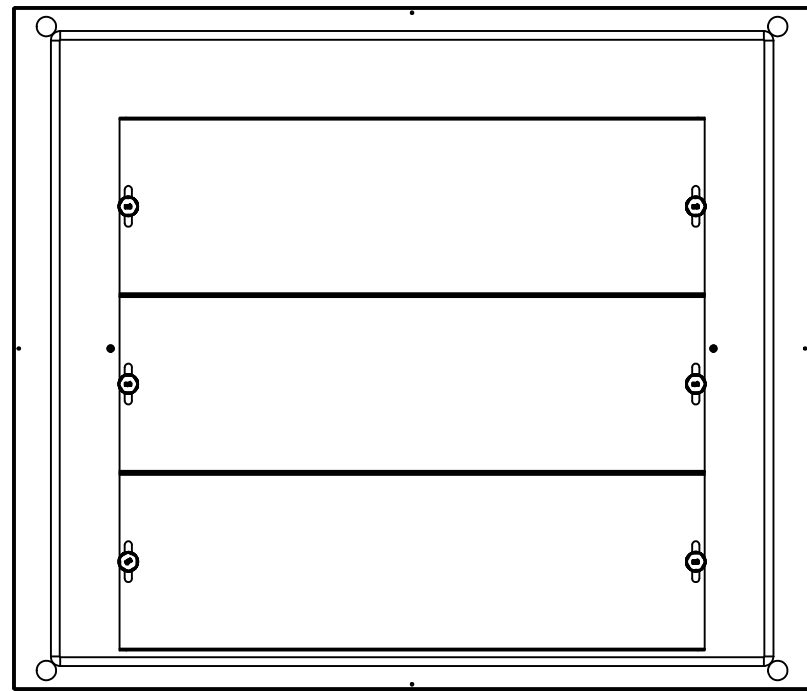
Qty	Part Number	Rev	Description
1	STK-P-03810R	0	Powder Paint (Iron Grey / Rough Textured)
2	STK-Q-16080	0.1.1	M6 x 16mm Ground Stud
1	6500MXK200908TG	0	6500 MXT 900mm x 800mm Top Gasket
1	6500MXK200908T-P	0	6500 MXT 900mm x 800mm Top Part
Parts List			

This drawing is confidential and must not be reproduced or used without the consent of EXM

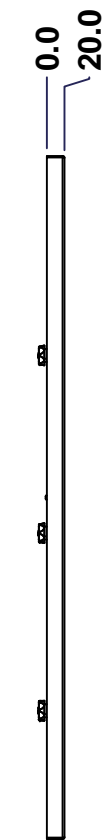
Ce dessin est confidentiel et ne doit pas être reproduit ou utilisé sans le consentement de EXM



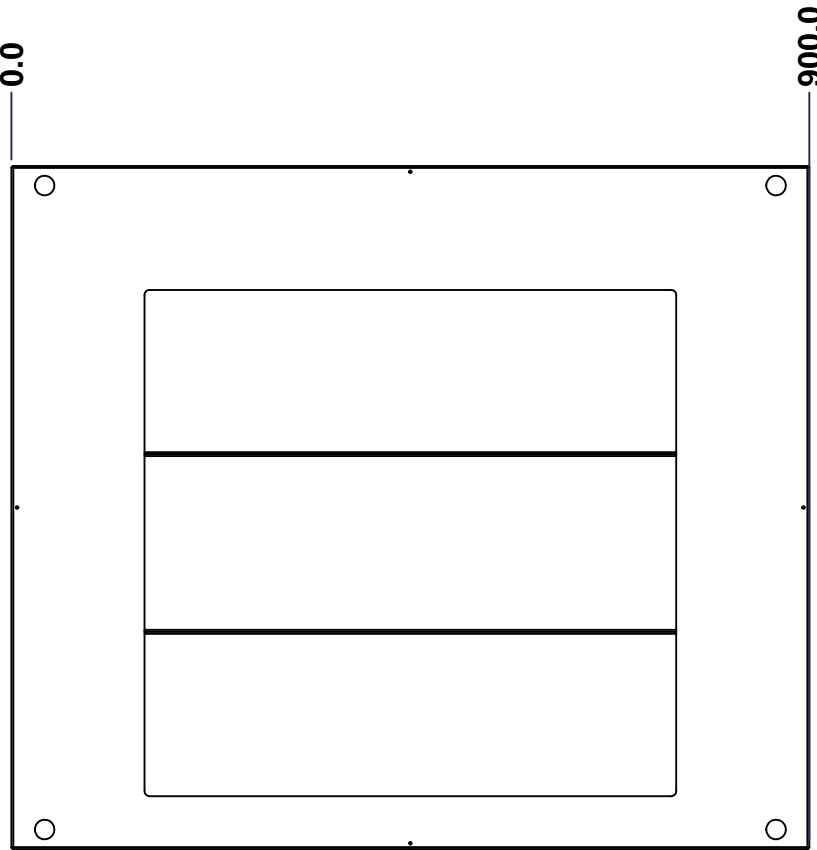
TOP



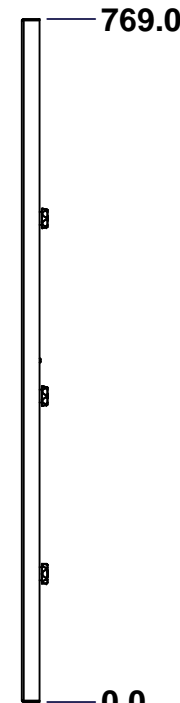
BACK



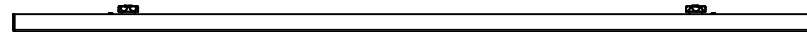
LEFT



FRONT

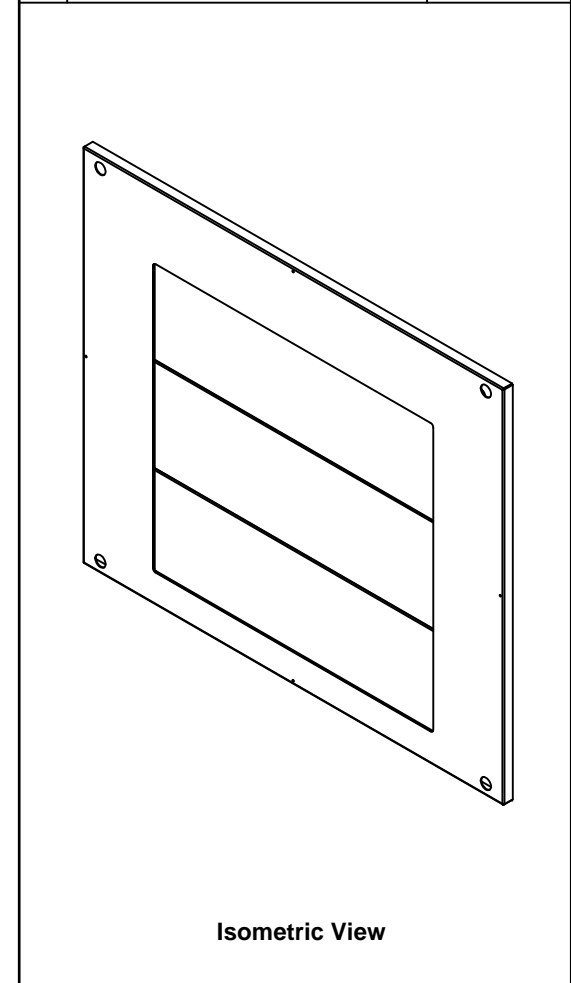


RIGHT




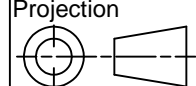
BOTTOM

No.	Revisions	Date	By/Par



Isometric View



 Tél: (450) 979-4373 Fax: (450) 979-4626 www.exmweb.com		Flatness Aplatissement Max 3.0mm Projection 
Customer Client	Date	
Drawn By / Dessiné Par: BoxCad: Annie	Date: 08/08/2014	
Material / Matière: 16 Ga H.R.P. & O. (1.4mm)		
Color / Couleur: Iron Grey RAL7011	Finish / Fini: Rough Textured	
Description: 6500 MXB 900mm x 800mm Bottom		Detail Rev.
Part Number / Numéro Pièce: 6500MXK200908BT	Rev. 0	1 / 3

SEE BILL OF MATERIAL ON LAST PAGE

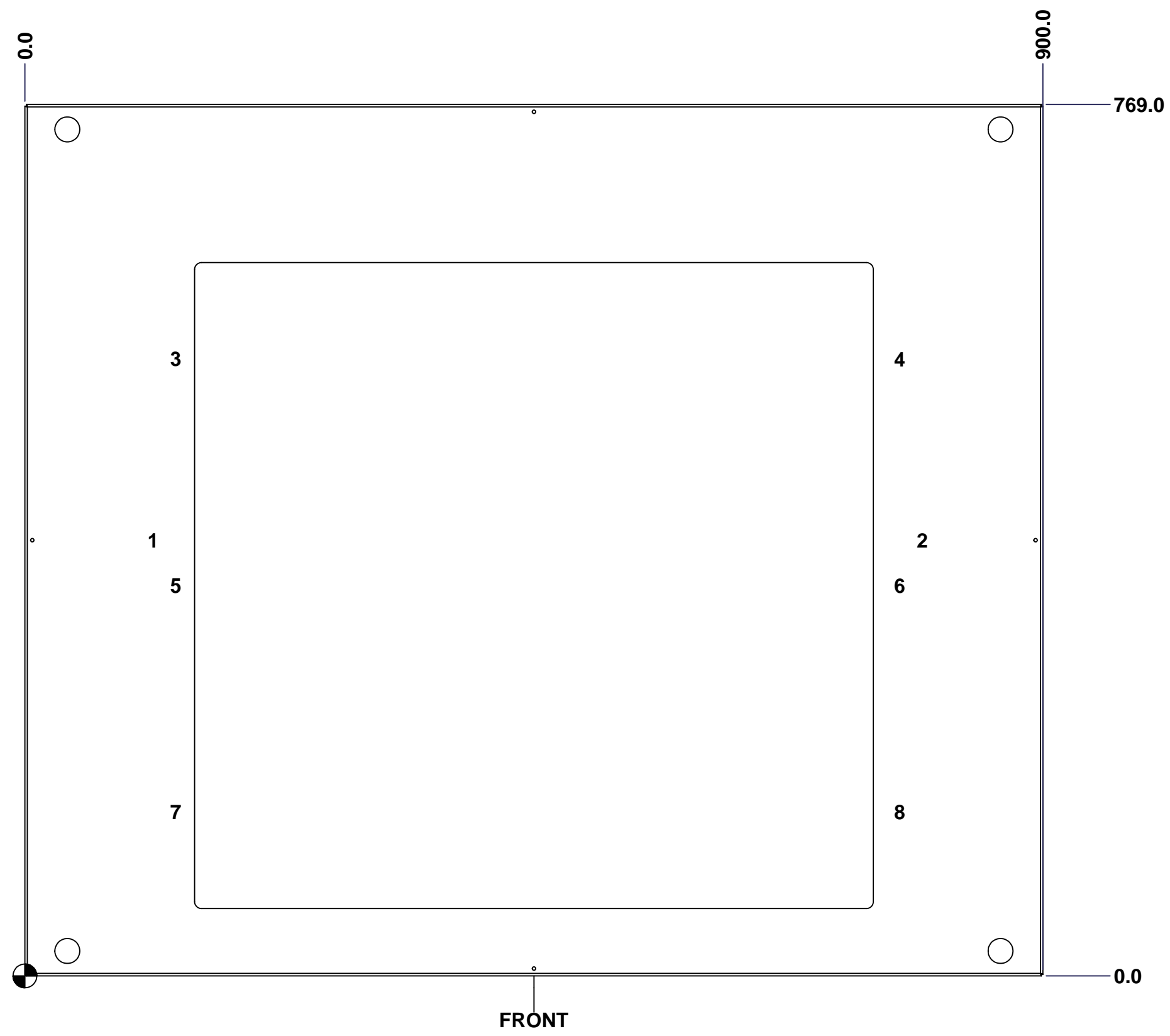
This drawing is confidential and must not be reproduced or used without the consent of EXM

Ce dessin est confidentiel et ne doit pas être reproduit ou utilisé sans le consentement de EXM

STANDARD FEATURES ARE NOT LISTED IN THIS HOLE TABLE

HOLE TABLE - FRONT VIEW (CUSTOM FEATURE ONLY)

CUT-OUT	XDIM	YDIM	DESCRIPTION
1	110.0	384.5	GND STUD M6 x 16mm (Inside)
2	790.0	384.5	GND STUD M6 x 16mm (Inside)
3	130.0	544.5	GP STUD M6 x 10mm (Inside)
4	770.0	544.5	GP STUD M6 x 10mm (Inside)
5	130.0	344.5	GP STUD M6 x 10mm (Inside)
6	770.0	344.5	GP STUD M6 x 10mm (Inside)
7	130.0	144.5	GP STUD M6 x 10mm (Inside)
8	770.0	144.5	GP STUD M6 x 10mm (Inside)



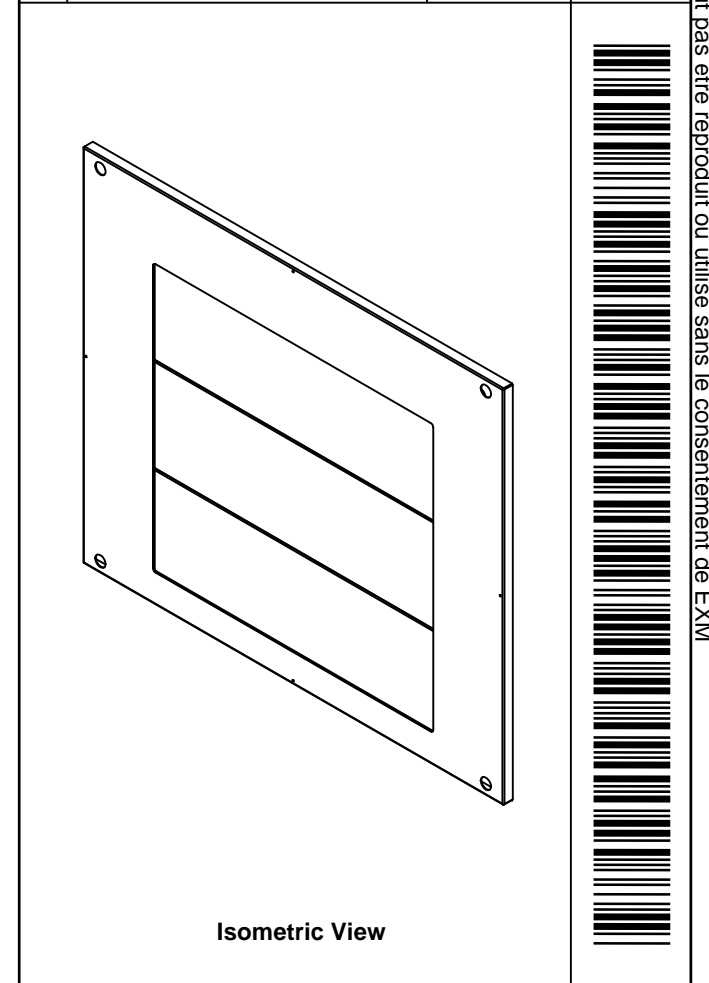
FRONT


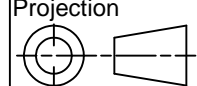
	Description 6500 MXB 900mm x 800mm Bottom		Status (NULL)
	Part Number Numéro Pièce 6500MXK200908BT		Rev. 2 0 / 3

This drawing is confidential and must not be reproduced or used without the consent of EXM

Ce dessin est confidentiel et ne doit pas être reproduit ou utilisé sans le consentement de EXM

No.	Revisions	Date	By/Par

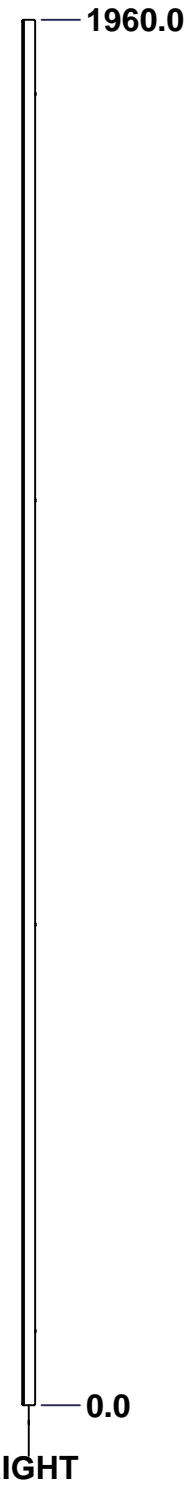
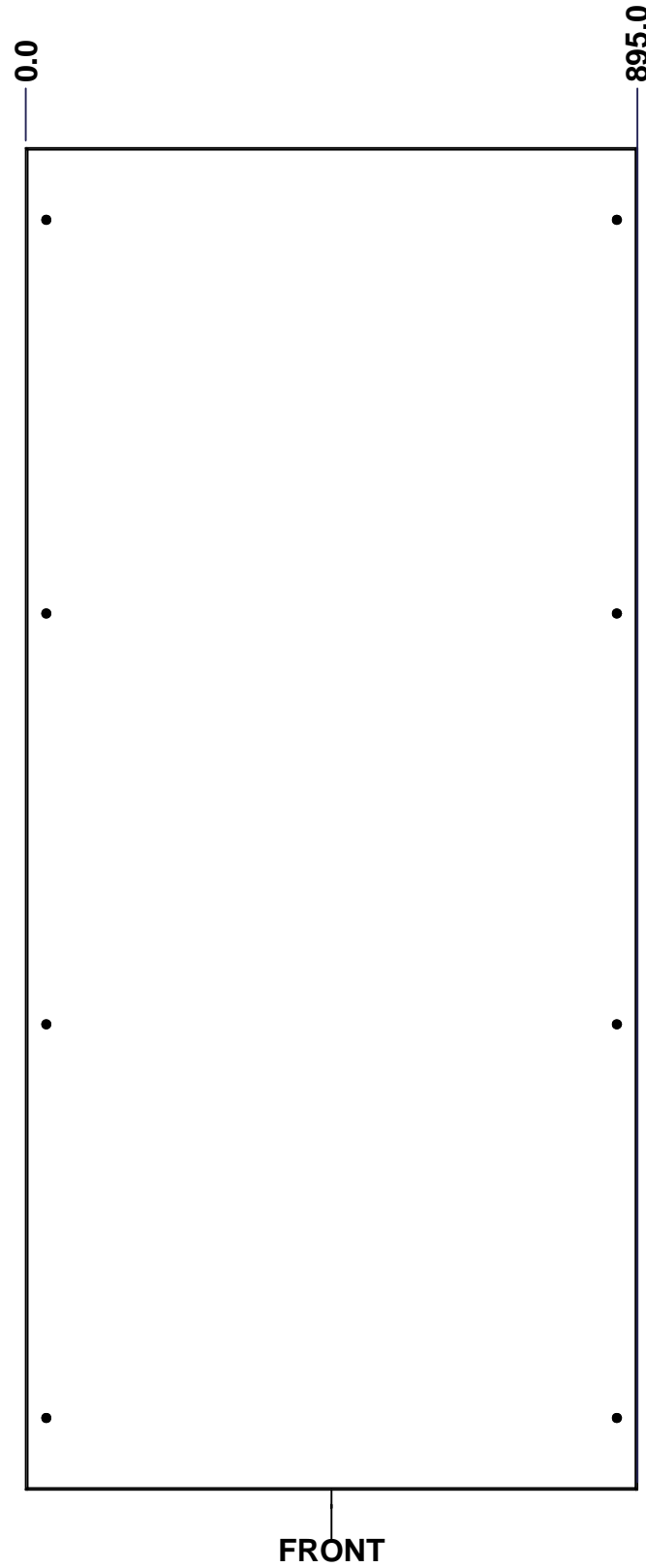
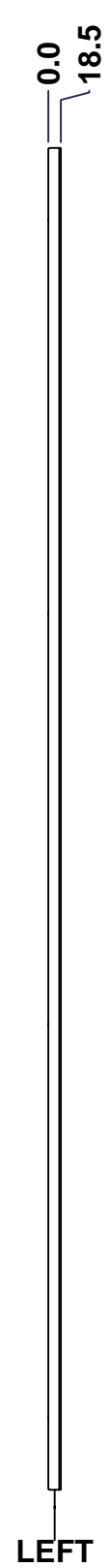
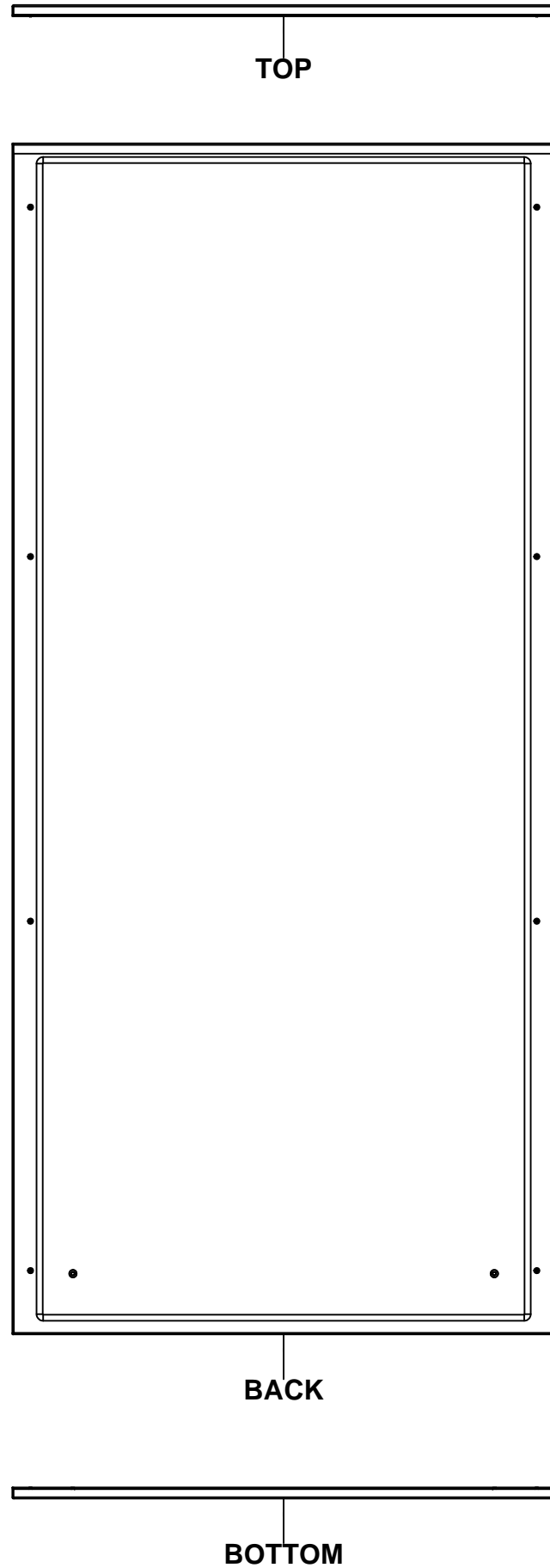


 Tél: (450) 979-4373 Fax: (450) 979-4626 www.exmweb.com		Flatness Aplatissement Max 3.0mm Projection 
Customer Client	Date	
Drawn By Dessiné Par	BoxCad: Annie	Date 08/08/2014
Material Matière	16 Ga H.R.P. & O. (1.4mm)	
Color Couleur	Iron Grey RAL7011	Finish Fini Rough Textured
Description	Detail Rev.	
6500 MXB 900mm x 800mm Bottom		
Part Number Numéro Pièce	Rev. 0	3
6500MXK200908BT		3

Qty	Part Number	Rev	Description
1	STK-P-03810R	0	Powder Paint (Iron Grey / Rough Textured)
6	STK-Q-06001	0	Mtrx - Gland Plate M6 Plastic Thumb Nut
2	STK-Q-16055	1	M6 x 18mm Stud (No Paint Cap Required)
3	6500MXK200908GP200-P	0	6500 MXB 900mm Gland Plate Part (200mm)
6	STK-Q-16031	0	M6 x 10mm Stud (No Paint Cap Required)
1	6500MXK200908BTGPG	0	6500 MXB 900mm x 800mm Bottom Gland Plate Gasket
1	6500MXK200908BTG	0	6500 MXB 900mm x 800mm Bottom Gasket
1	6500MXK200908BT-P	0	6500 MXB 900mm x 800mm Bottom Part
Parts List			

This drawing is confidential and must not be reproduced or used without the consent of EXM

Ce dessin est confidentiel et ne doit pas être reproduit ou utilisé sans le consentement de EXM



No.	Revisions	Date	By/Par

Isometric View

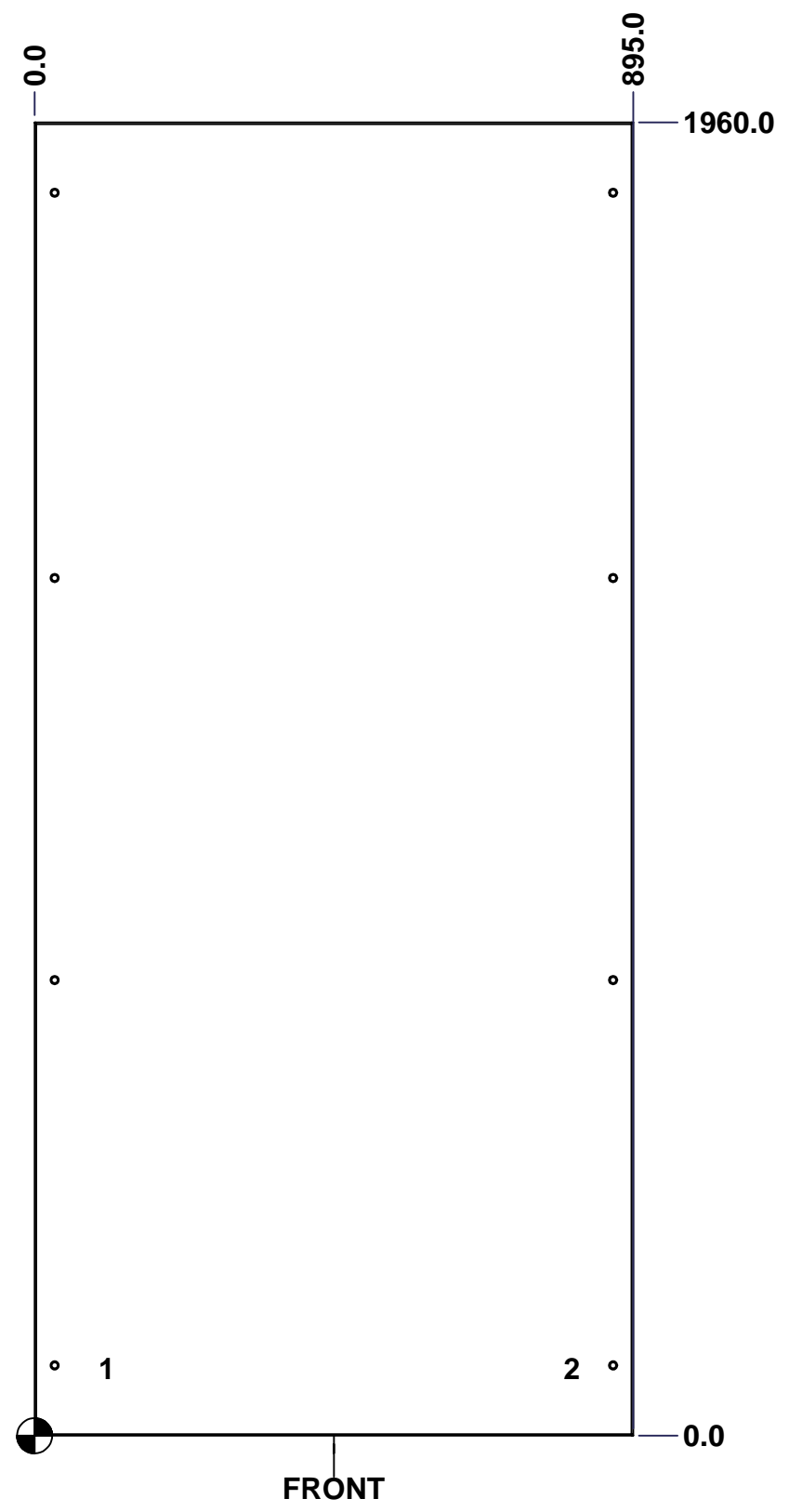
Tél: (450) 979-4373 Fax: (450) 979-4626 www.exmweb.com		Flatness Aplatissement	
		Max 3.0mm	
Customer Client		Projection	
Date			
Drawn By Dessiné Par BoxCad: Annie		Date 08/08/2014	
Material Matière 14 Ga H.R.P. & O. (1.7mm)		Color Couleur Light Grey RAL7035	
Description		Finish Fini Rough Textured	
6500 MXR 2000mm x 900mm Back		Detail Rev.	
Part Number Numéro Pièce 6500MXK200908B		Rev. 0	1 / 3

SEE BILL OF MATERIAL ON LAST PAGE

This drawing is confidential and must not be reproduced or used without the consent of EXM

Ce dessin est confidentiel et ne doit pas être reproduit ou utilisé sans le consentement de EXM

STANDARD FEATURES ARE NOT LISTED IN THIS HOLE TABLE			
HOLE TABLE - FRONT VIEW (CUSTOM FEATURE ONLY)			
CUT-OUT	XDIM	YDIM	DESCRIPTION
1	100.0	100.0	GND STUD M6 x 16mm (Inside)
2	795.0	100.0	GND STUD M6 x 16mm (Inside)

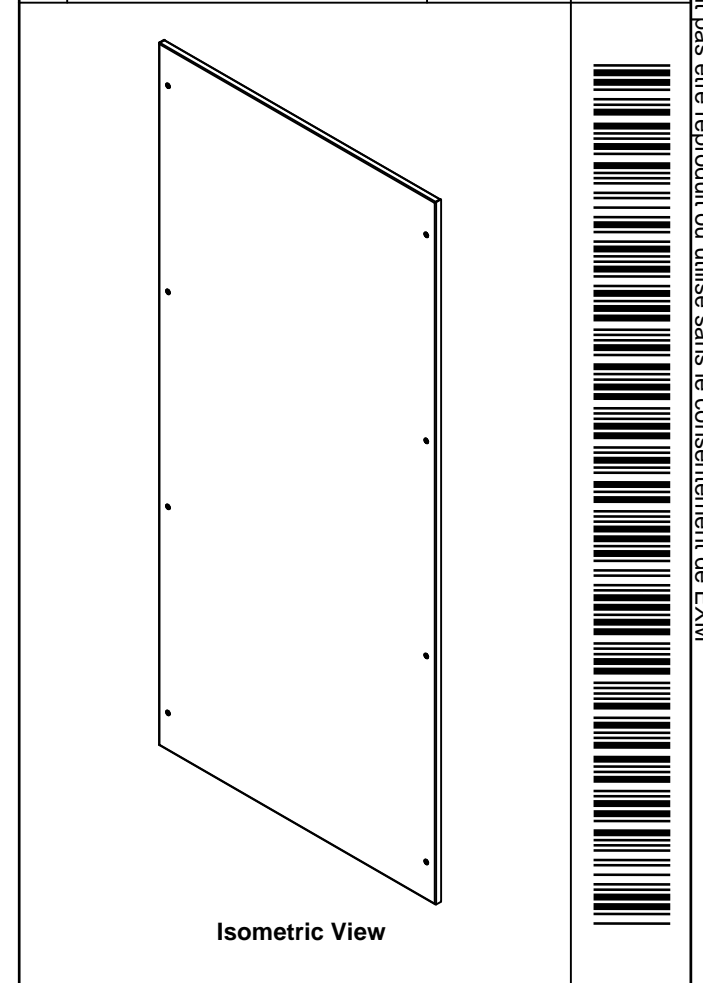



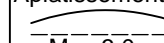
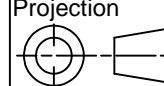
	Description	Status
	6500 MXR 2000mm x 900mm Back	(NULL)
	Part Number Numéro Pièce	Rev.
	6500MXK200908B	0
		2
		3

This drawing is confidential and must not be reproduced or used without the consent of EXM

Ce dessin est confidentiel et ne doit pas être reproduit ou utilisé sans le consentement de EXM

No.	Revisions	Date	By/Par

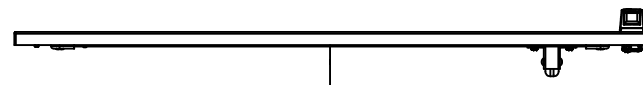


 Tél: (450) 979-4373 Fax: (450) 979-4626 www.exmweb.com		Flatness Aplatissement  Max 3.0mm
Customer Client		Projection 
Drawn By / Dessiné Par: BoxCad: Annie		Date: 08/08/2014
Material / Matière: 14 Ga H.R.P. & O. (1.7mm)		
Color / Couleur: Light Grey RAL7035	Finish / Fini: Rough Textured	
Description: 6500 MXR 2000mm x 900mm Back		Detail Rev.
Part Number / Numéro Pièce: 6500MXK200908B		Rev. 3 0

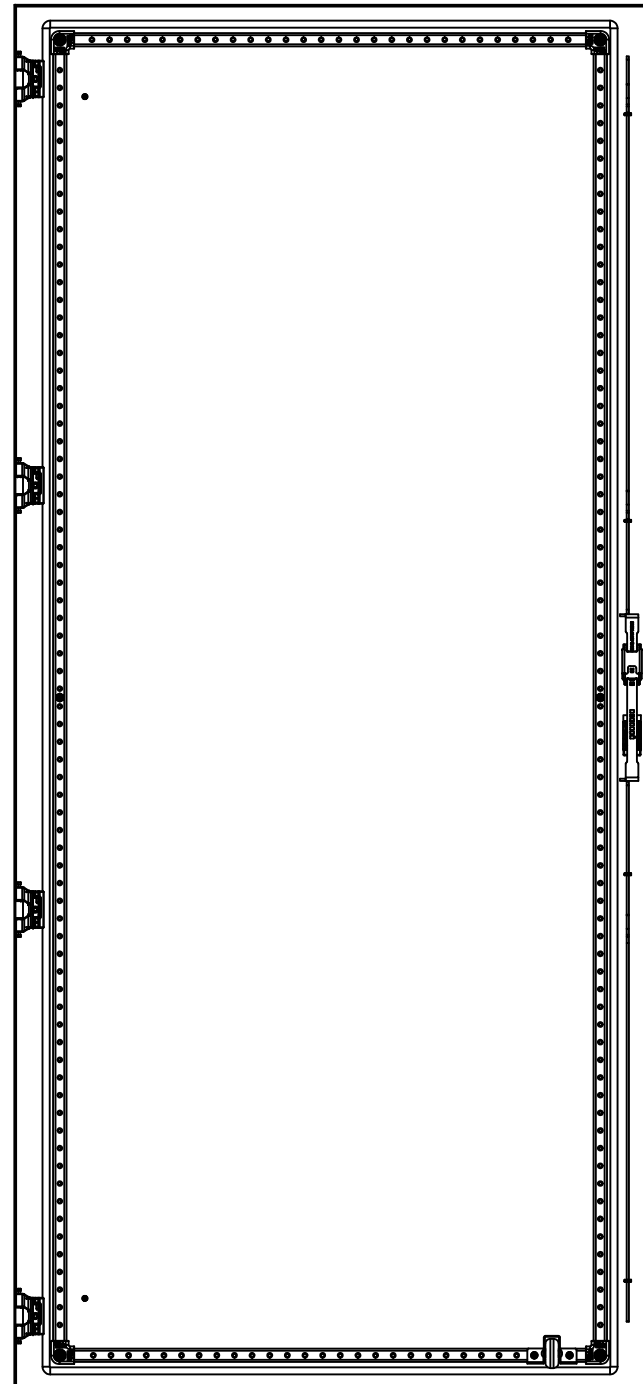
Qty	Part Number	Rev	Description
1	STK-P-03820R	0	Powder Paint (Light Grey / Rough Textured)
8	STK-Q-03072	2	M6 x 17mm Phillips Flat Head Screw
2	STK-Q-16080	0.1.1	M6 x 16mm Ground Stud
1	6500MXK200908BG	0	6500 MXR 2000mm x 900mm Back Gasket
1	6500MXK200908B-P	0	6500 MXR 2000mm x 900mm Back Part
Parts List			

This drawing is confidential and must not be reproduced or used without the consent of EXM

Ce dessin est confidentiel et ne doit pas être reproduit ou utilisé sans le consentement de EXM



TOP

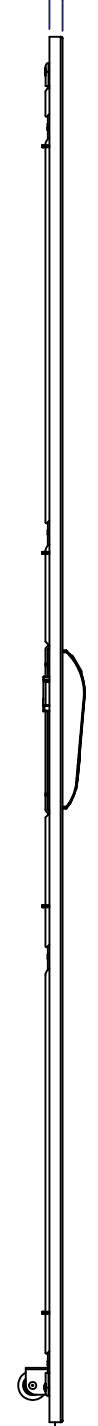


BACK



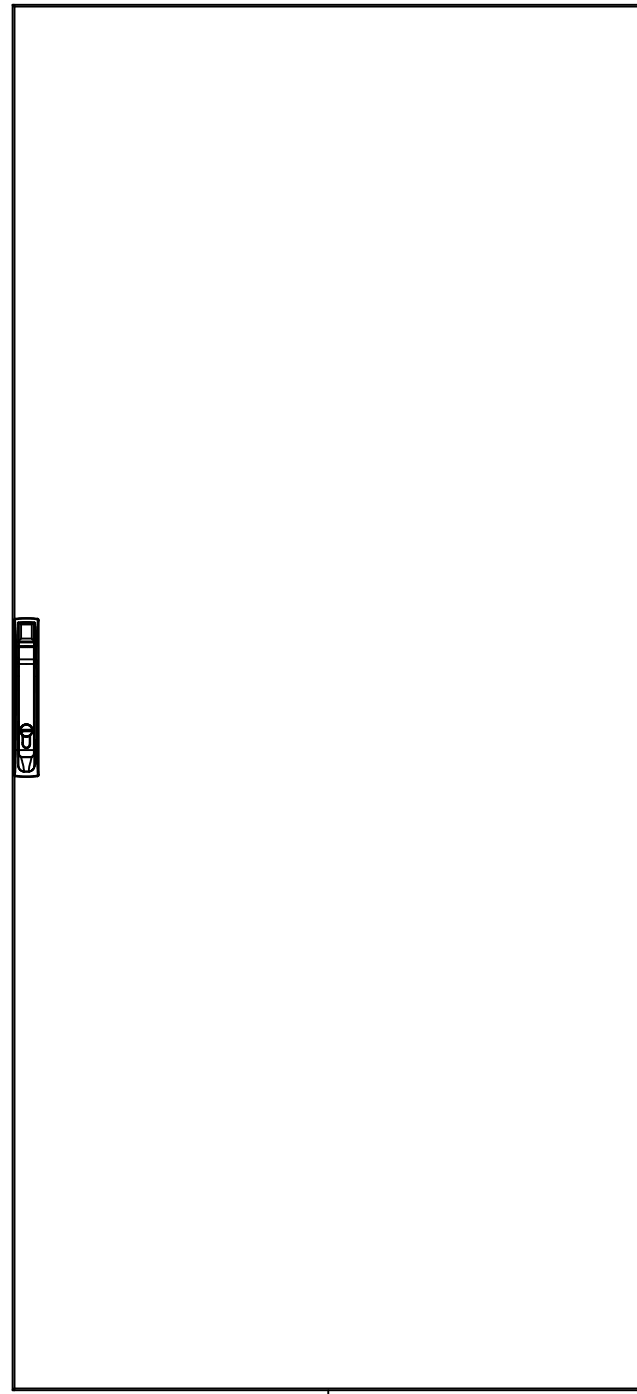
BOTTOM

0.0
18.5



LEFT

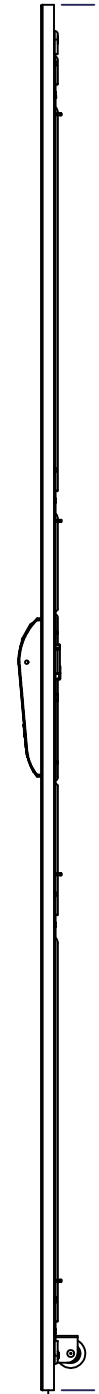
895.0



FRONT

0.0

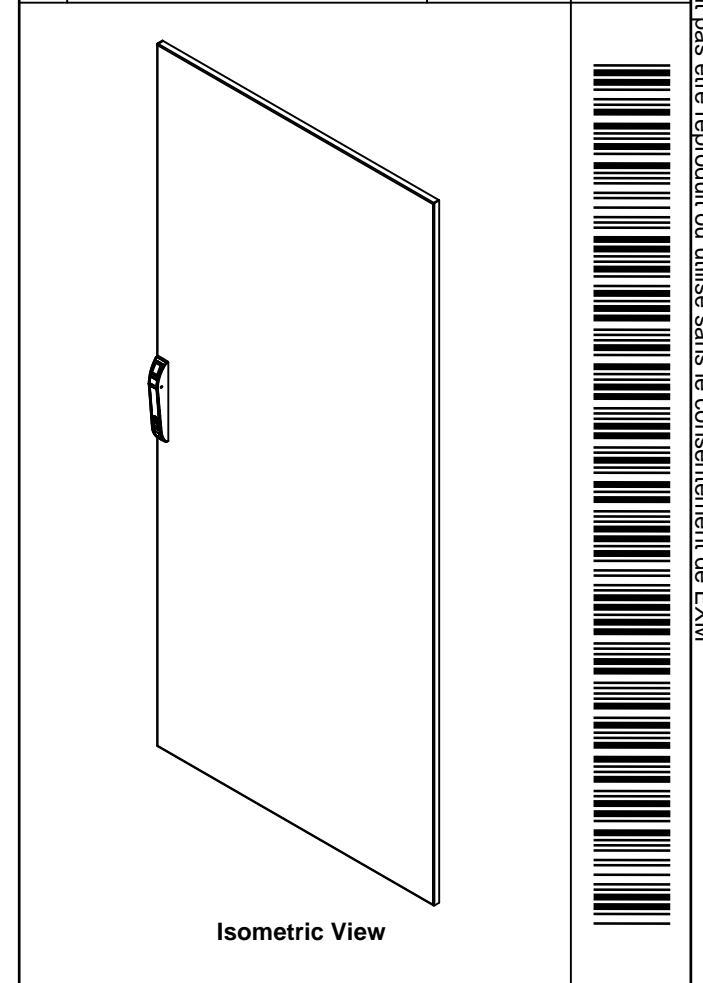
1960.0


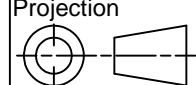


RIGHT

0.0

No.	Revisions	Date	By/Par



 Tél: (450) 979-4373 Fax: (450) 979-4626 www.exmweb.com		Flatness Aplatissement Max 3.0mm Projection 
Customer Client	BoxCad: Annie	Date 08/08/2014
Material Matière		14 Ga H.R.P. & O. (1.7mm)
Color Couleur	Light Grey RAL7035	Finish Fini Rough Textured
Description		Detail Rev.
6500 MXD 2000mm x 900mm Front		
Part Number Numéro Pièce	Rev. 0	1 3
6500MXK200908F		

SEE BILL OF MATERIAL ON LAST PAGE

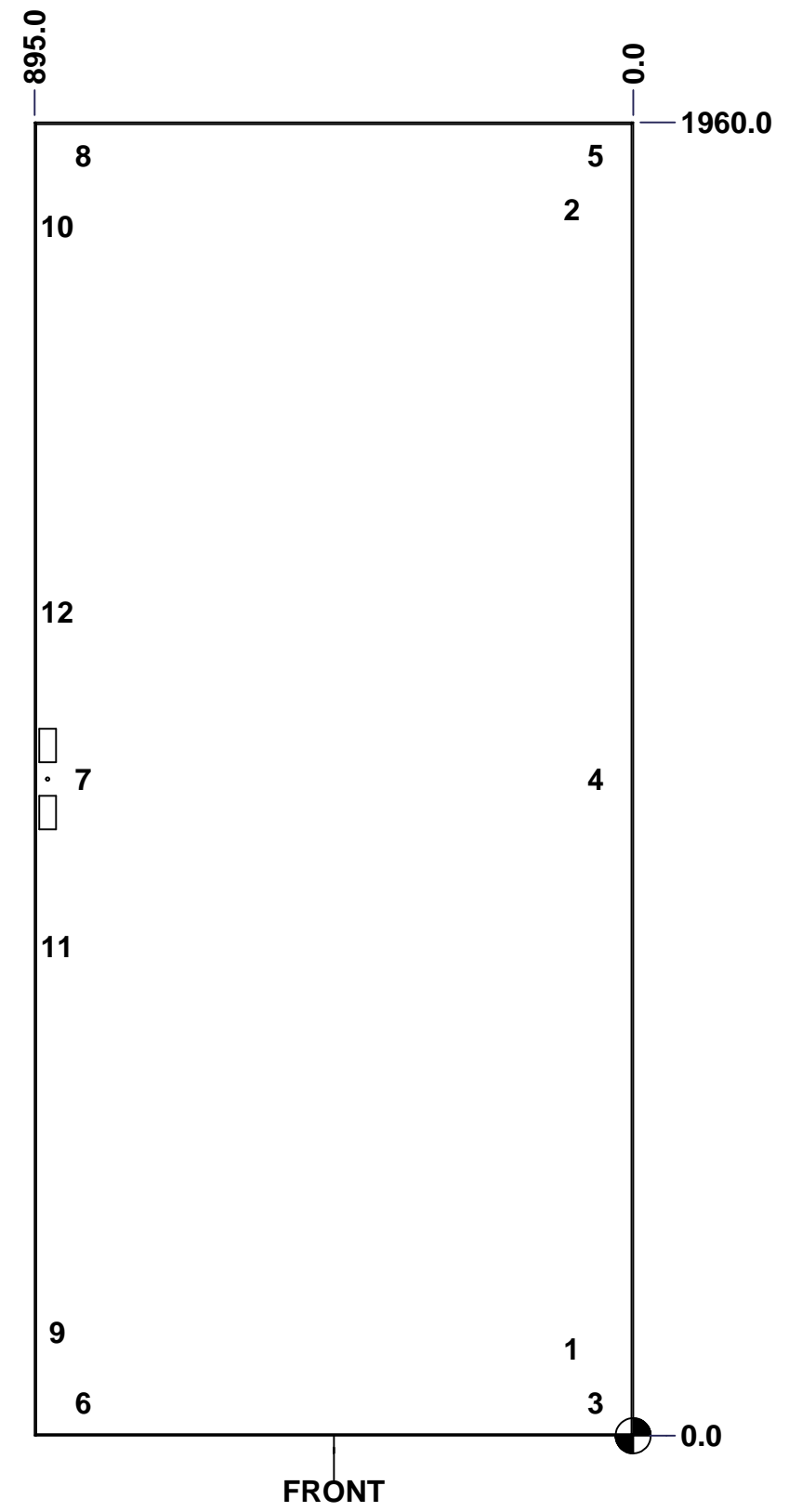
This drawing is confidential and must not be reproduced or used without the consent of EXM

Ce dessin est confidentiel et ne doit pas être reproduit ou utilisé sans le consentement de EXM

STANDARD FEATURES ARE NOT LISTED IN THIS HOLE TABLE

HOLE TABLE - FRONT VIEW (CUSTOM FEATURE ONLY)

CUT-OUT	XDIM	YDIM	DESCRIPTION
1	100.0	130.0	GND STUD M6 x 16mm (Inside)
2	100.0	1830.0	GND STUD M6 x 16mm (Inside)
3	64.5	49.5	STIFF. STUD M6 x 18mm (Inside)
4	64.5	980.0	STIFF. STUD M6 x 18mm (Inside)
5	64.5	1910.5	STIFF. STUD M6 x 18mm (Inside)
6	830.5	49.5	STIFF. STUD M6 x 18mm (Inside)
7	830.5	980.0	STIFF. STUD M6 x 18mm (Inside)
8	830.5	1910.5	STIFF. STUD M6 x 18mm (Inside)
9	869.5	155.0	CLOSING BAR GUIDE (Inside)
10	869.5	1805.0	CLOSING BAR GUIDE (Inside)
11	869.5	730.0	CLOSING BAR GUIDE (Inside)
12	869.5	1230.0	CLOSING BAR GUIDE (Inside)

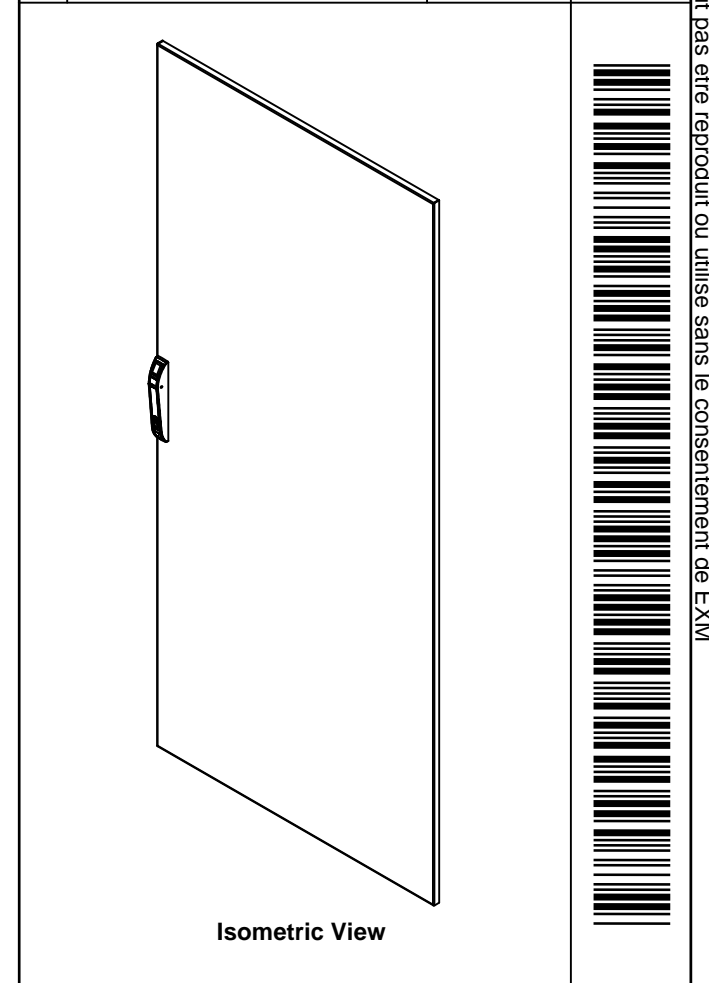


	Description 6500 MXD 2000mm x 900mm Front		Status (NULL)	
	Part Number Numéro Pièce 6500MXK200908F		Rev. 0	2 3


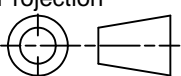
This drawing is confidential and must not be reproduced or used without the consent of EXM

Ce dessin est confidentiel et ne doit pas être reproduit ou utilisé sans le consentement de EXM

No.	Revisions	Date	By/Par

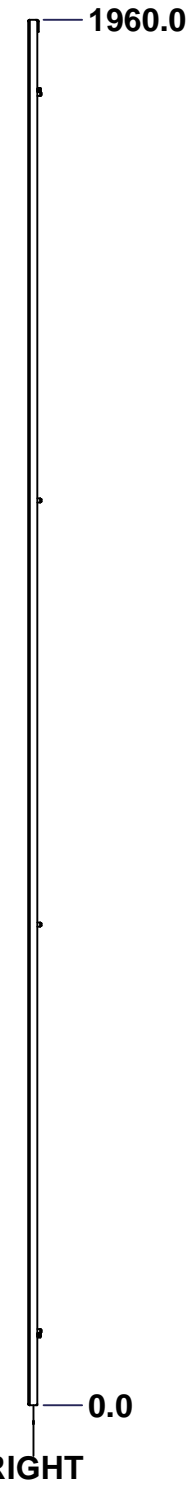
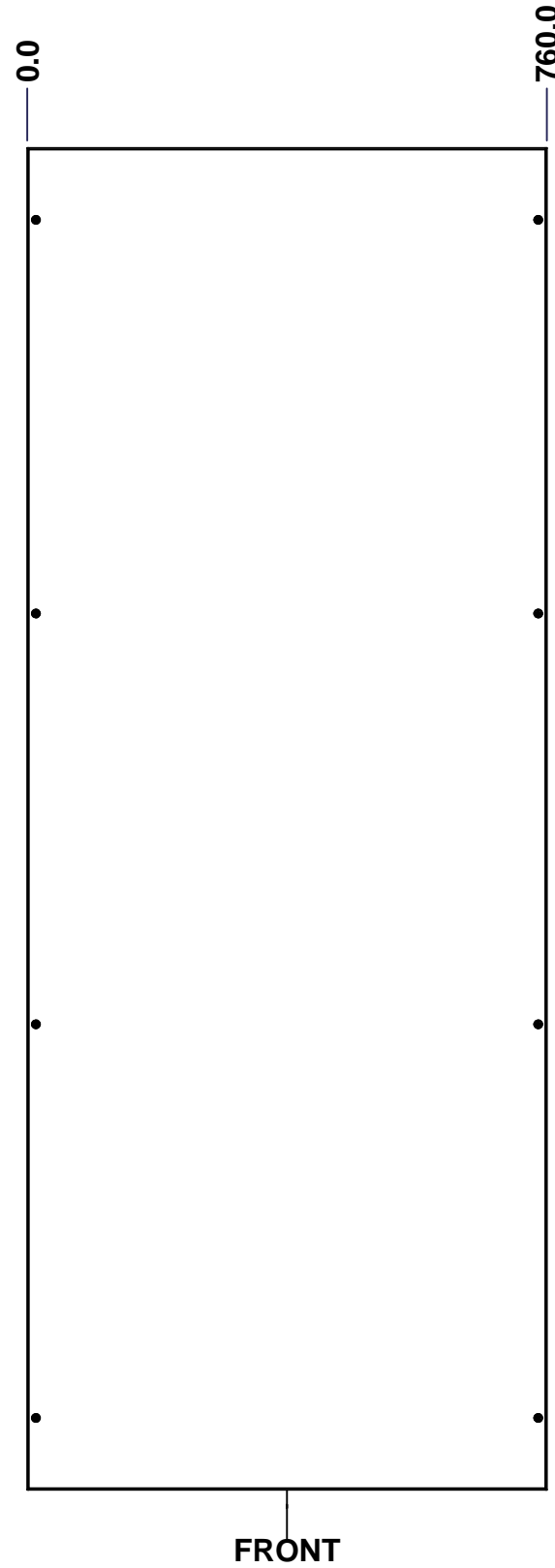
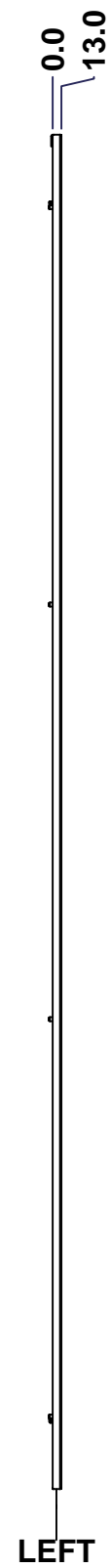
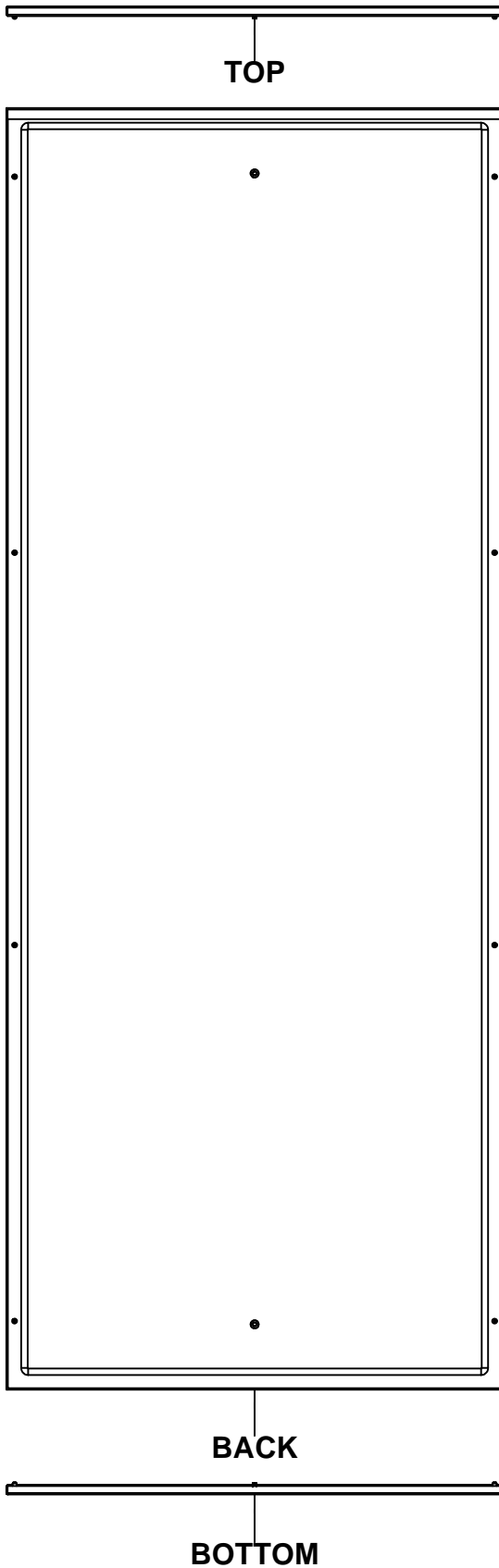


1	STK-P-03820R	0	Powder Paint (Light Grey / Rough Textured)
1	6500MXSRK	1	6500 MXRSK Door Support Roller
4	STK-Q-78022	0	Mtrx Closing Bar Slider
1	STK-Q-45746-20	1	6500 MXD - Lock Door Closing Bar
4	STK-Q-33105	4	5412 ESBU Buttable Hinge (Cover Part)
1	STK-Q-45729-20	2	6500 MXD - Lock Door Top Closing Bar
1	886PHD-S	4	Euroform Pull Handle Kit
8	STK-Q-16055	1	M6 x 18mm Stud (No Paint Cap Required)
1	6500MXK200908DS1	5	6500 MX 2000mm x 900mm Door Stiffener
1	6500MXK200908FG	0	6500 MXD 2000mm x 900mm Front Gasket
1	6500MXK200908F-P	0	6500 MXD 2000mm x 900mm Front Part
4	STK-K-06811	1	6500 MX - Hinge Assy
Qty	Part Number	Rev	Description
Parts List			

 Tél: (450) 979-4373 Fax: (450) 979-4626 www.exmweb.com		Flatness Aplatissement Max 3.0mm Projection 
Customer Client	Date	Date
Drawn By Dessiné Par	BoxCad: Annie	08/08/2014
Material Matière	14 Ga H.R.P. & O. (1.7mm)	
Color Couleur	Light Grey RAL7035	Finish Fini
		Rough Textured
Description		Detail Rev.
6500 MXD 2000mm x 900mm Front		
Part Number Numéro Pièce	Rev.	3
6500MXK200908F	0	3

This drawing is confidential and must not be reproduced or used without the consent of EXM

Ce dessin est confidentiel et ne doit pas être reproduit ou utilisé sans le consentement de EXM



No.	Revisions	Date	By/Par

Isometric View

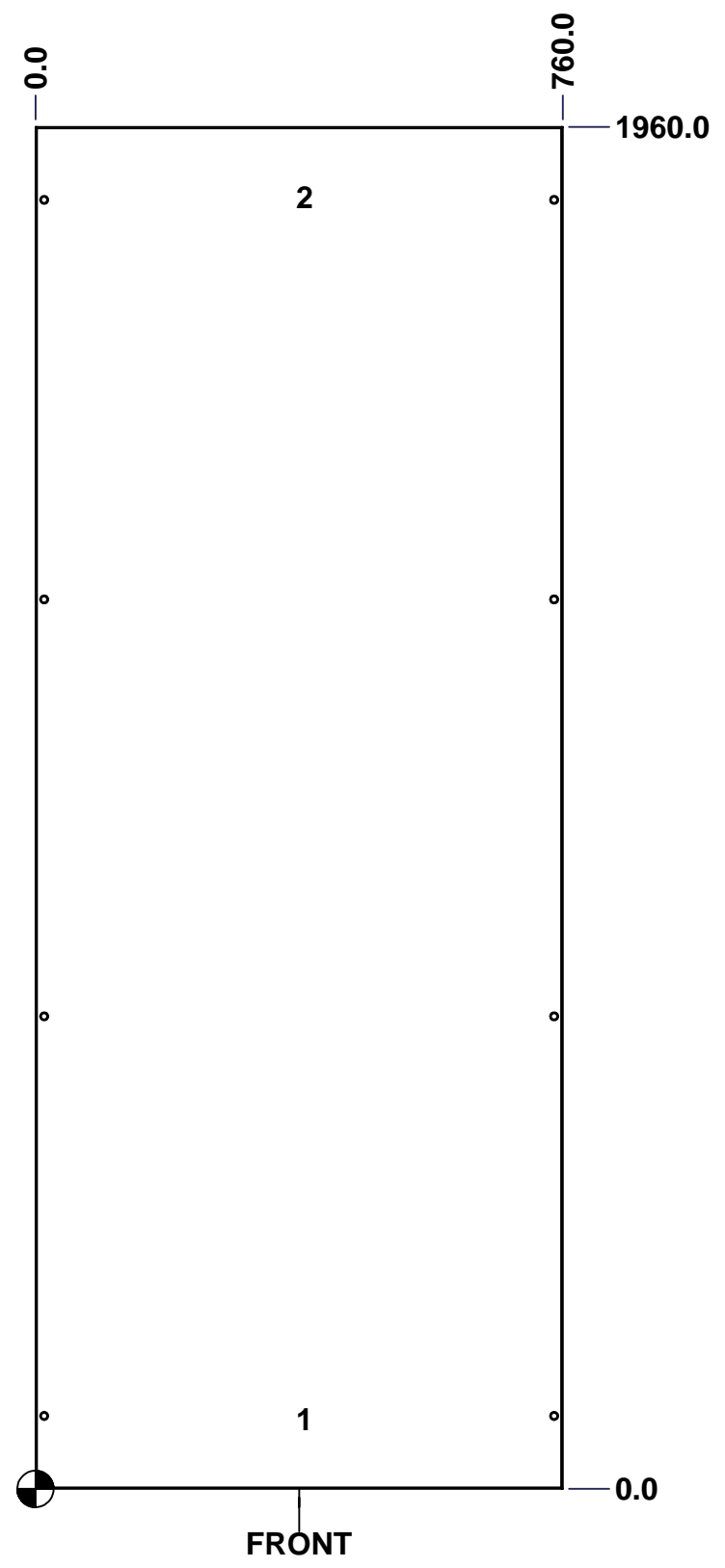
		Flatness Aplatissement Max 3.0mm Projection	
Tél: (450) 979-4373 Fax: (450) 979-4626 www.exmweb.com			
Customer Client		Date	
Drawn By / Dessiné Par: BoxCad: Annie		Date: 08/08/2014	
Material / Matière: 16 Ga H.R.P. & O. (1.4mm)		Color / Couleur: Light Grey RAL7035	
Description: 6500 MXC 2000mm x 800mm Left		Finish / Fini: Rough Textured	
Part Number / Numéro Pièce: 6500MXK200908L		Detail Rev.:	
		Rev.:	1 3

SEE BILL OF MATERIAL ON LAST PAGE

This drawing is confidential and must not be reproduced or used without the consent of EXM

Ce dessin est confidentiel et ne doit pas être reproduit ou utilisé sans le consentement de EXM

STANDARD FEATURES ARE NOT LISTED IN THIS HOLE TABLE			
HOLE TABLE - FRONT VIEW (CUSTOM FEATURE ONLY)			
CUT-OUT	XDIM	YDIM	DESCRIPTION
1	380.0	100.0	GND STUD M6 x 16mm (Inside)
2	380.0	1860.0	GND STUD M6 x 16mm (Inside)

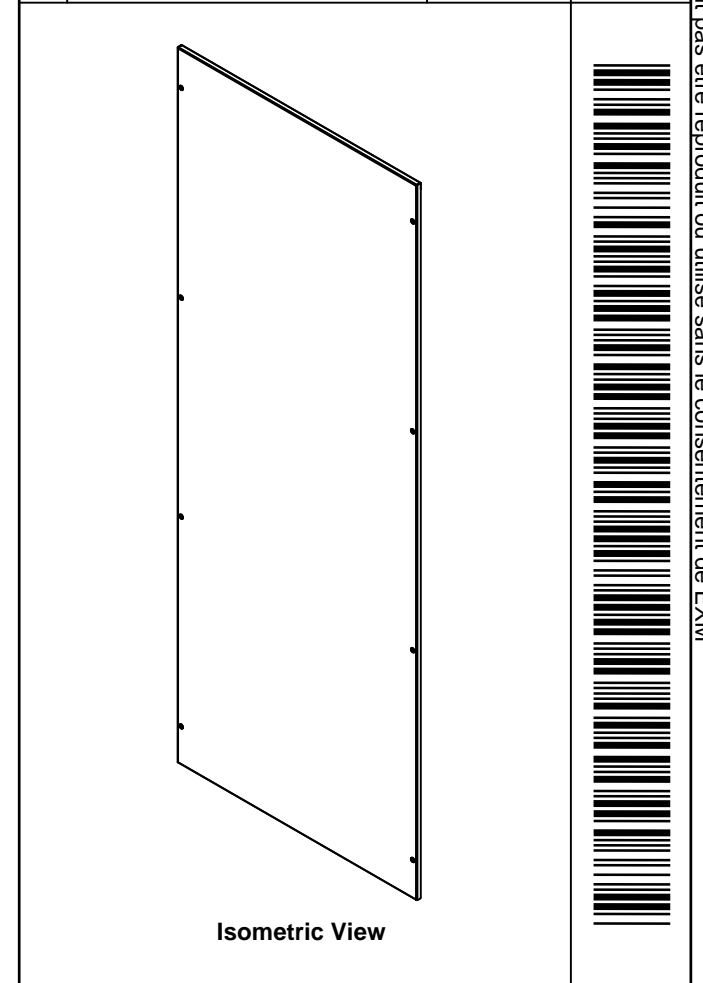


	Description	Status
	6500 MXC 2000mm x 800mm Left	(NULL)
	Part Number Numéro Pièce	Rev.
	6500MXK200908L	0
		2
		3

This drawing is confidential and must not be reproduced or used without the consent of EXM

Ce dessin est confidentiel et ne doit pas être reproduit ou utilisé sans le consentement de EXM

No.	Revisions	Date	By/Par

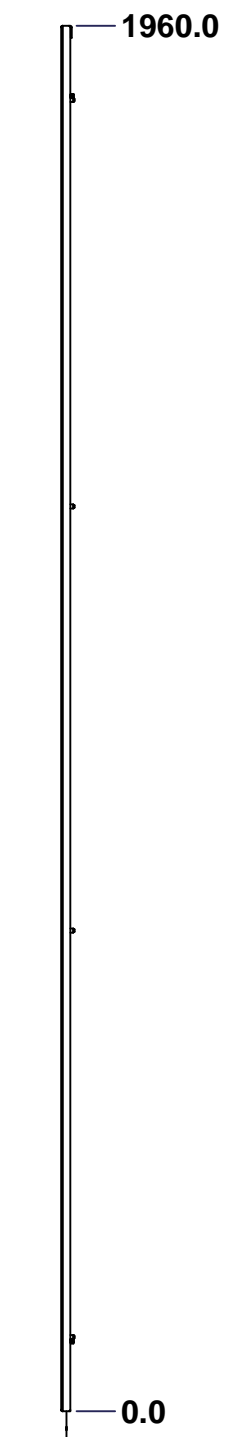
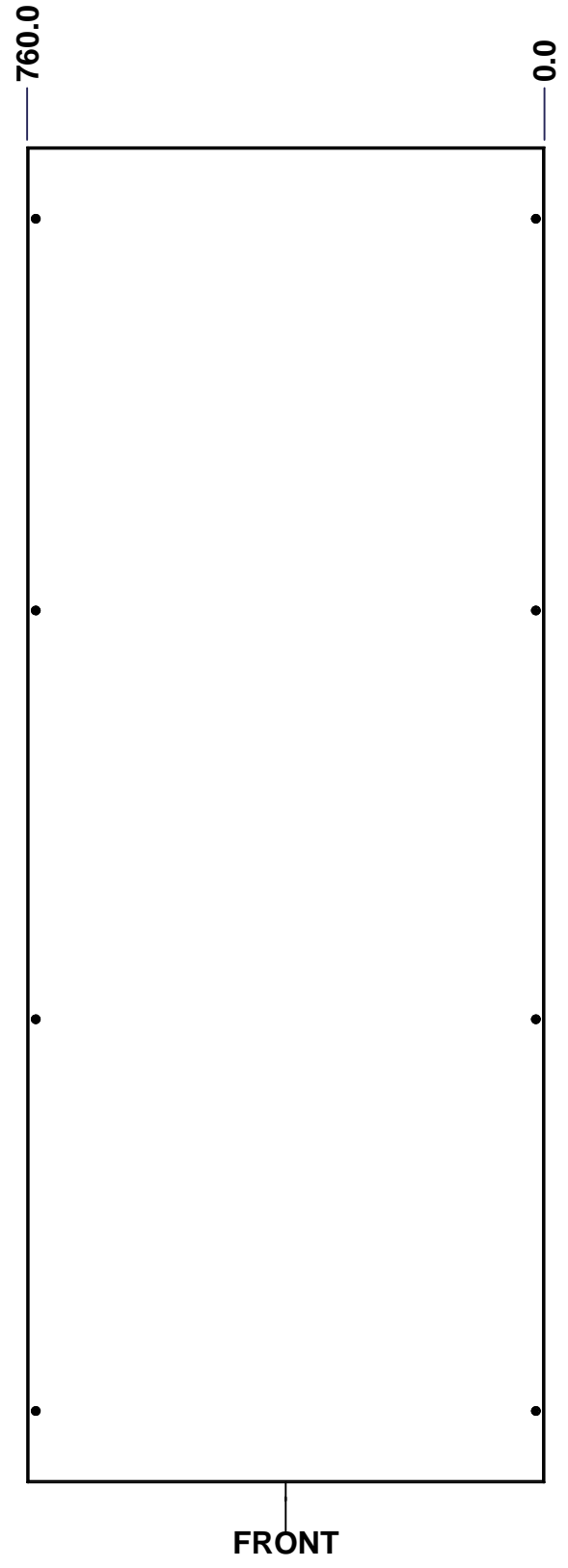
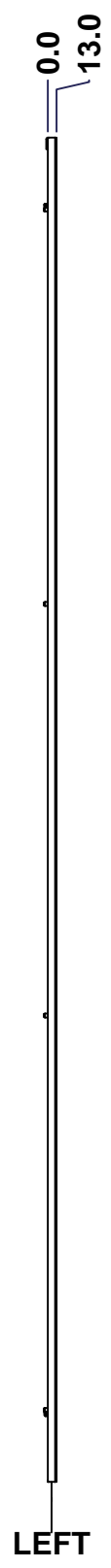
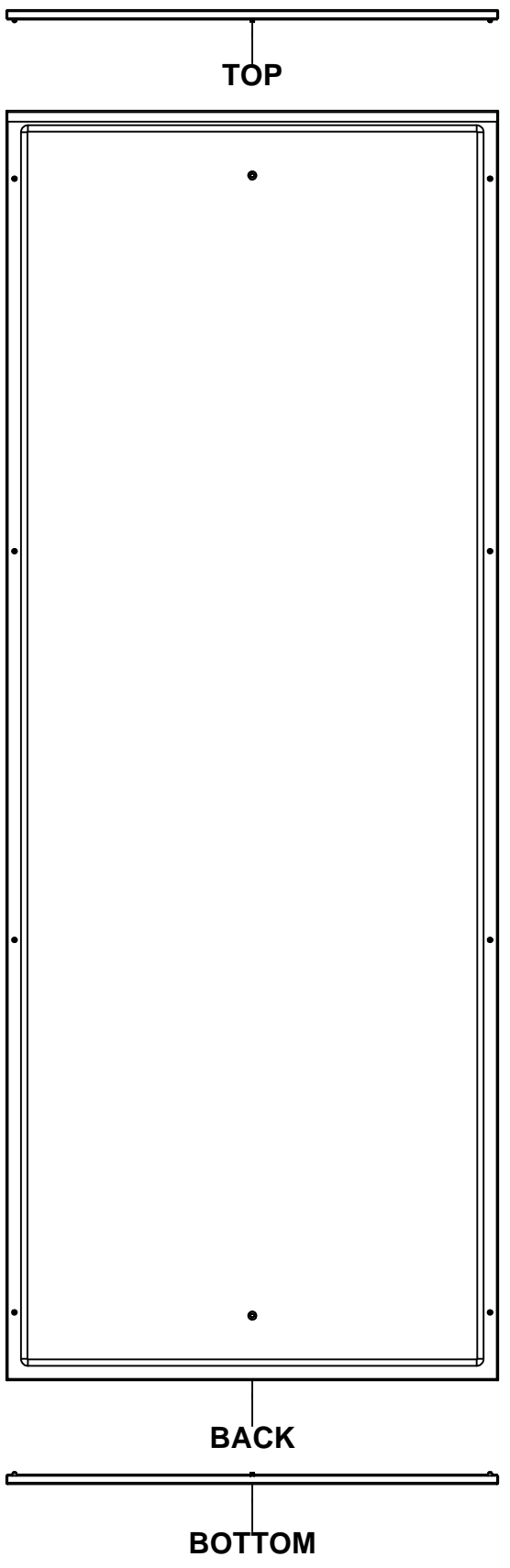


Tél: (450) 979-4373 Fax: (450) 979-4626 www.exmweb.com		Flatness Aplatissement	
		Max 3.0mm Projection	
Customer Client		Date	
Drawn By Dessiné Par		Date	
BoxCad: Annie		08/08/2014	
Material Matière			
16 Ga H.R.P. & O. (1.4mm)			
Color Couleur		Finish Fini	
Light Grey RAL7035		Rough Textured	
Description			Detail Rev.
6500 MXC 2000mm x 800mm Left			
Part Number Numéro Pièce		Rev.	3
6500MXK200908L		0	3

Qty	Part Number	Rev	Description
1	STK-P-03820R	0	Powder Paint (Light Grey / Rough Textured)
8	STK-Q-03072	2	M6 x 17mm Phillips Flat Head Screw
2	STK-Q-16080	0.1.1	M6 x 16mm Ground Stud
1	6500MXK200908LG	0	6500 MXC 2000mm x 800mm Left Gasket
1	6500MXK200908L-P	0	6500 MXC 2000mm x 800mm Left Part
Parts List			

This drawing is confidential and must not be reproduced or used without the consent of EXM

Ce dessin est confidentiel et ne doit pas être reproduit ou utilisé sans le consentement de EXM



No.	Revisions	Date	By/Par

Isometric View

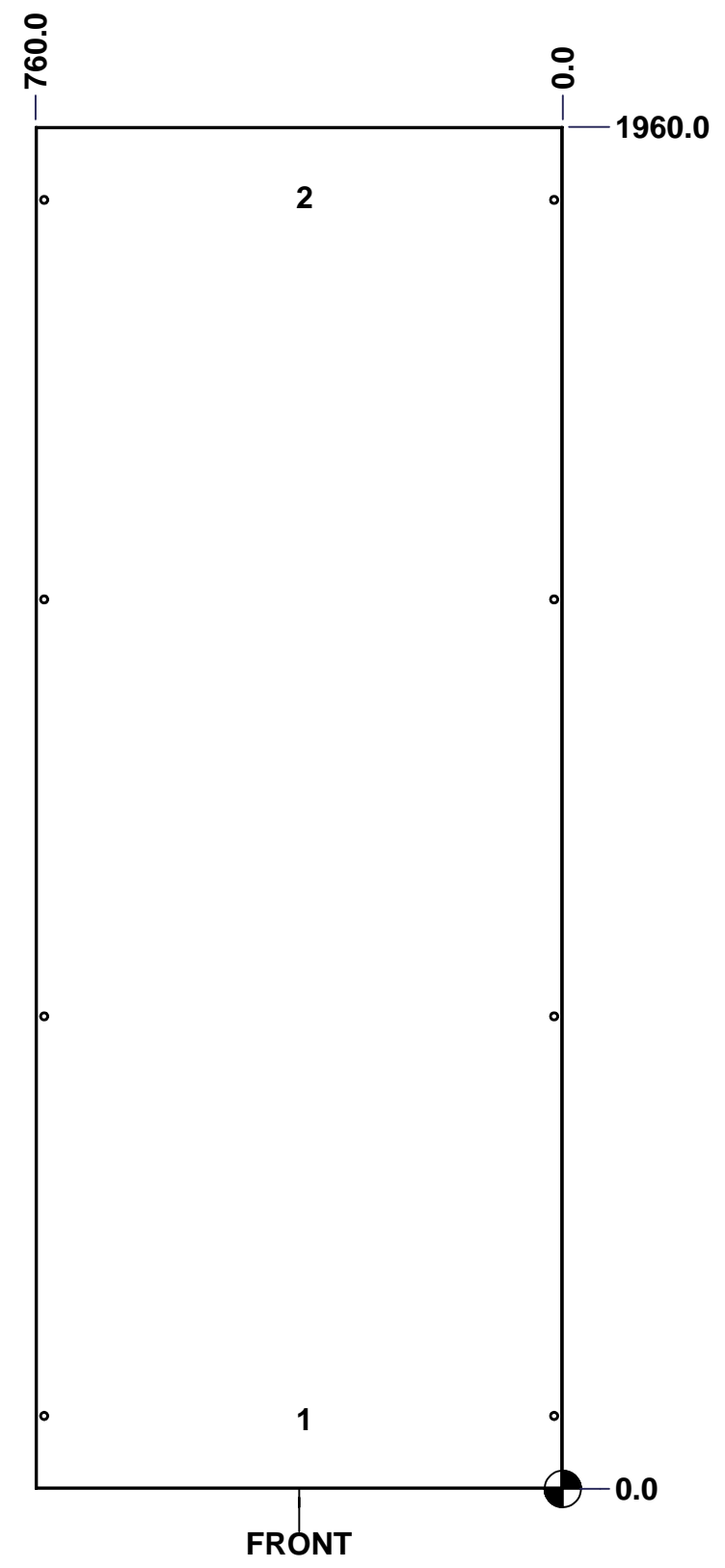
		Flatness Aplatissement Max 3.0mm Projection	
Tél: (450) 979-4373 Fax: (450) 979-4626 www.exmweb.com			
Customer Client		Date	
Drawn By / Dessiné Par: BoxCad: Annie		Date: 08/08/2014	
Material / Matière: 16 Ga H.R.P. & O. (1.4mm)		Color / Couleur: Light Grey RAL7035	
Description: 6500 MXC 2000mm x 800mm Right		Finish / Fini: Rough Textured	
Part Number / Numéro Pièce: 6500MXK200908R		Detail Rev.:	
		Rev.:	1 3

SEE BILL OF MATERIAL ON LAST PAGE

This drawing is confidential and must not be reproduced or used without the consent of EXM

Ce dessin est confidentiel et ne doit pas être reproduit ou utilisé sans le consentement de EXM

STANDARD FEATURES ARE NOT LISTED IN THIS HOLE TABLE			
HOLE TABLE - FRONT VIEW (CUSTOM FEATURE ONLY)			
CUT-OUT	XDIM	YDIM	DESCRIPTION
1	380.0	100.0	GND STUD M6 x 16mm (Inside)
2	380.0	1860.0	GND STUD M6 x 16mm (Inside)

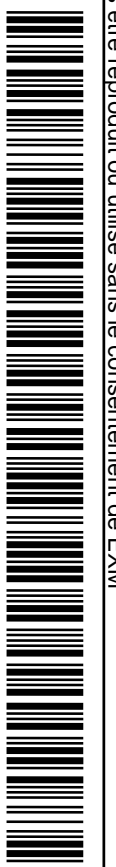
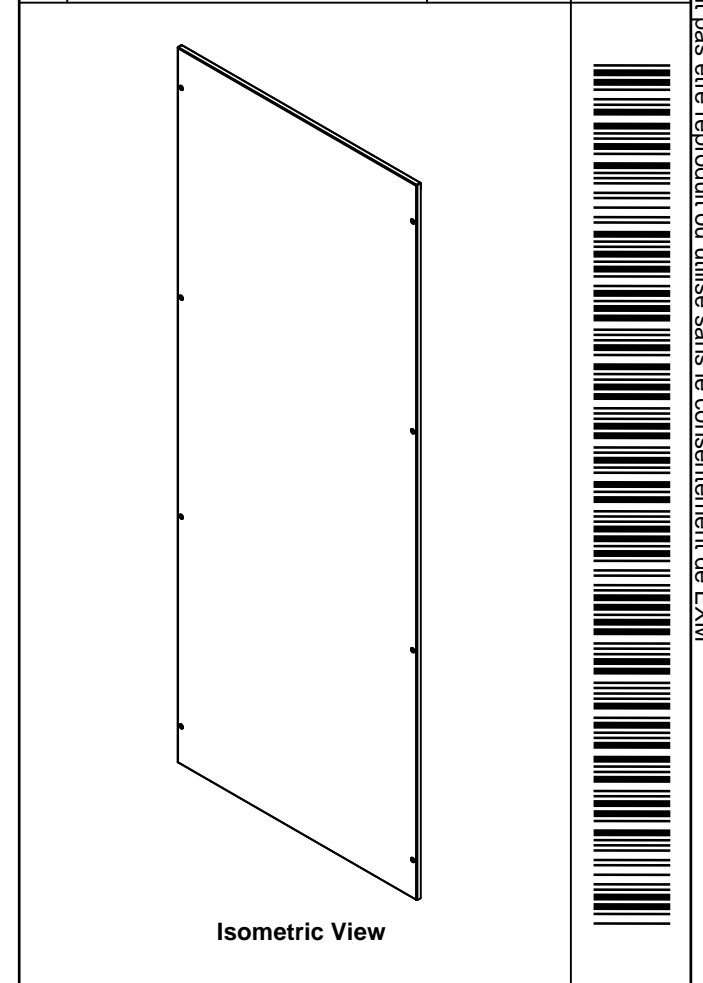



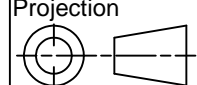
	Description	Status	
	6500 MXC 2000mm x 800mm Right	(NULL)	
	Part Number Numéro Pièce	Rev.	
	6500MXK200908R	0	2 / 3

This drawing is confidential and must not be reproduced or used without the consent of EXM

Ce dessin est confidentiel et ne doit pas être reproduit ou utilisé sans le consentement de EXM

No.	Revisions	Date	By/Par

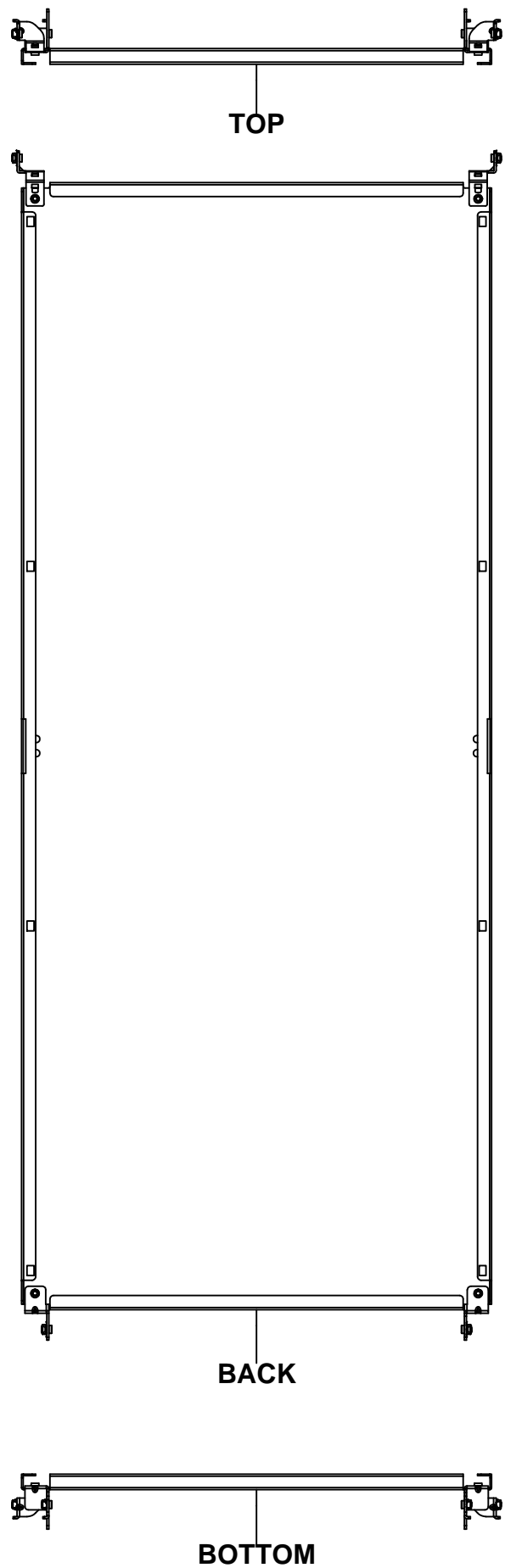


 Tél: (450) 979-4373 Fax: (450) 979-4626 www.exmweb.com		Flatness Aplatissement Max 3.0mm Projection 
Customer Client	Date	
Drawn By Dessiné Par	BoxCad: Annie	Date 08/08/2014
Material Matière 16 Ga H.R.P. & O. (1.4mm)		
Color Couleur	Light Grey RAL7035	Finish Fini Rough Textured
Description 6500 MXC 2000mm x 800mm Right		Detail Rev.
Part Number Numéro Pièce 6500MXK200908R		Rev. 3 0

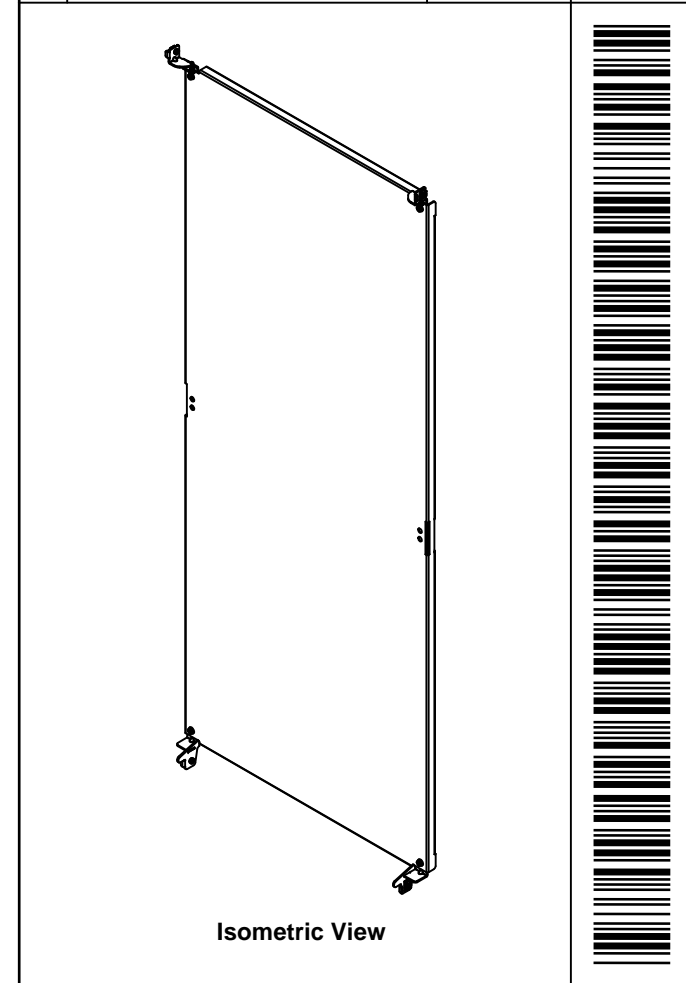
Qty	Part Number	Rev	Description
1	STK-P-03820R	0	Powder Paint (Light Grey / Rough Textured)
8	STK-Q-03072	2	M6 x 17mm Phillips Flat Head Screw
2	STK-Q-16080	0.1.1	M6 x 16mm Ground Stud
1	6500MXK200908RG	0	6500 MXC 2000mm x 800mm Right Gasket
1	6500MXK200908R-P	0	6500 MXC 2000mm x 800mm Right Part
Parts List			


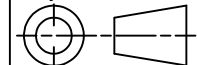
This drawing is confidential and must not be reproduced or used without the consent of EXM

Ce dessin est confidentiel et ne doit pas être reproduit ou utilisé sans le consentement de EXM



No.	Revisions	Date	By/Par



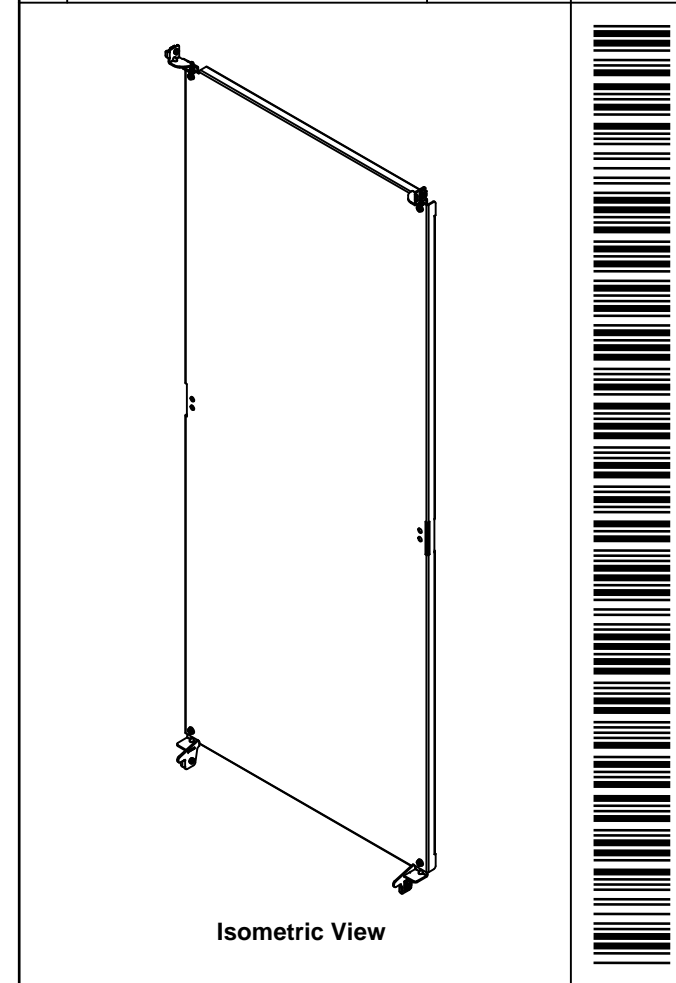
 Tél: (450) 979-4373 Fax: (450) 979-4626 www.exmweb.com		Flatness Aplatissement Max 3.0mm Projection 
Customer Client	Date	
Drawn By Dessiné Par	BoxCad: Annie	Date 08/08/2014
Material Matière	12 Ga Galvanized (2.5mm)	
Color Couleur	Unpainted	Finish Fini Unpainted
Description	Detail Rev.	
6500 MXM 2000mm x 900mm Back Inner Panel		
Part Number Numéro Pièce	Rev.	1
6500MXK200908BIP	0	3


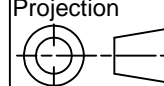
SEE BILL OF MATERIAL ON LAST PAGE

This drawing is confidential and must not be reproduced or used without the consent of EXM

Ce dessin est confidentiel et ne doit pas être reproduit ou utilisé sans le consentement de EXM

No.	Revisions	Date	By/Par



 Tél: (450) 979-4373 Fax: (450) 979-4626 www.exmweb.com		Flatness Aplatissement Max 3.0mm Projection 
Customer Client	Date	
Drawn By Dessiné Par	BoxCad: Annie	Date 08/08/2014
Material Matière	12 Ga Galvanized (2.5mm)	
Color Couleur	Unpainted	Finish Fini Unpainted
Description 6500 MXM 2000mm x 900mm Back Inner Panel		Detail Rev.
Part Number Numéro Pièce	6500MXK200908BIP	Rev. 3
		0

Qty	Part Number	Rev	Description
1	STK-A-49005	0	6500MXM - Bottom Inner Panel Support Kit (Right)
1	STK-A-49000	0	6500MXM - Bottom Inner Panel Support Kit (Left)
1	STK-A-49015	0	6500MXM - Top Inner Panel Support Kit (Right)
1	STK-A-49010	0	6500MXM - Top Inner Panel Support Kit (Left)
1	6500MXK200908BIP-P	0	6500 MXM 2000mm x 900mm Back Inner Panel Part
Parts List			