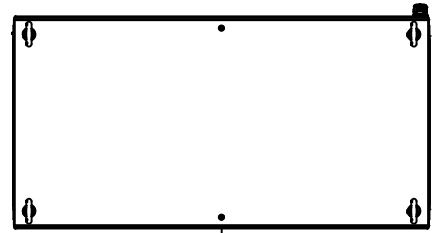
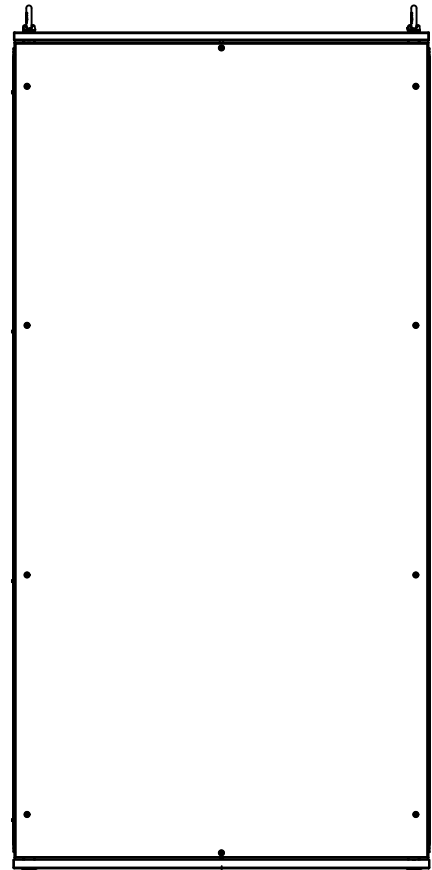


This drawing is confidential and must not be reproduced or used without the consent of EXM

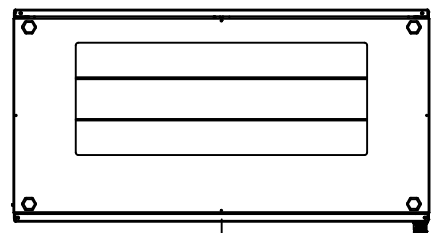
Ce dessin est confidentiel et ne doit pas être reproduit ou utilisé sans le consentement de EXM



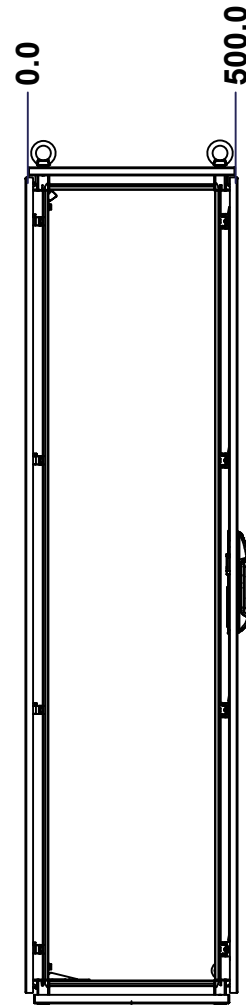
TOP



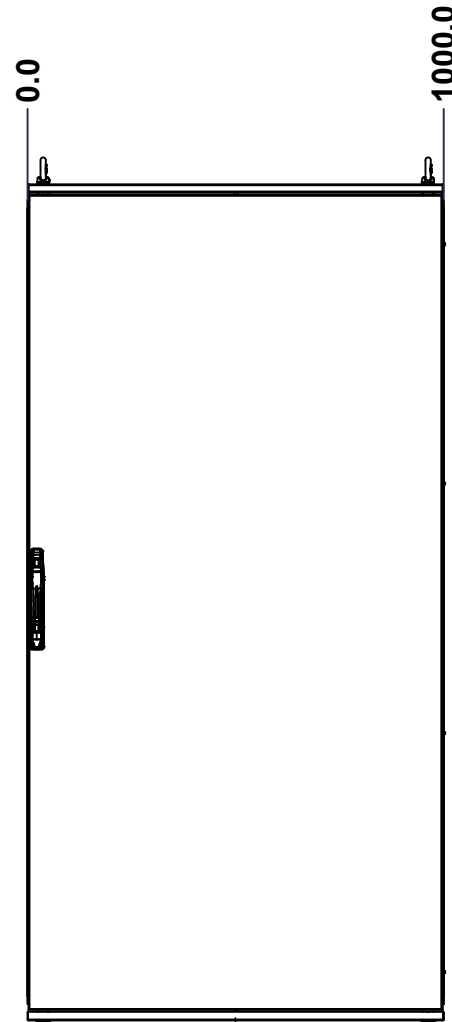
BACK



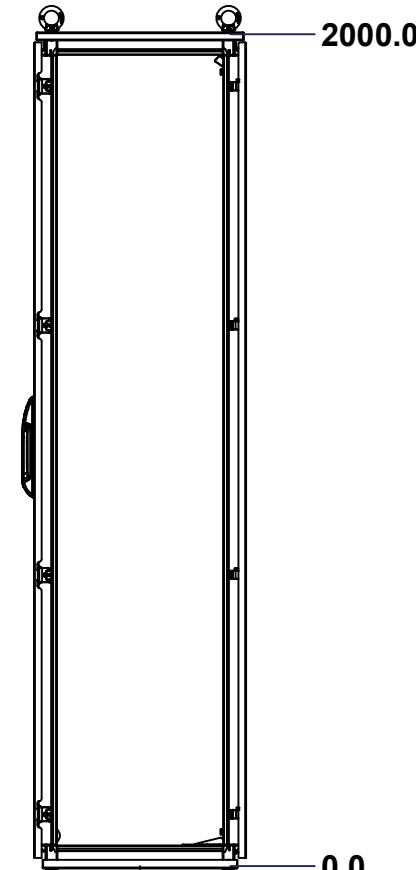
BOTTOM



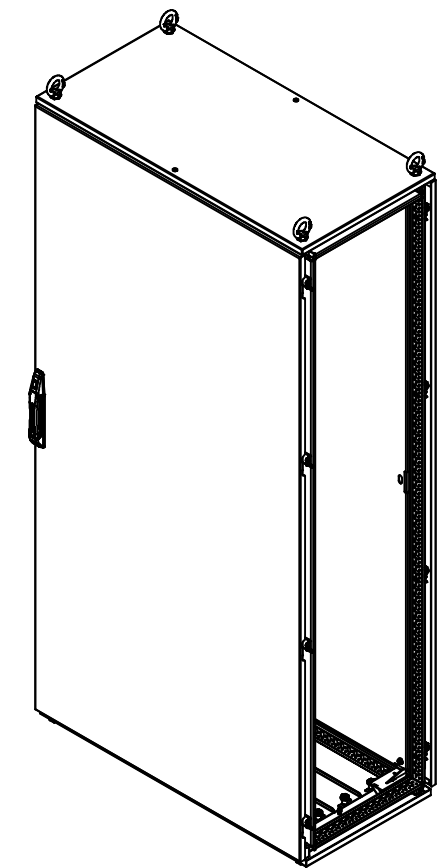
LEFT



FRONT




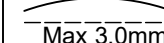
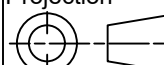
RIGHT



Isometric View



No.	Revisions	Date	By/Par

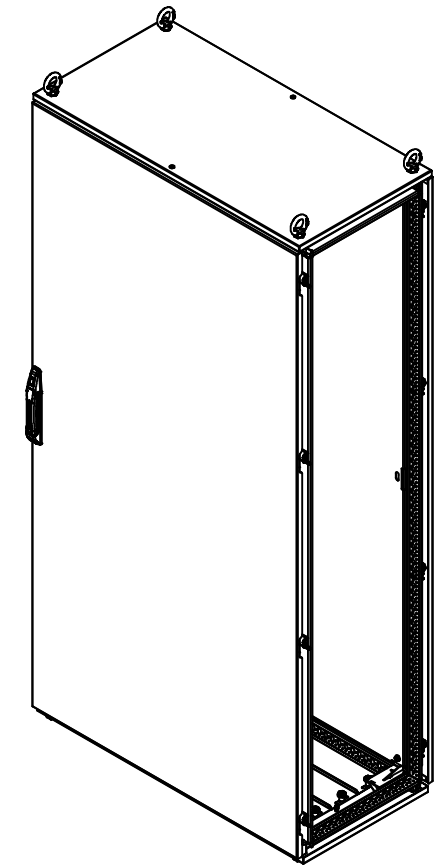
 Tél: (450) 979-4373 Fax: (450) 979-4626 <a href="http://www.exmweb.com">www.exmweb.com</a>		Flatness Aplatissement  Max 3.0mm Projection 
Customer Client		Date
Drawn By Dessiné Par	BoxCad: BoxCad	Date 03-Mar-15
Material Matière	See Part List	
Color Couleur	See Part List	Finish Fini See Part List
Description	Detail Rev.	
6500MX 2000mm x 1000mm x 500mm Assembly		
Part Number Numéro Pièce	Rev.	1
<b>6500MXK201005</b>	<b>0</b>	18

SEE BILL OF MATERIAL ON LAST PAGE

This drawing is confidential and must not be reproduced or used without the consent of EXM

Ce dessin est confidentiel et ne doit pas être reproduit ou utilisé sans le consentement de EXM

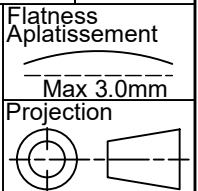
No.	Revisions	Date	By/Par



Isometric View



Tél: (450) 979-4373  
 Fax: (450) 979-4626  
[www.exmweb.com](http://www.exmweb.com)



Customer Client	Date
Drawn By / Dessiné Par: BoxCad: BoxCad	Date: 03-Mar-15
Material / Matière	See Part List

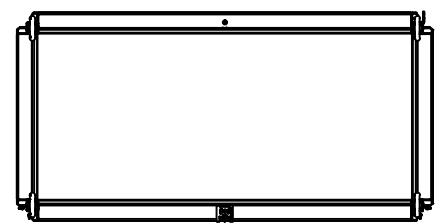
Color / Couleur	See Part List	Finish / Fini	See Part List
Description		Detail Rev.	
6500MX 2000mm x 1000mm x 500mm Assembly			

Part Number / Numéro Pièce	Rev.	2
<b>6500MXK201005</b>	<b>0</b>	18

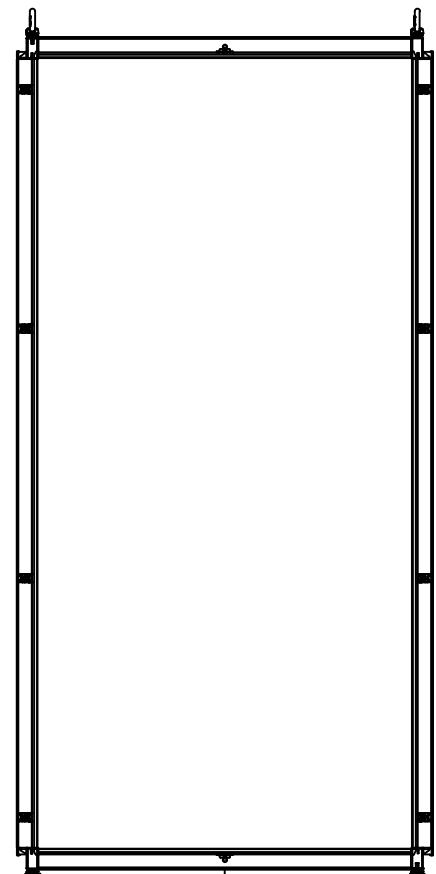
Qty	Part Number	Rev	Description
1	6500MXK201005BIP	0	6500 MXM 2000mm x 1000mm Back Inner Panel
1	6500MXK201005F	0	6500 MXD 2000mm x 1000mm Front
1	6500MXK201005B	0	6500 MXR 2000mm x 1000mm Back
1	6500MXK201005BT	0	6500 MXB 1000mm x 500mm Bottom
1	6500MXK201005T	0	6500 MXT 1000mm x 500mm Top
1	6500MXK201005FR	0	6500 MX 2000mm x 1000mm x 500mm Frame
Parts List			

This drawing is confidential and must not be reproduced or used without the consent of EXM

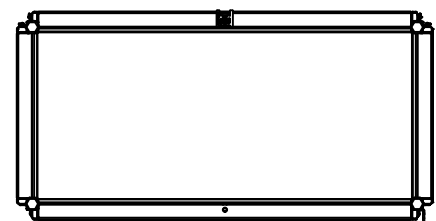
Ce dessin est confidentiel et ne doit pas être reproduit ou utilisé sans le consentement de EXM



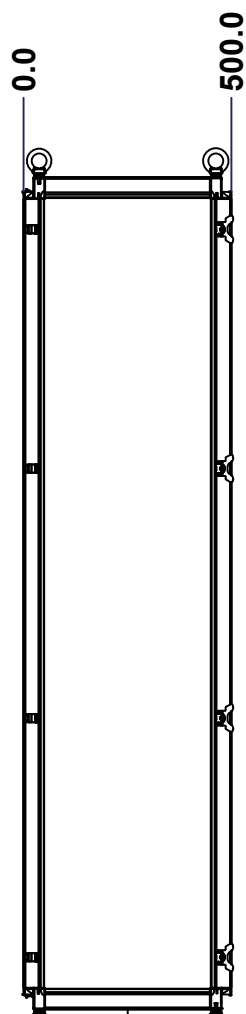
TOP



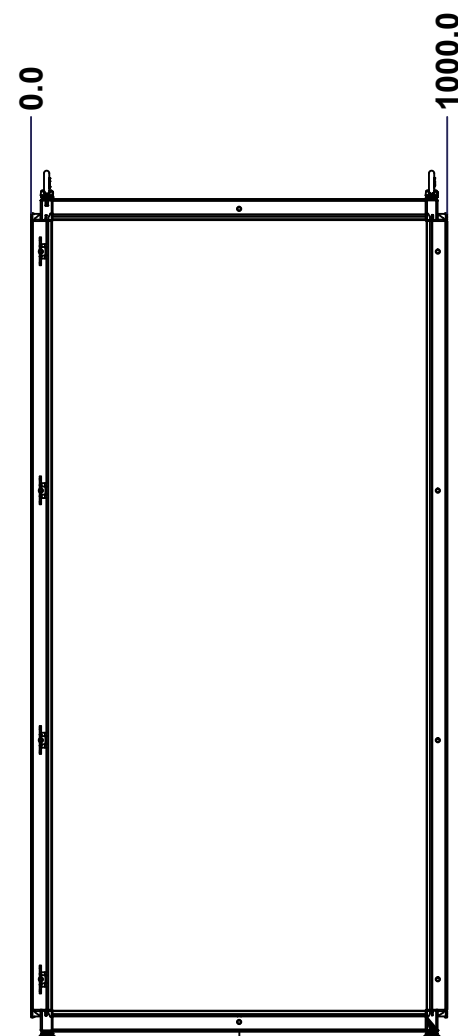
BACK



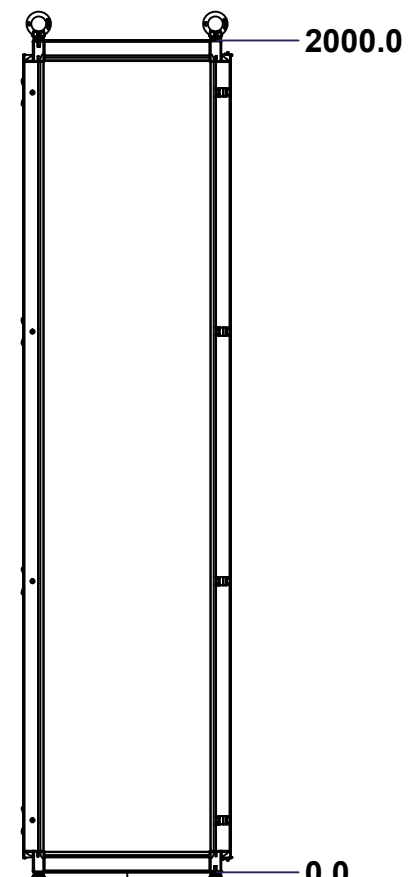
BOTTOM



LEFT



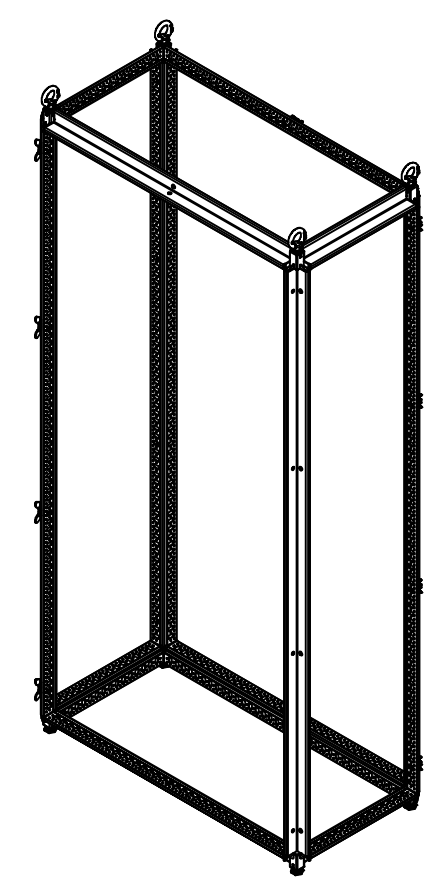
FRONT



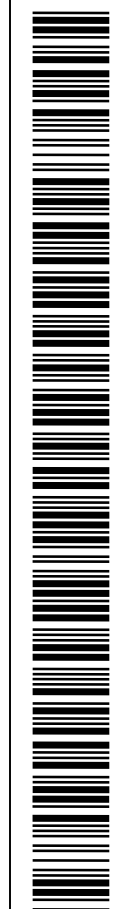
RIGHT

Grind excess weld off corner(s)

No.	Revisions	Date	By/Par



Isometric View

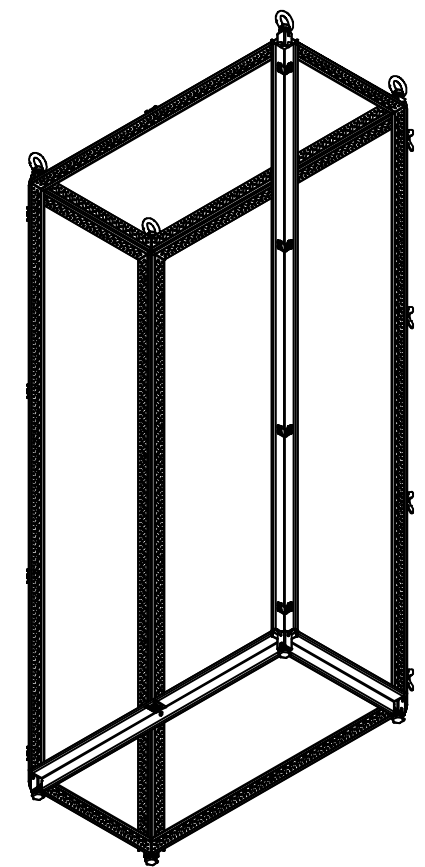


Tél: (450) 979-4373 Fax: (450) 979-4626 <a href="http://www.exmweb.com">www.exmweb.com</a>		Flatness Aplatissement Max 3.0mm Projection 	
Customer Client		Date	
Drawn By / Dessiné Par: BoxCad: BoxCad		Date: 03-Mar-15	
Material / Matière: 16 Ga Electro-Galvanized (1.4mm)			
Color / Couleur: Iron Grey RAL7011	Finish / Fini: Rough Textured	Description: 6500 MX 2000mm x 1000mm x 500mm Frame	
Part Number / Numéro Pièce: 6500MXK201005FR		Rev.:	3
SEE BILL OF MATERIAL ON LAST PAGE		0	18

This drawing is confidential and must not be reproduced or used without the consent of EXM

Ce dessin est confidentiel et ne doit pas être reproduit ou utilisé sans le consentement de EXM


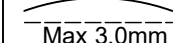
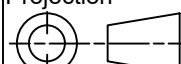
No.	Revisions	Date	By/Par



Isometric View



Qty	Part Number	Rev	Description
1	STK-P-03810R	0	Powder Paint (Iron Grey / Rough Textured)
1	STK-Q-04000	4	M6.0 x 9.5mm Truss Head Tapping Screw
2	STK-Q-70486	0	6500 MX Single Rear Panel Bracket
4	STK-Q-47250-10	6	6500 MX 1000mm Horizontal Frame Post Part
4	STK-Q-47250-05	6	6500 MX 500mm Horizontal Frame Post Part
4	STK-A-70585	6	Fixed Bracket Assembly
21	STK-Q-77120	1	6500MX-Frame Rubber Plug
8	STK-A-70580	4	Mtrx Bracket
8	STK-Q-00610	3	M16 x 30.0mm Bolt
8	STK-A-49448	6	6500 MX - Frame Sheet Metal Corner Assembly
4	STK-Q-49500	3	M12 Eye Bolt (0.34T)
4	STK-Q-61110	0	M12 Feet Leveler
4	STK-Q-47251-20	6	6500 MX 2000mm Vertical Frame Post Part

 Tél: (450) 979-4373 Fax: (450) 979-4626 <a href="http://www.exmweb.com">www.exmweb.com</a>		Flatness Aplatissement  Max 3.0mm Projection 
Customer Client	Date	
Drawn By Dessiné Par	BoxCad: BoxCad	Date 03-Mar-15
Material Matière	16 Ga Electro-Galvanized (1.4mm)	
Color Couleur	Iron Grey RAL7011	Finish Fini Rough Textured
Description	6500 MX 2000mm x 1000mm x 500mm Frame	
Part Number Numéro Pièce	Rev. 0	4 / 18

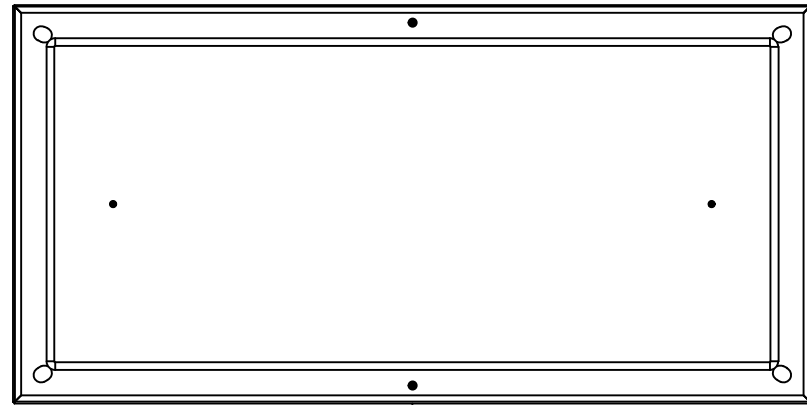
Parts List

This drawing is confidential and must not be reproduced or used without the consent of EXM

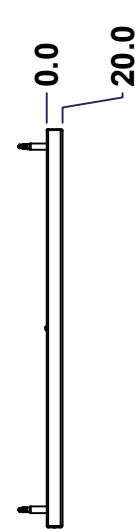
Ce dessin est confidentiel et ne doit pas être reproduit ou utilisé sans le consentement de EXM



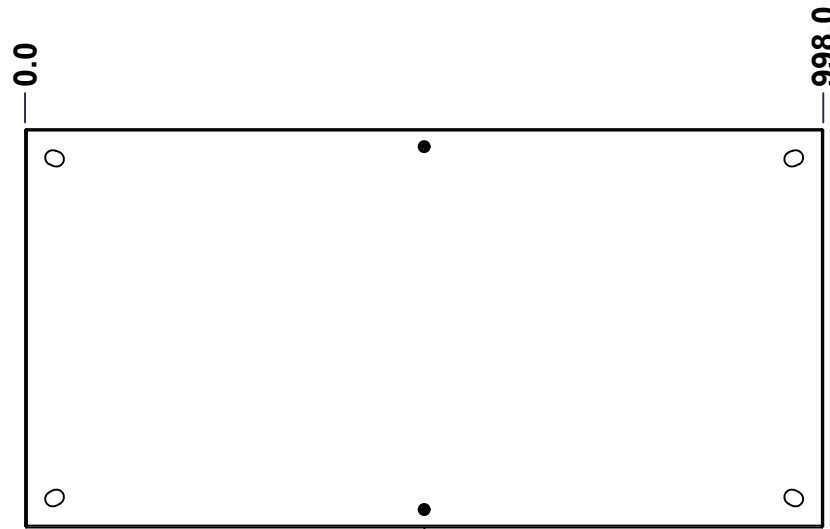
TOP



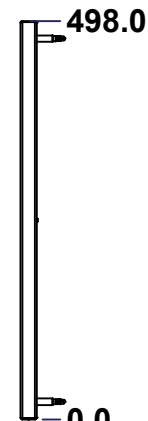
BACK



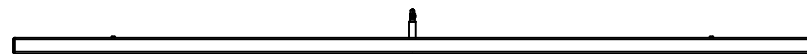
LEFT



FRONT

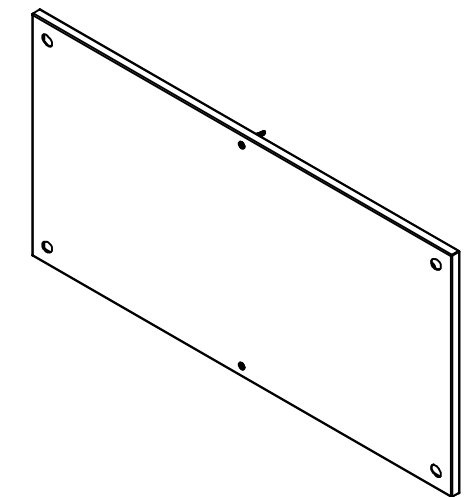


RIGHT



BOTTOM

No.	Revisions	Date	By/Par



Isometric View

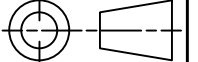


Tél: (450) 979-4373  
 Fax: (450) 979-4626  
[www.exmweb.com](http://www.exmweb.com)

Flatness  
Aplatissement

Max 3.0mm

Projection



Customer Client	Date
Drawn By / Dessiné Par: BoxCad: BoxCad	Date: 03-Mar-15
Material Matière: 16 Ga Cold Rolled A1008 CS Type B	

Color Couleur: Iron Grey RAL7011	Finish Fini: Rough Textured
----------------------------------	-----------------------------

Description: 6500 MXT 1000mm x 500mm Top	Detail Rev.
--	-------------

Part Number / Numéro Pièce: 6500MXK201005T	Rev. 0	5	18
--	--------	---	----

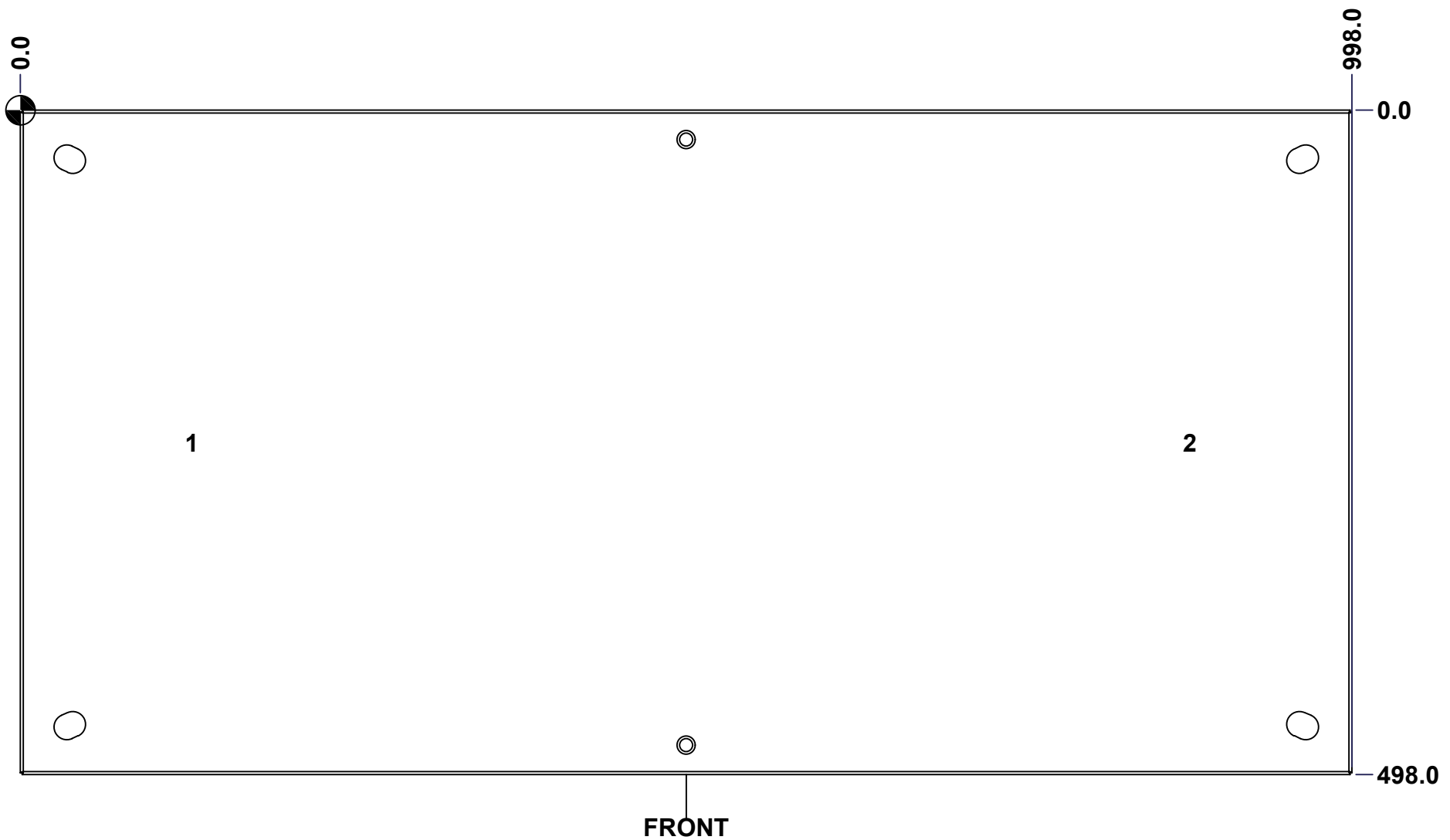
Use gasket program path 6500 MX > 6500 MXT

SEE BILL OF MATERIAL ON LAST PAGE

This drawing is confidential and must not be reproduced or used without the consent of EXM

Ce dessin est confidentiel et ne doit pas être reproduit ou utilisé sans le consentement de EXM

STANDARD FEATURES ARE NOT LISTED IN THIS HOLE TABLE			
HOLE TABLE - FRONT VIEW (CUSTOM FEATURE ONLY)			
CUT-OUT	XDIM	YDIM	DESCRIPTION
1	125.0	249.0	GND STUD M6 x 18mm (Inside)
2	873.0	249.0	GND STUD M6 x 18mm (Inside)



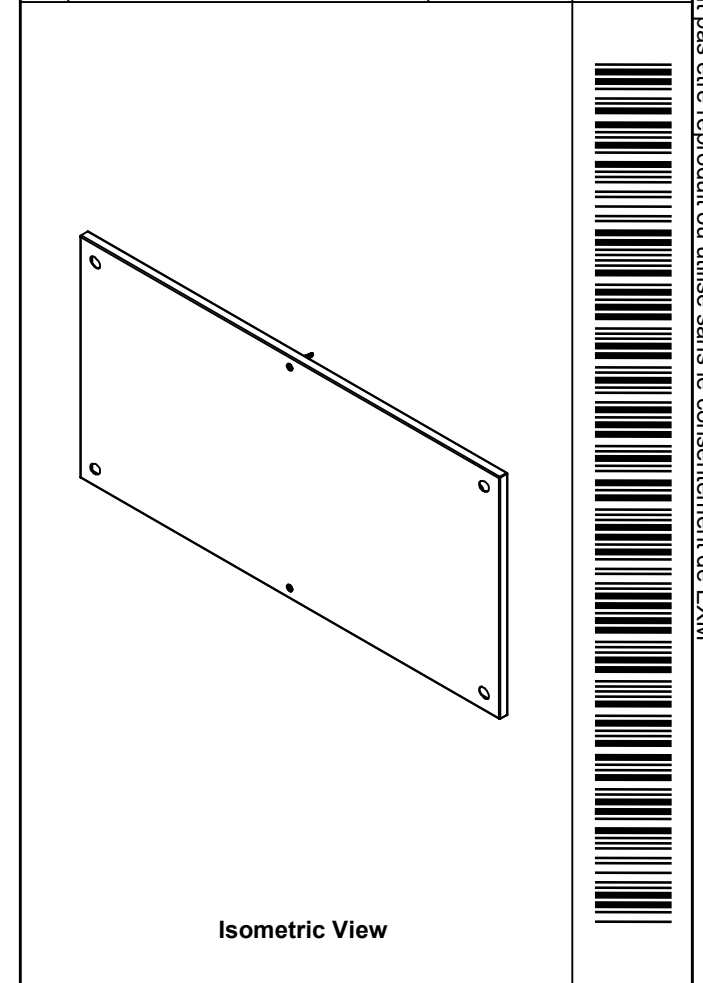
Use bending program path 6500 MX > 6500 MXT


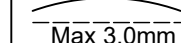
	Description	Status
	6500 MXT 1000mm x 500mm Top	(NULL)
	Part Number Numéro Pièce	Rev.
	<b>6500MXK201005T</b>	<b>0</b> / 6
		18

This drawing is confidential and must not be reproduced or used without the consent of EXM

Ce dessin est confidentiel et ne doit pas être reproduit ou utilisé sans le consentement de EXM

No.	Revisions	Date	By/Par

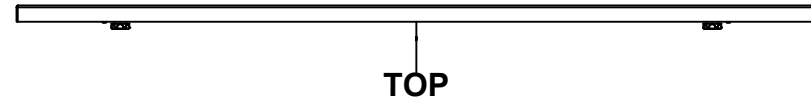


 Tél: (450) 979-4373 Fax: (450) 979-4626 <a href="http://www.exmweb.com">www.exmweb.com</a>		Flatness Aplatissement  Max 3.0mm
Customer Client		Date
Drawn By / Dessiné Par: BoxCad: BoxCad		Date: 03-Mar-15
Material / Matière: 16 Ga Cold Rolled A1008 CS Type B		
Color / Couleur: Iron Grey RAL7011	Finish / Fini: Rough Textured	
Description: 6500 MXT 1000mm x 500mm Top		Detail Rev.
Part Number / Numéro Pièce: <b>6500MXK201005T</b>		Rev. 7 0 / 18

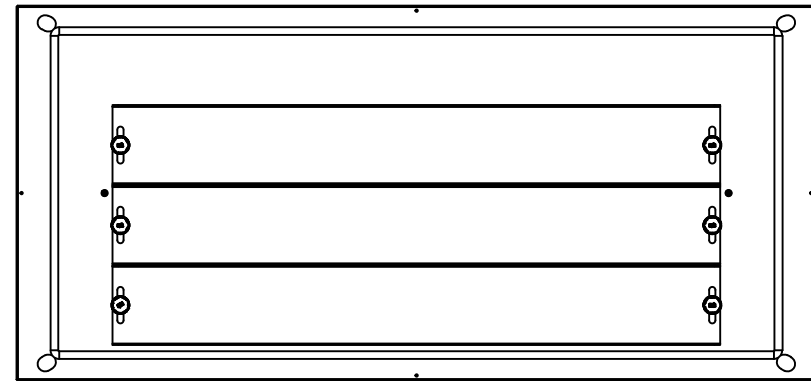
Qty	Part Number	Rev	Description
1	STK-P-03810R	0	Powder Paint (Iron Grey / Rough Textured)
2	STK-Q-16055	1	M6 x 18mm Stud (No Paint Cap Required)
2	STK-Q-90227	1	Flat Head Drilling Screw M6.3 x 56.0mm Long
1	6500MXK201005TG	0	6500 MXT 1000mm x 500mm Top Gasket
1	6500MXK201005T-P	0	6500 MXT 1000mm x 500mm Top Part
Parts List			

This drawing is confidential and must not be reproduced or used without the consent of EXM

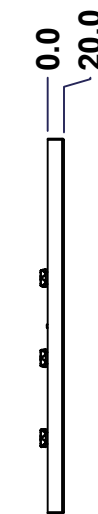
Ce dessin est confidentiel et ne doit pas être reproduit ou utilisé sans le consentement de EXM



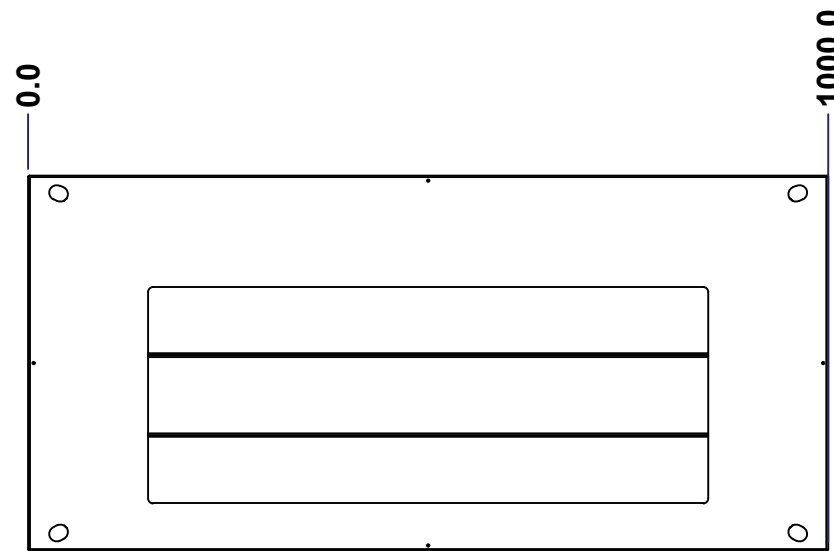
TOP



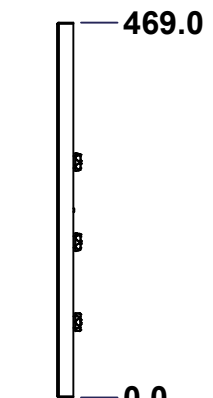
BACK



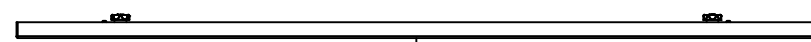
LEFT



FRONT



RIGHT



BOTTOM

No.	Revisions	Date	By/Par

**Isometric View**

Tél: (450) 979-4373 Fax: (450) 979-4626 <a href="http://www.exmweb.com">www.exmweb.com</a>		Flatness Aplatissement Max 3.0mm Projection 
Customer Client	Date	
Drawn By Dessiné Par	BoxCad: BoxCad	Date 03-Mar-15
Material Matière	16 Ga Cold Rolled A1008 CS Type B	
Color Couleur	Iron Grey RAL7011	Finish Fini Rough Textured
Description	Detail Rev.	
6500 MXB 1000mm x 500mm Bottom		
Part Number Numéro Pièce	Rev.	8
<b>6500MXK201005BT</b>	<b>0</b>	18

Use gasket program path 6500 MX > 6500MXB

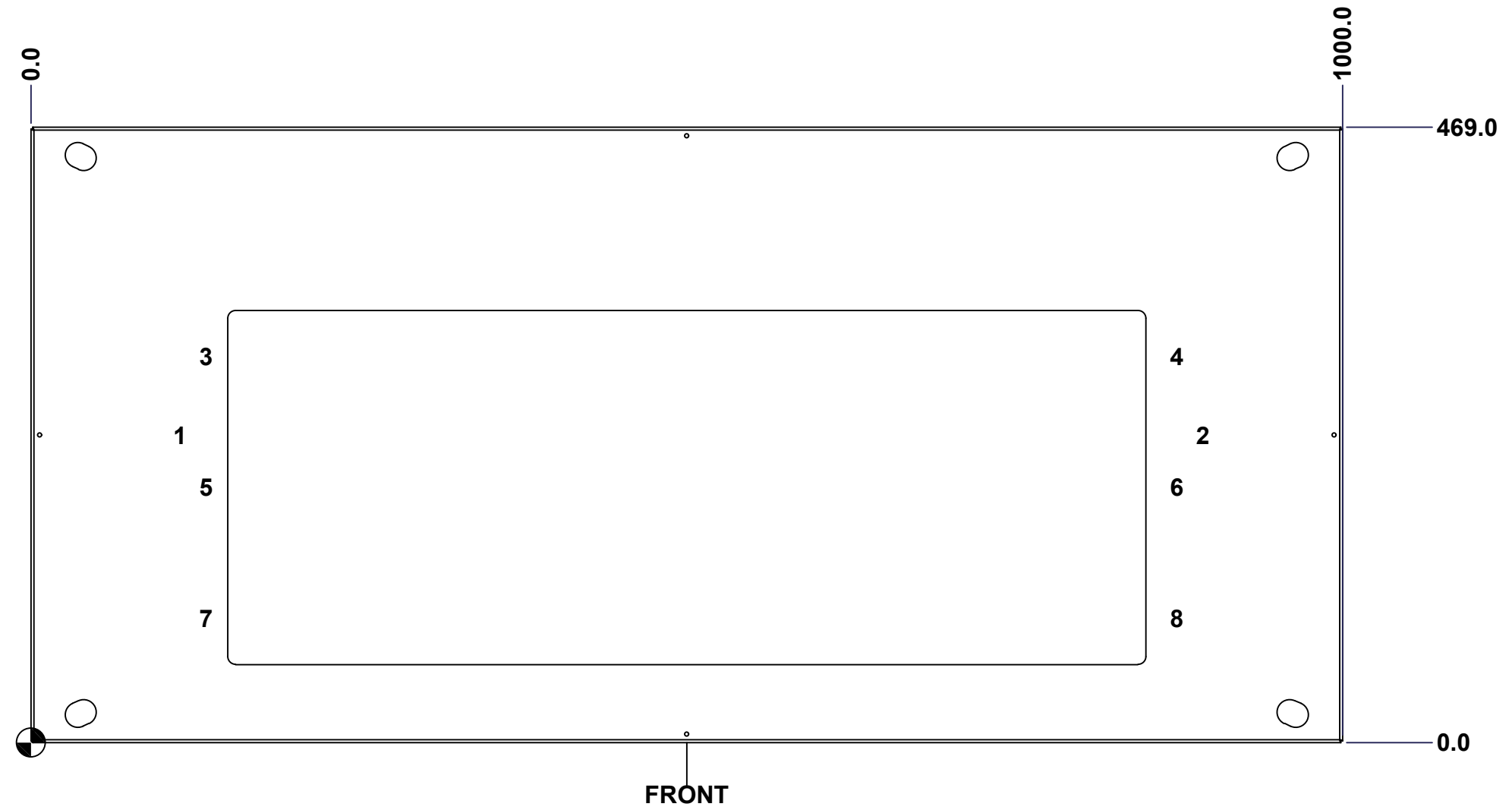
SEE BILL OF MATERIAL ON LAST PAGE



This drawing is confidential and must not be reproduced or used without the consent of EXM

Ce dessin est confidentiel et ne doit pas être reproduit ou utilisé sans le consentement de EXM

STANDARD FEATURES ARE NOT LISTED IN THIS HOLE TABLE			
HOLE TABLE - FRONT VIEW (CUSTOM FEATURE ONLY)			
CUT-OUT	XDIM	YDIM	DESCRIPTION
1	110.0	234.5	GND STUD M6 x 18mm (Inside)
2	890.0	234.5	GND STUD M6 x 18mm (Inside)
3	130.0	294.5	GP STUD M6 x 18mm (Inside)
4	870.0	294.5	GP STUD M6 x 18mm (Inside)
5	130.0	194.5	GP STUD M6 x 18mm (Inside)
6	870.0	194.5	GP STUD M6 x 18mm (Inside)
7	130.0	94.5	GP STUD M6 x 18mm (Inside)
8	870.0	94.5	GP STUD M6 x 18mm (Inside)



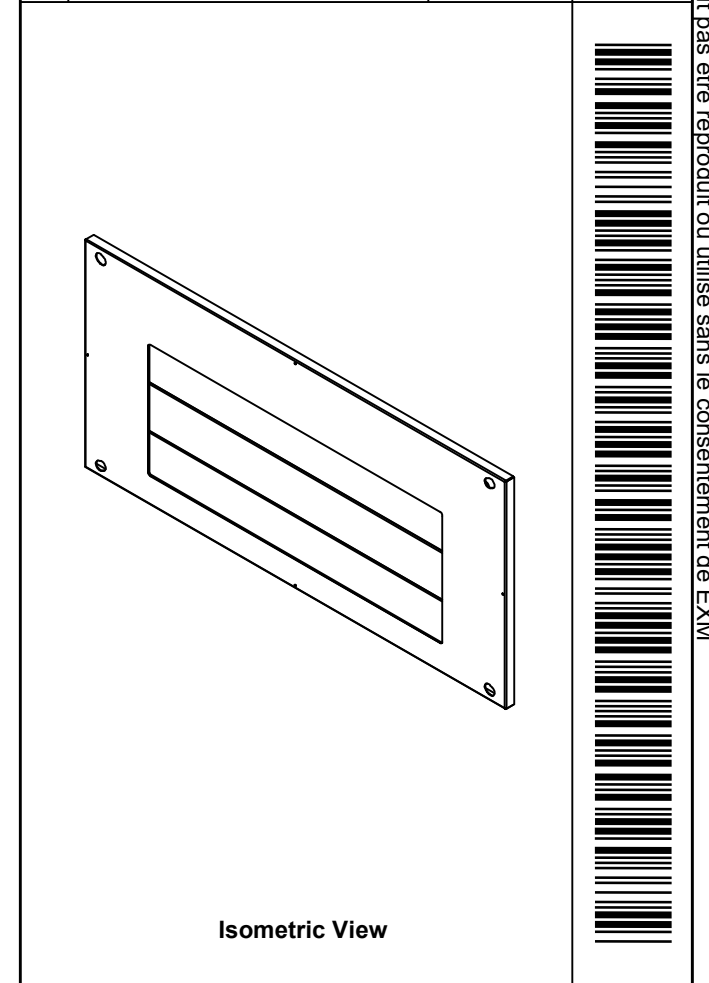
Use bending program path 6500 MX > 6500MXB

	Description	Status
	6500 MXB 1000mm x 500mm Bottom	(NULL)
	Part Number Numéro Pièce	Rev.
	<b>6500MXK201005BT</b>	<b>0</b> / 9
		18

This drawing is confidential and must not be reproduced or used without the consent of EXM

Ce dessin est confidentiel et ne doit pas être reproduit ou utilisé sans le consentement de EXM

No.	Revisions	Date	By/Par



	Tél: (450) 979-4373 Fax: (450) 979-4626 <a href="http://www.exmweb.com">www.exmweb.com</a>	Flatness Aplatissement
		Max 3.0mm
		Projection
		

Customer Client	Date
Drawn By / Dessiné Par: BoxCad: BoxCad	Date: 03-Mar-15

Material / Matière: 16 Ga Cold Rolled A1008 CS Type B

Color / Couleur: Iron Grey RAL7011	Finish / Fini: Rough Textured
------------------------------------	-------------------------------

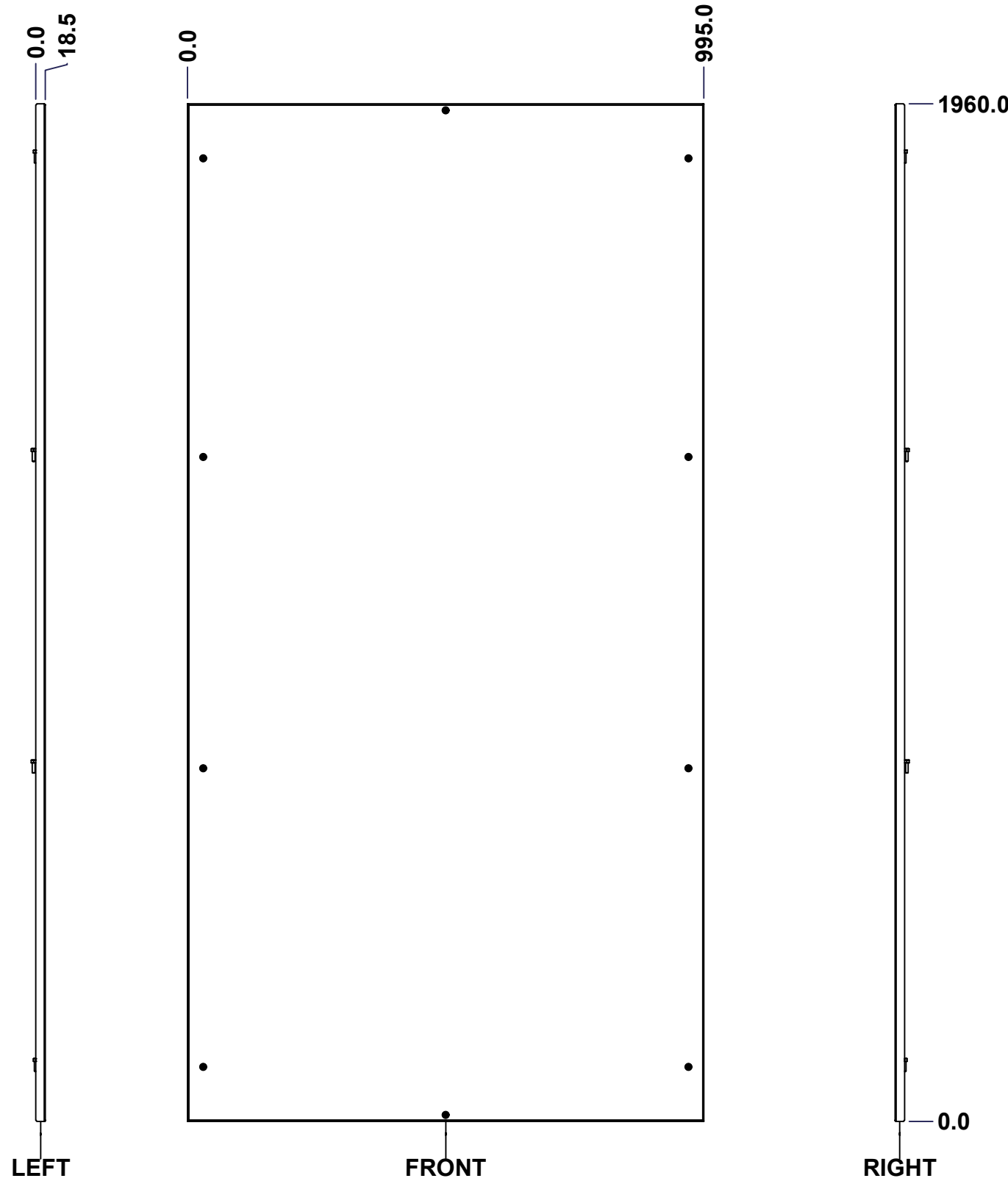
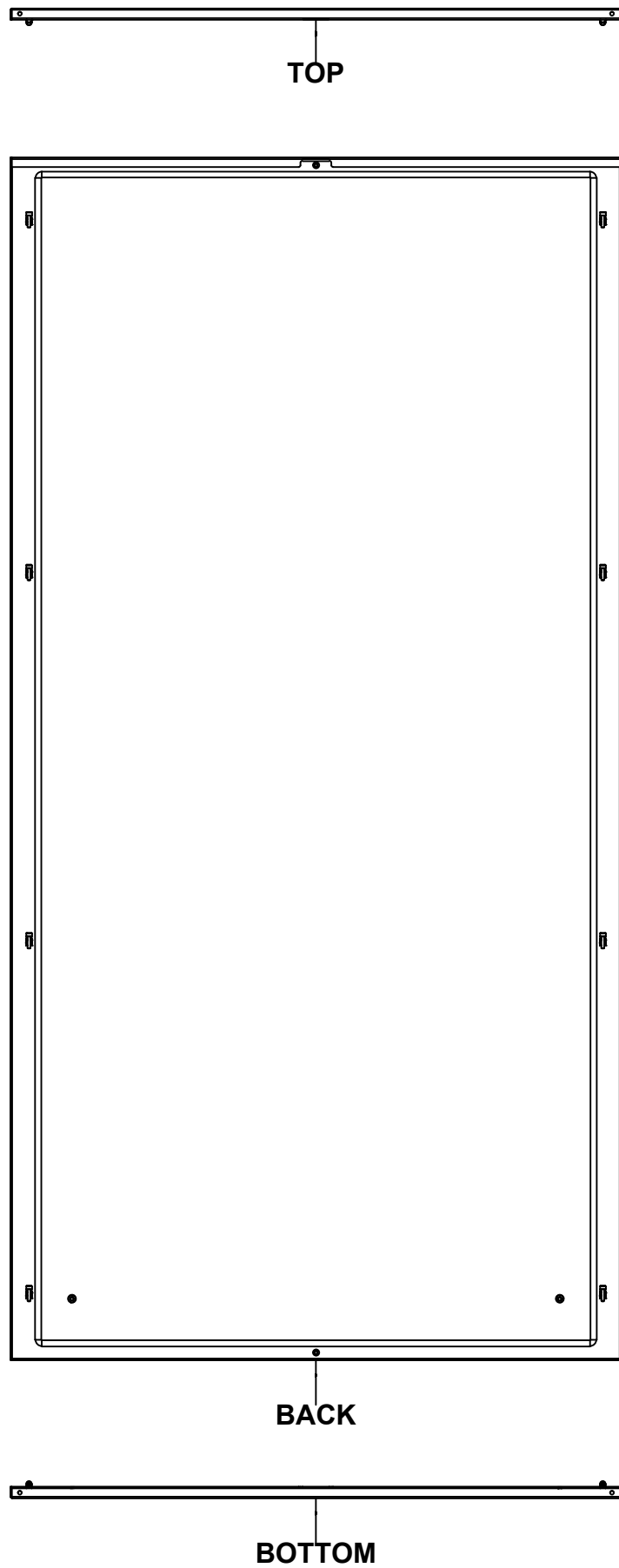
Description: 6500 MXB 1000mm x 500mm Bottom

Part Number / Numéro Pièce: <b>6500MXK201005BT</b>	Rev. / Révis: <b>0</b>	10 / 18
--	------------------------	---------

Qty	Part Number	Rev	Description
1	STK-P-03810R	0	Powder Paint (Iron Grey / Rough Textured)
6	STK-Q-06001	0	Mtrx - Gland Plate M6 Plastic Thumb Nut
8	STK-Q-16055	1	M6 x 18mm Stud (No Paint Cap Required)
3	6500MXK201005GP100-P	0	6500 MXB 1000mm Gland Plate Part (100mm)
1	6500MXK201005BTGPG	0	6500 MXB 1000mm x 500mm Bottom Gland Plate Gasket
1	6500MXK201005BTG	0	6500 MXB 1000mm x 500mm Bottom Gasket
1	6500MXK201005BT-P	0	6500 MXB 1000mm x 500mm Bottom Part
Parts List			

This drawing is confidential and must not be reproduced or used without the consent of EXM

Ce dessin est confidentiel et ne doit pas être reproduit ou utilisé sans le consentement de EXM



No.	Revisions	Date	By/Par

**Isometric View**

<p>Tél: (450) 979-4373 Fax: (450) 979-4626 <a href="http://www.exmweb.com">www.exmweb.com</a></p>		Flatness Aplatissement	
		Max 3.0mm	
Projection			
Customer Client		Date	
Drawn By Dessiné Par		Date 03-Mar-15	
Material Matière		14 Ga Cold Rolled A1008 CS Type B	
Color Couleur		Light Grey RAL7035	Finish Fini
Description		Detail Rev.	
6500 MXR 2000mm x 1000mm Back			
Part Number Numéro Pièce		Rev.	11
6500MXK201005B		0	18

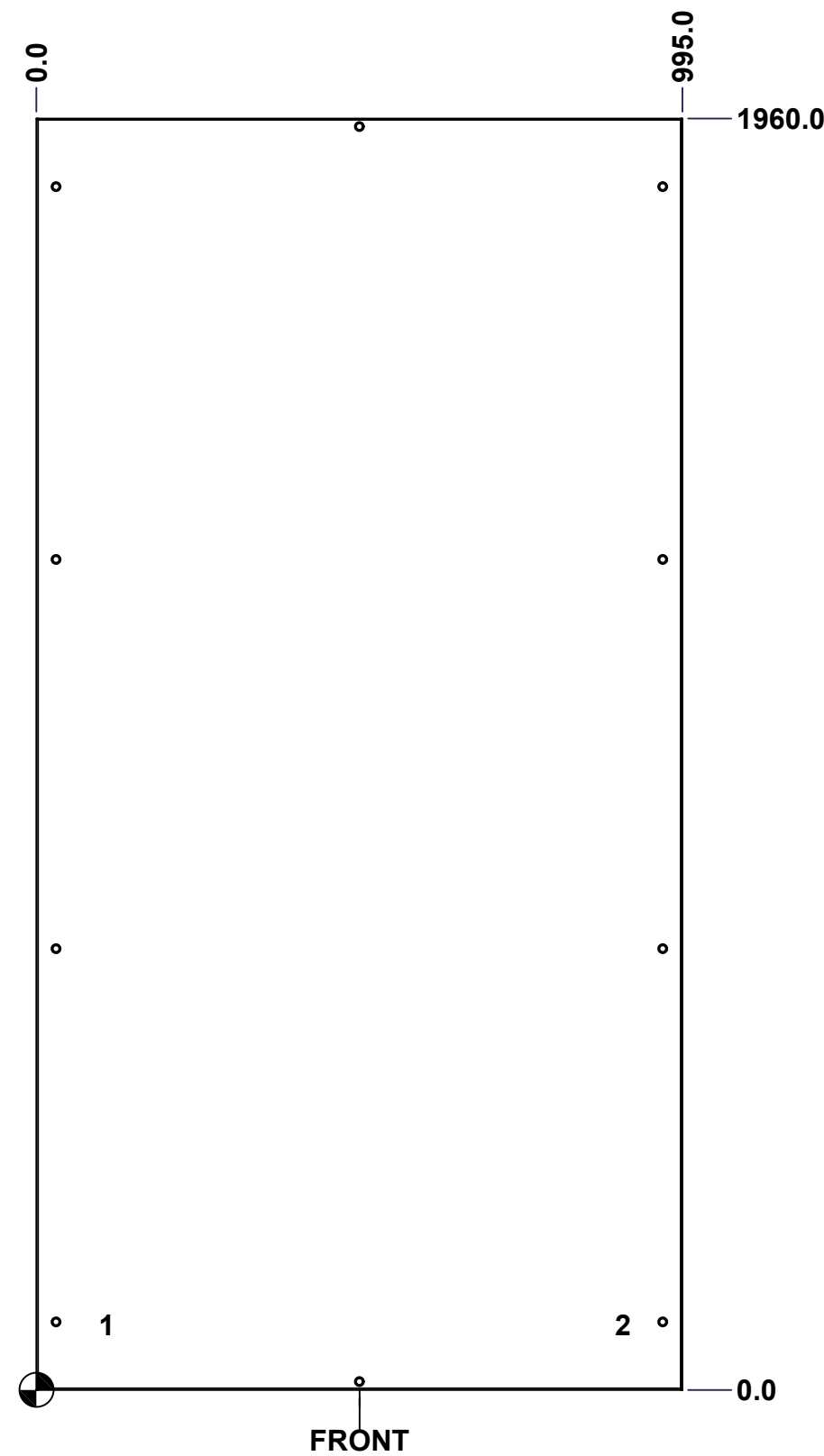
Use gasket program path 6500 MX > 6500 MXR

SEE BILL OF MATERIAL ON LAST PAGE

This drawing is confidential and must not be reproduced or used without the consent of EXM

Ce dessin est confidentiel et ne doit pas être reproduit ou utilisé sans le consentement de EXM

STANDARD FEATURES ARE NOT LISTED IN THIS HOLE TABLE			
HOLE TABLE - FRONT VIEW (CUSTOM FEATURE ONLY)			
CUT-OUT	XDIM	YDIM	DESCRIPTION
1	100.0	100.0	GND STUD M6 x 16mm (Inside)
2	895.0	100.0	GND STUD M6 x 16mm (Inside)



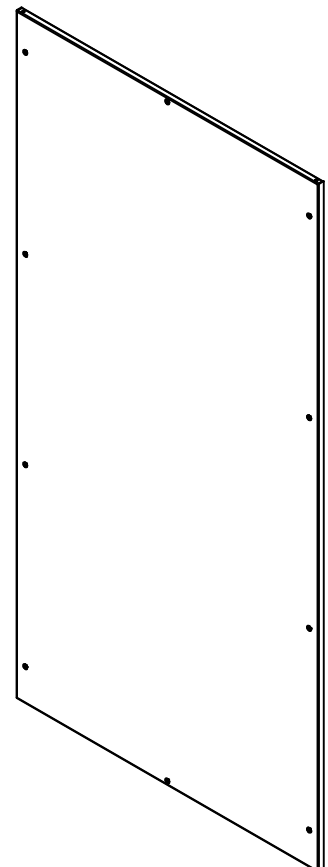
Use bending program path 6500 MX > 6500 MXR

	Description 6500 MXR 2000mm x 1000mm Back	Status (NULL)
	Part Number Numéro Pièce <b>6500MXK201005B</b>	Rev. 0

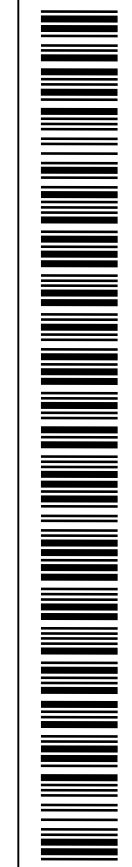
This drawing is confidential and must not be reproduced or used without the consent of EXM


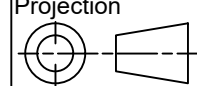
Ce dessin est confidentiel et ne doit pas être reproduit ou utilisé sans le consentement de EXM

No.	Revisions	Date	By/Par



**Isometric View**

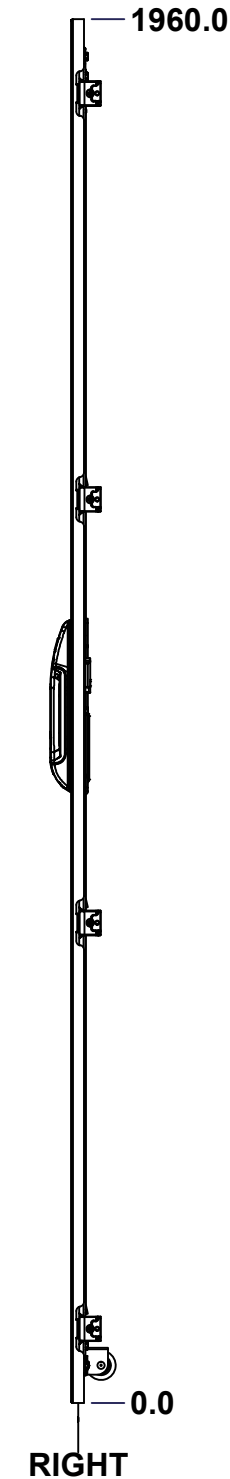
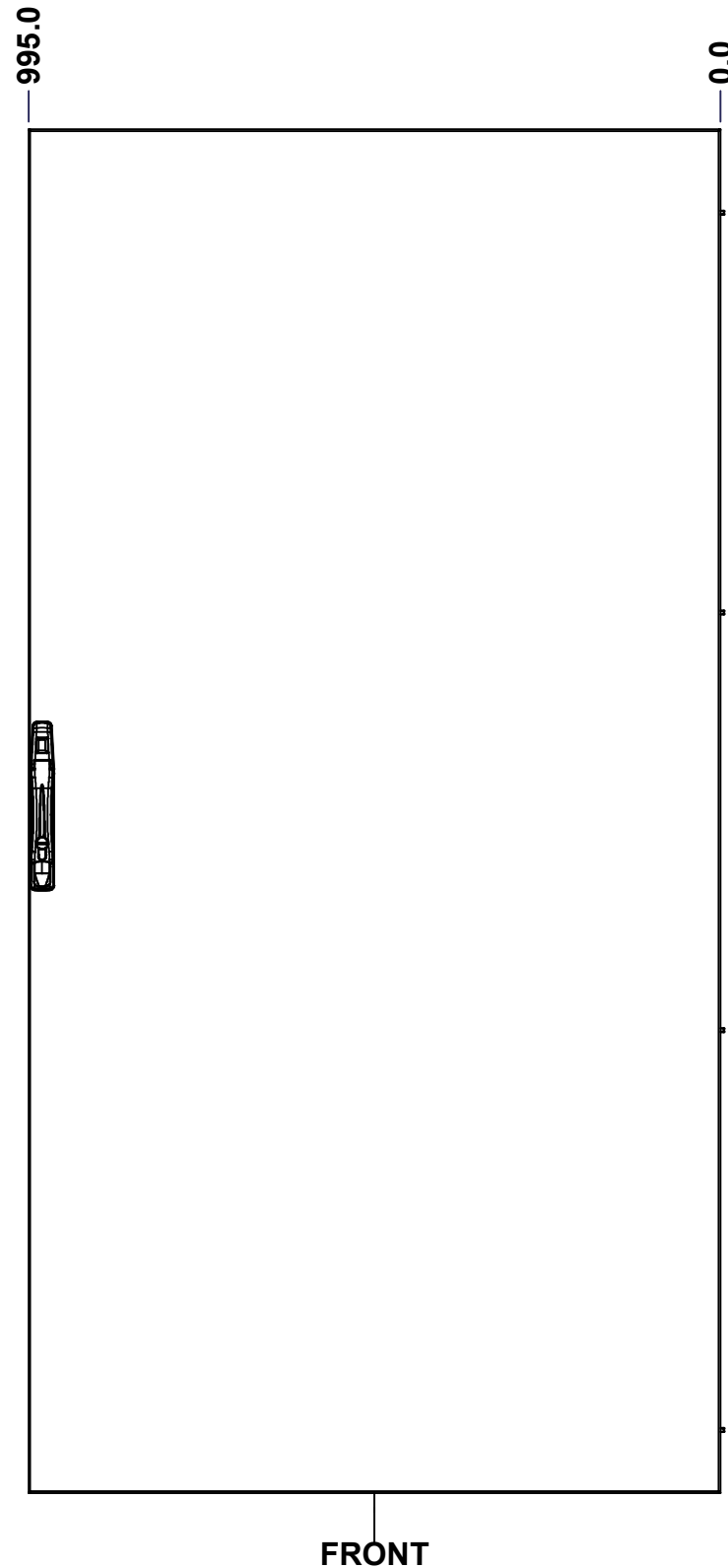
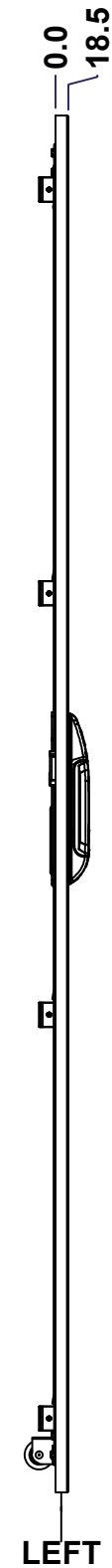
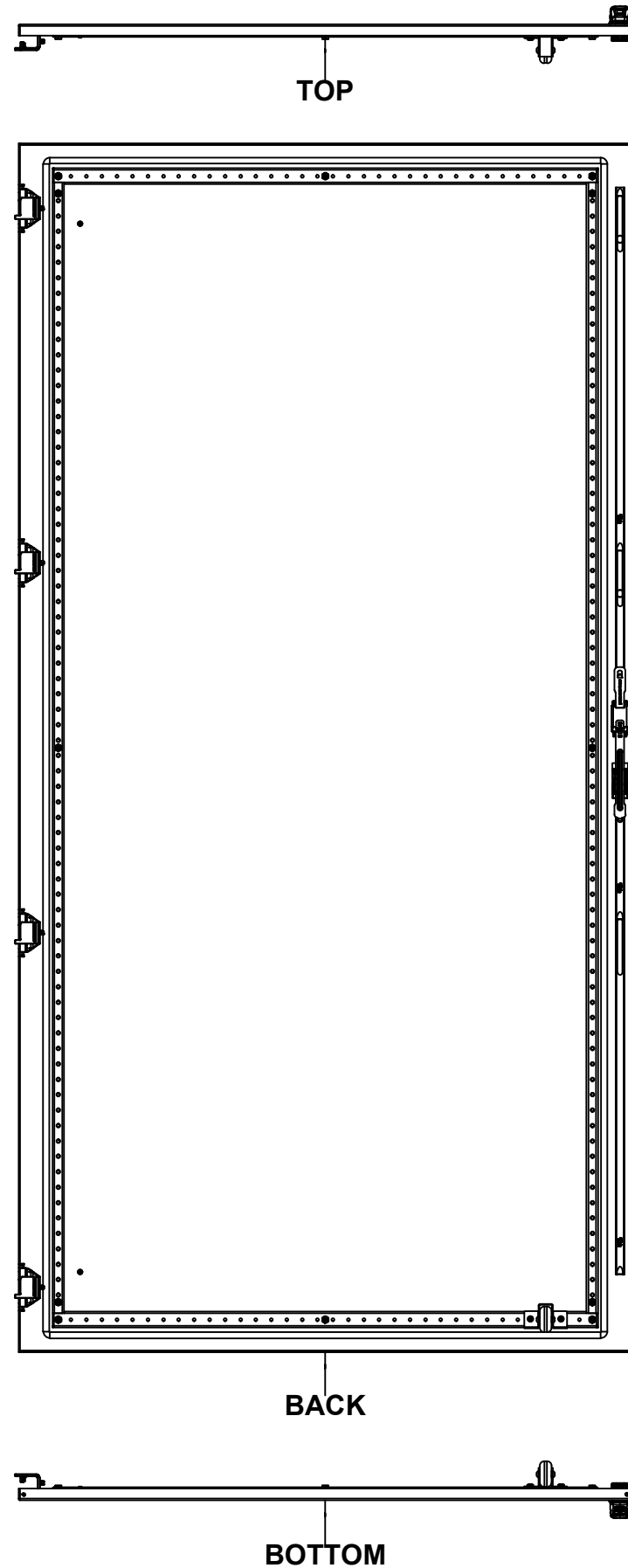


		Flatness Aplatissement Max 3.0mm	
Tél: (450) 979-4373 Fax: (450) 979-4626 <a href="http://www.exmweb.com">www.exmweb.com</a>		Projection 	
Customer Client		Date	
Drawn By / Dessiné Par: BoxCad: BoxCad		Date: 03-Mar-15	
Material / Matière: 14 Ga Cold Rolled A1008 CS Type B			
Color / Couleur: Light Grey RAL7035		Finish / Fini: Rough Textured	
Description: 6500 MXR 2000mm x 1000mm Back			Detail Rev.
Part Number / Numéro Pièce: <b>6500MXK201005B</b>		Rev.:	13 <b>0</b>

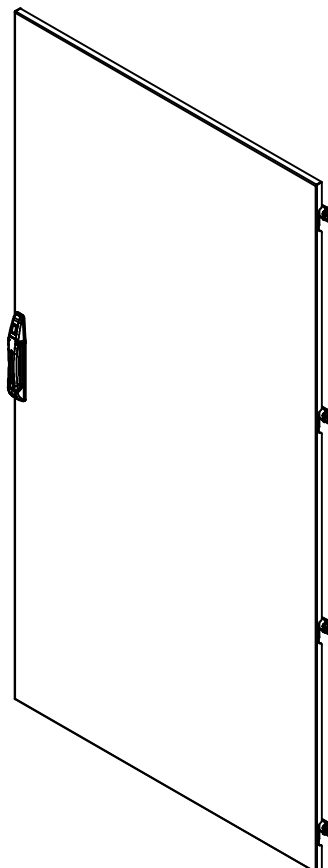
Qty	Part Number	Rev	Description
1	STK-P-03820R	0	Powder Paint (Light Grey / Rough Textured)
1	6500MXK201005BG	0	6500 MXR 2000mm x 1000mm Back Gasket
8	STK-A-70579	3	6500 MX Side Panel Insert Assembly
10	STK-Q-03071	0	M6 x 16mm Machine Screw
2	STK-Q-16080	0	Ground Stud M6 x 16mm Steel
1	6500MXK201005B-P	0	6500 MXR 2000mm x 1000mm Back Part
Parts List			

This drawing is confidential and must not be reproduced or used without the consent of EXM

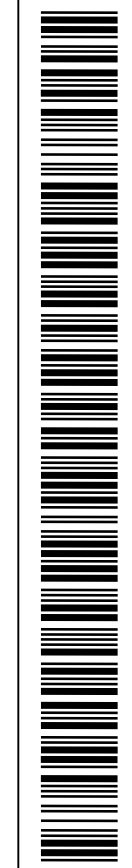
Ce dessin est confidentiel et ne doit pas être reproduit ou utilisé sans le consentement de EXM


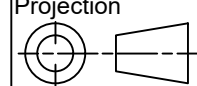


No.	Revisions	Date	By/Par



Isometric View



		Flatness Aplatissement Max 3.0mm	
Tél: (450) 979-4373 Fax: (450) 979-4626 <a href="http://www.exmweb.com">www.exmweb.com</a>		Projection 	
Customer Client		Date	
Drawn By Dessiné Par BoxCad: BoxCad		Date 03-Mar-15	
Material Matière 14 Ga Cold Rolled A1008 CS Type B			
Color Couleur Light Grey RAL7035		Finish Fini Rough Textured	
Description 6500 MXD 2000mm x 1000mm Front			Detail Rev.
Part Number Numéro Pièce <b>6500MXK201005F</b>		Rev. <b>0</b>	14 / 18

Use gasket program path 6500 MX > 6500 MXD

SEE BILL OF MATERIAL ON LAST PAGE

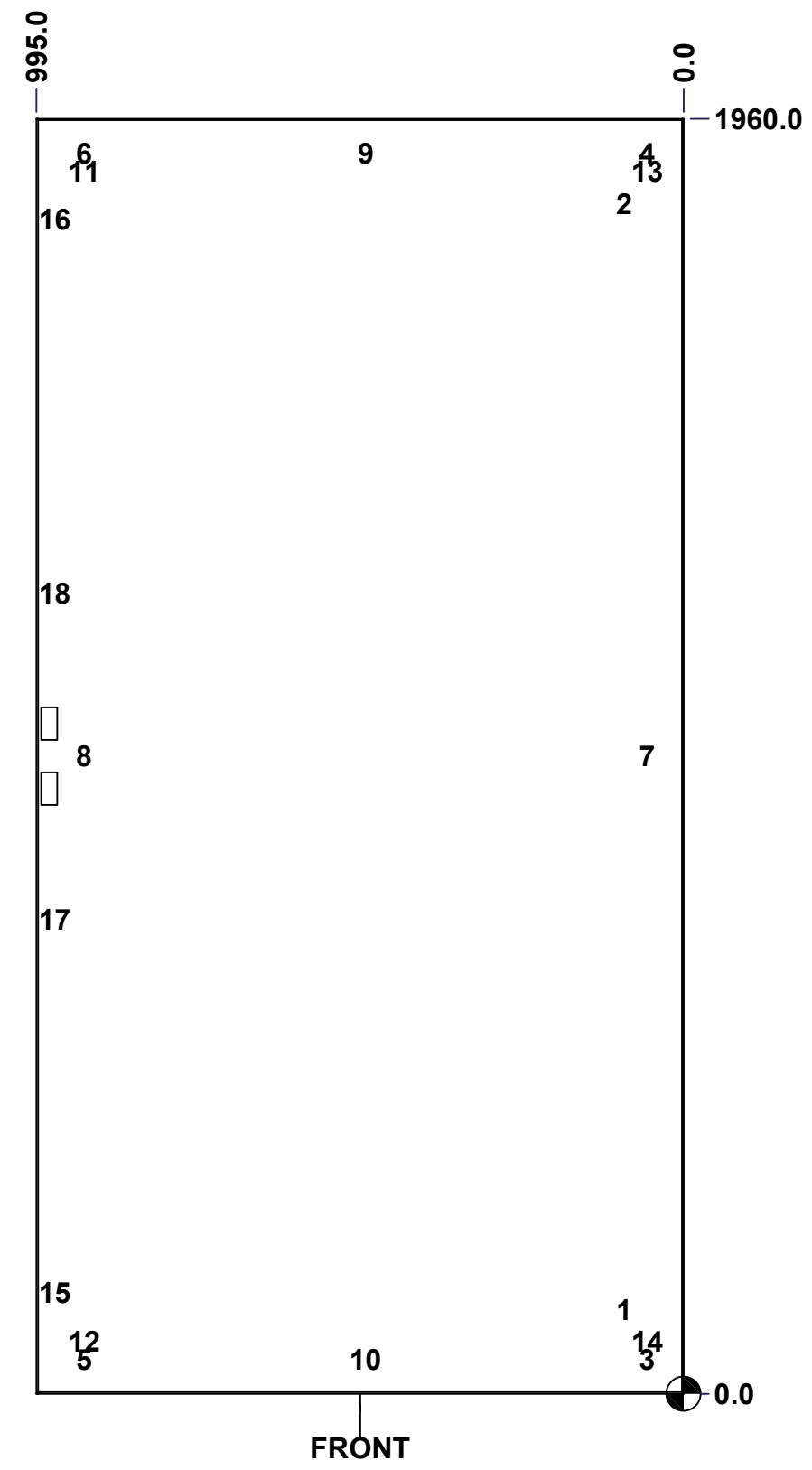
This drawing is confidential and must not be reproduced or used without the consent of EXM

Ce dessin est confidentiel et ne doit pas être reproduit ou utilisé sans le consentement de EXM

**STANDARD FEATURES ARE NOT LISTED IN THIS HOLE TABLE**

**HOLE TABLE - FRONT VIEW (CUSTOM FEATURE ONLY)**

CUT-OUT	XDIM	YDIM	DESCRIPTION
1	100.0	130.0	GND STUD M6 x 16mm (Inside)
2	100.0	1830.0	GND STUD M6 x 16mm (Inside)
3	64.5	52.8	STIFF. STUD M6 x 18mm (Inside)
4	64.5	1907.2	STIFF. STUD M6 x 18mm (Inside)
5	930.5	52.8	STIFF. STUD M6 x 18mm (Inside)
6	930.5	1907.2	STIFF. STUD M6 x 18mm (Inside)
7	64.5	980.0	STIFF. STUD M6 x 18mm (Inside)
8	930.5	980.0	STIFF. STUD M6 x 18mm (Inside)
9	497.5	1907.2	STIFF. STUD M6 x 18mm (Inside)
10	497.5	52.8	STIFF. STUD M6 x 18mm (Inside)
11	930.5	1879.0	STIFF. STUD M6 x 18mm (Inside)
12	930.5	81.0	STIFF. STUD M6 x 18mm (Inside)
13	64.5	1879.0	STIFF. STUD M6 x 18mm (Inside)
14	64.5	81.0	STIFF. STUD M6 x 18mm (Inside)
15	975.5	155.0	CLOSING BAR GUIDE (Inside)
16	975.5	1805.0	CLOSING BAR GUIDE (Inside)
17	975.5	730.0	CLOSING BAR GUIDE (Inside)
18	975.5	1230.0	CLOSING BAR GUIDE (Inside)



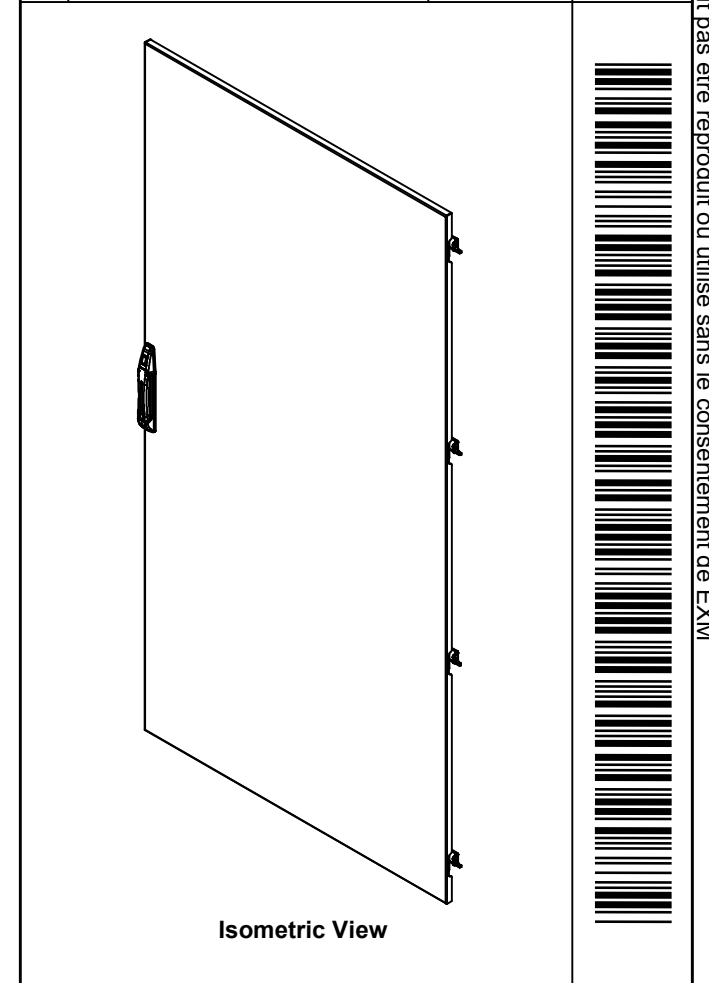
Use bending program path 6500 MX > 6500 MXD

	Description	Status
	6500 MXD 2000mm x 1000mm Front	(NULL)
	Part Number Numéro Pièce	Rev.
	<b>6500MXK201005F</b>	<b>0</b> / 15

This drawing is confidential and must not be reproduced or used without the consent of EXM

Ce dessin est confidentiel et ne doit pas être reproduit ou utilisé sans le consentement de EXM

No.	Revisions	Date	By/Par



**EXM**  
www.exmweb.com

Tél: (450) 979-4373  
Fax: (450) 979-4626

Flatness  
Aplatissement  
Max 3.0mm

Projection

1	STK-P-03820R	0	Powder Paint (Light Grey / Rough Textured)
1	STK-Q-45652-20	5	6500 MX - Lower Closing Bar 2000mm
1	STK-Q-45651-20	5	6500 MX - Upper Closing Bar 2000mm
1	6500MXSRK	1	6500 MXRSK Door Support Roller
4	STK-Q-16405	6	Guide Stud - Small (No Paint Cap Required)
4	STK-K-06810	7	6500 MX Hinge Assy
1	886PHD-S	11	Euroform Pull Handle Kit
14	STK-Q-16055	1	M6 x 18mm Stud (No Paint Cap Required)
1	6500MXK201005DS1	5	6500 MX 2000mm x 1000mm Door Stiffener
1	6500MXK201005FG	0	6500 MXD 2000mm x 1000mm Front Gasket
1	6500MXK201005F-P	0	6500 MXD 2000mm x 1000mm Front Part
Qty	Part Number	Rev	Description
Parts List			

Customer Client	Date
Drawn By / Dessiné Par: BoxCad: BoxCad	Date: 03-Mar-15
Material / Matière: 14 Ga Cold Rolled A1008 CS Type B	
Color / Couleur: Light Grey RAL7035	Finish / Fini: Rough Textured
Description: 6500 MXD 2000mm x 1000mm Front	Detail Rev.
Part Number / Numéro Pièce: <b>6500MXK201005F</b>	Rev. 0
	16 / 18

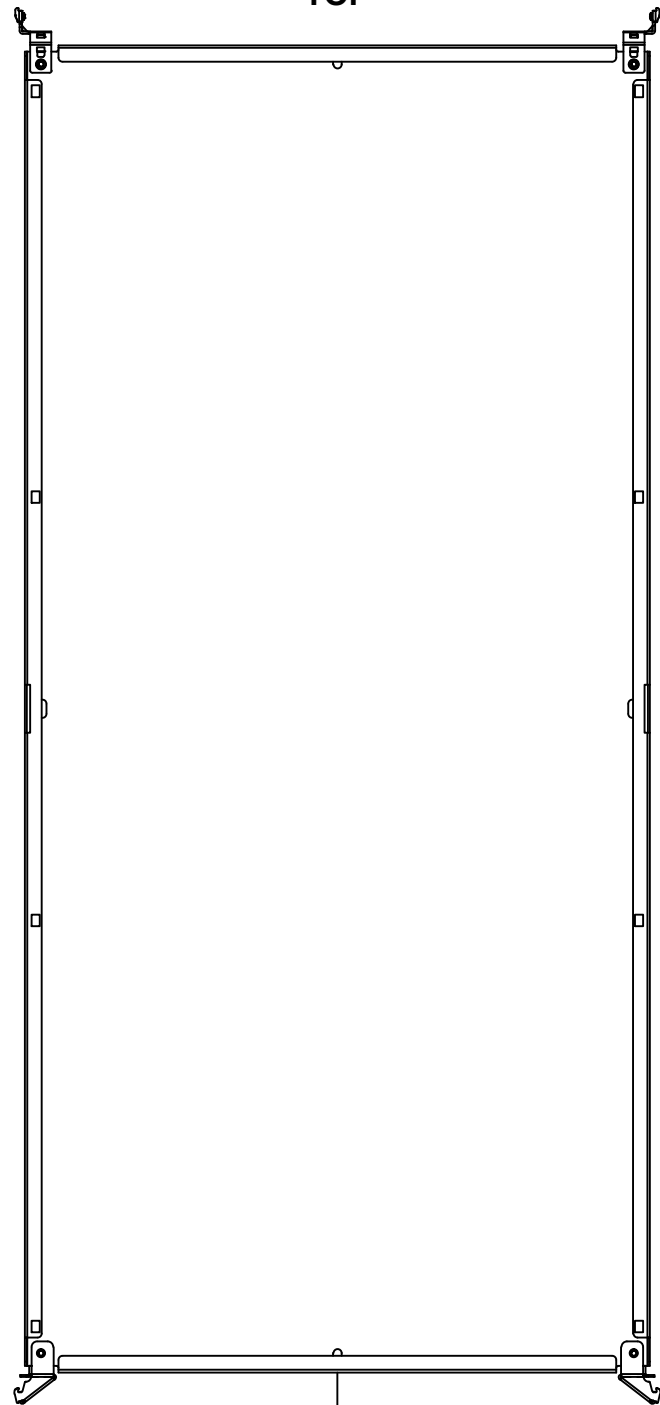


This drawing is confidential and must not be reproduced or used without the consent of EXM

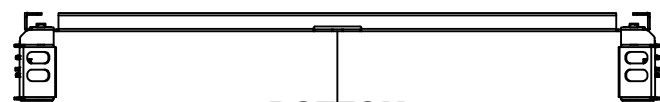
Ce dessin est confidentiel et ne doit pas être reproduit ou utilisé sans le consentement de EXM



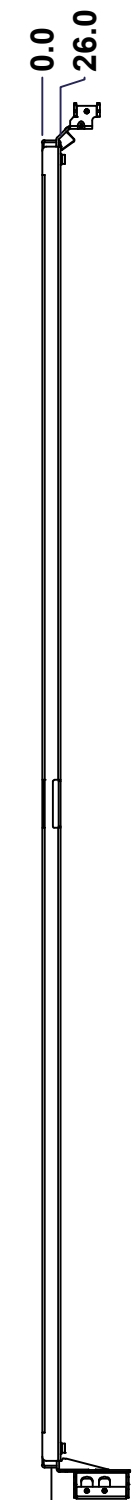
TOP



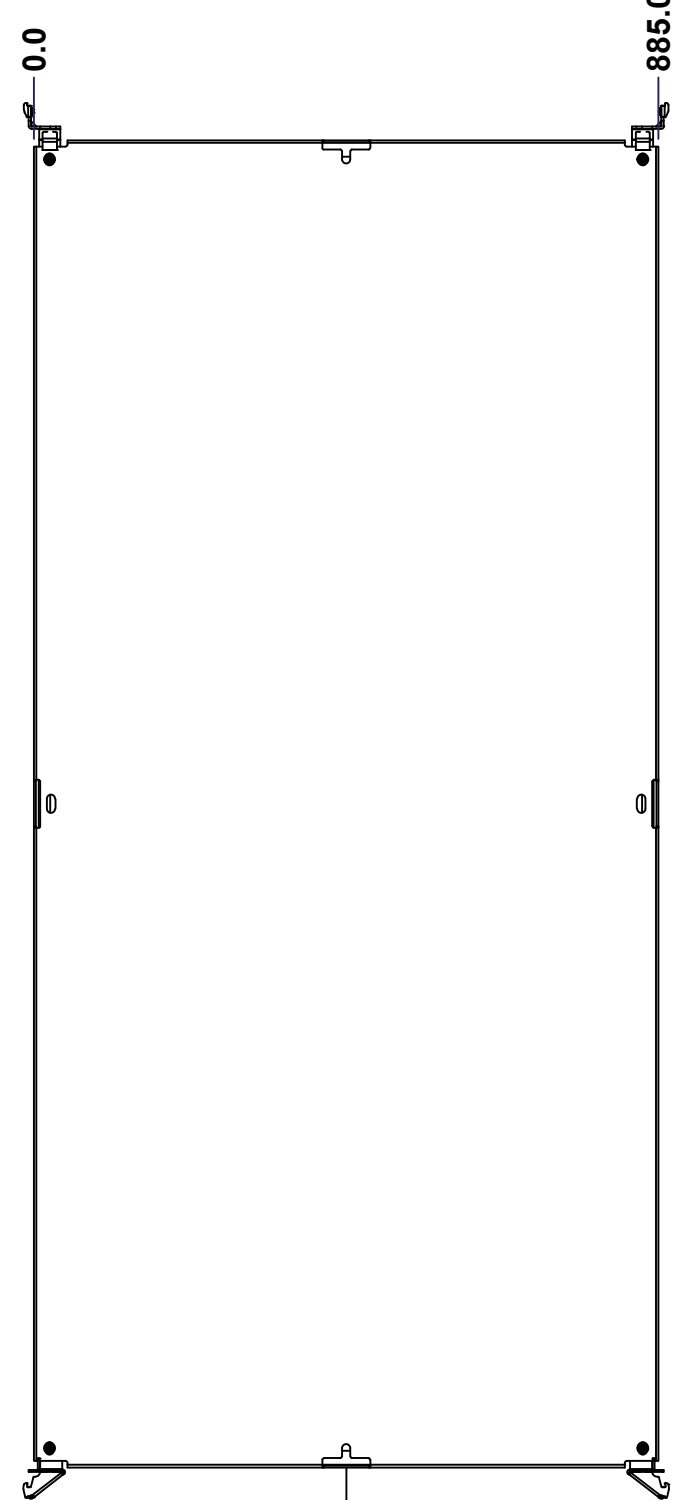
BACK



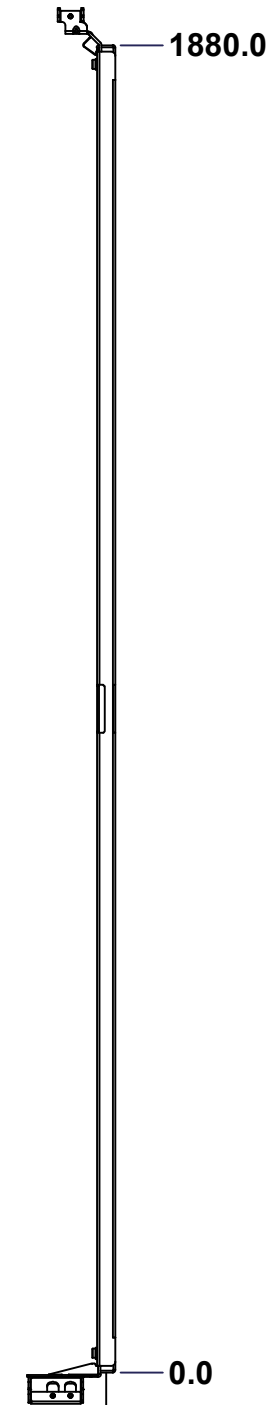
BOTTOM



LEFT

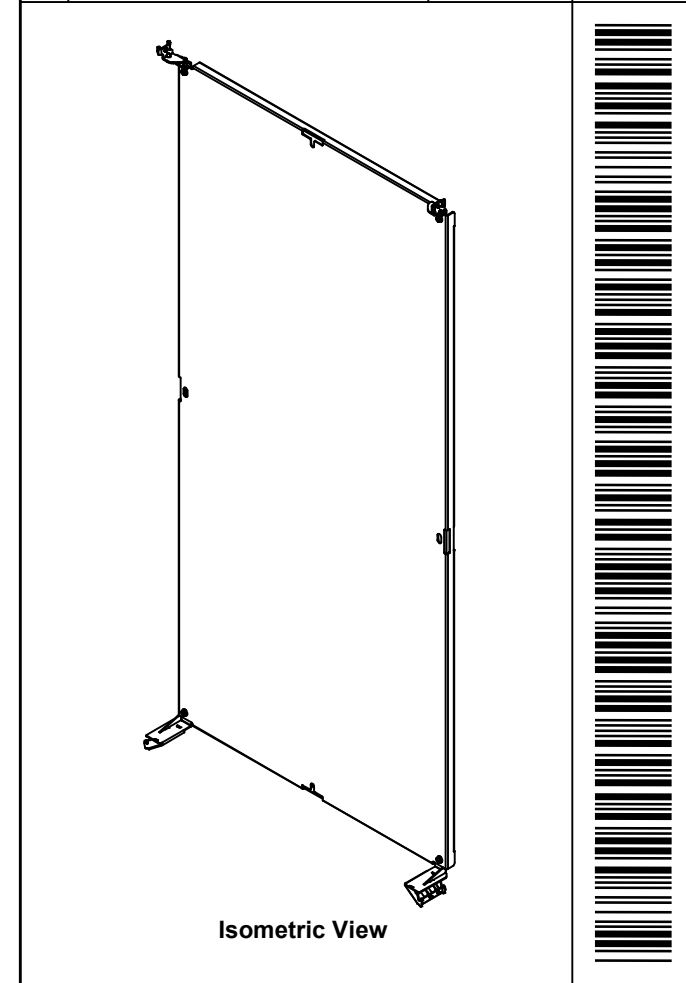


FRONT



RIGHT

No.	Revisions	Date	By/Par



Isometric View

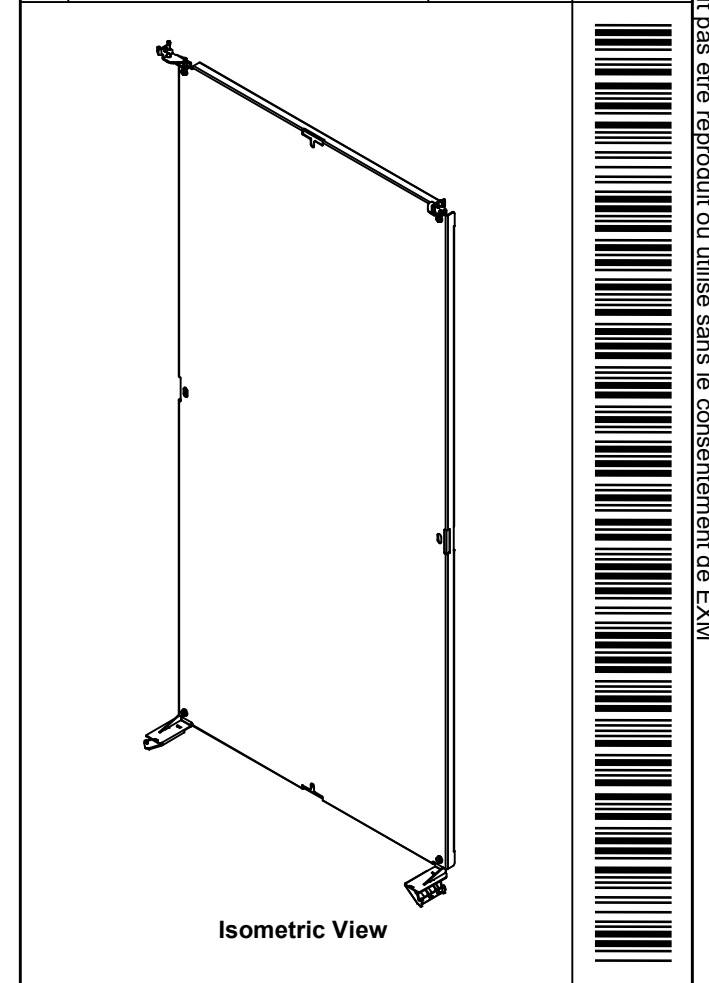
	Flatness Aplatissement Max 3.0mm
	Projection 
Customer Client	Date
Drawn By Dessiné Par BoxCad: BoxCad	Date 03-Mar-15
Material Matière 12 Ga Galvanized (2.5mm)	
Color Couleur Unpainted	Finish Fini Unpainted
Description 6500 MXM 2000mm x 1000mm Back Inner Panel	
Detail Rev.	
Part Number Numéro Pièce <b>6500MXK201005BIP</b>	Rev. 17 <b>0</b> 18


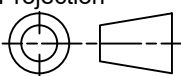
SEE BILL OF MATERIAL ON LAST PAGE

This drawing is confidential and must not be reproduced or used without the consent of EXM

Ce dessin est confidentiel et ne doit pas être reproduit ou utilisé sans le consentement de EXM

No.	Revisions	Date	By/Par



 Tél: (450) 979-4373 Fax: (450) 979-4626 <a href="http://www.exmweb.com">www.exmweb.com</a>		Flatness Aplatissement Max 3.0mm Projection 
Customer Client	Date	
Drawn By Dessiné Par	BoxCad: BoxCad	Date 03-Mar-15
Material Matière	12 Ga Galvanized (2.5mm)	
Color Couleur	Unpainted	Finish Fini Unpainted
Description		Detail Rev.
6500 MXM 2000mm x 1000mm Back Inner Panel		
Part Number Numéro Pièce	Rev.	18
<b>6500MXK201005BIP</b>	<b>0</b>	18

Qty	Part Number	Rev	Description
1	STK-A-49005	5	6500 MXM - Bottom Inner Panel Support Assembly (Right)
1	STK-A-49000	5	6500 MXM - Bottom Inner Panel Support Assembly (Left)
1	STK-A-49015	0	6500MXM - Top Inner Panel Support Kit (Right)
1	STK-A-49010	0	6500MXM - Top Inner Panel Support Kit (Left)
1	6500MXK201005BIP-P	0	6500 MXM 2000mm x 1000mm Back Inner Panel Part
Parts List			