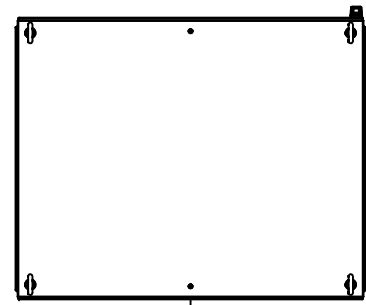
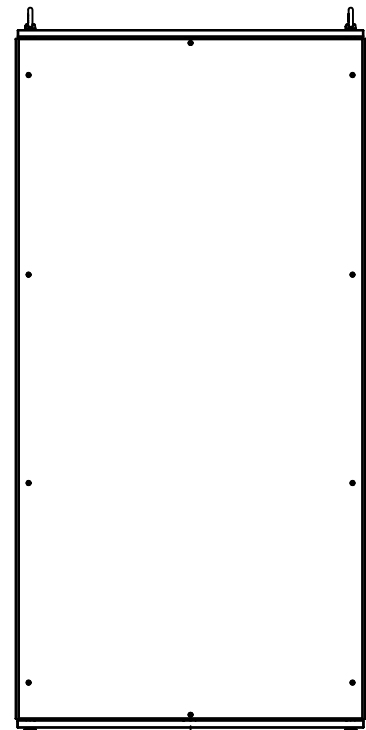


This drawing is confidential and must not be reproduced or used without the consent of EXM

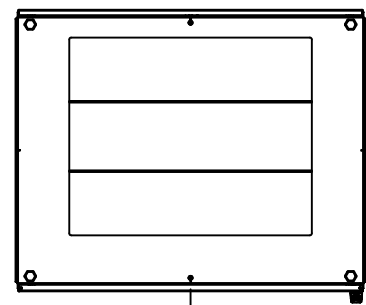
Ce dessin est confidentiel et ne doit pas être reproduit ou utilisé sans le consentement de EXM



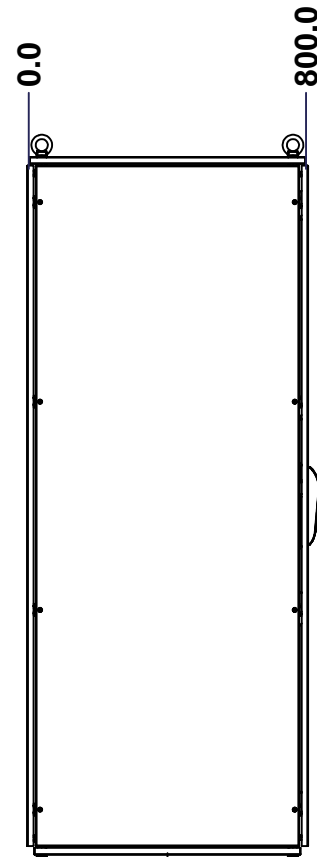
TOP



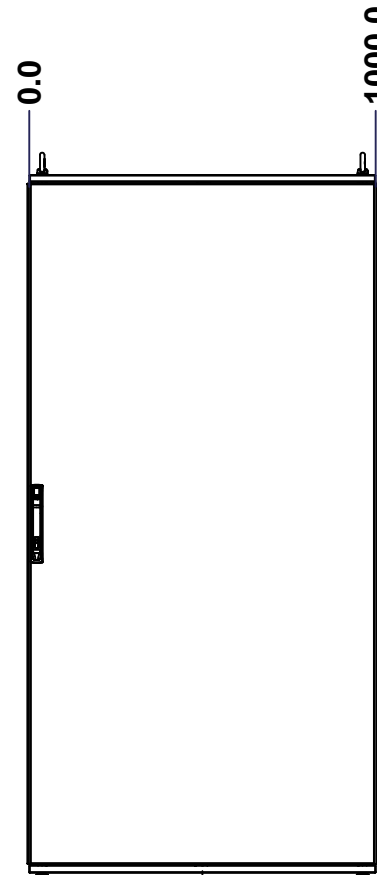
BACK



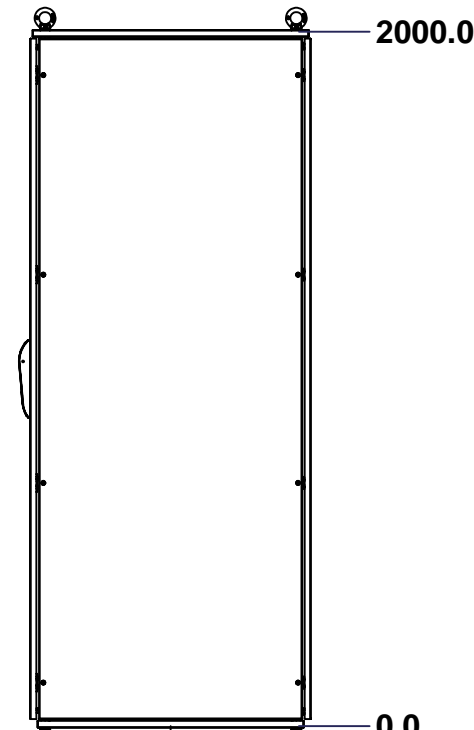
BOTTOM



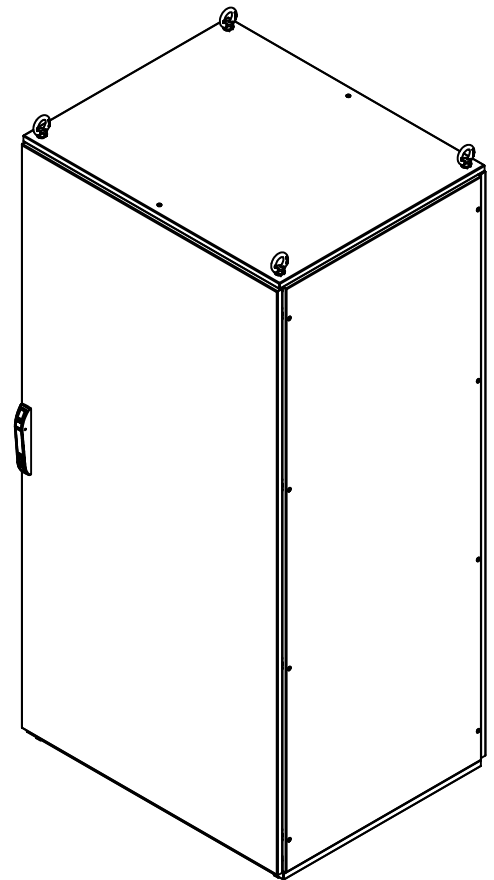
LEFT



FRONT




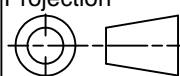
RIGHT



Isometric View



No.	Revisions	Date	By/Par

 Tél: (450) 979-4373 Fax: (450) 979-4626 <a href="http://www.exmweb.com">www.exmweb.com</a>		Flatness Aplatissement Max 3.0mm Projection 
Customer Client	Date	Date
Drawn By Dessiné Par	BoxCad: Annie	Date 08/08/2014
Material Matière	See Part List	
Color Couleur	See Part List	Finish Fini See Part List
Description 6500MX 2000mm x 1000mm x 800mm Assembly	Detail Rev.	
Part Number Numéro Pièce	Rev. 0	1 2

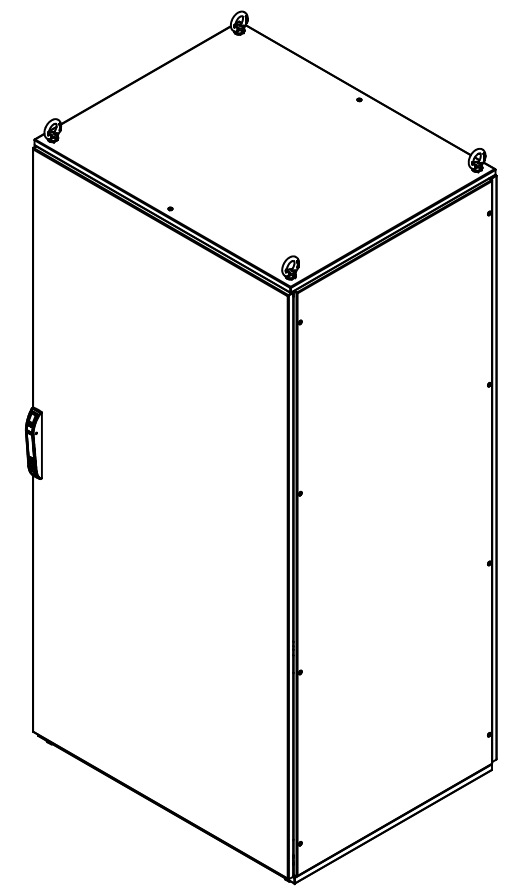
SEE BILL OF MATERIAL ON LAST PAGE

**6500MXK201008**

This drawing is confidential and must not be reproduced or used without the consent of EXM

Ce dessin est confidentiel et ne doit pas être reproduit ou utilisé sans le consentement de EXM

No.	Revisions	Date	By/Par



Isometric View



Tél: (450) 979-4373  
 Fax: (450) 979-4626  
[www.exmweb.com](http://www.exmweb.com)

Flatness  
Aplatissement  
Max 3.0mm  
Projection

Customer Client  
 Drawn By Dessiné Par BoxCad: Annie  
 Date 08/08/2014

Material Matière See Part List  
 Color Couleur See Part List  
 Finish Fini See Part List

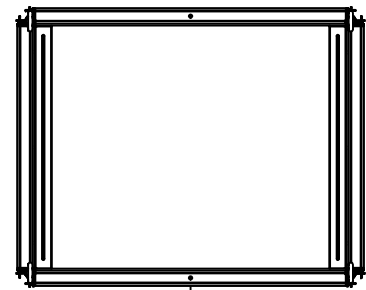
Description  
 6500MX 2000mm x 1000mm x 800mm Assembly  
 Detail Rev.

Part Number Numéro Pièce  
**6500MXK201008**  
 Rev. 2  
**0**

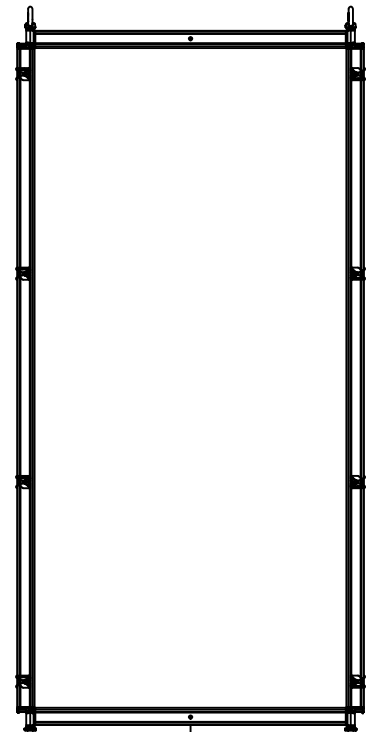
Qty	Part Number	Rev	Description
1	6500MXK201008BIP	0	6500 MXM 2000mm x 1000mm Back Inner Panel
1	6500MXK201008R	0	6500 MXC 2000mm x 800mm Right
1	6500MXK201008L	0	6500 MXC 2000mm x 800mm Left
1	6500MXK201008F	0	6500 MXD 2000mm x 1000mm Front
1	6500MXK201008B	0	6500 MXR 2000mm x 1000mm Back
1	6500MXK201008BT	0	6500 MXB 1000mm x 800mm Bottom
1	6500MXK201008T	0	6500 MXT 1000mm x 800mm Top
1	6500MXK201008FR	0	6500 MX 2000mm x 1000mm x 800mm Frame
Parts List			

This drawing is confidential and must not be reproduced or used without the consent of EXM

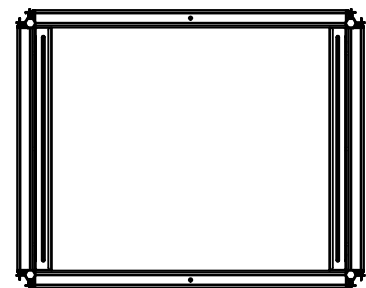
Ce dessin est confidentiel et ne doit pas être reproduit ou utilisé sans le consentement de EXM



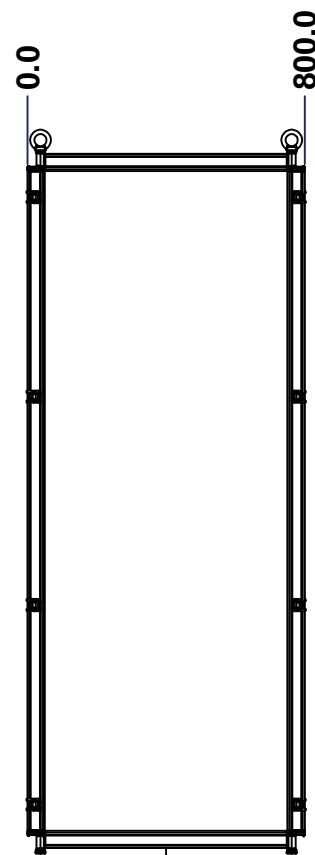
TOP



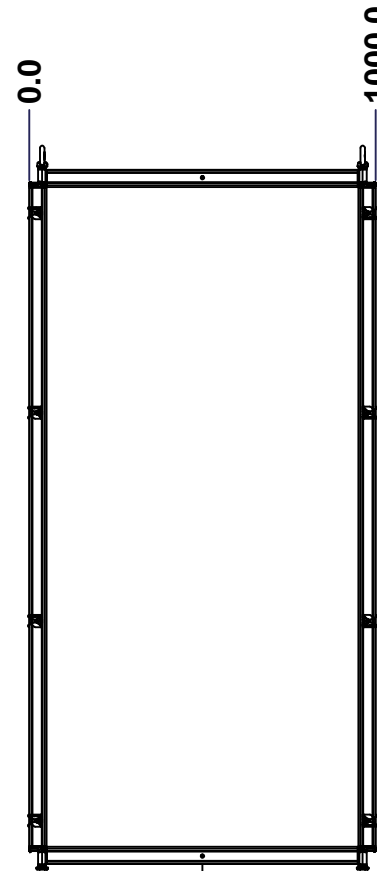
BACK



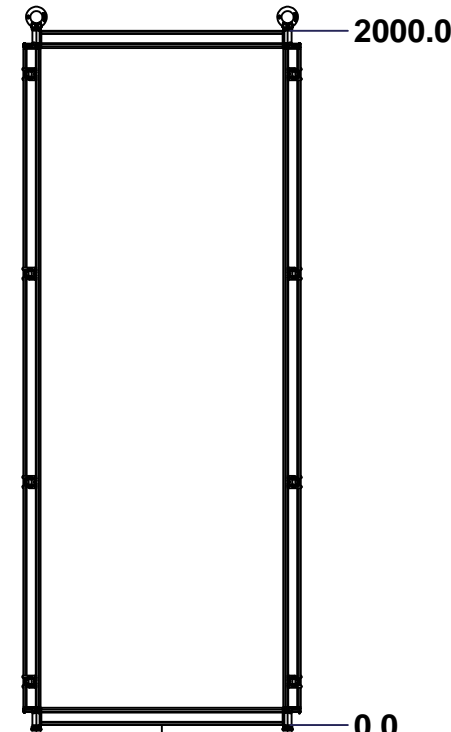
BOTTOM



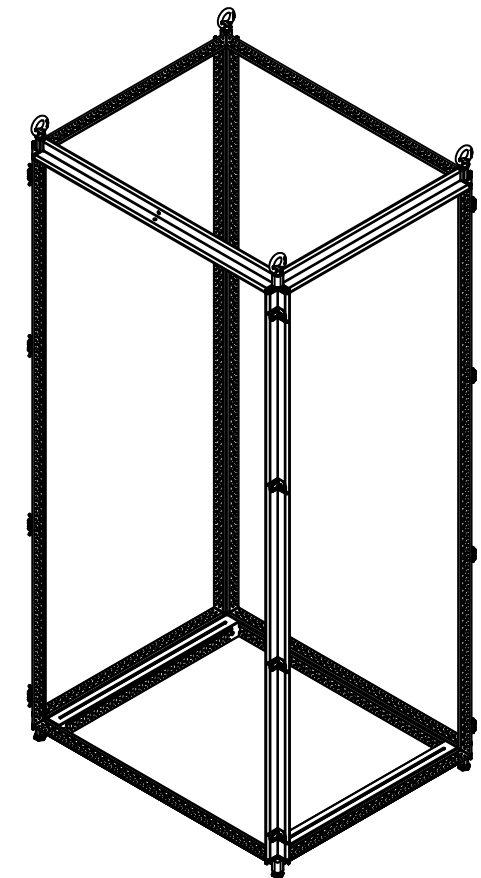
LEFT



FRONT



RIGHT



Isometric View

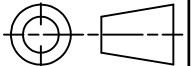


Tél: (450) 979-4373  
 Fax: (450) 979-4626  
[www.exmweb.com](http://www.exmweb.com)

Flatness  
Aplatissement

Max 3.0mm

Projection



Customer Client	Date
Drawn By / Dessiné Par: BoxCad: Annie	Date: 08/08/2014

Material / Matière: 16 Ga Electro-Galvanized (1.4mm)

Color / Couleur: Iron Grey RAL7011	Finish / Fini: Rough / Textured
------------------------------------	---------------------------------

Description: 6500 MX 2000mm x 1000mm x 800mm Frame  
 Detail Rev.

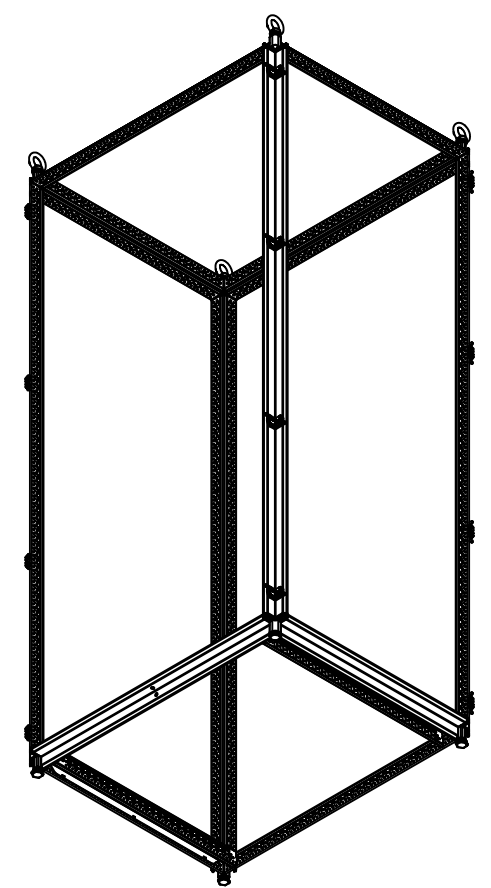
Part Number / Numéro Pièce: 6500MXK201008FR	Rev. 0	1 / 2
---	--------	-------

SEE BILL OF MATERIAL ON LAST PAGE

This drawing is confidential and must not be reproduced or used without the consent of EXM

Ce dessin est confidentiel et ne doit pas être reproduit ou utilisé sans le consentement de EXM


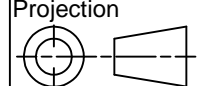
No.	Revisions	Date	By/Par



Isometric View

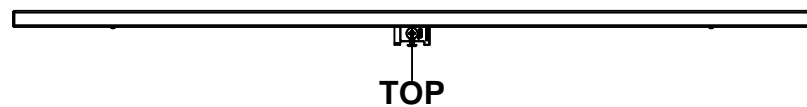


Qty	Part Number	Rev	Description
1	STK-P-03810R	0	Powder Paint (Iron Grey / Rough Textured)
1	STK-Q-49065	3	6500 MXM Inner Panel Slider 800mm
1	STK-Q-49065-L	3	6500 MXM Inner Panel Slider 800mm
4	STK-Q-49500	3	M12 Eye Bolt (0.34T)
4	STK-Q-61110	0	M12 Feet Leveler
8	STK-Q-00610	1	M18 x 30.5mm Bolt - Cover
4	STK-Q-47251-20	3	6500 MX 2000mm Vertical Frame Post Part
4	STK-Q-47250-10	3	6500 MX 1000mm Horizontal Frame Post Part
4	STK-Q-47250-08	3	6500 MX 800mm Horizontal Frame Post Part
8	STK-Q-49445	2	6500 MX - Frame Corner Bracket Casting
16	STK-K-11001	2	3 Way Fixed Bracket Kit
Parts List			

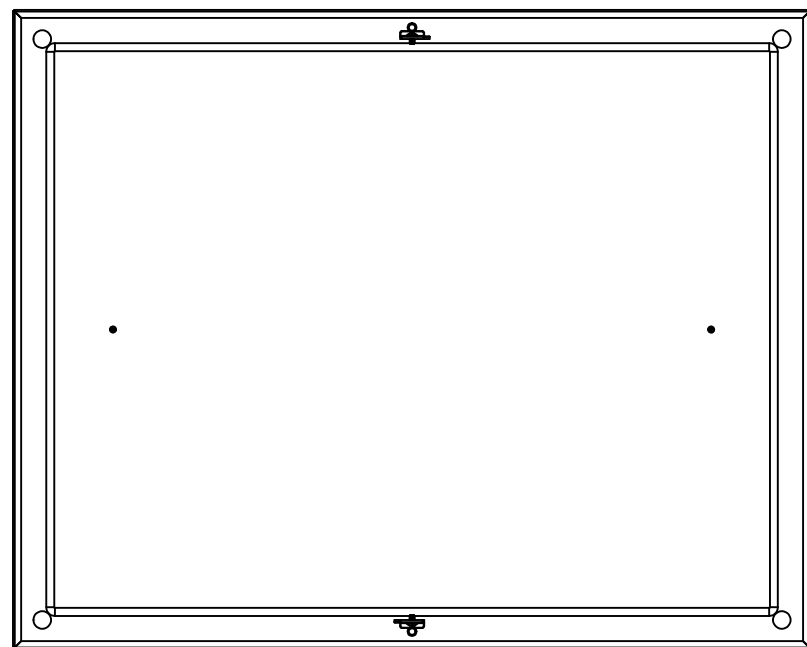
 Tél: (450) 979-4373 Fax: (450) 979-4626 <a href="http://www.exmweb.com">www.exmweb.com</a>		Flatness Aplatissement Max 3.0mm Projection 
Customer Client	Date	
Drawn By Dessiné Par	BoxCad: Annie	Date 08/08/2014
Material Matière	16 Ga Electro-Galvanized (1.4mm)	
Color Couleur	Iron Grey RAL7011	Finish Fini Rough Textured
Description	Detail Rev.	
6500 MX 2000mm x 1000mm x 800mm Frame		
Part Number Numéro Pièce	Rev.	2
<b>6500MXK201008FR</b>	<b>0</b>	<b>2</b>

This drawing is confidential and must not be reproduced or used without the consent of EXM

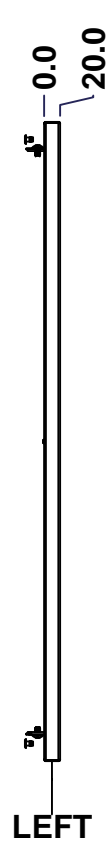
Ce dessin est confidentiel et ne doit pas être reproduit ou utilisé sans le consentement de EXM



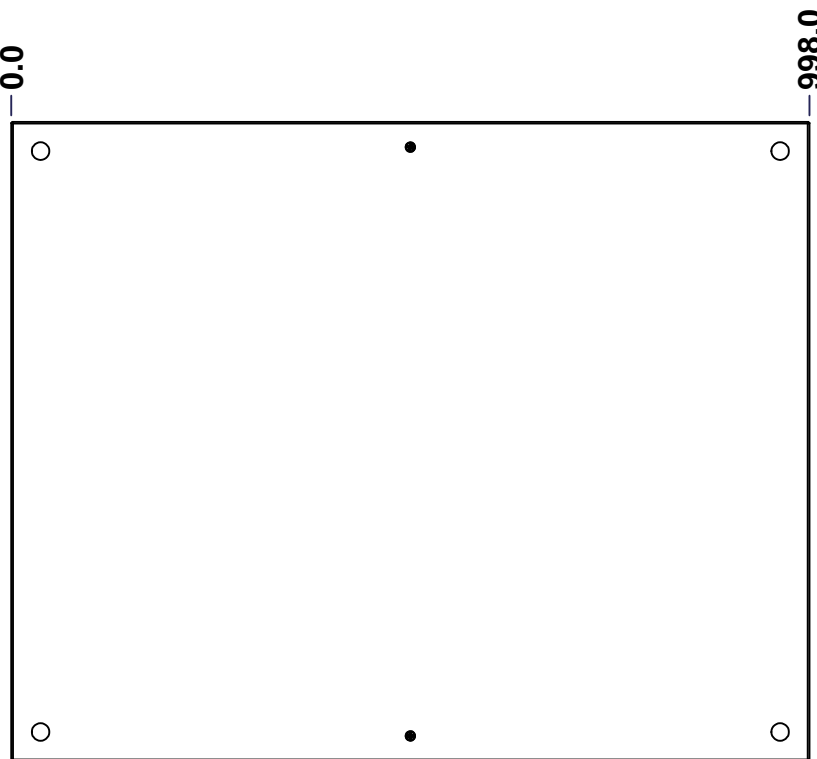
TOP



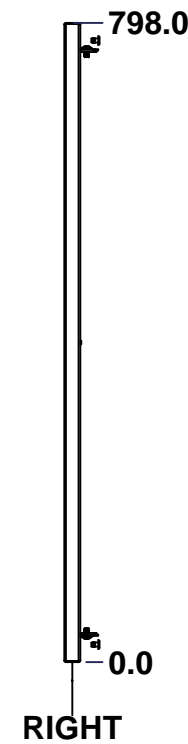
BACK



LEFT



FRONT

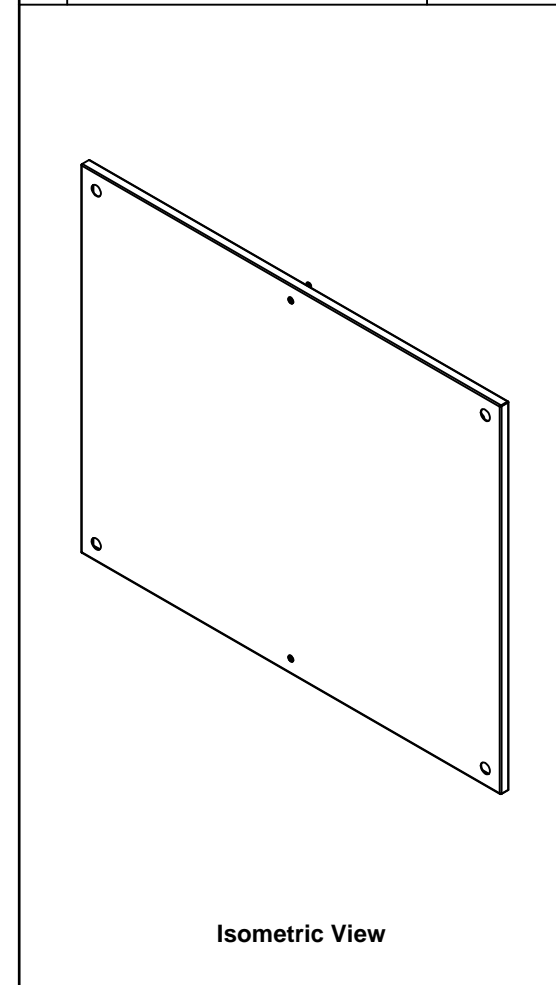


RIGHT




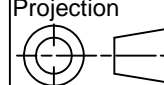
BOTTOM

No.	Revisions	Date	By/Par



Isometric View



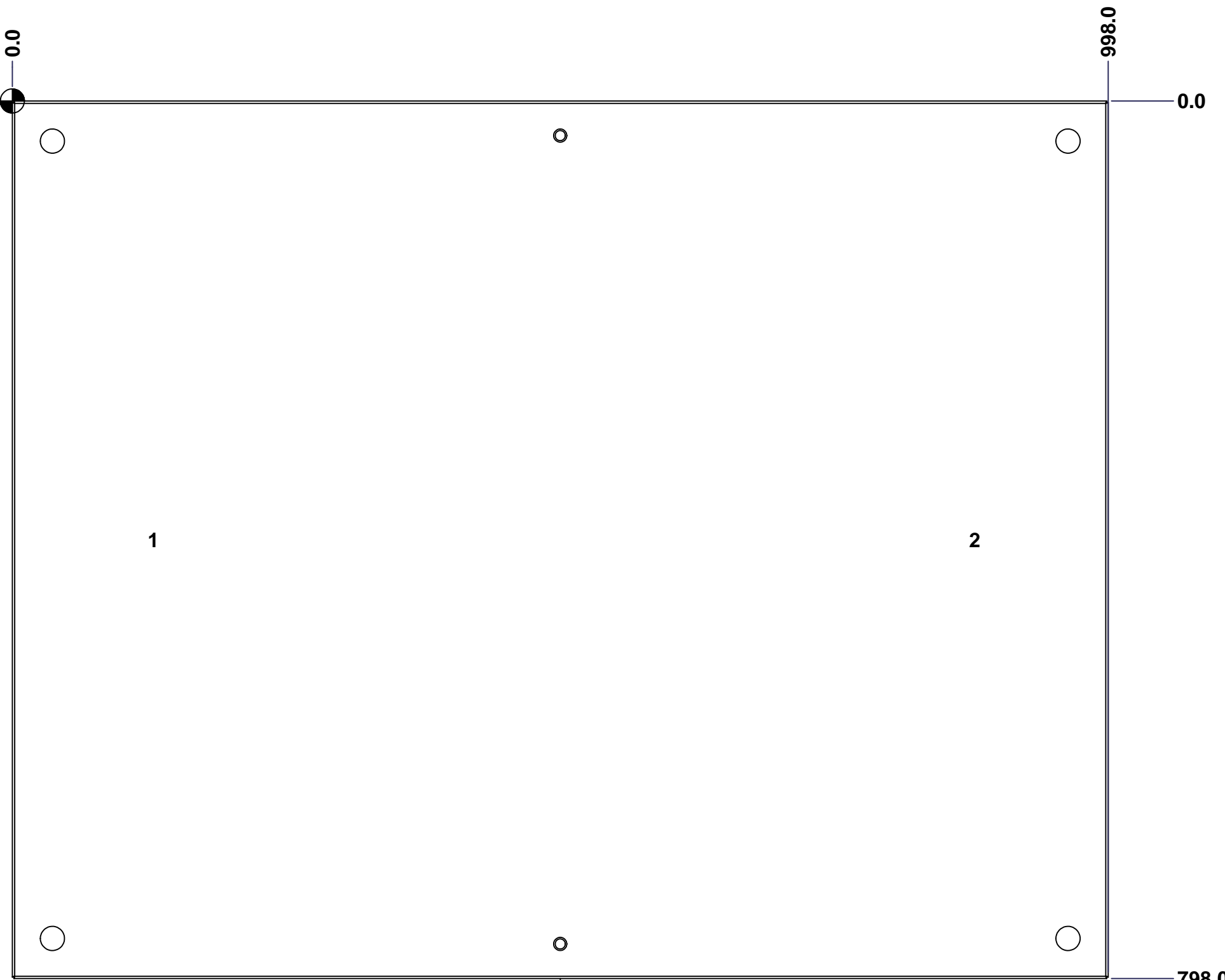
 Tél: (450) 979-4373 Fax: (450) 979-4626 <a href="http://www.exmweb.com">www.exmweb.com</a>		Flatness Aplatissement Max 3.0mm Projection 
Customer Client	Date	
Drawn By / Dessiné Par: BoxCad: Annie	Date: 08/08/2014	
Material / Matière: 16 Ga H.R.P. & O. (1.4mm)	Color / Couleur: Iron Grey RAL7011	
Description: 6500 MXT 1000mm x 800mm Top		Finish / Fini: Rough / Textured
Part Number / Numéro Pièce: 6500MXK201008T	Detail Rev.: 0	Rev.: 1 / 3

SEE BILL OF MATERIAL ON LAST PAGE

This drawing is confidential and must not be reproduced or used without the consent of EXM

Ce dessin est confidentiel et ne doit pas être reproduit ou utilisé sans le consentement de EXM

STANDARD FEATURES ARE NOT LISTED IN THIS HOLE TABLE			
HOLE TABLE - FRONT VIEW (CUSTOM FEATURE ONLY)			
CUT-OUT	XDIM	YDIM	DESCRIPTION
1	125.0	399.0	GND STUD M6 x 16mm (Inside)
2	873.0	399.0	GND STUD M6 x 16mm (Inside)



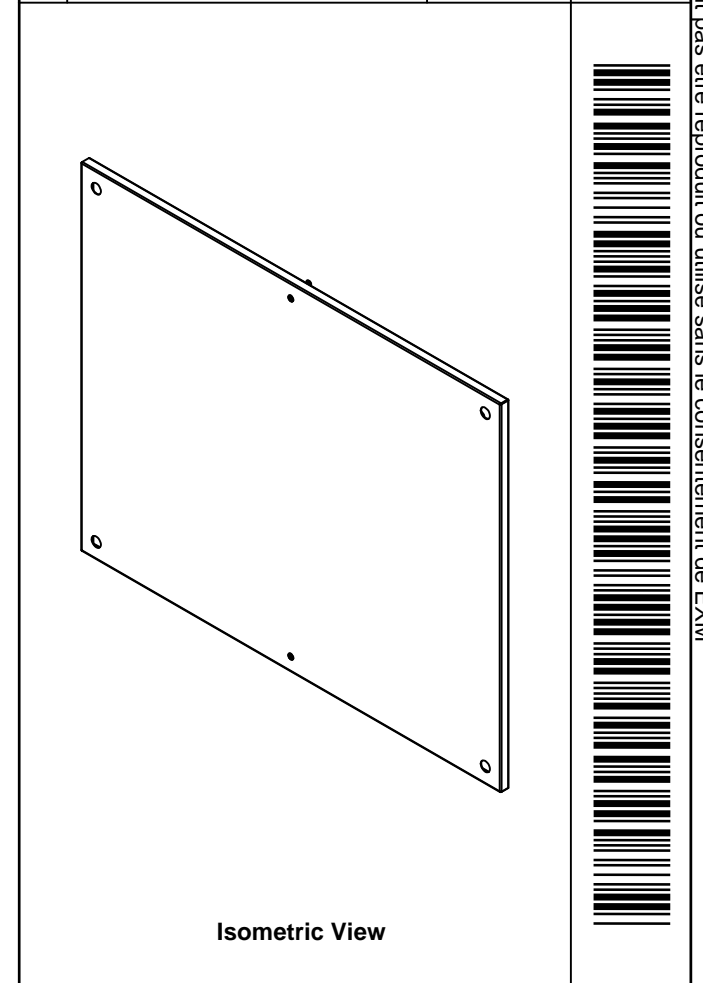
FRONT

	Description		Status
	6500 MXT 1000mm x 800mm Top		(NULL)
Part Number Numéro Pièce		Rev.	
<b>6500MXK201008T</b>		<b>0</b>	2 3

This drawing is confidential and must not be reproduced or used without the consent of EXM

Ce dessin est confidentiel et ne doit pas être reproduit ou utilisé sans le consentement de EXM

No.	Revisions	Date	By/Par

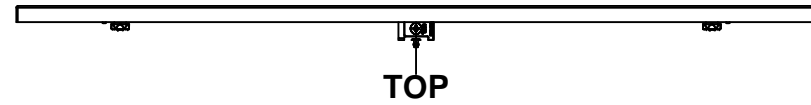


Tél: (450) 979-4373 Fax: (450) 979-4626 <a href="http://www.exmweb.com">www.exmweb.com</a>		Flatness Aplatissement	
		Max 3.0mm Projection	
Customer Client		Date	
Drawn By Dessiné Par BoxCad: Annie		Date 08/08/2014	
Material Matière 16 Ga H.R.P. & O. (1.4mm)			
Color Couleur Iron Grey RAL7011		Finish Fini Rough Textured	
Description 6500 MXT 1000mm x 800mm Top			Detail Rev.
Part Number Numéro Pièce <b>6500MXK201008T</b>		Rev. <b>0</b>	3 3

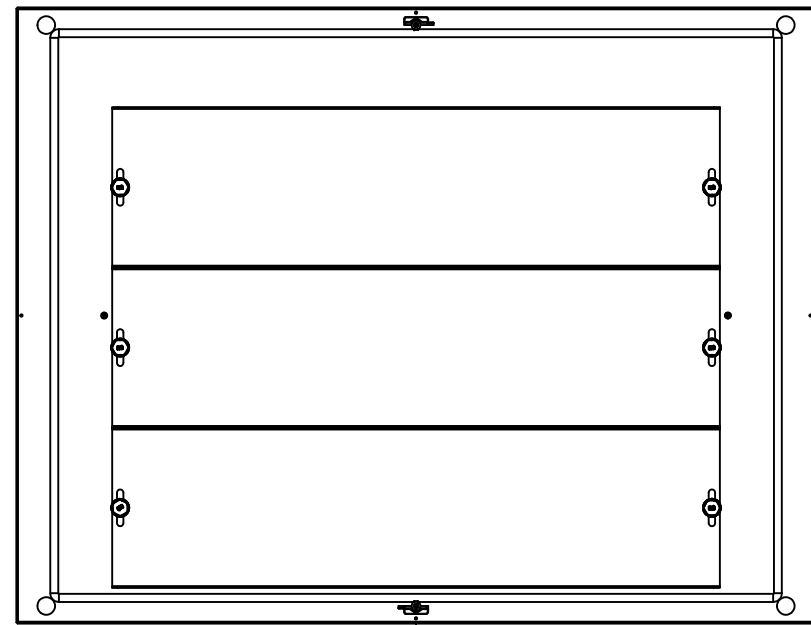
Qty	Part Number	Rev	Description
1	STK-P-03810R	0	Powder Paint (Iron Grey / Rough Textured)
2	STK-Q-16055	1	M6 x 18mm Stud (No Paint Cap Required)
2	STK-Q-77120	1	6500MX-Frame Rubber Plug
2	STK-Q-03072	2	M6 x 17mm Phillips Flat Head Screw
1	6500MXK201008TG	0	6500 MXT 1000mm x 800mm Top Gasket
1	6500MXK201008T-P	0	6500 MXT 1000mm x 800mm Top Part
2	STK-K-11010	3	Partial Fixed Bracket Kit
Parts List			

This drawing is confidential and must not be reproduced or used without the consent of EXM

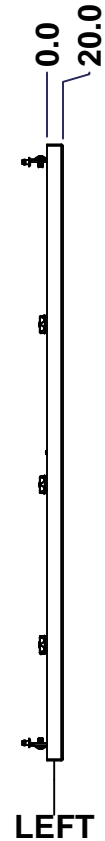
Ce dessin est confidentiel et ne doit pas être reproduit ou utilisé sans le consentement de EXM



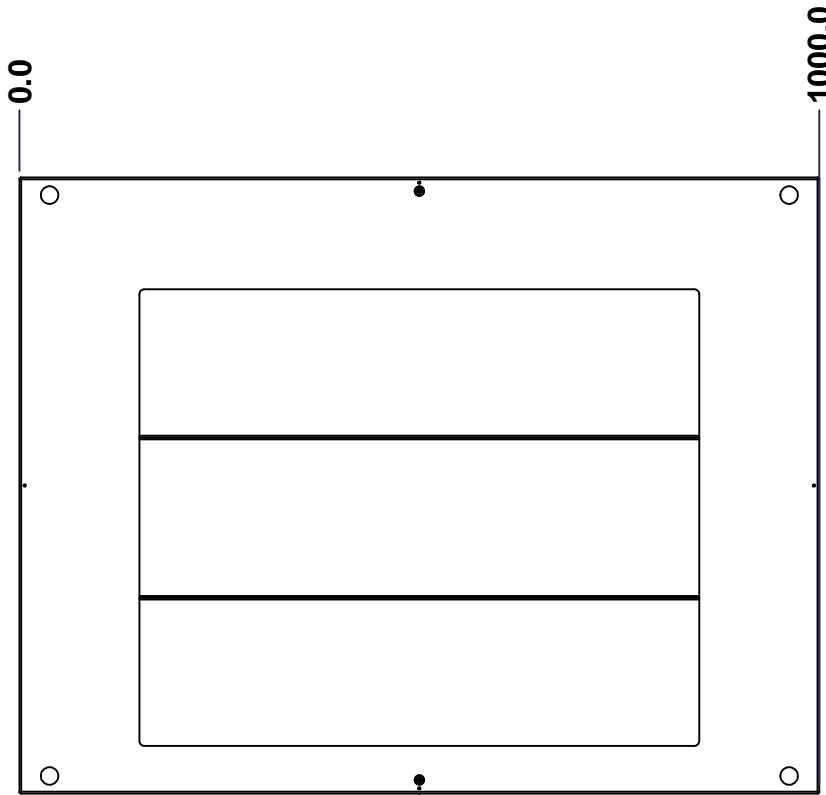
TOP



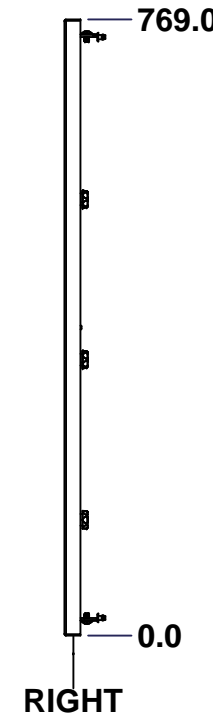
BACK



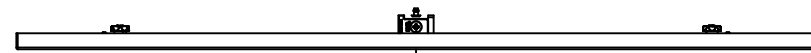
LEFT



FRONT



RIGHT



BOTTOM

No.	Revisions	Date	By/Par

Isometric View

Tél: (450) 979-4373 Fax: (450) 979-4626 <a href="http://www.exmweb.com">www.exmweb.com</a>		Flatness Aplatissement Max 3.0mm Projection 
Customer Client	Date	
Drawn By / Dessiné Par: BoxCad: Annie	Date: 08/08/2014	
Material / Matière: 16 Ga H.R.P. & O. (1.4mm)	Color / Couleur: Iron Grey RAL7011	
Description: 6500 MXB 1000mm x 800mm Bottom		Finish / Fini: Rough / Textured
Part Number / Numéro Pièce: 6500MXK201008BT	Detail Rev.:	Rev. 1 / 3

SEE BILL OF MATERIAL ON LAST PAGE



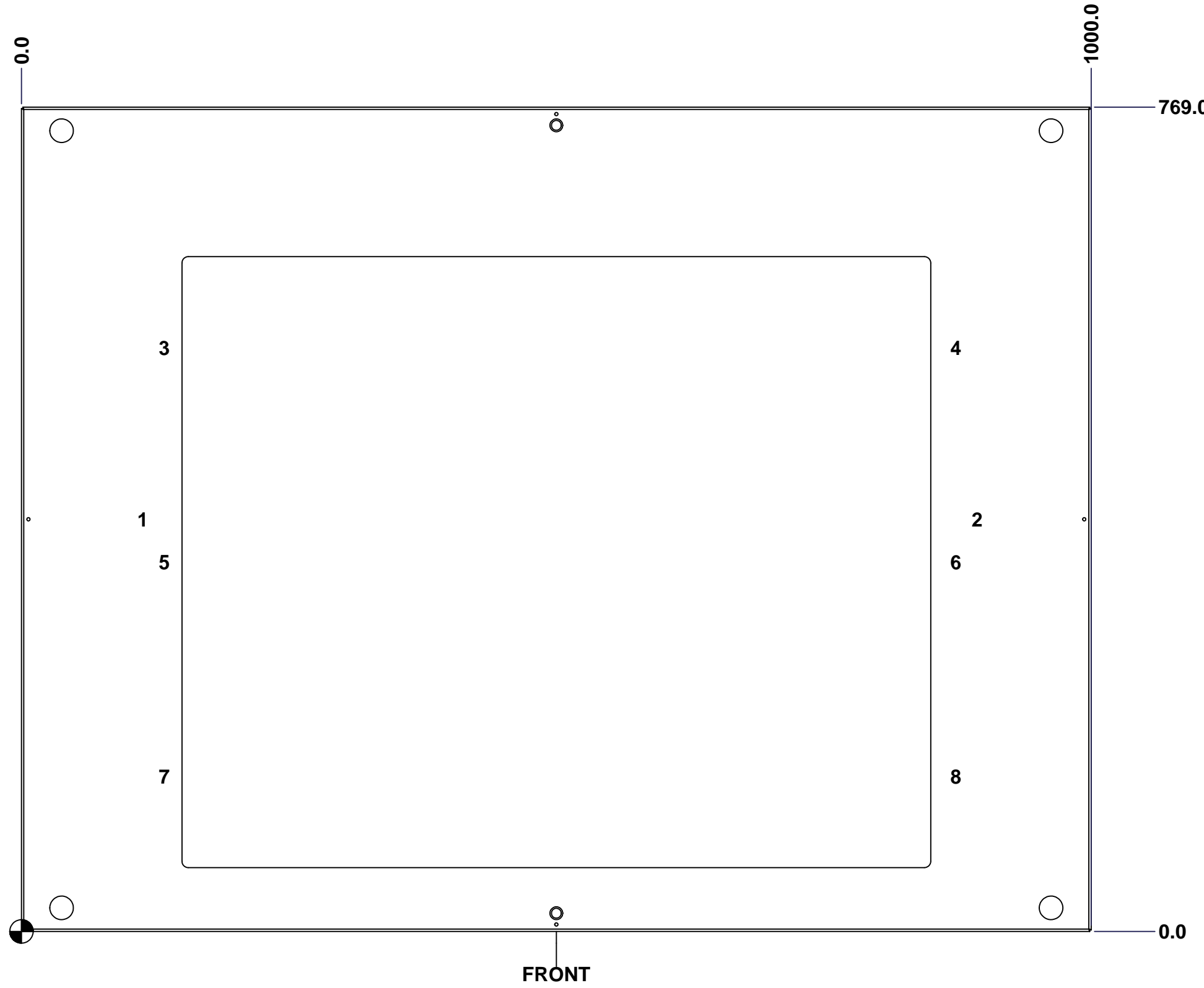
This drawing is confidential and must not be reproduced or used without the consent of EXM

Ce dessin est confidentiel et ne doit pas être reproduit ou utilisé sans le consentement de EXM

**STANDARD FEATURES ARE NOT LISTED IN THIS HOLE TABLE**

**HOLE TABLE - FRONT VIEW (CUSTOM FEATURE ONLY)**

CUT-OUT	XDIM	YDIM	DESCRIPTION
1	110.0	384.5	GND STUD M6 x 16mm (Inside)
2	890.0	384.5	GND STUD M6 x 16mm (Inside)
3	130.0	544.5	GP STUD M6 x 10mm (Inside)
4	870.0	544.5	GP STUD M6 x 10mm (Inside)
5	130.0	344.5	GP STUD M6 x 10mm (Inside)
6	870.0	344.5	GP STUD M6 x 10mm (Inside)
7	130.0	144.5	GP STUD M6 x 10mm (Inside)
8	870.0	144.5	GP STUD M6 x 10mm (Inside)

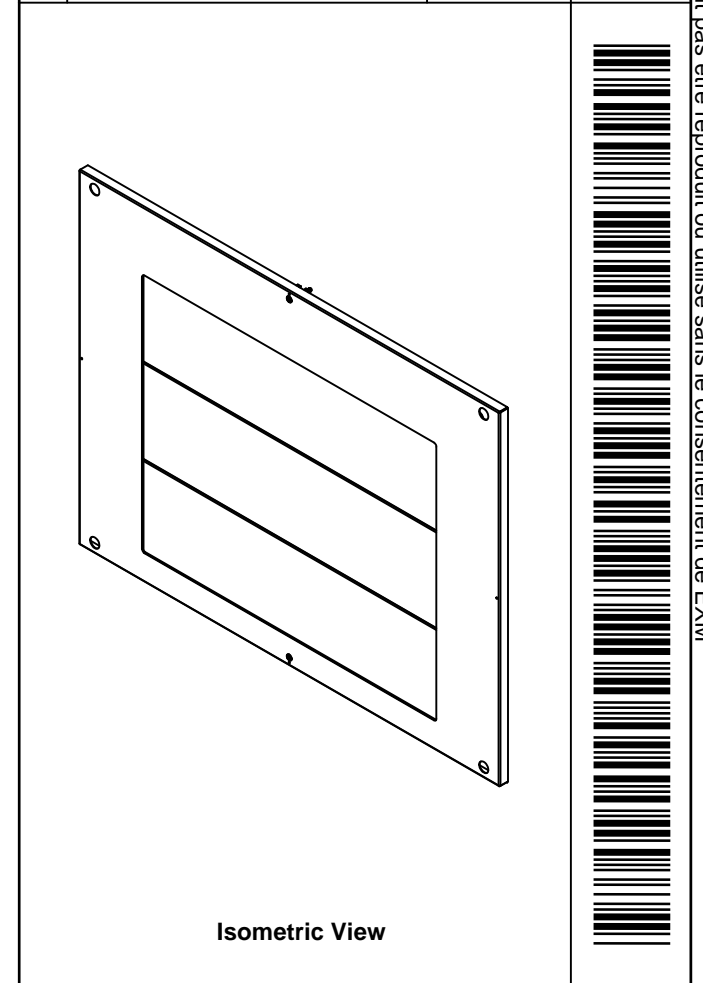


	Description	Status
	6500 MXB 1000mm x 800mm Bottom	(NULL)
	Part Number Numéro Pièce	Rev.
	<b>6500MXK201008BT</b>	<b>0</b>
		2
		3

This drawing is confidential and must not be reproduced or used without the consent of EXM


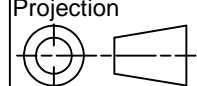
Ce dessin est confidentiel et ne doit pas être reproduit ou utilisé sans le consentement de EXM

No.	Revisions	Date	By/Par



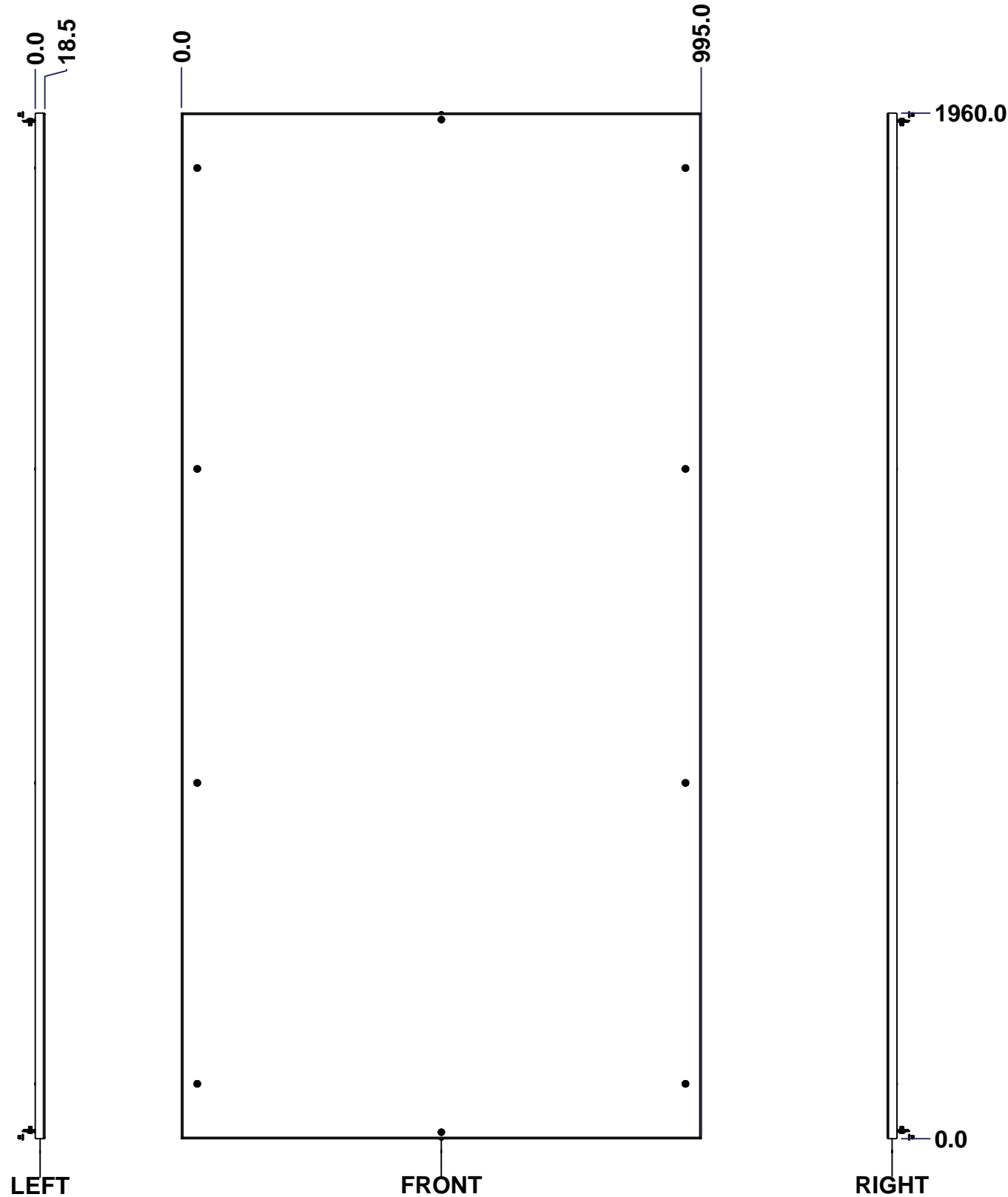
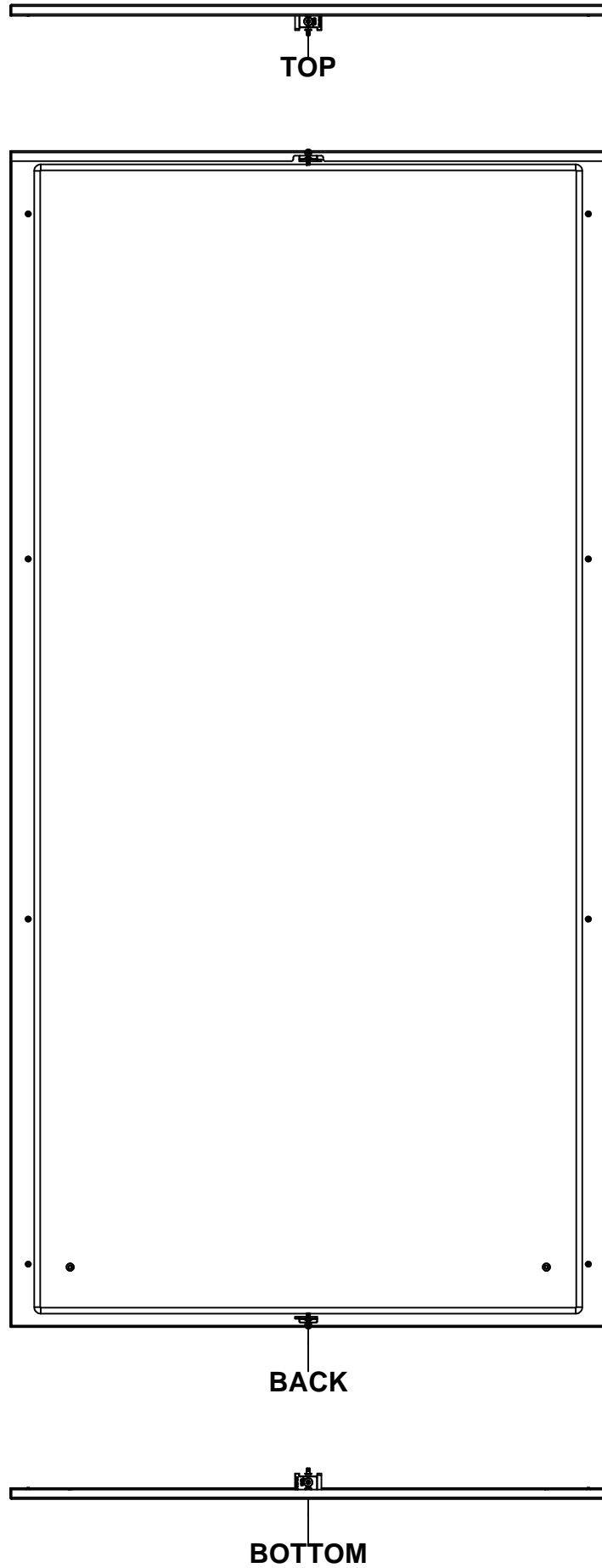
Qty	Part Number	Rev	Description
1	STK-P-03810R	0	Powder Paint (Iron Grey / Rough Textured)
6	STK-Q-06001	0	Mtrx - Gland Plate M6 Plastic Thumb Nut
2	STK-Q-16055	1	M6 x 18mm Stud (No Paint Cap Required)
2	STK-Q-77120	1	6500MX-Frame Rubber Plug
2	STK-Q-03072	2	M6 x 17mm Phillips Flat Head Screw
3	6500MXK201008GP200-P	0	6500 MXB 1000mm Gland Plate Part (200mm)
6	STK-Q-16031	0	M6 x 10mm Stud (No Paint Cap Required)
1	6500MXK201008BTGPG	0	6500 MXB 1000mm x 800mm Bottom Gland Plate Gasket
1	6500MXK201008BTG	0	6500 MXB 1000mm x 800mm Bottom Gasket
1	6500MXK201008BT-P	0	6500 MXB 1000mm x 800mm Bottom Part
2	STK-K-11010	3	Partial Fixed Bracket Kit

Parts List

		Tél: (450) 979-4373 Fax: (450) 979-4626 <a href="http://www.exmweb.com">www.exmweb.com</a>		Flatness Aplatissement Max 3.0mm Projection 	
Customer Client		Date		Date 08/08/2014	
Drawn By Dessiné Par		BoxCad: Annie		Date	
Material Matière		16 Ga H.R.P. & O. (1.4mm)			
Color Couleur		Iron Grey RAL7011		Finish Fini Rough Textured	
Description				Detail Rev.	
6500 MXB 1000mm x 800mm Bottom					
Part Number Numéro Pièce		Rev.		3	
<b>6500MXK201008BT</b>		<b>0</b>		<b>3</b>	

This drawing is confidential and must not be reproduced or used without the consent of EXM

Ce dessin est confidentiel et ne doit pas être reproduit ou utilisé sans le consentement de EXM



No.	Revisions	Date	By/Par

**Isometric View**

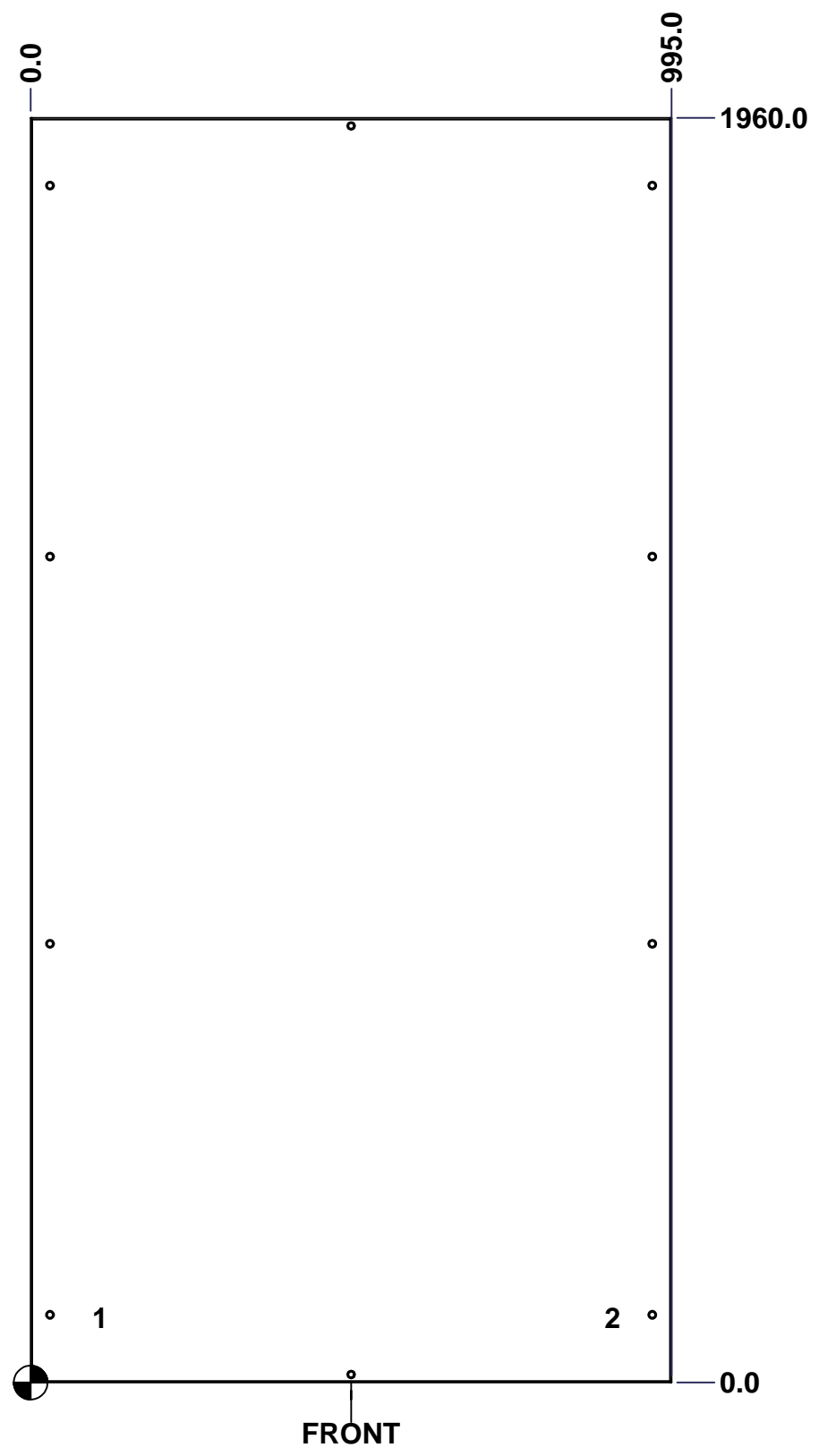
		Flatness Aplatissement Max 3.0mm Projection	
Tél: (450) 979-4373 Fax: (450) 979-4626 <a href="http://www.exmweb.com">www.exmweb.com</a>		Date	
Customer Client		Date 08/08/2014	
Drawn By Dessiné Par BoxCad: Annie		Date	
Material Matière 14 Ga H.R.P. & O. (1.7mm)		Finish Fini Rough Textured	
Color Couleur Light Grey RAL7035		Detail Rev.	
Description 6500 MXR 2000mm x 1000mm Back		Rev. 1 0 3	
Part Number Numéro Pièce <b>6500MXK201008B</b>		Rev. 1 0 3	

**SEE BILL OF MATERIAL ON LAST PAGE**

This drawing is confidential and must not be reproduced or used without the consent of EXM

Ce dessin est confidentiel et ne doit pas être reproduit ou utilisé sans le consentement de EXM

STANDARD FEATURES ARE NOT LISTED IN THIS HOLE TABLE			
HOLE TABLE - FRONT VIEW (CUSTOM FEATURE ONLY)			
CUT-OUT	XDIM	YDIM	DESCRIPTION
1	100.0	100.0	GND STUD M6 x 16mm (Inside)
2	895.0	100.0	GND STUD M6 x 16mm (Inside)

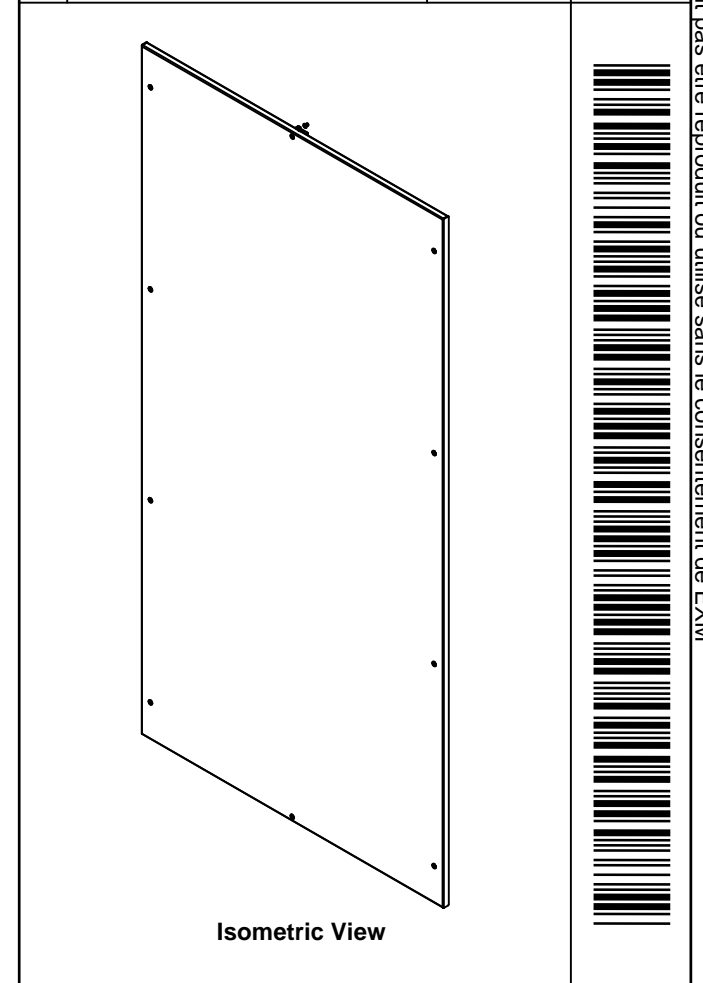


	Description	Status	
	6500 MXR 2000mm x 1000mm Back	(NULL)	
	Part Number Numéro Pièce	Rev.	
	<b>6500MXK201008B</b>	<b>0</b>	2 / 3

This drawing is confidential and must not be reproduced or used without the consent of EXM

Ce dessin est confidentiel et ne doit pas être reproduit ou utilisé sans le consentement de EXM

No.	Revisions	Date	By/Par



Tél: (450) 979-4373 Fax: (450) 979-4626 <a href="http://www.exmweb.com">www.exmweb.com</a>		Flatness Aplatissement	
		Max 3.0mm Projection	
Customer Client		Date	
Drawn By Dessiné Par BoxCad: Annie		Date 08/08/2014	
Material Matière 14 Ga H.R.P. & O. (1.7mm)			
Color Couleur Light Grey RAL7035		Finish Fini Rough Textured	
Description 6500 MXR 2000mm x 1000mm Back			Detail Rev.
Part Number Numéro Pièce <b>6500MXK201008B</b>			Rev. 3

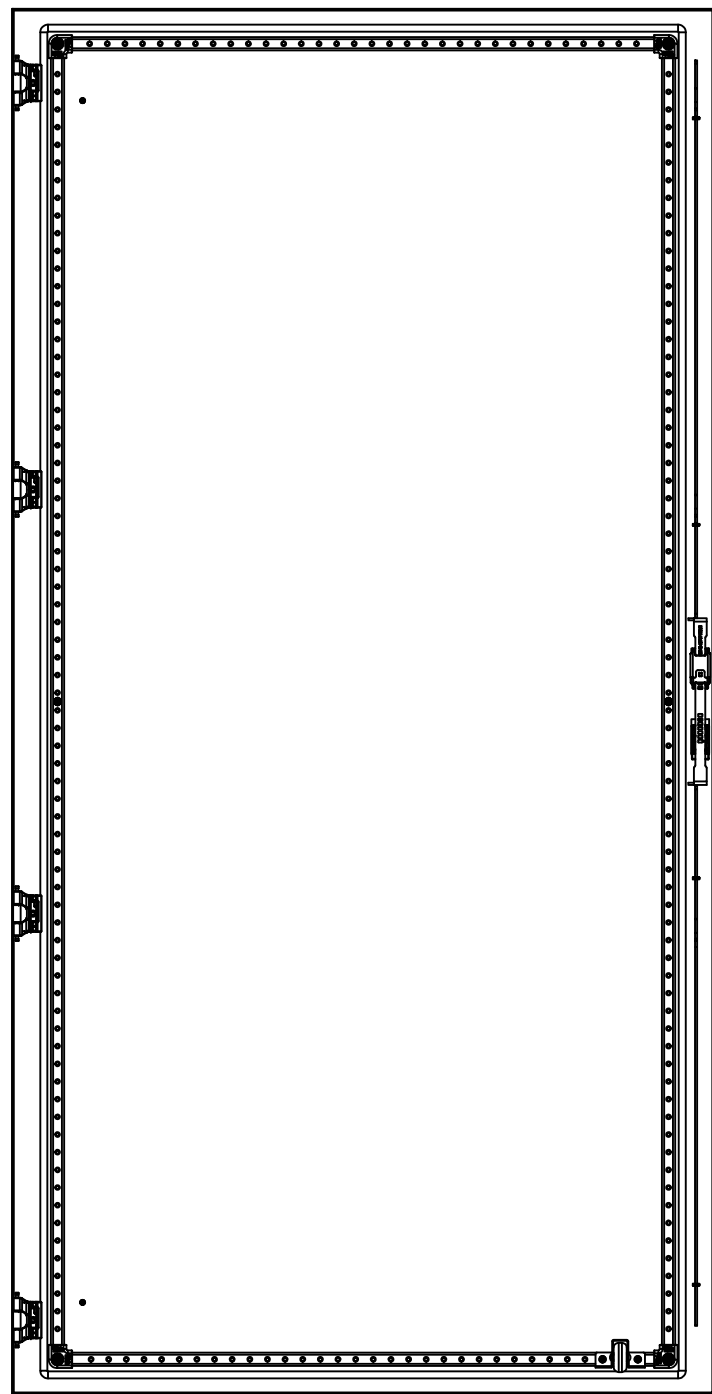
Qty	Part Number	Rev	Description
1	STK-P-03820R	0	Powder Paint (Light Grey / Rough Textured)
2	STK-Q-77120	1	6500MX-Frame Rubber Plug
10	STK-Q-03072	2	M6 x 17mm Phillips Flat Head Screw
2	STK-Q-16080	0.1.1	M6 x 16mm Ground Stud
1	6500MXK201008BG	0	6500 MXR 2000mm x 1000mm Back Gasket
1	6500MXK201008B-P	0	6500 MXR 2000mm x 1000mm Back Part
2	STK-K-11010	3	Partial Fixed Bracket Kit
Parts List			

This drawing is confidential and must not be reproduced or used without the consent of EXM

Ce dessin est confidentiel et ne doit pas être reproduit ou utilisé sans le consentement de EXM



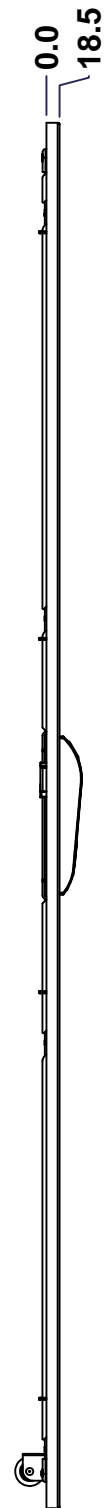
TOP



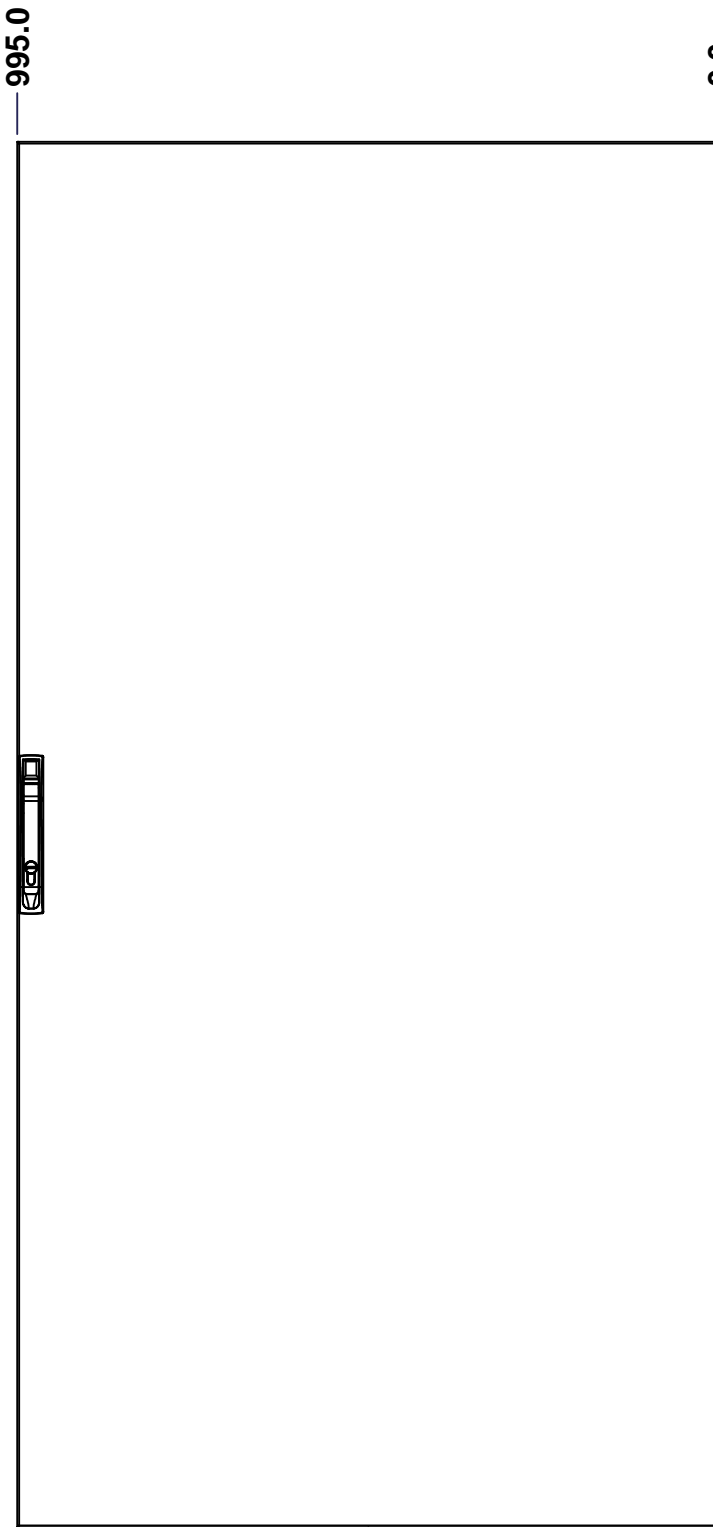
BACK



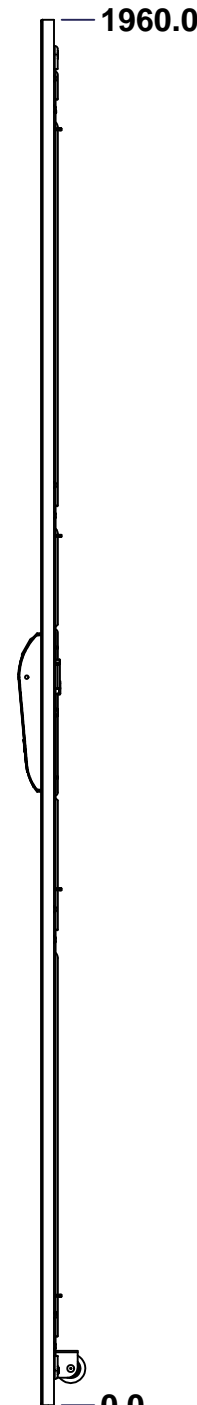
BOTTOM



LEFT

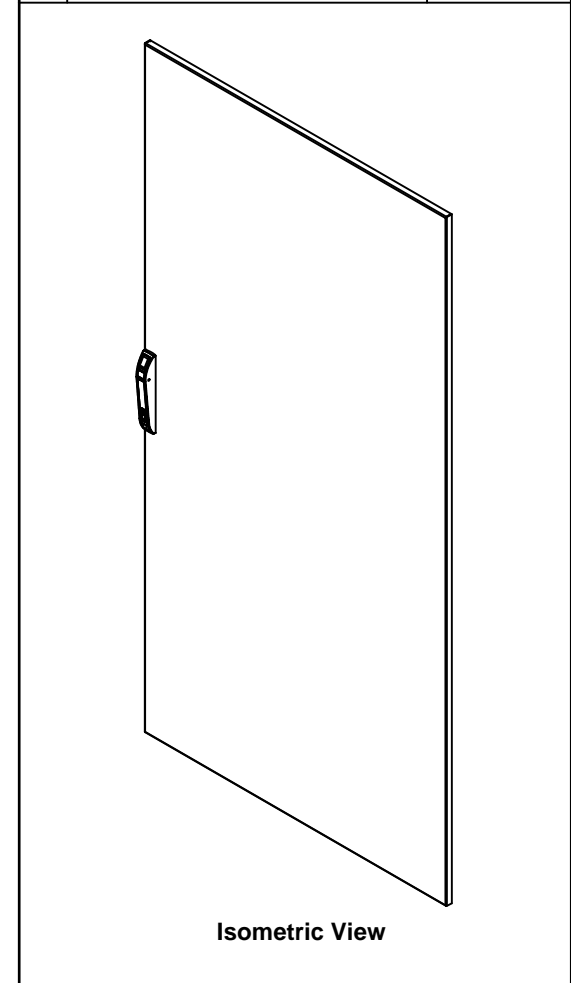


FRONT




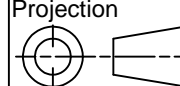
RIGHT

No.	Revisions	Date	By/Par



Isometric View



 Tél: (450) 979-4373 Fax: (450) 979-4626 <a href="http://www.exmweb.com">www.exmweb.com</a>		Flatness Aplatissement Max 3.0mm Projection 
Customer Client	Date	
Drawn By Dessiné Par	BoxCad: Annie	Date 08/08/2014
Material Matière	14 Ga H.R.P. & O. (1.7mm)	
Color Couleur	Light Grey RAL7035	Finish Fini Rough Textured
Description	Detail Rev.	
6500 MXD 2000mm x 1000mm Front		
Part Number Numéro Pièce	Rev.	1 3
<b>6500MXK201008F</b>	<b>0</b>	

SEE BILL OF MATERIAL ON LAST PAGE

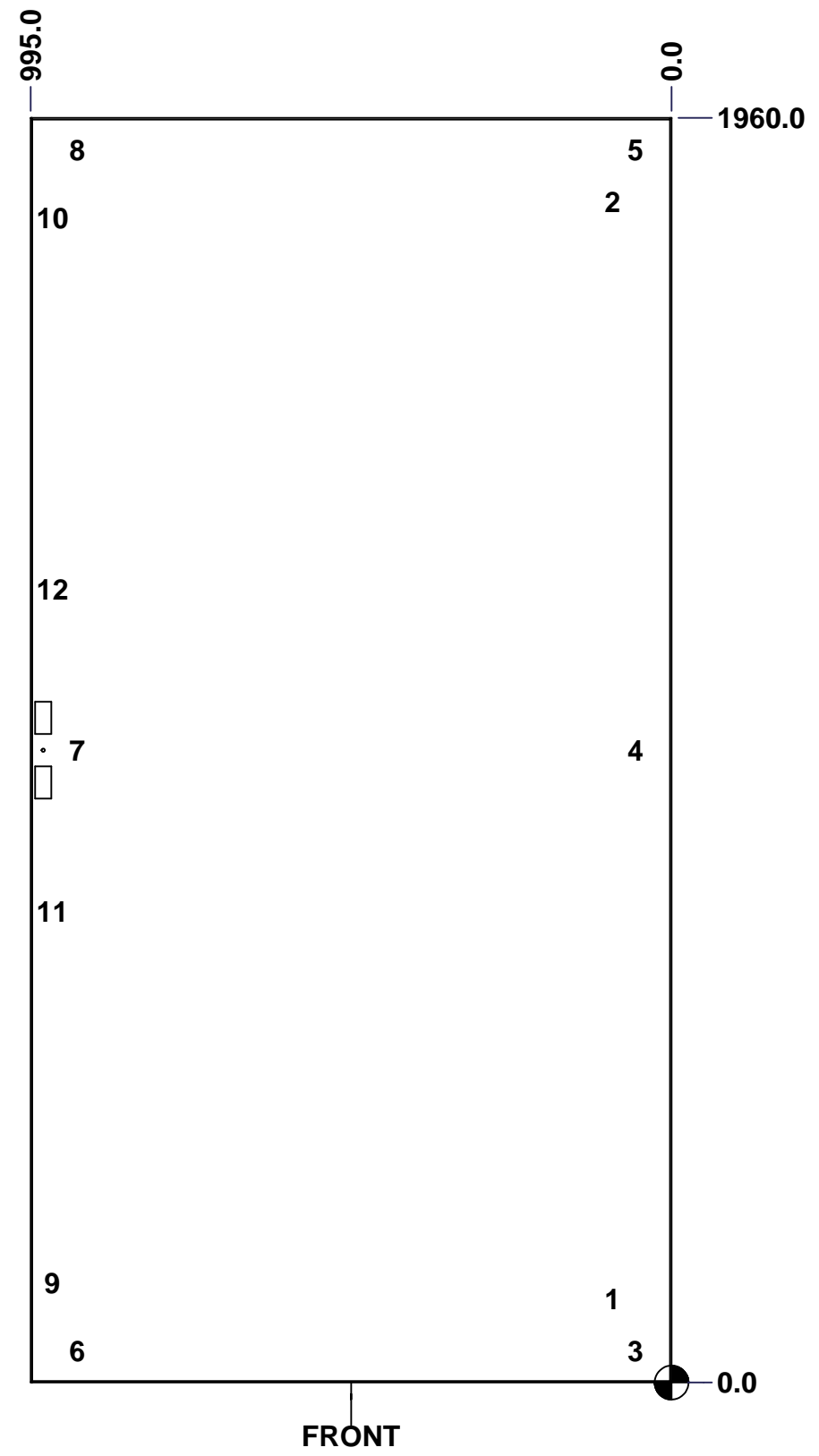
This drawing is confidential and must not be reproduced or used without the consent of EXM

Ce dessin est confidentiel et ne doit pas être reproduit ou utilisé sans le consentement de EXM

**STANDARD FEATURES ARE NOT LISTED IN THIS HOLE TABLE**

**HOLE TABLE - FRONT VIEW (CUSTOM FEATURE ONLY)**

CUT-OUT	XDIM	YDIM	DESCRIPTION
1	100.0	130.0	GND STUD M6 x 16mm (Inside)
2	100.0	1830.0	GND STUD M6 x 16mm (Inside)
3	64.5	49.5	STIFF. STUD M6 x 18mm (Inside)
4	64.5	980.0	STIFF. STUD M6 x 18mm (Inside)
5	64.5	1910.5	STIFF. STUD M6 x 18mm (Inside)
6	930.5	49.5	STIFF. STUD M6 x 18mm (Inside)
7	930.5	980.0	STIFF. STUD M6 x 18mm (Inside)
8	930.5	1910.5	STIFF. STUD M6 x 18mm (Inside)
9	969.5	155.0	CLOSING BAR GUIDE (Inside)
10	969.5	1805.0	CLOSING BAR GUIDE (Inside)
11	969.5	730.0	CLOSING BAR GUIDE (Inside)
12	969.5	1230.0	CLOSING BAR GUIDE (Inside)

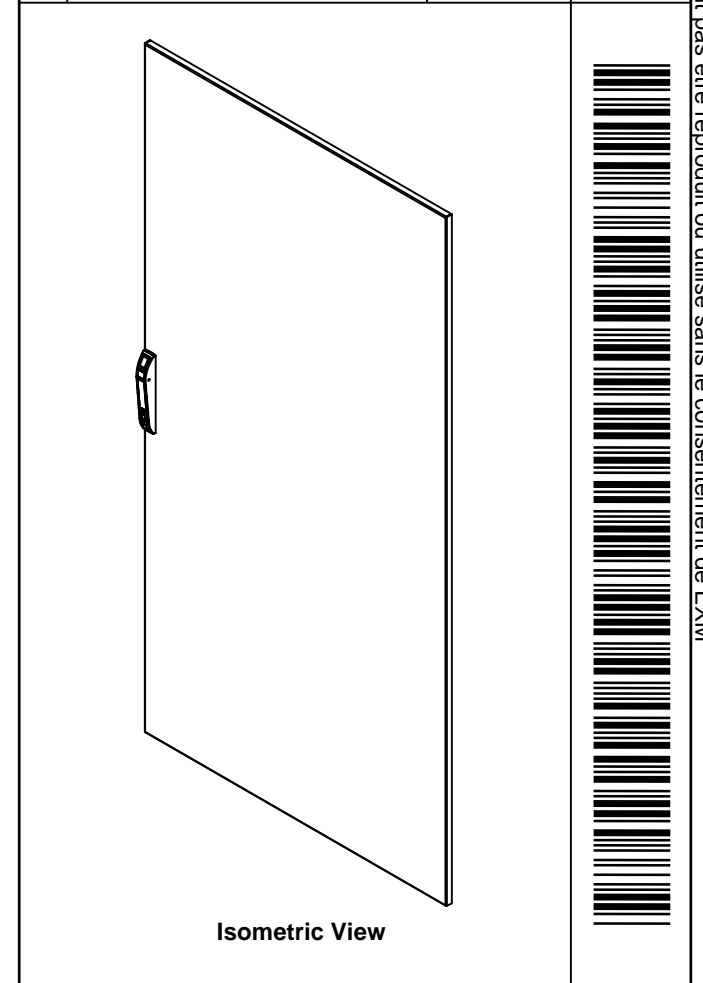


	Description	Status
	6500 MXD 2000mm x 1000mm Front	(NULL)
	Part Number Numéro Pièce	Rev.
	<b>6500MXK201008F</b>	<b>0</b> / 2 / 3


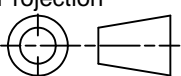
This drawing is confidential and must not be reproduced or used without the consent of EXM

Ce dessin est confidentiel et ne doit pas être reproduit ou utilisé sans le consentement de EXM

No.	Revisions	Date	By/Par



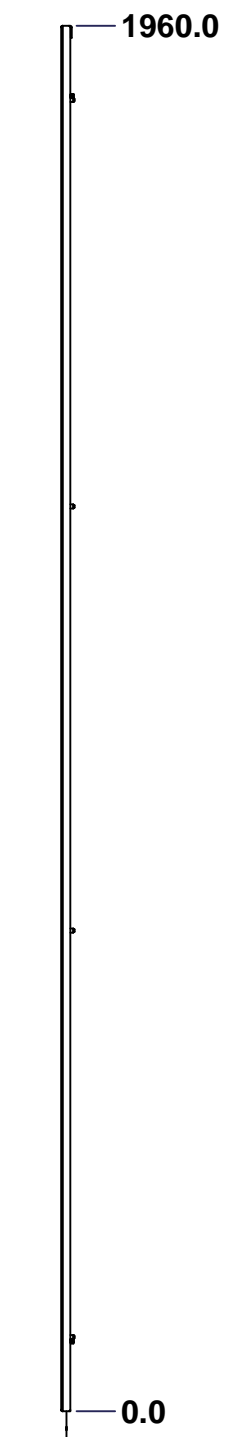
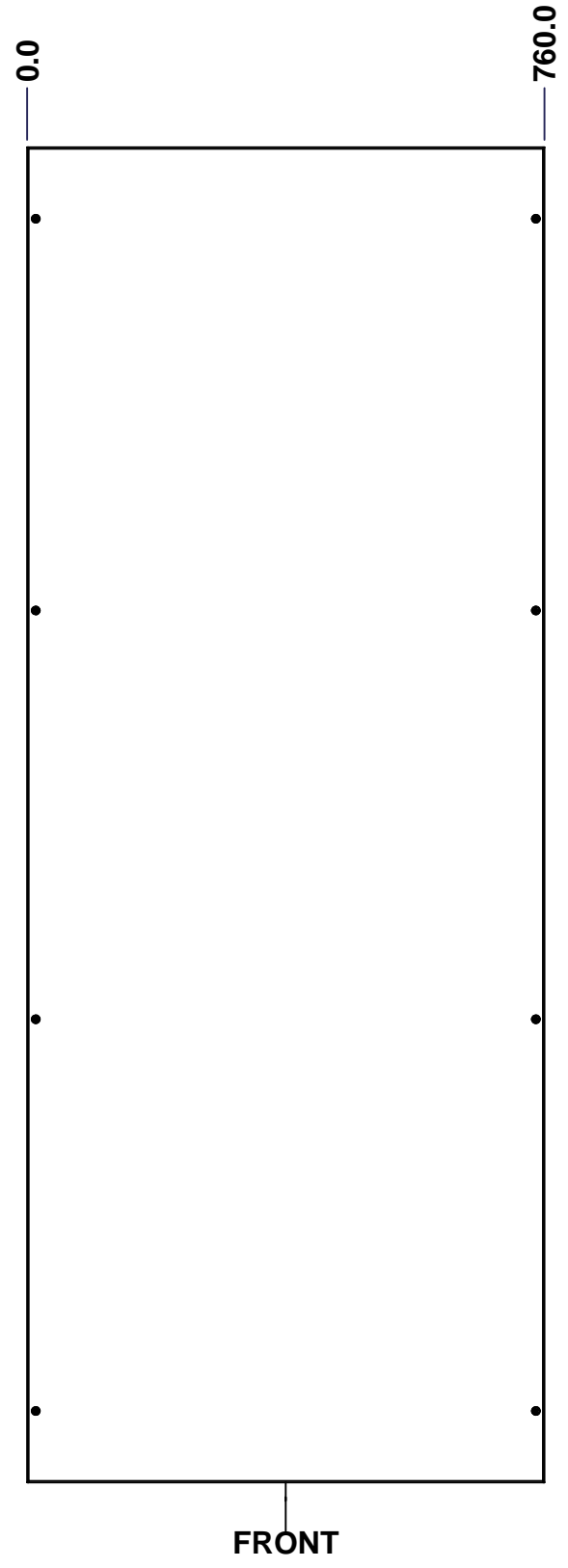
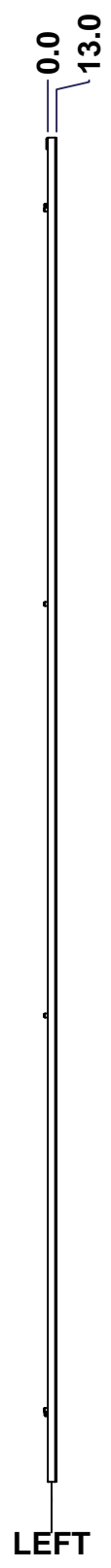
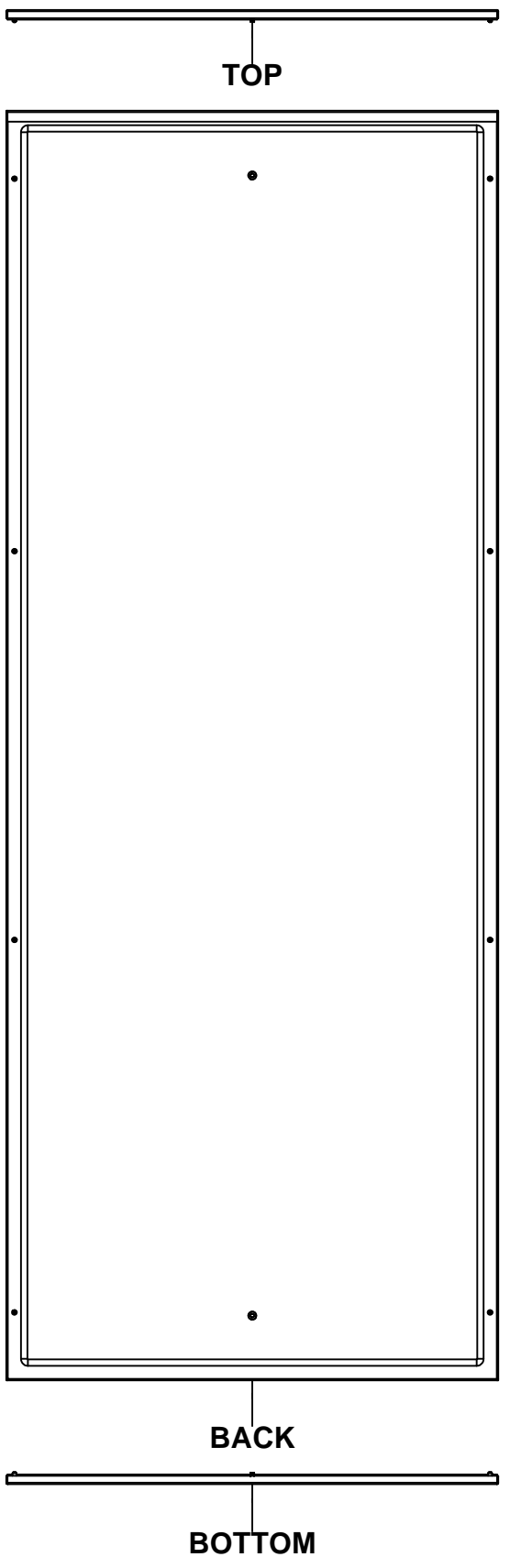
1	STK-P-03820R	0	Powder Paint (Light Grey / Rough Textured)
1	6500MXSRK	1	6500 MXRSK Door Support Roller
4	STK-Q-78022	0	Mtrx Closing Bar Slider
1	STK-Q-45746-20	1	6500 MXD - Lock Door Closing Bar
4	STK-Q-33105	4	5412 ESBU Buttable Hinge (Cover Part)
1	STK-Q-45729-20	2	6500 MXD - Lock Door Top Closing Bar
1	886PHD-S	4	Euroform Pull Handle Kit
8	STK-Q-16055	1	M6 x 18mm Stud (No Paint Cap Required)
1	6500MXK201008DS1	5	6500 MX 2000mm x 1000mm Door Stiffener
1	6500MXK201008FG	0	6500 MXD 2000mm x 1000mm Front Gasket
1	6500MXK201008F-P	0	6500 MXD 2000mm x 1000mm Front Part
4	STK-K-06811	1	6500 MX - Hinge Assy
Qty	Part Number	Rev	Description
Parts List			

 Tél: (450) 979-4373 Fax: (450) 979-4626 <a href="http://www.exmweb.com">www.exmweb.com</a>		Flatness Aplatissement Max 3.0mm Projection 
Customer Client	Date	
Drawn By Dessiné Par	BoxCad: Annie	Date 08/08/2014
Material Matière	14 Ga H.R.P. & O. (1.7mm)	
Color Couleur	Light Grey RAL7035	Finish Fin Rough Textured
Description	6500 MXD 2000mm x 1000mm Front	
Part Number Numéro Pièce	Rev. 0	3 / 3
<b>6500MXK201008F</b>		



This drawing is confidential and must not be reproduced or used without the consent of EXM

Ce dessin est confidentiel et ne doit pas être reproduit ou utilisé sans le consentement de EXM



No.	Revisions	Date	By/Par

**Isometric View**

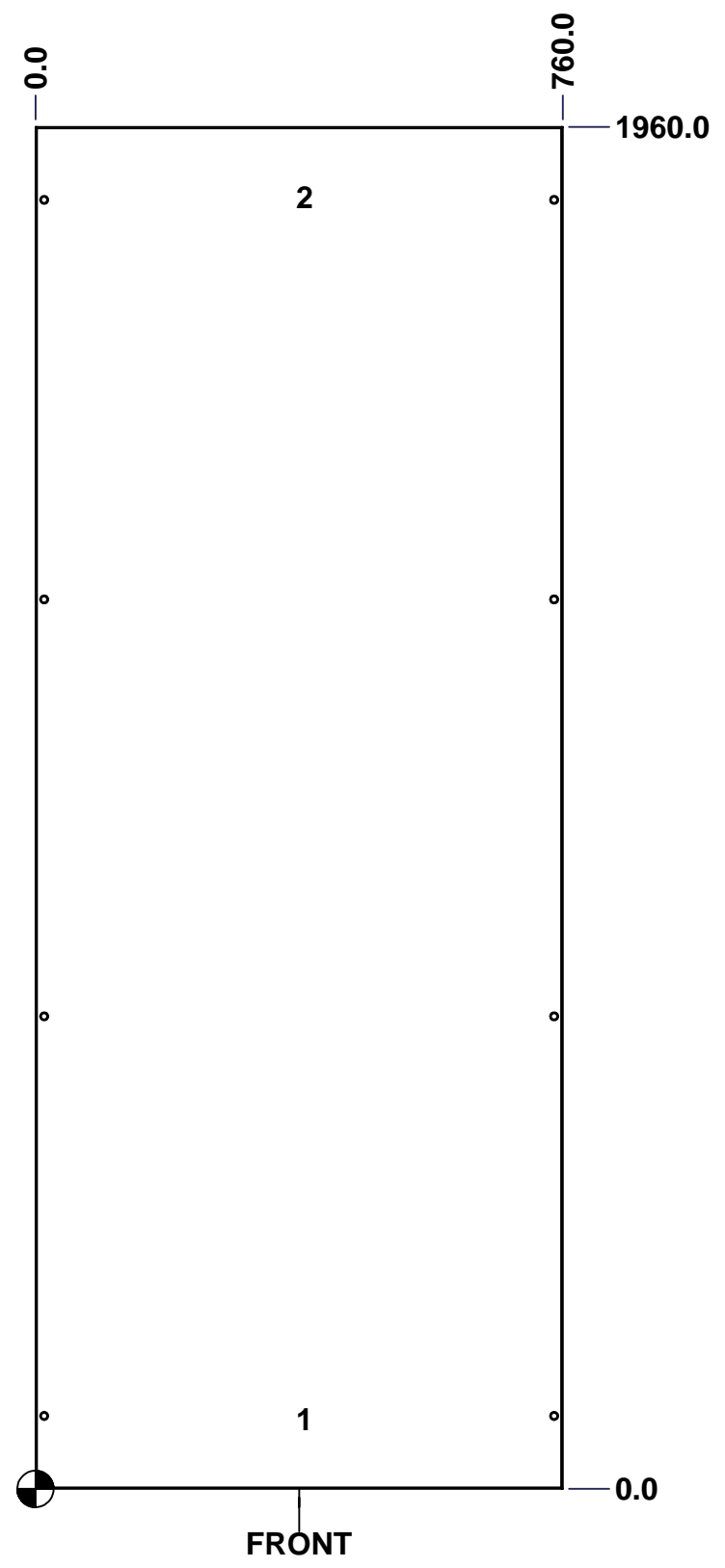
Tél: (450) 979-4373 Fax: (450) 979-4626 <a href="http://www.exmweb.com">www.exmweb.com</a>		Flatness Aplatissement	
		Max 3.0mm	
Customer Client		Projection	
Date			
Drawn By Dessiné Par		Date	
BoxCad: Annie		08/08/2014	
Material Matière		16 Ga H.R.P. & O. (1.4mm)	
Color Couleur		Finish Fin	
Light Grey RAL7035		Rough Textured	
Description		Detail Rev.	
6500 MXC 2000mm x 800mm Left			
Part Number Numéro Pièce		Rev.	
6500MXK201008L		0	
		1	
		3	

**SEE BILL OF MATERIAL ON LAST PAGE**

This drawing is confidential and must not be reproduced or used without the consent of EXM

Ce dessin est confidentiel et ne doit pas être reproduit ou utilisé sans le consentement de EXM

STANDARD FEATURES ARE NOT LISTED IN THIS HOLE TABLE			
HOLE TABLE - FRONT VIEW (CUSTOM FEATURE ONLY)			
CUT-OUT	XDIM	YDIM	DESCRIPTION
1	380.0	100.0	GND STUD M6 x 16mm (Inside)
2	380.0	1860.0	GND STUD M6 x 16mm (Inside)

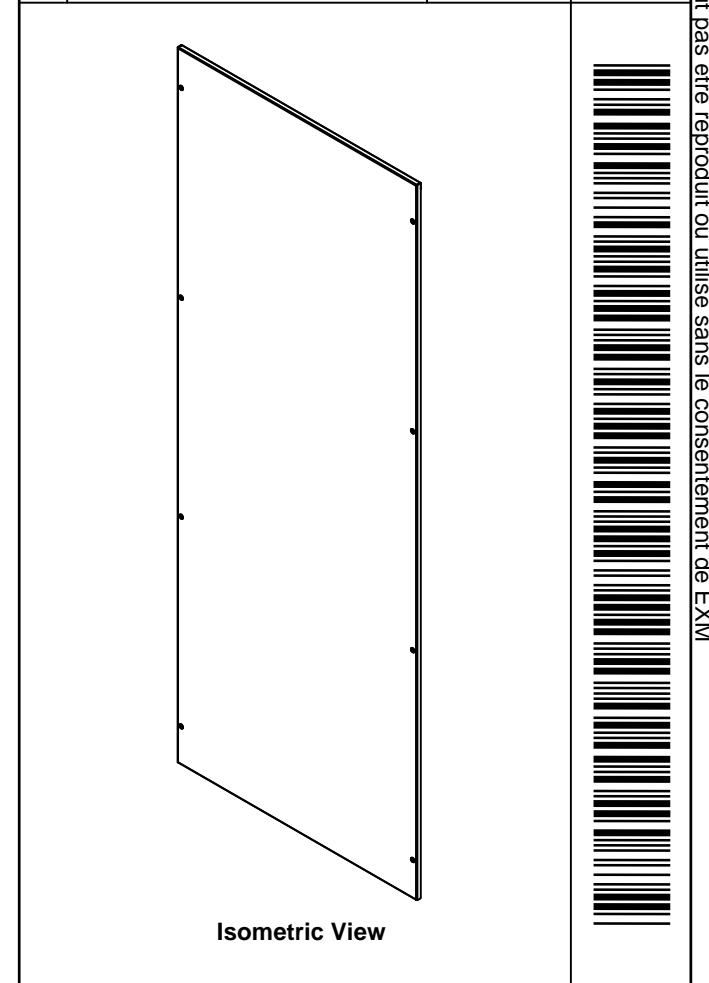



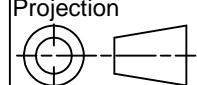
	Description	Status
	6500 MXC 2000mm x 800mm Left	(NULL)
	Part Number Numéro Pièce	Rev.
	<b>6500MXK201008L</b>	<b>0</b>
		2
		3

This drawing is confidential and must not be reproduced or used without the consent of EXM

Ce dessin est confidentiel et ne doit pas être reproduit ou utilisé sans le consentement de EXM

No.	Revisions	Date	By/Par

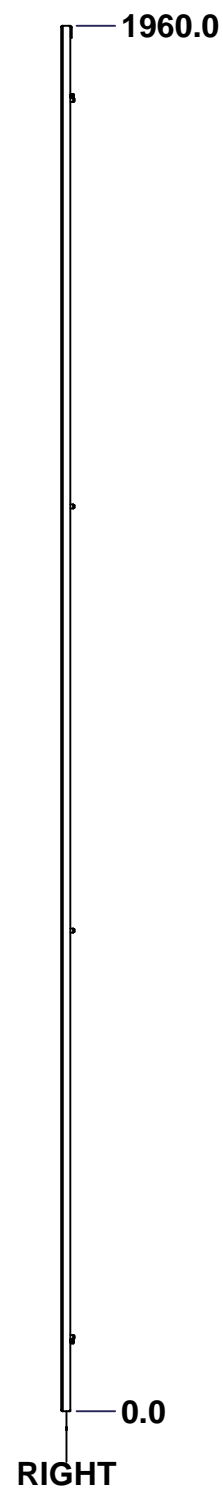
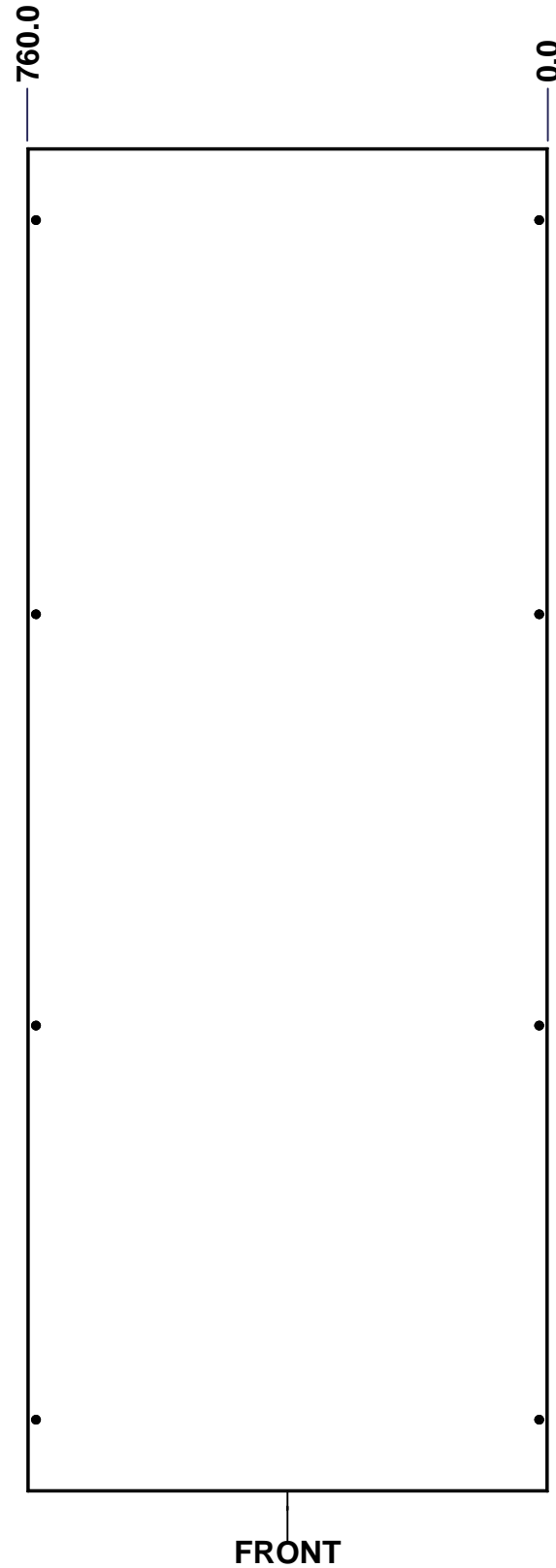
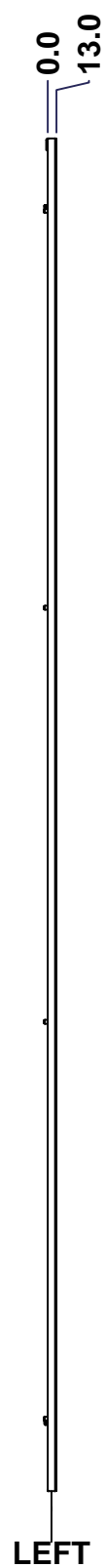
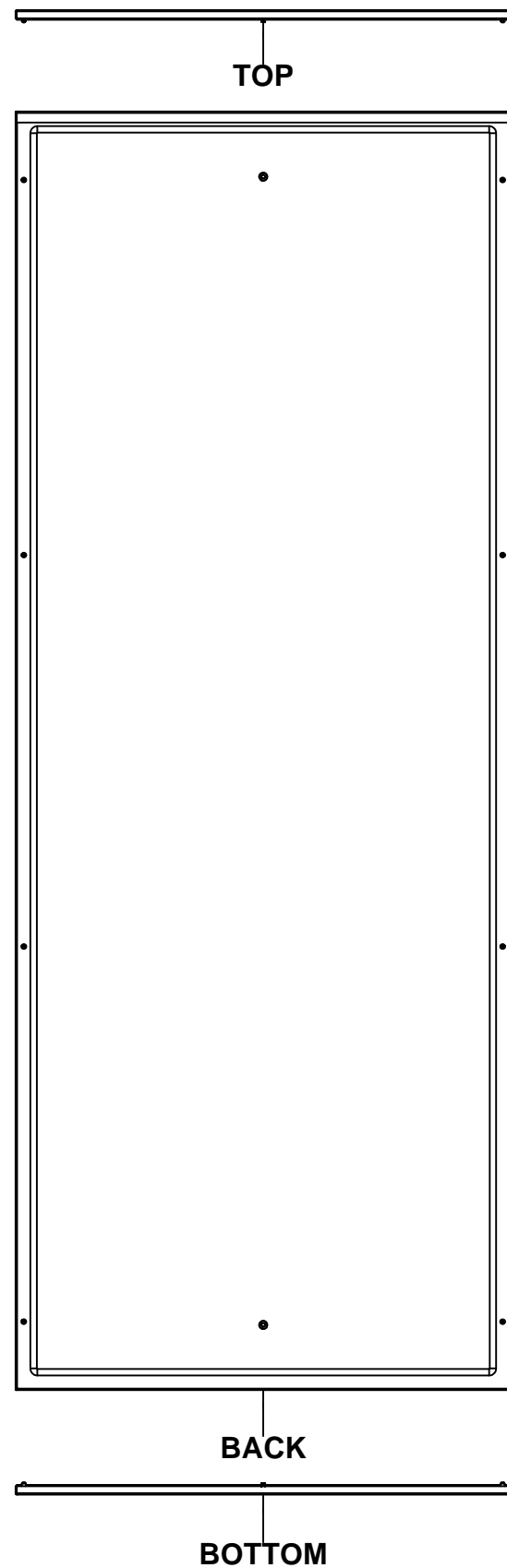


 Tél: (450) 979-4373 Fax: (450) 979-4626 <a href="http://www.exmweb.com">www.exmweb.com</a>		Flatness Aplatissement Max 3.0mm Projection 
Customer Client	Date	
Drawn By Dessiné Par	BoxCad: Annie	Date 08/08/2014
Material Matière	16 Ga H.R.P. & O. (1.4mm)	
Color Couleur	Light Grey RAL7035	Finish Fini Rough Textured
Description	Detail Rev.	
6500 MXC 2000mm x 800mm Left		
Part Number Numéro Pièce	Rev. 0	3
<b>6500MXK201008L</b>		3

Qty	Part Number	Rev	Description
1	STK-P-03820R	0	Powder Paint (Light Grey / Rough Textured)
8	STK-Q-03072	2	M6 x 17mm Phillips Flat Head Screw
2	STK-Q-16080	0.1.1	M6 x 16mm Ground Stud
1	6500MXK201008LG	0	6500 MXC 2000mm x 800mm Left Gasket
1	6500MXK201008L-P	0	6500 MXC 2000mm x 800mm Left Part
Parts List			

This drawing is confidential and must not be reproduced or used without the consent of EXM

Ce dessin est confidentiel et ne doit pas être reproduit ou utilisé sans le consentement de EXM



No.	Revisions	Date	By/Par

**Isometric View**

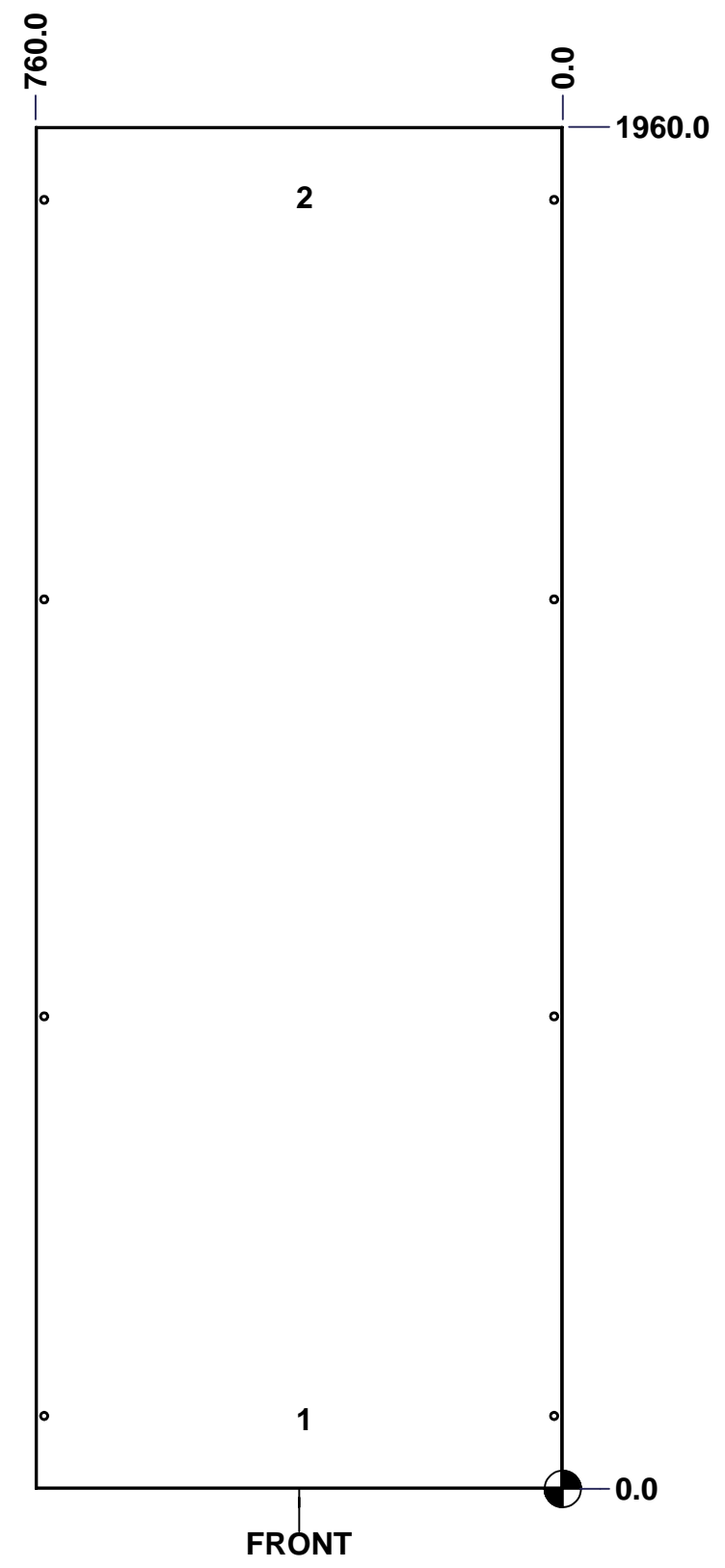
		Flatness Aplatissement Max 3.0mm Projection 	
Tél: (450) 979-4373 Fax: (450) 979-4626 <a href="http://www.exmweb.com">www.exmweb.com</a>		Customer Client Date	
Drawn By Dessiné Par: BoxCad: Annie		Date: 08/08/2014	
Material Matière: 16 Ga H.R.P. & O. (1.4mm)		Finish Fin: Rough Textured	
Description 6500 MXC 2000mm x 800mm Right		Detail Rev.	
Part Number Numéro Pièce: <b>6500MXK201008R</b>		Rev. <b>0</b>	1 3

**SEE BILL OF MATERIAL ON LAST PAGE**

This drawing is confidential and must not be reproduced or used without the consent of EXM

Ce dessin est confidentiel et ne doit pas être reproduit ou utilisé sans le consentement de EXM

STANDARD FEATURES ARE NOT LISTED IN THIS HOLE TABLE			
HOLE TABLE - FRONT VIEW (CUSTOM FEATURE ONLY)			
CUT-OUT	XDIM	YDIM	DESCRIPTION
1	380.0	100.0	GND STUD M6 x 16mm (Inside)
2	380.0	1860.0	GND STUD M6 x 16mm (Inside)

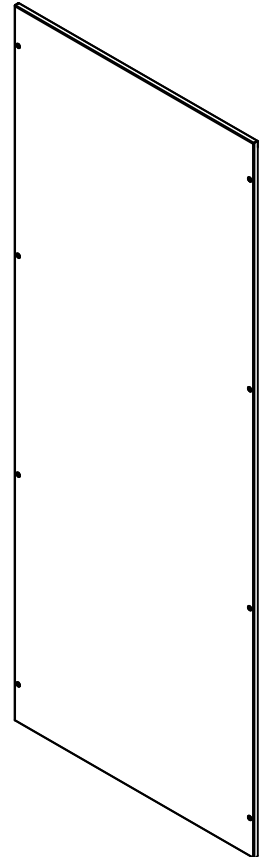


	Description	Status	
	6500 MXC 2000mm x 800mm Right	(NULL)	
	Part Number Numéro Pièce	Rev.	
	<b>6500MXK201008R</b>	<b>0</b>	2 / 3


This drawing is confidential and must not be reproduced or used without the consent of EXM


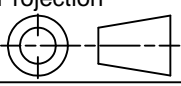
Ce dessin est confidentiel et ne doit pas être reproduit ou utilisé sans le consentement de EXM

No.	Revisions	Date	By/Par



**Isometric View**

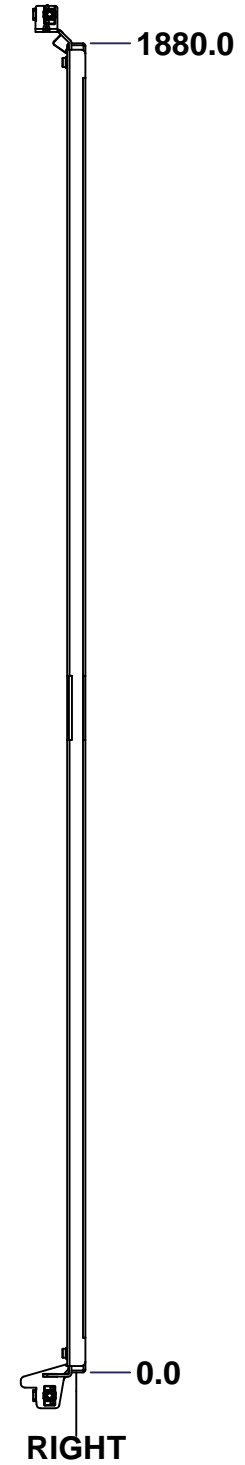
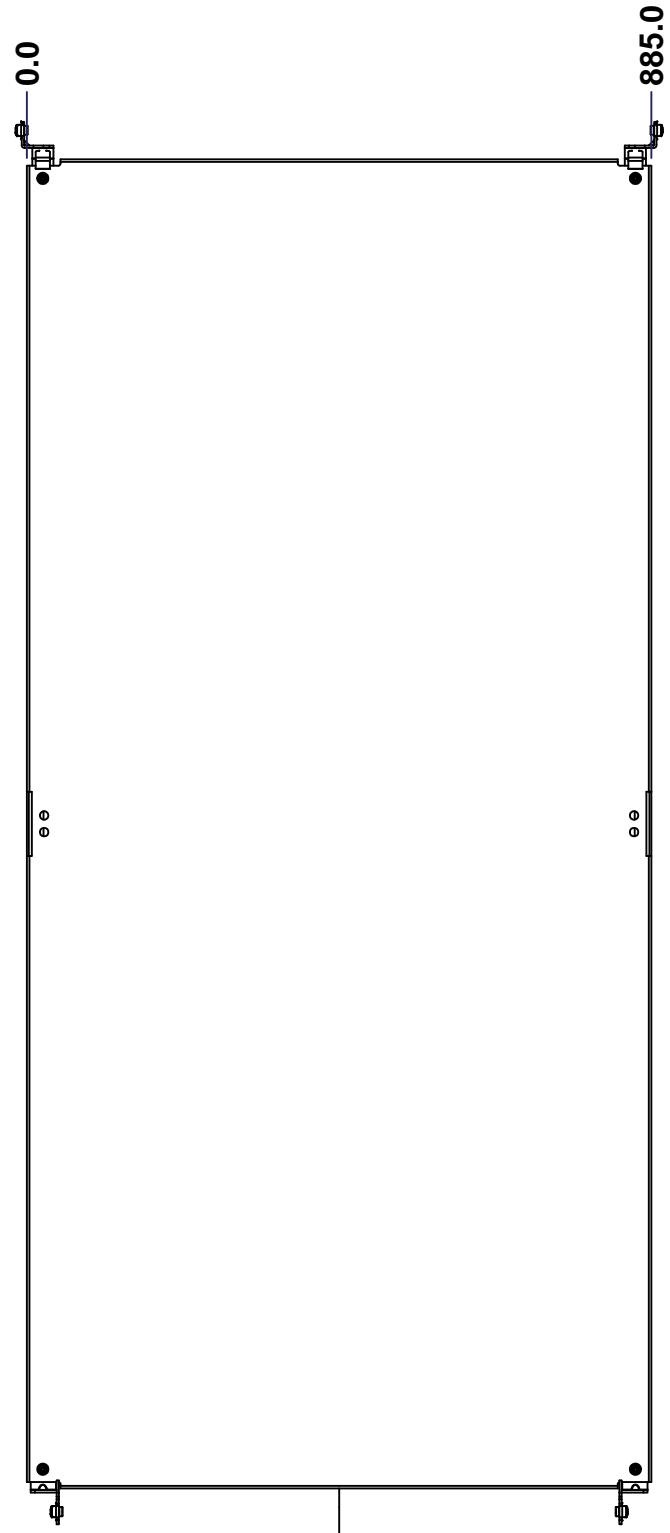
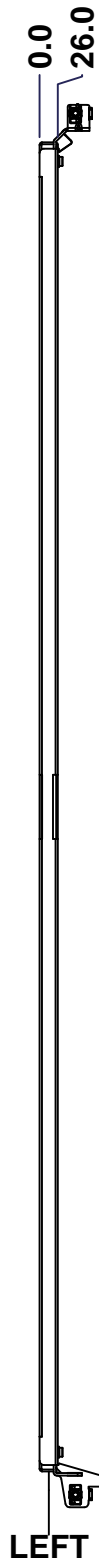
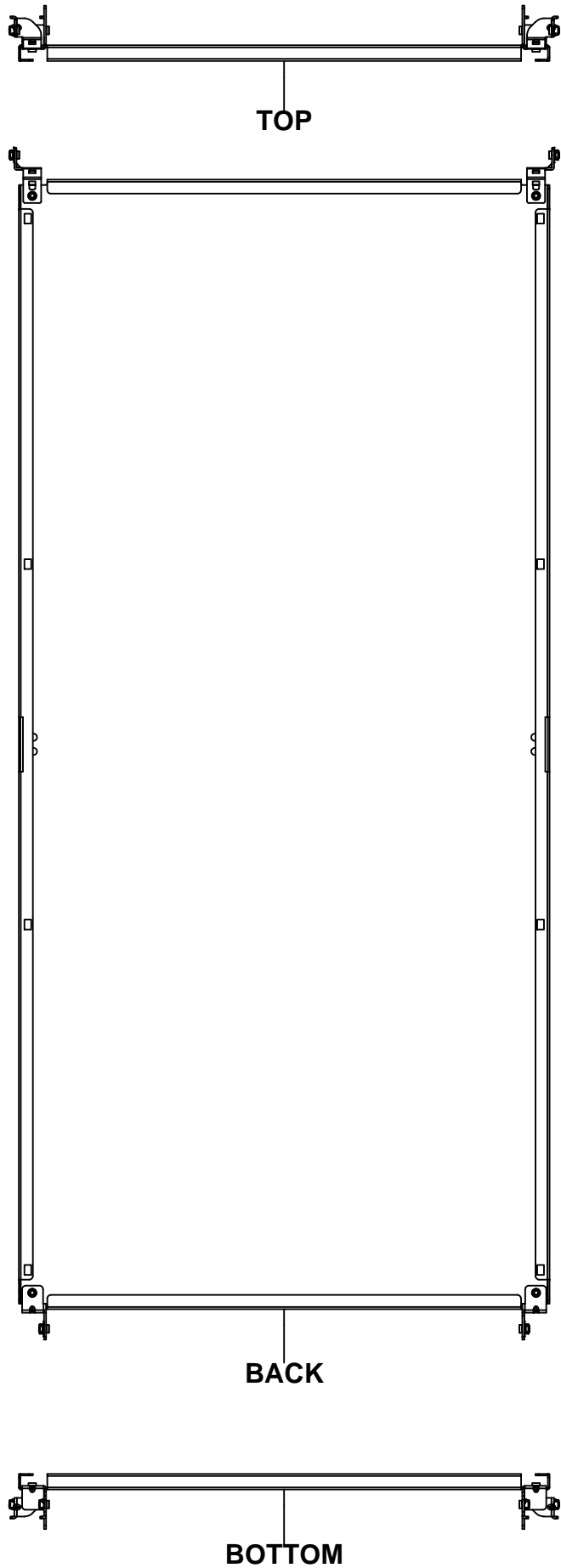


		Tél: (450) 979-4373 Fax: (450) 979-4626 <a href="http://www.exmweb.com">www.exmweb.com</a>		Flatness Aplatissement Max 3.0mm	
Customer Client		Date		Projection 	
Drawn By / Dessiné Par: BoxCad: Annie		Date: 08/08/2014			
Material / Matière: 16 Ga H.R.P. & O. (1.4mm)					
Color / Couleur: Light Grey RAL7035		Finish / Fini: Rough Textured		Detail Rev.	
Description: 6500 MXC 2000mm x 800mm Right				Detail Rev.	
Part Number / Numéro Pièce: <b>6500MXK201008R</b>				Rev.:	3
				<b>0</b>	3

Qty	Part Number	Rev	Description
1	STK-P-03820R	0	Powder Paint (Light Grey / Rough Textured)
8	STK-Q-03072	2	M6 x 17mm Phillips Flat Head Screw
2	STK-Q-16080	0.1.1	M6 x 16mm Ground Stud
1	6500MXK201008RG	0	6500 MXC 2000mm x 800mm Right Gasket
1	6500MXK201008R-P	0	6500 MXC 2000mm x 800mm Right Part
Parts List			

This drawing is confidential and must not be reproduced or used without the consent of EXM

Ce dessin est confidentiel et ne doit pas être reproduit ou utilisé sans le consentement de EXM



No.	Revisions	Date	By/Par

Isometric View

Tél: (450) 979-4373 Fax: (450) 979-4626 <a href="http://www.exmweb.com">www.exmweb.com</a>		Flatness Aplatissement	
		Max 3.0mm	
Customer Client		Projection	
Date			
Drawn By Dessiné Par BoxCad: Annie		Date 08/08/2014	
Material Matière 12 Ga Galvanized (2.5mm)		Color Couleur Unpainted	
Finish Fini Unpainted		Description 6500 MXM 2000mm x 1000mm Back Inner Panel	
Detail Rev.		Part Number Numéro Pièce	
Rev. 0		1 3	

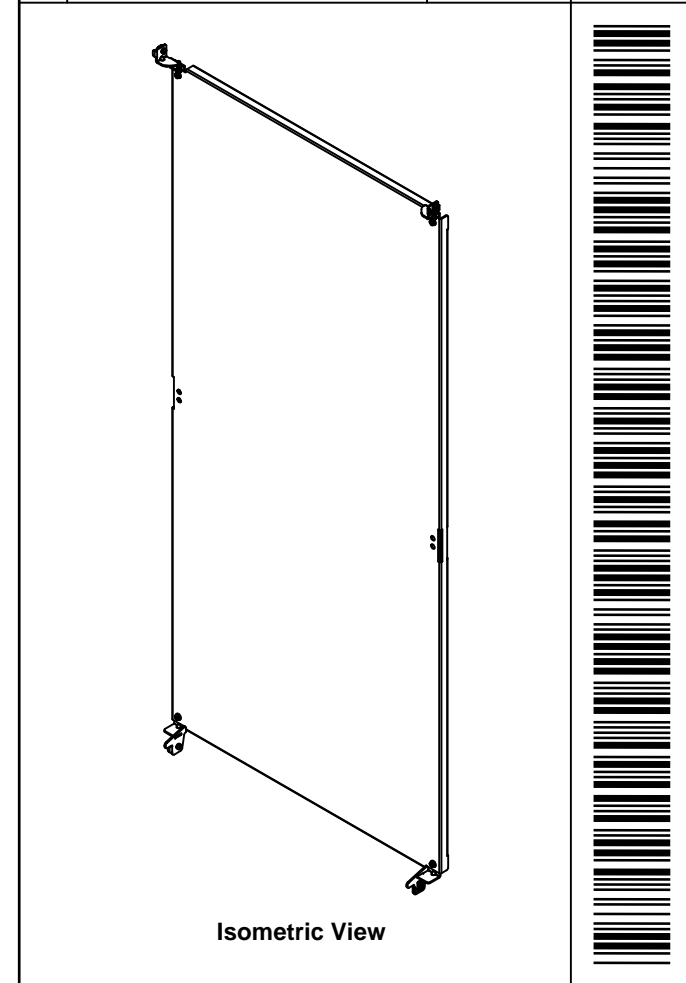
SEE BILL OF MATERIAL ON LAST PAGE


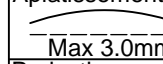
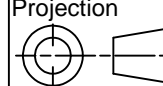
**6500MXK201008BIP**

This drawing is confidential and must not be reproduced or used without the consent of EXM

Ce dessin est confidentiel et ne doit pas être reproduit ou utilisé sans le consentement de EXM

No.	Revisions	Date	By/Par



 Tél: (450) 979-4373 Fax: (450) 979-4626 <a href="http://www.exmweb.com">www.exmweb.com</a>		Flatness Aplatissement  Max 3.0mm Projection 
Customer Client	Date	
Drawn By Dessiné Par	BoxCad: Annie	Date 08/08/2014
Material Matière	12 Ga Galvanized (2.5mm)	
Color Couleur	Unpainted	Finish Fini Unpainted
Description	Detail Rev.	
6500 MXM 2000mm x 1000mm Back Inner Panel		
Part Number Numéro Pièce	Rev. 0	3
<b>6500MXK201008BIP</b>		<b>3</b>

Qty	Part Number	Rev	Description
1	STK-A-49005	0	6500MXM - Bottom Inner Panel Support Kit (Right)
1	STK-A-49000	0	6500MXM - Bottom Inner Panel Support Kit (Left)
1	STK-A-49015	0	6500MXM - Top Inner Panel Support Kit (Right)
1	STK-A-49010	0	6500MXM - Top Inner Panel Support Kit (Left)
1	6500MXK201008BIP-P	0	6500 MXM 2000mm x 1000mm Back Inner Panel Part
Parts List			