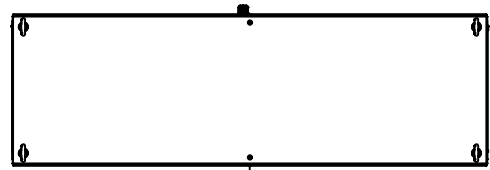
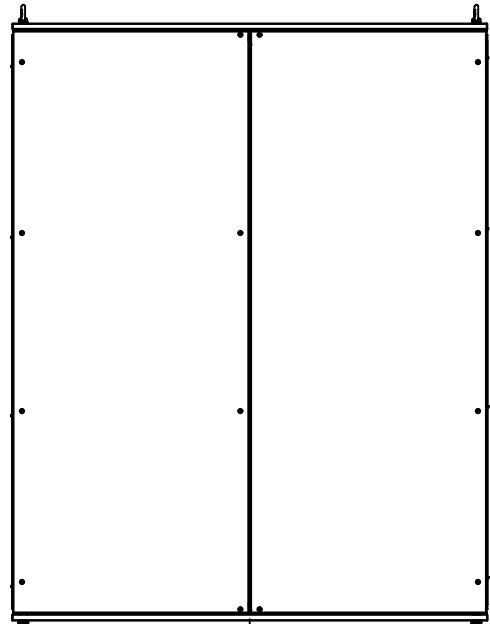


This drawing is confidential and must not be reproduced or used without the consent of EXM

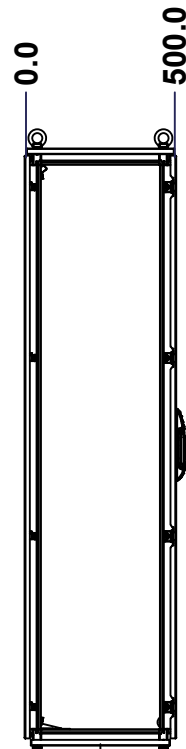
Ce dessin est confidentiel et ne doit pas être reproduit ou utilisé sans le consentement de EXM



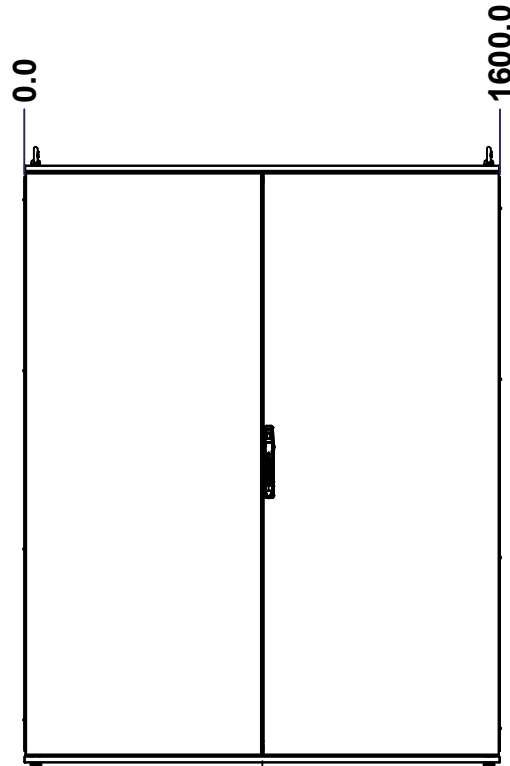
TOP



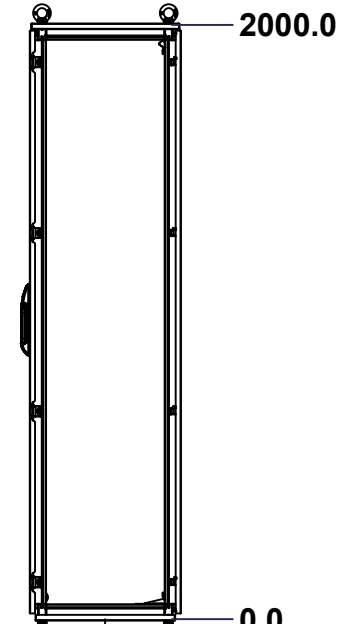
BACK



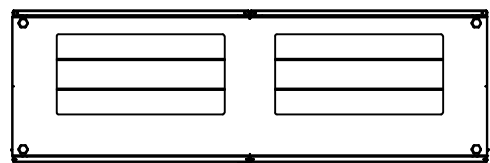
LEFT



FRONT

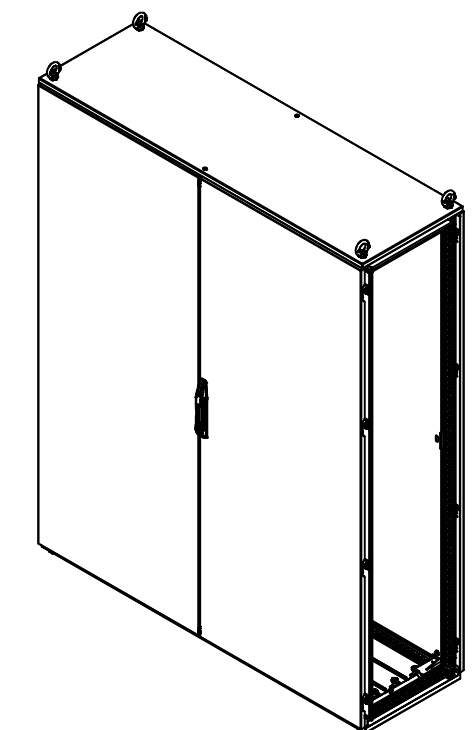


RIGHT



BOTTOM

No.	Revisions	Date	By/Par



Isometric View



Tél: (450) 979-4373
 Fax: (450) 979-4626
www.exmweb.com

Flatness
Aplatissement
Max 3.0mm
Projection

Customer Client
 Drawn By / Dessiné Par: BoxCad: BoxCad
 Date: 19-Jan-15

Material Matière: See Part List

Color Couleur: See Part List
 Finish Fini: See Part List

Description: 6500MX 2000mm x 1600mm x 500mm Assembly
 Detail Rev.

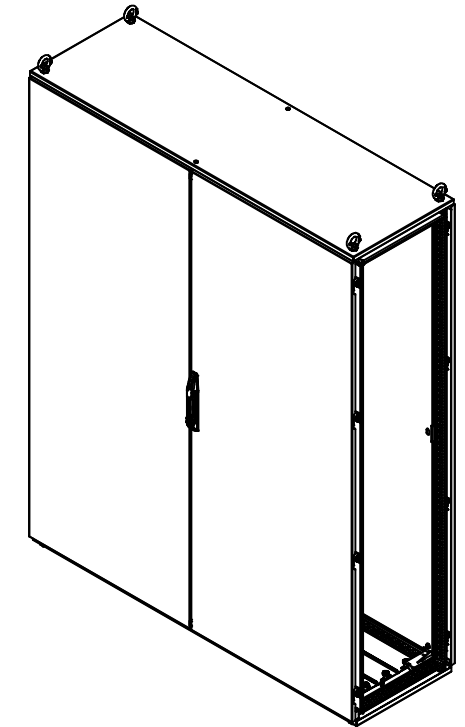
Part Number / Numéro Pièce: **6500MXK201605**
 Rev. 1
 0

SEE BILL OF MATERIAL ON LAST PAGE

This drawing is confidential and must not be reproduced or used without the consent of EXM

Ce dessin est confidentiel et ne doit pas être reproduit ou utilisé sans le consentement de EXM

No.	Revisions	Date	By/Par



Isometric View

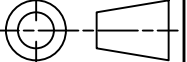


Tél: (450) 979-4373
 Fax: (450) 979-4626
www.exmweb.com

Flatness
Aplatissement

Max 3.0mm

Projection



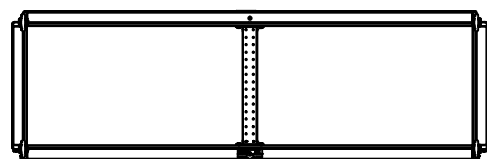
Customer Client	Date
Drawn By Dessiné Par BoxCad: BoxCad	Date 19-Jan-15
Material Matière	See Part List

Color Couleur	See Part List	Finish Fini	See Part List
Description 6500MX 2000mm x 1600mm x 500mm Assembly		Detail Rev.	
Part Number Numéro Pièce 6500MXK201605		Rev. 0	2 18

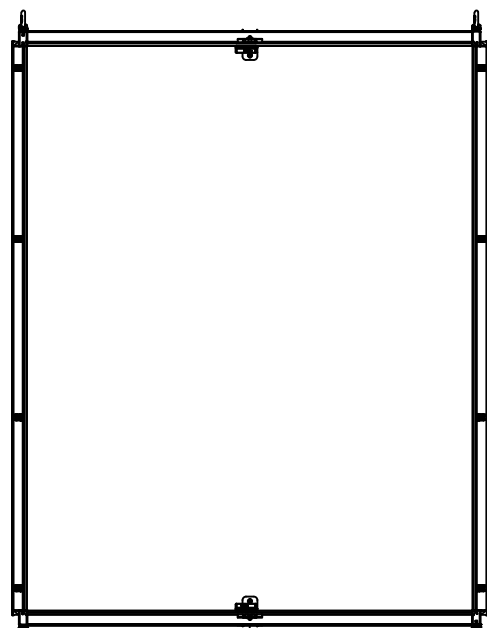
Qty	Part Number	Rev	Description
1	6500MXK201605BIP	0	6500 MXM 2000mm x 1600mm Back Inner Panel
1	6500MXK201605F	0	6500 MXDD 2000mm x 1600mm Front
1	6500MXK201605B	0	6500 MXR 2000mm x 1600mm Back
1	6500MXK201605BT	0	6500 MXB 1600mm x 500mm Bottom
1	6500MXK201605T	0	6500 MXT 1600mm x 500mm Top
1	6500MXK201605FR	0	6500 MX 2000mm x 1600mm x 500mm Frame
Parts List			

This drawing is confidential and must not be reproduced or used without the consent of EXM

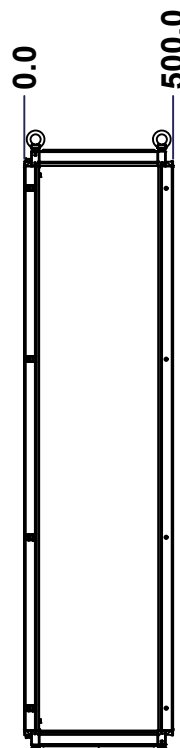
Ce dessin est confidentiel et ne doit pas être reproduit ou utilisé sans le consentement de EXM



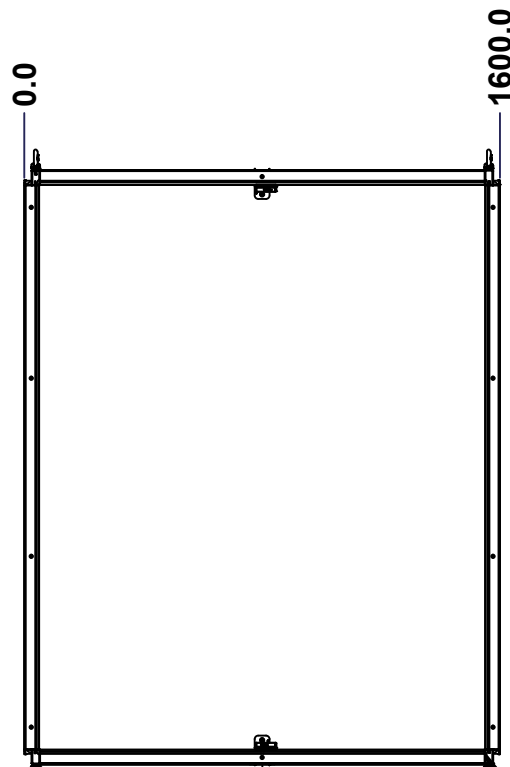
TOP



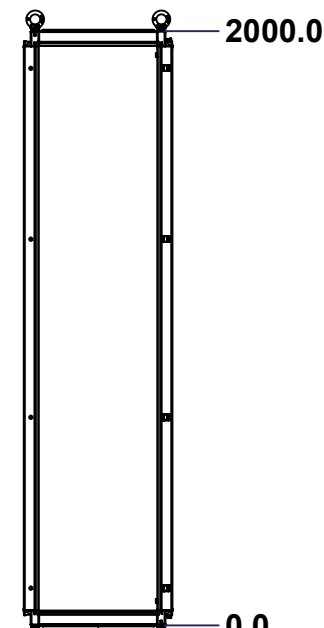
BACK



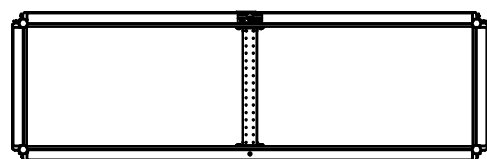
LEFT



FRONT



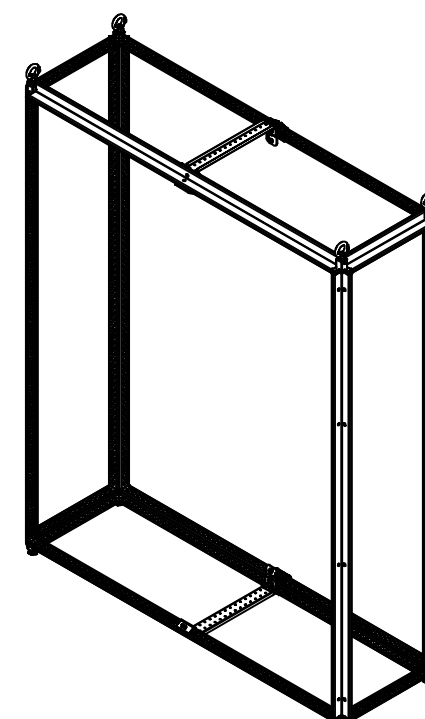
RIGHT



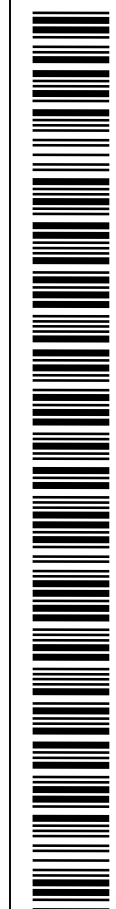
BOTTOM

Grind excess weld off corner(s)

No.	Revisions	Date	By/Par



Isometric View



Tél: (450) 979-4373
 Fax: (450) 979-4626
www.exmweb.com

Flatness
Aplatissement
Max 3.0mm
Projection

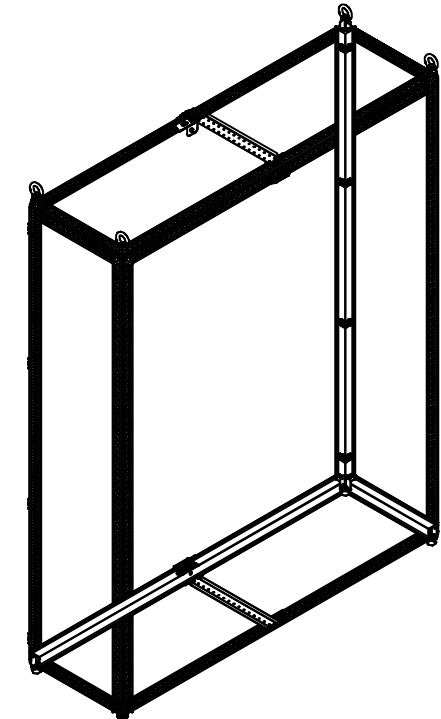
Customer Client	Date
Drawn By Dessiné Par BoxCad: BoxCad	Date 19-Jan-15
Material Matière 16 Ga Electro-Galvanized (1.4mm)	
Color Couleur Iron Grey RAL7011	Finish Fini Rough Textured
Description 6500 MX 2000mm x 1600mm x 500mm Frame	Detail Rev.
Part Number Numéro Pièce 6500MXK201605FR	Rev. 3 0

SEE BILL OF MATERIAL ON LAST PAGE

This drawing is confidential and must not be reproduced or used without the consent of EXM

Ce dessin est confidentiel et ne doit pas être reproduit ou utilisé sans le consentement de EXM

No.	Revisions	Date	By/Par



Isometric View



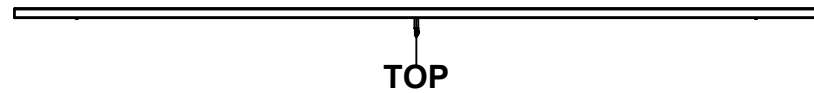
1	STK-P-03810R	0	Powder Paint (Iron Grey / Rough Textured)
1	STK-Q-04000	4	M6.0 x 9.5mm Truss Head Tapping Screw
2	STK-Q-11016	2	Rear Panel Double Bracket
4	STK-Q-47250-16	6	6500 MX 1600mm Horizontal Frame Post Part
4	STK-Q-47250-05	6	6500 MX 500mm Horizontal Frame Post Part
4	STK-Q-05020	5	M5 x 8mm Thread Rolling Screw
4	STK-A-74730	0	6500 MX - Flange Door Sealing Block
21	STK-Q-77120	1	6500MX-Frame Rubber Plug
8	STK-A-70580	4	Mtrx Bracket
8	STK-Q-00610	3	M16 x 30.0mm Bolt
8	STK-A-49448	6	6500 MX - Frame Sheet Metal Corner Assembly
4	STK-Q-49500	3	M12 Eye Bolt (0.34T)
4	STK-Q-61110	0	M12 Feet Leveler
4	STK-Q-47251-20	6	6500 MX 2000mm Vertical Frame Post Part
2	STK-K-49040-05	0	Reinforcement Bracket Kit with 500mm Track

Qty	Part Number	Rev	Description
Parts List			

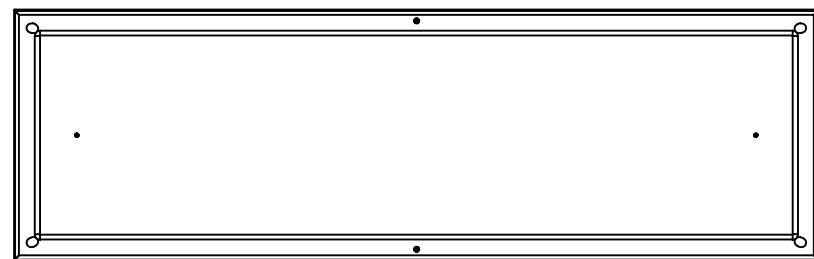
	Tél: (450) 979-4373 Fax: (450) 979-4626 www.exmweb.com	Flatness Aplatissement Max 3.0mm
		Projection
Customer Client		Date
Drawn By Dessiné Par	BoxCad: BoxCad	Date 19-Jan-15
Material Matière	16 Ga Electro-Galvanized (1.4mm)	
Color Couleur	Iron Grey RAL7011	Finish Fini Rough Textured
Description	6500 MX 2000mm x 1600mm x 500mm Frame	
Part Number Numéro Pièce	6500MXK201605FR	Detail Rev. Rev. 4
		0
		18

This drawing is confidential and must not be reproduced or used without the consent of EXM

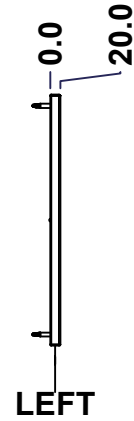
Ce dessin est confidentiel et ne doit pas être reproduit ou utilisé sans le consentement de EXM



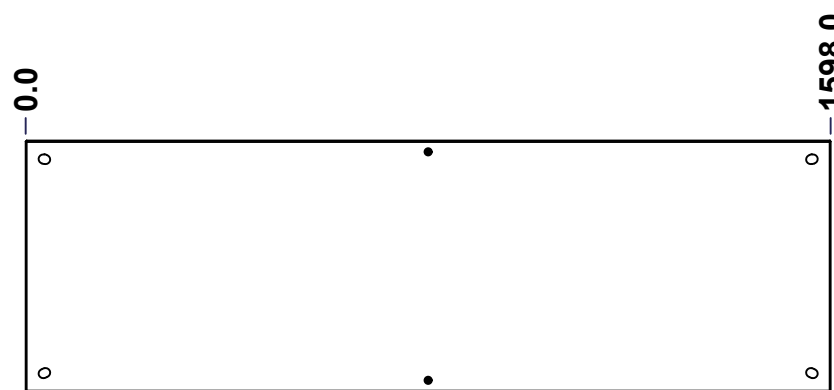
TOP



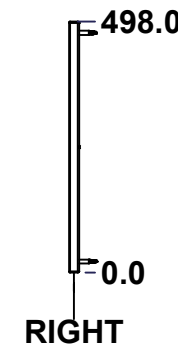
BACK



LEFT



FRONT

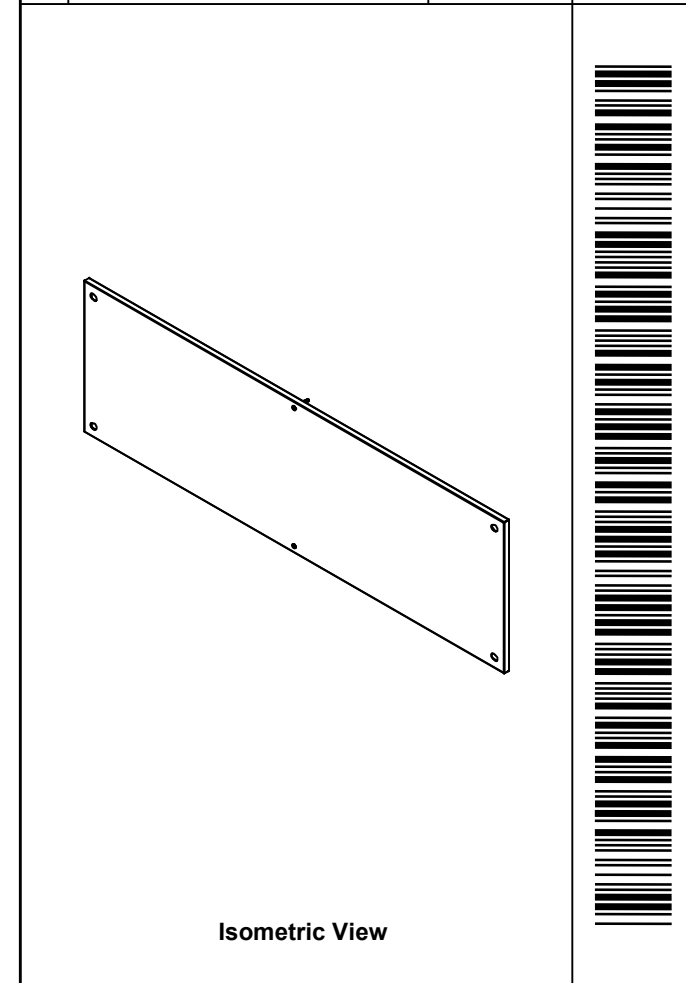


RIGHT


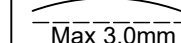
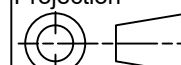


BOTTOM

No.	Revisions	Date	By/Par



Isometric View

 Tél: (450) 979-4373 Fax: (450) 979-4626 www.exmweb.com		Flatness Aplatissement  Max 3.0mm
Customer Client		Projection 
Drawn By / Dessiné Par: BoxCad: BoxCad		Date: 19-Jan-15
Material / Matière: 16 Ga Cold Rolled A1008 CS Type B		
Color / Couleur: Iron Grey RAL7011	Finish / Fini: Rough Textured	
Description: 6500 MXT 1600mm x 500mm Top		Detail Rev.
Part Number / Numéro Pièce: 6500MXK201605T		Rev. 5 0

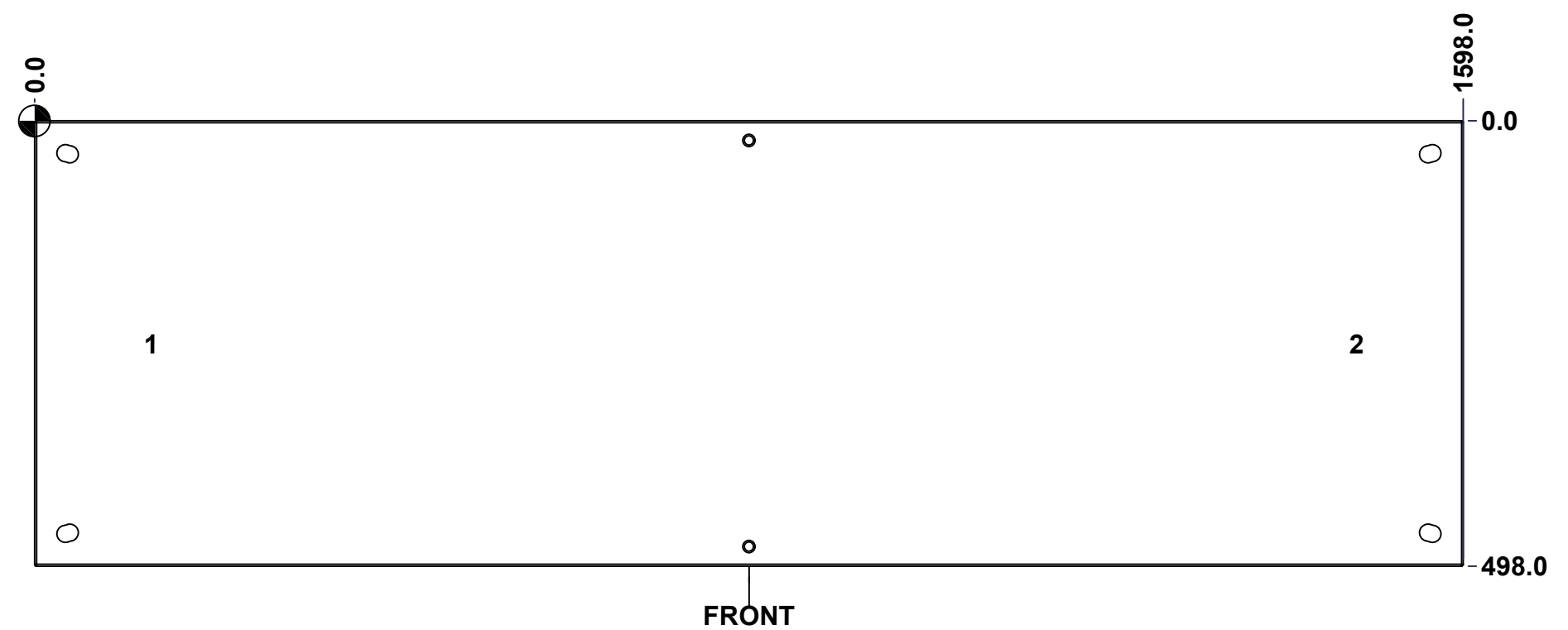
Use gasket program path 6500 MX > 6500 MXT

SEE BILL OF MATERIAL ON LAST PAGE

This drawing is confidential and must not be reproduced or used without the consent of EXM

Ce dessin est confidentiel et ne doit pas être reproduit ou utilisé sans le consentement de EXM

STANDARD FEATURES ARE NOT LISTED IN THIS HOLE TABLE			
HOLE TABLE - FRONT VIEW (CUSTOM FEATURE ONLY)			
CUT-OUT	XDIM	YDIM	DESCRIPTION
1	125.0	249.0	GND STUD M6 x 18mm (Inside)
2	1473.0	249.0	GND STUD M6 x 18mm (Inside)



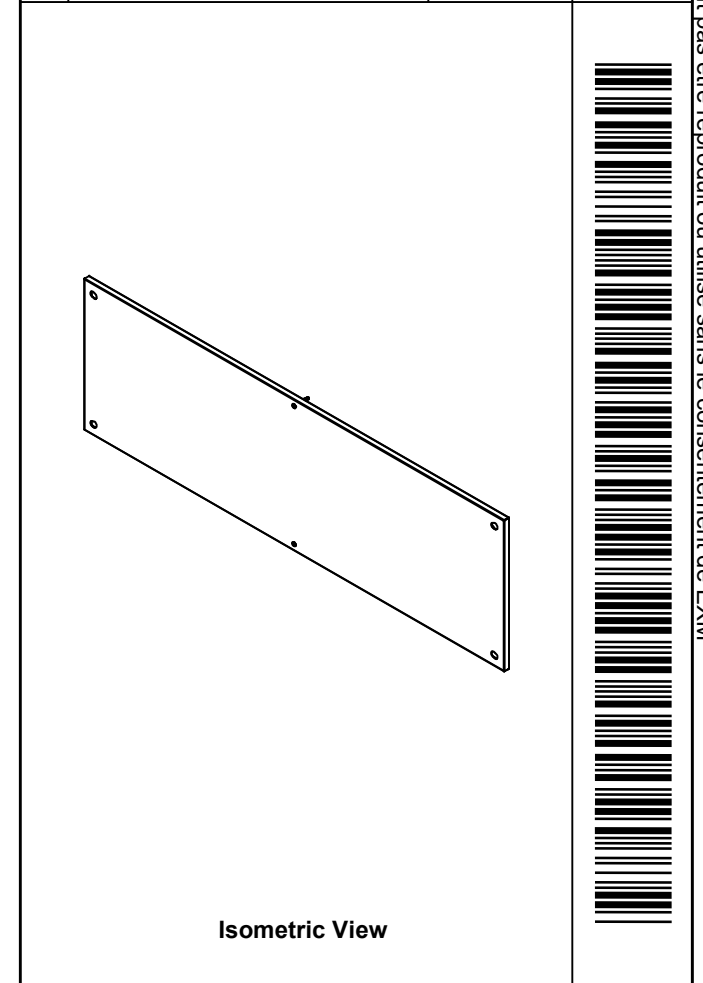
Use bending program path 6500 MX > 6500 MXT


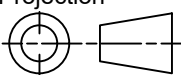
	Description	Status
	6500 MXT 1600mm x 500mm Top	(NULL)
	Part Number Numéro Pièce	Rev.
	6500MXK201605T	0 / 6
		18

This drawing is confidential and must not be reproduced or used without the consent of EXM

Ce dessin est confidentiel et ne doit pas être reproduit ou utilisé sans le consentement de EXM

No.	Revisions	Date	By/Par

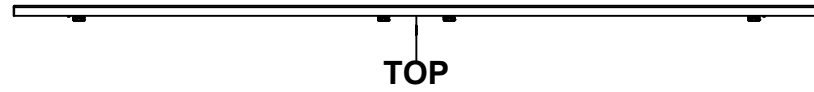


 Tél: (450) 979-4373 Fax: (450) 979-4626 www.exmweb.com		Flatness Aplatissement Max 3.0mm Projection 
Customer Client	Date	
Drawn By / Dessiné Par: BoxCad: BoxCad	Date: 19-Jan-15	
Material / Matière: 16 Ga Cold Rolled A1008 CS Type B		
Color / Couleur: Iron Grey RAL7011	Finish / Fini: Rough Textured	
Description: 6500 MXT 1600mm x 500mm Top		Detail Rev.
Part Number / Numéro Pièce: 6500MXK201605T		Rev. 7 / 18

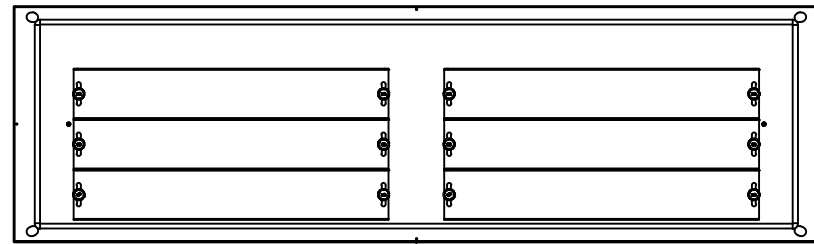
Qty	Part Number	Rev	Description
1	STK-P-03810R	0	Powder Paint (Iron Grey / Rough Textured)
2	STK-Q-16055	1	M6 x 18mm Stud (No Paint Cap Required)
2	STK-Q-90227	1	Flat Head Drilling Screw M6.3 x 56.0mm Long
1	6500MXK201605TG	0	6500 MXT 1600mm x 500mm Top Gasket
1	6500MXK201605T-P	0	6500 MXT 1600mm x 500mm Top Part
Parts List			

This drawing is confidential and must not be reproduced or used without the consent of EXM

Ce dessin est confidentiel et ne doit pas être reproduit ou utilisé sans le consentement de EXM



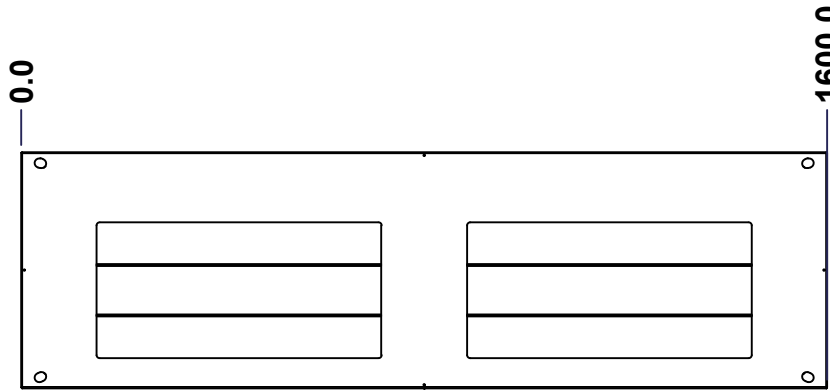
TOP



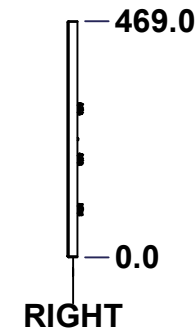
BACK



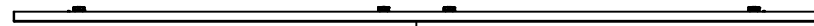
LEFT



FRONT



RIGHT



BOTTOM

No.	Revisions	Date	By/Par

Isometric View

Tél: (450) 979-4373 Fax: (450) 979-4626 www.exmweb.com		Flatness Aplatissement Max 3.0mm Projection
Customer Client	Date	
Drawn By Dessiné Par	BoxCad: BoxCad	Date 19-Jan-15
Material Matière	16 Ga Cold Rolled A1008 CS Type B	
Color Couleur	Iron Grey RAL7011	Finish Fini Rough Textured
Description	Detail Rev.	
6500 MXB 1600mm x 500mm Bottom		
Part Number Numéro Pièce	Rev.	8
6500MXK201605BT	0	18

Use gasket program path 6500 MX > 6500MXB

SEE BILL OF MATERIAL ON LAST PAGE

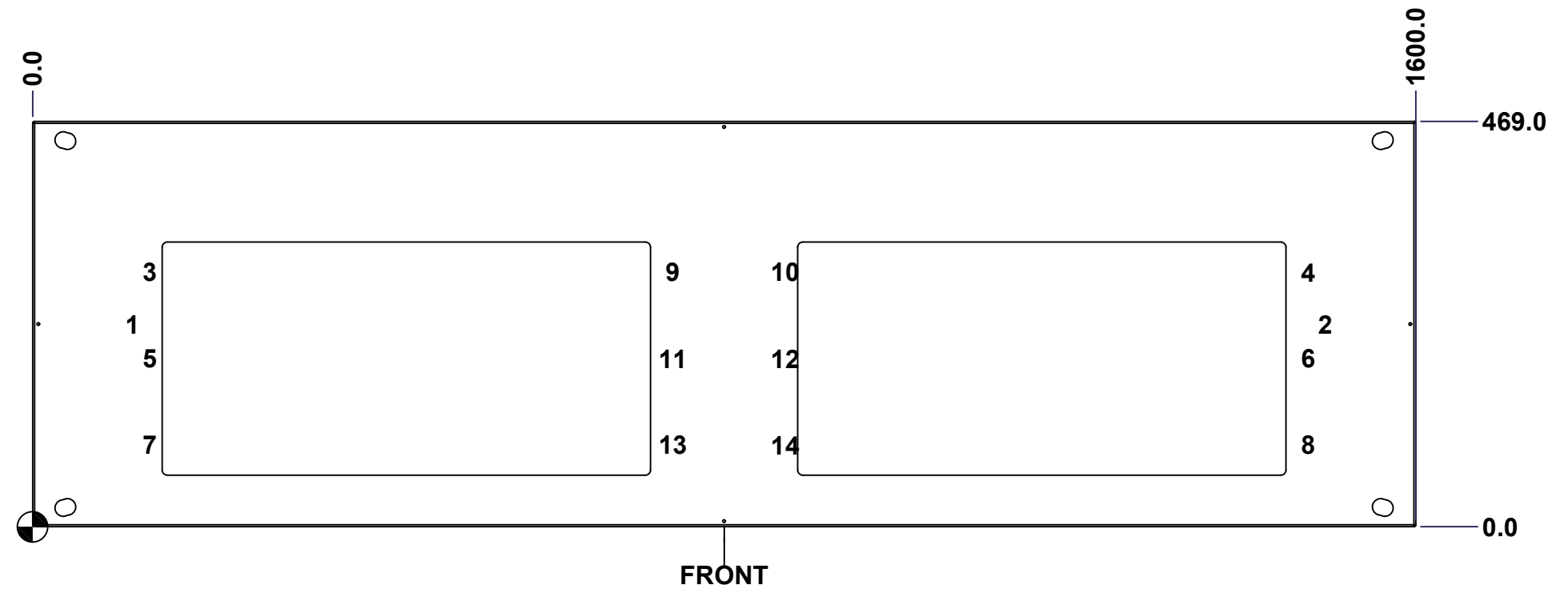
This drawing is confidential and must not be reproduced or used without the consent of EXM

Ce dessin est confidentiel et ne doit pas être reproduit ou utilisé sans le consentement de EXM

STANDARD FEATURES ARE NOT LISTED IN THIS HOLE TABLE

HOLE TABLE - FRONT VIEW (CUSTOM FEATURE ONLY)

CUT-OUT	XDIM	YDIM	DESCRIPTION
1	110.0	234.5	GND STUD M6 x 18mm (Inside)
2	1490.0	234.5	GND STUD M6 x 18mm (Inside)
3	130.0	294.5	GP STUD M6 x 18mm (Inside)
4	1470.0	294.5	GP STUD M6 x 18mm (Inside)
5	130.0	194.5	GP STUD M6 x 18mm (Inside)
6	1470.0	194.5	GP STUD M6 x 18mm (Inside)
7	130.0	94.5	GP STUD M6 x 18mm (Inside)
8	1470.0	94.5	GP STUD M6 x 18mm (Inside)
9	735.0	294.5	GP STUD M6 x 18mm (Inside)
10	865.0	294.5	GP STUD M6 x 18mm (Inside)
11	735.0	194.5	GP STUD M6 x 18mm (Inside)
12	865.0	194.5	GP STUD M6 x 18mm (Inside)
13	735.0	94.5	GP STUD M6 x 18mm (Inside)
14	865.0	94.5	GP STUD M6 x 18mm (Inside)



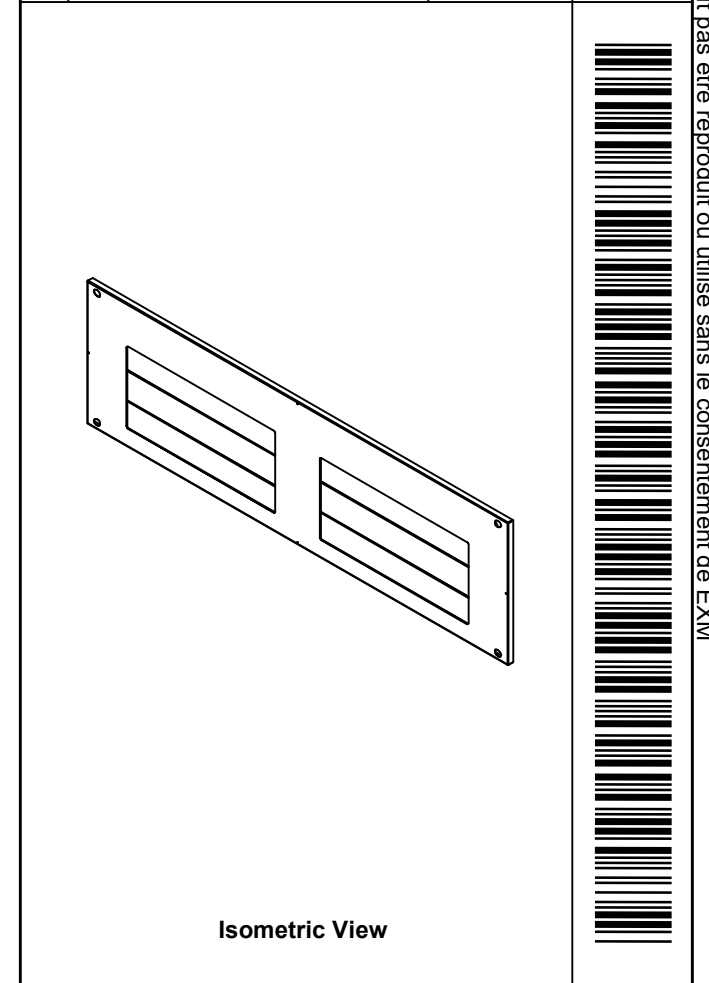
Use bending program path 6500 MX > 6500MXB

	Description	Status
	6500 MXB 1600mm x 500mm Bottom	(NULL)
	Part Number Numéro Pièce	Rev.
	6500MXK201605BT	0 / 9
		18

This drawing is confidential and must not be reproduced or used without the consent of EXM

Ce dessin est confidentiel et ne doit pas être reproduit ou utilisé sans le consentement de EXM

No.	Revisions	Date	By/Par

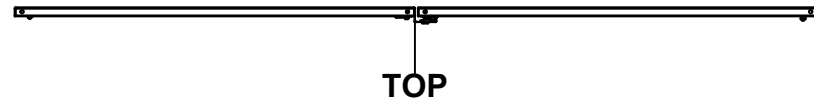


Tél: (450) 979-4373 Fax: (450) 979-4626 www.exmweb.com		Flatness Aplatissement	
		Max 3.0mm	
Customer Client		Date	
Drawn By Dessiné Par		Date	
Material Matière		Projection	
16 Ga Cold Rolled A1008 CS Type B			
Color Couleur		Finish Fini	
Iron Grey RAL7011		Rough Textured	
Description			Detail Rev.
6500 MXB 1600mm x 500mm Bottom			
Part Number Numéro Pièce		Rev.	
6500MXK201605BT		0	10 18

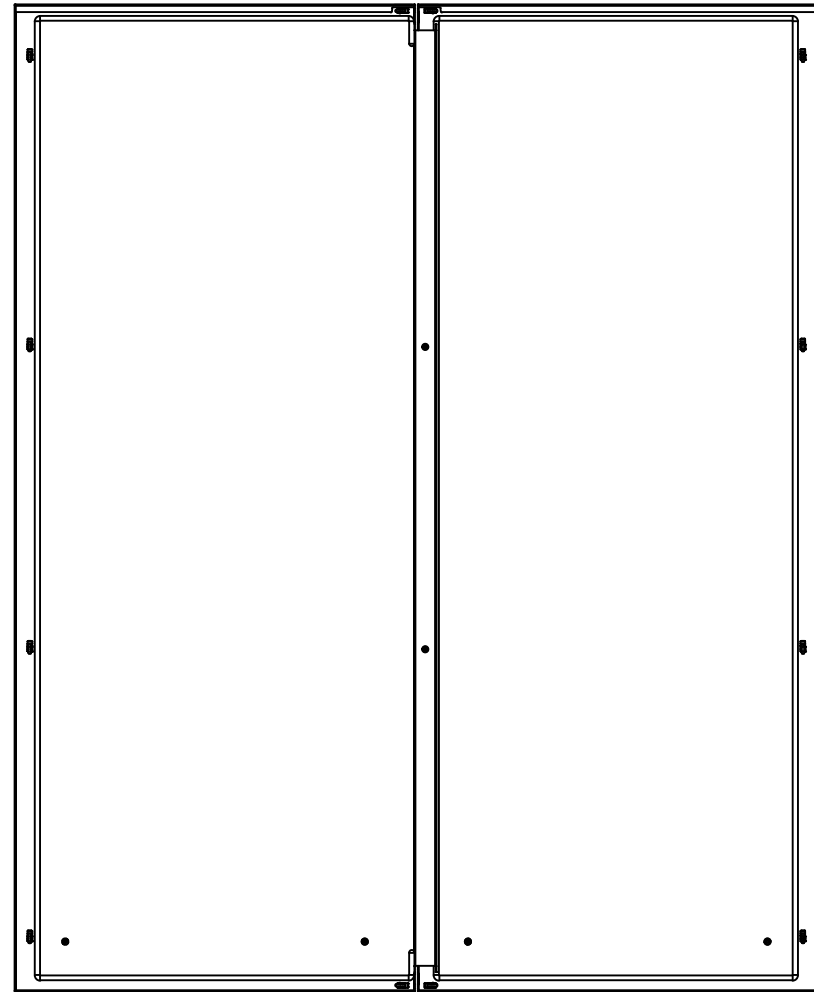
Qty	Part Number	Rev	Description
1	STK-P-03810R	0	Powder Paint (Iron Grey / Rough Textured)
12	STK-Q-06001	0	Mtrx - Gland Plate M6 Plastic Thumb Nut
14	STK-Q-16055	1	M6 x 18mm Stud (No Paint Cap Required)
6	6500MXK201605GP100-P	0	6500 MXB 1600mm Gland Plate Part (100mm)
2	6500MXK201605BTGPG	0	6500 MXB 1600mm x 500mm Bottom Gland Plate Gasket
1	6500MXK201605BTG	0	6500 MXB 1600mm x 500mm Bottom Gasket
1	6500MXK201605BT-P	0	6500 MXB 1600mm x 500mm Bottom Part
Parts List			

This drawing is confidential and must not be reproduced or used without the consent of EXM

Ce dessin est confidentiel et ne doit pas être reproduit ou utilisé sans le consentement de EXM



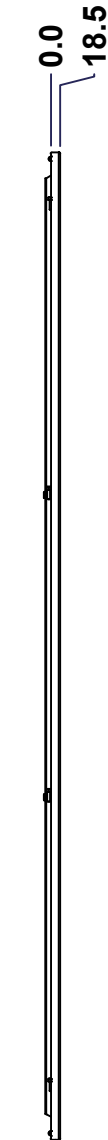
TOP



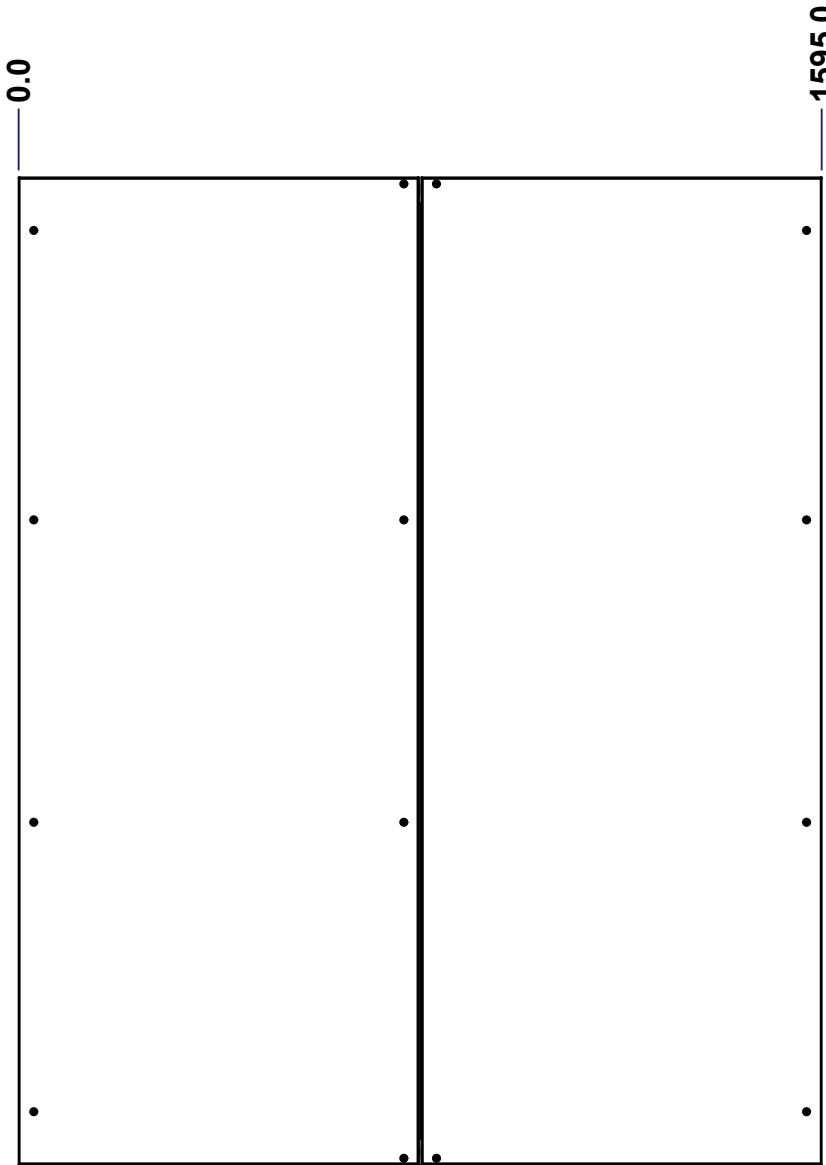
BACK



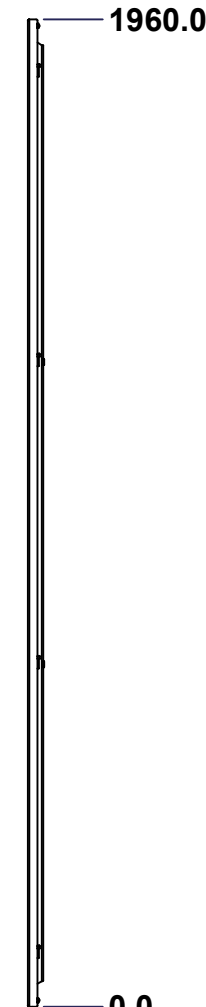
BOTTOM



LEFT



FRONT



RIGHT

No.	Revisions	Date	By/Par

Isometric View

<p>Tél: (450) 979-4373 Fax: (450) 979-4626 www.exmweb.com</p>		Flatness Aplatissement	
		<p>Max 3.0mm</p>	
Customer Client		Date	
Drawn By Dessiné Par		Date	
Material Matière		Projection	
Color Couleur		Finish Fini	
Description		Detail Rev.	
Part Number Numéro Pièce		Rev.	

Use gasket program path 6500 MX > 6500 MXR
Use gasket program path 6500 MX > 6500 MXRFD

SEE BILL OF MATERIAL ON LAST PAGE

6500MXK201605B

11	18
0	

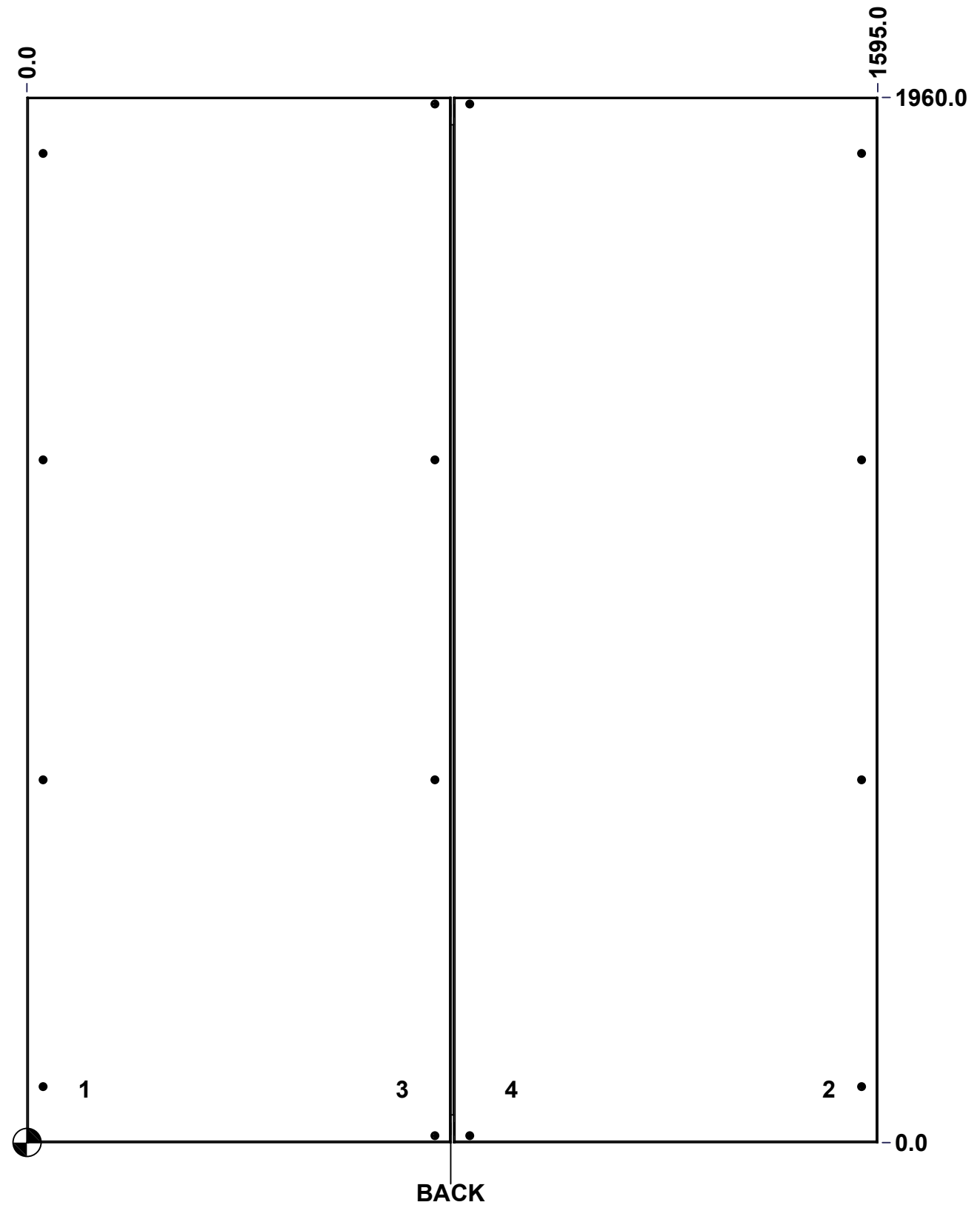
This drawing is confidential and must not be reproduced or used without the consent of EXM

Ce dessin est confidentiel et ne doit pas être reproduit ou utilisé sans le consentement de EXM

STANDARD FEATURES ARE NOT LISTED IN THIS HOLE TABLE

HOLE TABLE - FRONT VIEW (CUSTOM FEATURE ONLY)

CUT-OUT	XDIM	YDIM	DESCRIPTION
1	100.0	100.0	GND STUD M6 x 16mm (Inside)
2	1495.0	100.0	GND STUD M6 x 16mm (Inside)
3	695.0	100.0	GND STUD M6 x 16mm (Inside)
4	900.0	100.0	GND STUD M6 x 16mm (Inside)



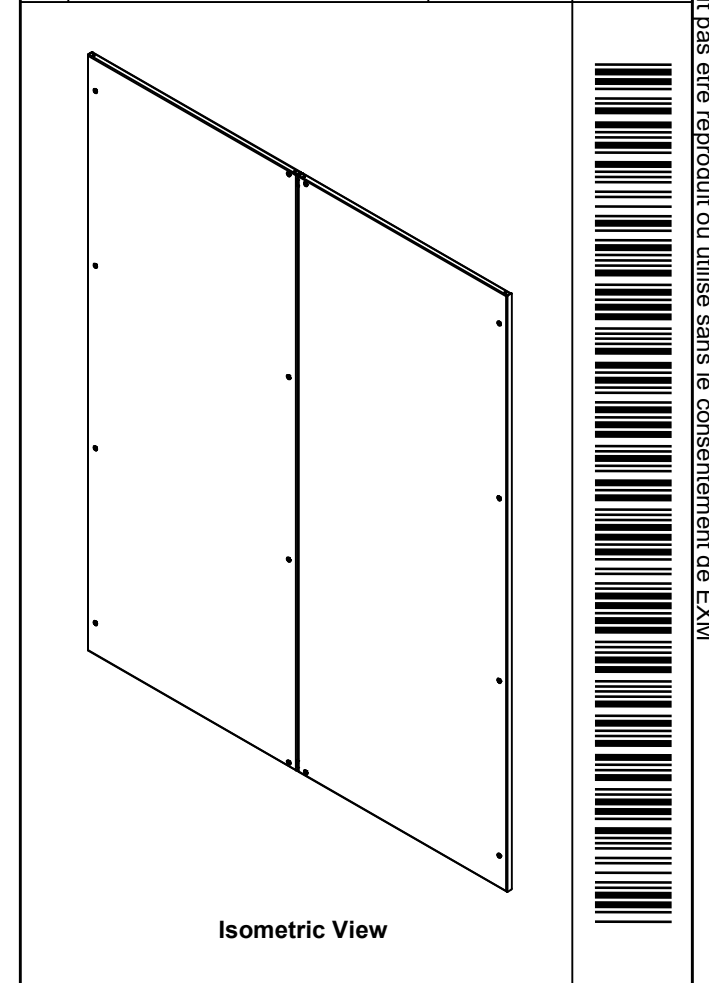
Use bending program path 6500 MX > 6500 MXR
 Use bending program path 6500 MX > 6500 MXRFD

	Description	Status	
	6500 MXR 2000mm x 1600mm Back	(NULL)	
	Part Number Numéro Pièce	Rev.	
	6500MXK201605B	0	12 / 18

This drawing is confidential and must not be reproduced or used without the consent of EXM

Ce dessin est confidentiel et ne doit pas être reproduit ou utilisé sans le consentement de EXM

No.	Revisions	Date	By/Par




 Tél: (450) 979-4373
 Fax: (450) 979-4626
www.exmweb.com

Flatness
 Aplatissement
 Max 3.0mm
Projection


1	STK-P-03820R	0	Powder Paint (Light Grey / Rough Textured)
2	STK-Q-04050-08	0	M6 x 8mm Hexagon Socket Head Machine Screw
1	6500MXK201605B1G	0	6500 MXR 2000mm x 1600mm Back Gasket
1	6500MXK201605BG	0	6500 MXR 2000mm x 1600mm Back Gasket
2	STK-Q-11017	0	Rear Panel Single Bracket
14	STK-A-70579	3	6500 MX Side Panel Insert Assembly
14	STK-Q-03071	0	M6 x 16mm Machine Screw
1	6500MXK201605B1-P	0	6500 MXR 2000mm x 1600mm Back 1 Part
4	STK-Q-16080	0	Ground Stud M6 x 16mm Steel
1	6500MXK201605B-P	0	6500 MXR 2000mm x 1600mm Back Part

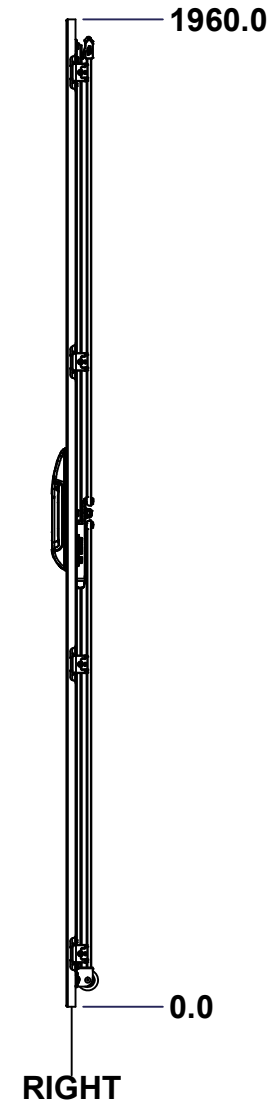
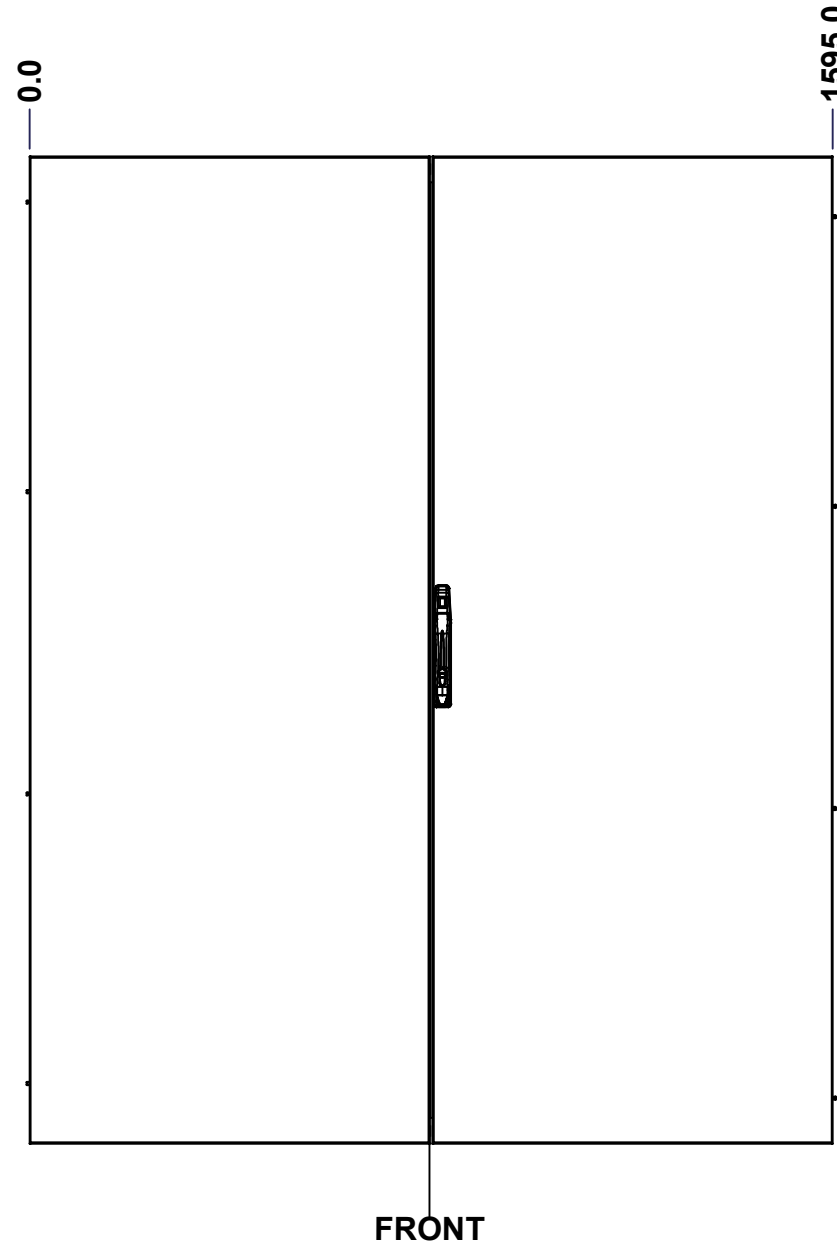
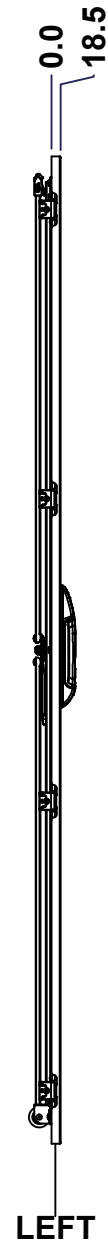
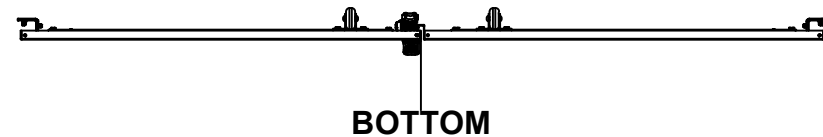
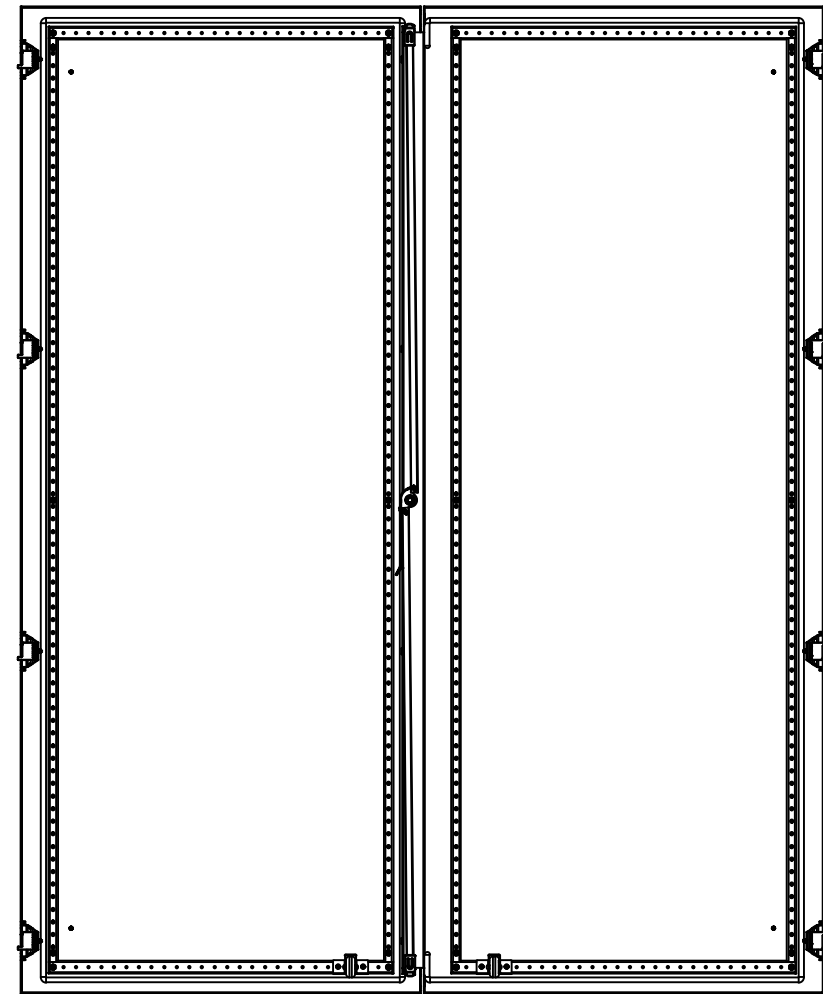
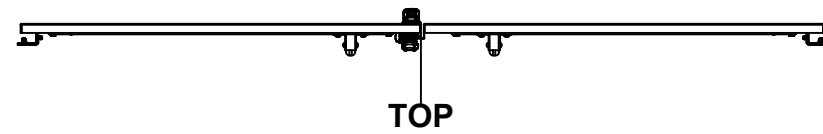
Customer Client	Date
Drawn By / Dessiné Par: BoxCad: BoxCad	Date: 19-Jan-15
Material / Matière: 14 Ga Cold Rolled A1008 CS Type B	
Color / Couleur: Light Grey RAL7035	Finish / Fini: Rough Textured
Description: 6500 MXR 2000mm x 1600mm Back	Detail Rev.
Part Number / Numéro Pièce: 6500MXK201605B	Rev. 0

Qty	Part Number	Rev	Description
Parts List			

Rev.	13
0	18

This drawing is confidential and must not be reproduced or used without the consent of EXM

Ce dessin est confidentiel et ne doit pas être reproduit ou utilisé sans le consentement de EXM



No.	Revisions	Date	By/Par

Isometric View

Tél: (450) 979-4373 Fax: (450) 979-4626 www.exmweb.com		Flatness Aplatissement Max 3.0mm Projection
Customer Client	Date	
Drawn By / Dessiné Par: BoxCad: BoxCad	Date: 19-Jan-15	
Material / Matière: 14 Ga Cold Rolled A1008 CS Type B		
Color / Couleur: Light Grey RAL7035	Finish / Fini: Rough Textured	
Description: 6500 MXDD 2000mm x 1600mm Front		Detail Rev.
Part Number / Numéro Pièce: 6500MXK201605F	Rev.: 0	14 / 18

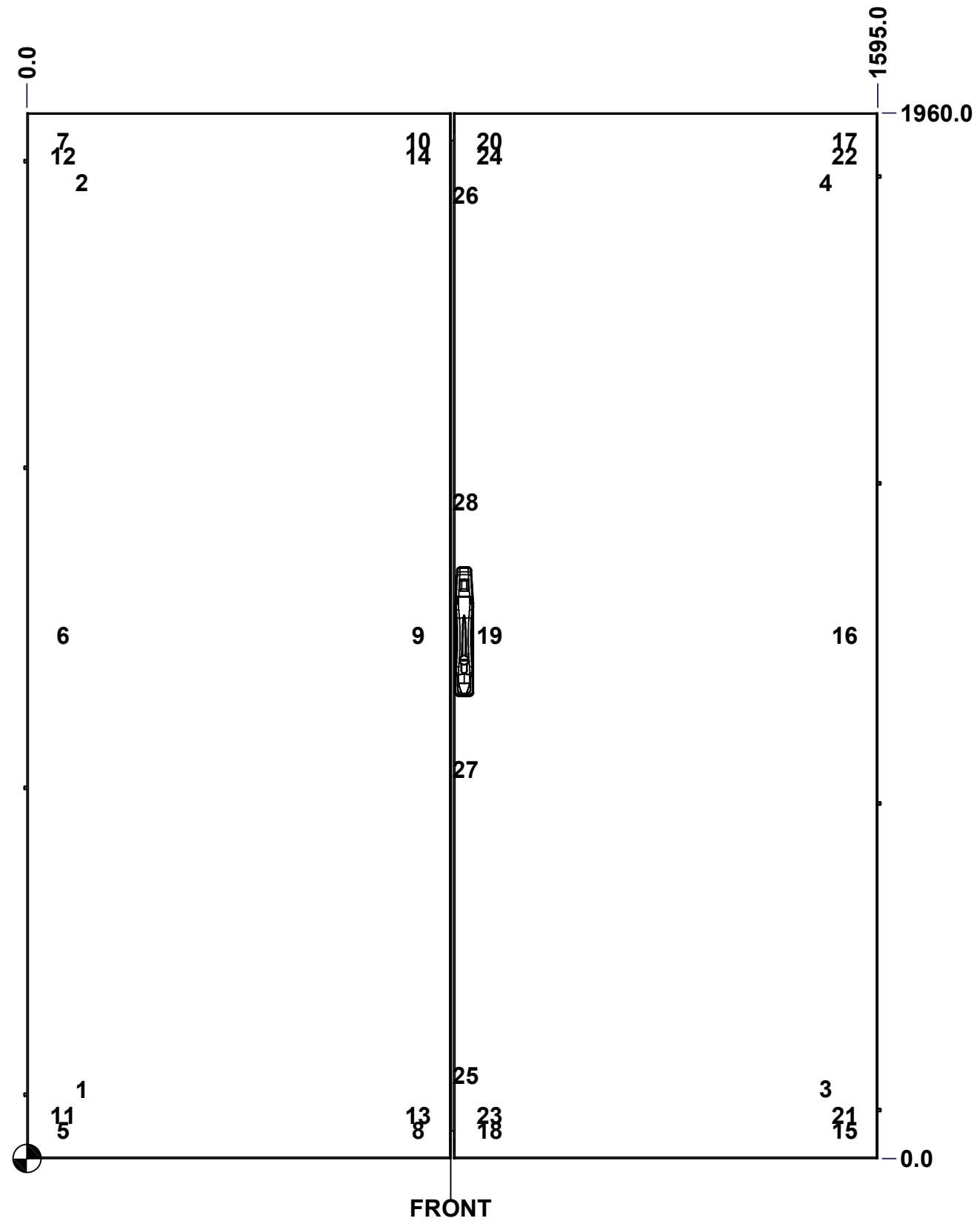
Use gasket program path 6500 MX > 6500 MXD
 Use gasket program path 6500 MX > 6500 MXFD

SEE BILL OF MATERIAL ON LAST PAGE

This drawing is confidential and must not be reproduced or used without the consent of EXM

Ce dessin est confidentiel et ne doit pas être reproduit ou utilisé sans le consentement de EXM

STANDARD FEATURES ARE NOT LISTED IN THIS HOLE TABLE			
HOLE TABLE - FRONT VIEW (CUSTOM FEATURE ONLY)			
CUT-OUT	XDIM	YDIM	DESCRIPTION
1	100.0	130.0	GND STUD M6 x 16mm (Inside)
2	100.0	1830.0	GND STUD M6 x 16mm (Inside)
3	1495.0	130.0	GND STUD M6 x 16mm (Inside)
4	1495.0	1830.0	GND STUD M6 x 16mm (Inside)
5	64.5	52.8	STIFF. STUD M6 x 18mm (Inside)
6	64.5	980.0	STIFF. STUD M6 x 18mm (Inside)
7	64.5	1907.2	STIFF. STUD M6 x 18mm (Inside)
8	730.5	52.8	STIFF. STUD M6 x 18mm (Inside)
9	730.5	980.0	STIFF. STUD M6 x 18mm (Inside)
10	730.5	1907.2	STIFF. STUD M6 x 18mm (Inside)
11	64.5	81.0	STIFF. STUD M6 x 18mm (Inside)
12	64.5	1879.0	STIFF. STUD M6 x 18mm (Inside)
13	730.5	81.0	STIFF. STUD M6 x 18mm (Inside)
14	730.5	1879.0	STIFF. STUD M6 x 18mm (Inside)
15	1530.5	52.8	STIFF. STUD M6 x 18mm (Inside)
16	1530.5	980.0	STIFF. STUD M6 x 18mm (Inside)
17	1530.5	1907.2	STIFF. STUD M6 x 18mm (Inside)
18	864.5	52.8	STIFF. STUD M6 x 18mm (Inside)
19	864.5	980.0	STIFF. STUD M6 x 18mm (Inside)
20	864.5	1907.2	STIFF. STUD M6 x 18mm (Inside)
21	1530.5	81.0	STIFF. STUD M6 x 18mm (Inside)
22	1530.5	1879.0	STIFF. STUD M6 x 18mm (Inside)
23	864.5	81.0	STIFF. STUD M6 x 18mm (Inside)
24	864.5	1879.0	STIFF. STUD M6 x 18mm (Inside)
25	819.5	155.0	CLOSING BAR GUIDE (Inside)
26	819.5	1805.0	CLOSING BAR GUIDE (Inside)
27	819.5	730.0	CLOSING BAR GUIDE (Inside)
28	819.5	1230.0	CLOSING BAR GUIDE (Inside)



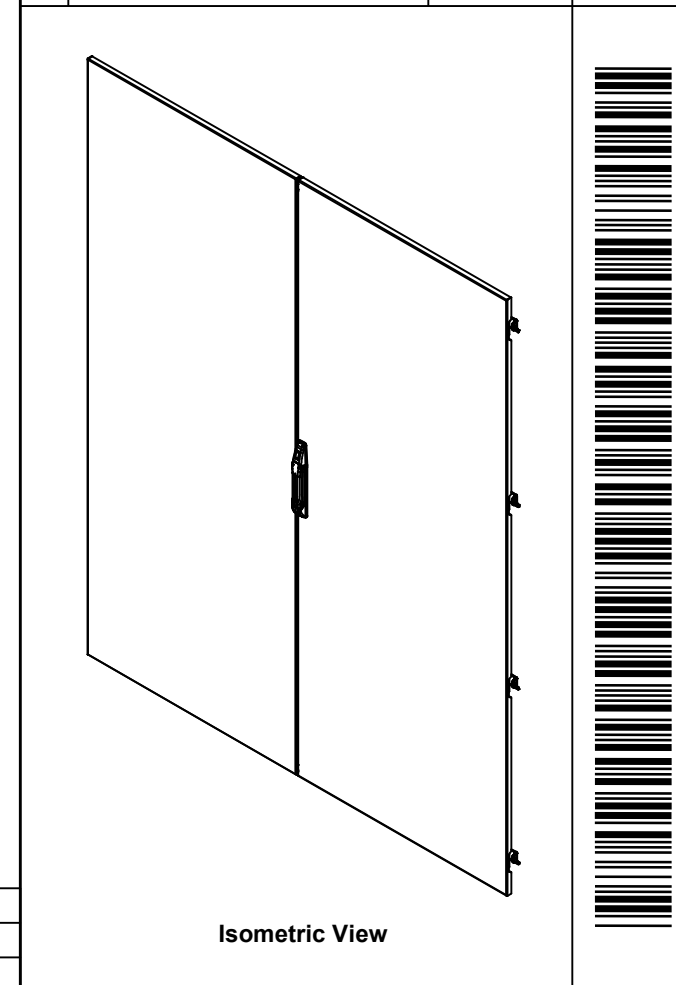
Use bending program path 6500 MX > 6500 MXD
 Use bending program path 6500 MX > 6500 MXFD

	Description	Status	
	6500 MXDD 2000mm x 1600mm Front	(NULL)	
	Part Number	Rev.	15
	Numéro Pièce	0	18
	6500MXK201605F		

This drawing is confidential and must not be reproduced or used without the consent of EXM

Ce dessin est confidentiel et ne doit pas être reproduit ou utilisé sans le consentement de EXM

No.	Revisions	Date	By/Par



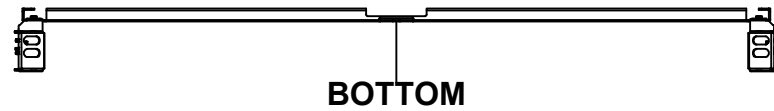
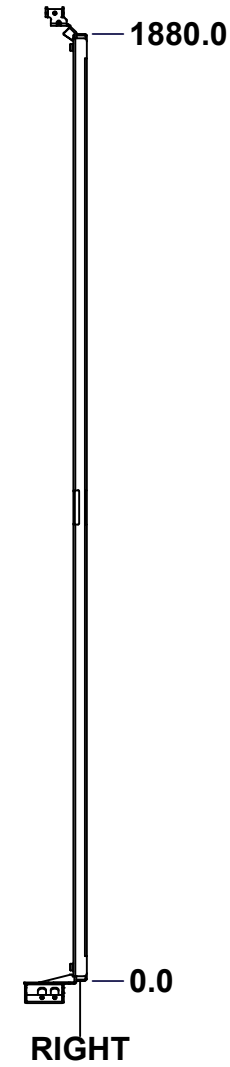
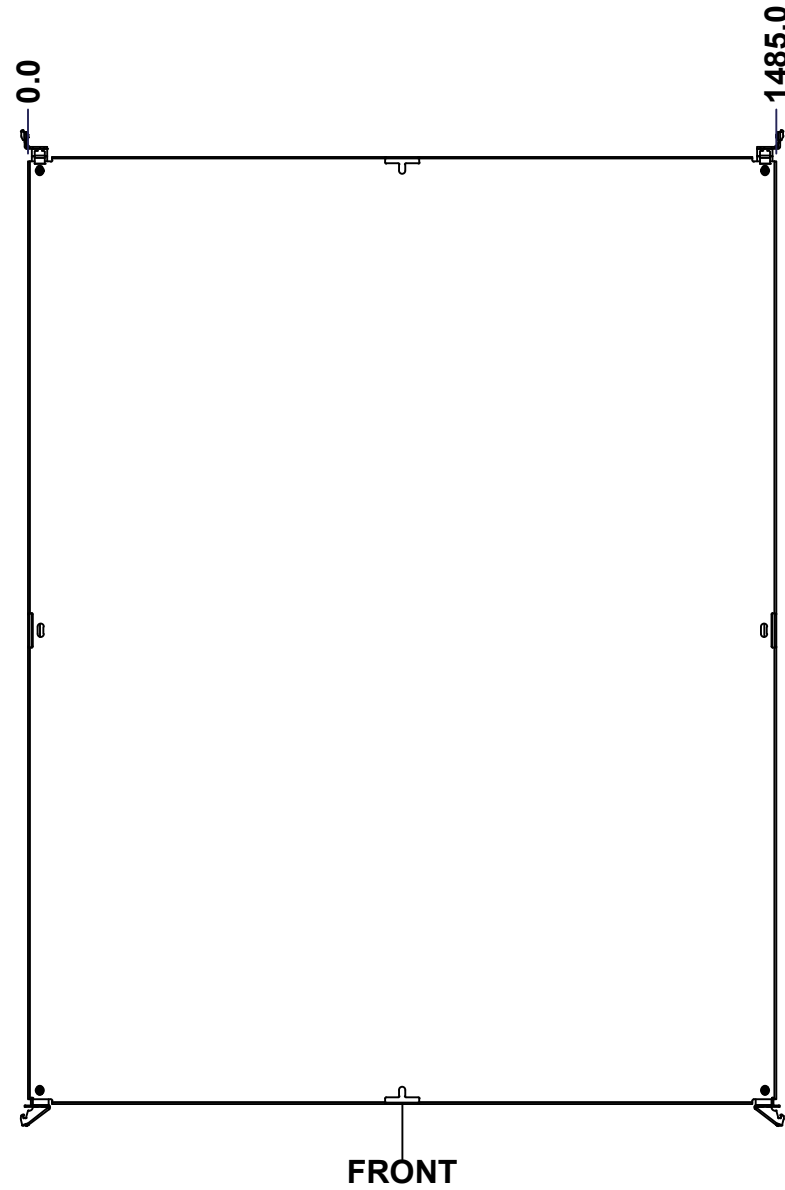
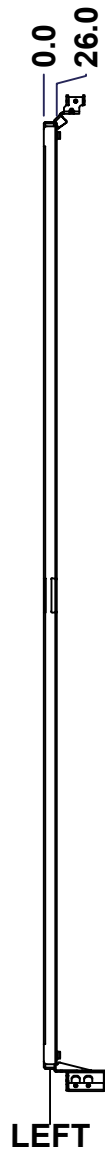
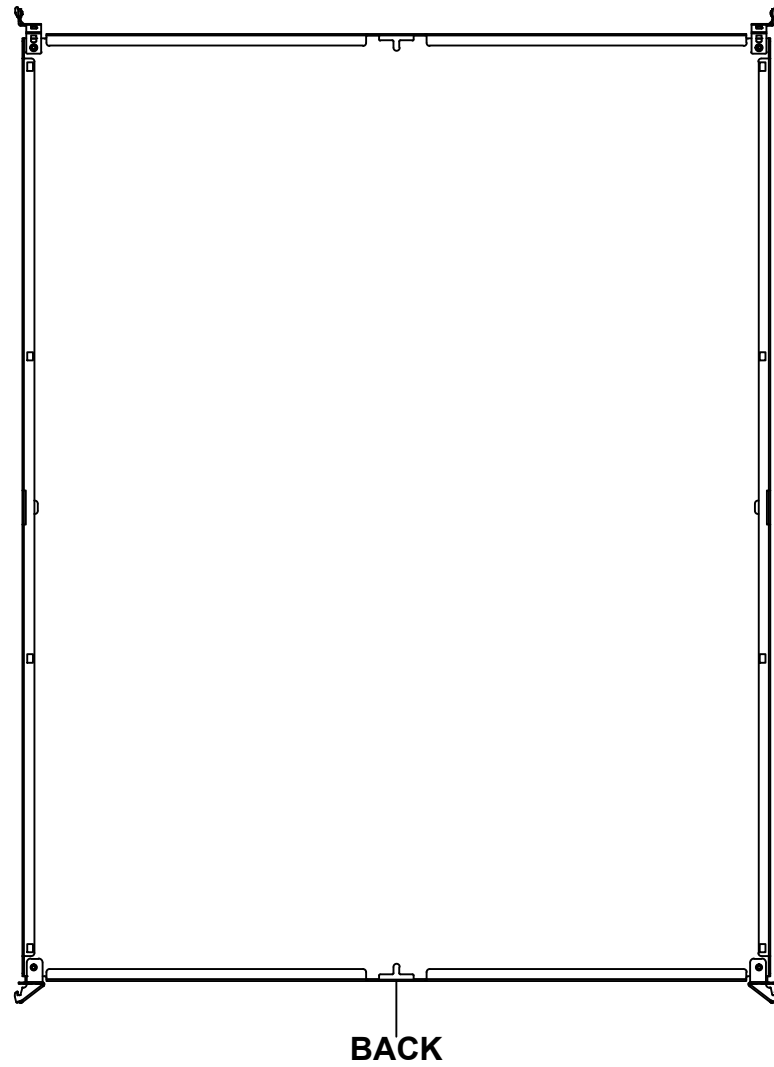
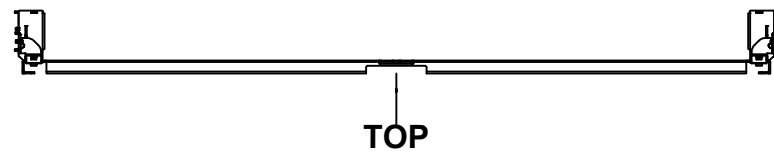
1	STK-P-03820R	0	Powder Paint (Light Grey / Rough Textured)
1	STK-Q-16122	1	Stud M10 x 20mm
1	STK-K-50556	2	9500 DD - Flange Door Handle Assy
4	STK-A-70586	3	Fixed Double Door Bracket Assembly
1	STK-Q-45652-20	5	6500 MX - Lower Closing Bar 2000mm
1	STK-Q-45651-20	5	6500 MX - Upper Closing Bar 2000mm
8	STK-K-06810	7	6500 MX Hinge Assy
2	STK-Q-90041	6	6500 MXDD - Closing Bar End
2	STK-Q-45650-20	2	6100 SLDD - Split Door - Closing Bar
6	STK-Q-16405	6	Guide Stud - Small (No Paint Cap Required)
1	6500MXK201605F1G	0	6500 MXDD 2000mm x 1600mm Front Gasket
1	6500MXK201605F1-P	0	6500 MXDD 2000mm x 1600mm Front Part
1	6500MXK201605DS2	5	6500 MX 2000mm x 1600mm Door Stiffener
1	886PHD-S	11	Euroform Pull Handle Kit
24	STK-Q-16055	1	M6 x 18mm Stud (No Paint Cap Required)
1	6500MXK201605DS1	5	6500 MX 2000mm x 1600mm Door Stiffener
1	6500MXK201605FG	0	6500 MXDD 2000mm x 1600mm Front Gasket
1	6500MXK201605F-P	0	6500 MXDD 2000mm x 1600mm Front Part
2	6500MXSRK	1	6500 MXRSK Door Support Roller

Qty	Part Number	Rev	Description
Parts List			

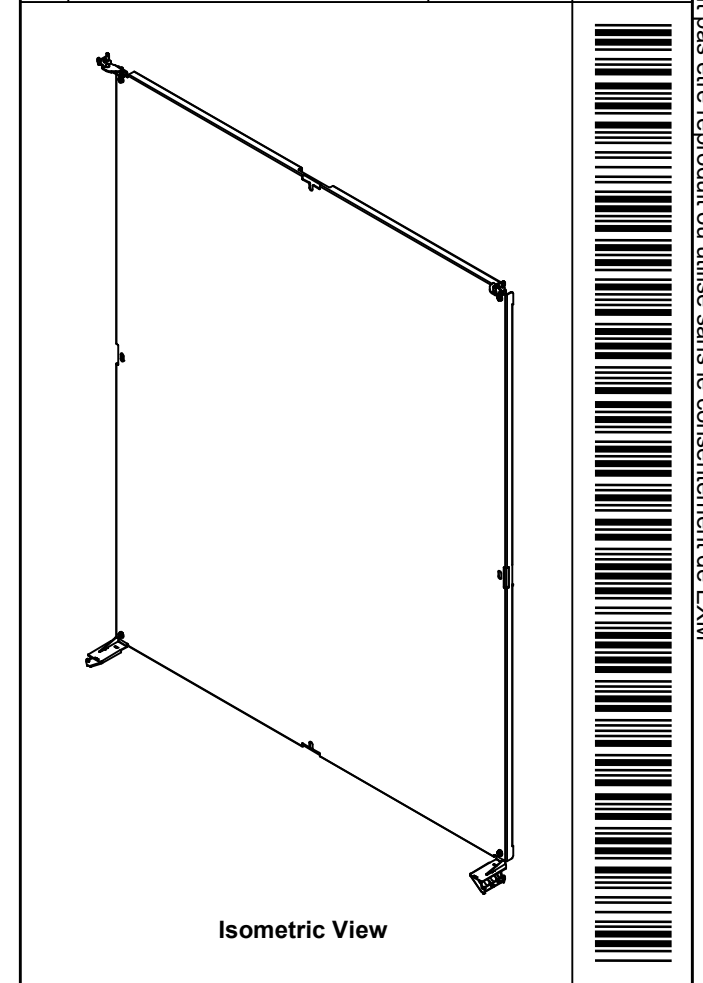
 Tél: (450) 979-4373 Fax: (450) 979-4626 www.exmweb.com		Flatness Aplatissement Max 3.0mm Projection 
Customer Client	Date	
Drawn By Dessiné Par	BoxCad: BoxCad	Date
Material Matière	14 Ga Cold Rolled A1008 CS Type B	
Color Couleur	Light Grey RAL7035	Finish Fini
		Rough Textured
Description		Detail Rev.
6500 MXDD 2000mm x 1600mm Front		
Part Number Numéro Pièce	Rev.	16
6500MXK201605F	0	18


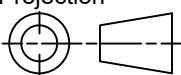
This drawing is confidential and must not be reproduced or used without the consent of EXM

Ce dessin est confidentiel et ne doit pas être reproduit ou utilisé sans le consentement de EXM



No.	Revisions	Date	By/Par



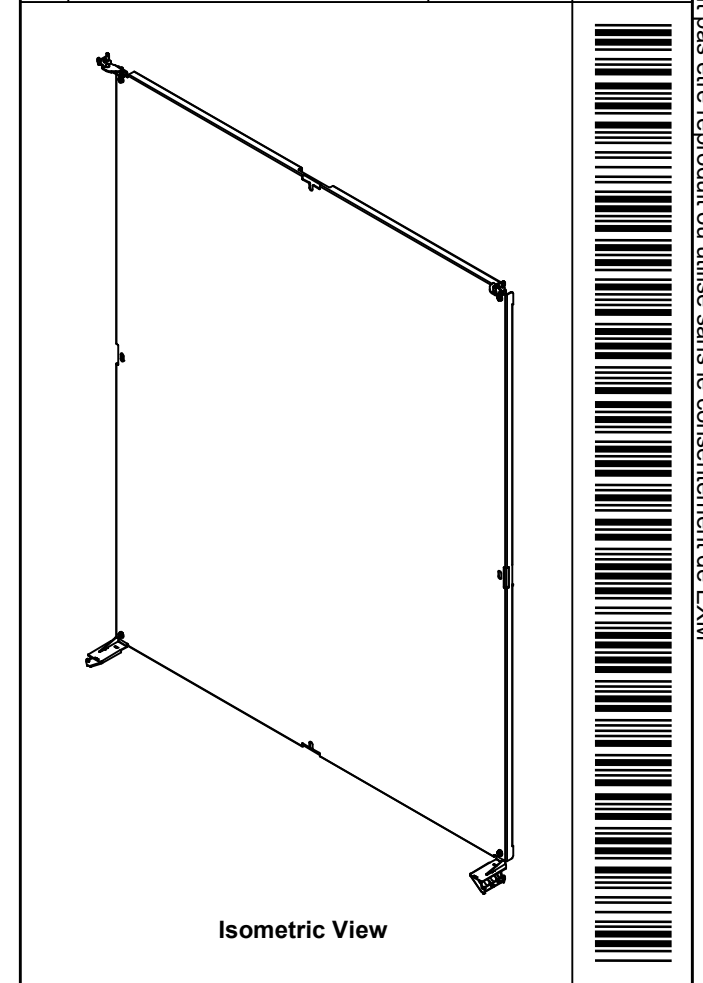
 Tél: (450) 979-4373 Fax: (450) 979-4626 www.exmweb.com		Flatness Aplatissement
		Max 3.0mm
Projection 		
Customer Client	Date	
Drawn By Dessiné Par	BoxCad: BoxCad	Date 19-Jan-15
Material Matière	12 Ga Galvanized (2.5mm)	
Color Couleur	Unpainted	Finish Fini Unpainted
Description	Detail Rev.	
6500 MXM 2000mm x 1600mm Back Inner Panel		
Part Number Numéro Pièce	Rev.	17
6500MXK201605BIP	0	18


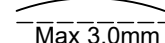
SEE BILL OF MATERIAL ON LAST PAGE

This drawing is confidential and must not be reproduced or used without the consent of EXM

Ce dessin est confidentiel et ne doit pas être reproduit ou utilisé sans le consentement de EXM

No.	Revisions	Date	By/Par



 Tél: (450) 979-4373 Fax: (450) 979-4626 www.exmweb.com		Flatness Aplatissement  Max 3.0mm
Customer Client		Date
Drawn By Dessiné Par BoxCad: BoxCad		Date 19-Jan-15
Material Matière 12 Ga Galvanized (2.5mm)		
Color Couleur	Unpainted	Finish Fini Unpainted
Description 6500 MXM 2000mm x 1600mm Back Inner Panel		Detail Rev.
Part Number Numéro Pièce 6500MXK201605BIP		Rev. 18 0

Qty	Part Number	Rev	Description
1	STK-A-49005	5	6500 MXM - Bottom Inner Panel Support Assembly (Right)
1	STK-A-49000	5	6500 MXM - Bottom Inner Panel Support Assembly (Left)
1	STK-A-49015	0	6500MXM - Top Inner Panel Support Kit (Right)
1	STK-A-49010	0	6500MXM - Top Inner Panel Support Kit (Left)
1	6500MXK201605BIP-P	0	6500 MXM 2000mm x 1600mm Back Inner Panel Part
Parts List			