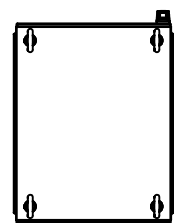
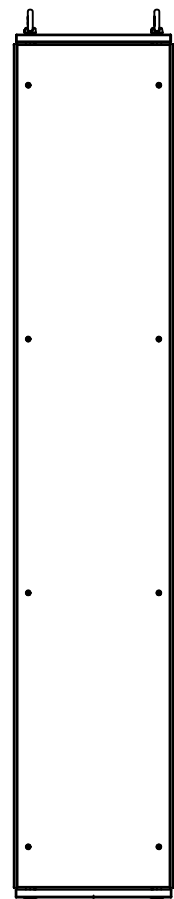


This drawing is confidential and must not be reproduced or used without the consent of EXM

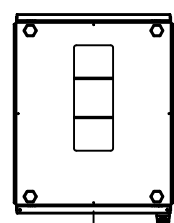
Ce dessin est confidentiel et ne doit pas être reproduit ou utilisé sans le consentement de EXM



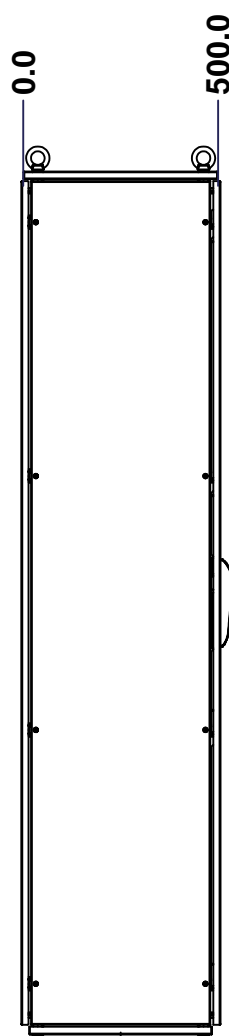
TOP



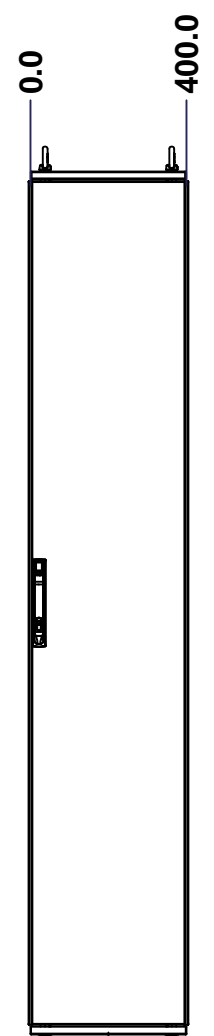
BACK



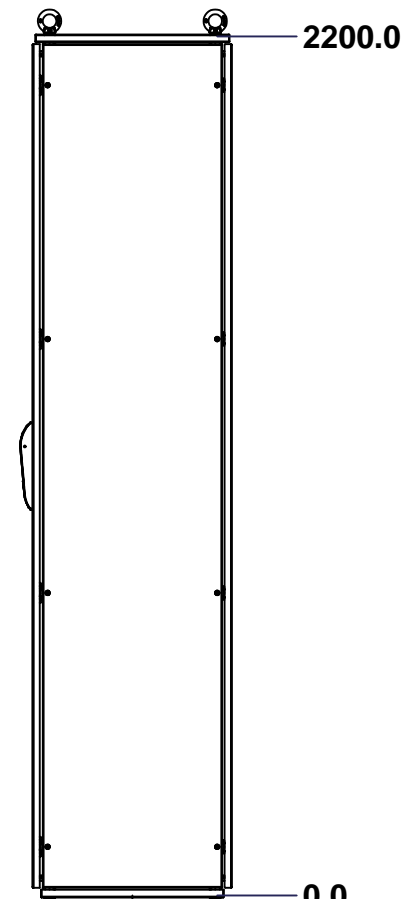
BOTTOM



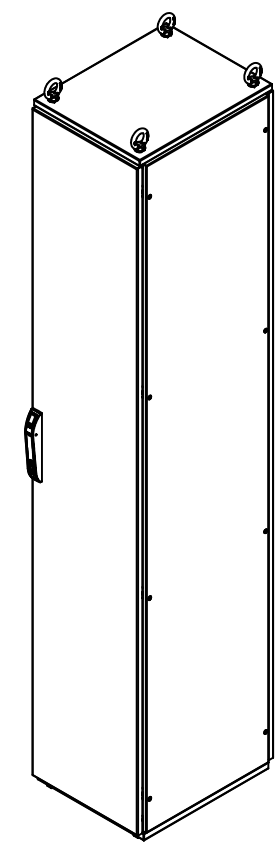
LEFT



FRONT




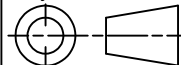
RIGHT



Isometric View



No.	Revisions	Date	By/Par

 Tél: (450) 979-4373 Fax: (450) 979-4626 www.exmweb.com		Flatness Aplatissement Max 3.0mm Projection 
Customer Client	Date	Date
Drawn By Dessiné Par	BoxCad: Annie	Date 08/08/2014
Material Matière	See Part List	
Color Couleur	See Part List	Finish Fini See Part List
Description 6500MX 2200mm x 400mm x 500mm Assembly	Detail Rev.	
Part Number Numéro Pièce	Rev. 0	1 2

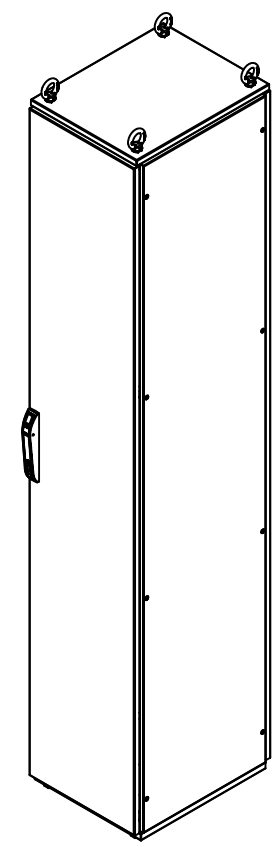
SEE BILL OF MATERIAL ON LAST PAGE

6500MXK220405

This drawing is confidential and must not be reproduced or used without the consent of EXM

Ce dessin est confidentiel et ne doit pas être reproduit ou utilisé sans le consentement de EXM

No.	Revisions	Date	By/Par



Isometric View



Tél: (450) 979-4373
 Fax: (450) 979-4626
www.exmweb.com

Flatness
Aplatissement
Max 3.0mm
Projection

Customer Client
 Drawn By Dessiné Par BoxCad: Annie
 Date 08/08/2014

Material Matière See Part List

Color Couleur See Part List
 Finish Fini See Part List

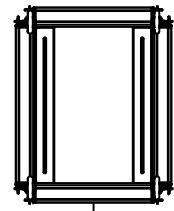
Description 6500MX 2200mm x 400mm x 500mm Assembly
 Detail Rev.

Part Number Numéro Pièce **6500MXK220405**
 Rev. 2
0

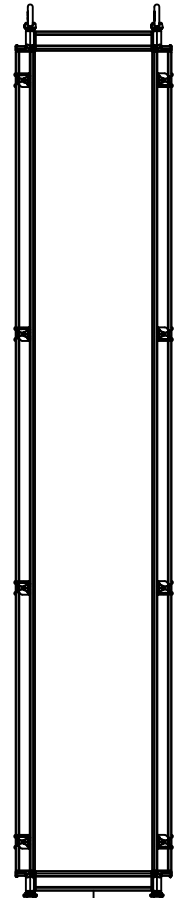
Qty	Part Number	Rev	Description
1	6500MXK220405BIP	0	6500 MXM 2200mm x 400mm Back Inner Panel
1	6500MXK220405R	0	6500 MXC 2200mm x 500mm Right
1	6500MXK220405L	0	6500 MXC 2200mm x 500mm Left
1	6500MXK220405F	0	6500 MXD 2200mm x 400mm Front
1	6500MXK220405B	0	6500 MXR 2200mm x 400mm Back
1	6500MXK220405BT	0	6500 MXB 400mm x 500mm Bottom
1	6500MXK220405T	0	6500 MXT 400mm x 500mm Top
1	6500MXK220405FR	0	6500 MX 2200mm x 400mm x 500mm Frame
Parts List			

This drawing is confidential and must not be reproduced or used without the consent of EXM

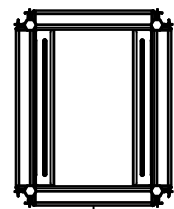
Ce dessin est confidentiel et ne doit pas être reproduit ou utilisé sans le consentement de EXM



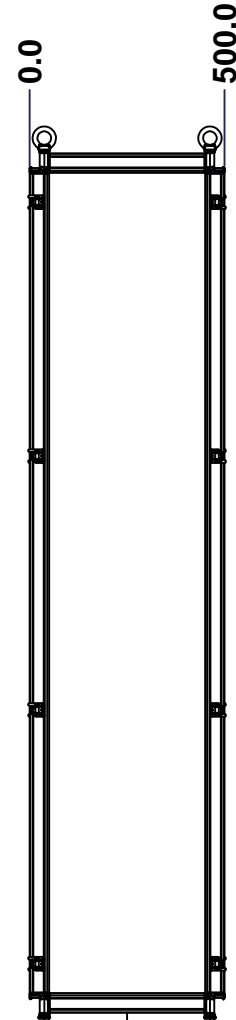
TOP



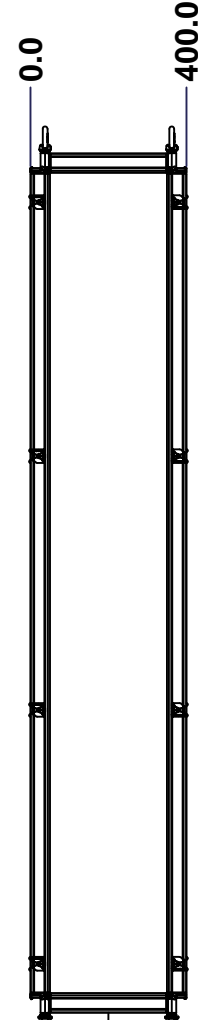
BACK



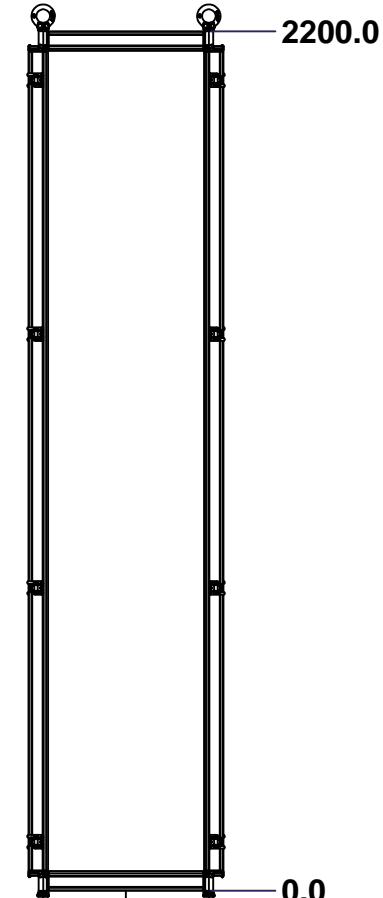
BOTTOM



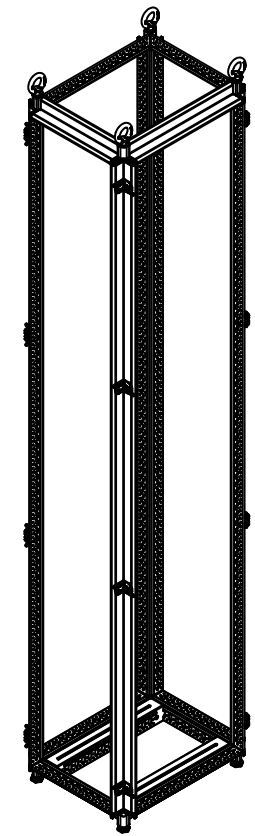
LEFT



FRONT




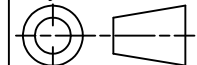
RIGHT



Isometric View



No.	Revisions	Date	By/Par

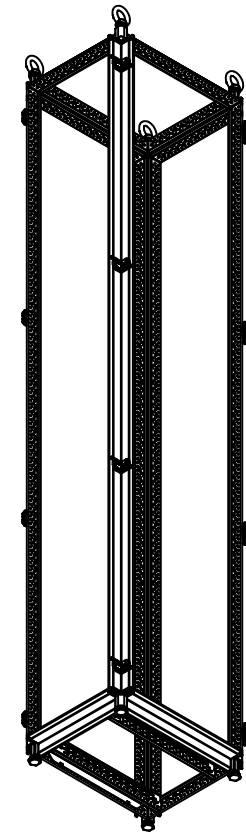
 Tél: (450) 979-4373 Fax: (450) 979-4626 www.exmweb.com		Flatness Aplatissement Max 3.0mm Projection 
Customer Client	Date	
Drawn By Dessiné Par	BoxCad: Annie	Date 08/08/2014
Material Matière	16 Ga Electro-Galvanized (1.4mm)	
Color Couleur	Iron Grey RAL7011	Finish Fini Rough Textured
Description	Detail Rev.	
6500 MX 2200mm x 400mm x 500mm Frame		
Part Number Numéro Pièce	Rev.	
6500MXK220405FR	0	1 2

SEE BILL OF MATERIAL ON LAST PAGE

This drawing is confidential and must not be reproduced or used without the consent of EXM

Ce dessin est confidentiel et ne doit pas être reproduit ou utilisé sans le consentement de EXM


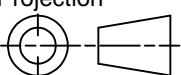
No.	Revisions	Date	By/Par



Isometric View



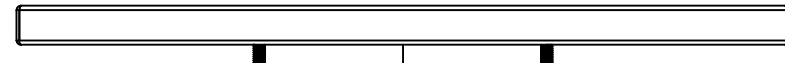
Qty	Part Number	Rev	Description
1	STK-P-03810R	0	Powder Paint (Iron Grey / Rough Textured)
1	STK-Q-49055	3	6500 MXM Inner Panel Slider 500mm
1	STK-Q-49055-L	3	6500 MXM Inner Panel Slider 500mm
4	STK-Q-49500	3	M12 Eye Bolt (0.34T)
4	STK-Q-61110	0	M12 Feet Leveler
8	STK-Q-00610	1	M18 x 30.5mm Bolt - Cover
4	STK-Q-47251-22	3	6500 MX 2200mm Vertical Frame Post Part
4	STK-Q-47250-04	3	6500 MX 400mm Horizontal Frame Post Part
4	STK-Q-47250-05	3	6500 MX 500mm Horizontal Frame Post Part
8	STK-Q-49445	2	6500 MX - Frame Corner Bracket Casting
16	STK-K-11001	2	3 Way Fixed Bracket Kit

 Tél: (450) 979-4373 Fax: (450) 979-4626 www.exmweb.com		Flatness Aplatissement Max 3.0mm Projection 	
Customer Client		Date	
Drawn By Dessiné Par BoxCad: Annie		Date 08/08/2014	
Material Matière		16 Ga Electro-Galvanized (1.4mm)	
Color Couleur		Iron Grey RAL7011	Finish Fini Rough Textured
Description		Detail Rev.	
6500 MX 2200mm x 400mm x 500mm Frame			
Part Number Numéro Pièce		Rev. 0	2
6500MXK220405FR			2

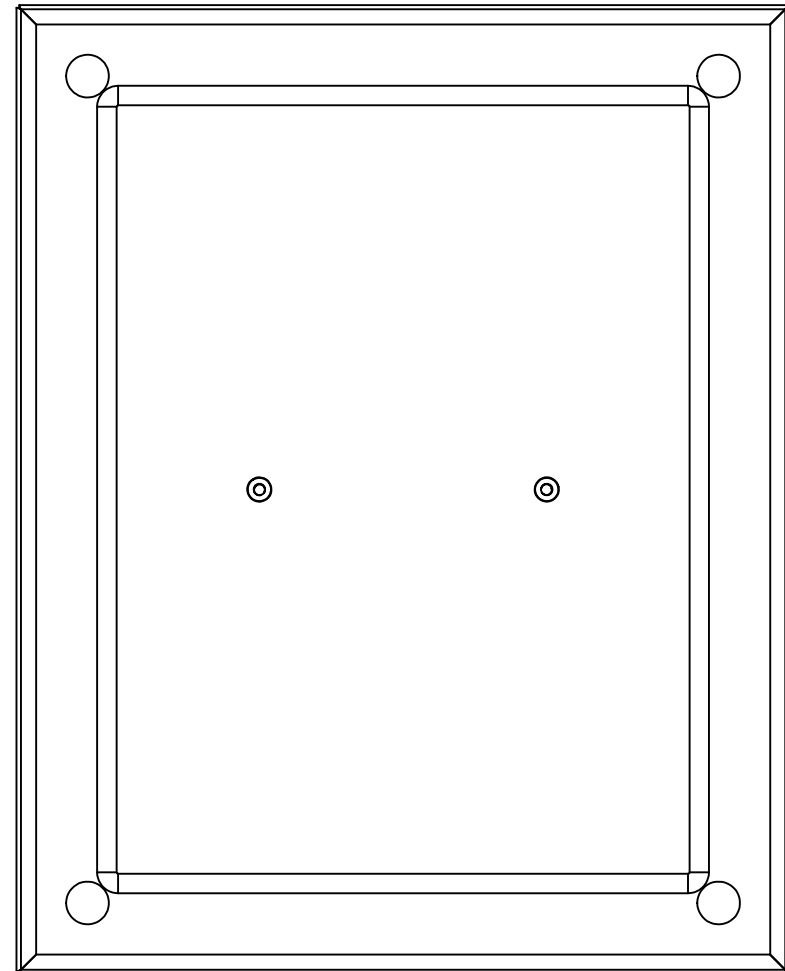
Parts List

This drawing is confidential and must not be reproduced or used without the consent of EXM

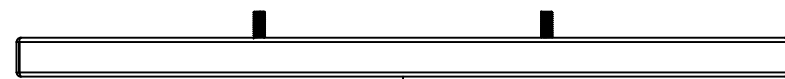
Ce dessin est confidentiel et ne doit pas être reproduit ou utilisé sans le consentement de EXM



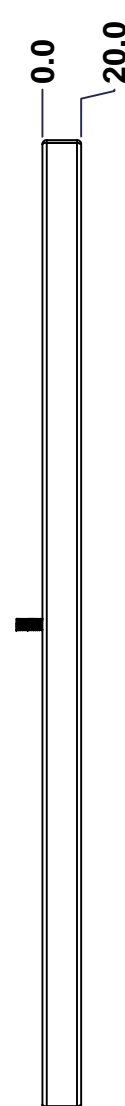
TOP



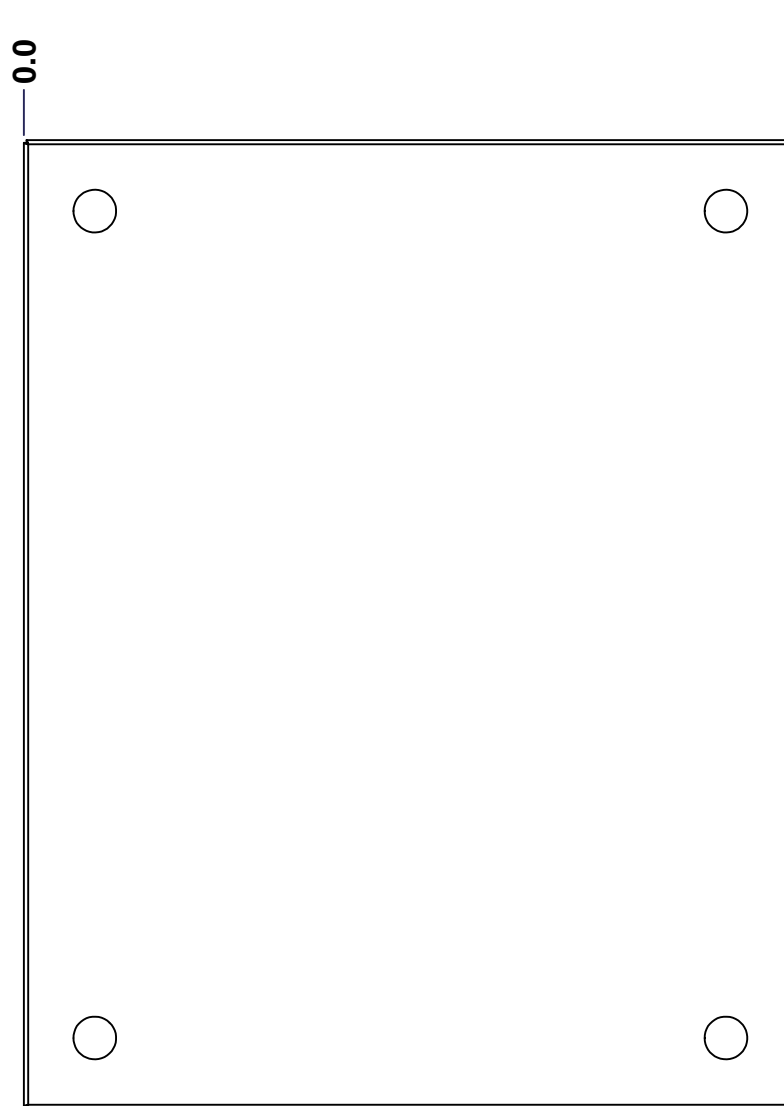
BACK



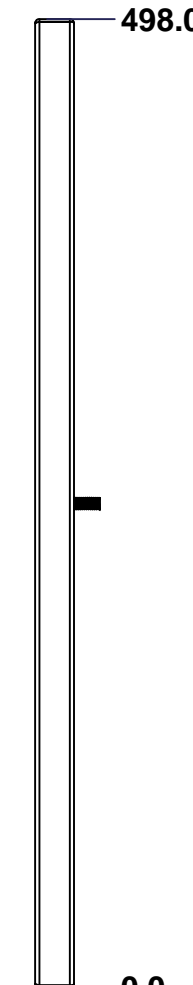
BOTTOM



LEFT

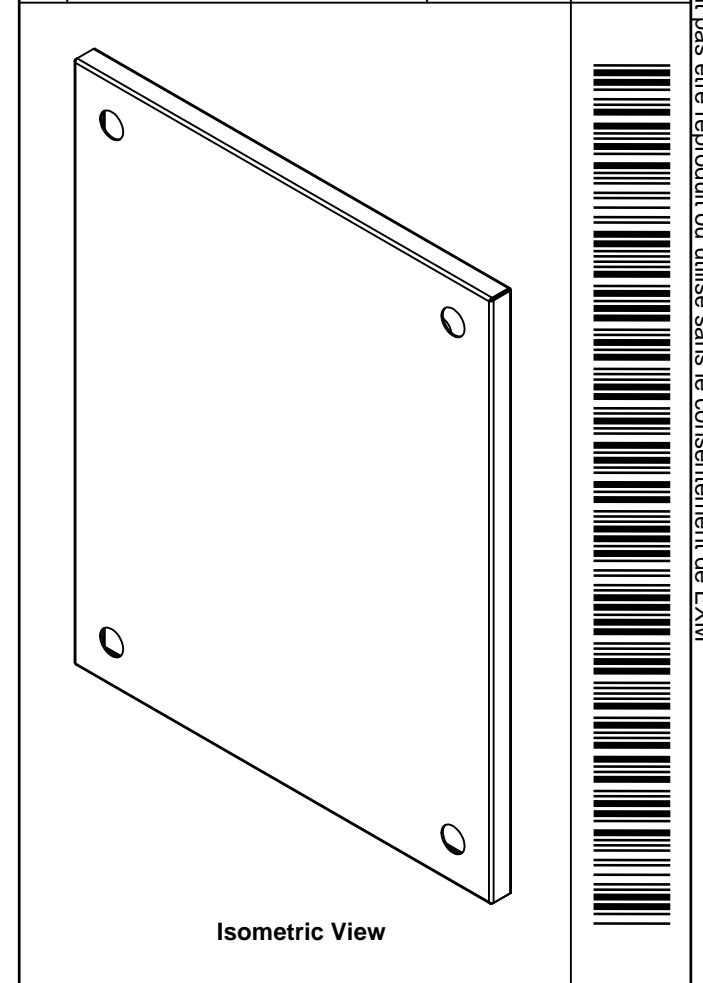



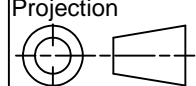
FRONT



RIGHT

No.	Revisions	Date	By/Par



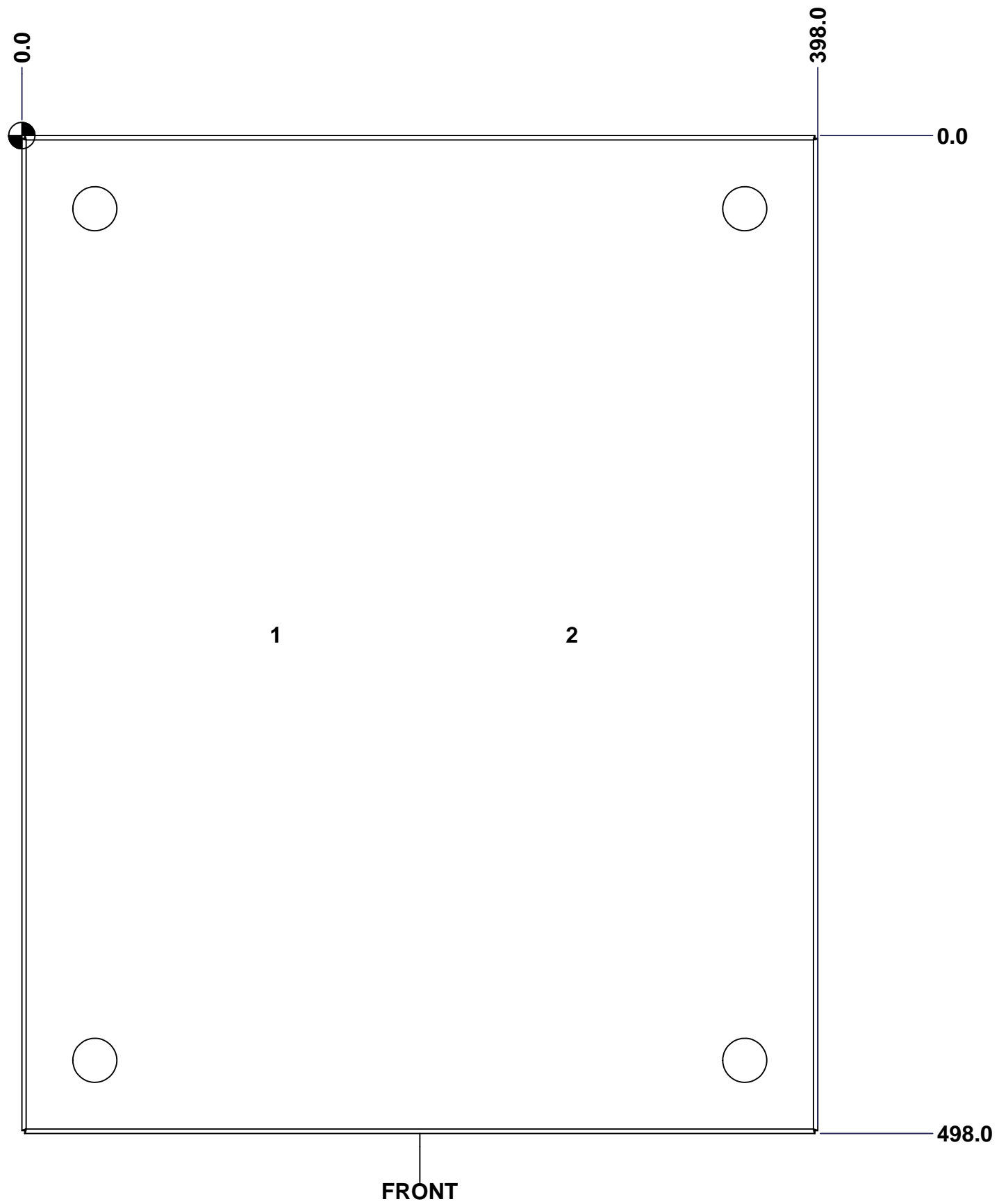
 Tél: (450) 979-4373 Fax: (450) 979-4626 www.exmweb.com		Flatness Aplatissement Max 3.0mm Projection 
Customer Client	Date	
Drawn By Dessiné Par	BoxCad: Annie	Date 08/08/2014
Material Matière	16 Ga H.R.P. & O. (1.4mm)	
Color Couleur	Iron Grey RAL7011	Finish Fin Rough Textured
Description	Detail Rev.	
6500 MXT 400mm x 500mm Top		
Part Number Numéro Pièce	Rev.	1 3
6500MXK220405T	0	

SEE BILL OF MATERIAL ON LAST PAGE

This drawing is confidential and must not be reproduced or used without the consent of EXM

Ce dessin est confidentiel et ne doit pas être reproduit ou utilisé sans le consentement de EXM

STANDARD FEATURES ARE NOT LISTED IN THIS HOLE TABLE			
HOLE TABLE - FRONT VIEW (CUSTOM FEATURE ONLY)			
CUT-OUT	XDIM	YDIM	DESCRIPTION
1	125.0	249.0	GND STUD M6 x 16mm (Inside)
2	273.0	249.0	GND STUD M6 x 16mm (Inside)



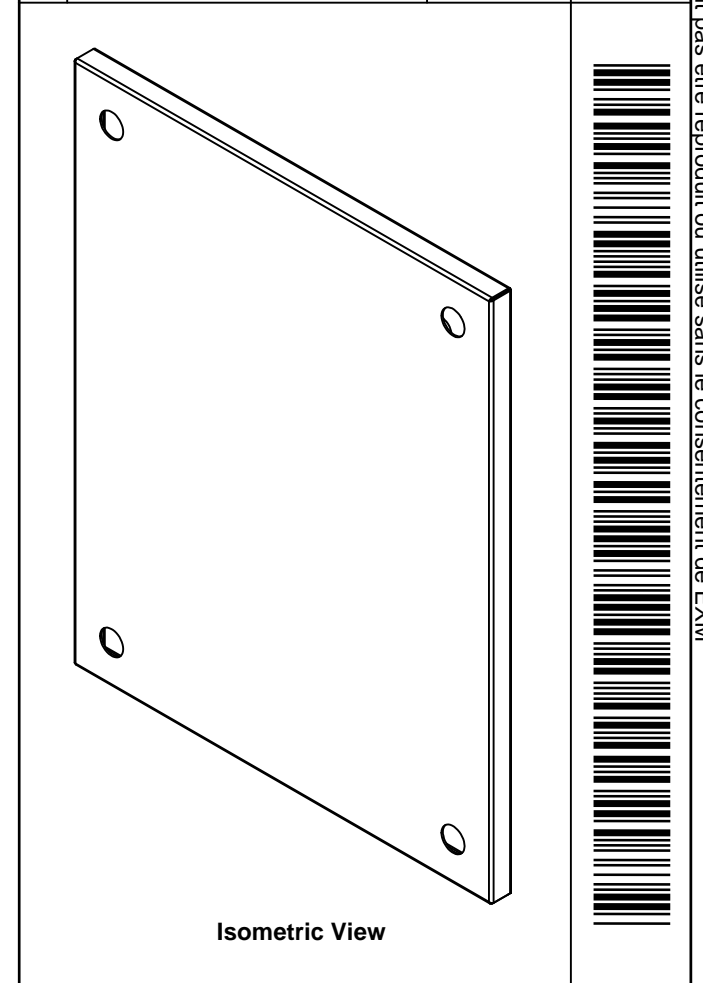
FRONT

	Description	Status
	6500 MXT 400mm x 500mm Top	(NULL)
	Part Number Numéro Pièce	Rev.
	6500MXK220405T	0
		2
		3

This drawing is confidential and must not be reproduced or used without the consent of EXM

Ce dessin est confidentiel et ne doit pas être reproduit ou utilisé sans le consentement de EXM

No.	Revisions	Date	By/Par

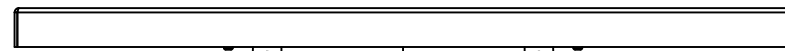


Tél: (450) 979-4373 Fax: (450) 979-4626 www.exmweb.com		Flatness Aplatissement	
		Max 3.0mm Projection	
Customer Client		Date	
Drawn By Dessiné Par BoxCad: Annie		Date 08/08/2014	
Material Matière 16 Ga H.R.P. & O. (1.4mm)			
Color Couleur Iron Grey RAL7011		Finish Fini Rough Textured	
Description 6500 MXT 400mm x 500mm Top			Detail Rev.
Part Number Numéro Pièce 6500MXK220405T		Rev. 0	3 3

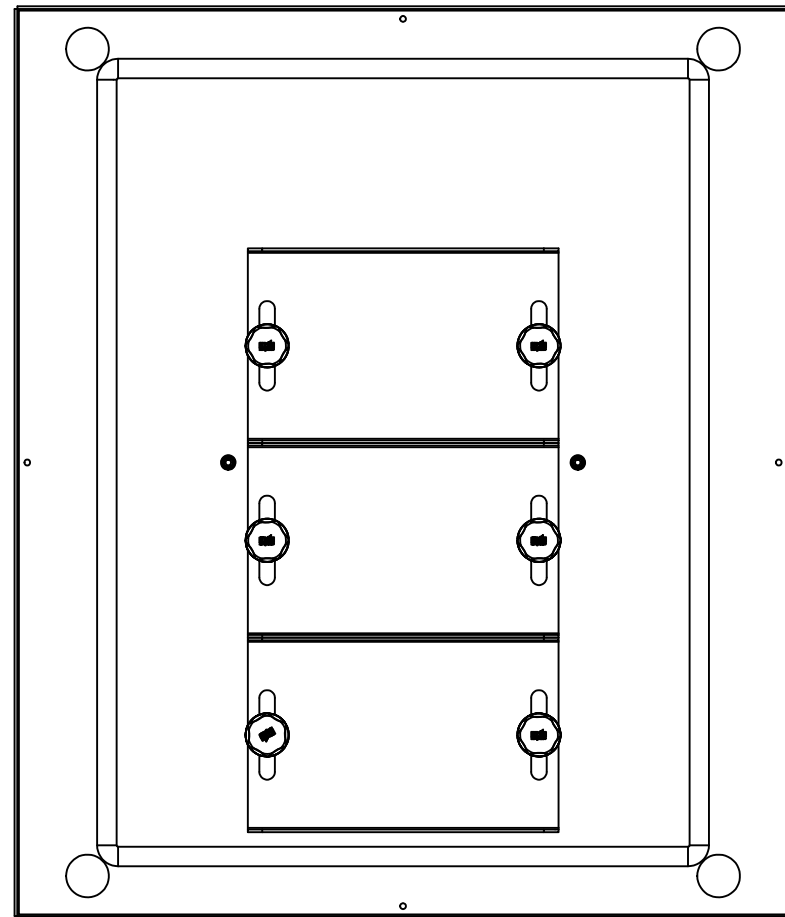
Qty	Part Number	Rev	Description
1	STK-P-03810R	0	Powder Paint (Iron Grey / Rough Textured)
2	STK-Q-16080	0.1.1	M6 x 16mm Ground Stud
1	6500MXK220405TG	0	6500 MXT 400mm x 500mm Top Gasket
1	6500MXK220405T-P	0	6500 MXT 400mm x 500mm Top Part
Parts List			

This drawing is confidential and must not be reproduced or used without the consent of EXM

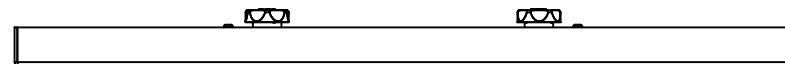
Ce dessin est confidentiel et ne doit pas être reproduit ou utilisé sans le consentement de EXM



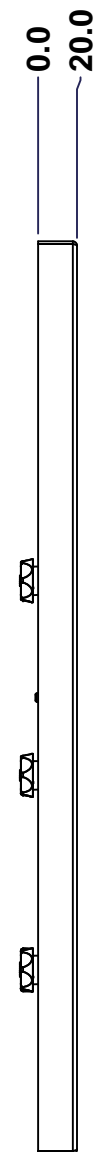
TOP



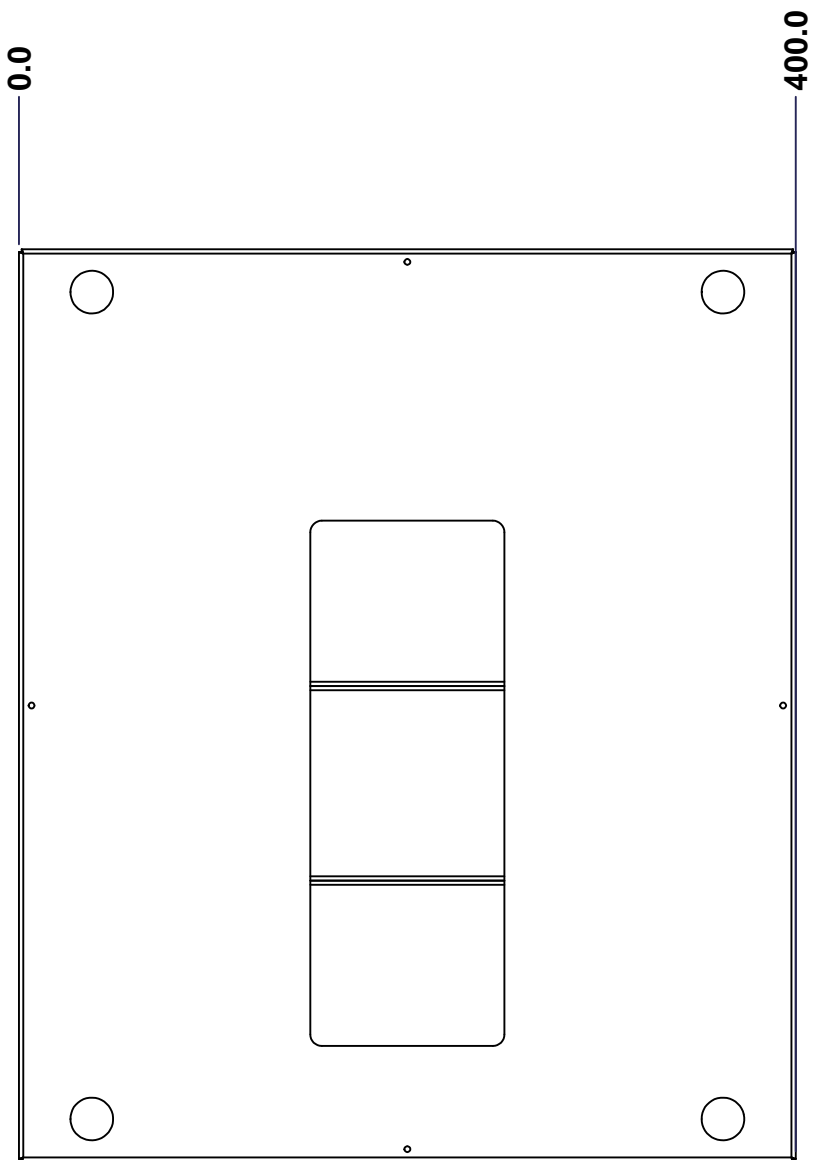
BACK



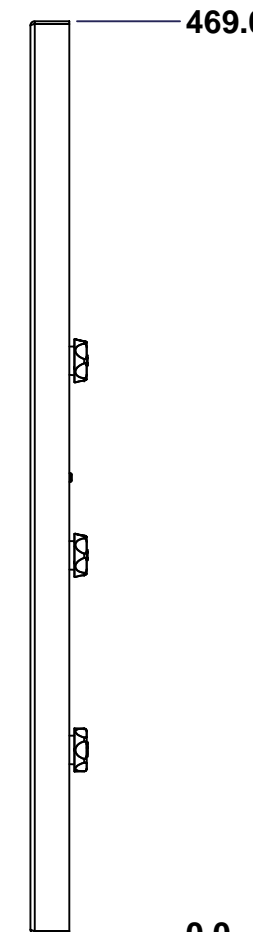
BOTTOM



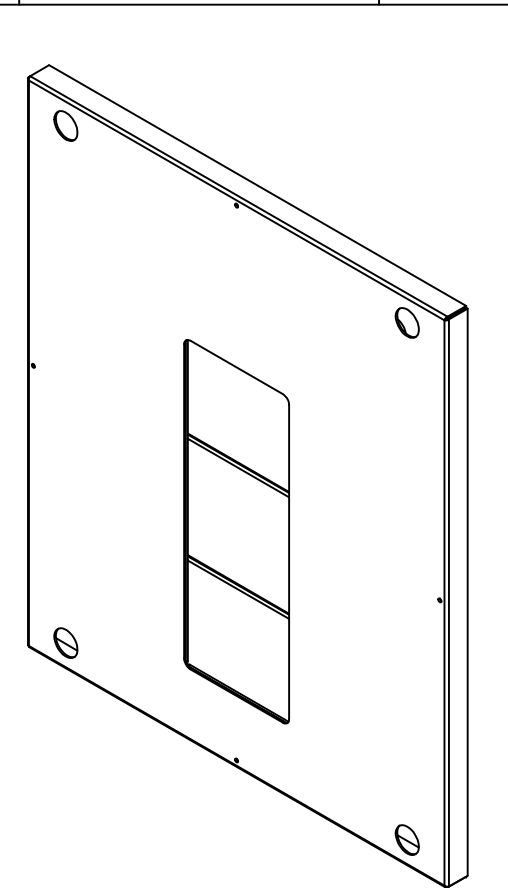
LEFT



FRONT




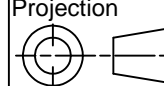
RIGHT



Isometric View



No.	Revisions	Date	By/Par

 Tél: (450) 979-4373 Fax: (450) 979-4626 www.exmweb.com		Flatness Aplatissement Max 3.0mm Projection 
Customer Client	Date	
Drawn By Dessiné Par	BoxCad: Annie	Date 08/08/2014
Material Matière	16 Ga H.R.P. & O. (1.4mm)	
Color Couleur	Iron Grey RAL7011	Finish Fini
Description		Detail Rev.
6500 MXB 400mm x 500mm Bottom		
Part Number Numéro Pièce	Rev.	1
6500MXK220405BT	0	3

SEE BILL OF MATERIAL ON LAST PAGE

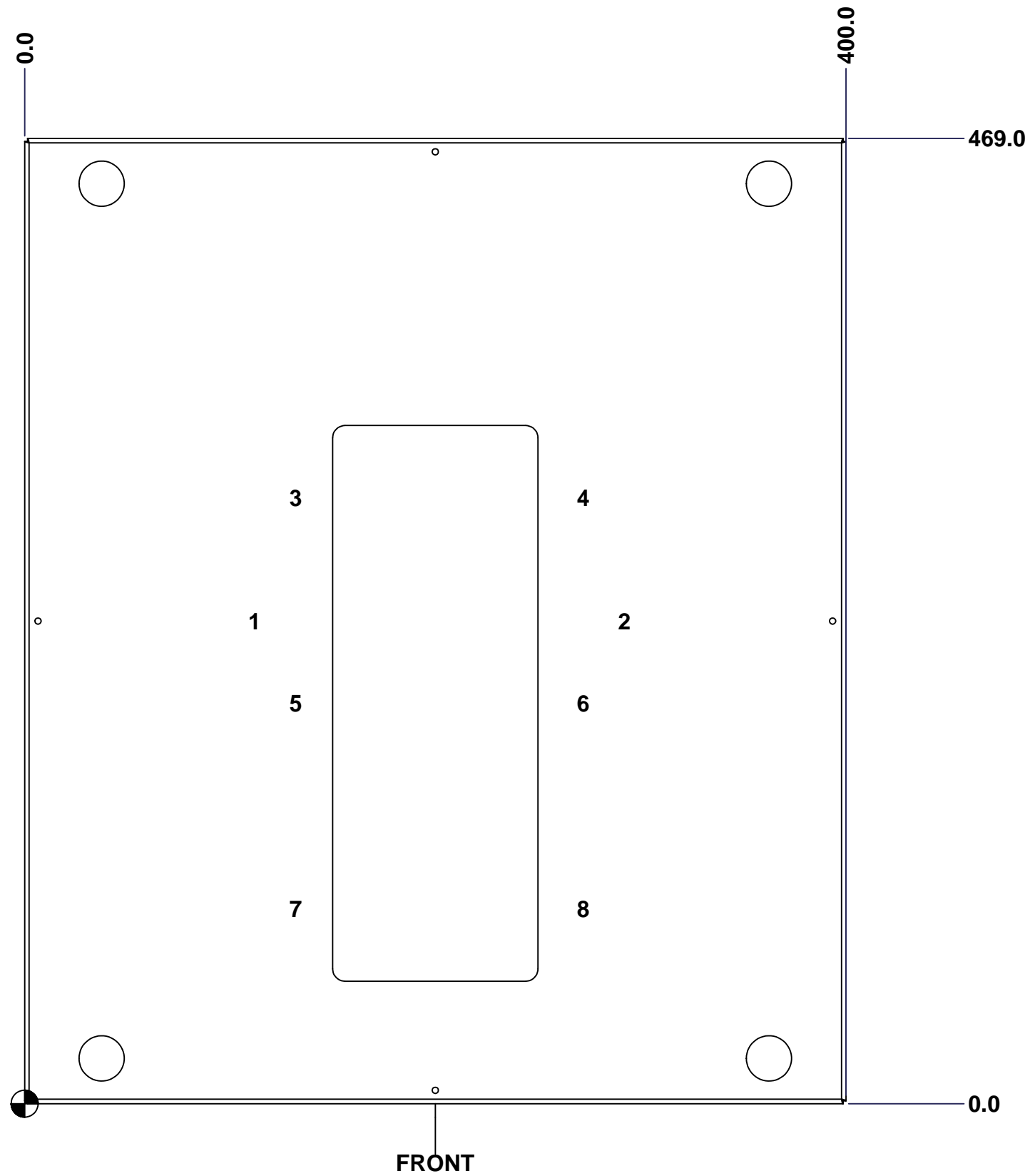
This drawing is confidential and must not be reproduced or used without the consent of EXM

Ce dessin est confidentiel et ne doit pas être reproduit ou utilisé sans le consentement de EXM

STANDARD FEATURES ARE NOT LISTED IN THIS HOLE TABLE

HOLE TABLE - FRONT VIEW (CUSTOM FEATURE ONLY)

CUT-OUT	XDIM	YDIM	DESCRIPTION
1	110.0	234.5	GND STUD M6 x 16mm (Inside)
2	290.0	234.5	GND STUD M6 x 16mm (Inside)
3	130.0	294.5	GP STUD M6 x 10mm (Inside)
4	270.0	294.5	GP STUD M6 x 10mm (Inside)
5	130.0	194.5	GP STUD M6 x 10mm (Inside)
6	270.0	194.5	GP STUD M6 x 10mm (Inside)
7	130.0	94.5	GP STUD M6 x 10mm (Inside)
8	270.0	94.5	GP STUD M6 x 10mm (Inside)

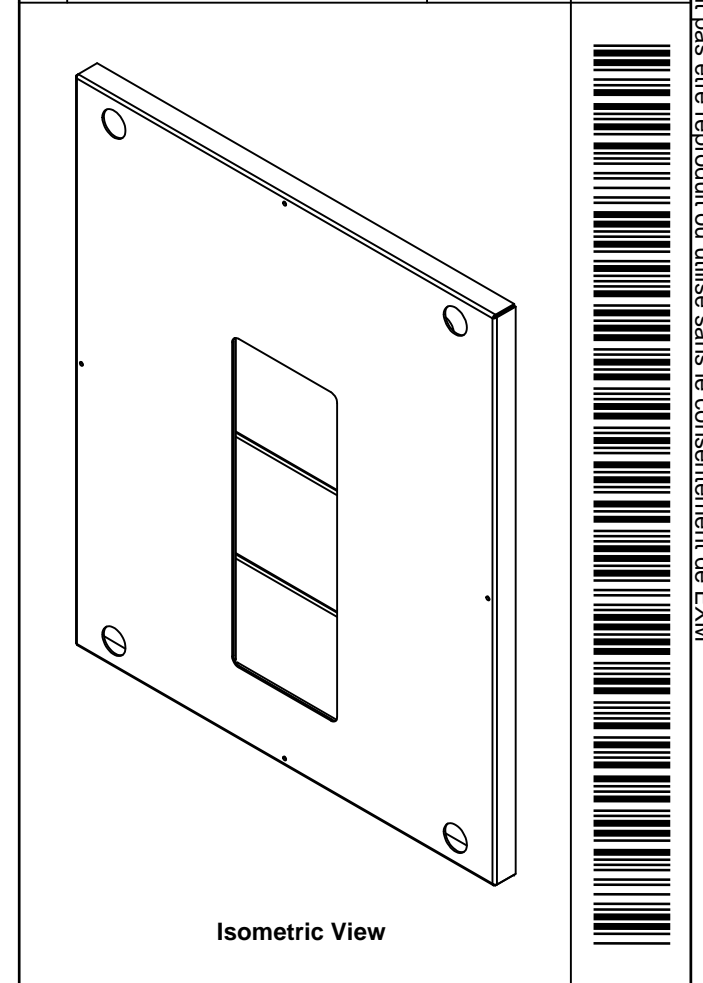



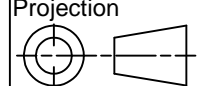
	Description	Status	
	6500 MXB 400mm x 500mm Bottom	(NULL)	
	Part Number Numéro Pièce	Rev.	
	6500MXK220405BT	0	2 3

This drawing is confidential and must not be reproduced or used without the consent of EXM

Ce dessin est confidentiel et ne doit pas être reproduit ou utilisé sans le consentement de EXM

No.	Revisions	Date	By/Par

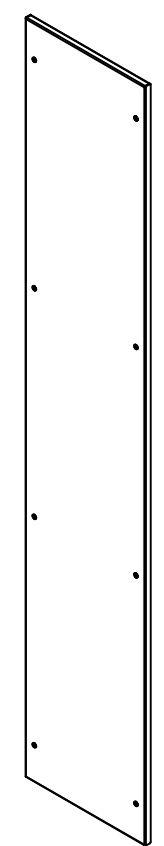
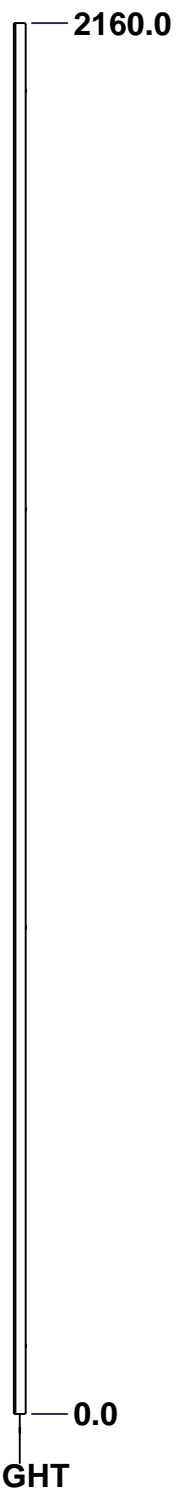
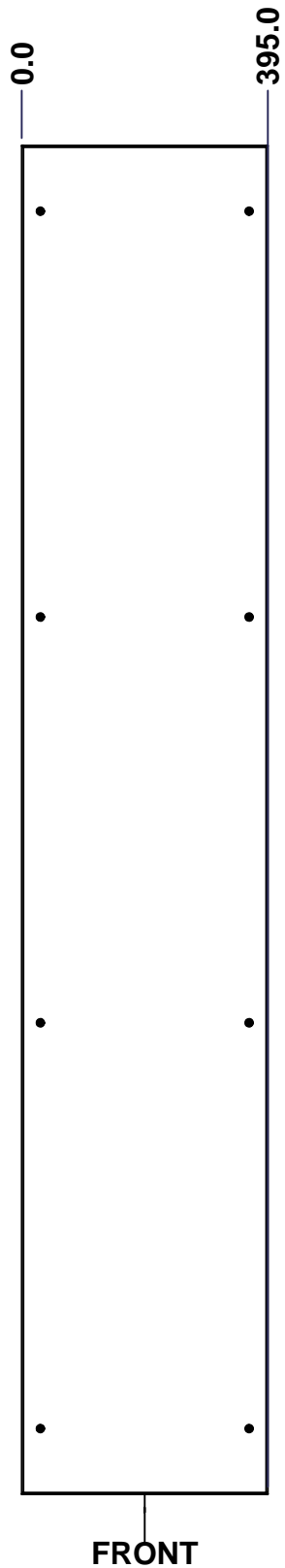
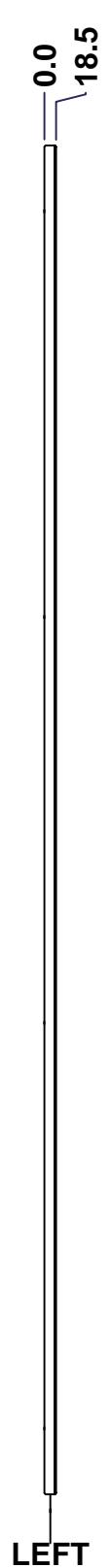
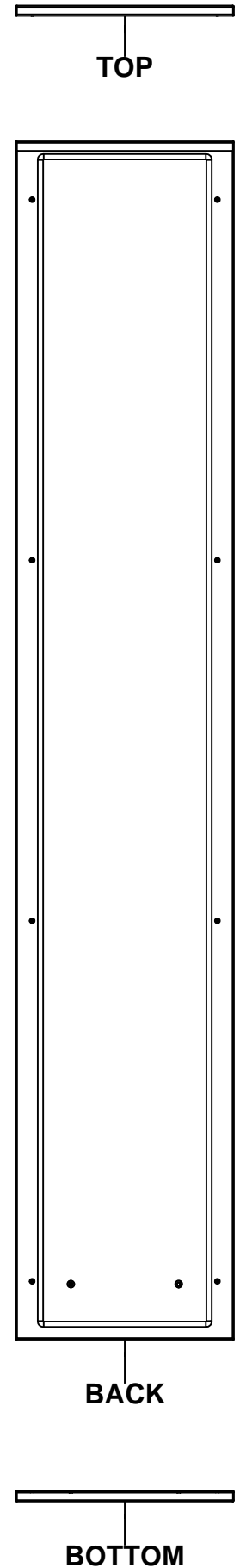


 Tél: (450) 979-4373 Fax: (450) 979-4626 www.exmweb.com		Flatness Aplatissement Max 3.0mm Projection 
Customer Client	Date	
Drawn By Dessiné Par	BoxCad: Annie	Date 08/08/2014
Material Matière	16 Ga H.R.P. & O. (1.4mm)	
Color Couleur	Iron Grey RAL7011	Finish Fini Rough Textured
Description	Detail Rev.	
6500 MXB 400mm x 500mm Bottom		
Part Number Numéro Pièce	Rev.	3
6500MXK220405BT	0	3

Qty	Part Number	Rev	Description
1	STK-P-03810R	0	Powder Paint (Iron Grey / Rough Textured)
6	STK-Q-06001	0	Mtrx - Gland Plate M6 Plastic Thumb Nut
2	STK-Q-16055	1	M6 x 18mm Stud (No Paint Cap Required)
3	6500MXK220405GP100-P	0	6500 MXB 400mm Gland Plate Part (100mm)
6	STK-Q-16031	0	M6 x 10mm Stud (No Paint Cap Required)
1	6500MXK220405BTGPG	0	6500 MXB 400mm x 500mm Bottom Gland Plate Gasket
1	6500MXK220405BTG	0	6500 MXB 400mm x 500mm Bottom Gasket
1	6500MXK220405BT-P	0	6500 MXB 400mm x 500mm Bottom Part
Parts List			

This drawing is confidential and must not be reproduced or used without the consent of EXM


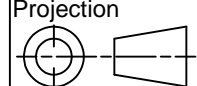
Ce dessin est confidentiel et ne doit pas être reproduit ou utilisé sans le consentement de EXM



Isometric View



No.	Revisions	Date	By/Par

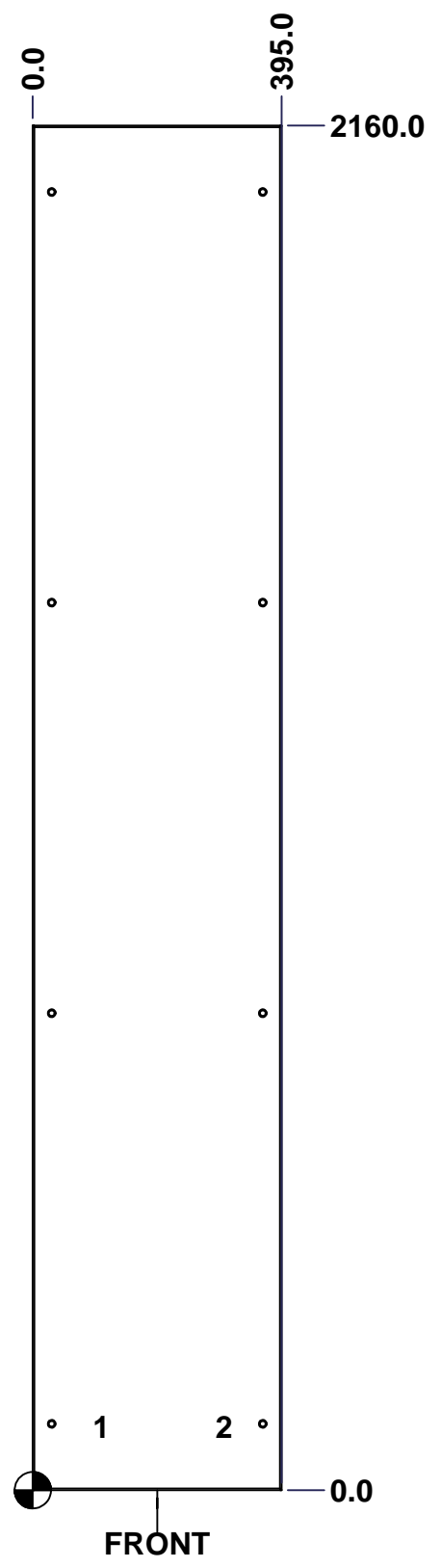
 Tél: (450) 979-4373 Fax: (450) 979-4626 www.exmweb.com		Flatness Aplatissement Max 3.0mm Projection 
Customer Client	Date	Date
Drawn By Dessiné Par	BoxCad: Annie	Date 08/08/2014
Material Matière	14 Ga H.R.P. & O. (1.7mm)	
Color Couleur	Light Grey RAL7035	Finish Fini
Description		Detail Rev.
6500 MXR 2200mm x 400mm Back		
Part Number Numéro Pièce	Rev.	
6500MXK220405B	0	1 / 3

SEE BILL OF MATERIAL ON LAST PAGE

This drawing is confidential and must not be reproduced or used without the consent of EXM

Ce dessin est confidentiel et ne doit pas être reproduit ou utilisé sans le consentement de EXM

STANDARD FEATURES ARE NOT LISTED IN THIS HOLE TABLE			
HOLE TABLE - FRONT VIEW (CUSTOM FEATURE ONLY)			
CUT-OUT	XDIM	YDIM	DESCRIPTION
1	100.0	100.0	GND STUD M6 x 16mm (Inside)
2	295.0	100.0	GND STUD M6 x 16mm (Inside)

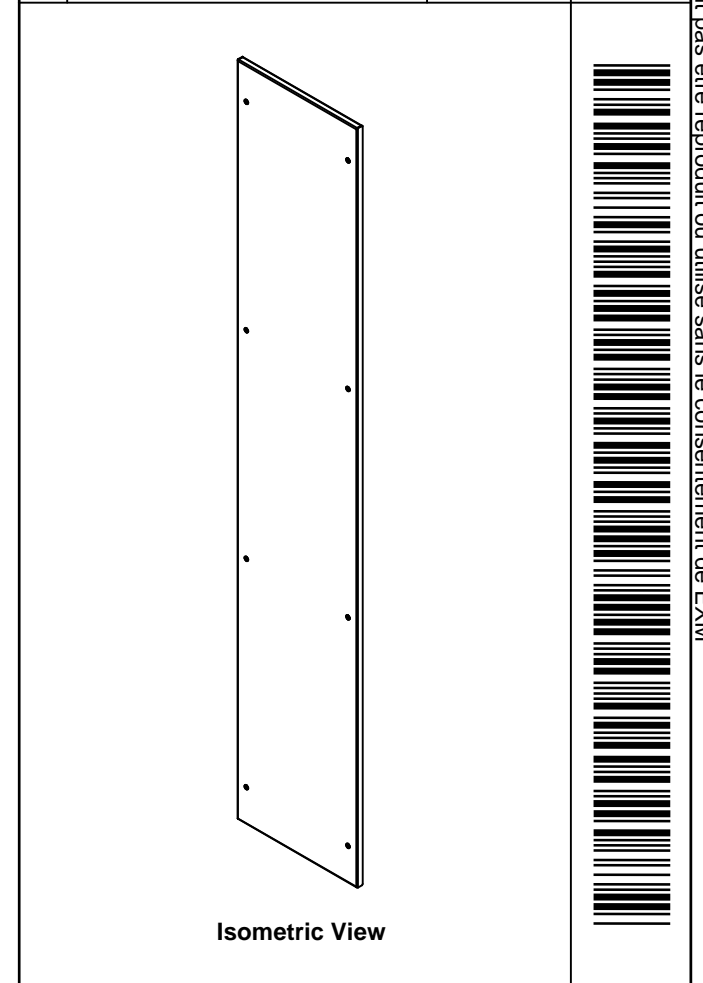



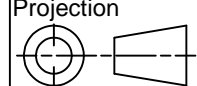
	Description	Status
	6500 MXR 2200mm x 400mm Back	(NULL)
	Part Number Numéro Pièce	Rev.
	6500MXK220405B	0
		2
		3

This drawing is confidential and must not be reproduced or used without the consent of EXM

Ce dessin est confidentiel et ne doit pas être reproduit ou utilisé sans le consentement de EXM

No.	Revisions	Date	By/Par

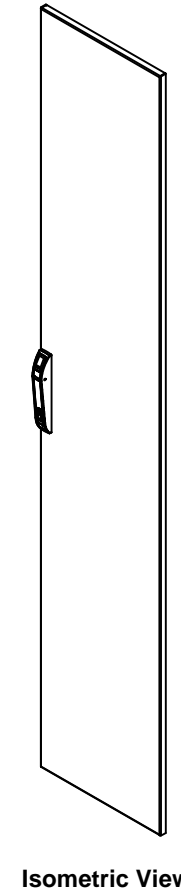
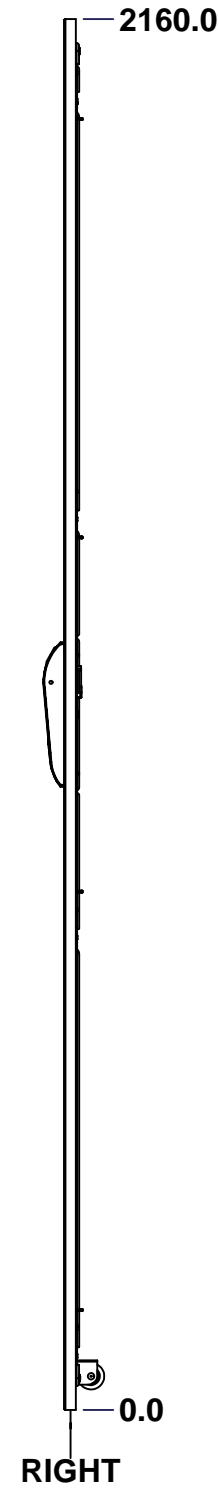
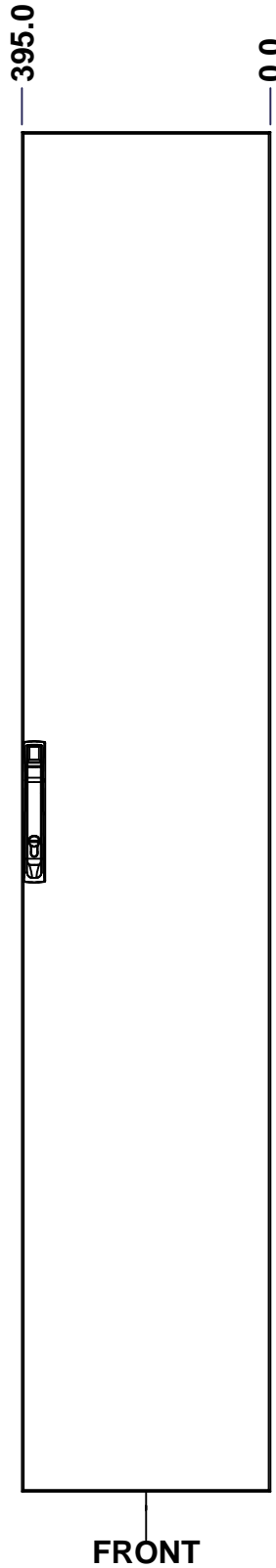
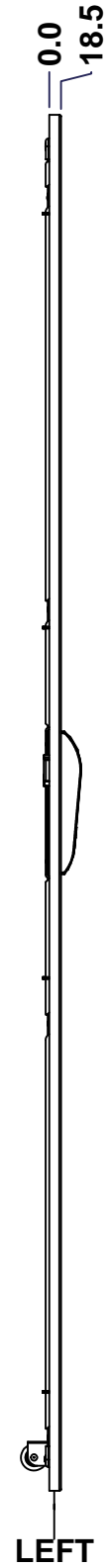
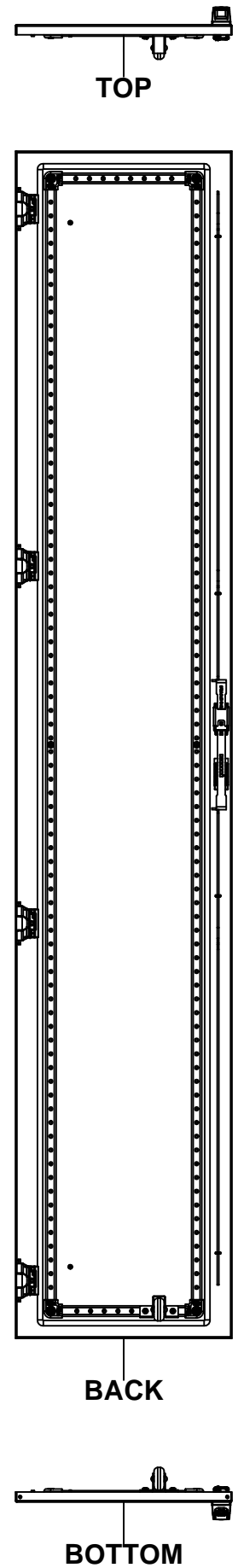


 Tél: (450) 979-4373 Fax: (450) 979-4626 www.exmweb.com		Flatness Aplatissement Max 3.0mm Projection 	
Customer Client		Date	
Drawn By / Dessiné Par: BoxCad: Annie		Date: 08/08/2014	
Material / Matière: 14 Ga H.R.P. & O. (1.7mm)			
Color / Couleur: Light Grey RAL7035		Finish / Fini: Rough Textured	
Description: 6500 MXR 2200mm x 400mm Back			Detail Rev.
Part Number / Numéro Pièce: 6500MXK220405B			Rev. 3

Qty	Part Number	Rev	Description
1	STK-P-03820R	0	Powder Paint (Light Grey / Rough Textured)
8	STK-Q-03072	2	M6 x 17mm Phillips Flat Head Screw
2	STK-Q-16080	0.1.1	M6 x 16mm Ground Stud
1	6500MXK220405BG	0	6500 MXR 2200mm x 400mm Back Gasket
1	6500MXK220405B-P	0	6500 MXR 2200mm x 400mm Back Part
Parts List			

This drawing is confidential and must not be reproduced or used without the consent of EXM


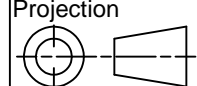
Ce dessin est confidentiel et ne doit pas être reproduit ou utilisé sans le consentement de EXM



Isometric View



No.	Revisions	Date	By/Par

 Tél: (450) 979-4373 Fax: (450) 979-4626 www.exmweb.com		Flatness Aplatissement Max 3.0mm Projection 
Customer Client	Date	
Drawn By Dessiné Par	BoxCad: Annie	Date 08/08/2014
Material Matière	14 Ga H.R.P. & O. (1.7mm)	
Color Couleur	Light Grey RAL7035	Finish Fini Rough Textured
Description 6500 MXD 2200mm x 400mm Front		Detail Rev.
Part Number Numéro Pièce	Rev. 0	1 3

SEE BILL OF MATERIAL ON LAST PAGE

6500MXK220405F

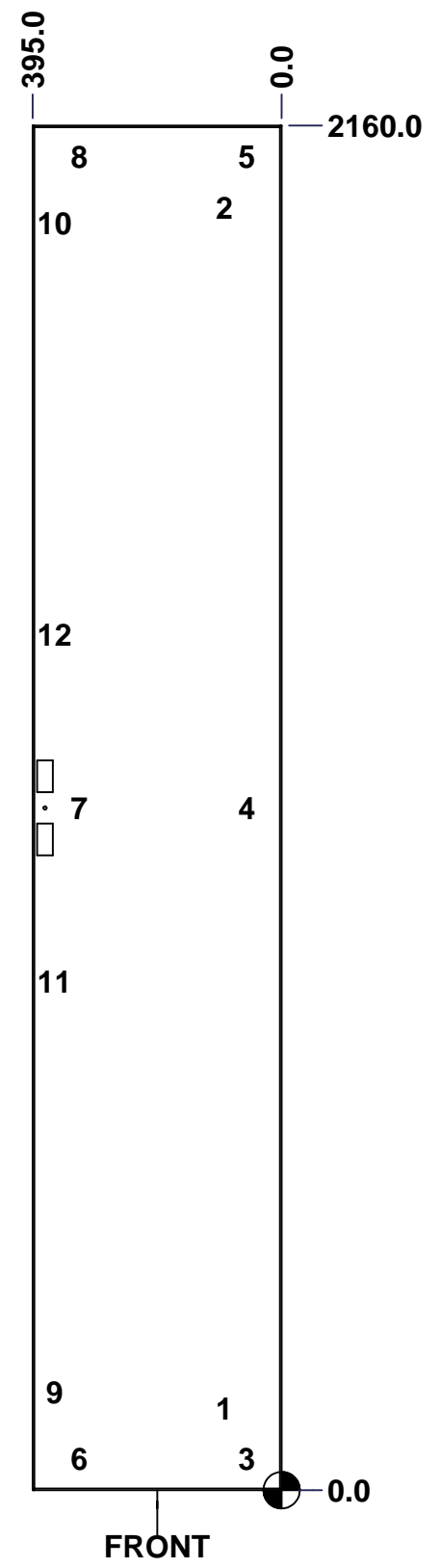
This drawing is confidential and must not be reproduced or used without the consent of EXM

Ce dessin est confidentiel et ne doit pas être reproduit ou utilisé sans le consentement de EXM

STANDARD FEATURES ARE NOT LISTED IN THIS HOLE TABLE

HOLE TABLE - FRONT VIEW (CUSTOM FEATURE ONLY)

CUT-OUT	XDIM	YDIM	DESCRIPTION
1	100.0	130.0	GND STUD M6 x 16mm (Inside)
2	100.0	2030.0	GND STUD M6 x 16mm (Inside)
3	64.5	49.5	STIFF. STUD M6 x 18mm (Inside)
4	64.5	1080.0	STIFF. STUD M6 x 18mm (Inside)
5	64.5	2110.5	STIFF. STUD M6 x 18mm (Inside)
6	330.5	49.5	STIFF. STUD M6 x 18mm (Inside)
7	330.5	1080.0	STIFF. STUD M6 x 18mm (Inside)
8	330.5	2110.5	STIFF. STUD M6 x 18mm (Inside)
9	369.5	155.0	CLOSING BAR GUIDE (Inside)
10	369.5	2005.0	CLOSING BAR GUIDE (Inside)
11	369.5	805.0	CLOSING BAR GUIDE (Inside)
12	369.5	1355.0	CLOSING BAR GUIDE (Inside)

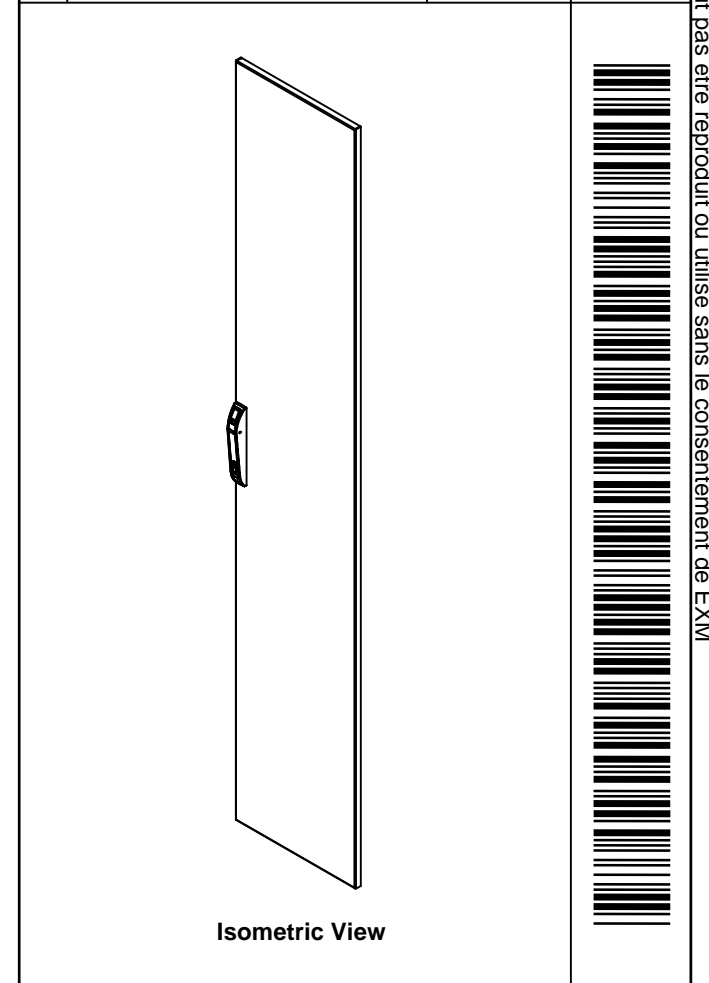


	Description	Status	
	6500 MXD 2200mm x 400mm Front	(NULL)	
	Part Number Numéro Pièce	Rev.	
	6500MXK220405F	0	2 3


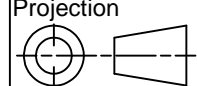
This drawing is confidential and must not be reproduced or used without the consent of EXM

Ce dessin est confidentiel et ne doit pas être reproduit ou utilisé sans le consentement de EXM

No.	Revisions	Date	By/Par

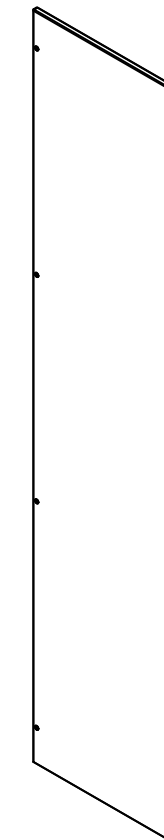
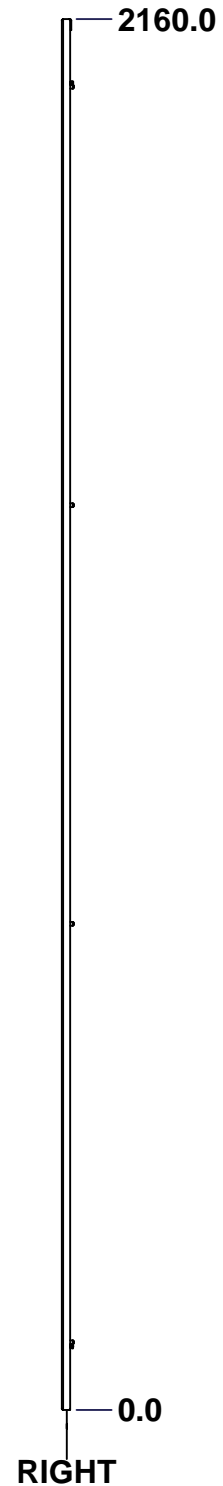
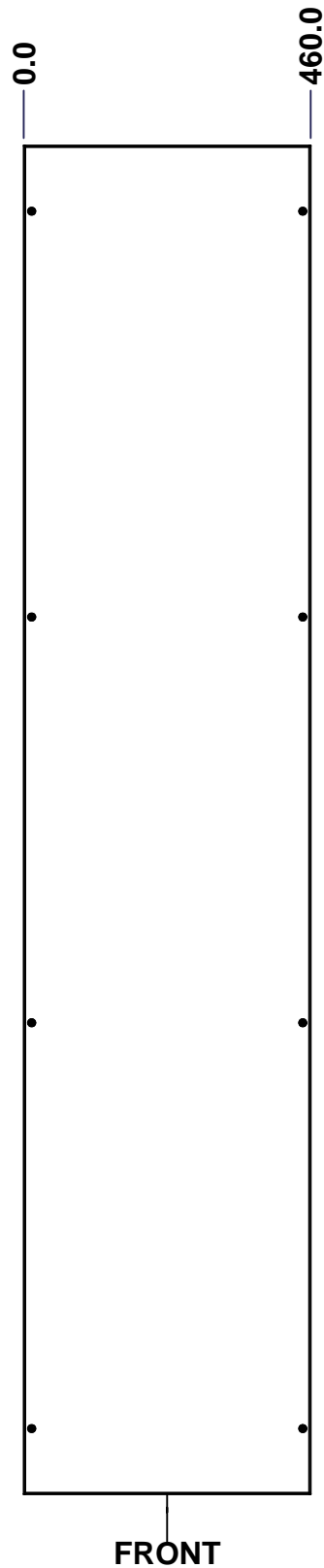
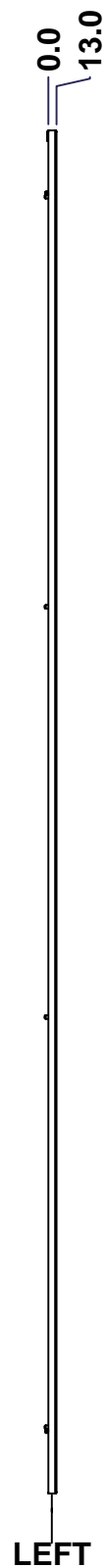
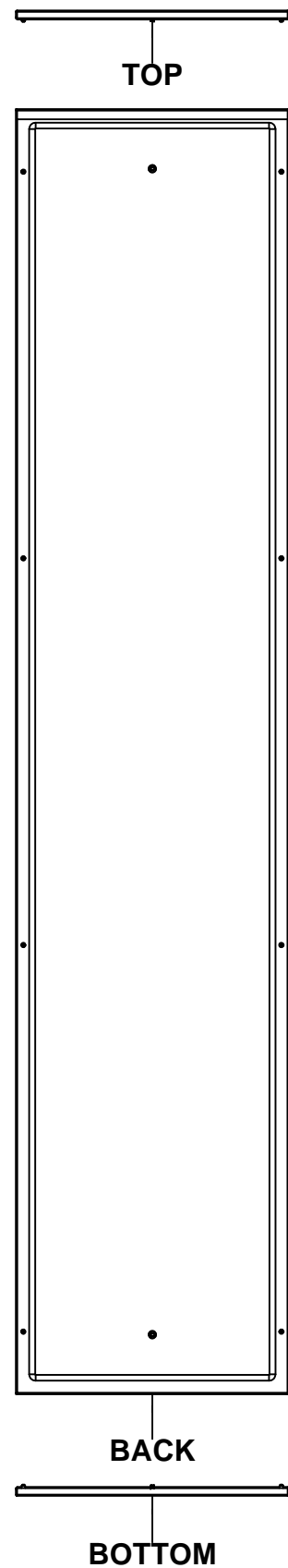


1	STK-P-03820R	0	Powder Paint (Light Grey / Rough Textured)
1	6500MXSRK	1	6500 MXRSK Door Support Roller
4	STK-Q-78022	0	Mtrx Closing Bar Slider
1	STK-Q-45746-22	1	6500 MXD - Lock Door Closing Bar
4	STK-Q-33105	4	5412 ESBU Buttable Hinge (Cover Part)
1	STK-Q-45729-22	2	6500 MXD - Lock Door Top Closing Bar
1	886PHD-S	4	Euroform Pull Handle Kit
8	STK-Q-16055	1	M6 x 18mm Stud (No Paint Cap Required)
1	6500MXK220405DS1	5	6500 MX 2200mm x 400mm Door Stiffener
1	6500MXK220405FG	0	6500 MXD 2200mm x 400mm Front Gasket
1	6500MXK220405F-P	0	6500 MXD 2200mm x 400mm Front Part
4	STK-K-06811	1	6500 MX - Hinge Assy
Qty	Part Number	Rev	Description
Parts List			

 Tél: (450) 979-4373 Fax: (450) 979-4626 www.exmweb.com	Flatness Aplatissement	Max 3.0mm
	Projection	
Customer Client	Date	
Drawn By Dessiné Par	BoxCad: Annie	Date 08/08/2014
Material Matière	14 Ga H.R.P. & O. (1.7mm)	
Color Couleur	Light Grey RAL7035	Finish Fini
		Rough Textured
Description	Detail Rev.	
6500 MXD 2200mm x 400mm Front		
Part Number Numéro Pièce	Rev.	3
6500MXK220405F	0	3

This drawing is confidential and must not be reproduced or used without the consent of EXM


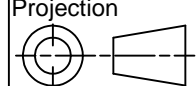
Ce dessin est confidentiel et ne doit pas être reproduit ou utilisé sans le consentement de EXM



Isometric View



No.	Revisions	Date	By/Par

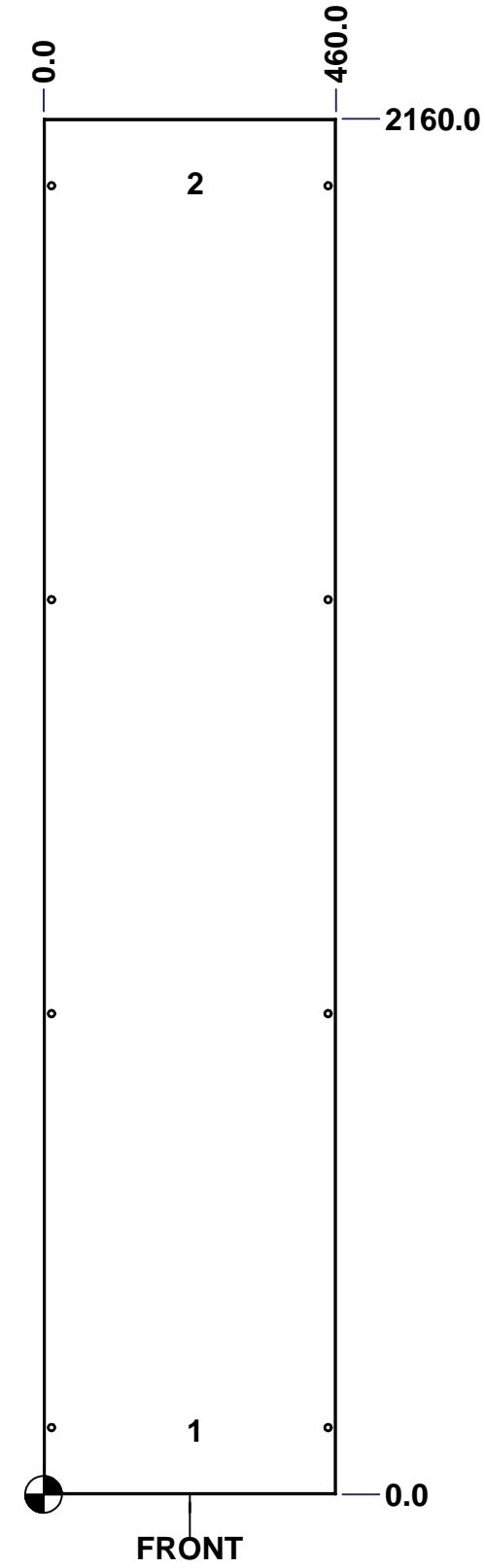
 Tél: (450) 979-4373 Fax: (450) 979-4626 www.exmweb.com		Flatness Aplatissement Max 3.0mm Projection 
Customer Client	Date	
Drawn By Dessiné Par	BoxCad: Annie	Date 08/08/2014
Material Matière	16 Ga H.R.P. & O. (1.4mm)	
Color Couleur	Light Grey RAL7035	Finish Fini
Description		Detail Rev.
6500 MXC 2200mm x 500mm Left		
Part Number Numéro Pièce	Rev.	
6500MXK220405L	0	1 / 3

SEE BILL OF MATERIAL ON LAST PAGE

This drawing is confidential and must not be reproduced or used without the consent of EXM

Ce dessin est confidentiel et ne doit pas être reproduit ou utilisé sans le consentement de EXM

STANDARD FEATURES ARE NOT LISTED IN THIS HOLE TABLE			
HOLE TABLE - FRONT VIEW (CUSTOM FEATURE ONLY)			
CUT-OUT	XDIM	YDIM	DESCRIPTION
1	230.0	100.0	GND STUD M6 x 16mm (Inside)
2	230.0	2060.0	GND STUD M6 x 16mm (Inside)

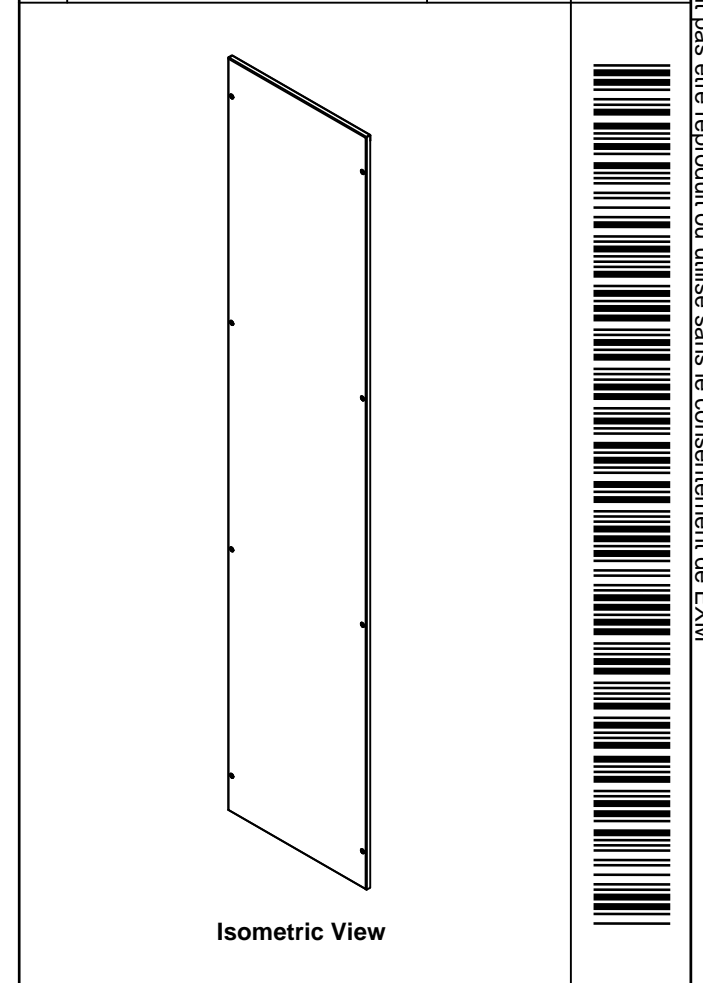


	Description	Status	
	6500 MXC 2200mm x 500mm Left	(NULL)	
	Part Number Numéro Pièce	Rev.	
	6500MXK220405L	0	2 3

This drawing is confidential and must not be reproduced or used without the consent of EXM

Ce dessin est confidentiel et ne doit pas être reproduit ou utilisé sans le consentement de EXM

No.	Revisions	Date	By/Par

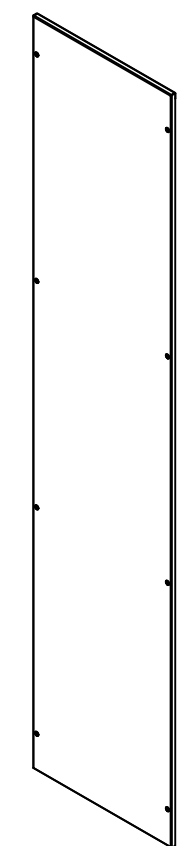
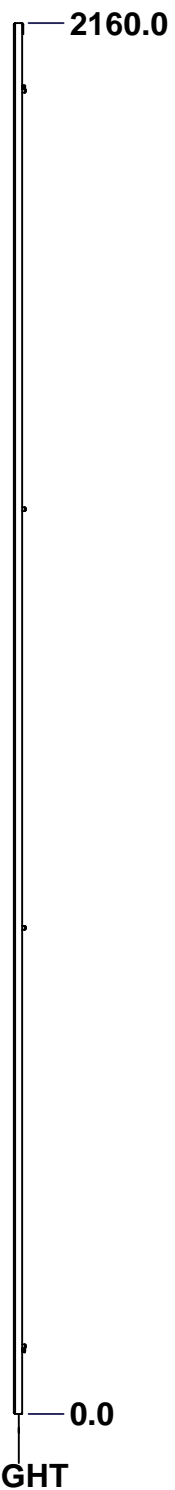
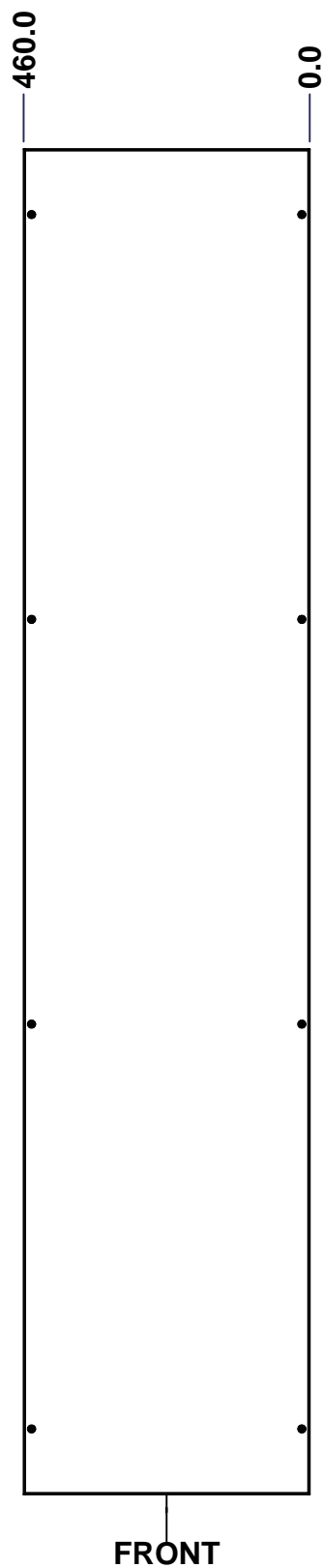
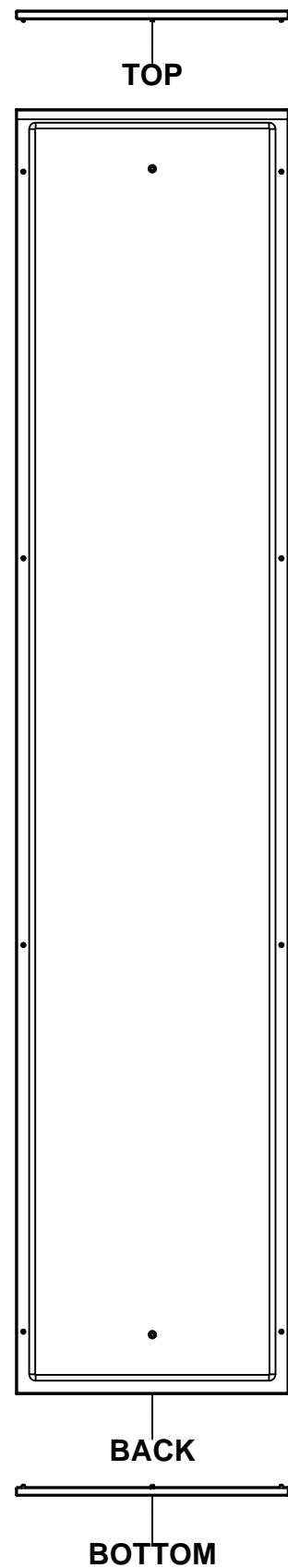


Tél: (450) 979-4373 Fax: (450) 979-4626 www.exmweb.com		Flatness Aplatissement	
		Max 3.0mm Projection	
Customer Client		Date	
Drawn By Dessiné Par BoxCad: Annie		Date 08/08/2014	
Material Matière 16 Ga H.R.P. & O. (1.4mm)			
Color Couleur Light Grey RAL7035		Finish Fini Rough Textured	
Description 6500 MXC 2200mm x 500mm Left			Detail Rev.
Part Number Numéro Pièce 6500MXK220405L			Rev. 3


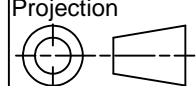
Qty	Part Number	Rev	Description
1	STK-P-03820R	0	Powder Paint (Light Grey / Rough Textured)
8	STK-Q-03072	2	M6 x 17mm Phillips Flat Head Screw
2	STK-Q-16080	0.1.1	M6 x 16mm Ground Stud
1	6500MXK220405LG	0	6500 MXC 2200mm x 500mm Left Gasket
1	6500MXK220405L-P	0	6500 MXC 2200mm x 500mm Left Part
Parts List			

This drawing is confidential and must not be reproduced or used without the consent of EXM

Ce dessin est confidentiel et ne doit pas être reproduit ou utilisé sans le consentement de EXM



No.	Revisions	Date	By/Par

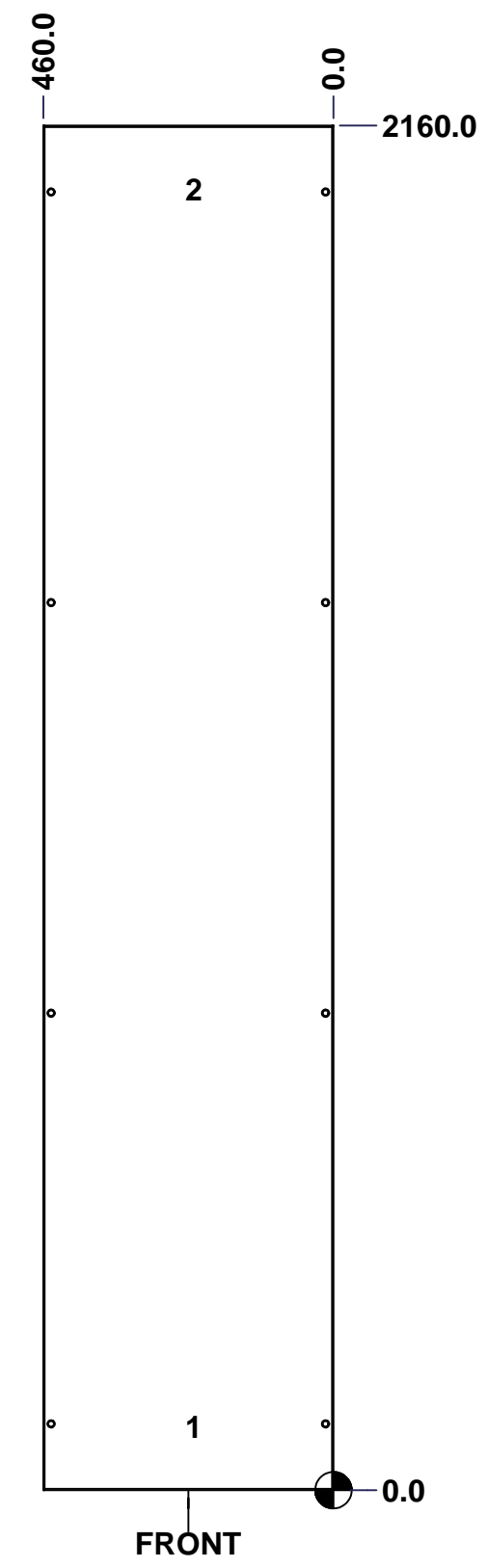
 Tél: (450) 979-4373 Fax: (450) 979-4626 www.exmweb.com		Flatness Aplatissement Max 3.0mm Projection 
Customer Client	Date	
Drawn By Dessiné Par	BoxCad: Annie	Date 08/08/2014
Material Matière	16 Ga H.R.P. & O. (1.4mm)	
Color Couleur	Light Grey RAL7035	Finish Fini Rough Textured
Description 6500 MXC 2200mm x 500mm Right		Detail Rev.
Part Number Numéro Pièce	6500MXK220405R	Rev. 1 0 3

SEE BILL OF MATERIAL ON LAST PAGE

This drawing is confidential and must not be reproduced or used without the consent of EXM

Ce dessin est confidentiel et ne doit pas être reproduit ou utilisé sans le consentement de EXM

STANDARD FEATURES ARE NOT LISTED IN THIS HOLE TABLE			
HOLE TABLE - FRONT VIEW (CUSTOM FEATURE ONLY)			
CUT-OUT	XDIM	YDIM	DESCRIPTION
1	230.0	100.0	GND STUD M6 x 16mm (Inside)
2	230.0	2060.0	GND STUD M6 x 16mm (Inside)

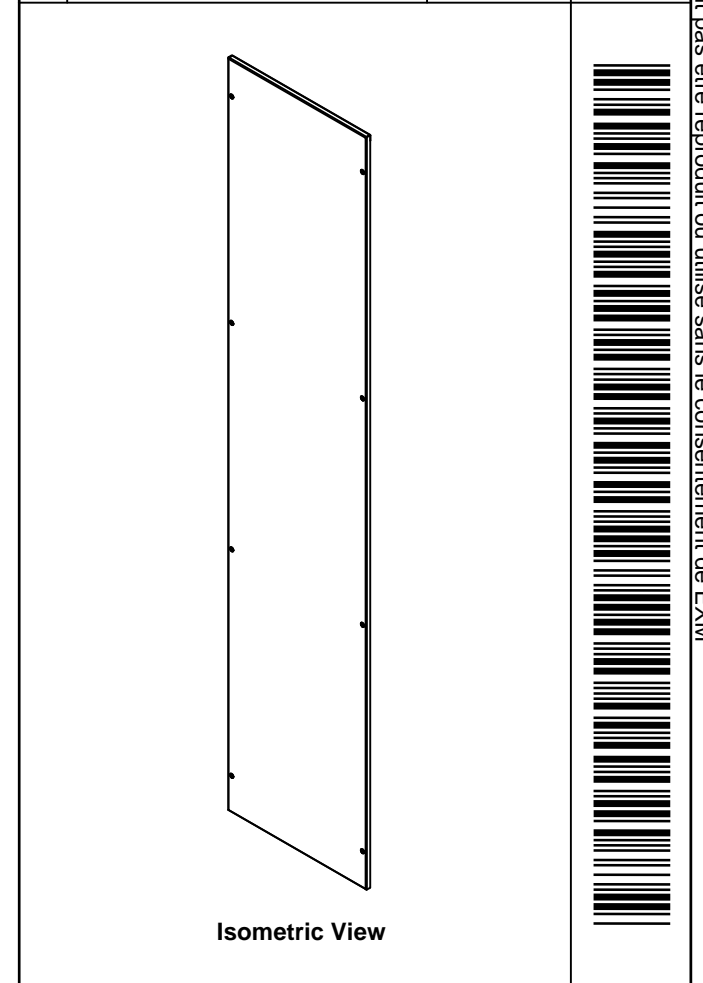


	Description	Status	
	6500 MXC 2200mm x 500mm Right	(NULL)	
	Part Number Numéro Pièce	Rev.	
	6500MXK220405R	0	2 3

This drawing is confidential and must not be reproduced or used without the consent of EXM

Ce dessin est confidentiel et ne doit pas être reproduit ou utilisé sans le consentement de EXM

No.	Revisions	Date	By/Par



Tél: (450) 979-4373 Fax: (450) 979-4626 www.exmweb.com		Flatness Aplatissement	
		Max 3.0mm Projection	
Customer Client		Date	
Drawn By Dessiné Par BoxCad: Annie		Date 08/08/2014	
Material Matière 16 Ga H.R.P. & O. (1.4mm)			
Color Couleur Light Grey RAL7035		Finish Fini Rough Textured	
Description 6500 MXC 2200mm x 500mm Right			Detail Rev.
Part Number Numéro Pièce 6500MXK220405R		Rev. 0	3 3

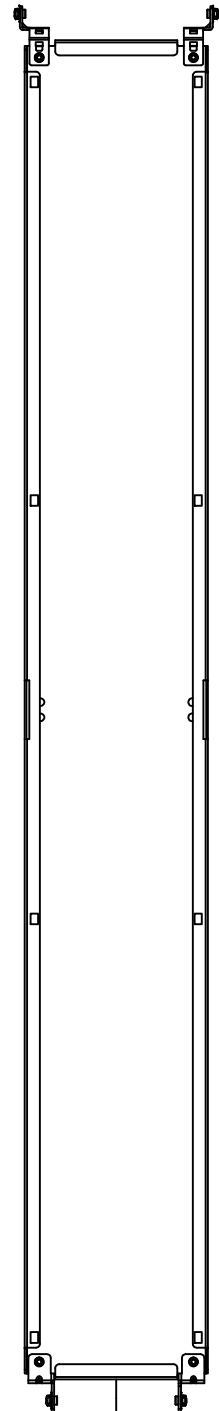
Qty	Part Number	Rev	Description
1	STK-P-03820R	0	Powder Paint (Light Grey / Rough Textured)
8	STK-Q-03072	2	M6 x 17mm Phillips Flat Head Screw
2	STK-Q-16080	0.1.1	M6 x 16mm Ground Stud
1	6500MXK220405RG	0	6500 MXC 2200mm x 500mm Right Gasket
1	6500MXK220405R-P	0	6500 MXC 2200mm x 500mm Right Part
Parts List			

This drawing is confidential and must not be reproduced or used without the consent of EXM

Ce dessin est confidentiel et ne doit pas être reproduit ou utilisé sans le consentement de EXM



TOP

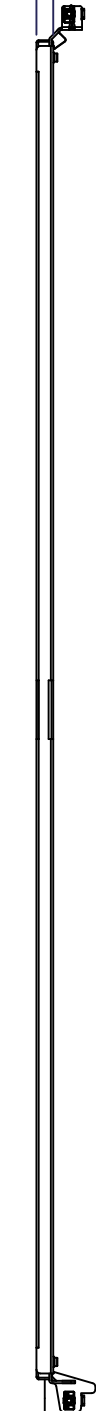


BACK



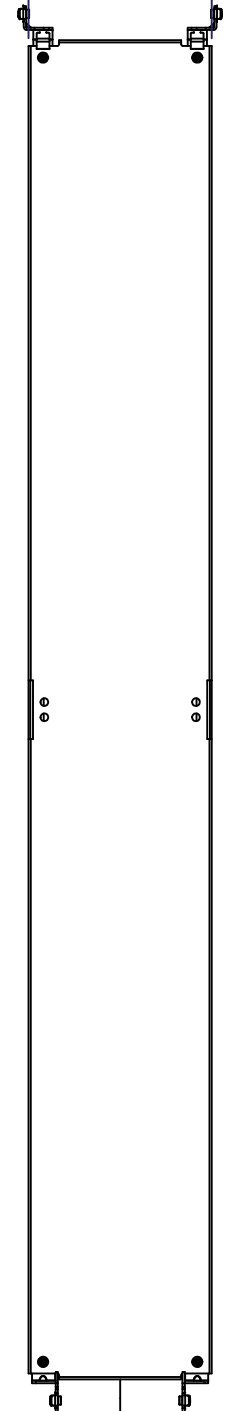
BOTTOM

0.0
26.0



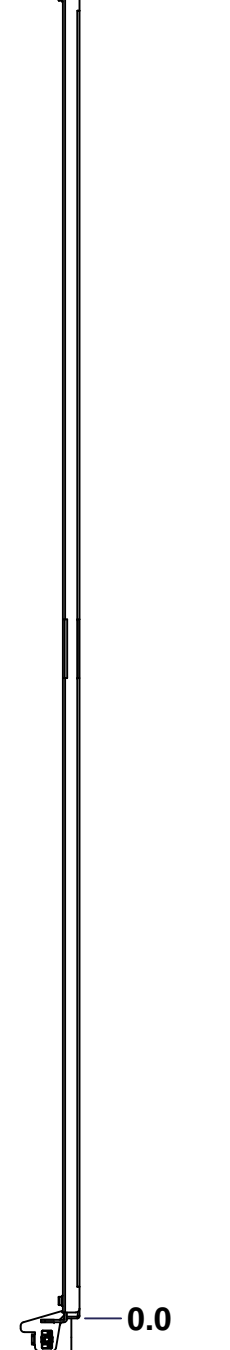
LEFT

0.0
285.0



FRONT

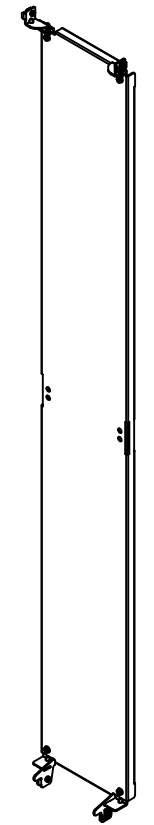
2080.0



RIGHT

0.0

No.	Revisions	Date	By/Par



Isometric View

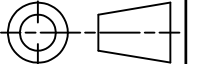


Tél: (450) 979-4373
Fax: (450) 979-4626
www.exmweb.com

Flatness
Aplatissement

Max 3.0mm

Projection



Customer Client	Date
Drawn By Dessiné Par	Date

BoxCad: Annie

08/08/2014

Material
Matière

12 Ga Galvanized (2.5mm)

Color Couleur	Unpainted	Finish Fin	Unpainted
------------------	-----------	---------------	-----------

Description	Detail Rev.
6500 MXM 2200mm x 400mm Back Inner Panel	

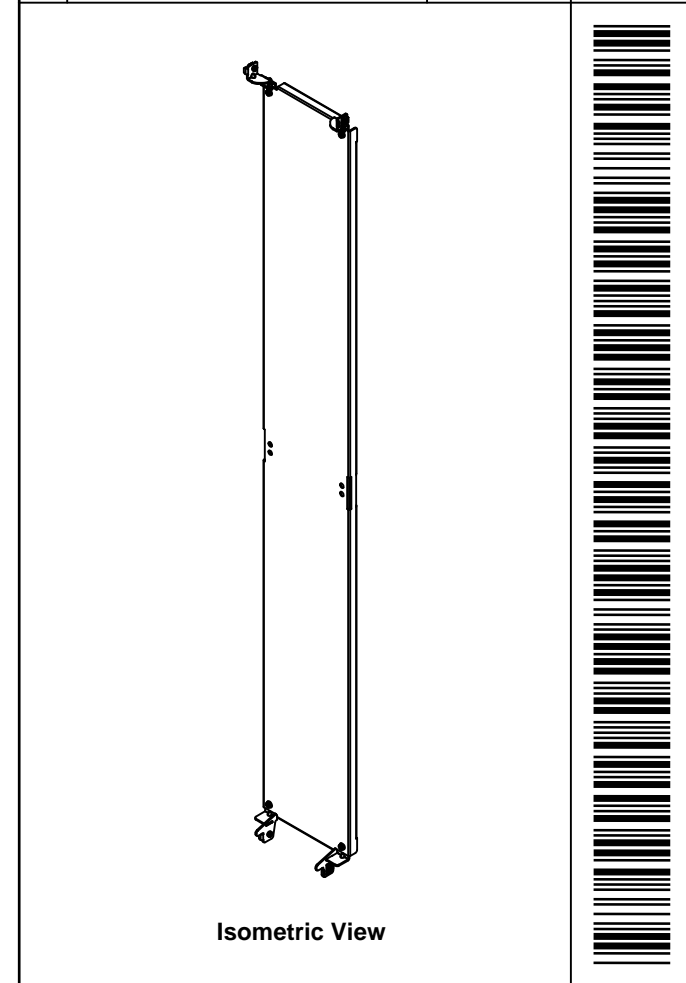
Part Number Numéro Pièce	Rev.	1
6500MXK220405BIP	0	3


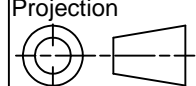
SEE BILL OF MATERIAL ON LAST PAGE

This drawing is confidential and must not be reproduced or used without the consent of EXM

Ce dessin est confidentiel et ne doit pas être reproduit ou utilisé sans le consentement de EXM

No.	Revisions	Date	By/Par



 Tél: (450) 979-4373 Fax: (450) 979-4626 www.exmweb.com		Flatness Aplatissement Max 3.0mm Projection 
Customer Client	Date	
Drawn By Dessiné Par	BoxCad: Annie	Date 08/08/2014
Material Matière	12 Ga Galvanized (2.5mm)	
Color Couleur	Unpainted	Finish Fini Unpainted
Description 6500 MXM 2200mm x 400mm Back Inner Panel		Detail Rev.
Part Number Numéro Pièce	6500MXK220405BIP	Rev. 3
Qty Part Number Rev Description Parts List		Rev. 0 3

1	STK-A-49005	0	6500MXM - Bottom Inner Panel Support Kit (Right)
1	STK-A-49000	0	6500MXM - Bottom Inner Panel Support Kit (Left)
1	STK-A-49015	0	6500MXM - Top Inner Panel Support Kit (Right)
1	STK-A-49010	0	6500MXM - Top Inner Panel Support Kit (Left)
1	6500MXK220405BIP-P	0	6500 MXM 2200mm x 400mm Back Inner Panel Part
Qty	Part Number	Rev	Description
Parts List			