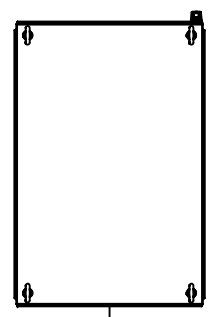
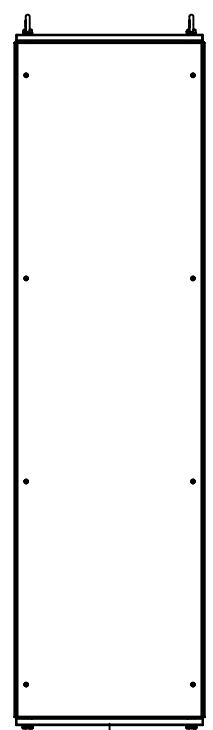


This drawing is confidential and must not be reproduced or used without the consent of EXM

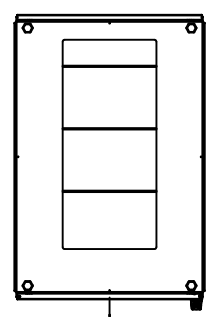
Ce dessin est confidentiel et ne doit pas être reproduit ou utilisé sans le consentement de EXM



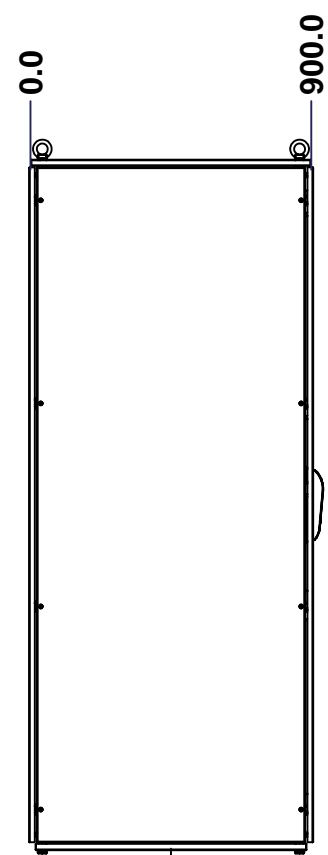
TOP



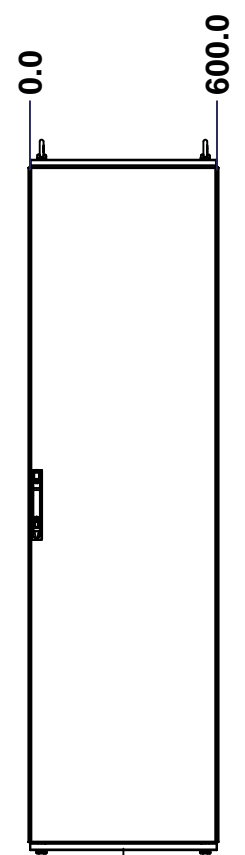
BACK



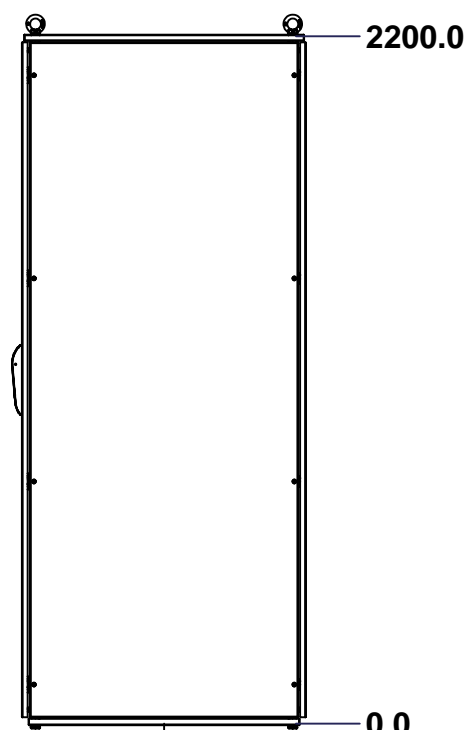
BOTTOM



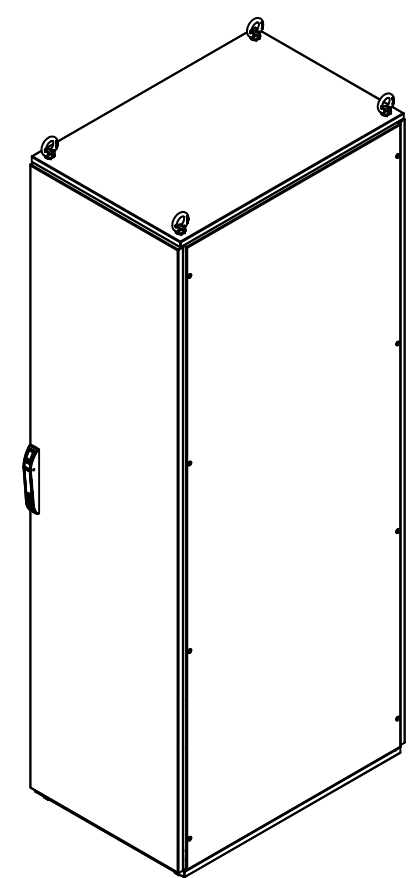
LEFT



FRONT



RIGHT



Isometric View



No.	Revisions	Date	By/Par

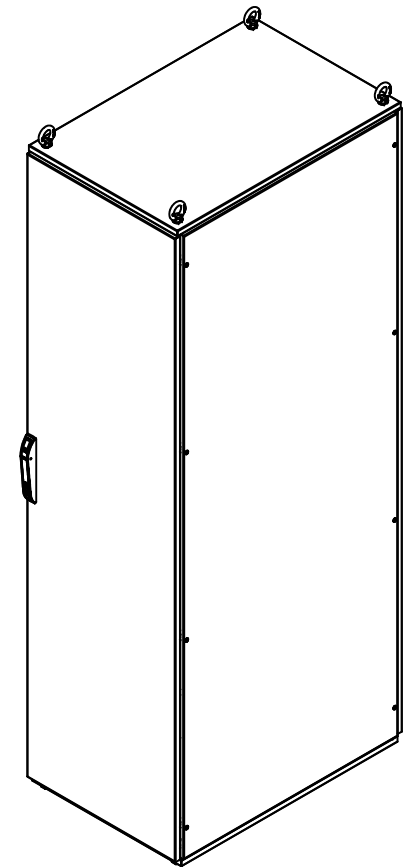
		Tél: (450) 979-4373 Fax: (450) 979-4626 www.exmweb.com		Flatness Aplatissement Max 3.0mm	
Customer Client		Date		Projection 	
Drawn By Dessiné Par		BoxCad: Annie		Date 08/08/2014	
Material Matière		See Part List			
Color Couleur		See Part List		Finish Fini See Part List	
Description 6500MX 2200mm x 600mm x 900mm Assembly				Detail Rev.	
Part Number Numéro Pièce				Rev.	
6500MXK220609				1 0 2	

SEE BILL OF MATERIAL ON LAST PAGE

This drawing is confidential and must not be reproduced or used without the consent of EXM

Ce dessin est confidentiel et ne doit pas être reproduit ou utilisé sans le consentement de EXM

No.	Revisions	Date	By/Par



Isometric View



Tél: (450) 979-4373
 Fax: (450) 979-4626
www.exmweb.com

Flatness
Aplatissement
Max 3.0mm
Projection

Customer Client
 Drawn By Dessiné Par BoxCad: Annie
 Date 08/08/2014

Material Matière See Part List

Color Couleur See Part List
 Finish Fini See Part List

Description 6500MX 2200mm x 600mm x 900mm Assembly
 Detail Rev.

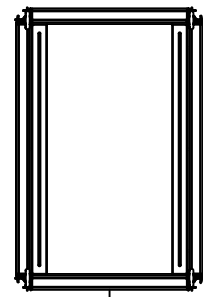
Part Number Numéro Pièce **6500MXK220609**
 Rev. 0

Qty	Part Number	Rev	Description
1	6500MXK220609BIP	0	6500 MXM 2200mm x 600mm Back Inner Panel
1	6500MXK220609R	0	6500 MXC 2200mm x 900mm Right
1	6500MXK220609L	0	6500 MXC 2200mm x 900mm Left
1	6500MXK220609F	0	6500 MXD 2200mm x 600mm Front
1	6500MXK220609B	0	6500 MXR 2200mm x 600mm Back
1	6500MXK220609BT	0	6500 MXB 600mm x 900mm Bottom
1	6500MXK220609T	0	6500 MXT 600mm x 900mm Top
1	6500MXK220609FR	0	6500 MX 2200mm x 600mm x 900mm Frame
Parts List			

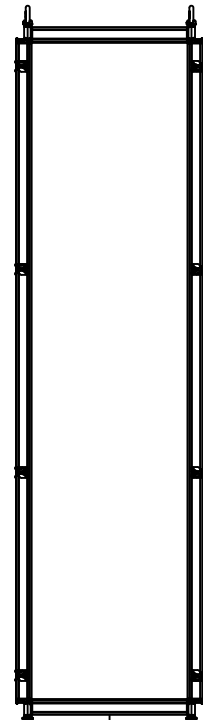
Rev.	2
0	2

This drawing is confidential and must not be reproduced or used without the consent of EXM

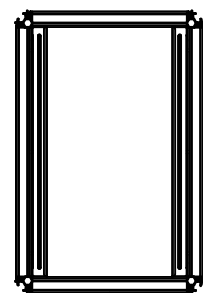
Ce dessin est confidentiel et ne doit pas être reproduit ou utilisé sans le consentement de EXM



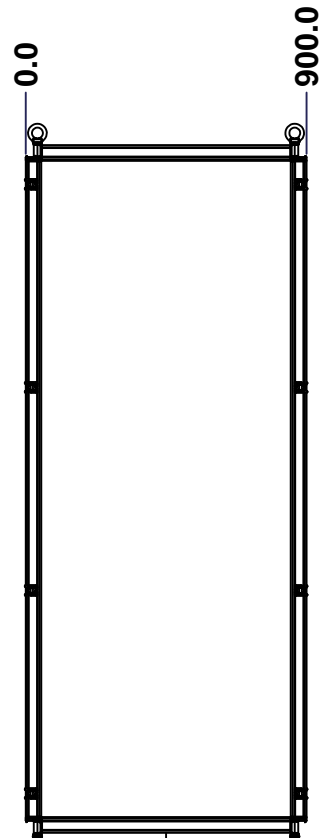
TOP



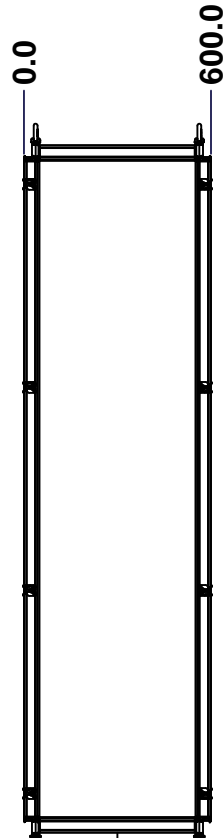
BACK



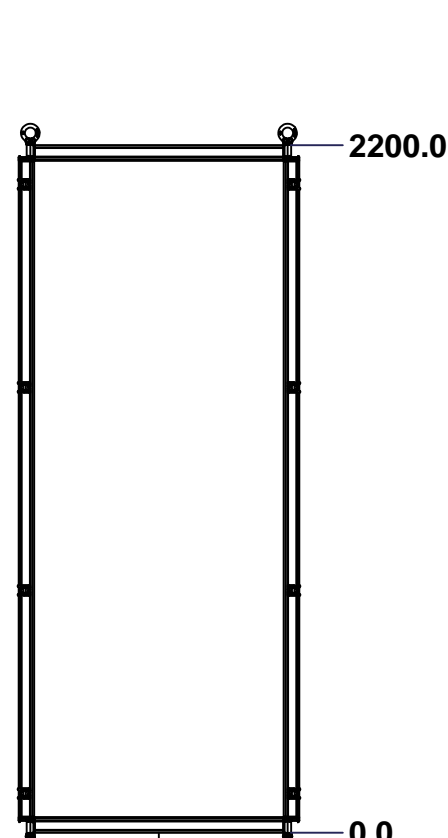
BOTTOM



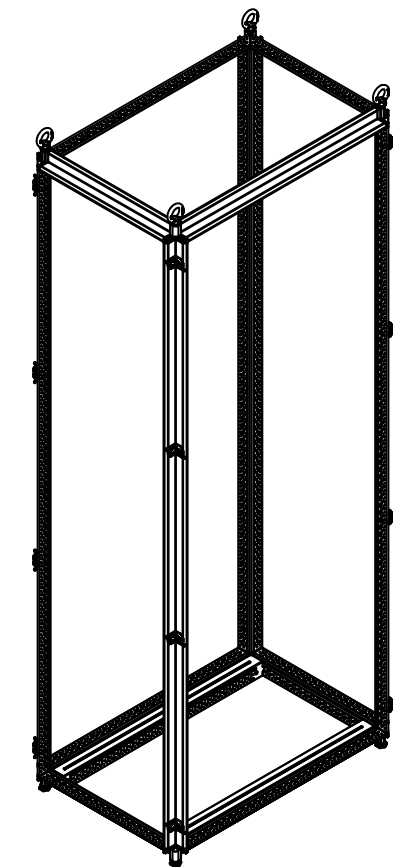
LEFT



FRONT




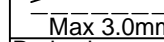
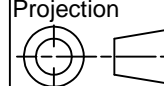
RIGHT



Isometric View



No.	Revisions	Date	By/Par

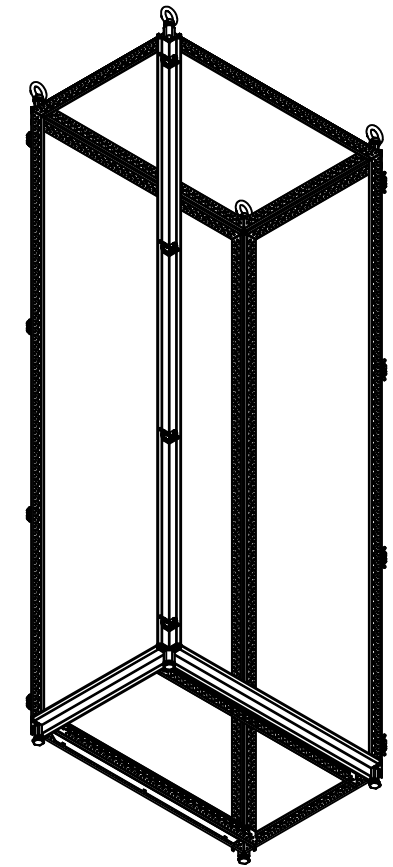
 Tél: (450) 979-4373 Fax: (450) 979-4626 www.exmweb.com		Flatness Aplatissement  Max 3.0mm Projection 
Customer Client	Date	
Drawn By / Dessiné Par: BoxCad: Annie	Date: 08/08/2014	
Material / Matière: 16 Ga Electro-Galvanized (1.4mm)		
Color / Couleur: Iron Grey RAL7011	Finish / Fini: Rough / Textured	
Description: 6500 MX 2200mm x 600mm x 900mm Frame	Detail Rev.	
Part Number / Numéro Pièce: 6500MXK220609FR	Rev. 0	1 / 2

SEE BILL OF MATERIAL ON LAST PAGE

This drawing is confidential and must not be reproduced or used without the consent of EXM

Ce dessin est confidentiel et ne doit pas être reproduit ou utilisé sans le consentement de EXM


No.	Revisions	Date	By/Par



Isometric View



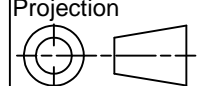
Qty	Part Number	Rev	Description
1	STK-P-03810R	0	Powder Paint (Iron Grey / Rough Textured)
1	STK-Q-49070	3	6500 MXM Inner Panel Slider 900mm
1	STK-Q-49070-L	3	6500 MXM Inner Panel Slider 900mm
4	STK-Q-49500	3	M12 Eye Bolt (0.34T)
4	STK-Q-61110	0	M12 Feet Leveler
8	STK-Q-00610	1	M18 x 30.5mm Bolt - Cover
4	STK-Q-47251-22	3	6500 MX 2200mm Vertical Frame Post Part
4	STK-Q-47250-06	3	6500 MX 600mm Horizontal Frame Post Part
4	STK-Q-47250-09	3	6500 MX 900mm Horizontal Frame Post Part
8	STK-Q-49445	2	6500 MX - Frame Corner Bracket Casting
16	STK-K-11001	2	3 Way Fixed Bracket Kit



Tél: (450) 979-4373
Fax: (450) 979-4626
www.exmweb.com

Flatness
Aplatissement
Max 3.0mm

Projection



Customer Client		Date
Drawn By / Dessiné Par: BoxCad: Annie		Date: 08/08/2014
Material / Matière: 16 Ga Electro-Galvanized (1.4mm)		
Color / Couleur: Iron Grey RAL7011	Finish / Fini: Rough Textured	
Description: 6500 MX 2200mm x 600mm x 900mm Frame		Detail Rev.
Part Number / Numéro Pièce: 6500MXK220609FR		Rev. 0

Parts List

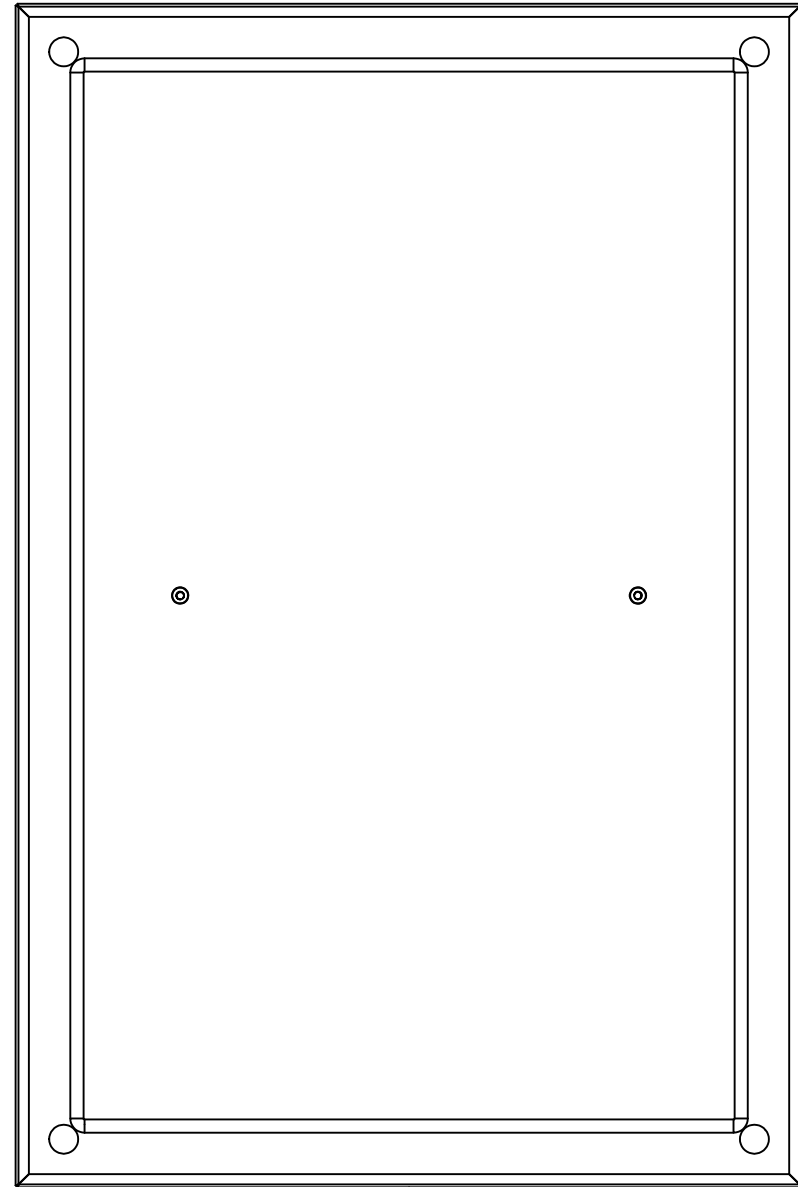
2 / 2

This drawing is confidential and must not be reproduced or used without the consent of EXM

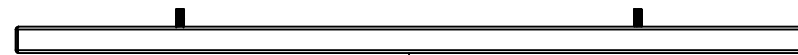
Ce dessin est confidentiel et ne doit pas être reproduit ou utilisé sans le consentement de EXM



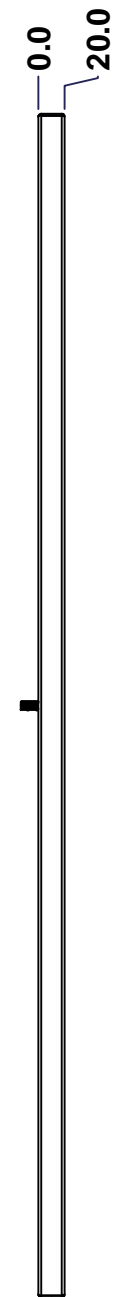
TOP



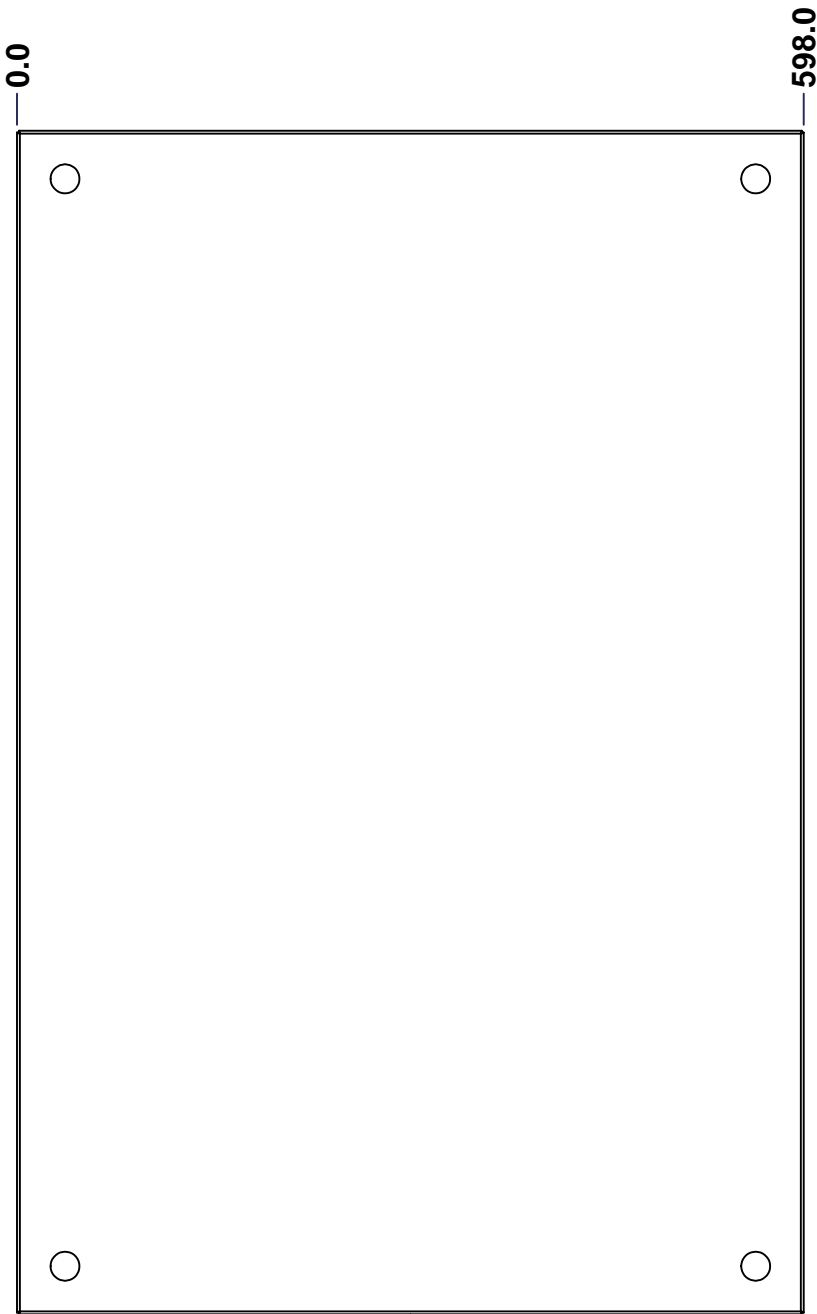
BACK



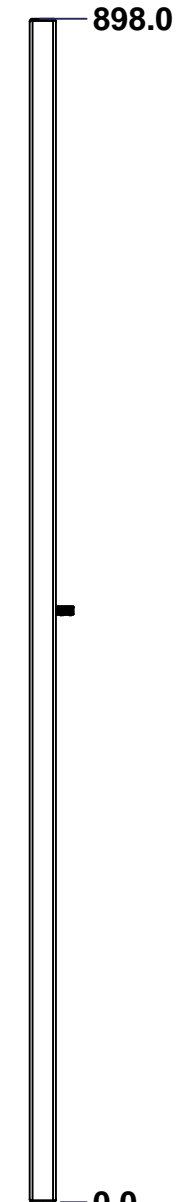
BOTTOM



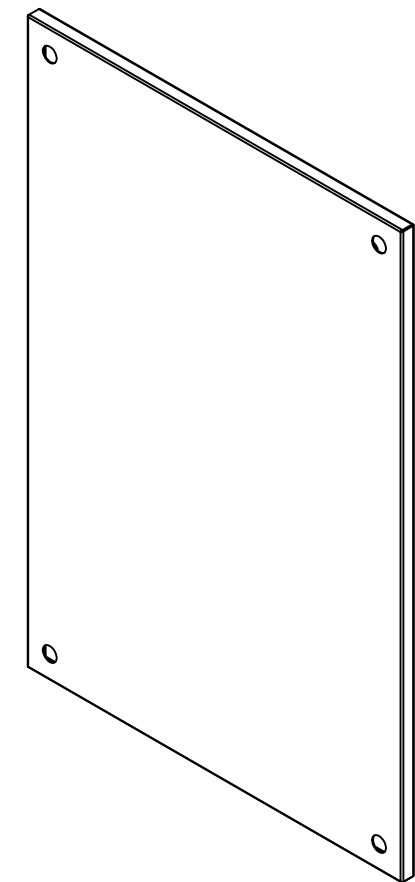
LEFT



FRONT




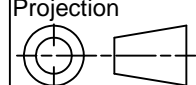
RIGHT



Isometric View



No.	Revisions	Date	By/Par

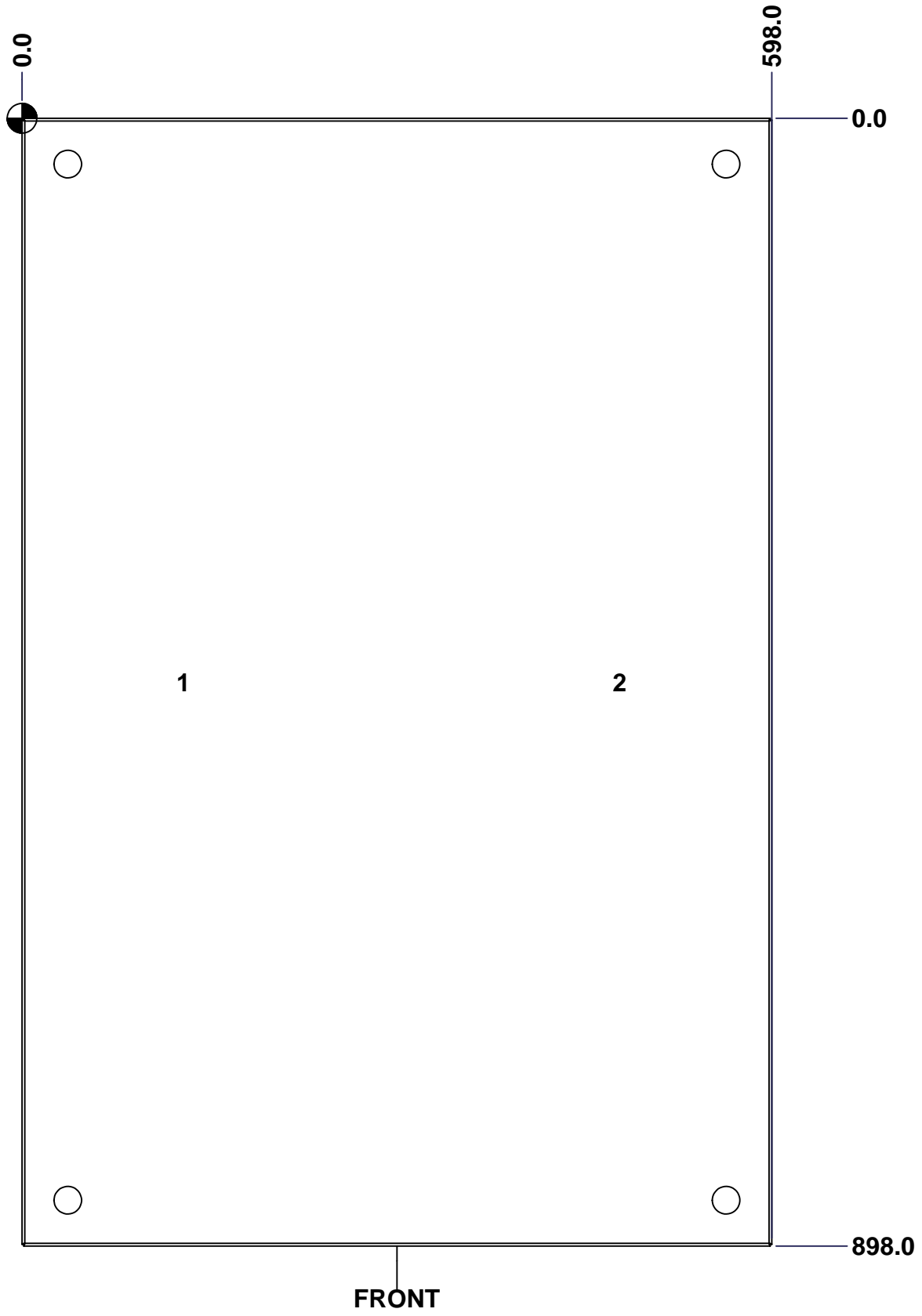
 Tél: (450) 979-4373 Fax: (450) 979-4626 www.exmweb.com		Flatness Aplatissement Max 3.0mm Projection 
Customer Client	Date	Date
Drawn By Dessiné Par	BoxCad: Annie	08/08/2014
Material Matière	16 Ga H.R.P. & O. (1.4mm)	
Color Couleur	Iron Grey RAL7011	Finish Fini
Description		Detail Rev.
6500 MXT 600mm x 900mm Top		
Part Number Numéro Pièce	Rev.	
6500MXK220609T	0	1 3

SEE BILL OF MATERIAL ON LAST PAGE

This drawing is confidential and must not be reproduced or used without the consent of EXM

Ce dessin est confidentiel et ne doit pas être reproduit ou utilisé sans le consentement de EXM

STANDARD FEATURES ARE NOT LISTED IN THIS HOLE TABLE			
HOLE TABLE - FRONT VIEW (CUSTOM FEATURE ONLY)			
CUT-OUT	XDIM	YDIM	DESCRIPTION
1	125.0	449.0	GND STUD M6 x 16mm (Inside)
2	473.0	449.0	GND STUD M6 x 16mm (Inside)

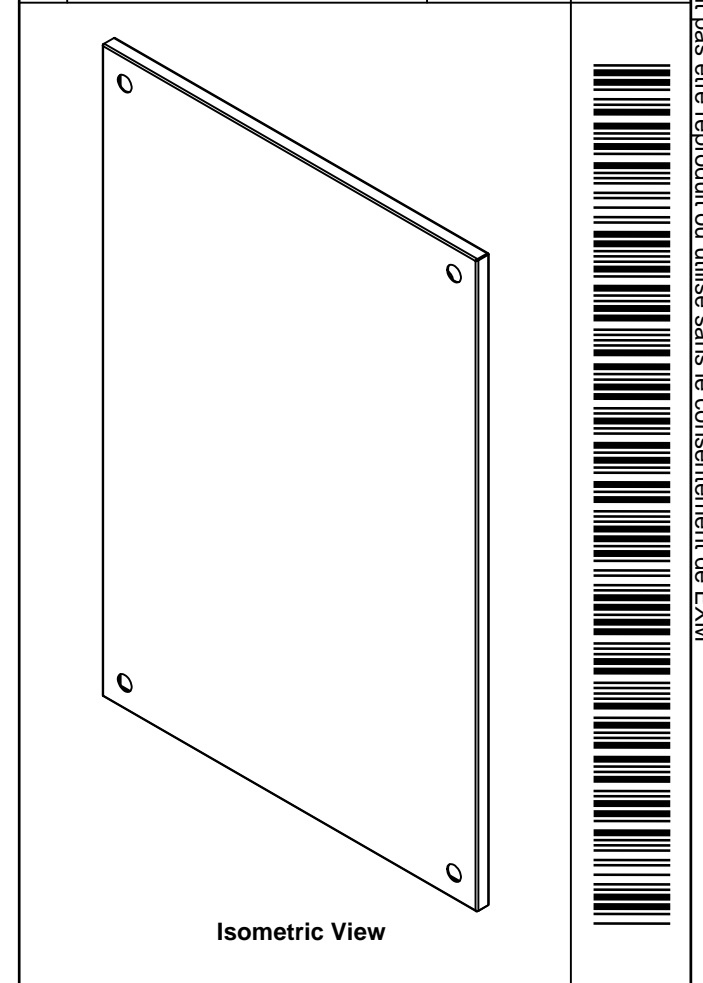


	Description	Status
	6500 MXT 600mm x 900mm Top	(NULL)
	Part Number Numéro Pièce	Rev.
	6500MXK220609T	0
		2
		3

This drawing is confidential and must not be reproduced or used without the consent of EXM

Ce dessin est confidentiel et ne doit pas être reproduit ou utilisé sans le consentement de EXM

No.	Revisions	Date	By/Par

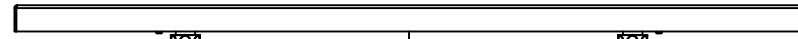


Tél: (450) 979-4373 Fax: (450) 979-4626 www.exmweb.com		Flatness Aplatissement	
		Max 3.0mm Projection	
Customer Client		Date	
Drawn By Dessiné Par BoxCad: Annie		Date 08/08/2014	
Material Matière 16 Ga H.R.P. & O. (1.4mm)			
Color Couleur Iron Grey RAL7011		Finish Fini Rough Textured	
Description 6500 MXT 600mm x 900mm Top			Detail Rev.
Part Number Numéro Pièce 6500MXK220609T			Rev. 3

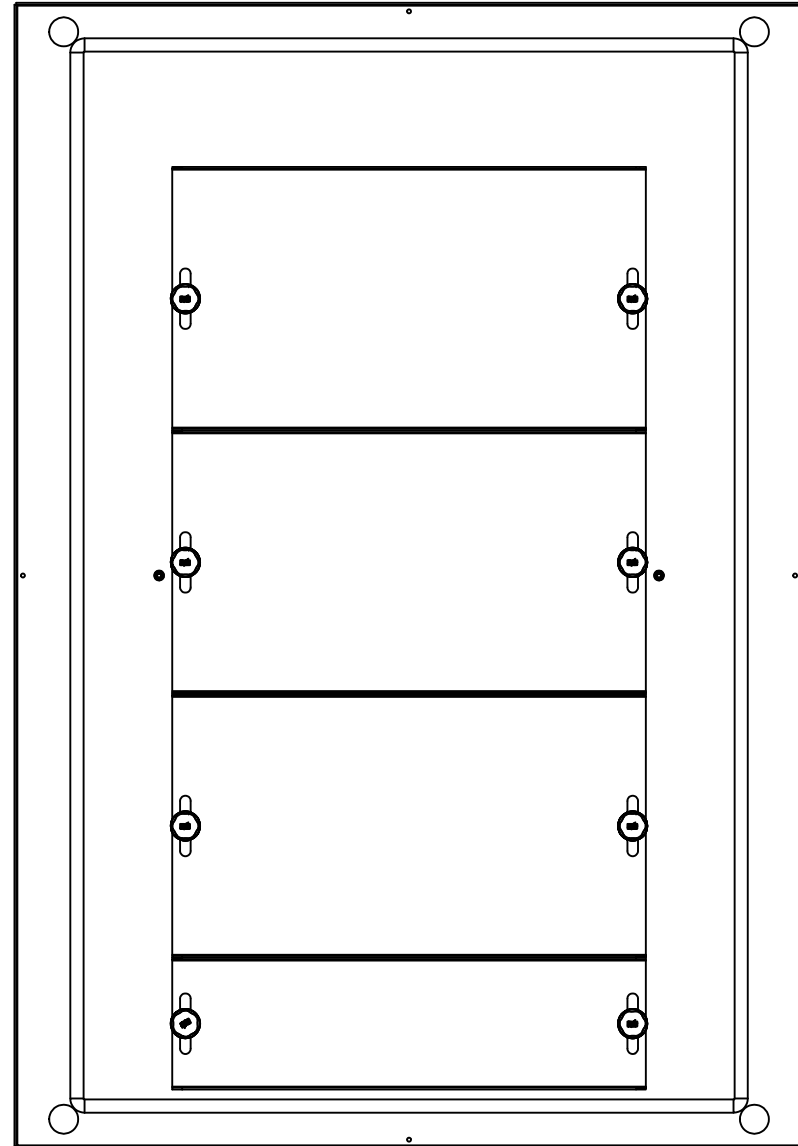
Qty	Part Number	Rev	Description
1	STK-P-03810R	0	Powder Paint (Iron Grey / Rough Textured)
2	STK-Q-16080	0.1.1	M6 x 16mm Ground Stud
1	6500MXK220609TG	0	6500 MXT 600mm x 900mm Top Gasket
1	6500MXK220609T-P	0	6500 MXT 600mm x 900mm Top Part
Parts List			

This drawing is confidential and must not be reproduced or used without the consent of EXM

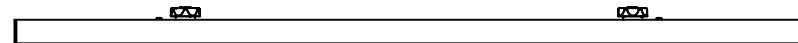
Ce dessin est confidentiel et ne doit pas être reproduit ou utilisé sans le consentement de EXM



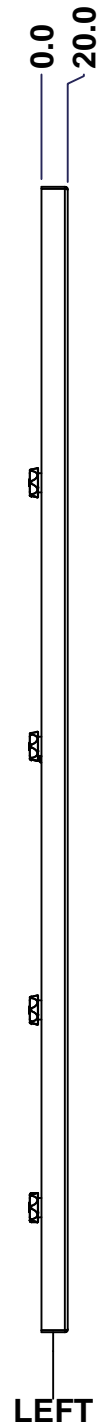
TOP



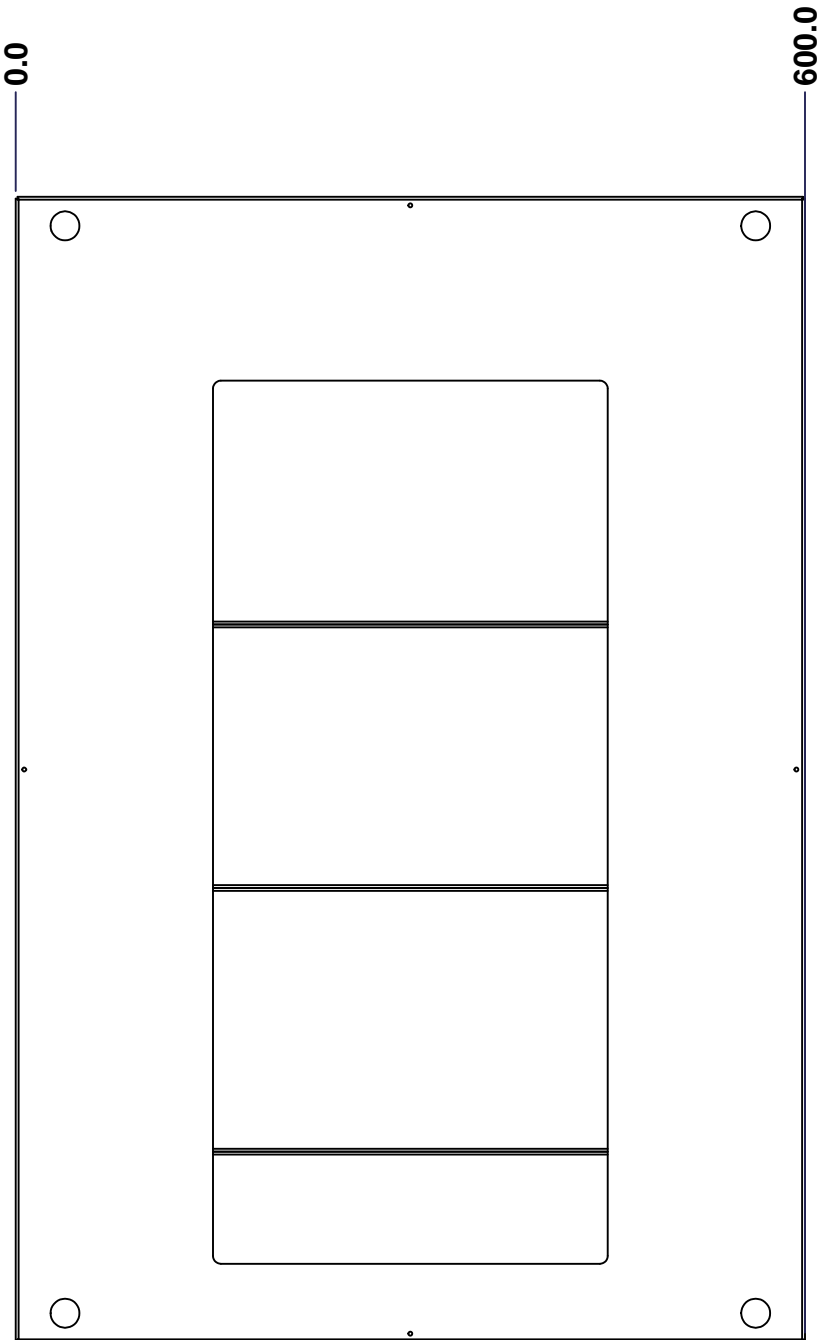
BACK



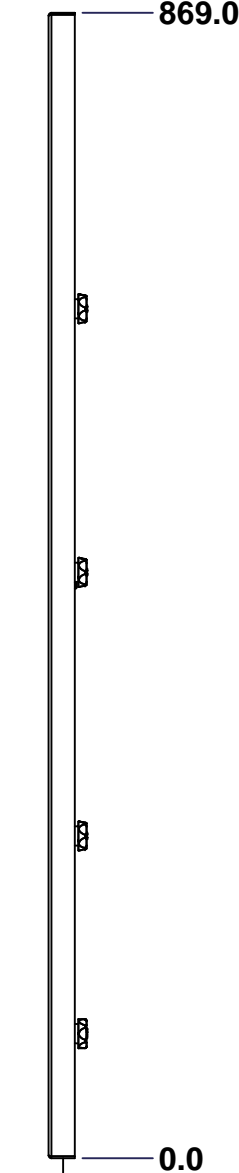
BOTTOM



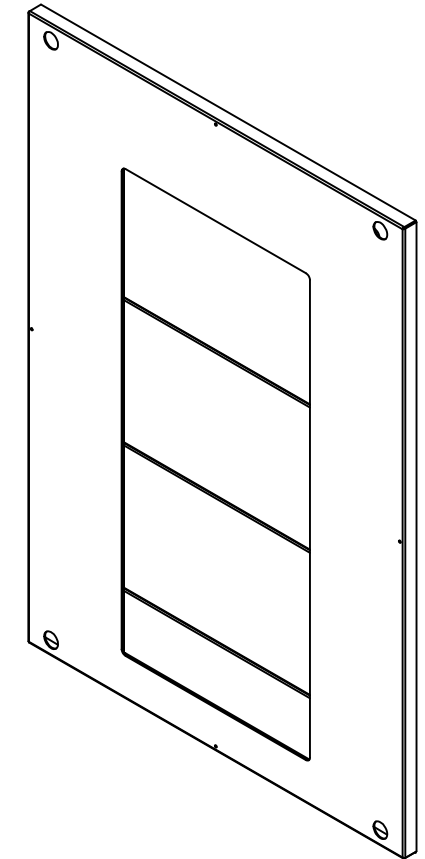
LEFT



FRONT




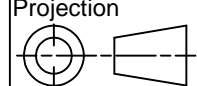
RIGHT



Isometric View



No.	Revisions	Date	By/Par

 Tél: (450) 979-4373 Fax: (450) 979-4626 www.exmweb.com		Flatness Aplatissement Max 3.0mm Projection 
Customer Client	Date	
Drawn By Dessiné Par	BoxCad: Annie	Date 08/08/2014
Material Matière	16 Ga H.R.P. & O. (1.4mm)	
Color Couleur	Iron Grey RAL7011	Finish Fini
Description		Detail Rev.
6500 MXB 600mm x 900mm Bottom		
Part Number Numéro Pièce	Rev.	
6500MXK220609BT	0	1 3

SEE BILL OF MATERIAL ON LAST PAGE

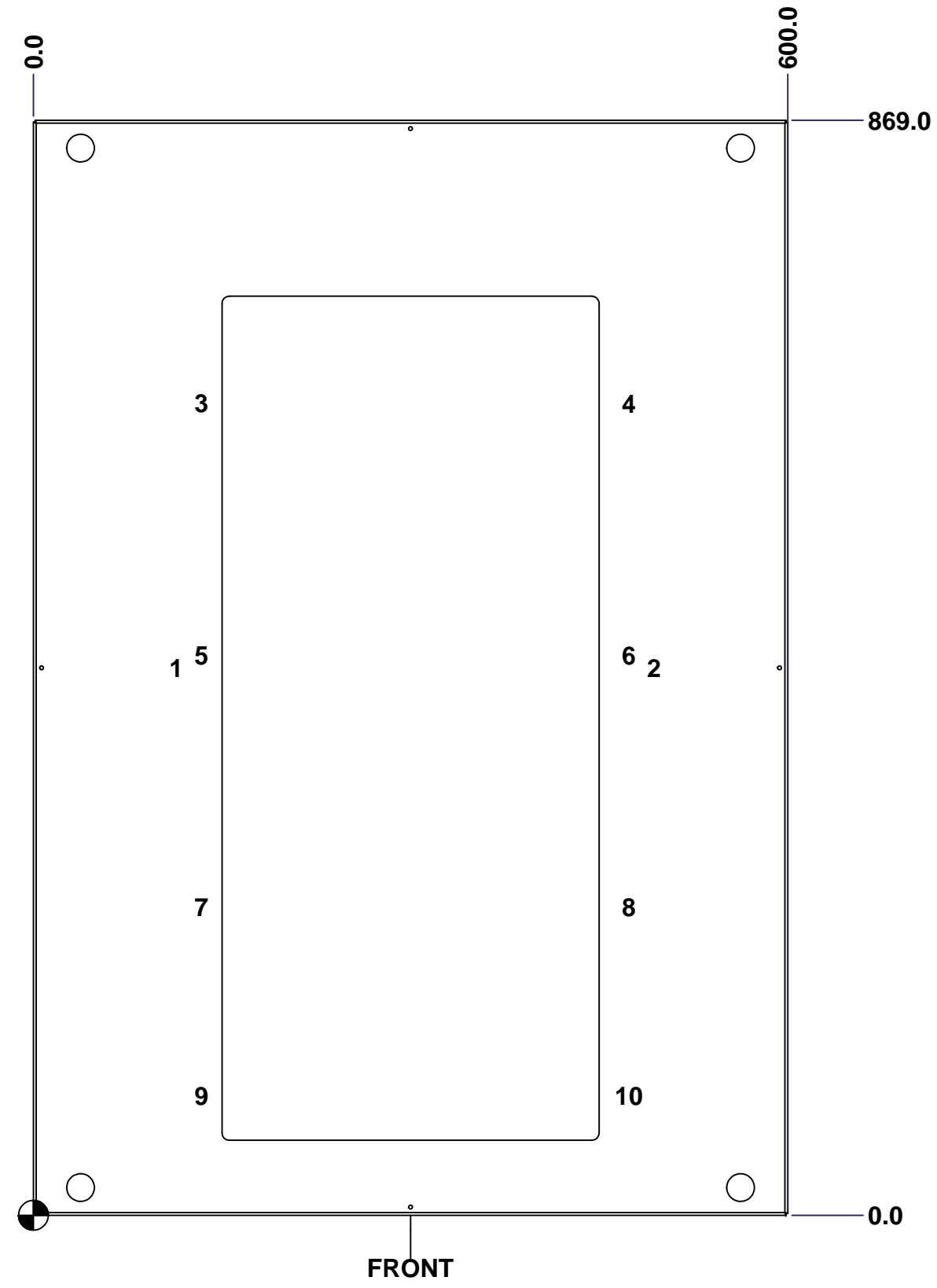
This drawing is confidential and must not be reproduced or used without the consent of EXM

Ce dessin est confidentiel et ne doit pas être reproduit ou utilisé sans le consentement de EXM

STANDARD FEATURES ARE NOT LISTED IN THIS HOLE TABLE

HOLE TABLE - FRONT VIEW (CUSTOM FEATURE ONLY)

CUT-OUT	XDIM	YDIM	DESCRIPTION
1	110.0	434.5	GND STUD M6 x 16mm (Inside)
2	490.0	434.5	GND STUD M6 x 16mm (Inside)
3	130.0	644.5	GP STUD M6 x 10mm (Inside)
4	470.0	644.5	GP STUD M6 x 10mm (Inside)
5	130.0	444.5	GP STUD M6 x 10mm (Inside)
6	470.0	444.5	GP STUD M6 x 10mm (Inside)
7	130.0	244.5	GP STUD M6 x 10mm (Inside)
8	470.0	244.5	GP STUD M6 x 10mm (Inside)
9	130.0	94.5	GP STUD M6 x 10mm (Inside)
10	470.0	94.5	GP STUD M6 x 10mm (Inside)

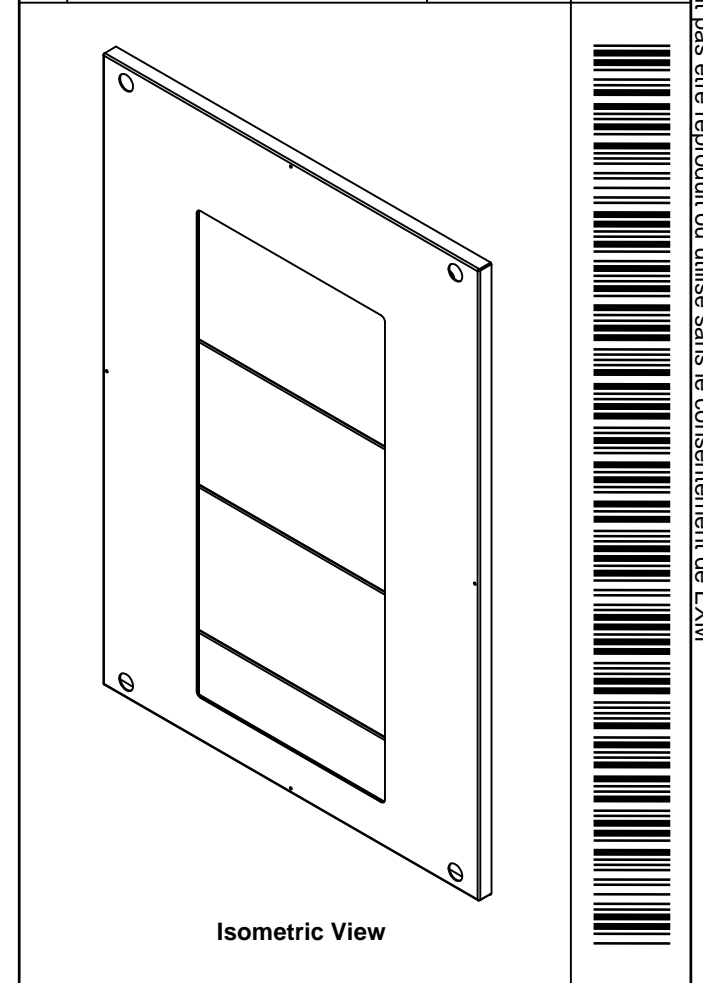


	Description	Status
	6500 MXB 600mm x 900mm Bottom	(NULL)
	Part Number Numéro Pièce	Rev.
	6500MXK220609BT	0
		2
		3

This drawing is confidential and must not be reproduced or used without the consent of EXM

Ce dessin est confidentiel et ne doit pas être reproduit ou utilisé sans le consentement de EXM

No.	Revisions	Date	By/Par

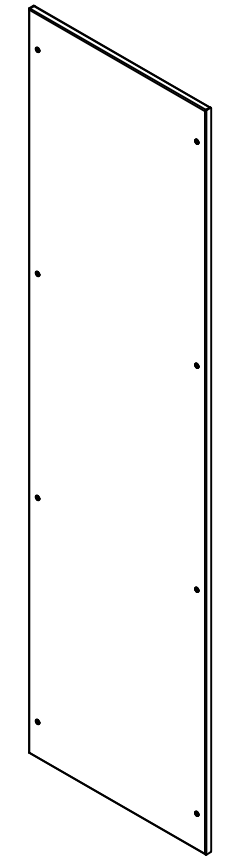
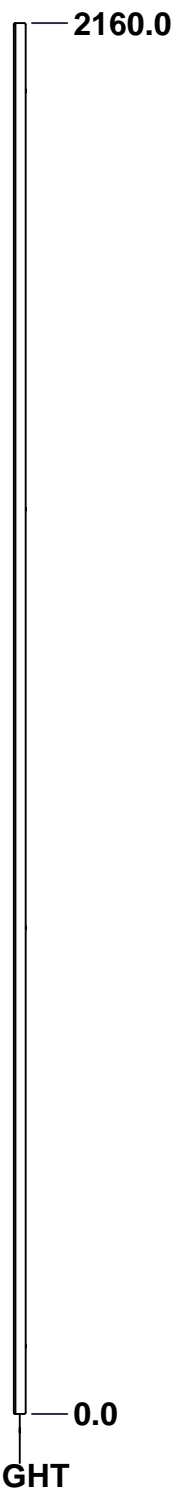
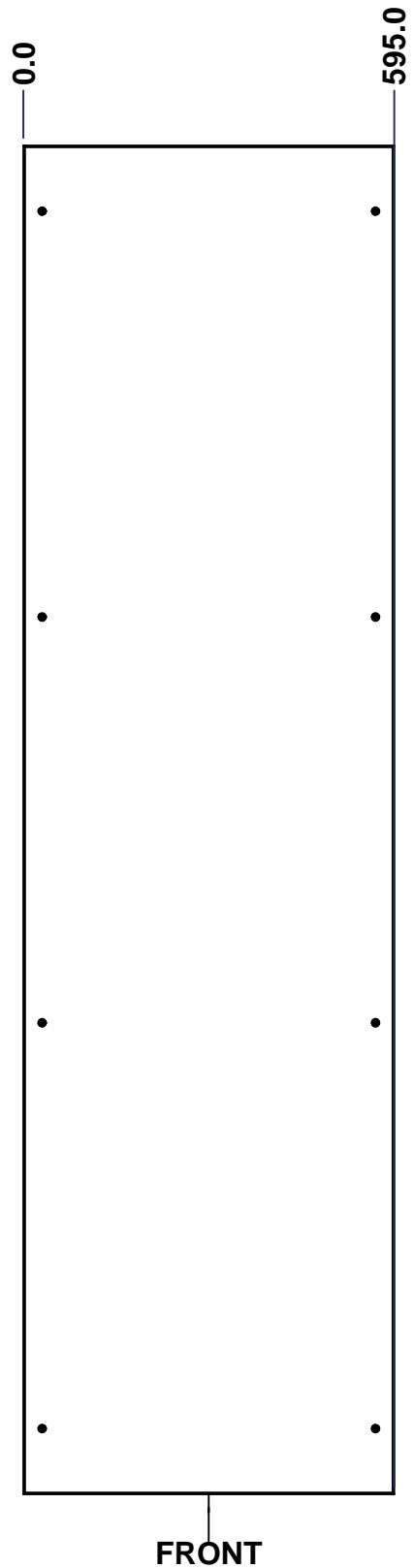
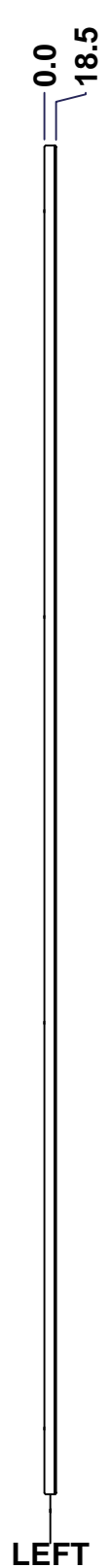
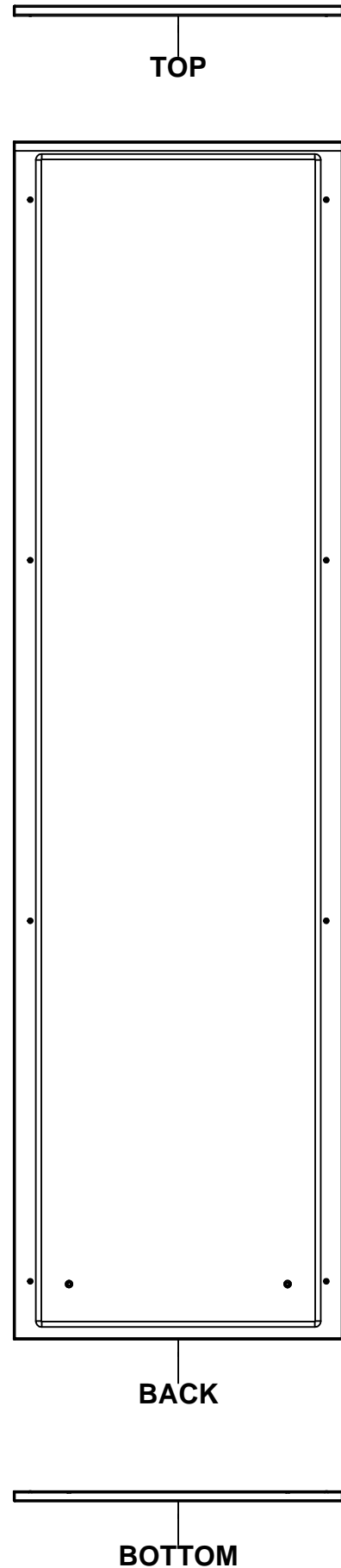


Tél: (450) 979-4373 Fax: (450) 979-4626 www.exmweb.com		Flatness Aplatissement	
		Max 3.0mm Projection	
Customer Client		Date	
Drawn By Dessiné Par		Date 08/08/2014	
Material Matière		16 Ga H.R.P. & O. (1.4mm)	
Color Couleur		Iron Grey RAL7011	Finish Fini
Description		Rough Textured	
6500 MXB 600mm x 900mm Bottom		Detail Rev.	
Part Number Numéro Pièce		Rev.	3
6500MXK220609BT		0	3

Qty	Part Number	Rev	Description
1	STK-P-03810R	0	Powder Paint (Iron Grey / Rough Textured)
8	STK-Q-06001	0	Mtrx - Gland Plate M6 Plastic Thumb Nut
2	STK-Q-16055	1	M6 x 18mm Stud (No Paint Cap Required)
1	6500MXK220609GP100-P	0	6500 MXB 600mm Gland Plate Part (100mm)
3	6500MXK220609GP200-P	0	6500 MXB 600mm Gland Plate Part (200mm)
8	STK-Q-16031	0	M6 x 10mm Stud (No Paint Cap Required)
1	6500MXK220609BTGPG	0	6500 MXB 600mm x 900mm Bottom Gland Plate Gasket
1	6500MXK220609BTG	0	6500 MXB 600mm x 900mm Bottom Gasket
1	6500MXK220609BT-P	0	6500 MXB 600mm x 900mm Bottom Part
Parts List			


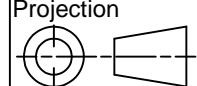
This drawing is confidential and must not be reproduced or used without the consent of EXM

Ce dessin est confidentiel et ne doit pas être reproduit ou utilisé sans le consentement de EXM



No.	Revisions	Date	By/Par

Isometric View

 Tél: (450) 979-4373 Fax: (450) 979-4626 www.exmweb.com		Flatness Aplatissement Max 3.0mm Projection 
Customer Client	Date	
Drawn By Dessiné Par	BoxCad: Annie	Date 08/08/2014
Material Matière	14 Ga H.R.P. & O. (1.7mm)	
Color Couleur	Light Grey RAL7035	Finish Fini Rough Textured
Description 6500 MXR 2200mm x 600mm Back		Detail Rev.
Part Number Numéro Pièce	Rev. 0	1 / 3

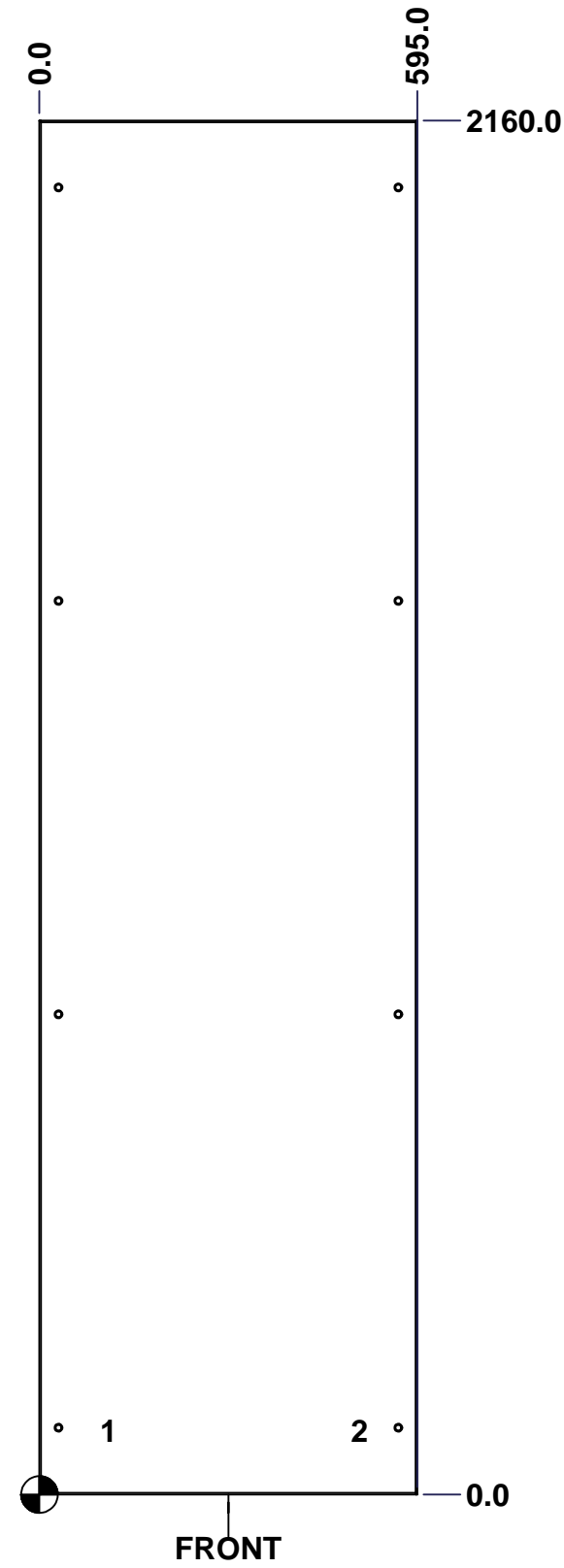
SEE BILL OF MATERIAL ON LAST PAGE

6500MXK220609B

This drawing is confidential and must not be reproduced or used without the consent of EXM

Ce dessin est confidentiel et ne doit pas être reproduit ou utilisé sans le consentement de EXM

STANDARD FEATURES ARE NOT LISTED IN THIS HOLE TABLE			
HOLE TABLE - FRONT VIEW (CUSTOM FEATURE ONLY)			
CUT-OUT	XDIM	YDIM	DESCRIPTION
1	100.0	100.0	GND STUD M6 x 16mm (Inside)
2	495.0	100.0	GND STUD M6 x 16mm (Inside)

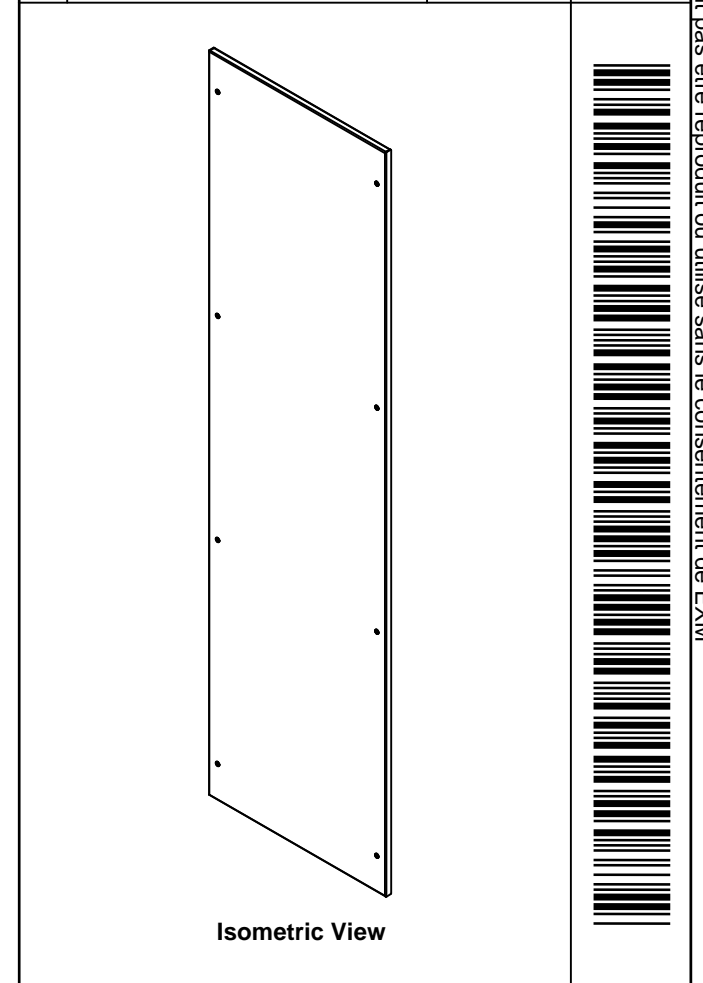



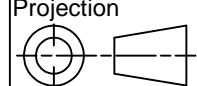
	Description 6500 MXR 2200mm x 600mm Back		Status (NULL)
	Part Number Numéro Pièce 6500MXK220609B		Rev. 2 0 / 3

This drawing is confidential and must not be reproduced or used without the consent of EXM

Ce dessin est confidentiel et ne doit pas être reproduit ou utilisé sans le consentement de EXM

No.	Revisions	Date	By/Par

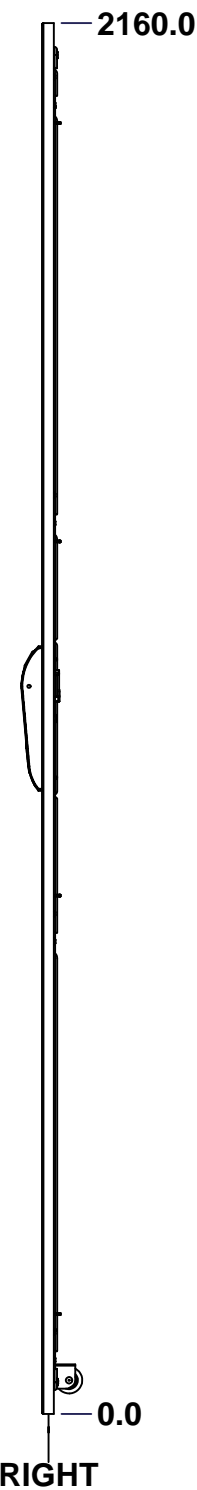
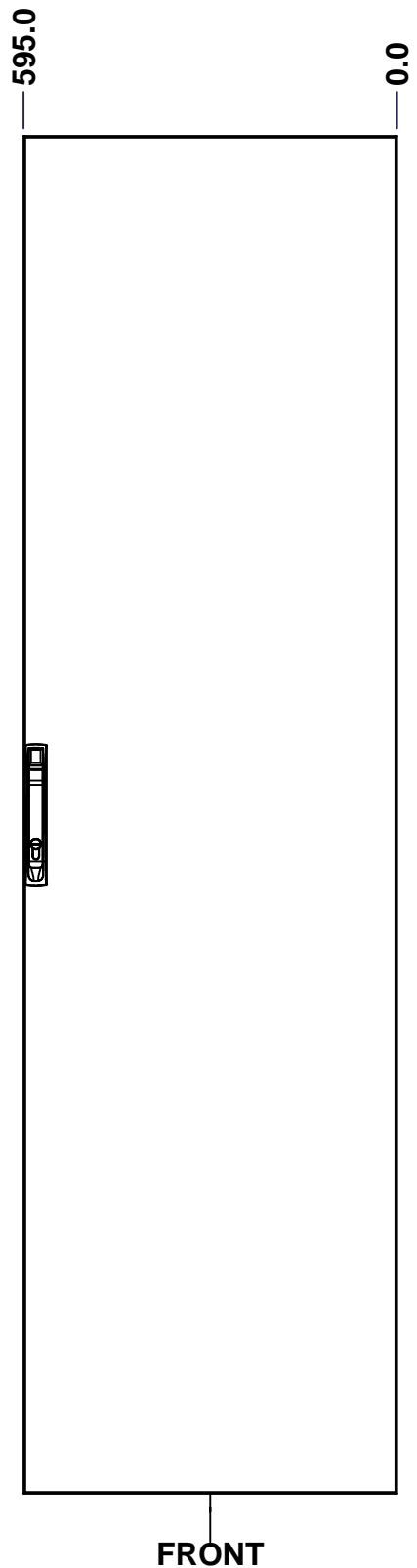
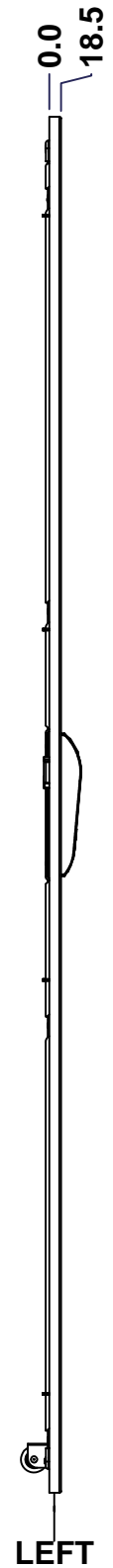
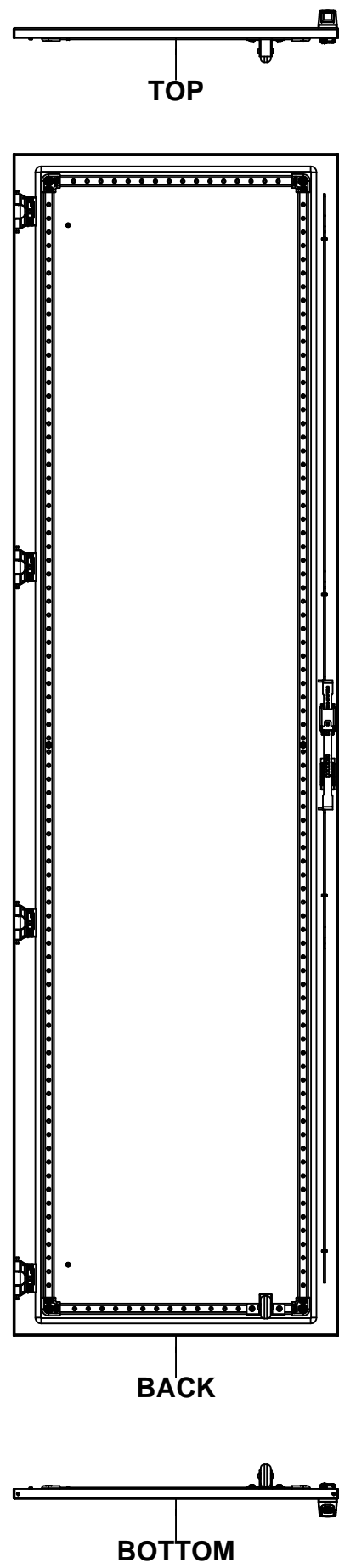


 Tél: (450) 979-4373 Fax: (450) 979-4626 www.exmweb.com		Flatness Aplatissement Max 3.0mm Projection 	
Customer Client		Date	
Drawn By / Dessiné Par: BoxCad: Annie		Date: 08/08/2014	
Material / Matière: 14 Ga H.R.P. & O. (1.7mm)			
Color / Couleur: Light Grey RAL7035		Finish / Fini: Rough Textured	
Description: 6500 MXR 2200mm x 600mm Back			Detail Rev.
Part Number / Numéro Pièce: 6500MXK220609B			Rev. 3

Qty	Part Number	Rev	Description
1	STK-P-03820R	0	Powder Paint (Light Grey / Rough Textured)
8	STK-Q-03072	2	M6 x 17mm Phillips Flat Head Screw
2	STK-Q-16080	0.1.1	M6 x 16mm Ground Stud
1	6500MXK220609BG	0	6500 MXR 2200mm x 600mm Back Gasket
1	6500MXK220609B-P	0	6500 MXR 2200mm x 600mm Back Part
Parts List			

This drawing is confidential and must not be reproduced or used without the consent of EXM

Ce dessin est confidentiel et ne doit pas être reproduit ou utilisé sans le consentement de EXM



No.	Revisions	Date	By/Par

Isometric View

		Flatness Aplatissement Max 3.0mm Projection 	
Tél: (450) 979-4373 Fax: (450) 979-4626 www.exmweb.com		Customer Client Date	
Drawn By Dessiné Par BoxCad: Annie		Date 08/08/2014	
Material Matière 14 Ga H.R.P. & O. (1.7mm)		Finish Fini Rough Textured	
Color Couleur Light Grey RAL7035		Description 6500 MXD 2200mm x 600mm Front	
Part Number Numéro Pièce 6500MXK220609F		Detail Rev. Rev. 1 0 3	

SEE BILL OF MATERIAL ON LAST PAGE

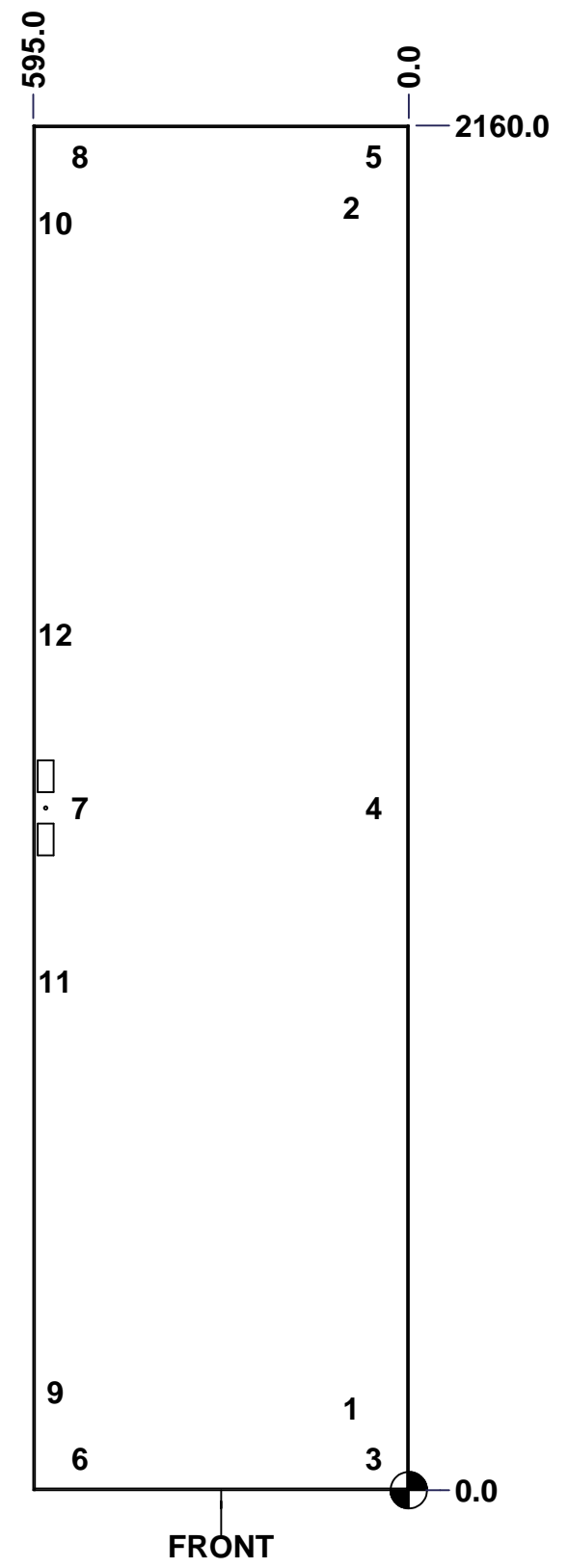
This drawing is confidential and must not be reproduced or used without the consent of EXM

Ce dessin est confidentiel et ne doit pas être reproduit ou utilisé sans le consentement de EXM

STANDARD FEATURES ARE NOT LISTED IN THIS HOLE TABLE

HOLE TABLE - FRONT VIEW (CUSTOM FEATURE ONLY)

CUT-OUT	XDIM	YDIM	DESCRIPTION
1	100.0	130.0	GND STUD M6 x 16mm (Inside)
2	100.0	2030.0	GND STUD M6 x 16mm (Inside)
3	64.5	49.5	STIFF. STUD M6 x 18mm (Inside)
4	64.5	1080.0	STIFF. STUD M6 x 18mm (Inside)
5	64.5	2110.5	STIFF. STUD M6 x 18mm (Inside)
6	530.5	49.5	STIFF. STUD M6 x 18mm (Inside)
7	530.5	1080.0	STIFF. STUD M6 x 18mm (Inside)
8	530.5	2110.5	STIFF. STUD M6 x 18mm (Inside)
9	569.5	155.0	CLOSING BAR GUIDE (Inside)
10	569.5	2005.0	CLOSING BAR GUIDE (Inside)
11	569.5	805.0	CLOSING BAR GUIDE (Inside)
12	569.5	1355.0	CLOSING BAR GUIDE (Inside)

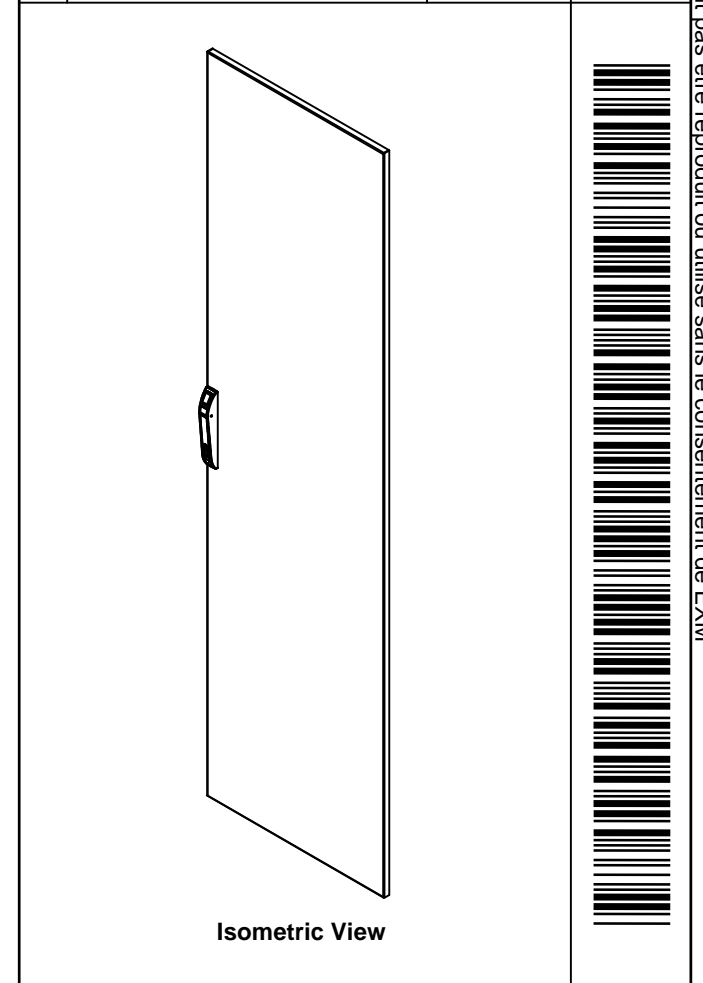


	Description	Status
	6500 MXD 2200mm x 600mm Front	(NULL)
	Part Number Numéro Pièce	Rev.
	6500MXK220609F	0
		2
		3


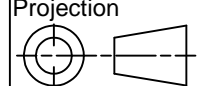
This drawing is confidential and must not be reproduced or used without the consent of EXM

Ce dessin est confidentiel et ne doit pas être reproduit ou utilisé sans le consentement de EXM

No.	Revisions	Date	By/Par

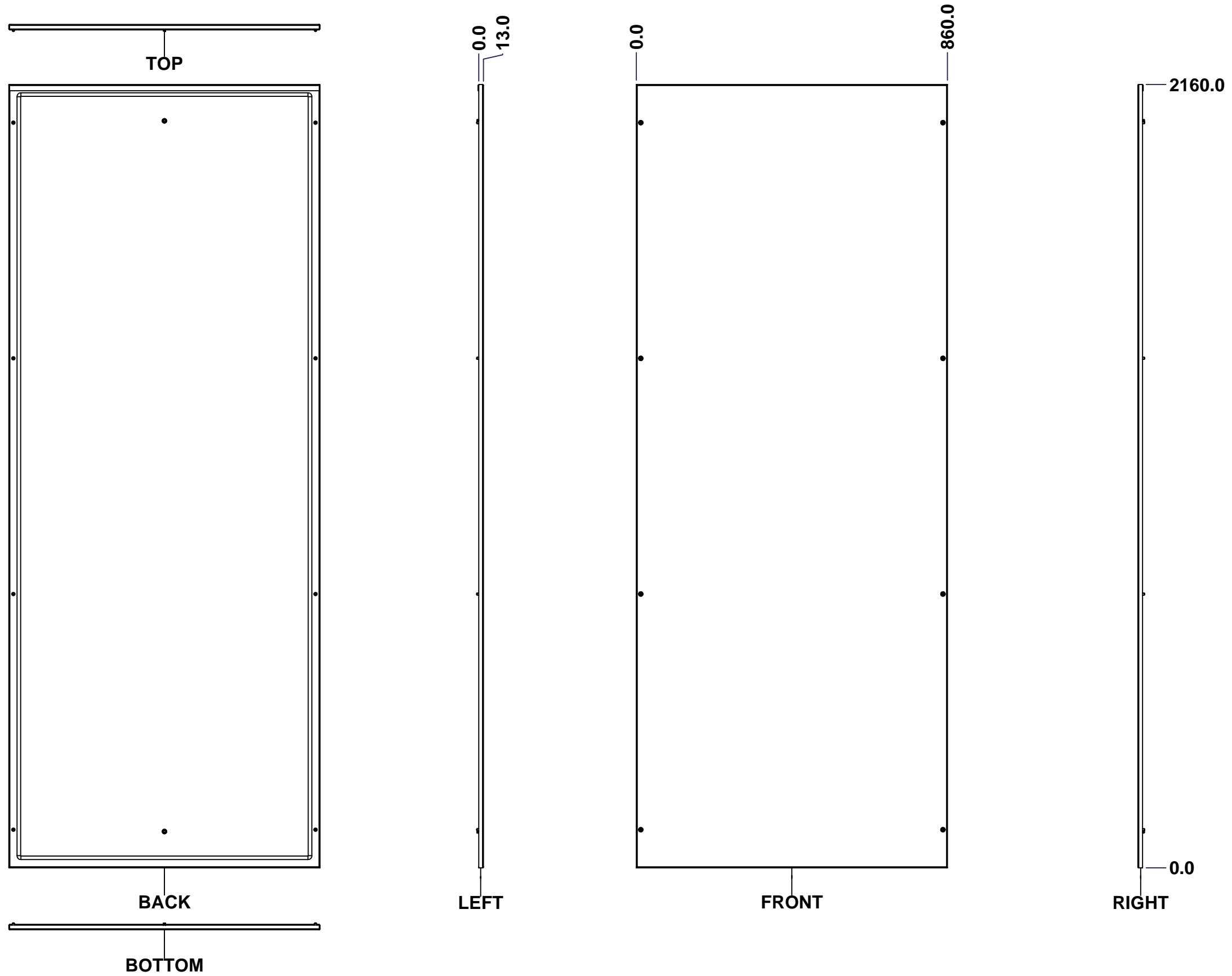


1	STK-P-03820R	0	Powder Paint (Light Grey / Rough Textured)
1	6500MXSRK	1	6500 MXRSK Door Support Roller
4	STK-Q-78022	0	Mtrx Closing Bar Slider
1	STK-Q-45746-22	1	6500 MXD - Lock Door Closing Bar
4	STK-Q-33105	4	5412 ESBU Buttable Hinge (Cover Part)
1	STK-Q-45729-22	2	6500 MXD - Lock Door Top Closing Bar
1	886PHD-S	4	Euroform Pull Handle Kit
8	STK-Q-16055	1	M6 x 18mm Stud (No Paint Cap Required)
1	6500MXK220609DS1	5	6500 MX 2200mm x 600mm Door Stiffener
1	6500MXK220609FG	0	6500 MXD 2200mm x 600mm Front Gasket
1	6500MXK220609F-P	0	6500 MXD 2200mm x 600mm Front Part
4	STK-K-06811	1	6500 MX - Hinge Assy
Qty	Part Number	Rev	Description
Parts List			

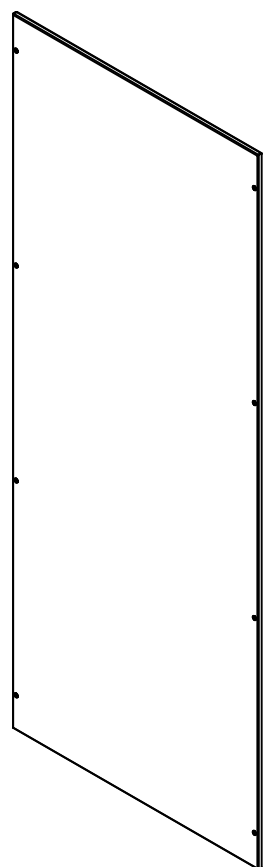
 Tél: (450) 979-4373 Fax: (450) 979-4626 www.exmweb.com		Flatness Aplatissement Max 3.0mm Projection 
Customer Client	Date	Date
Drawn By Dessiné Par	BoxCad: Annie	08/08/2014
Material Matière	14 Ga H.R.P. & O. (1.7mm)	
Color Couleur	Light Grey RAL7035	Finish Fin Rough Textured
Description	6500 MXD 2200mm x 600mm Front	
Part Number Numéro Pièce	Rev.	3
6500MXK220609F	0	3

This drawing is confidential and must not be reproduced or used without the consent of EXM

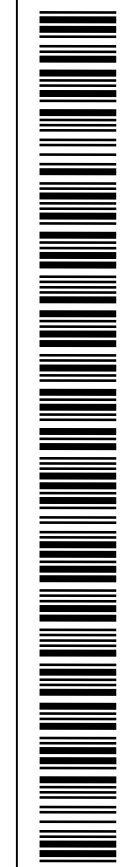
Ce dessin est confidentiel et ne doit pas être reproduit ou utilisé sans le consentement de EXM


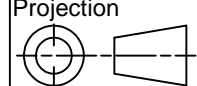


No.	Revisions	Date	By/Par



Isometric View



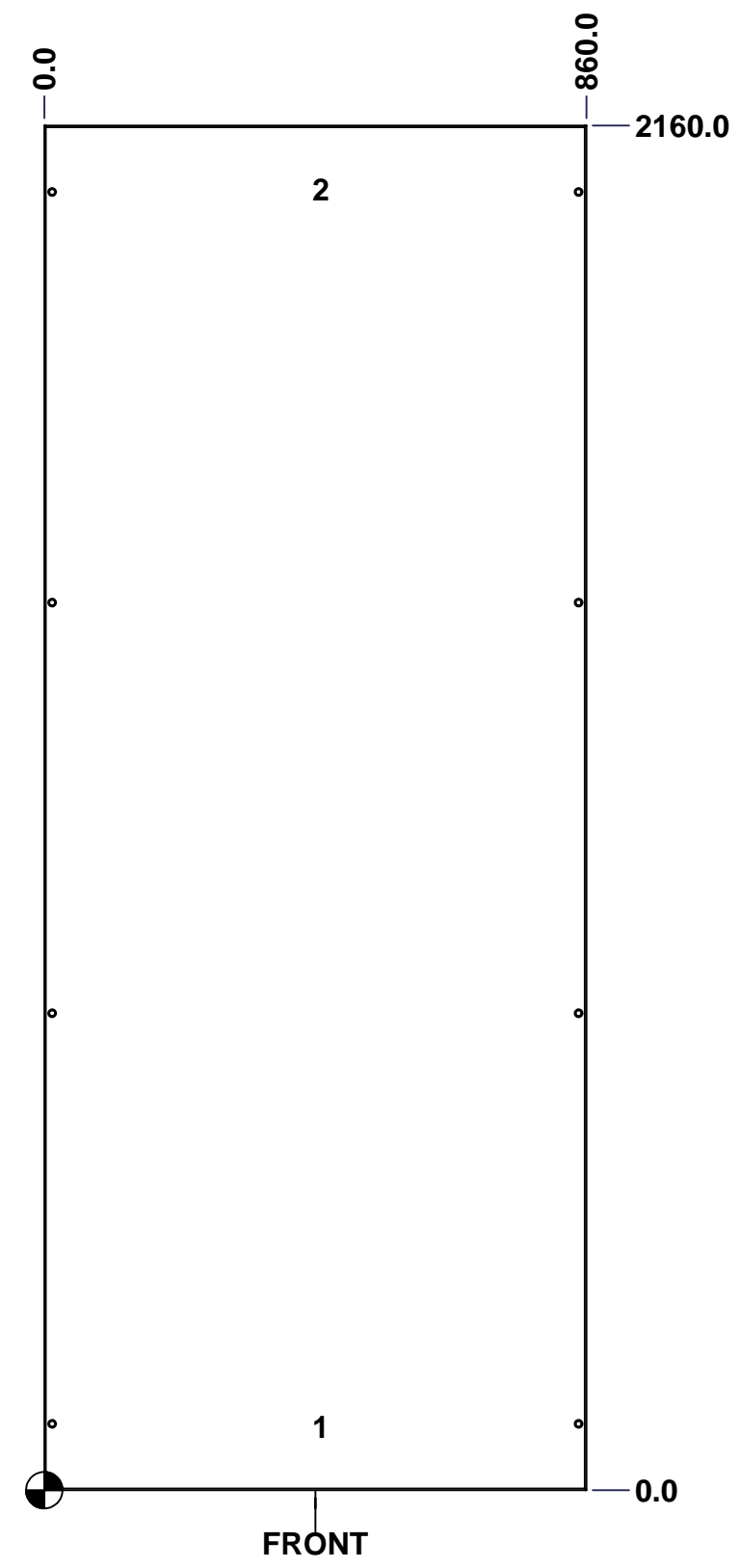
		Tél: (450) 979-4373 Fax: (450) 979-4626 www.exmweb.com		Flatness Aplatissement Max 3.0mm					
Customer Client		Date		Projection 					
Drawn By / Dessiné Par: BoxCad: Annie		Date: 08/08/2014							
Material / Matière: 14 Ga H.R.P. & O. (1.7mm)		Finish / Fini: Rough / Textured							
Description: 6500 MXC 2200mm x 900mm Left				Detail Rev.					
Part Number / Numéro Pièce: 6500MXK220609L				Rev.:	<table border="1" style="width: 100%;"> <tr><td style="width: 50%;">1</td><td style="width: 50%;">3</td></tr> <tr><td style="width: 50%; text-align: center;">0</td><td style="width: 50%;"></td></tr> </table>	1	3	0	
1	3								
0									

SEE BILL OF MATERIAL ON LAST PAGE

This drawing is confidential and must not be reproduced or used without the consent of EXM

Ce dessin est confidentiel et ne doit pas être reproduit ou utilisé sans le consentement de EXM

STANDARD FEATURES ARE NOT LISTED IN THIS HOLE TABLE			
HOLE TABLE - FRONT VIEW (CUSTOM FEATURE ONLY)			
CUT-OUT	XDIM	YDIM	DESCRIPTION
1	430.0	100.0	GND STUD M6 x 16mm (Inside)
2	430.0	2060.0	GND STUD M6 x 16mm (Inside)

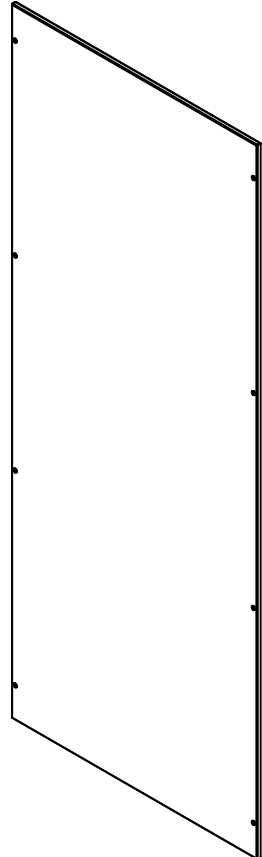


	Description	Status
	6500 MXC 2200mm x 900mm Left	(NULL)
	Part Number Numéro Pièce	Rev.
	6500MXK220609L	0
		2
		3


This drawing is confidential and must not be reproduced or used without the consent of EXM


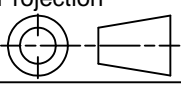
Ce dessin est confidentiel et ne doit pas être reproduit ou utilisé sans le consentement de EXM

No.	Revisions	Date	By/Par



Isometric View

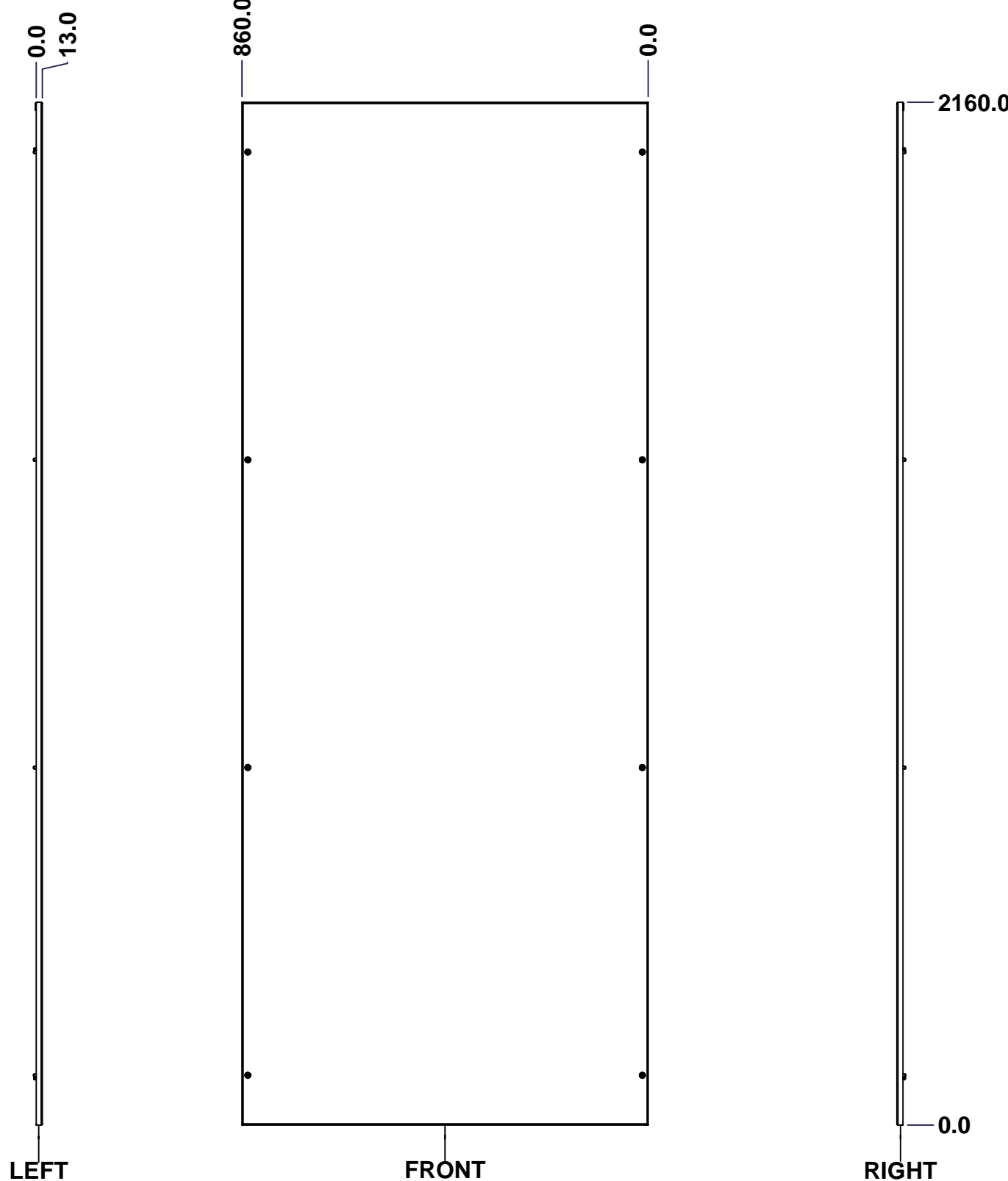
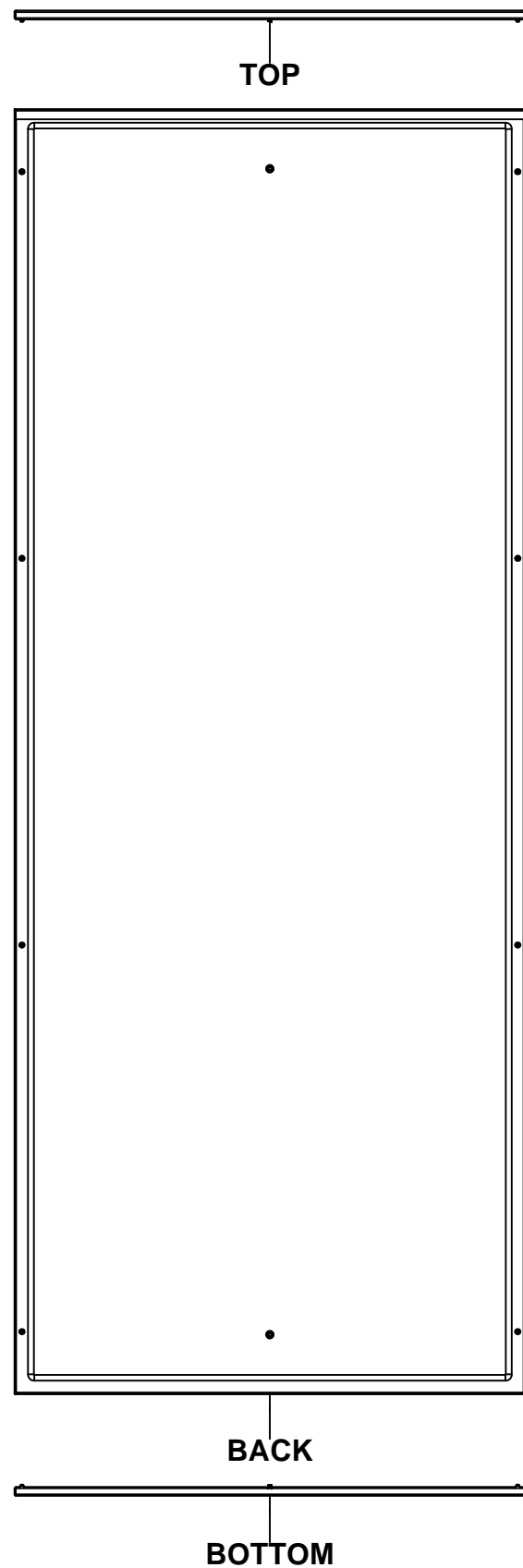


		Tél: (450) 979-4373 Fax: (450) 979-4626 www.exmweb.com		Flatness Aplatissement Max 3.0mm	
Projection 		Customer Client Date			
Drawn By Dessiné Par		BoxCad: Annie		Date 08/08/2014	
Material Matière		14 Ga H.R.P. & O. (1.7mm)			
Color Couleur		Light Grey RAL7035		Finish Fini Rough Textured	
Description 6500 MXC 2200mm x 900mm Left				Detail Rev.	
Part Number Numéro Pièce 6500MXK220609L				Rev. 3 0	

Qty	Part Number	Rev	Description
1	STK-P-03820R	0	Powder Paint (Light Grey / Rough Textured)
8	STK-Q-03072	2	M6 x 17mm Phillips Flat Head Screw
2	STK-Q-16080	0.1.1	M6 x 16mm Ground Stud
1	6500MXK220609LG	0	6500 MXC 2200mm x 900mm Left Gasket
1	6500MXK220609L-P	0	6500 MXC 2200mm x 900mm Left Part
Parts List			

This drawing is confidential and must not be reproduced or used without the consent of EXM

Ce dessin est confidentiel et ne doit pas être reproduit ou utilisé sans le consentement de EXM



No.	Revisions	Date	By/Par

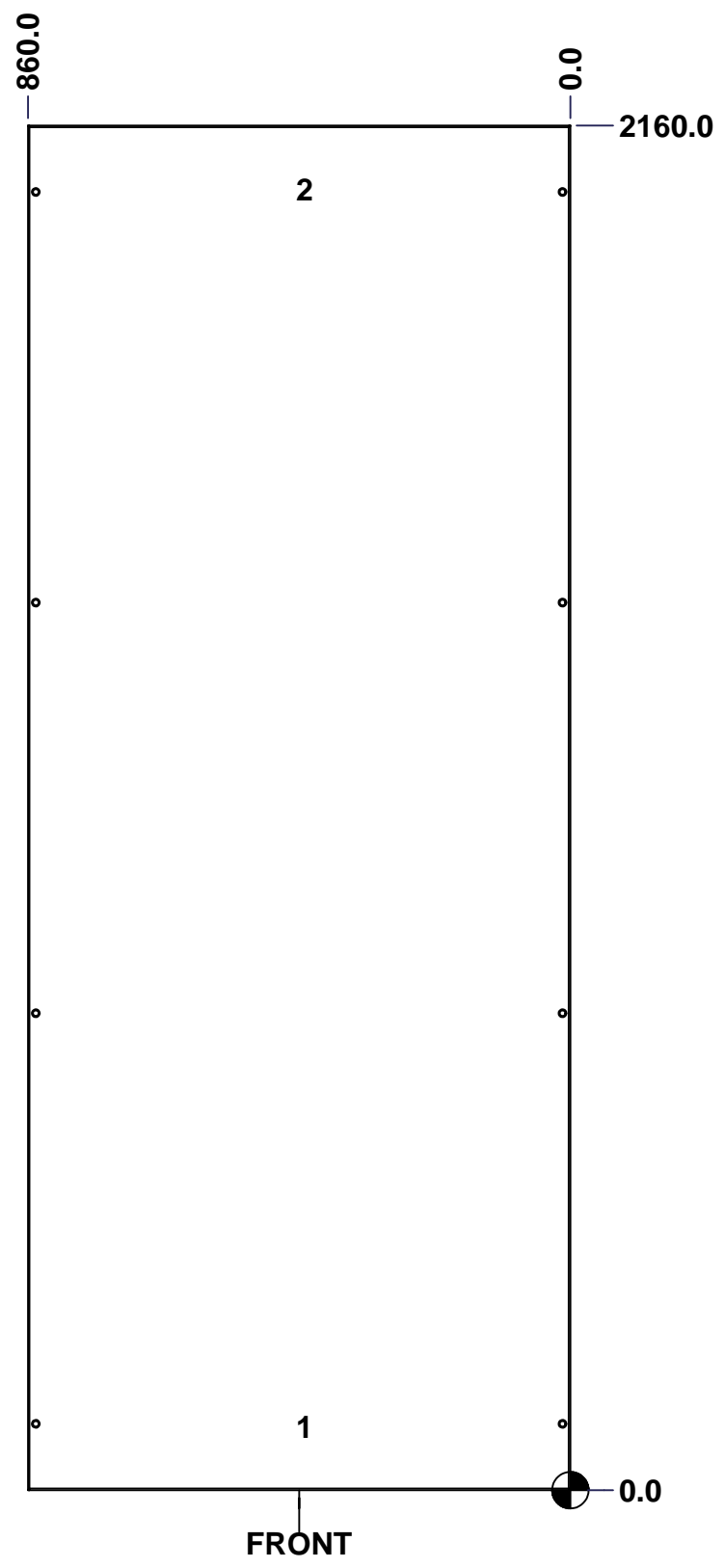
Isometric View

Tél: (450) 979-4373 Fax: (450) 979-4626 www.exmweb.com		Flatness Aplatissement	
		Max 3.0mm	
Customer Client		Projection	
Date			
Drawn By Dessiné Par: BoxCad: Annie		Date: 08/08/2014	
Material Matière: 14 Ga H.R.P. & O. (1.7mm)		Date	
Color Couleur: Light Grey RAL7035		Finish Fin: Rough Textured	
Description: 6500 MXC 2200mm x 900mm Right		Detail Rev.	
Part Number Numéro Pièce: 6500MXK220609R		Rev.:	1
SEE BILL OF MATERIAL ON LAST PAGE		0	3

This drawing is confidential and must not be reproduced or used without the consent of EXM

Ce dessin est confidentiel et ne doit pas être reproduit ou utilisé sans le consentement de EXM

STANDARD FEATURES ARE NOT LISTED IN THIS HOLE TABLE			
HOLE TABLE - FRONT VIEW (CUSTOM FEATURE ONLY)			
CUT-OUT	XDIM	YDIM	DESCRIPTION
1	430.0	100.0	GND STUD M6 x 16mm (Inside)
2	430.0	2060.0	GND STUD M6 x 16mm (Inside)

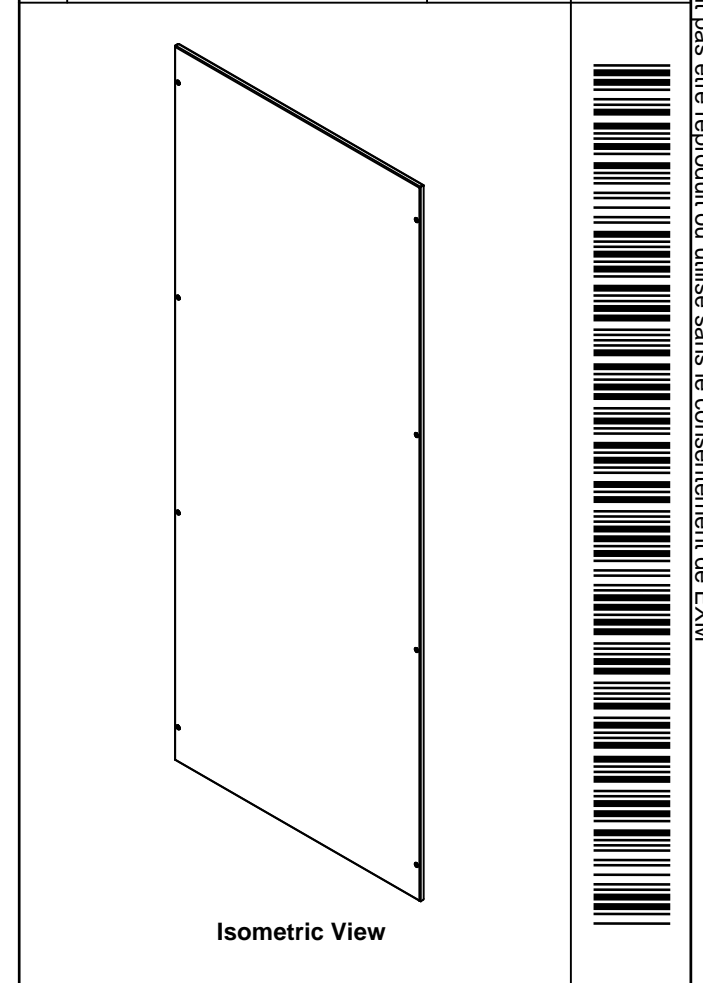



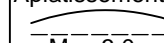
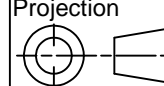
	Description	Status	
	6500 MXC 2200mm x 900mm Right	(NULL)	
	Part Number Numéro Pièce	Rev.	
	6500MXK220609R	0	2 / 3

This drawing is confidential and must not be reproduced or used without the consent of EXM

Ce dessin est confidentiel et ne doit pas être reproduit ou utilisé sans le consentement de EXM

No.	Revisions	Date	By/Par

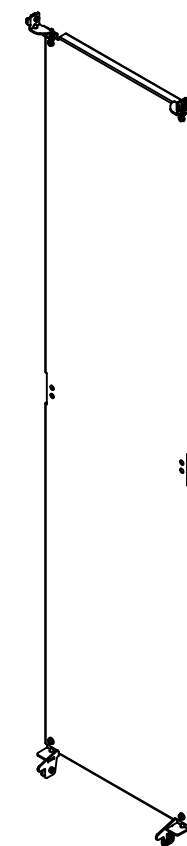
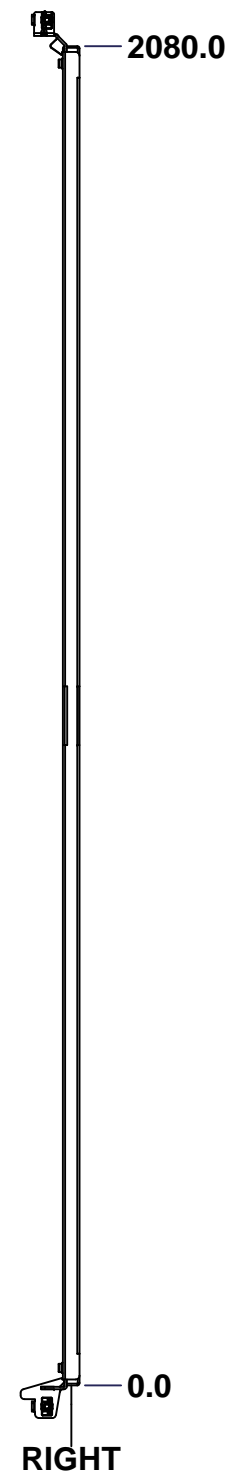
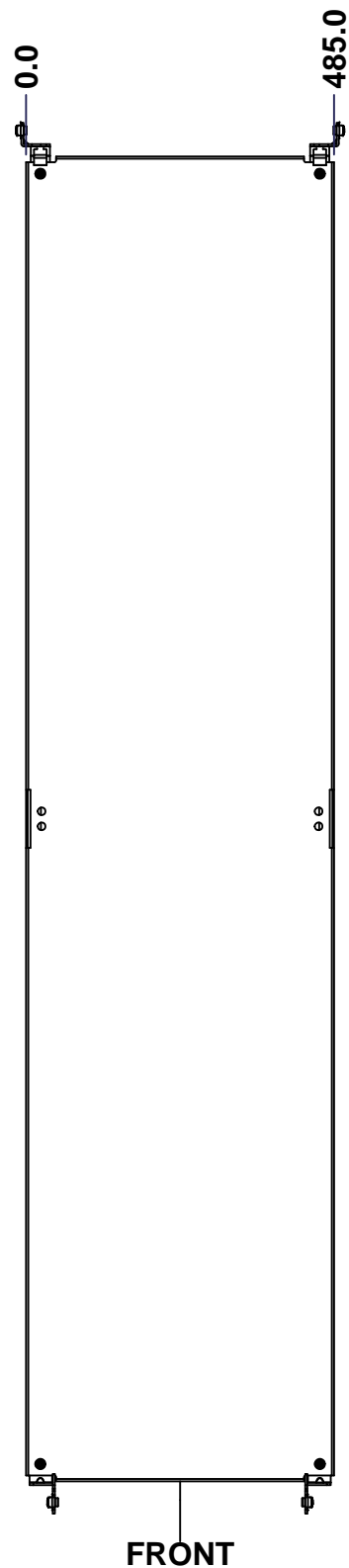
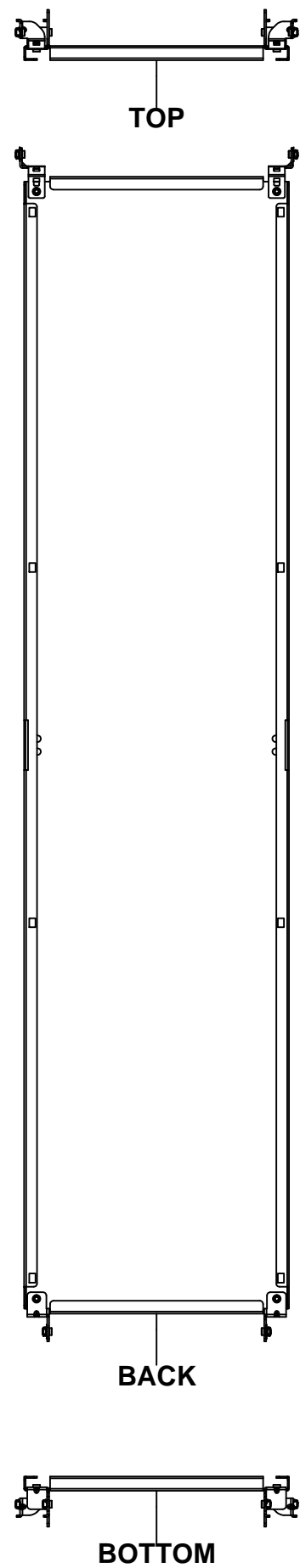


 Tél: (450) 979-4373 Fax: (450) 979-4626 www.exmweb.com		Flatness Aplatissement  Max 3.0mm Projection 	
Customer Client		Date	
Drawn By / Dessiné Par: BoxCad: Annie		Date: 08/08/2014	
Material / Matière: 14 Ga H.R.P. & O. (1.7mm)			
Color / Couleur: Light Grey RAL7035		Finish / Fini: Rough Textured	
Description: 6500 MXC 2200mm x 900mm Right			Detail Rev.
Part Number / Numéro Pièce: 6500MXK220609R			Rev. 3

Qty	Part Number	Rev	Description
1	STK-P-03820R	0	Powder Paint (Light Grey / Rough Textured)
8	STK-Q-03072	2	M6 x 17mm Phillips Flat Head Screw
2	STK-Q-16080	0.1.1	M6 x 16mm Ground Stud
1	6500MXK220609RG	0	6500 MXC 2200mm x 900mm Right Gasket
1	6500MXK220609R-P	0	6500 MXC 2200mm x 900mm Right Part
Parts List			

This drawing is confidential and must not be reproduced or used without the consent of EXM


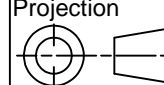
Ce dessin est confidentiel et ne doit pas être reproduit ou utilisé sans le consentement de EXM



Isometric View



No.	Revisions	Date	By/Par

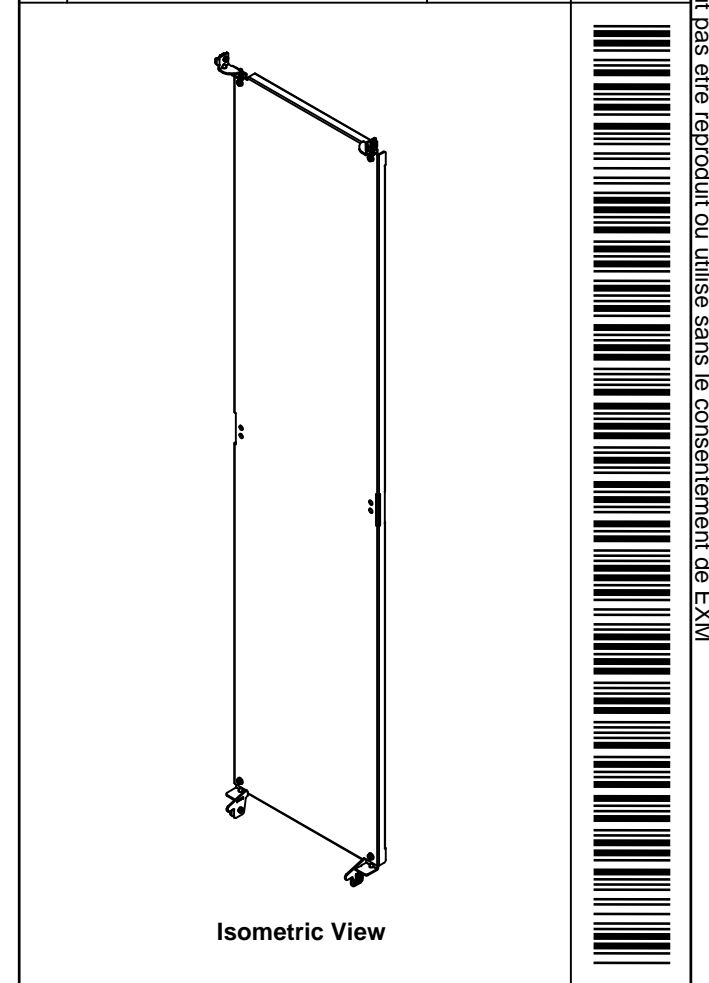
 Tél: (450) 979-4373 Fax: (450) 979-4626 www.exmweb.com		Flatness Aplatissement Max 3.0mm Projection 
Customer Client	Date	
Drawn By Dessiné Par	BoxCad: Annie	Date 08/08/2014
Material Matière	12 Ga Galvanized (2.5mm)	
Color Couleur	Unpainted	Finish Finis Unpainted
Description	Detail Rev.	
6500 MXM 2200mm x 600mm Back Inner Panel		
Part Number Numéro Pièce	Rev.	
6500MXK220609BIP	0	1 / 3

SEE BILL OF MATERIAL ON LAST PAGE

This drawing is confidential and must not be reproduced or used without the consent of EXM

Ce dessin est confidentiel et ne doit pas être reproduit ou utilisé sans le consentement de EXM

No.	Revisions	Date	By/Par



Isometric View

		Tél: (450) 979-4373 Fax: (450) 979-4626 www.exmweb.com		Flatness Aplatissement Max 3.0mm	
Customer Client		Date		Projection 	
Drawn By Dessiné Par		BoxCad: Annie		Date 08/08/2014	
Material Matière		12 Ga Galvanized (2.5mm)			
Color Couleur		Unpainted		Finish Fini Unpainted	
Description 6500 MXM 2200mm x 600mm Back Inner Panel				Detail Rev.	
Part Number Numéro Pièce				Rev. 3	
6500MXK220609BIP				0	

Qty	Part Number	Rev	Description
1	STK-A-49005	0	6500MXM - Bottom Inner Panel Support Kit (Right)
1	STK-A-49000	0	6500MXM - Bottom Inner Panel Support Kit (Left)
1	STK-A-49015	0	6500MXM - Top Inner Panel Support Kit (Right)
1	STK-A-49010	0	6500MXM - Top Inner Panel Support Kit (Left)
1	6500MXK220609BIP-P	0	6500 MXM 2200mm x 600mm Back Inner Panel Part
Parts List			