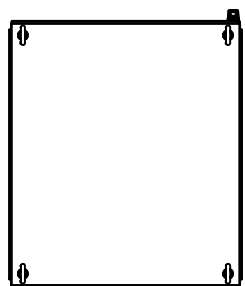
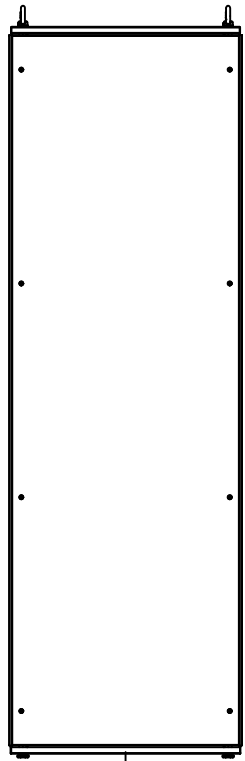


This drawing is confidential and must not be reproduced or used without the consent of EXM

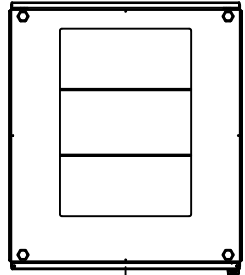
Ce dessin est confidentiel et ne doit pas être reproduit ou utilisé sans le consentement de EXM



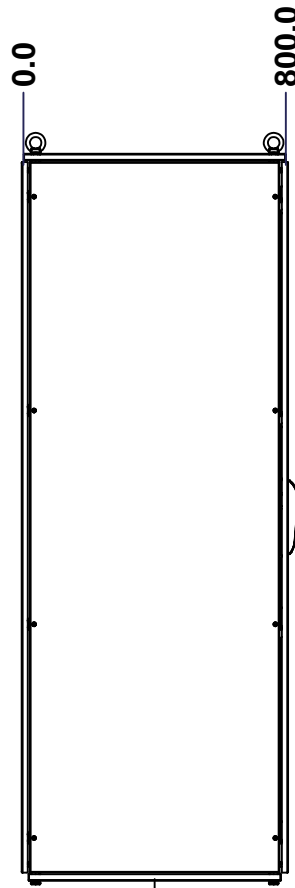
TOP



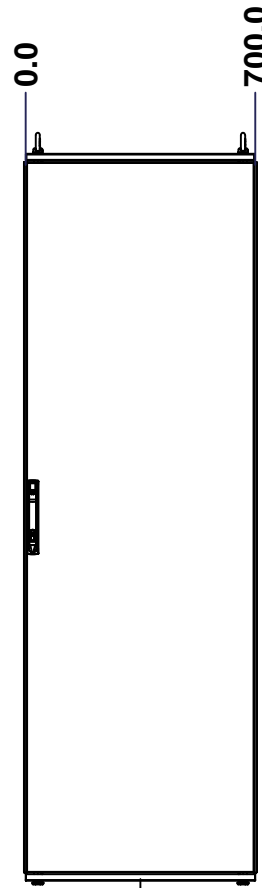
BACK



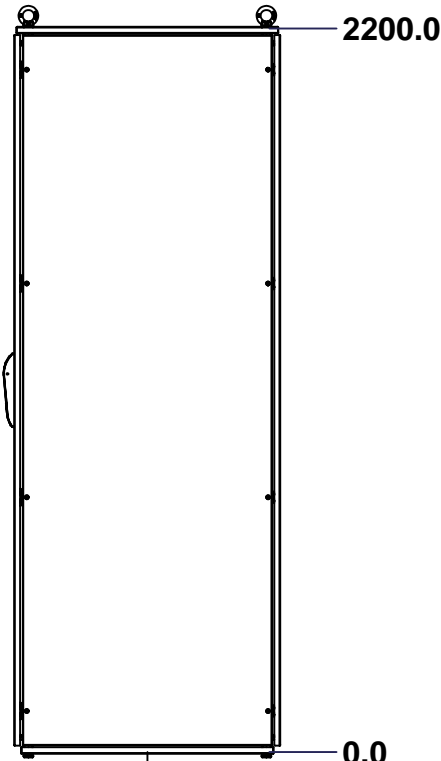
BOTTOM



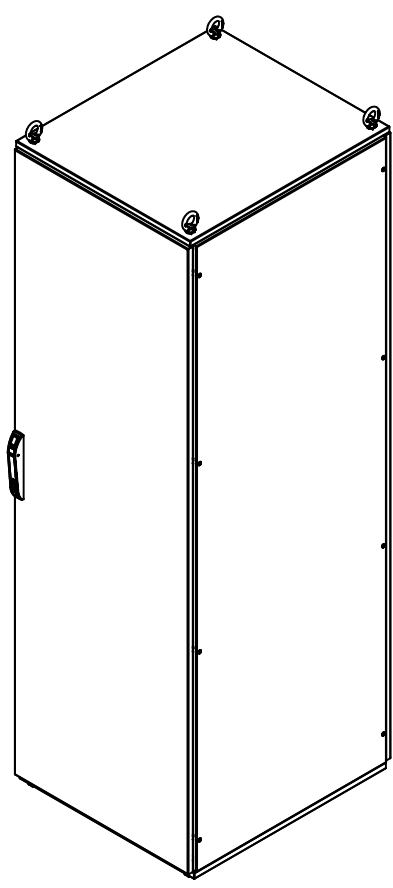
LEFT



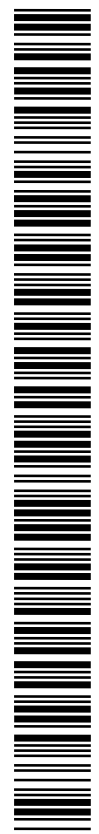
FRONT




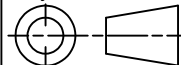
RIGHT



Isometric View



No.	Revisions	Date	By/Par

 Tél: (450) 979-4373 Fax: (450) 979-4626 www.exmweb.com		Flatness Aplatissement Max 3.0mm Projection 
Customer Client	Date	Date
Drawn By Dessiné Par	BoxCad: Annie	Date 24/02/2015
Material Matière	See Part List	
Color Couleur	See Part List	Finish Fini See Part List
Description 6500MX 2200mm x 700mm x 800mm Assembly		Detail Rev.
Part Number Numéro Pièce	Rev. 0	1 2

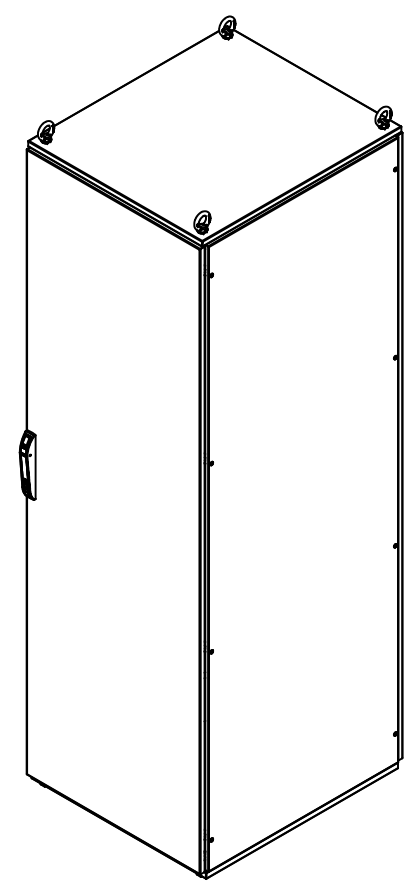
SEE BILL OF MATERIAL ON LAST PAGE

6500MXK220708

This drawing is confidential and must not be reproduced or used without the consent of EXM

Ce dessin est confidentiel et ne doit pas être reproduit ou utilisé sans le consentement de EXM

No.	Revisions	Date	By/Par



Isometric View



Tél: (450) 979-4373
 Fax: (450) 979-4626
www.exmweb.com

Flatness
Aplatissement
Max 3.0mm
Projection

Customer Client
Date
 Drawn By Dessiné Par BoxCad: Annie
Date 24/02/2015

Material Matière
See Part List

Color Couleur
See Part List
 Finish Fini
See Part List

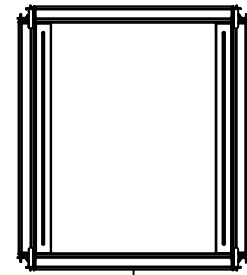
Description
6500MX 2200mm x 700mm x 800mm Assembly
 Detail Rev.

Part Number Numéro Pièce
6500MXK220708
 Rev. 2
0 2

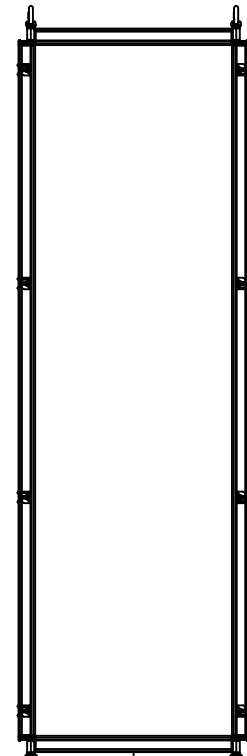
1	6500MXK220708BIP	0	6500 MXM 2200mm x 700mm Back Inner Panel
1	6500MXK220708R	0	6500 MXC 2200mm x 800mm Right
1	6500MXK220708L	0	6500 MXC 2200mm x 800mm Left
1	6500MXK220708F	0	6500 MXD 2200mm x 700mm Front
1	6500MXK220708B	0	6500 MXR 2200mm x 700mm Back
1	6500MXK220708BT	0	6500 MXB 700mm x 800mm Bottom
1	6500MXK220708T	0	6500 MXT 700mm x 800mm Top
1	6500MXK220708FR	0	6500 MX 2200mm x 700mm x 800mm Frame
Qty	Part Number	Rev	Description
Parts List			

This drawing is confidential and must not be reproduced or used without the consent of EXM

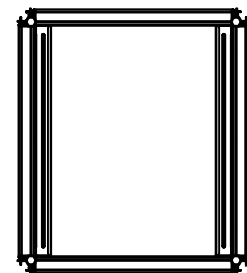
Ce dessin est confidentiel et ne doit pas être reproduit ou utilisé sans le consentement de EXM



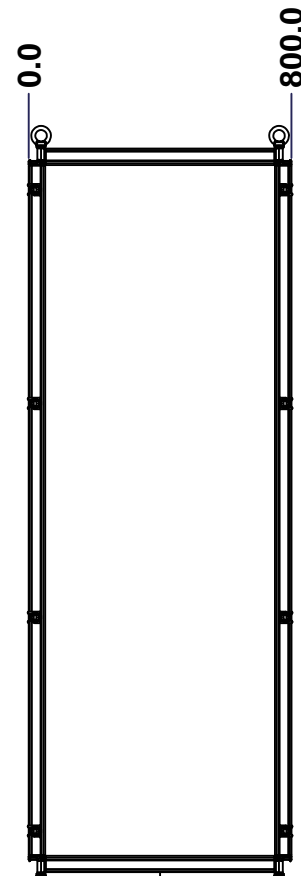
TOP



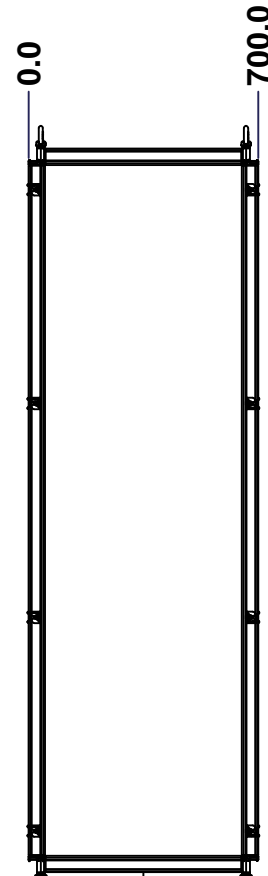
BACK



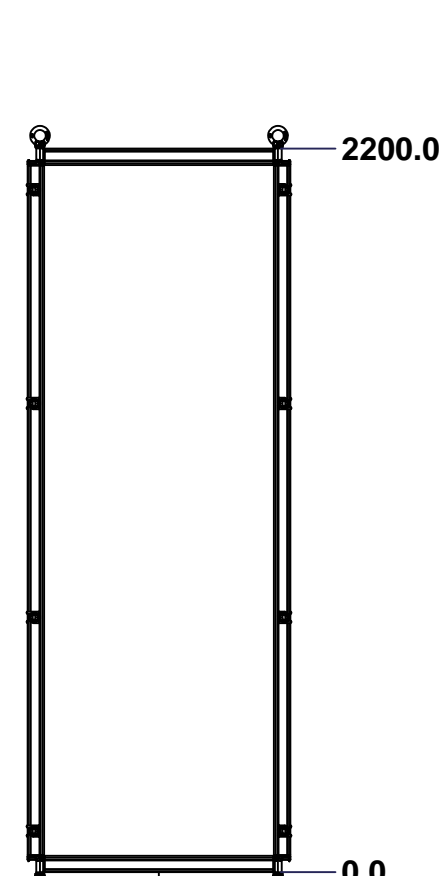
BOTTOM



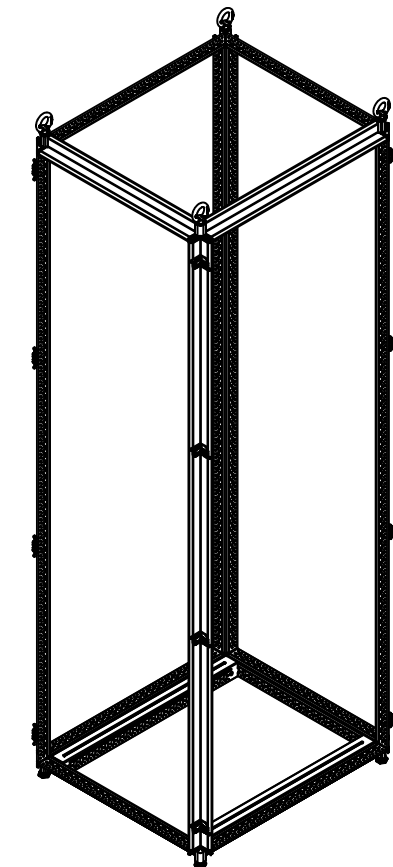
LEFT



FRONT




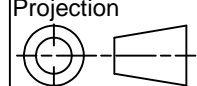
RIGHT



Isometric View



No.	Revisions	Date	By/Par

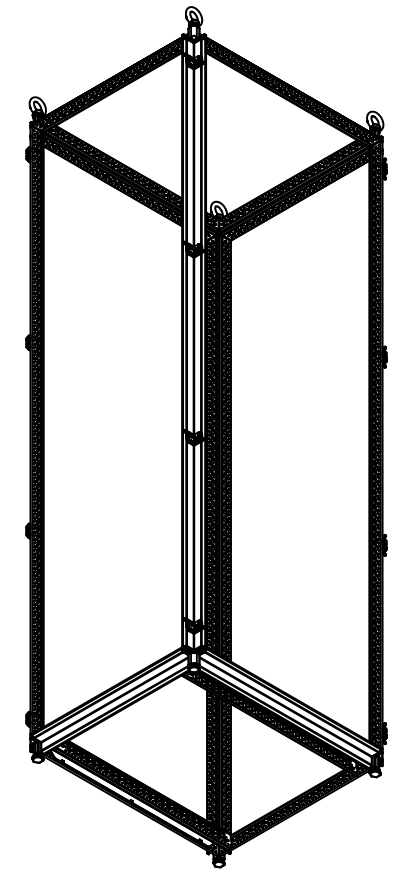
 Tél: (450) 979-4373 Fax: (450) 979-4626 www.exmweb.com		Flatness Aplatissement Max 3.0mm Projection 	
Customer Client		Date	
Drawn By / Dessiné Par: BoxCad: Annie		Date: 24/02/2015	
Material / Matière: 16 Ga Electro-Galvanized (1.4mm)			
Color / Couleur: Iron Grey RAL7011		Finish / Fini: Rough Textured	
Description: 6500 MX 2200mm x 700mm x 800mm Frame			Detail Rev.
Part Number / Numéro Pièce: 6500MXK220708FR		Rev. 0	1 / 2

SEE BILL OF MATERIAL ON LAST PAGE

This drawing is confidential and must not be reproduced or used without the consent of EXM

Ce dessin est confidentiel et ne doit pas être reproduit ou utilisé sans le consentement de EXM


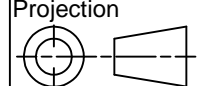
No.	Revisions	Date	By/Par



Isometric View



Qty	Part Number	Rev	Description
1	STK-P-03810R	0	Powder Paint (Iron Grey / Rough Textured)
1	STK-Q-49065	3	6500 MXM Inner Panel Slider 800mm
1	STK-Q-49065-L	3	6500 MXM Inner Panel Slider 800mm
4	STK-Q-49500	3	M12 Eye Bolt (0.34T)
4	STK-Q-61110	0	M12 Feet Leveler
8	STK-Q-00610	1	M18 x 30.5mm Bolt - Cover
4	STK-Q-47251-22	3	6500 MX 2200mm Vertical Frame Post Part
4	STK-Q-47250-07	3	6500 MX 700mm Horizontal Frame Post Part
4	STK-Q-47250-08	3	6500 MX 800mm Horizontal Frame Post Part
8	STK-Q-49445	2	6500 MX - Frame Corner Bracket Casting
16	STK-K-11001	2	3 Way Fixed Bracket Kit
Parts List			

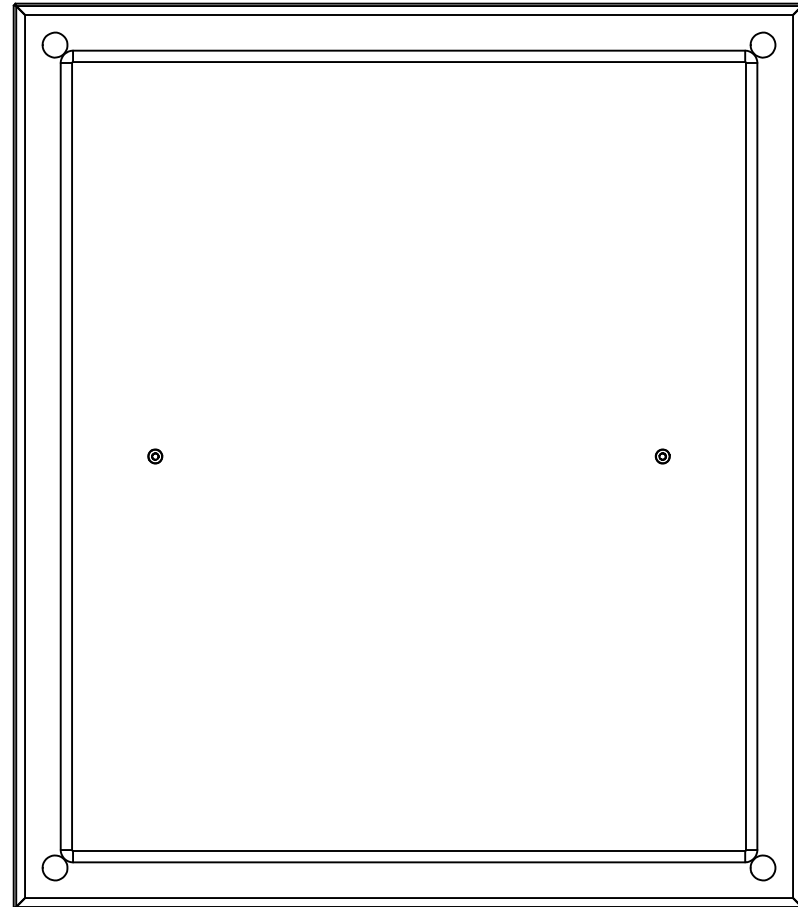
 Tél: (450) 979-4373 Fax: (450) 979-4626 www.exmweb.com		Flatness Aplatissement Max 3.0mm Projection 
Customer Client	Date	
Drawn By Dessiné Par	BoxCad: Annie	Date 24/02/2015
Material Matière	16 Ga Electro-Galvanized (1.4mm)	
Color Couleur	Iron Grey RAL7011	Finish Fini Rough Textured
Description	Detail Rev.	
6500 MX 2200mm x 700mm x 800mm Frame		
Part Number Numéro Pièce	Rev.	2
6500MXK220708FR	0	2

This drawing is confidential and must not be reproduced or used without the consent of EXM

Ce dessin est confidentiel et ne doit pas être reproduit ou utilisé sans le consentement de EXM



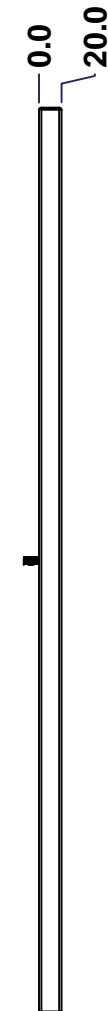
TOP



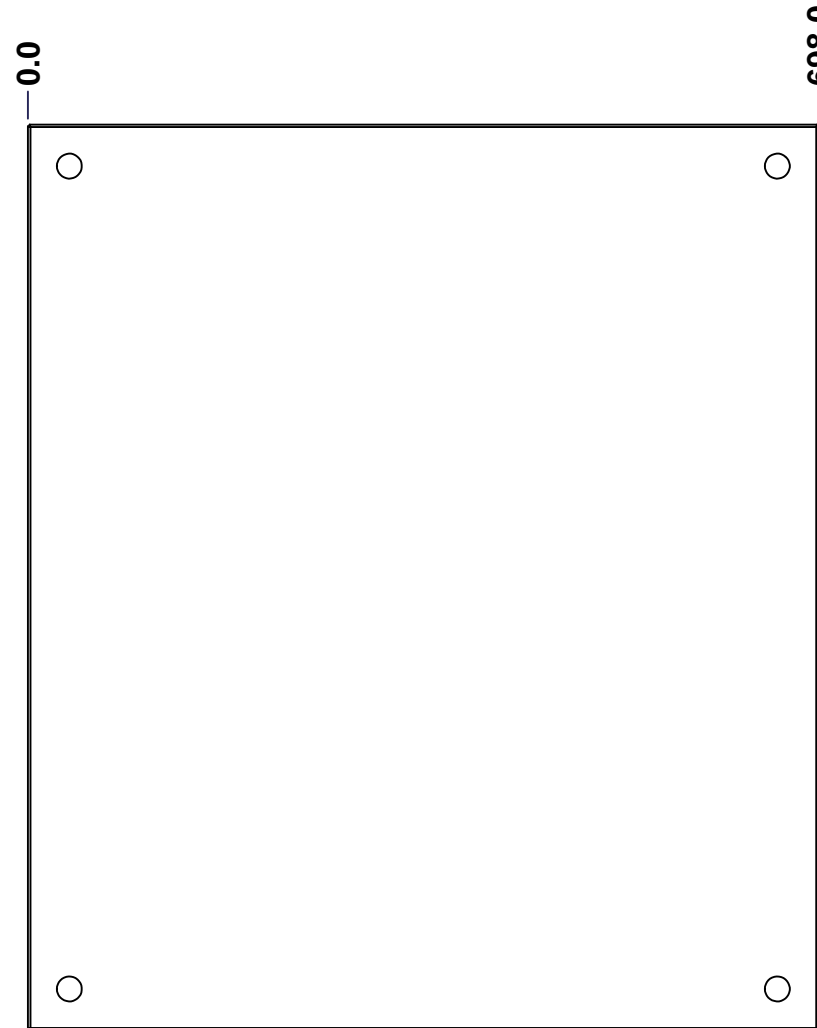
BACK



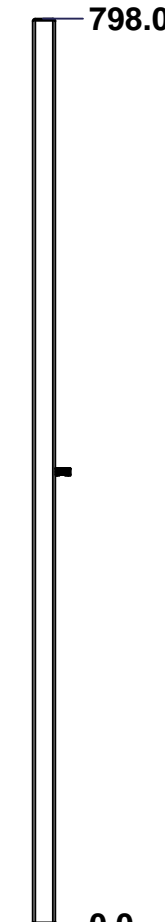
BOTTOM



LEFT

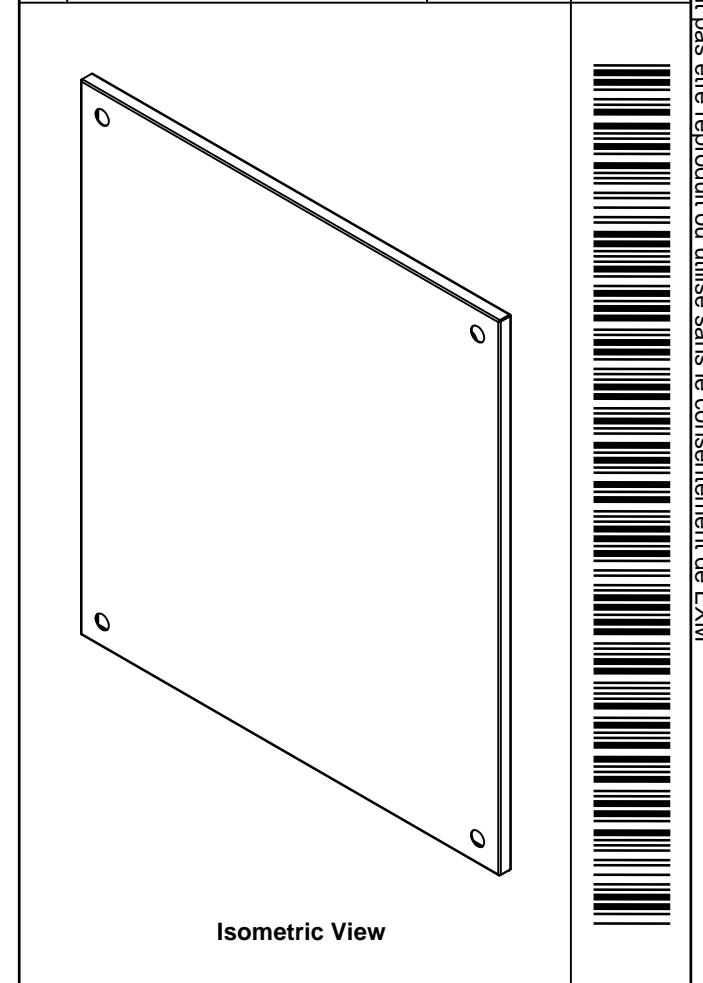


FRONT


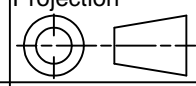


RIGHT

No.	Revisions	Date	By/Par



Isometric View

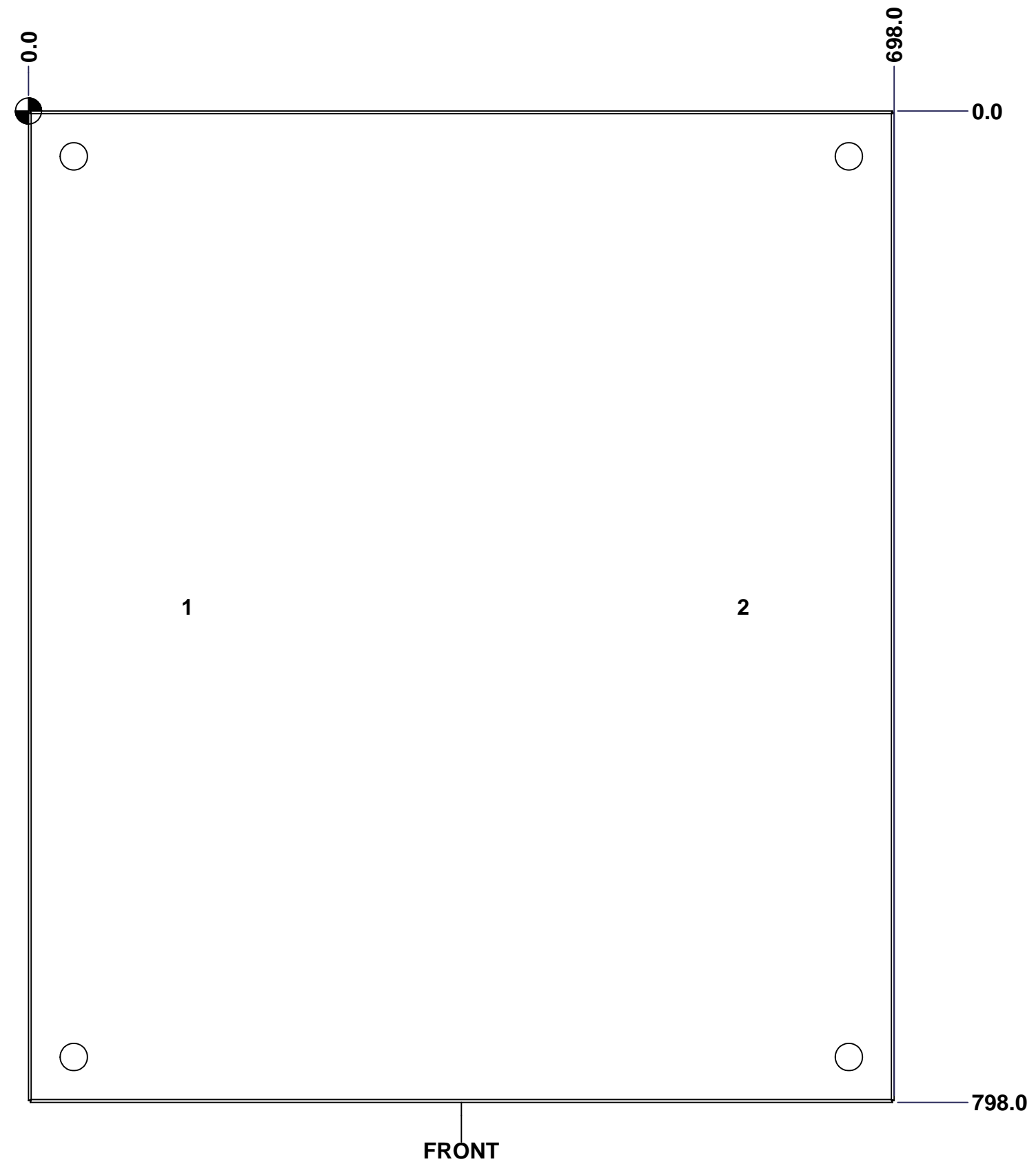
 Tél: (450) 979-4373 Fax: (450) 979-4626 www.exmweb.com		Flatness Aplatissement Max 3.0mm Projection 
Customer Client	Date	
Drawn By Dessiné Par	BoxCad: Annie	Date 24/02/2015
Material Matière	16 Ga H.R.P. & O. (1.4mm)	
Color Couleur	Iron Grey RAL7011	Finish Fini Rough Textured
Description	Detail Rev.	
6500 MXT 700mm x 800mm Top		
Part Number Numéro Pièce	Rev.	1 3
6500MXK220708T	0	

SEE BILL OF MATERIAL ON LAST PAGE

This drawing is confidential and must not be reproduced or used without the consent of EXM

Ce dessin est confidentiel et ne doit pas être reproduit ou utilisé sans le consentement de EXM

STANDARD FEATURES ARE NOT LISTED IN THIS HOLE TABLE			
HOLE TABLE - FRONT VIEW (CUSTOM FEATURE ONLY)			
CUT-OUT	XDIM	YDIM	DESCRIPTION
1	125.0	399.0	GND STUD M6 x 16mm (Inside)
2	573.0	399.0	GND STUD M6 x 16mm (Inside)

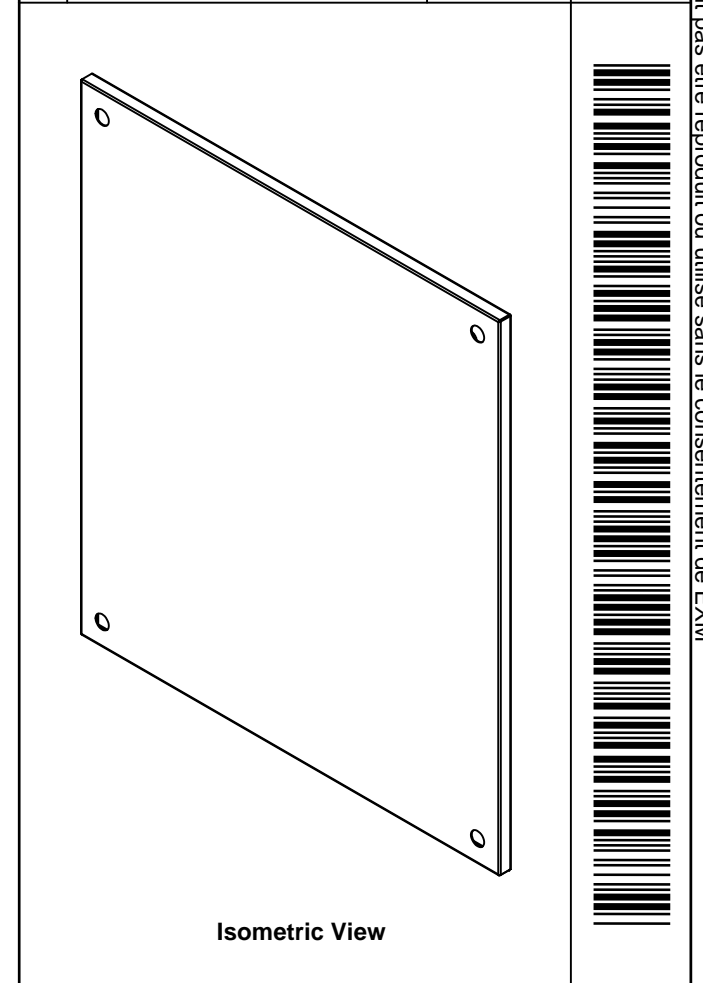



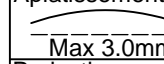
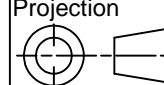
	Description	Status
	6500 MXT 700mm x 800mm Top	(NULL)
	Part Number Numéro Pièce	Rev.
	6500MXK220708T	0
		2
		3

This drawing is confidential and must not be reproduced or used without the consent of EXM

Ce dessin est confidentiel et ne doit pas être reproduit ou utilisé sans le consentement de EXM

No.	Revisions	Date	By/Par

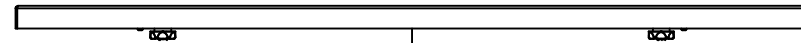


 Tél: (450) 979-4373 Fax: (450) 979-4626 www.exmweb.com		Flatness Aplatissement  Max 3.0mm Projection 
Customer Client	Date	
Drawn By Dessiné Par	BoxCad: Annie	Date 24/02/2015
Material Matière	16 Ga H.R.P. & O. (1.4mm)	
Color Couleur	Iron Grey RAL7011	Finish Fini Rough Textured
Description	Detail Rev.	
6500 MXT 700mm x 800mm Top		
Part Number Numéro Pièce	Rev. 3	3
6500MXK220708T		0

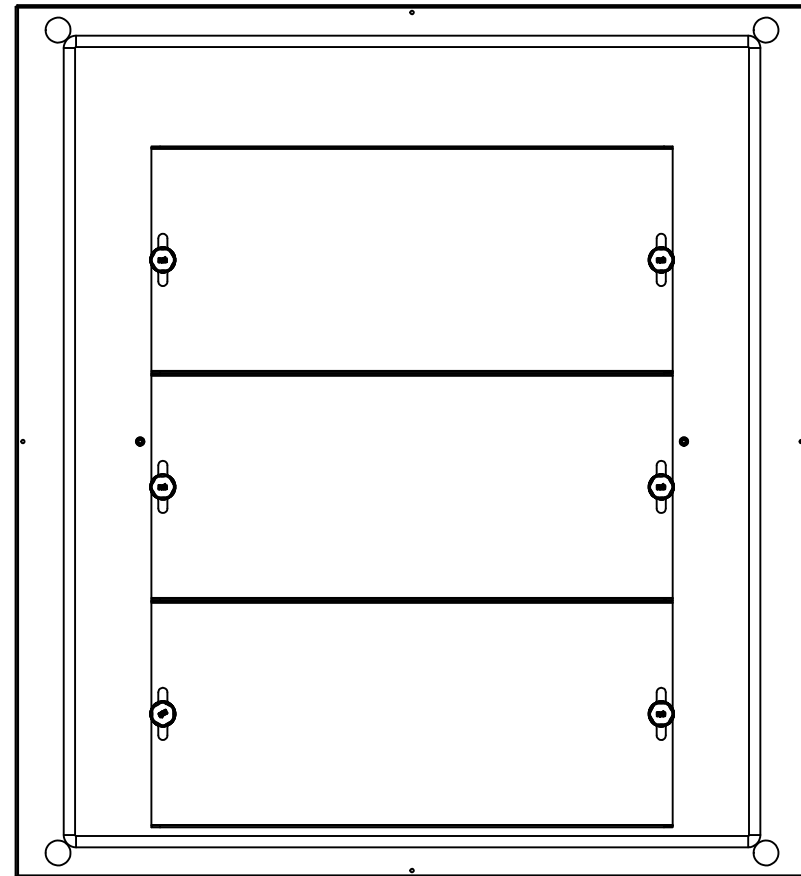
Qty	Part Number	Rev	Description
1	STK-P-03810R	0	Powder Paint (Iron Grey / Rough Textured)
2	STK-Q-16080	0.1.1	M6 x 16mm Ground Stud
1	6500MXK220708TG	0	6500 MXT 700mm x 800mm Top Gasket
1	6500MXK220708T-P	0	6500 MXT 700mm x 800mm Top Part
Parts List			

This drawing is confidential and must not be reproduced or used without the consent of EXM

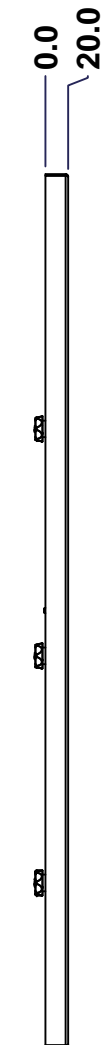
Ce dessin est confidentiel et ne doit pas être reproduit ou utilisé sans le consentement de EXM



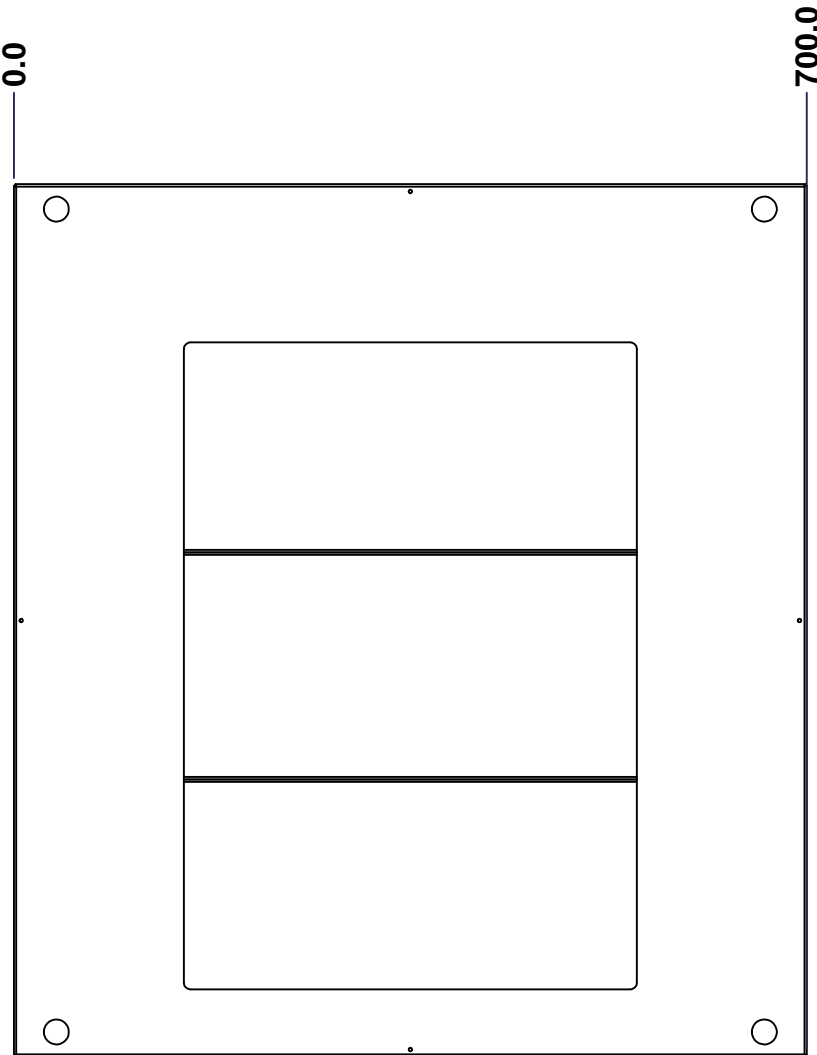
TOP



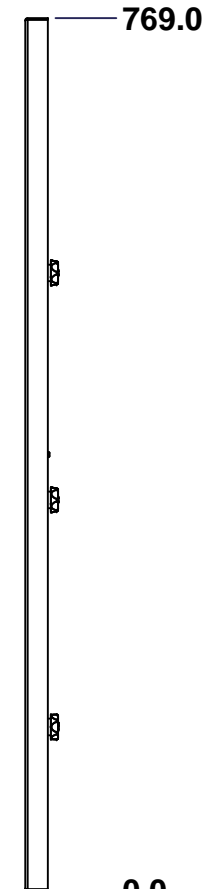
BACK



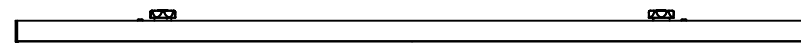
LEFT



FRONT

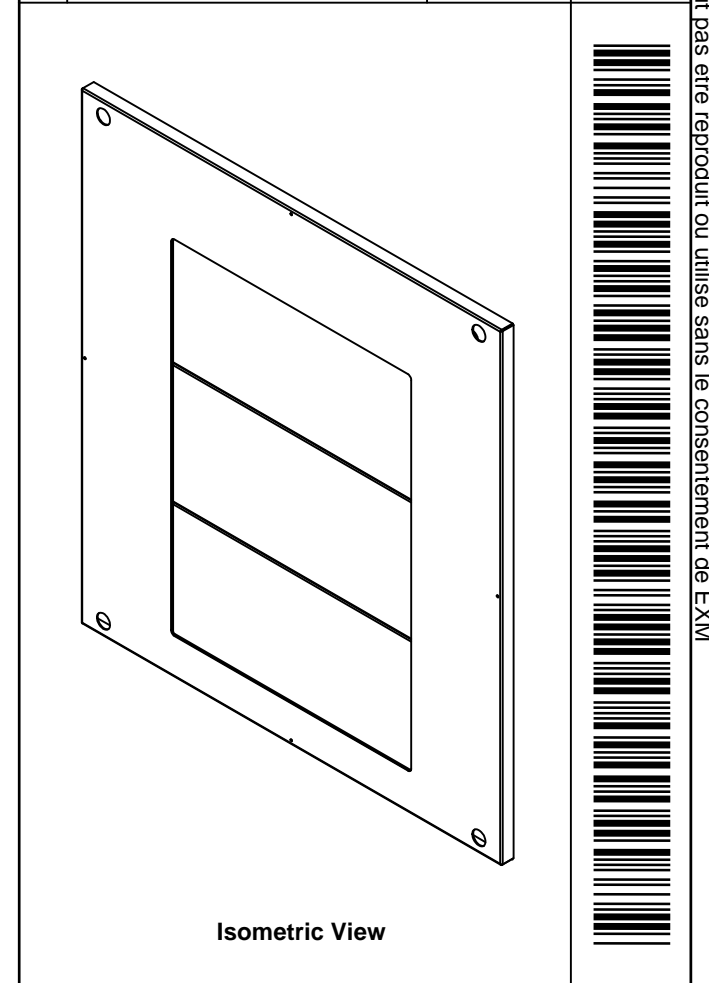


RIGHT


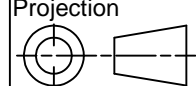


BOTTOM

No.	Revisions	Date	By/Par



Isometric View

 Tél: (450) 979-4373 Fax: (450) 979-4626 www.exmweb.com		Flatness Aplatissement Max 3.0mm Projection 	
Customer Client		Date	
Drawn By / Dessiné Par: BoxCad: Annie		Date: 24/02/2015	
Material / Matière: 16 Ga H.R.P. & O. (1.4mm)			
Color / Couleur: Iron Grey RAL7011		Finish / Fini: Rough Textured	
Description: 6500 MXB 700mm x 800mm Bottom		Detail Rev.	
Part Number / Numéro Pièce: 6500MXK220708BT		Rev. 0	1 / 3

SEE BILL OF MATERIAL ON LAST PAGE

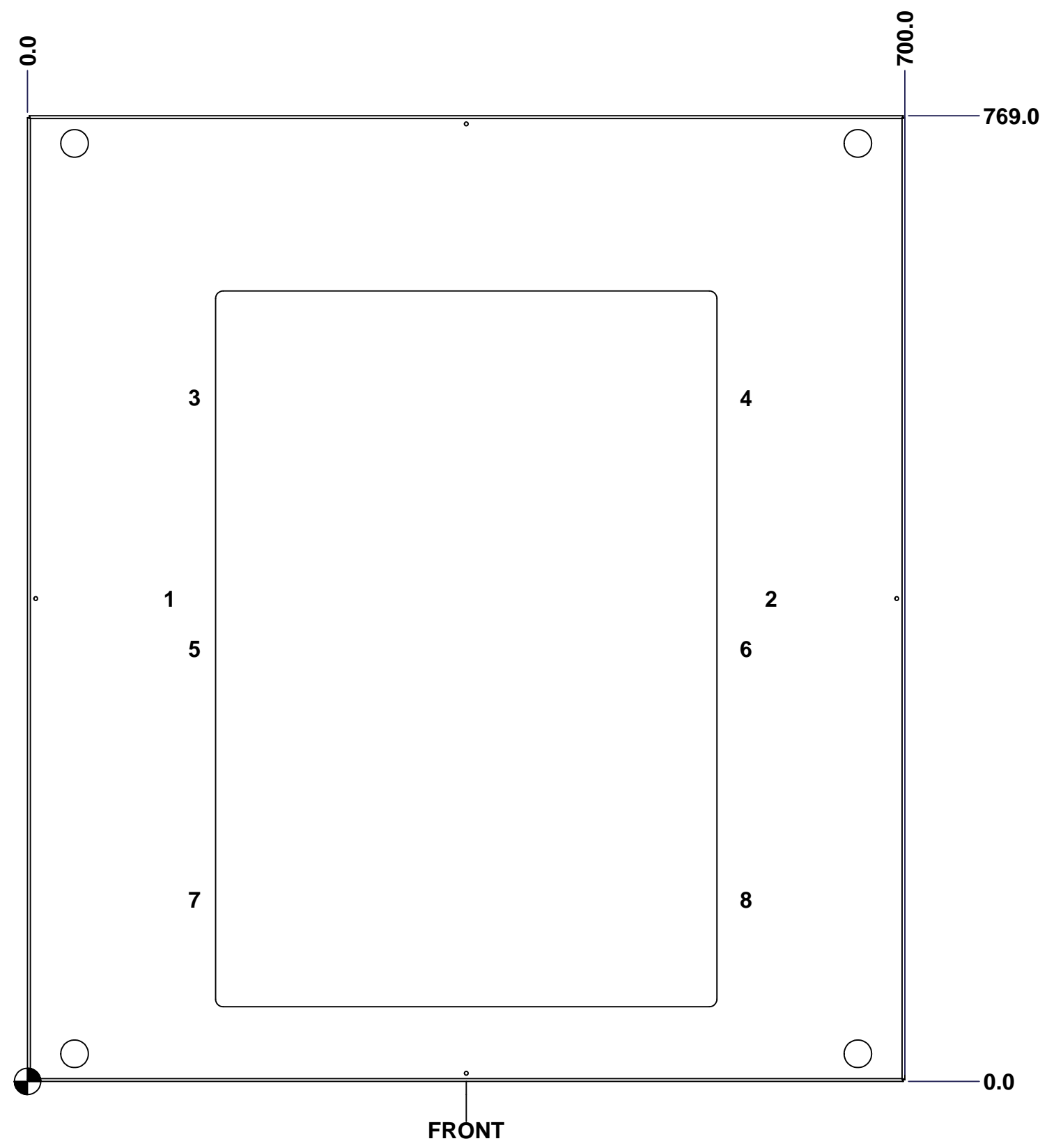
This drawing is confidential and must not be reproduced or used without the consent of EXM

Ce dessin est confidentiel et ne doit pas être reproduit ou utilisé sans le consentement de EXM

STANDARD FEATURES ARE NOT LISTED IN THIS HOLE TABLE

HOLE TABLE - FRONT VIEW (CUSTOM FEATURE ONLY)

CUT-OUT	XDIM	YDIM	DESCRIPTION
1	110.0	384.5	GND STUD M6 x 16mm (Inside)
2	590.0	384.5	GND STUD M6 x 16mm (Inside)
3	130.0	544.5	GP STUD M6 x 10mm (Inside)
4	570.0	544.5	GP STUD M6 x 10mm (Inside)
5	130.0	344.5	GP STUD M6 x 10mm (Inside)
6	570.0	344.5	GP STUD M6 x 10mm (Inside)
7	130.0	144.5	GP STUD M6 x 10mm (Inside)
8	570.0	144.5	GP STUD M6 x 10mm (Inside)

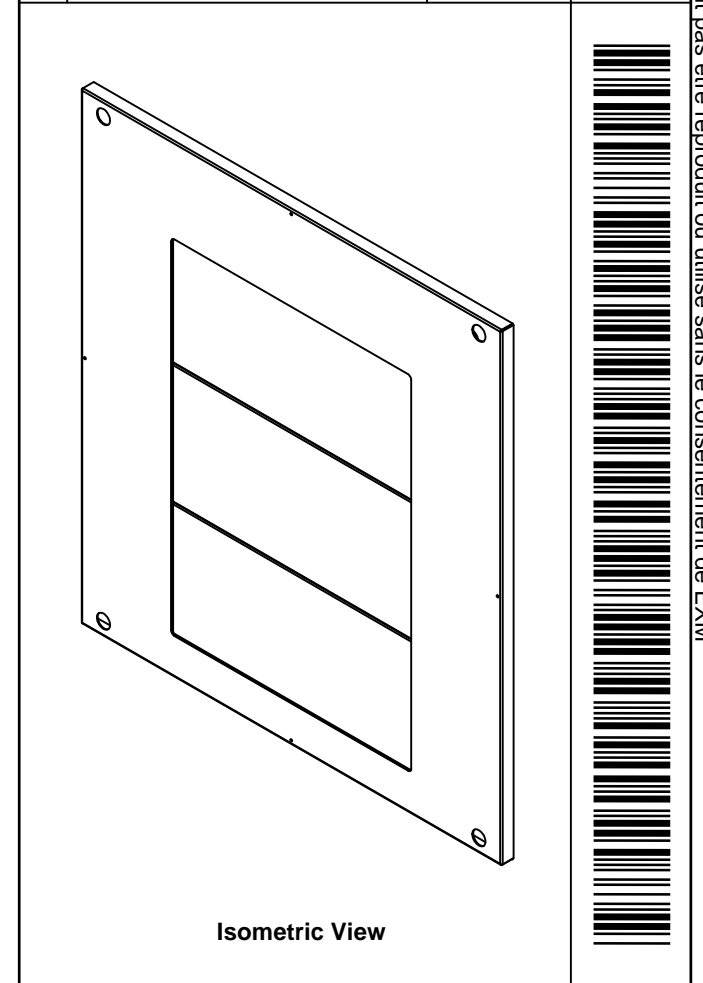


	Description	Status
	6500 MXB 700mm x 800mm Bottom	(NULL)
	Part Number Numéro Pièce	Rev.
	6500MXK220708BT	0
		2
		3

This drawing is confidential and must not be reproduced or used without the consent of EXM

Ce dessin est confidentiel et ne doit pas être reproduit ou utilisé sans le consentement de EXM

No.	Revisions	Date	By/Par

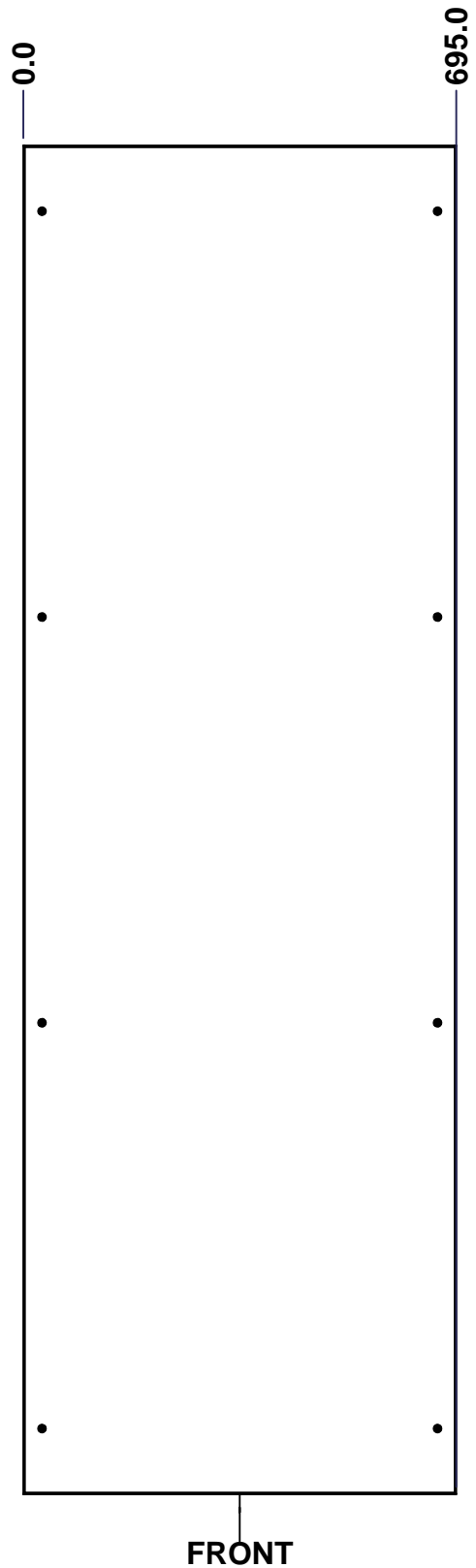
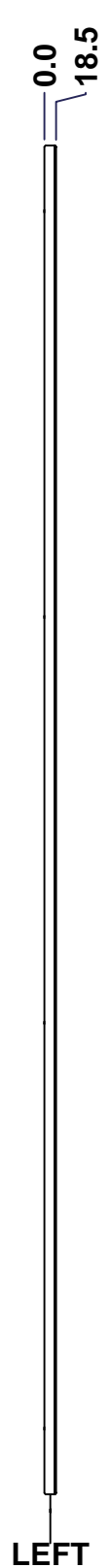
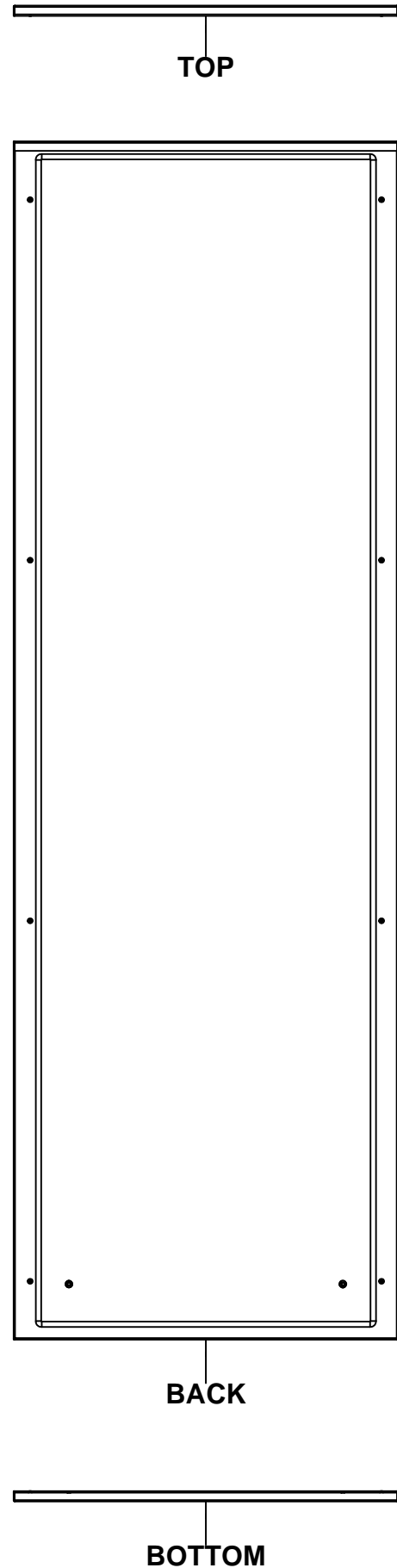


Tél: (450) 979-4373 Fax: (450) 979-4626 www.exmweb.com		Flatness Aplatissement Max 3.0mm Projection
Customer Client	Date	
Drawn By Dessiné Par	BoxCad: Annie	Date 24/02/2015
Material Matière	16 Ga H.R.P. & O. (1.4mm)	
Color Couleur	Iron Grey RAL7011	Finish Fini Rough Textured
Description	Detail Rev.	
6500 MXB 700mm x 800mm Bottom		
Part Number Numéro Pièce	Rev.	3
6500MXK220708BT		0

Qty	Part Number	Rev	Description
1	STK-P-03810R	0	Powder Paint (Iron Grey / Rough Textured)
6	STK-Q-06001	0	Mtrx - Gland Plate M6 Plastic Thumb Nut
2	STK-Q-16055	1	M6 x 18mm Stud (No Paint Cap Required)
3	6500MXK220708GP200-P	0	6500 MXB 700mm Gland Plate Part (200mm)
6	STK-Q-16031	0	M6 x 10mm Stud (No Paint Cap Required)
1	6500MXK220708BTGPG	0	6500 MXB 700mm x 800mm Bottom Gland Plate Gasket
1	6500MXK220708BTG	0	6500 MXB 700mm x 800mm Bottom Gasket
1	6500MXK220708BT-P	0	6500 MXB 700mm x 800mm Bottom Part
Parts List			

This drawing is confidential and must not be reproduced or used without the consent of EXM

Ce dessin est confidentiel et ne doit pas être reproduit ou utilisé sans le consentement de EXM



No.	Revisions	Date	By/Par

Isometric View

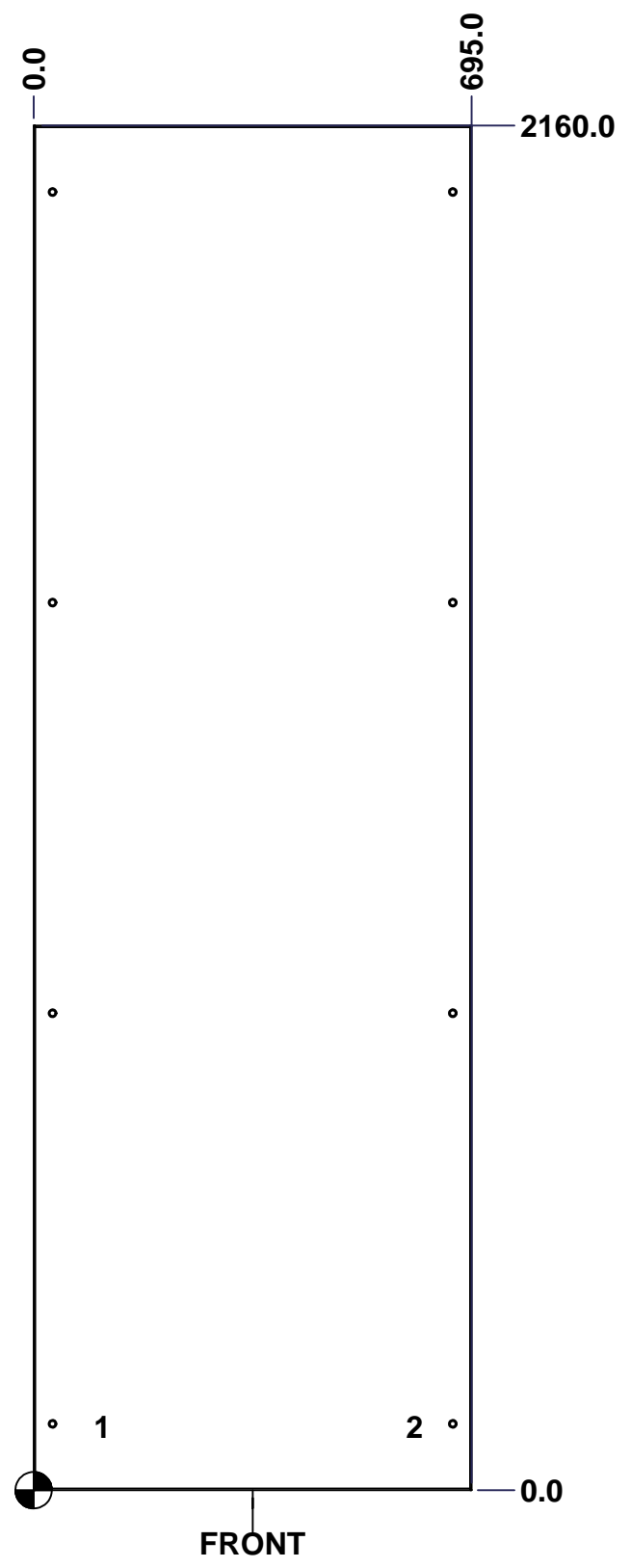
<p>Tél: (450) 979-4373 Fax: (450) 979-4626 www.exmweb.com</p>		Flatness Aplatissement	
		Max 3.0mm	
Customer Client		Projection	
Date			
Drawn By Dessiné Par		Date	
BoxCad: Annie		24/02/2015	
Material Matière		14 Ga H.R.P. & O. (1.7mm)	
Color Couleur		Finish Fin	
Light Grey RAL7035		Rough Textured	
Description		Detail Rev.	
6500 MXR 2200mm x 700mm Back			
Part Number Numéro Pièce		Rev.	
6500MXK220708B		0	1 3

SEE BILL OF MATERIAL ON LAST PAGE

This drawing is confidential and must not be reproduced or used without the consent of EXM

Ce dessin est confidentiel et ne doit pas être reproduit ou utilisé sans le consentement de EXM

STANDARD FEATURES ARE NOT LISTED IN THIS HOLE TABLE			
HOLE TABLE - FRONT VIEW (CUSTOM FEATURE ONLY)			
CUT-OUT	XDIM	YDIM	DESCRIPTION
1	100.0	100.0	GND STUD M6 x 16mm (Inside)
2	595.0	100.0	GND STUD M6 x 16mm (Inside)

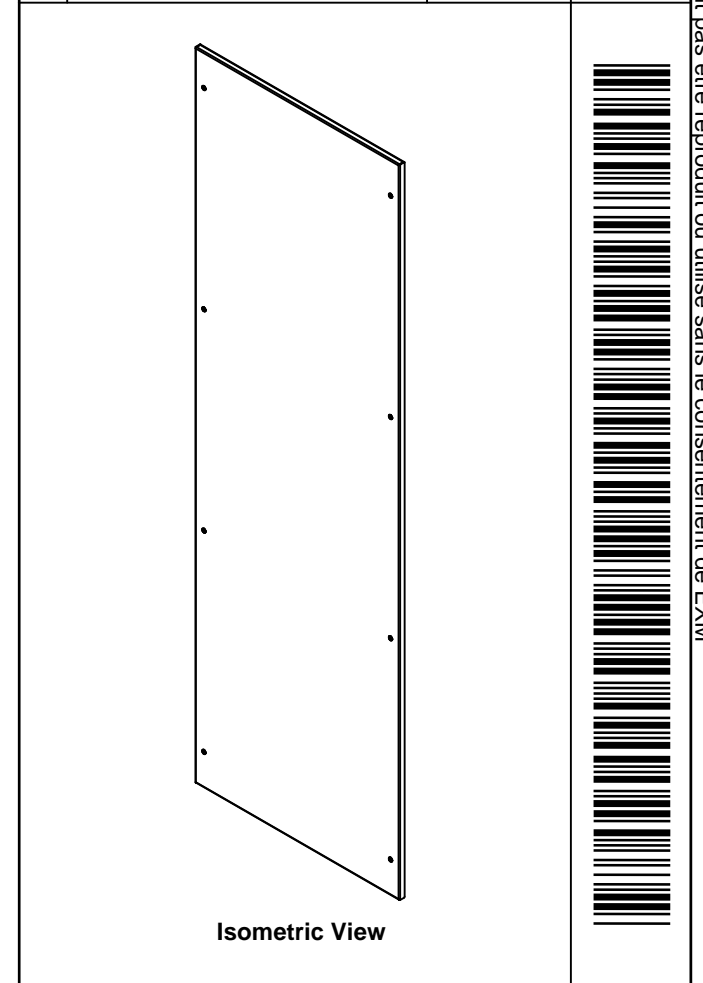


	Description 6500 MXR 2200mm x 700mm Back	Status (NULL)
	Part Number Numéro Pièce 6500MXK220708B	Rev. 2 0 / 3

This drawing is confidential and must not be reproduced or used without the consent of EXM

Ce dessin est confidentiel et ne doit pas être reproduit ou utilisé sans le consentement de EXM

No.	Revisions	Date	By/Par

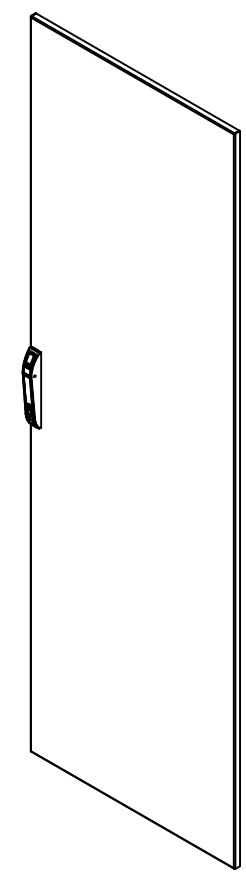
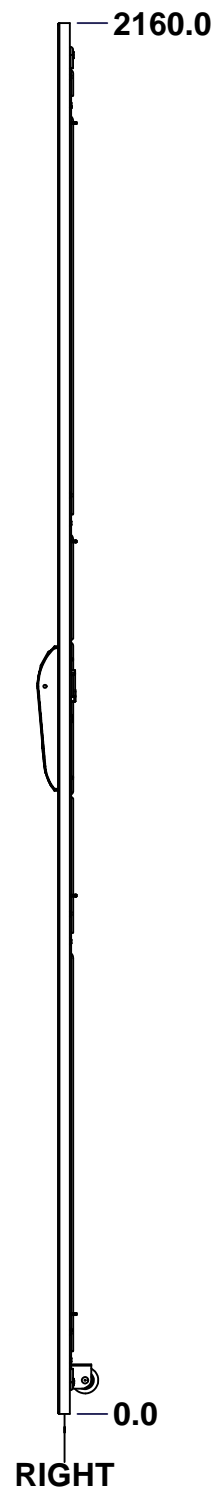
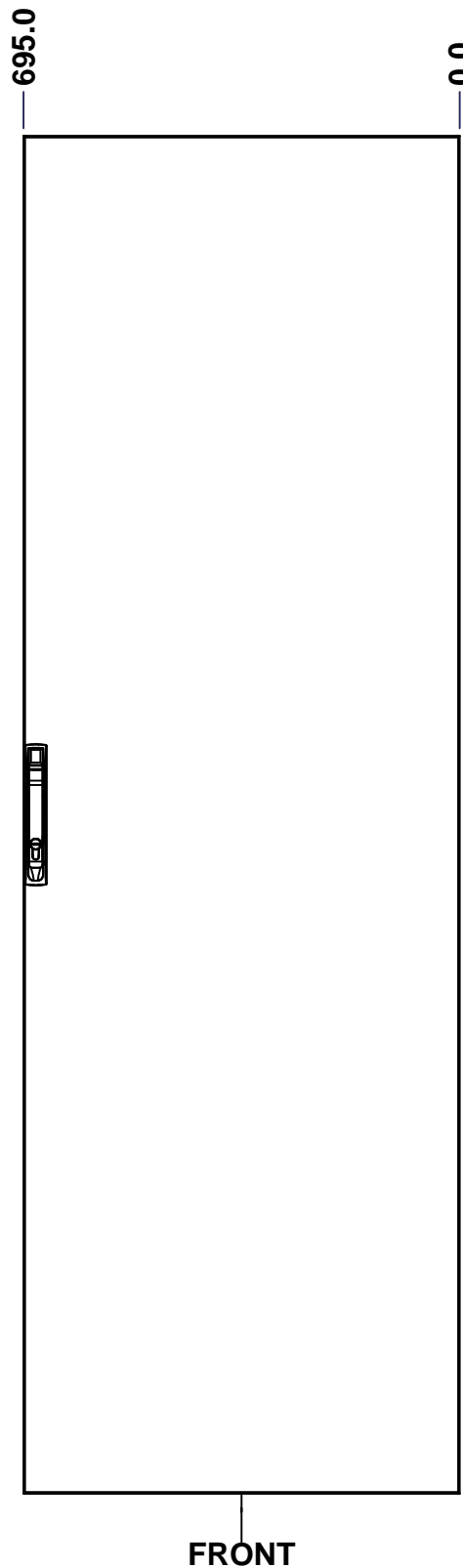
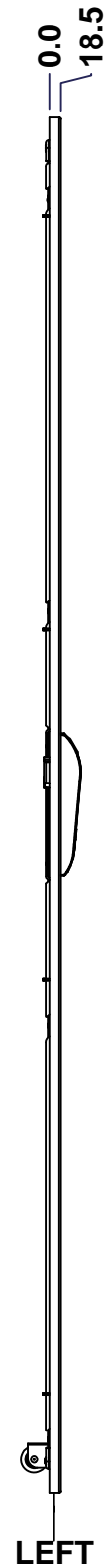
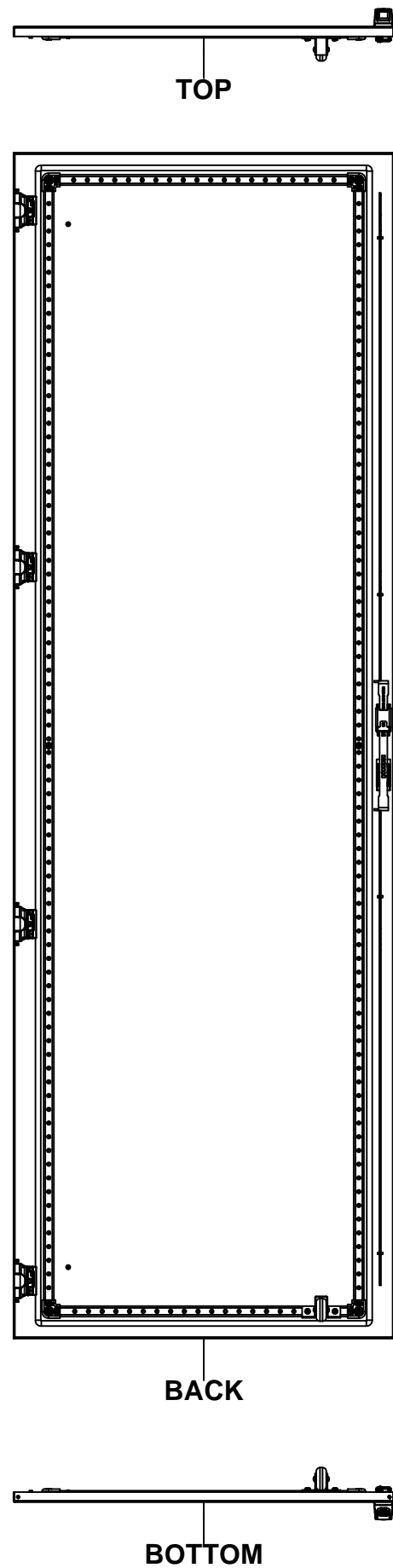


Tél: (450) 979-4373 Fax: (450) 979-4626 www.exmweb.com		Flatness Aplatissement Max 3.0mm	
		Projection 	
Customer Client		Date	
Drawn By Dessiné Par BoxCad: Annie		Date 24/02/2015	
Material Matière 14 Ga H.R.P. & O. (1.7mm)			
Color Couleur Light Grey RAL7035		Finish Fini Rough Textured	
Description 6500 MXR 2200mm x 700mm Back			Detail Rev.
Part Number Numéro Pièce 6500MXK220708B			Rev. 3

Qty	Part Number	Rev	Description
1	STK-P-03820R	0	Powder Paint (Light Grey / Rough Textured)
8	STK-Q-03072	2	M6 x 17mm Phillips Flat Head Screw
2	STK-Q-16080	0.1.1	M6 x 16mm Ground Stud
1	6500MXK220708BG	0	6500 MXR 2200mm x 700mm Back Gasket
1	6500MXK220708B-P	0	6500 MXR 2200mm x 700mm Back Part
Parts List			

This drawing is confidential and must not be reproduced or used without the consent of EXM


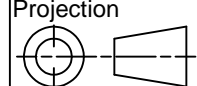
Ce dessin est confidentiel et ne doit pas être reproduit ou utilisé sans le consentement de EXM



Isometric View



No.	Revisions	Date	By/Par

 Tél: (450) 979-4373 Fax: (450) 979-4626 www.exmweb.com		Flatness Aplatissement Max 3.0mm Projection 
Customer Client	Date	
Drawn By Dessiné Par	BoxCad: Annie	Date 24/02/2015
Material Matière	14 Ga H.R.P. & O. (1.7mm)	
Color Couleur	Light Grey RAL7035	Finish Fin Rough Textured
Description	Detail Rev.	
6500 MXD 2200mm x 700mm Front		
Part Number Numéro Pièce	Rev.	1
6500MXK220708F	0	3

SEE BILL OF MATERIAL ON LAST PAGE

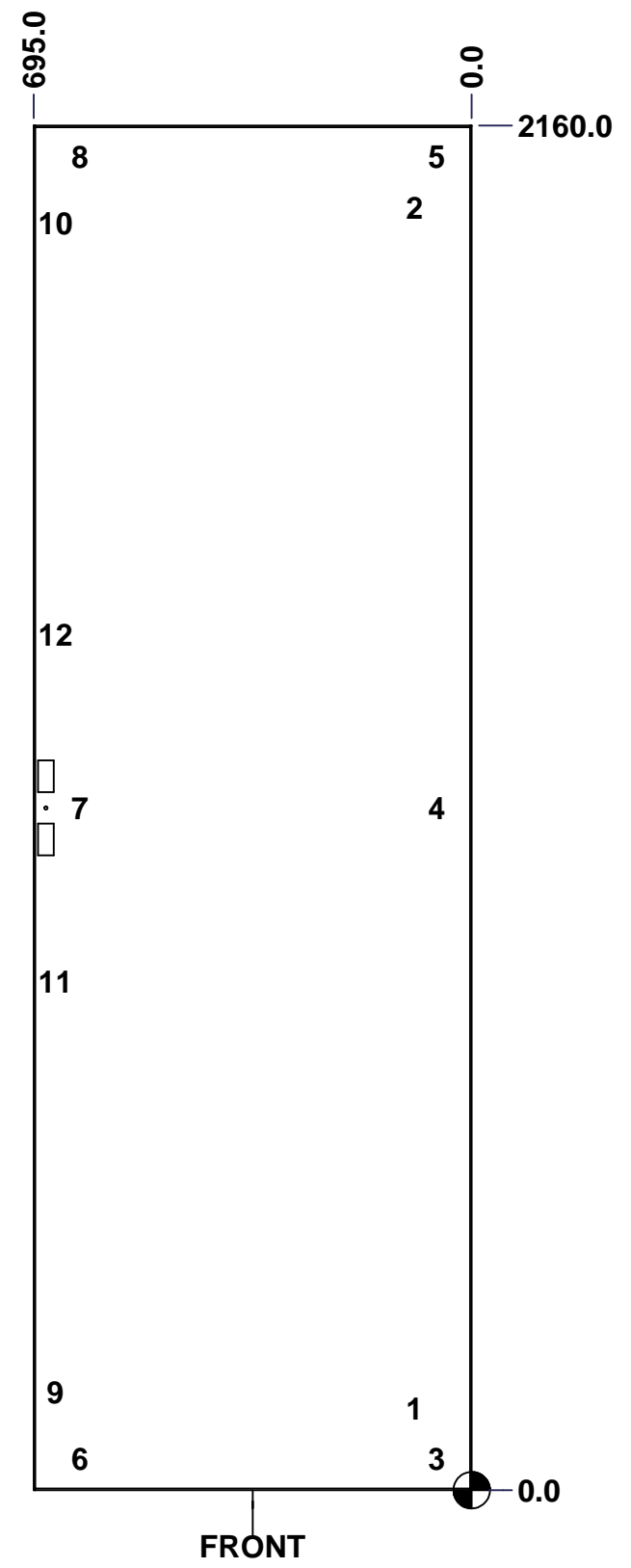
This drawing is confidential and must not be reproduced or used without the consent of EXM

Ce dessin est confidentiel et ne doit pas être reproduit ou utilisé sans le consentement de EXM

STANDARD FEATURES ARE NOT LISTED IN THIS HOLE TABLE

HOLE TABLE - FRONT VIEW (CUSTOM FEATURE ONLY)

CUT-OUT	XDIM	YDIM	DESCRIPTION
1	100.0	130.0	GND STUD M6 x 16mm (Inside)
2	100.0	2030.0	GND STUD M6 x 16mm (Inside)
3	64.5	49.5	STIFF. STUD M6 x 18mm (Inside)
4	64.5	1080.0	STIFF. STUD M6 x 18mm (Inside)
5	64.5	2110.5	STIFF. STUD M6 x 18mm (Inside)
6	630.5	49.5	STIFF. STUD M6 x 18mm (Inside)
7	630.5	1080.0	STIFF. STUD M6 x 18mm (Inside)
8	630.5	2110.5	STIFF. STUD M6 x 18mm (Inside)
9	669.5	155.0	CLOSING BAR GUIDE (Inside)
10	669.5	2005.0	CLOSING BAR GUIDE (Inside)
11	669.5	805.0	CLOSING BAR GUIDE (Inside)
12	669.5	1355.0	CLOSING BAR GUIDE (Inside)

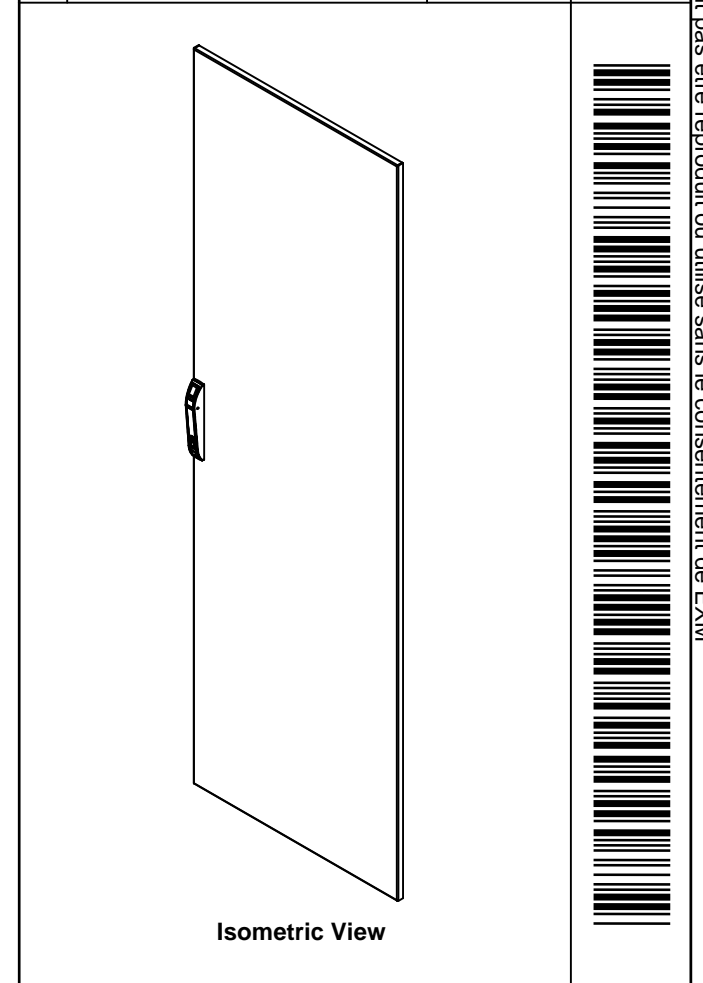


	Description	Status
	6500 MXD 2200mm x 700mm Front	(NULL)
	Part Number	Rev.
	Numéro Pièce	2
	6500MXK220708F	0
		3


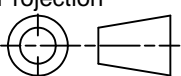
This drawing is confidential and must not be reproduced or used without the consent of EXM

Ce dessin est confidentiel et ne doit pas être reproduit ou utilisé sans le consentement de EXM

No.	Revisions	Date	By/Par



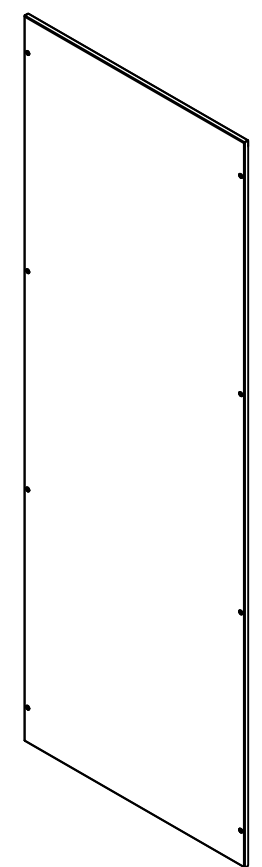
1	STK-P-03820R	0	Powder Paint (Light Grey / Rough Textured)
1	6500MXSRK	1	6500 MXRSK Door Support Roller
4	STK-Q-78022	0	Mtrx Closing Bar Slider
1	STK-Q-45746-22	1	6500 MXD - Lock Door Closing Bar
4	STK-Q-33105	4	5412 ESBU Buttable Hinge (Cover Part)
1	STK-Q-45729-22	2	6500 MXD - Lock Door Top Closing Bar
1	886PHD-S	4	Euroform Pull Handle Kit
8	STK-Q-16055	1	M6 x 18mm Stud (No Paint Cap Required)
1	6500MXK220708DS1	5	6500 MX 2200mm x 700mm Door Stiffener
1	6500MXK220708FG	0	6500 MXD 2200mm x 700mm Front Gasket
1	6500MXK220708F-P	0	6500 MXD 2200mm x 700mm Front Part
4	STK-K-06811	1	6500 MX - Hinge Assy
Qty	Part Number	Rev	Description
Parts List			

 Tél: (450) 979-4373 Fax: (450) 979-4626 www.exmweb.com		Flatness Aplatissement Max 3.0mm Projection 
Customer Client	Date	Date
Drawn By Dessiné Par	BoxCad: Annie	Date 24/02/2015
Material Matière	14 Ga H.R.P. & O. (1.7mm)	
Color Couleur	Light Grey RAL7035	Finish Fin Rough Textured
Description	Detail Rev.	
6500 MXD 2200mm x 700mm Front		
Part Number Numéro Pièce	Rev.	3
6500MXK220708F	0	3

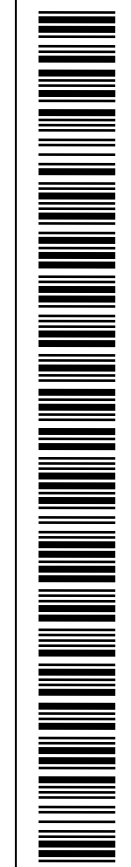
This drawing is confidential and must not be reproduced or used without the consent of EXM


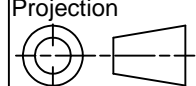
Ce dessin est confidentiel et ne doit pas être reproduit ou utilisé sans le consentement de EXM

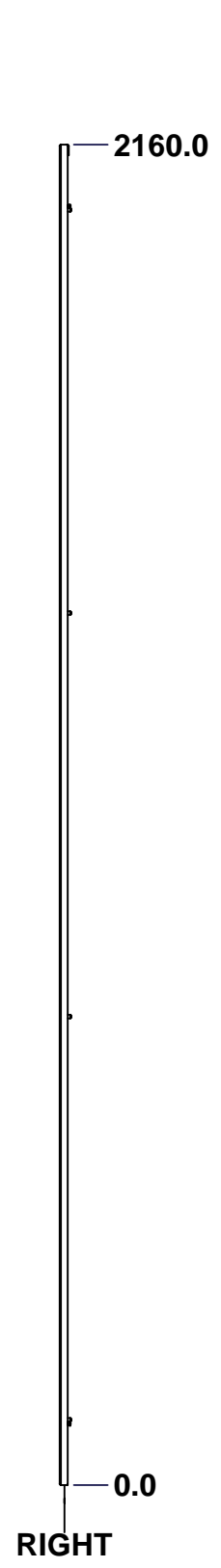
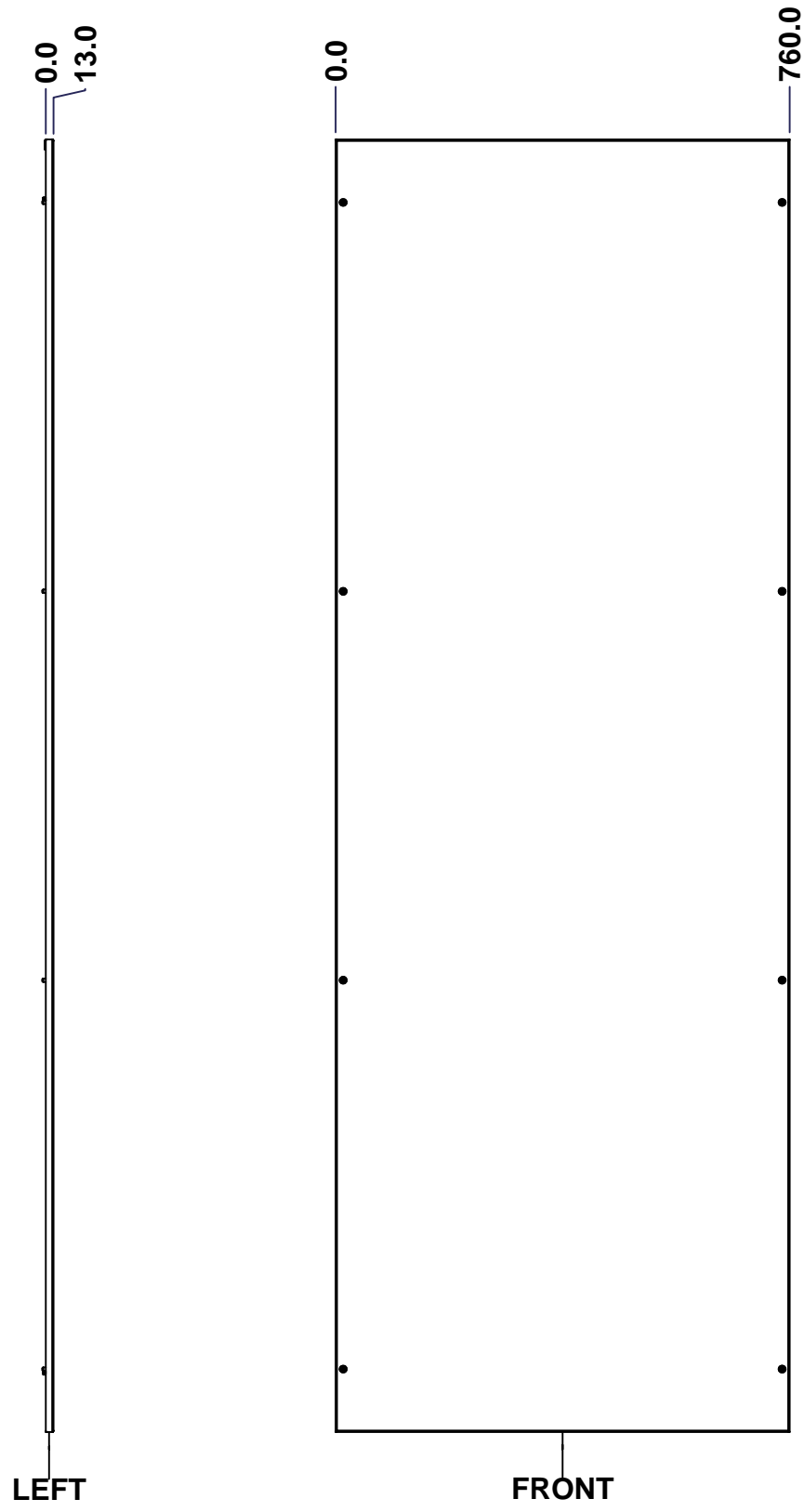
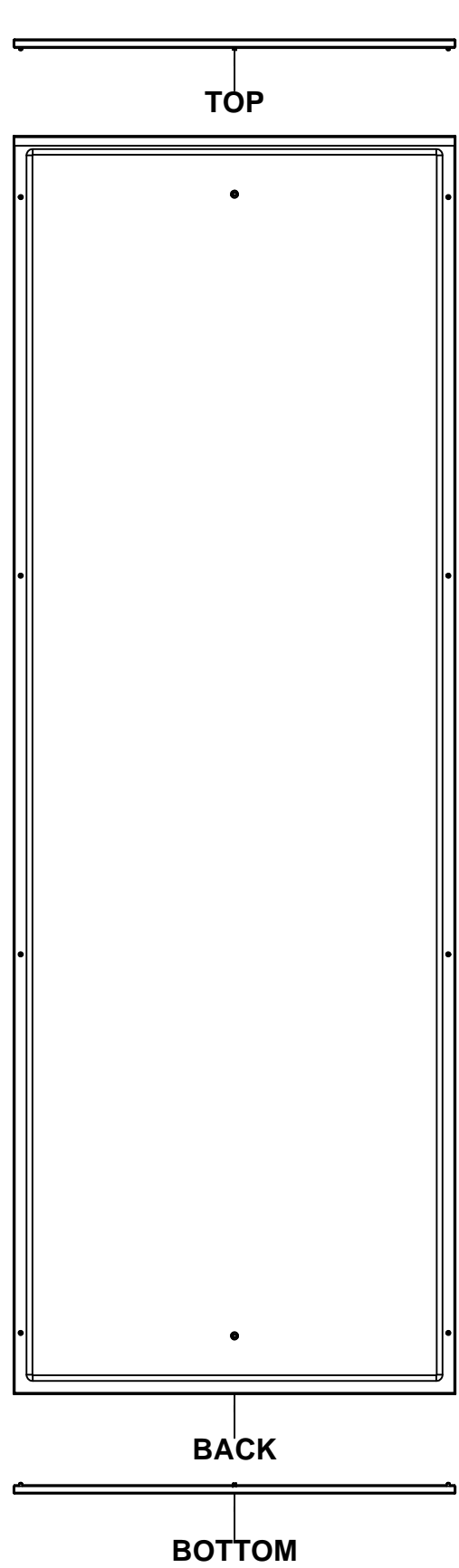
No.	Revisions	Date	By/Par



Isometric View



		Flatness Aplatissement Max 3.0mm Projection 	
Tél: (450) 979-4373 Fax: (450) 979-4626 www.exmweb.com		Customer Client Date	
Drawn By Dessiné Par: BoxCad: Annie		Date: 24/02/2015	
Material Matière: 16 Ga H.R.P. & O. (1.4mm)		Color Couleur: Light Grey RAL7035	
Finish Fin: Rough Textured		Description 6500 MXC 2200mm x 800mm Left	
Part Number Numéro Pièce: 6500MXK220708L		Detail Rev. Rev. 1 0	

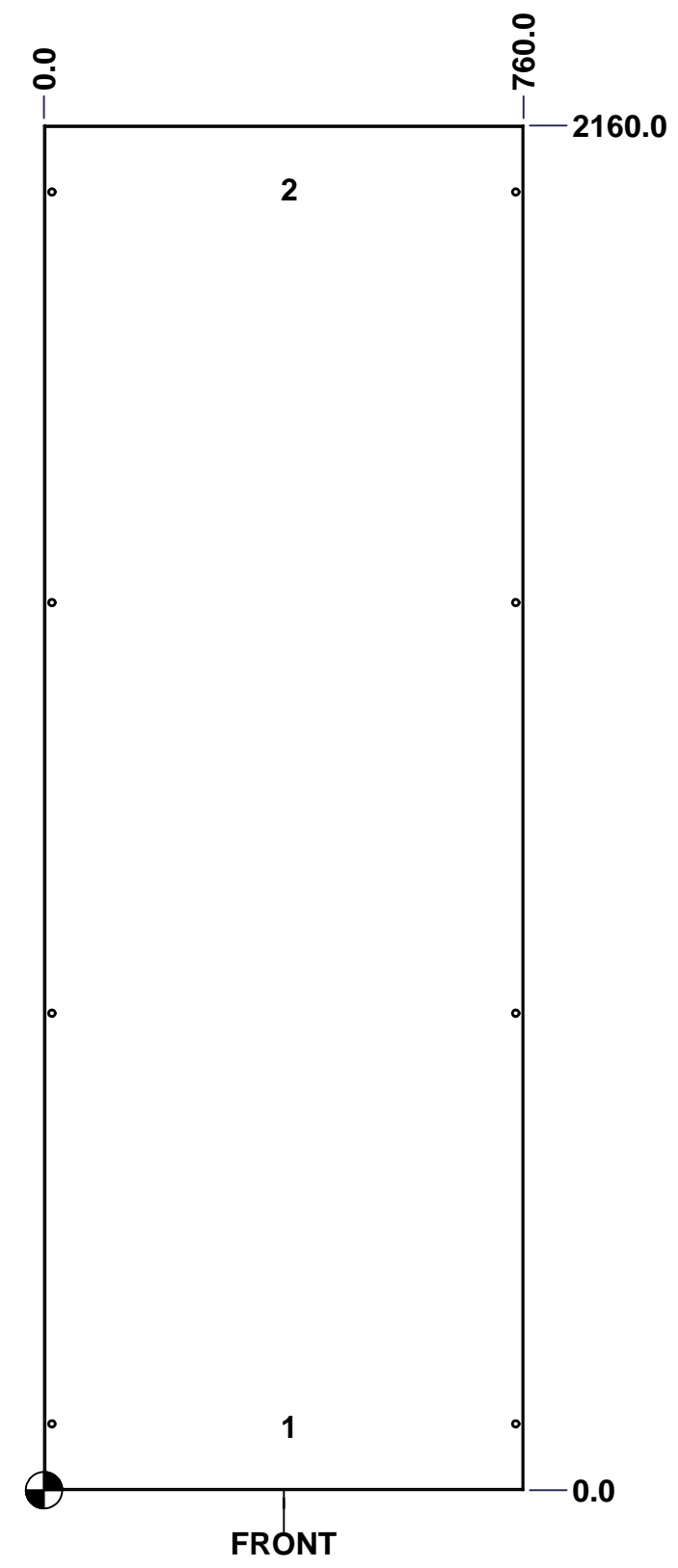


SEE BILL OF MATERIAL ON LAST PAGE

This drawing is confidential and must not be reproduced or used without the consent of EXM

Ce dessin est confidentiel et ne doit pas être reproduit ou utilisé sans le consentement de EXM

STANDARD FEATURES ARE NOT LISTED IN THIS HOLE TABLE			
HOLE TABLE - FRONT VIEW (CUSTOM FEATURE ONLY)			
CUT-OUT	XDIM	YDIM	DESCRIPTION
1	380.0	100.0	GND STUD M6 x 16mm (Inside)
2	380.0	2060.0	GND STUD M6 x 16mm (Inside)

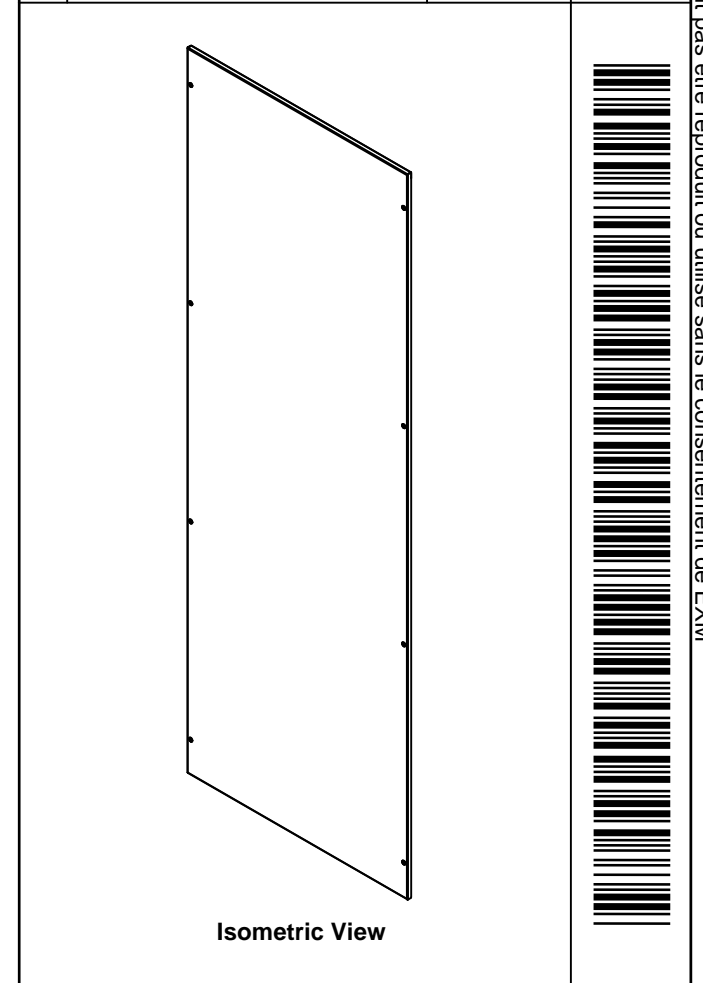



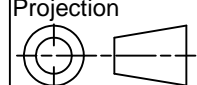
	Description	Status
	6500 MXC 2200mm x 800mm Left	(NULL)
	Part Number Numéro Pièce	Rev.
	6500MXK220708L	0
		2
		3

This drawing is confidential and must not be reproduced or used without the consent of EXM

Ce dessin est confidentiel et ne doit pas être reproduit ou utilisé sans le consentement de EXM

No.	Revisions	Date	By/Par



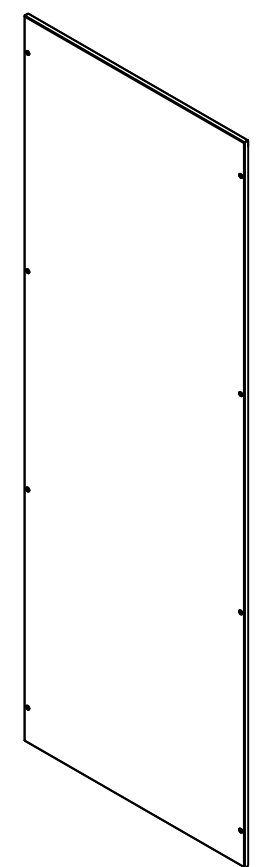
 Tél: (450) 979-4373 Fax: (450) 979-4626 www.exmweb.com		Flatness Aplatissement Max 3.0mm Projection 
Customer Client	Date	
Drawn By Dessiné Par	BoxCad: Annie	Date 24/02/2015
Material Matière 16 Ga H.R.P. & O. (1.4mm)		
Color Couleur	Light Grey RAL7035	Finish Fini Rough Textured
Description 6500 MXC 2200mm x 800mm Left		Detail Rev.
Part Number Numéro Pièce 6500MXK220708L		Rev. 3 0

Qty	Part Number	Rev	Description
1	STK-P-03820R	0	Powder Paint (Light Grey / Rough Textured)
8	STK-Q-03072	2	M6 x 17mm Phillips Flat Head Screw
2	STK-Q-16080	0.1.1	M6 x 16mm Ground Stud
1	6500MXK220708LG	0	6500 MXC 2200mm x 800mm Left Gasket
1	6500MXK220708L-P	0	6500 MXC 2200mm x 800mm Left Part
Parts List			

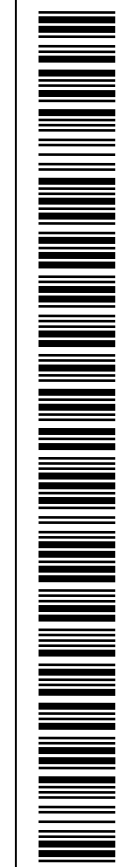
This drawing is confidential and must not be reproduced or used without the consent of EXM


Ce dessin est confidentiel et ne doit pas être reproduit ou utilisé sans le consentement de EXM

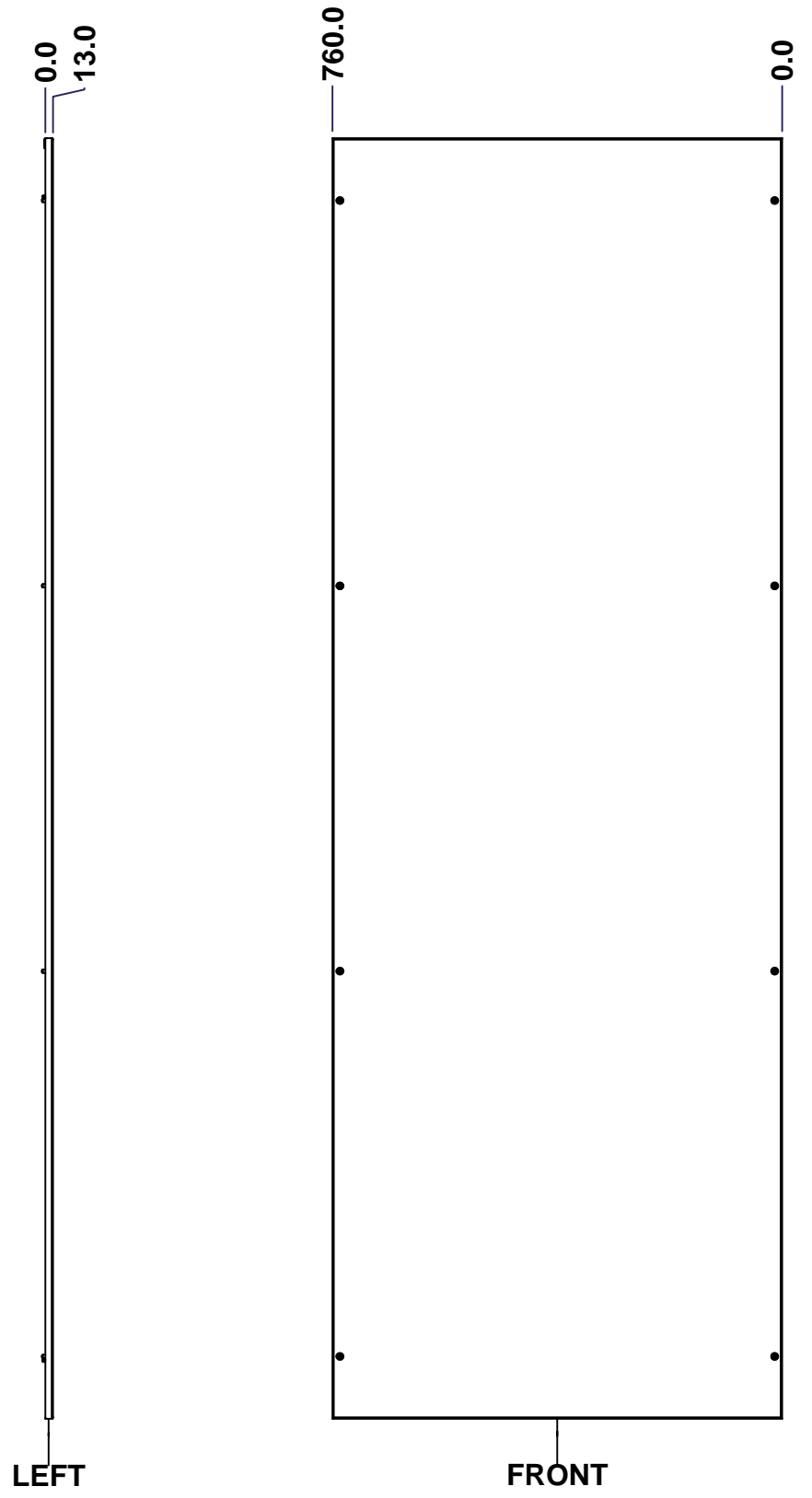
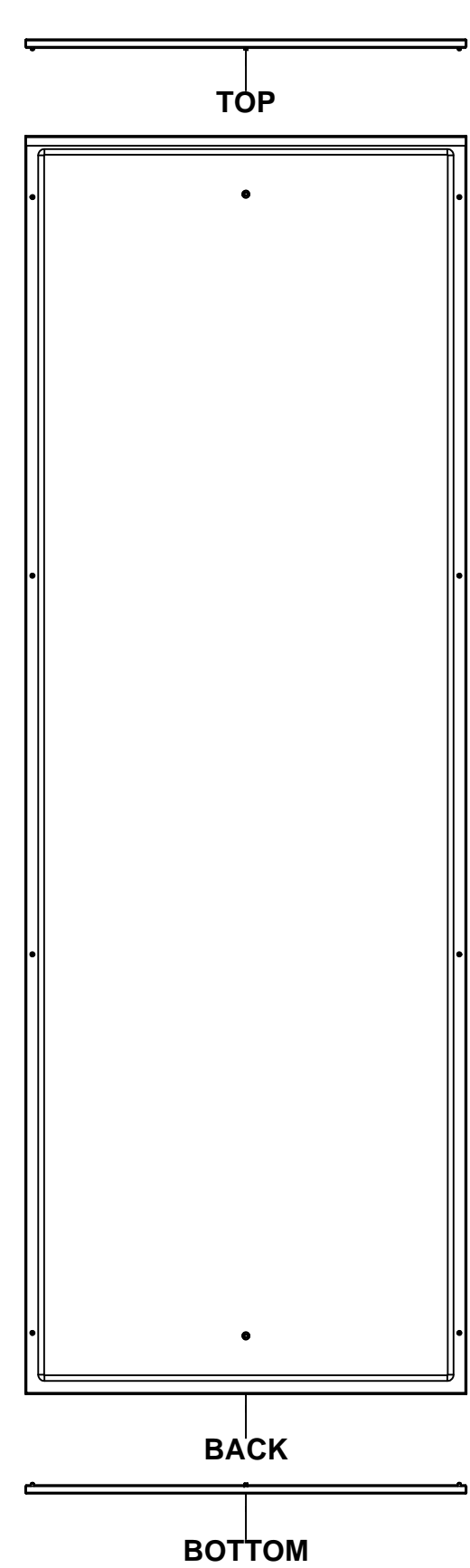
No.	Revisions	Date	By/Par



Isometric View



		Flatness Aplatissement Max 3.0mm Projection	
Tél: (450) 979-4373 Fax: (450) 979-4626 www.exmweb.com		Customer Client Date	
Drawn By Dessiné Par BoxCad: Annie		Date 24/02/2015	
Material Matière 16 Ga H.R.P. & O. (1.4mm)		Color Couleur Light Grey RAL7035	
Description 6500 MXC 2200mm x 800mm Right		Finish Fini Rough Textured	
Part Number Numéro Pièce 6500MXK220708R		Detail Rev. Rev. 1 0	

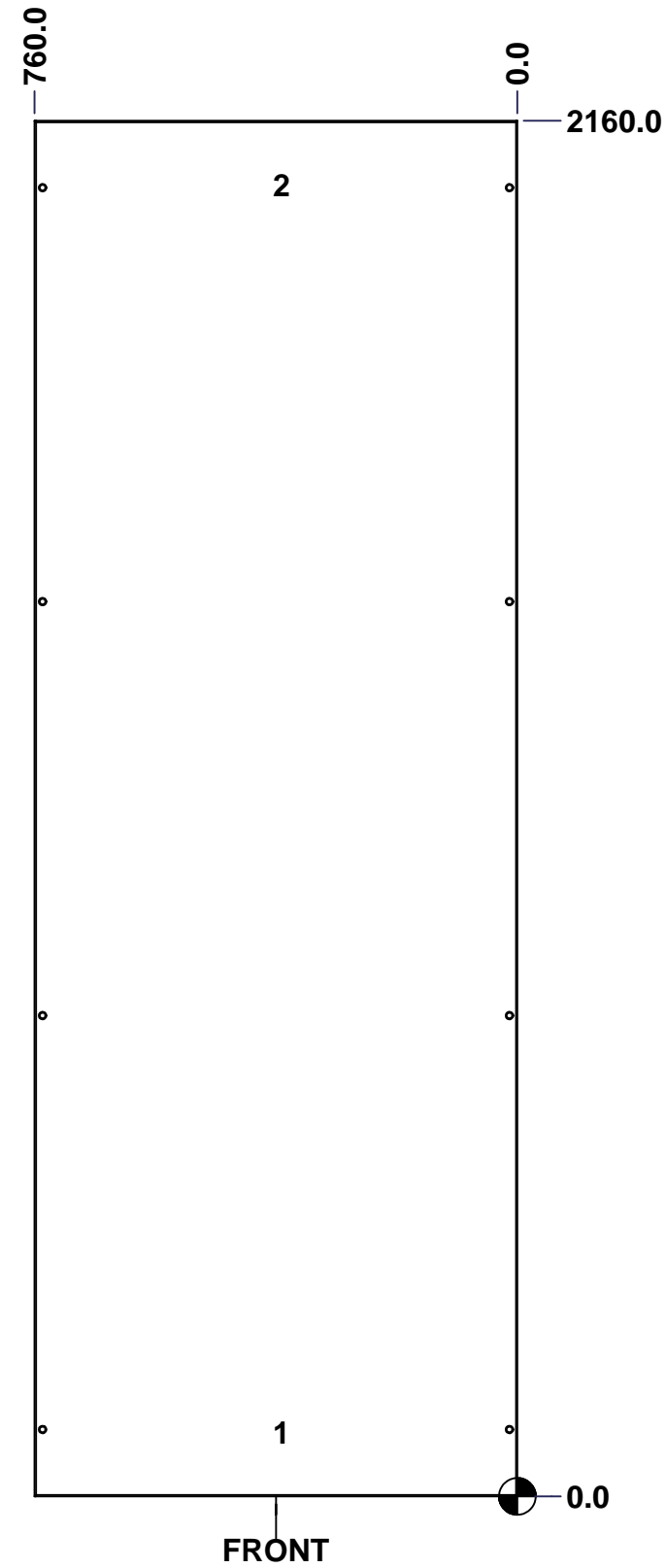


SEE BILL OF MATERIAL ON LAST PAGE

This drawing is confidential and must not be reproduced or used without the consent of EXM

Ce dessin est confidentiel et ne doit pas être reproduit ou utilisé sans le consentement de EXM

STANDARD FEATURES ARE NOT LISTED IN THIS HOLE TABLE			
HOLE TABLE - FRONT VIEW (CUSTOM FEATURE ONLY)			
CUT-OUT	XDIM	YDIM	DESCRIPTION
1	380.0	100.0	GND STUD M6 x 16mm (Inside)
2	380.0	2060.0	GND STUD M6 x 16mm (Inside)

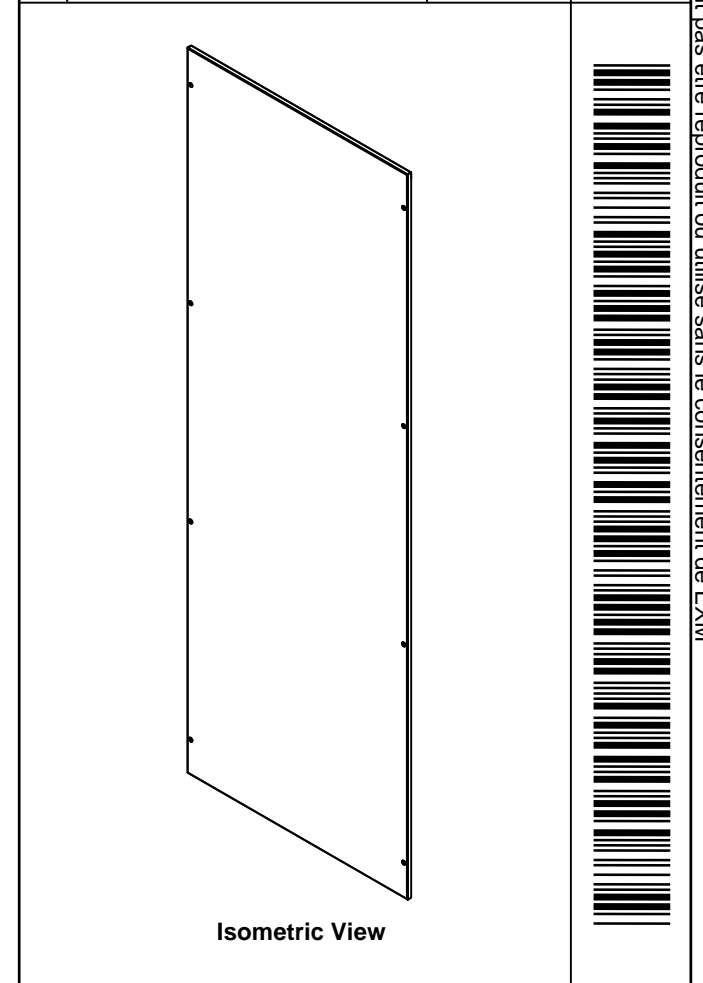



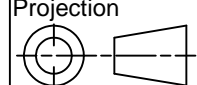
	Description	Status	
	6500 MXC 2200mm x 800mm Right	(NULL)	
	Part Number Numéro Pièce	Rev.	
	6500MXK220708R	0	2 / 3

This drawing is confidential and must not be reproduced or used without the consent of EXM

Ce dessin est confidentiel et ne doit pas être reproduit ou utilisé sans le consentement de EXM

No.	Revisions	Date	By/Par

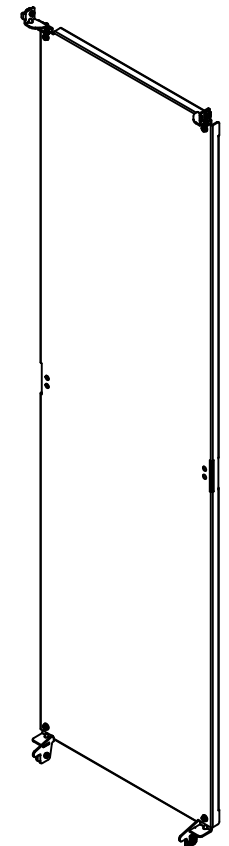
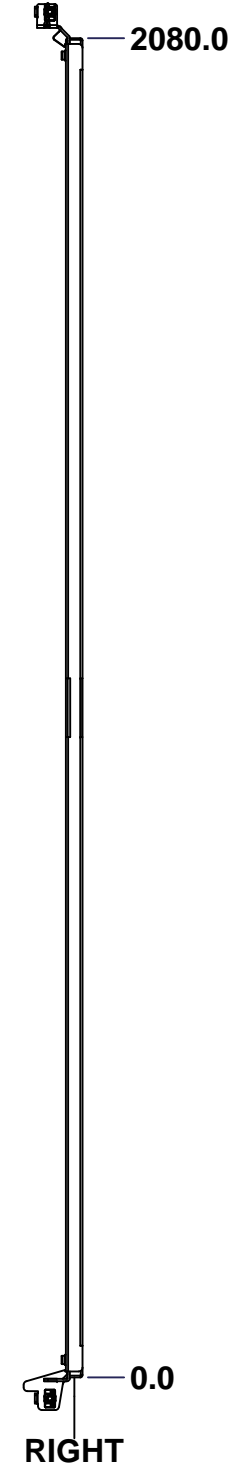
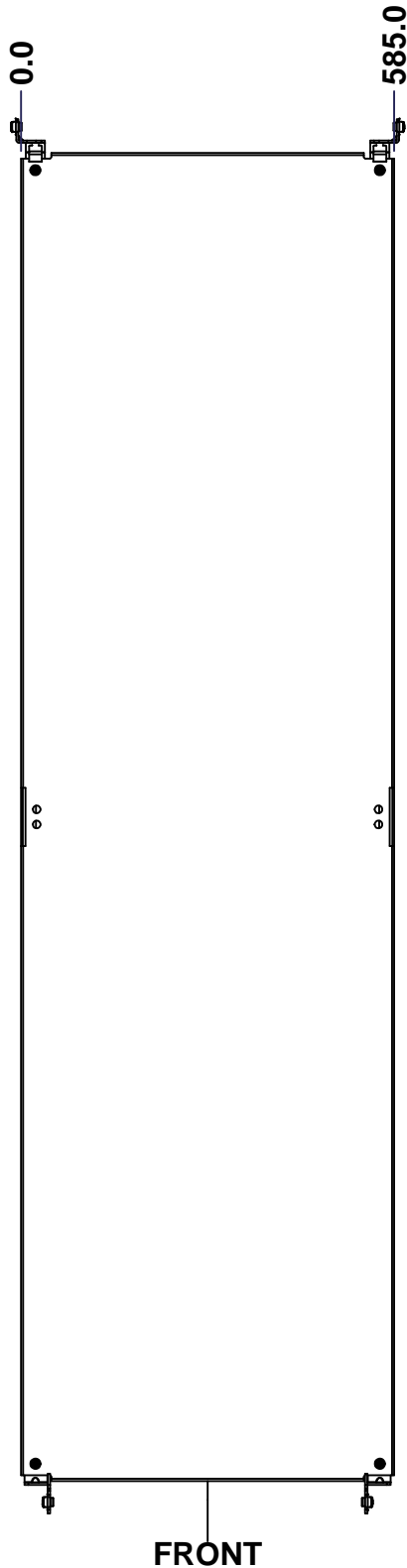
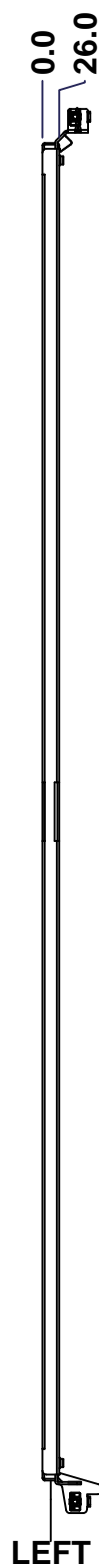
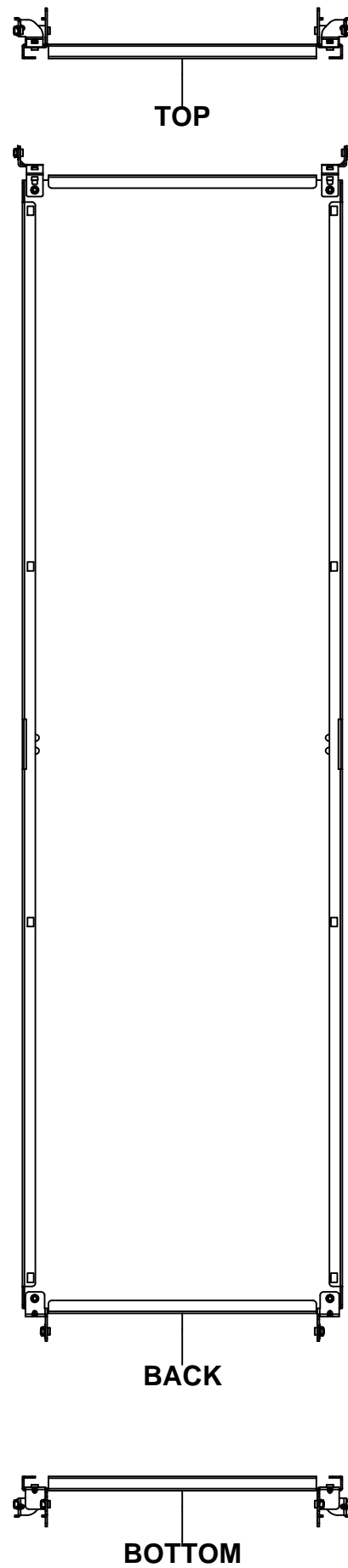


 Tél: (450) 979-4373 Fax: (450) 979-4626 www.exmweb.com		Flatness Aplatissement Max 3.0mm Projection 
Customer Client	Date	
Drawn By Dessiné Par	BoxCad: Annie	Date 24/02/2015
Material Matière 16 Ga H.R.P. & O. (1.4mm)		
Color Couleur	Light Grey RAL7035	Finish Fini Rough Textured
Description 6500 MXC 2200mm x 800mm Right		Detail Rev.
Part Number Numéro Pièce 6500MXK220708R		Rev. 3 0

Qty	Part Number	Rev	Description
1	STK-P-03820R	0	Powder Paint (Light Grey / Rough Textured)
8	STK-Q-03072	2	M6 x 17mm Phillips Flat Head Screw
2	STK-Q-16080	0.1.1	M6 x 16mm Ground Stud
1	6500MXK220708RG	0	6500 MXC 2200mm x 800mm Right Gasket
1	6500MXK220708R-P	0	6500 MXC 2200mm x 800mm Right Part
Parts List			

This drawing is confidential and must not be reproduced or used without the consent of EXM


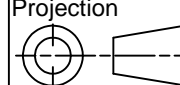
Ce dessin est confidentiel et ne doit pas être reproduit ou utilisé sans le consentement de EXM



Isometric View



No.	Revisions	Date	By/Par

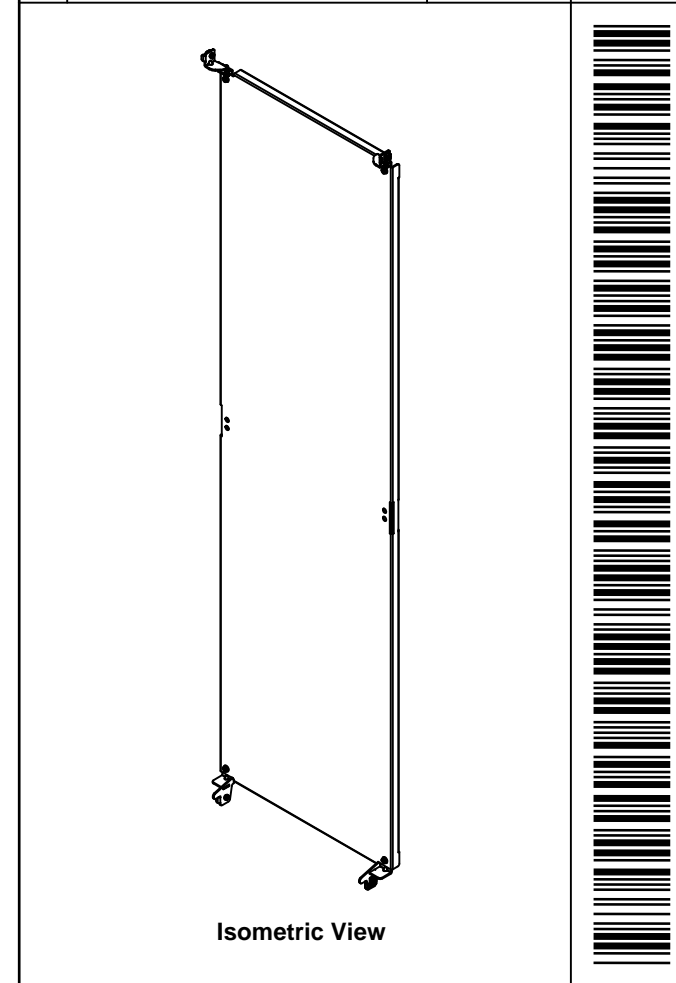
 Tél: (450) 979-4373 Fax: (450) 979-4626 www.exmweb.com		Flatness Aplatissement Max 3.0mm Projection 
Customer Client	Date	
Drawn By Dessiné Par	BoxCad: Annie	Date 24/02/2015
Material Matière	12 Ga Galvanized (2.5mm)	
Color Couleur	Unpainted	Finish Finis Unpainted
Description	Detail Rev.	
6500 MXM 2200mm x 700mm Back Inner Panel		
Part Number Numéro Pièce	Rev.	
6500MXK220708BIP	0	1 / 3


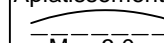
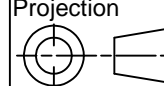
SEE BILL OF MATERIAL ON LAST PAGE

This drawing is confidential and must not be reproduced or used without the consent of EXM

Ce dessin est confidentiel et ne doit pas être reproduit ou utilisé sans le consentement de EXM

No.	Revisions	Date	By/Par



 Tél: (450) 979-4373 Fax: (450) 979-4626 www.exmweb.com		Flatness Aplatissement  Max 3.0mm Projection 
Customer Client	Date	
Drawn By Dessiné Par	BoxCad: Annie	Date 24/02/2015
Material Matière 12 Ga Galvanized (2.5mm)		
Color Couleur	Unpainted	Finish Fini Unpainted
Description 6500 MXM 2200mm x 700mm Back Inner Panel		Detail Rev.
Part Number Numéro Pièce	6500MXK220708BIP	Rev. 3
		0
		3

Qty	Part Number	Rev	Description
1	STK-A-49005	0	6500MXM - Bottom Inner Panel Support Kit (Right)
1	STK-A-49000	0	6500MXM - Bottom Inner Panel Support Kit (Left)
1	STK-A-49015	0	6500MXM - Top Inner Panel Support Kit (Right)
1	STK-A-49010	0	6500MXM - Top Inner Panel Support Kit (Left)
1	6500MXK220708BIP-P	0	6500 MXM 2200mm x 700mm Back Inner Panel Part
Parts List			