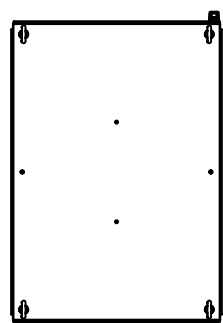
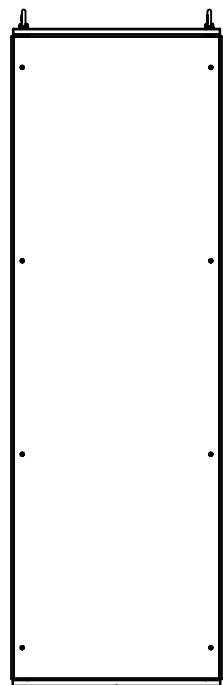


This drawing is confidential and must not be reproduced or used without the consent of EXM

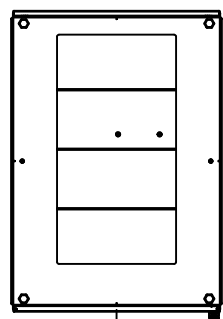
Ce dessin est confidentiel et ne doit pas être reproduit ou utilisé sans le consentement de EXM



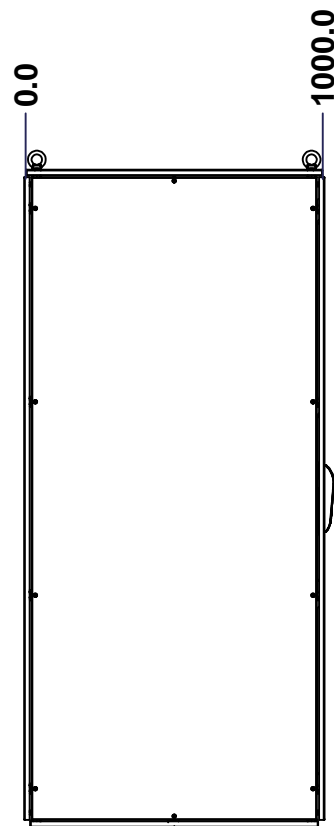
TOP



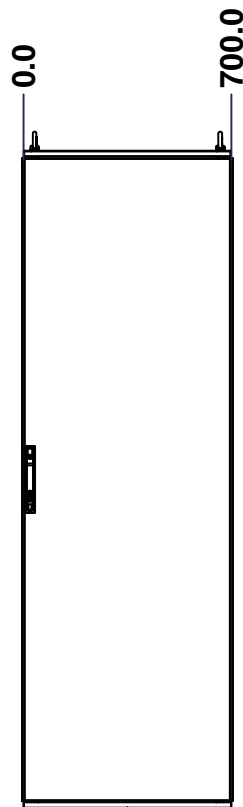
BACK



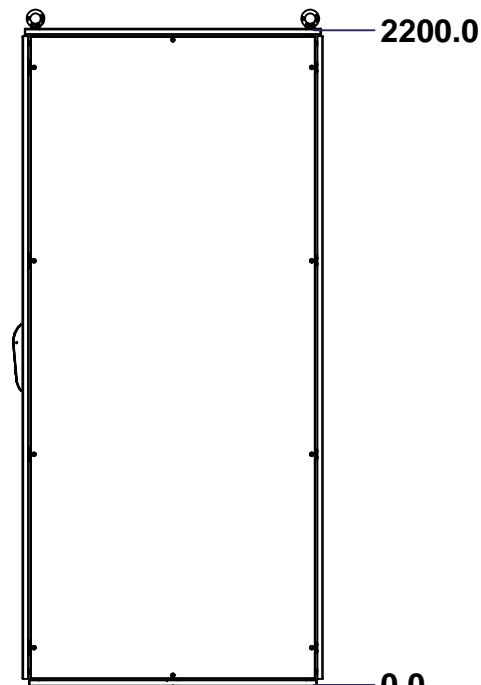
BOTTOM



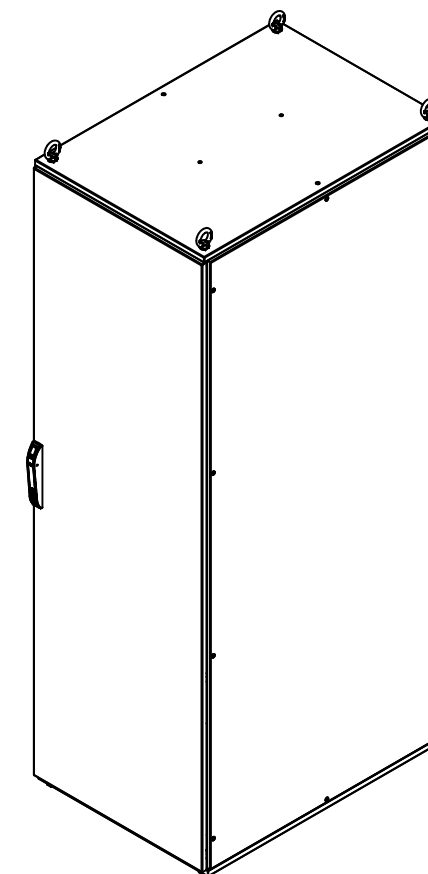
LEFT



FRONT




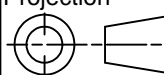
RIGHT



Isometric View



No.	Revisions	Date	By/Par

 Tél: (450) 979-4373 Fax: (450) 979-4626 www.exmweb.com		Flatness Aplatissement Max 3.0mm Projection 
Customer Client	Date	Date
Drawn By Dessiné Par	BoxCad: Annie	Date 24/02/2015
Material Matière	See Part List	
Color Couleur	See Part List	Finish Fini See Part List
Description 6500MX 2200mm x 700mm x 1000mm Assembly	Detail Rev.	
Part Number Numéro Pièce	Rev. 0	1 2

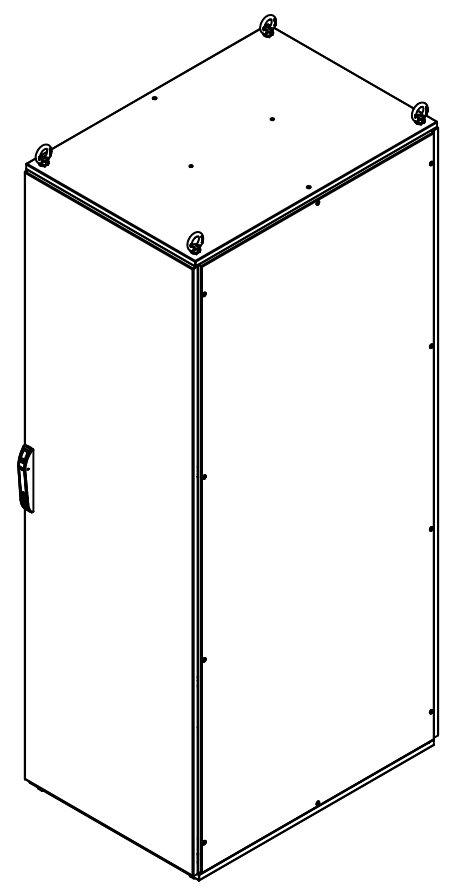
SEE BILL OF MATERIAL ON LAST PAGE

6500MXK220710

This drawing is confidential and must not be reproduced or used without the consent of EXM

Ce dessin est confidentiel et ne doit pas être reproduit ou utilisé sans le consentement de EXM

No.	Revisions	Date	By/Par



Isometric View



Tél: (450) 979-4373
 Fax: (450) 979-4626
www.exmweb.com

Flatness
Aplatissement
Max 3.0mm
Projection

Customer Client
 Drawn By Dessiné Par BoxCad: Annie
 Date 24/02/2015

Material Matière See Part List

Color Couleur See Part List
 Finish Fini See Part List

Description 6500MX 2200mm x 700mm x 1000mm Assembly
 Detail Rev.

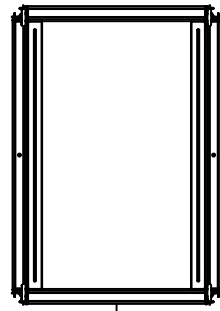
Part Number Numéro Pièce **6500MXK220710**
 Rev. 0

1	6500MXK220710BIP	0	6500 MXM 2200mm x 700mm Back Inner Panel
1	6500MXK220710R	0	6500 MXC 2200mm x 1000mm Right
1	6500MXK220710L	0	6500 MXC 2200mm x 1000mm Left
1	6500MXK220710F	0	6500 MXD 2200mm x 700mm Front
1	6500MXK220710B	0	6500 MXR 2200mm x 700mm Back
1	6500MXK220710BT	0	6500 MXB 700mm x 1000mm Bottom
1	6500MXK220710T	0	6500 MXT 700mm x 1000mm Top
1	6500MXK220710FR	0	6500 MX 2200mm x 700mm x 1000mm Frame
Qty	Part Number	Rev	Description
Parts List			

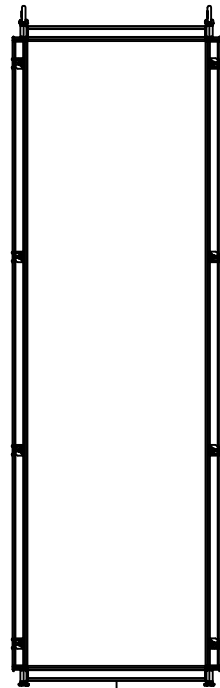
Rev.	2
0	2

This drawing is confidential and must not be reproduced or used without the consent of EXM

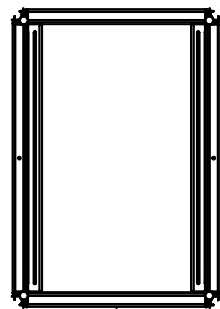
Ce dessin est confidentiel et ne doit pas être reproduit ou utilisé sans le consentement de EXM



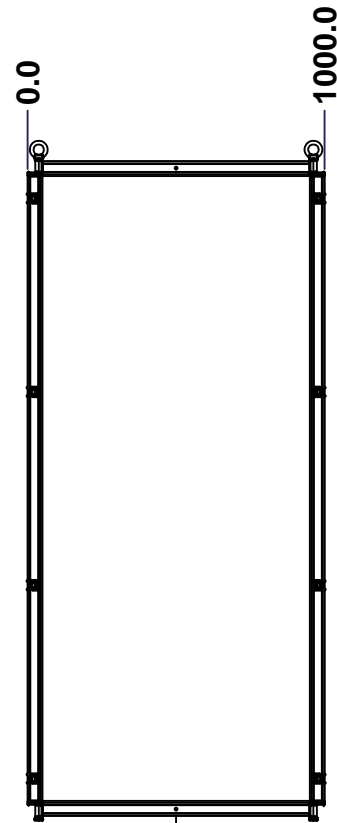
TOP



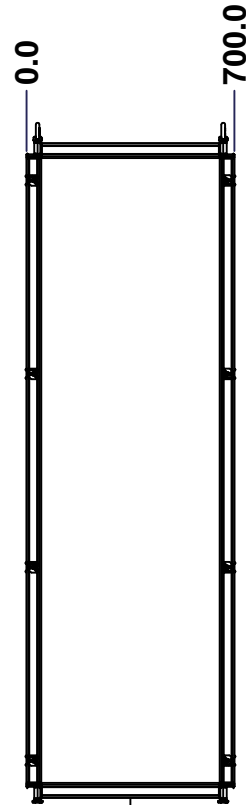
BACK



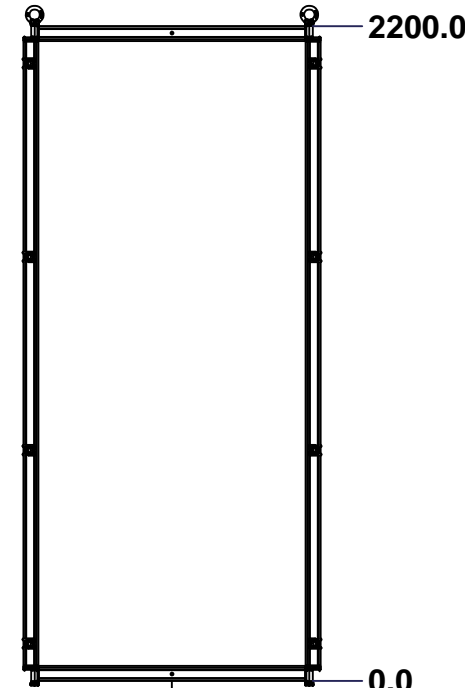
BOTTOM



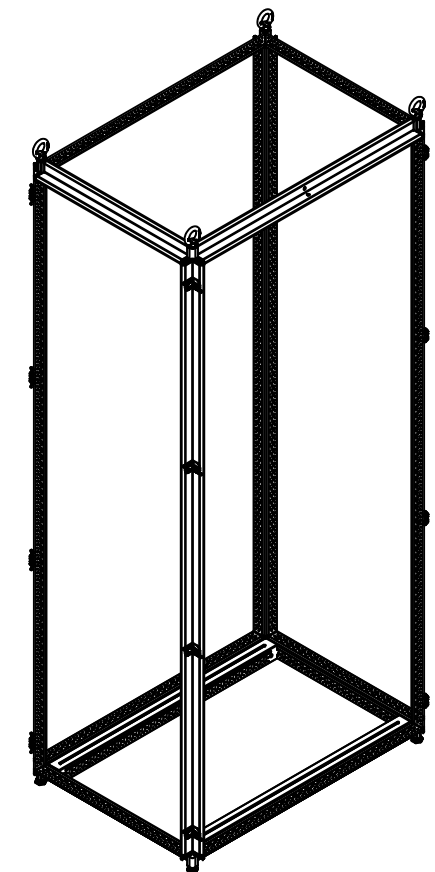
LEFT



FRONT




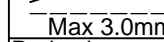

RIGHT



Isometric View



No.	Revisions	Date	By/Par

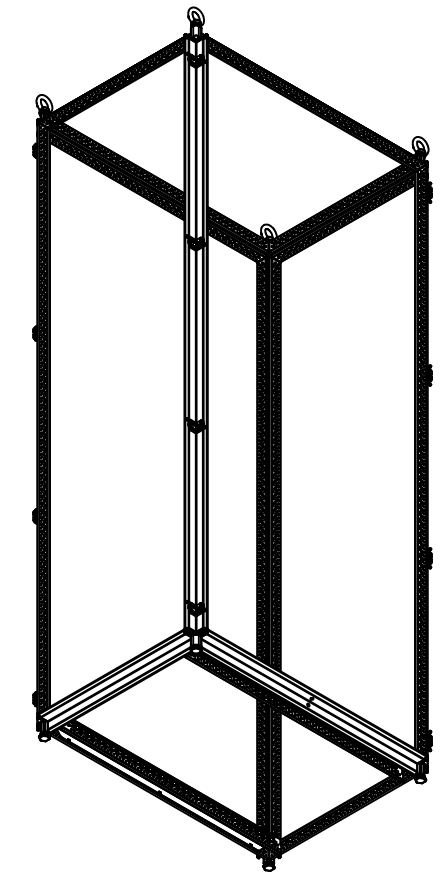
 Tél: (450) 979-4373 Fax: (450) 979-4626 www.exmweb.com		Flatness Aplatissement  Max 3.0mm Projection 
Customer Client	Date	
Drawn By Dessiné Par	BoxCad: Annie	Date 24/02/2015
Material Matière	16 Ga Electro-Galvanized (1.4mm)	
Color Couleur	Iron Grey RAL7011	Finish Fin Rough Textured
Description	Detail Rev.	
6500 MX 2200mm x 700mm x 1000mm Frame		
Part Number Numéro Pièce	Rev.	1 2
6500MXK220710FR	0	

SEE BILL OF MATERIAL ON LAST PAGE

This drawing is confidential and must not be reproduced or used without the consent of EXM

Ce dessin est confidentiel et ne doit pas être reproduit ou utilisé sans le consentement de EXM

No.	Revisions	Date	By/Par



Isometric View

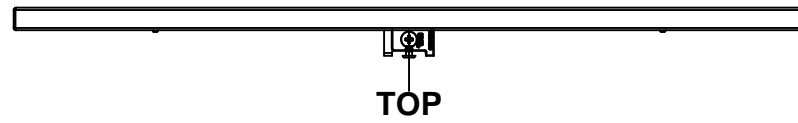


1	STK-P-03810R	0	Powder Paint (Iron Grey / Rough Textured)
1	STK-Q-49071	3	6500 MXM Inner Panel Slider 1000mm
1	STK-Q-49071-L	3	6500 MXM Inner Panel Slider 1000mm
4	STK-Q-49500	3	M12 Eye Bolt (0.34T)
4	STK-Q-61110	0	M12 Feet Leveler
8	STK-Q-00610	1	M18 x 30.5mm Bolt - Cover
4	STK-Q-47251-22	3	6500 MX 2200mm Vertical Frame Post Part
4	STK-Q-47250-07	3	6500 MX 700mm Horizontal Frame Post Part
4	STK-Q-47250-10	3	6500 MX 1000mm Horizontal Frame Post Part
8	STK-Q-49445	2	6500 MX - Frame Corner Bracket Casting
16	STK-K-11001	2	3 Way Fixed Bracket Kit
Qty	Part Number	Rev	Description
Parts List			

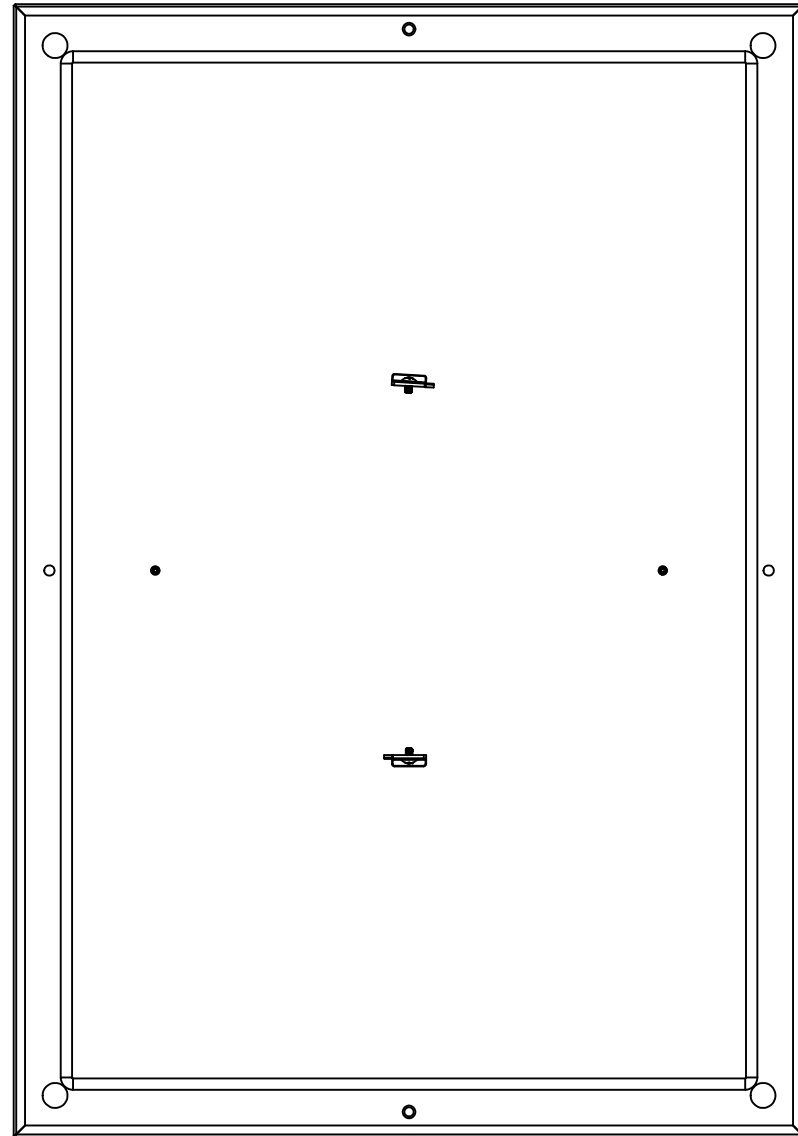
		Tél: (450) 979-4373 Fax: (450) 979-4626 www.exmweb.com		Flatness Aplatissement Max 3.0mm	
Customer Client		Projection 		Date	
Drawn By Dessiné Par		BoxCad: Annie		Date 24/02/2015	
Material Matière		16 Ga Electro-Galvanized (1.4mm)			
Color Couleur		Iron Grey RAL7011		Finish Fini Rough Textured	
Description 6500 MX 2200mm x 700mm x 1000mm Frame				Detail Rev.	
Part Number Numéro Pièce 6500MXK220710FR				Rev. 2 0	

This drawing is confidential and must not be reproduced or used without the consent of EXM

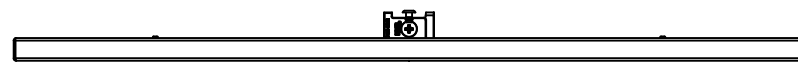
Ce dessin est confidentiel et ne doit pas être reproduit ou utilisé sans le consentement de EXM



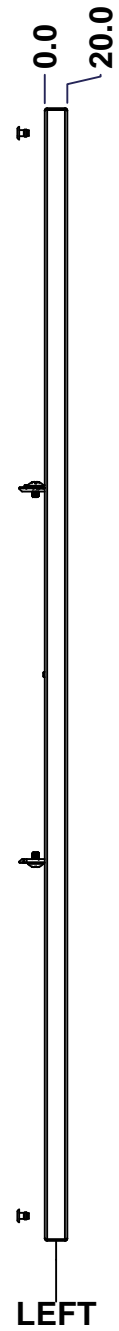
TOP



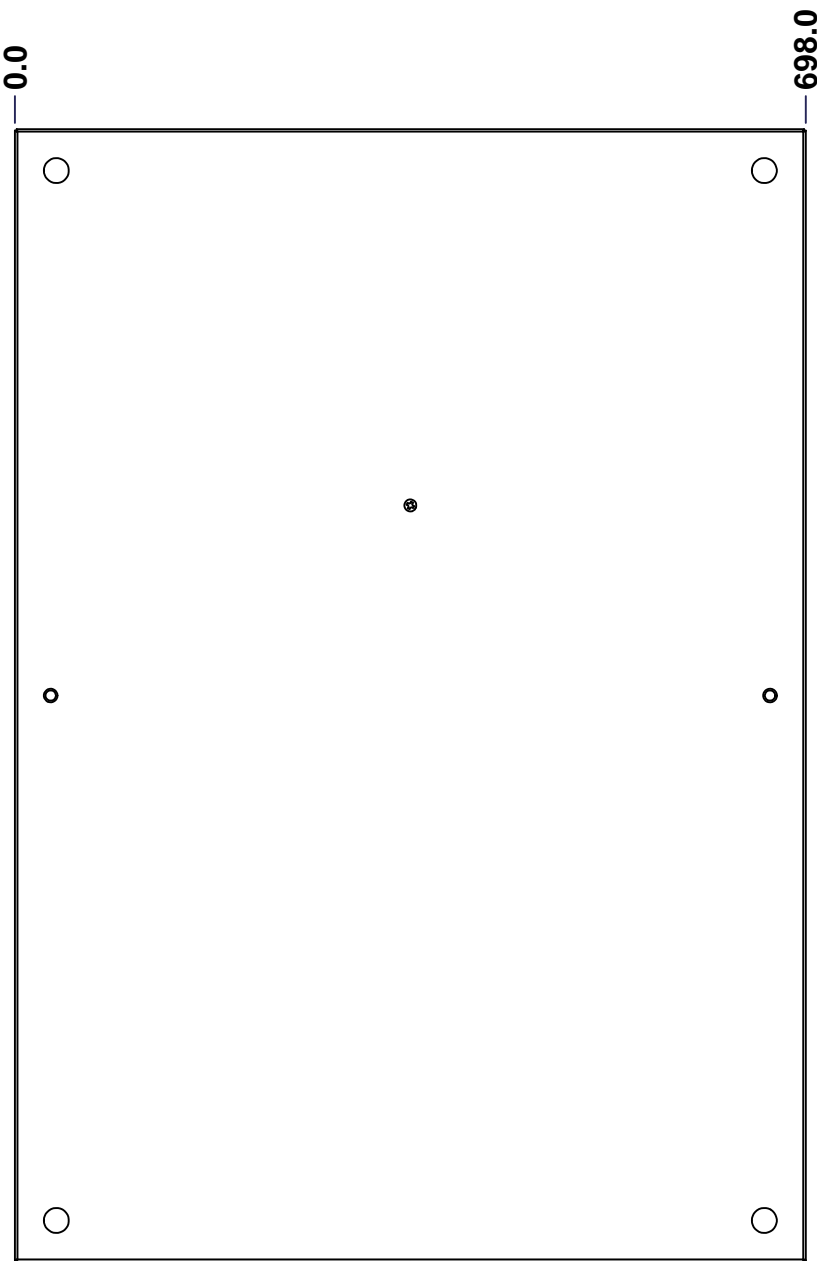
BACK



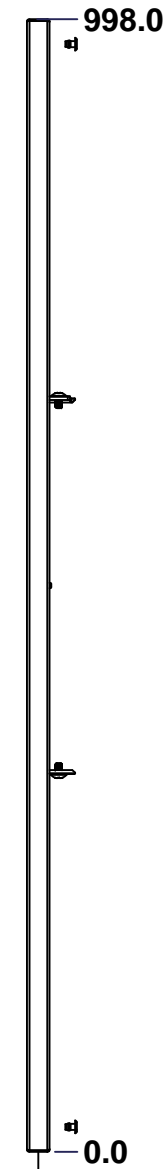
BOTTOM



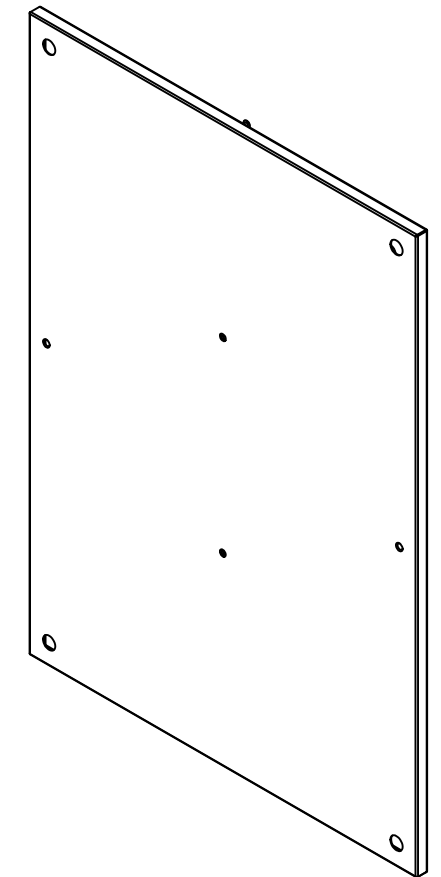
LEFT



FRONT




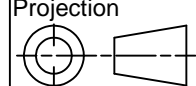
RIGHT



Isometric View



No.	Revisions	Date	By/Par

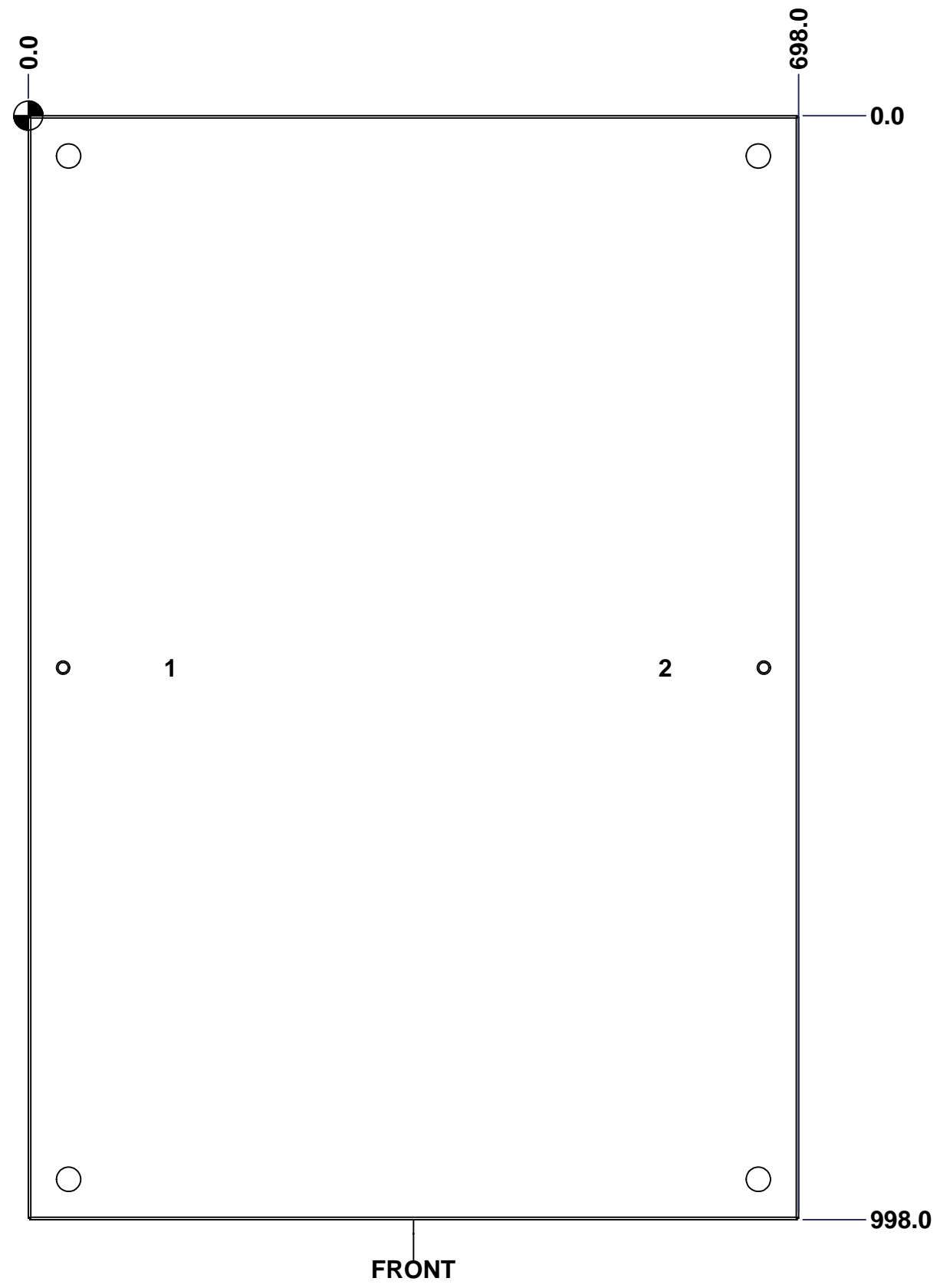
 Tél: (450) 979-4373 Fax: (450) 979-4626 www.exmweb.com		Flatness Aplatissement Max 3.0mm Projection 
Customer Client	Date	
Drawn By Dessiné Par	BoxCad: Annie	Date 24/02/2015
Material Matière	16 Ga H.R.P. & O. (1.4mm)	
Color Couleur	Iron Grey RAL7011	Finish Fini
Description		Detail Rev.
6500 MXT 700mm x 1000mm Top		
Part Number Numéro Pièce	Rev.	
6500MXK220710T	0	1 / 3

SEE BILL OF MATERIAL ON LAST PAGE

This drawing is confidential and must not be reproduced or used without the consent of EXM

Ce dessin est confidentiel et ne doit pas être reproduit ou utilisé sans le consentement de EXM

STANDARD FEATURES ARE NOT LISTED IN THIS HOLE TABLE			
HOLE TABLE - FRONT VIEW (CUSTOM FEATURE ONLY)			
CUT-OUT	XDIM	YDIM	DESCRIPTION
1	125.0	499.0	GND STUD M6 x 16mm (Inside)
2	573.0	499.0	GND STUD M6 x 16mm (Inside)

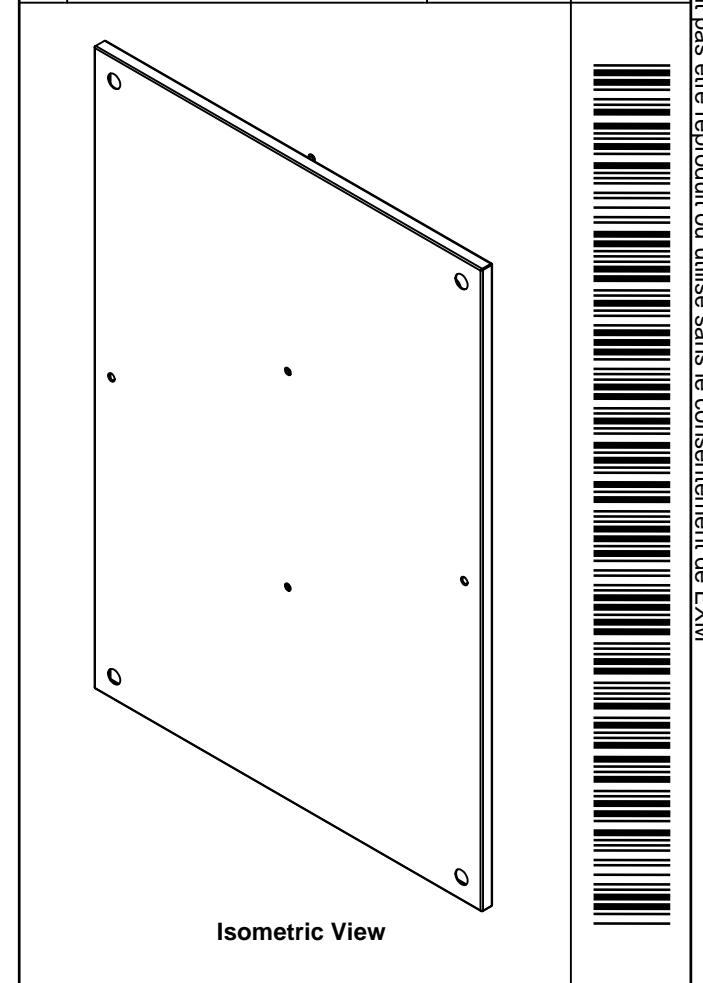



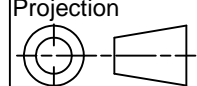
	Description		Status
	6500 MXT 700mm x 1000mm Top		(NULL)
Part Number Numéro Pièce		Rev.	
6500MXK220710T		0	2 3

This drawing is confidential and must not be reproduced or used without the consent of EXM

Ce dessin est confidentiel et ne doit pas être reproduit ou utilisé sans le consentement de EXM

No.	Revisions	Date	By/Par

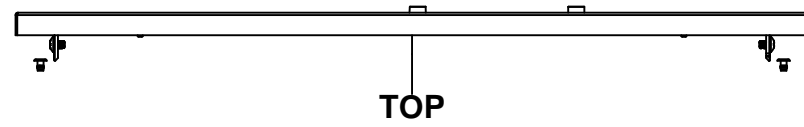


 Tél: (450) 979-4373 Fax: (450) 979-4626 www.exmweb.com		Flatness Aplatissement Max 3.0mm Projection 	
Customer Client		Date	
Drawn By / Dessiné Par: BoxCad: Annie		Date: 24/02/2015	
Material / Matière: 16 Ga H.R.P. & O. (1.4mm)			
Color / Couleur: Iron Grey RAL7011		Finish / Fini: Rough Textured	
Description: 6500 MXT 700mm x 1000mm Top			Detail Rev.
Part Number / Numéro Pièce: 6500MXK220710T			Rev. 3

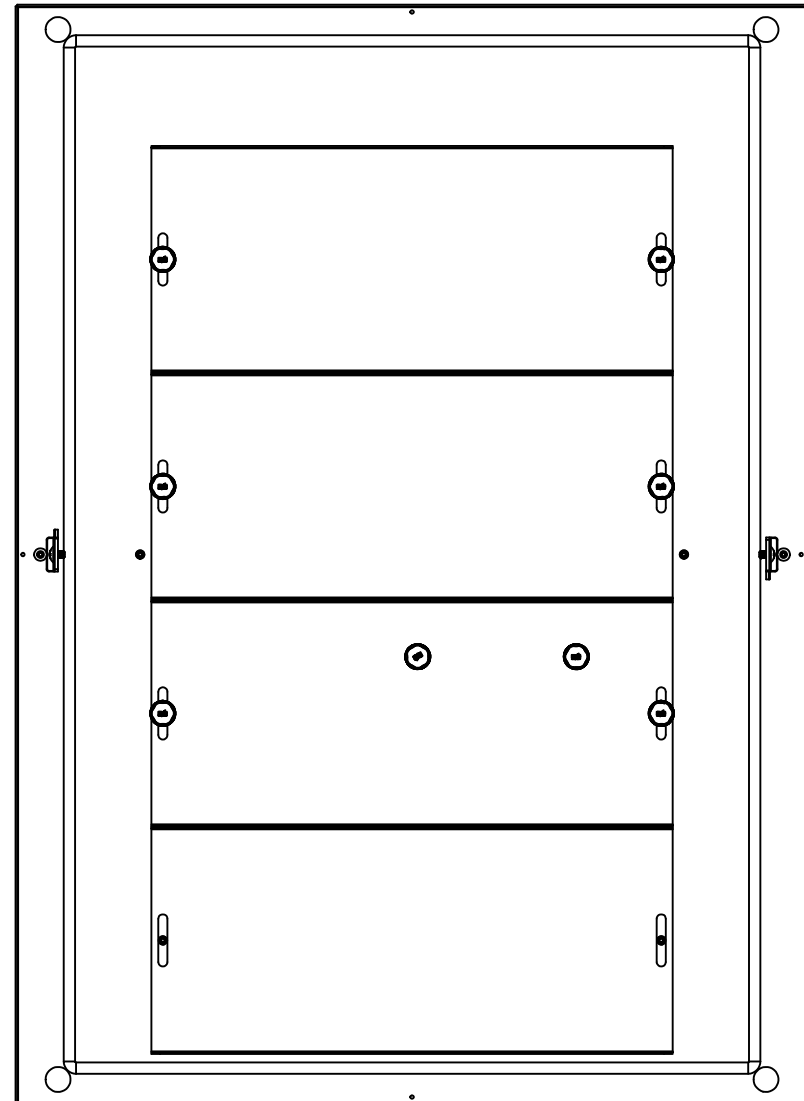
Qty	Part Number	Rev	Description
1	STK-P-03810R	0	Powder Paint (Iron Grey / Rough Textured)
2	STK-Q-16055	1	M6 x 18mm Stud (No Paint Cap Required)
2	STK-Q-77120	1	6500MX-Frame Rubber Plug
2	STK-Q-03072	2	M6 x 17mm Phillips Flat Head Screw
1	6500MXK220710TG	0	6500 MXT 700mm x 1000mm Top Gasket
1	6500MXK220710T-P	0	6500 MXT 700mm x 1000mm Top Part
2	STK-K-11010	3	Partial Fixed Bracket Kit
Parts List			

This drawing is confidential and must not be reproduced or used without the consent of EXM

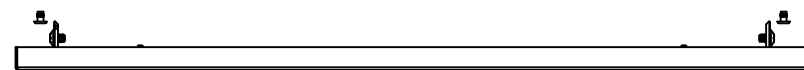
Ce dessin est confidentiel et ne doit pas être reproduit ou utilisé sans le consentement de EXM



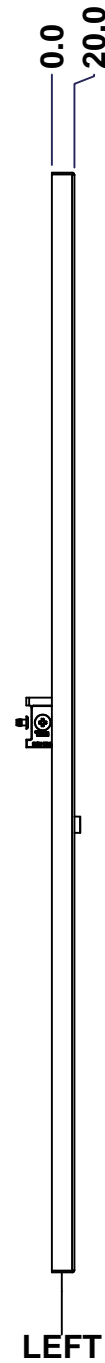
TOP



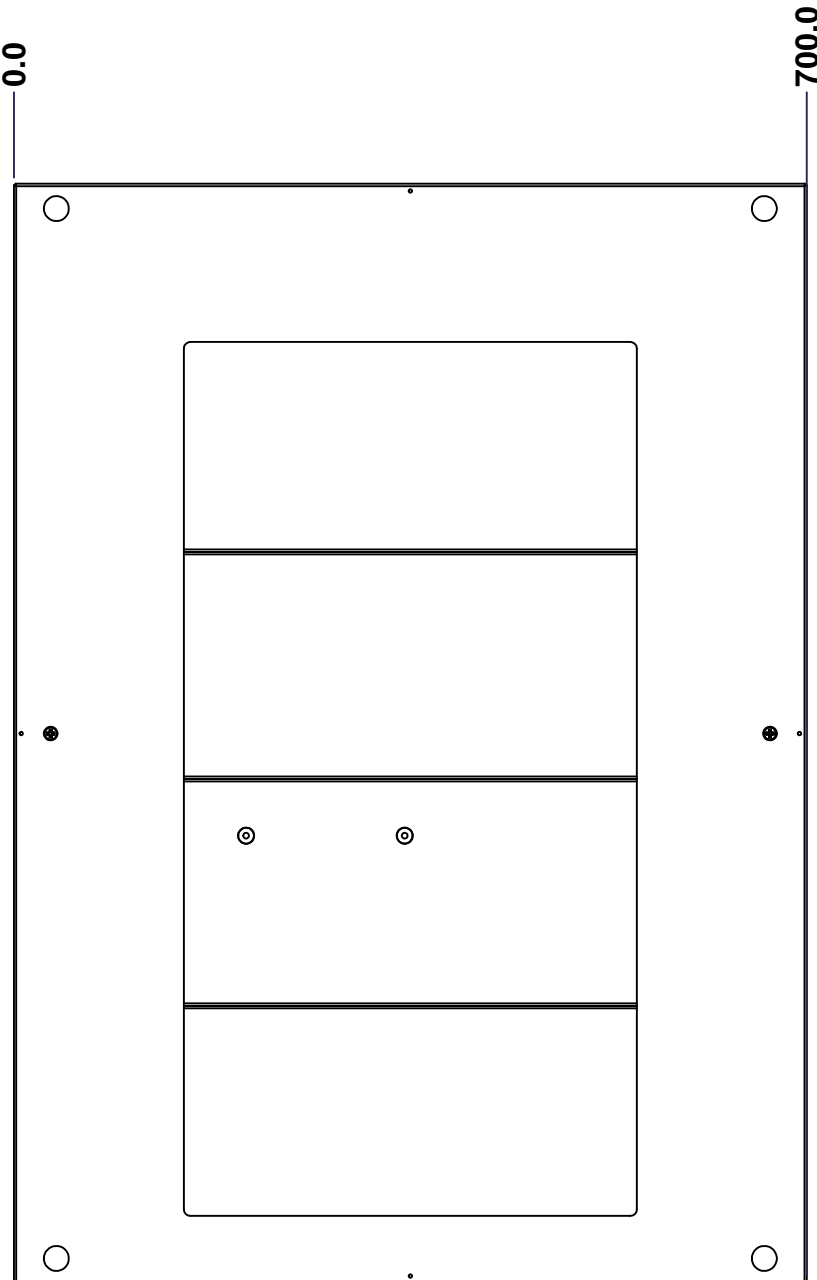
BACK



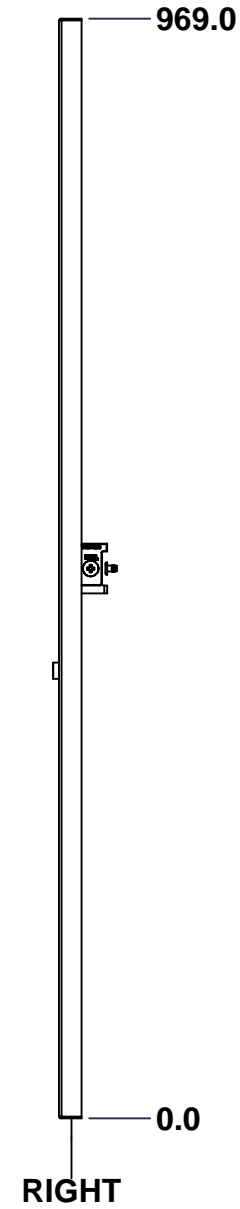
BOTTOM



LEFT

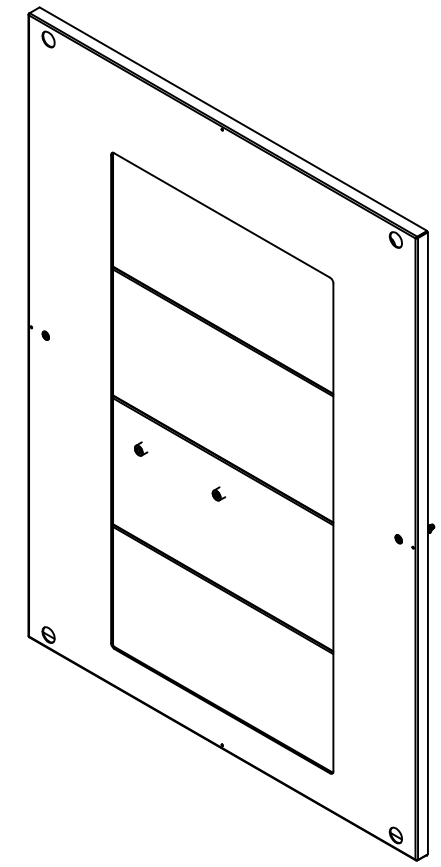


FRONT



RIGHT

No.	Revisions	Date	By/Par



Isometric View



Tél: (450) 979-4373
 Fax: (450) 979-4626
www.exmweb.com

Flatness
Aplatissement
Max 3.0mm
Projection

Customer Client
 Drawn By Dessiné Par BoxCad: Annie
 Date 24/02/2015

Material Matière 16 Ga H.R.P. & O. (1.4mm)

Color Couleur Iron Grey RAL7011
 Finish Fini Rough Textured

Description 6500 MXB 700mm x 1000mm Bottom
 Detail Rev.

Part Number Numéro Pièce 6500MXK220710BT
 Rev. 0

SEE BILL OF MATERIAL ON LAST PAGE

1
3

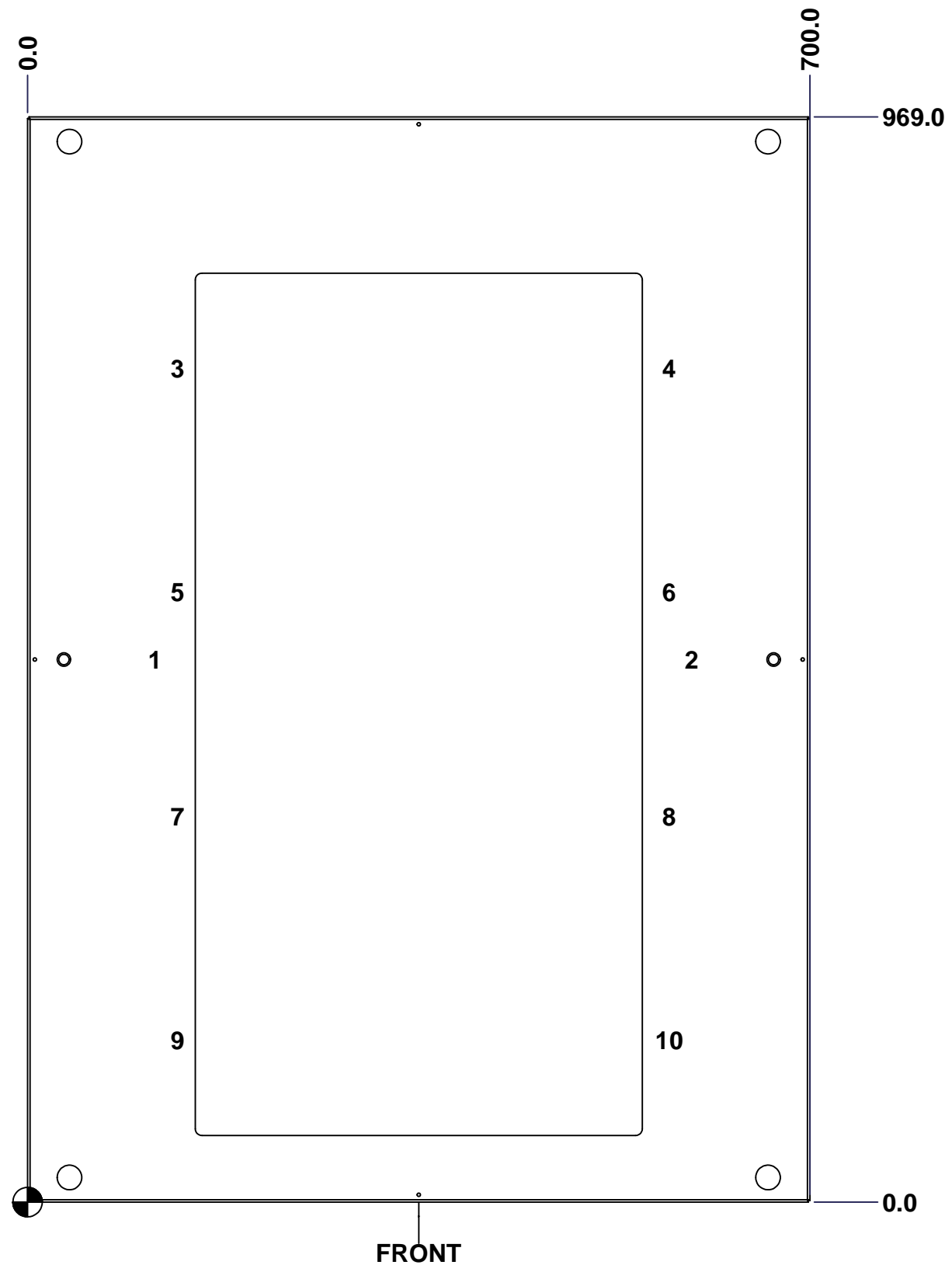
This drawing is confidential and must not be reproduced or used without the consent of EXM

Ce dessin est confidentiel et ne doit pas être reproduit ou utilisé sans le consentement de EXM

STANDARD FEATURES ARE NOT LISTED IN THIS HOLE TABLE

HOLE TABLE - FRONT VIEW (CUSTOM FEATURE ONLY)

CUT-OUT	XDIM	YDIM	DESCRIPTION
1	110.0	484.5	GND STUD M6 x 16mm (Inside)
2	590.0	484.5	GND STUD M6 x 16mm (Inside)
3	130.0	744.5	GP STUD M6 x 10mm (Inside)
4	570.0	744.5	GP STUD M6 x 10mm (Inside)
5	130.0	544.5	GP STUD M6 x 10mm (Inside)
6	570.0	544.5	GP STUD M6 x 10mm (Inside)
7	130.0	344.5	GP STUD M6 x 10mm (Inside)
8	570.0	344.5	GP STUD M6 x 10mm (Inside)
9	130.0	144.5	GP STUD M6 x 10mm (Inside)
10	570.0	144.5	GP STUD M6 x 10mm (Inside)

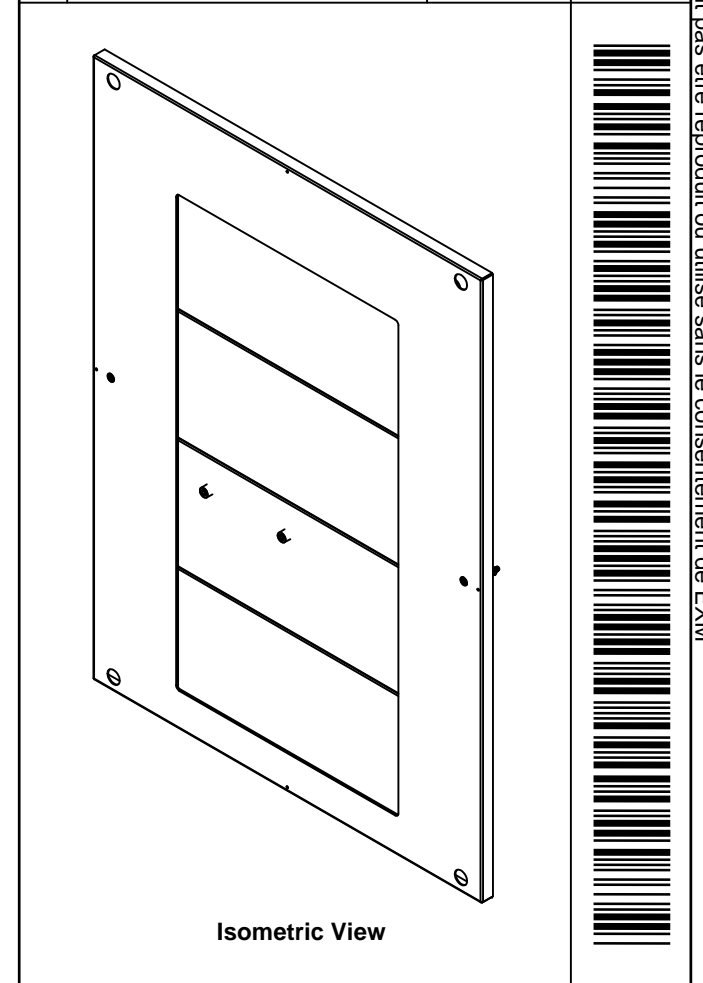


	Description	Status
	6500 MXB 700mm x 1000mm Bottom	(NULL)
	Part Number	Rev.
	Numéro Pièce	2
	6500MXK220710BT	0
		3


This drawing is confidential and must not be reproduced or used without the consent of EXM

Ce dessin est confidentiel et ne doit pas être reproduit ou utilisé sans le consentement de EXM

No.	Revisions	Date	By/Par



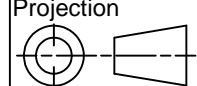
Qty	Part Number	Rev	Description
1	STK-P-03810R	0	Powder Paint (Iron Grey / Rough Textured)
2	STK-Q-06001	0	Mtrx - Gland Plate M6 Plastic Thumb Nut
2	STK-Q-16055	1	M6 x 18mm Stud (No Paint Cap Required)
2	STK-Q-77120	1	6500MX-Frame Rubber Plug
2	STK-Q-03072	2	M6 x 17mm Phillips Flat Head Screw
6			
4	6500MXK220710GP200-P	0	6500 MXB 700mm Gland Plate Part (200mm)
8	STK-Q-16031	0	M6 x 10mm Stud (No Paint Cap Required)
1	6500MXK220710BTGPG	0	6500 MXB 700mm x 1000mm Bottom Gland Plate Gasket
1	6500MXK220710BTG	0	6500 MXB 700mm x 1000mm Bottom Gasket
1	6500MXK220710BT-P	0	6500 MXB 700mm x 1000mm Bottom Part
2	STK-K-11010	3	Partial Fixed Bracket Kit



Tél: (450) 979-4373
 Fax: (450) 979-4626
www.exmweb.com

Flatness
Aplatissement
Max 3.0mm

Projection

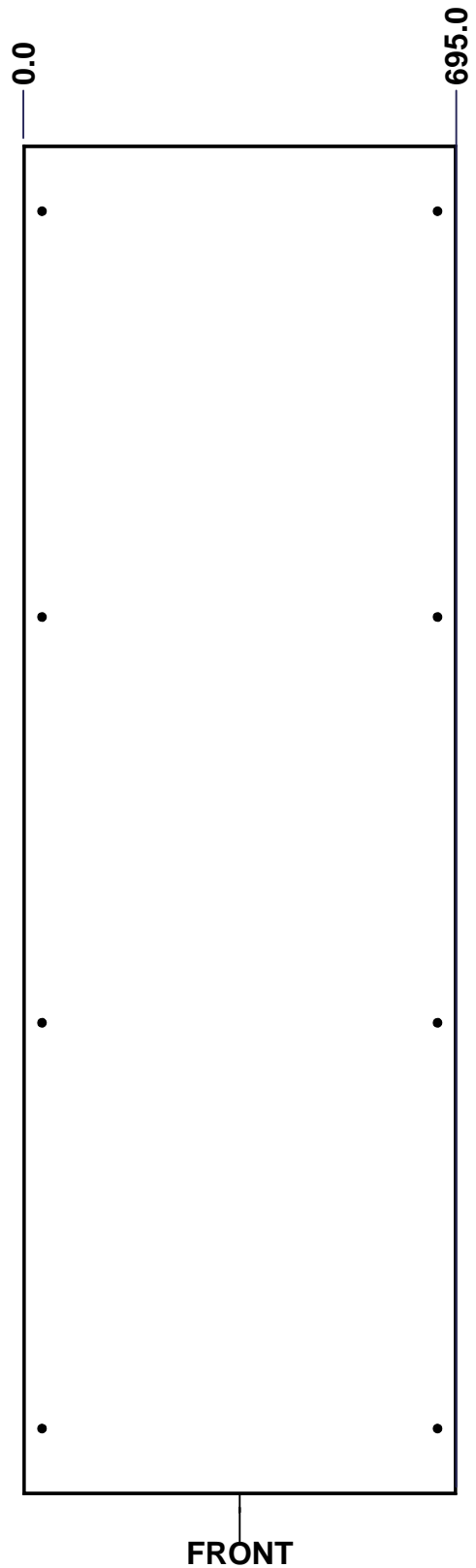
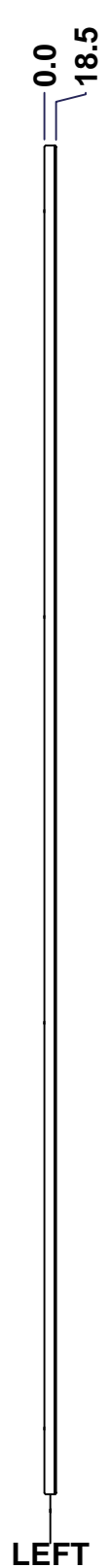
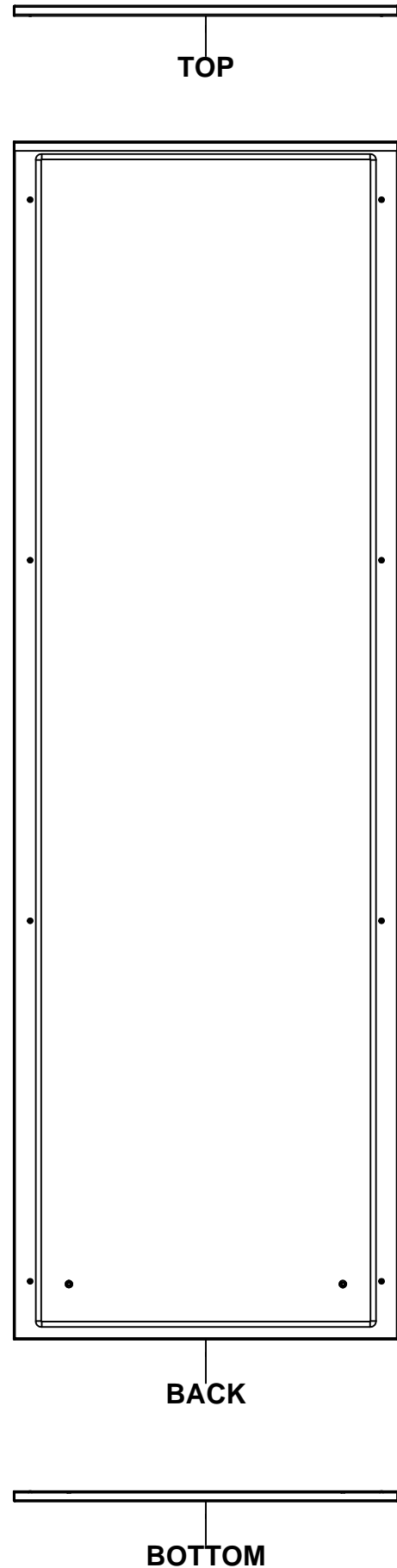


Customer Client		Date
Drawn By / Dessiné Par: BoxCad: Annie		Date: 24/02/2015
Material / Matière: 16 Ga H.R.P. & O. (1.4mm)		
Color / Couleur: Iron Grey RAL7011	Finish / Fini: Rough Textured	
Description: 6500 MXB 700mm x 1000mm Bottom		Detail Rev.
Part Number / Numéro Pièce: 6500MXK220710BT		Rev. 3
		0
		3

Parts List

This drawing is confidential and must not be reproduced or used without the consent of EXM

Ce dessin est confidentiel et ne doit pas être reproduit ou utilisé sans le consentement de EXM



No.	Revisions	Date	By/Par

Isometric View

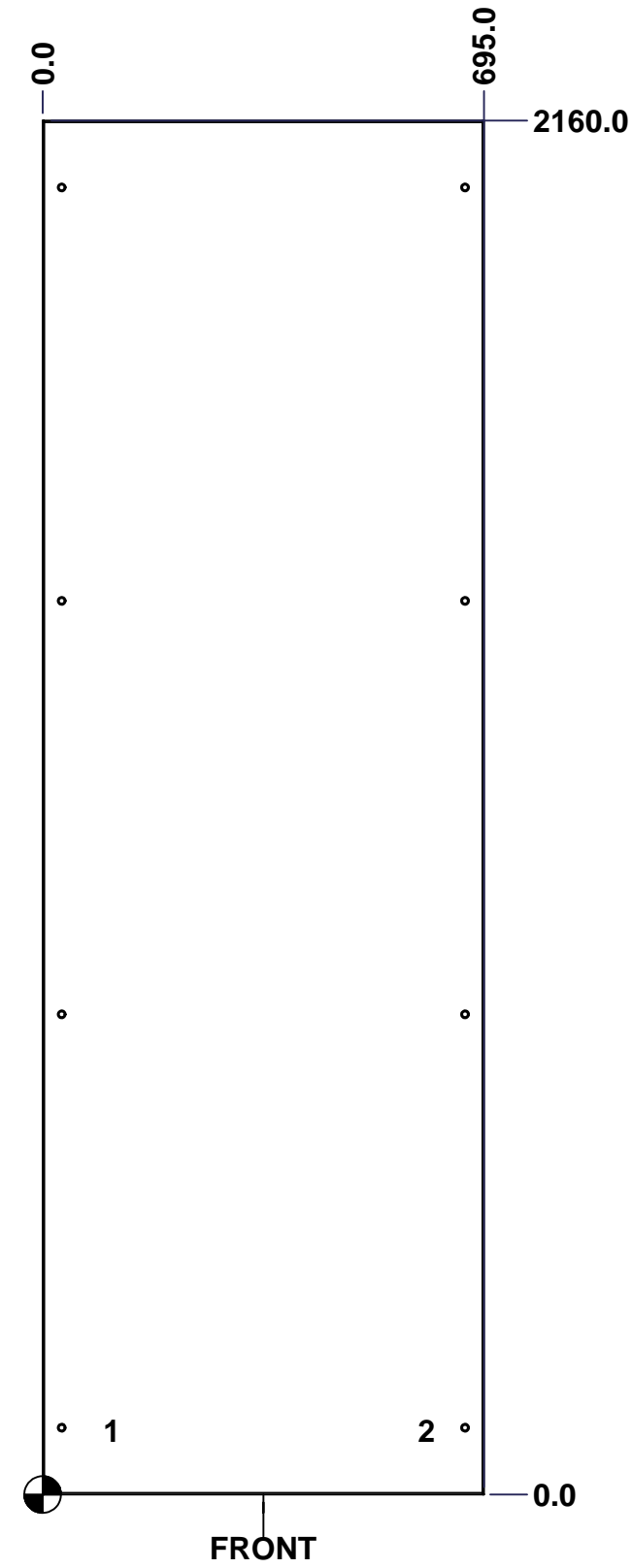
<p>Tél: (450) 979-4373 Fax: (450) 979-4626 www.exmweb.com</p>		Flatness Aplatissement	
		Max 3.0mm	
Customer Client		Projection	
Date			
Drawn By Dessiné Par		Date	
BoxCad: Annie		24/02/2015	
Material Matière		14 Ga H.R.P. & O. (1.7mm)	
Color Couleur		Light Grey RAL7035	Finish Fini
			Rough Textured
Description		Detail Rev.	
6500 MXR 2200mm x 700mm Back			
Part Number Numéro Pièce		Rev.	
6500MXK220710B		0	1 3

SEE BILL OF MATERIAL ON LAST PAGE

This drawing is confidential and must not be reproduced or used without the consent of EXM

Ce dessin est confidentiel et ne doit pas être reproduit ou utilisé sans le consentement de EXM

STANDARD FEATURES ARE NOT LISTED IN THIS HOLE TABLE			
HOLE TABLE - FRONT VIEW (CUSTOM FEATURE ONLY)			
CUT-OUT	XDIM	YDIM	DESCRIPTION
1	100.0	100.0	GND STUD M6 x 16mm (Inside)
2	595.0	100.0	GND STUD M6 x 16mm (Inside)

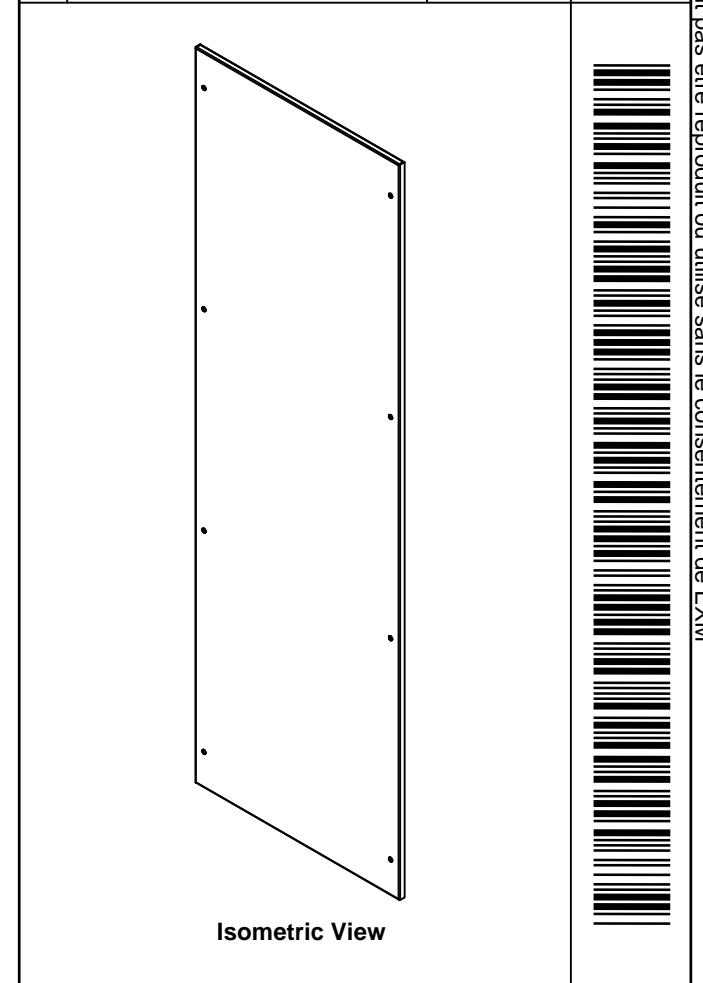


	Description 6500 MXR 2200mm x 700mm Back	Status (NULL)
	Part Number Numéro Pièce 6500MXK220710B	Rev. 2 0 / 3

This drawing is confidential and must not be reproduced or used without the consent of EXM

Ce dessin est confidentiel et ne doit pas être reproduit ou utilisé sans le consentement de EXM

No.	Revisions	Date	By/Par

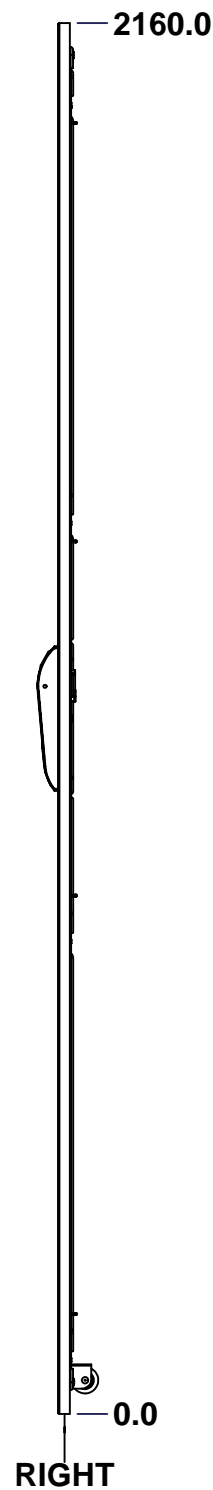
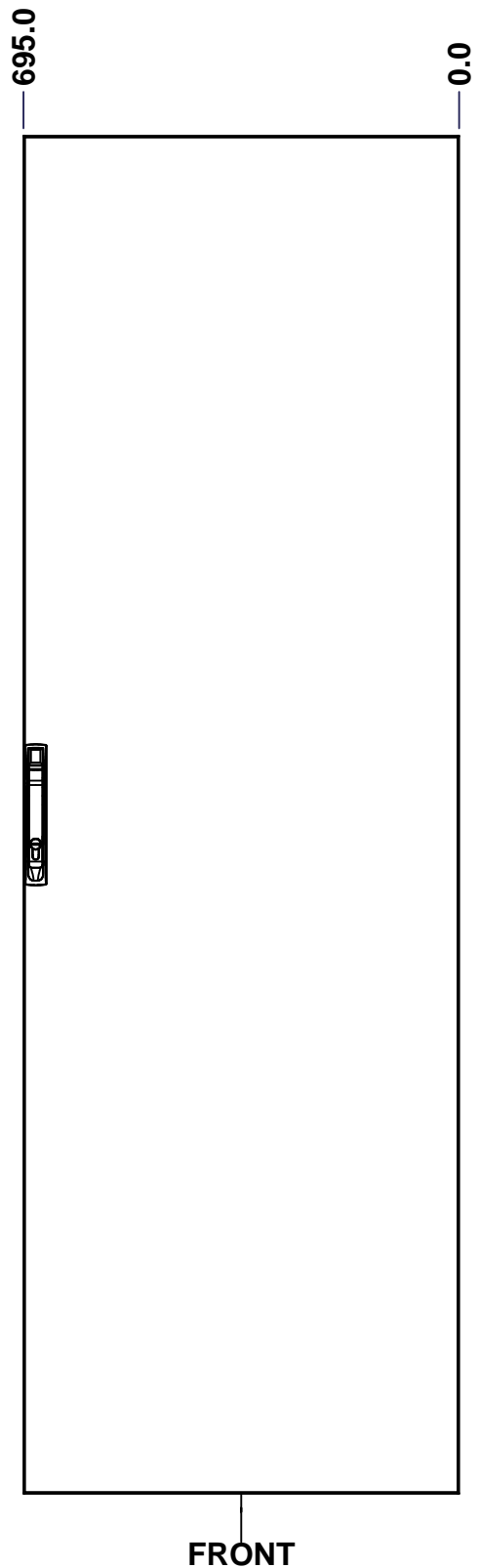
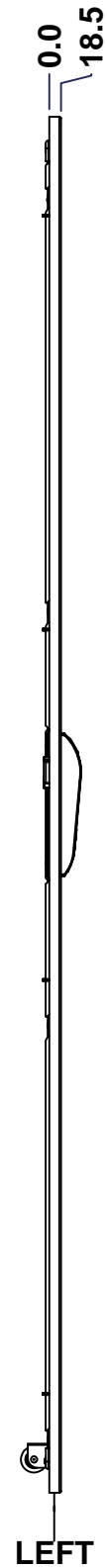
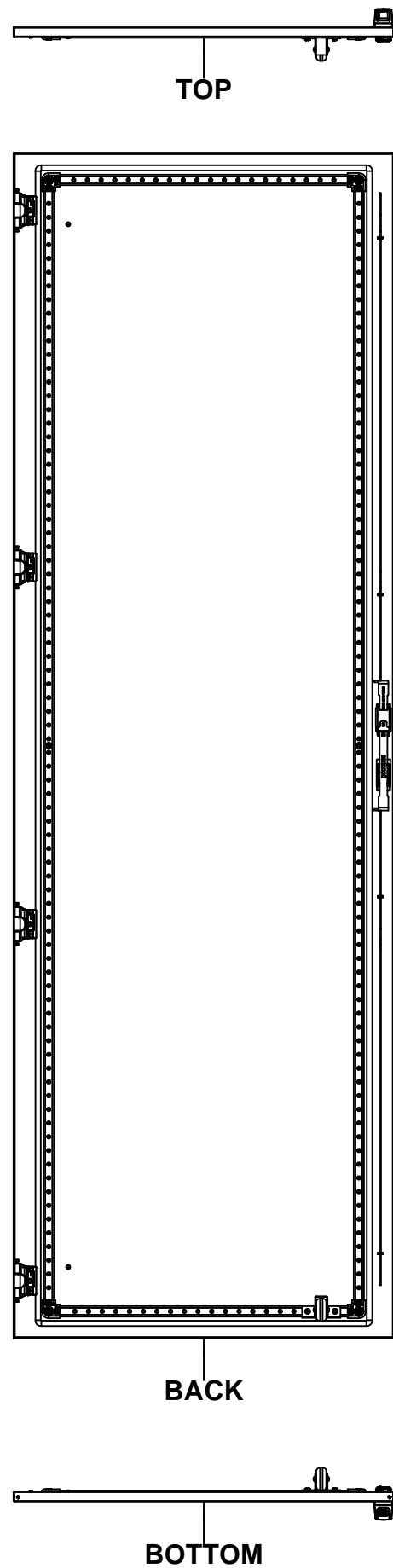


Tél: (450) 979-4373 Fax: (450) 979-4626 www.exmweb.com		Flatness Aplatissement	
		Max 3.0mm Projection	
Customer Client		Date	
Drawn By Dessiné Par BoxCad: Annie		Date 24/02/2015	
Material Matière 14 Ga H.R.P. & O. (1.7mm)			
Color Couleur Light Grey RAL7035		Finish Fini Rough Textured	
Description 6500 MXR 2200mm x 700mm Back			Detail Rev.
Part Number Numéro Pièce 6500MXK220710B			Rev. 3

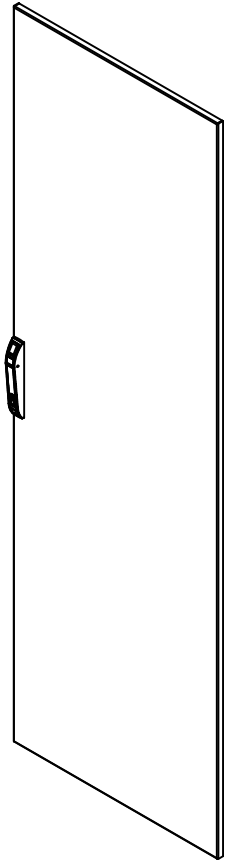
Qty	Part Number	Rev	Description
1	STK-P-03820R	0	Powder Paint (Light Grey / Rough Textured)
8	STK-Q-03072	2	M6 x 17mm Phillips Flat Head Screw
2	STK-Q-16080	0.1.1	M6 x 16mm Ground Stud
1	6500MXK220710BG	0	6500 MXR 2200mm x 700mm Back Gasket
1	6500MXK220710B-P	0	6500 MXR 2200mm x 700mm Back Part
Parts List			

This drawing is confidential and must not be reproduced or used without the consent of EXM


Ce dessin est confidentiel et ne doit pas être reproduit ou utilisé sans le consentement de EXM


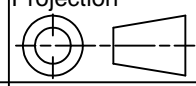


No.	Revisions	Date	By/Par



Isometric View



 Tél: (450) 979-4373 Fax: (450) 979-4626 www.exmweb.com		Flatness Aplatissement			
		Max 3.0mm			
Customer Client		Projection			
Date					
Drawn By Dessiné Par BoxCad: Annie		Date 24/02/2015			
Material Matière 14 Ga H.R.P. & O. (1.7mm)					
Color Couleur Light Grey RAL7035		Finish Fini Rough Textured			
Description 6500 MXD 2200mm x 700mm Front			Detail Rev.		
Part Number Numéro Pièce 6500MXK220710F		Rev. 0	<table border="1" style="width: 100%;"> <tr> <td style="width: 50%; text-align: center;">1</td> <td style="width: 50%; text-align: center;">3</td> </tr> </table>	1	3
1	3				

SEE BILL OF MATERIAL ON LAST PAGE

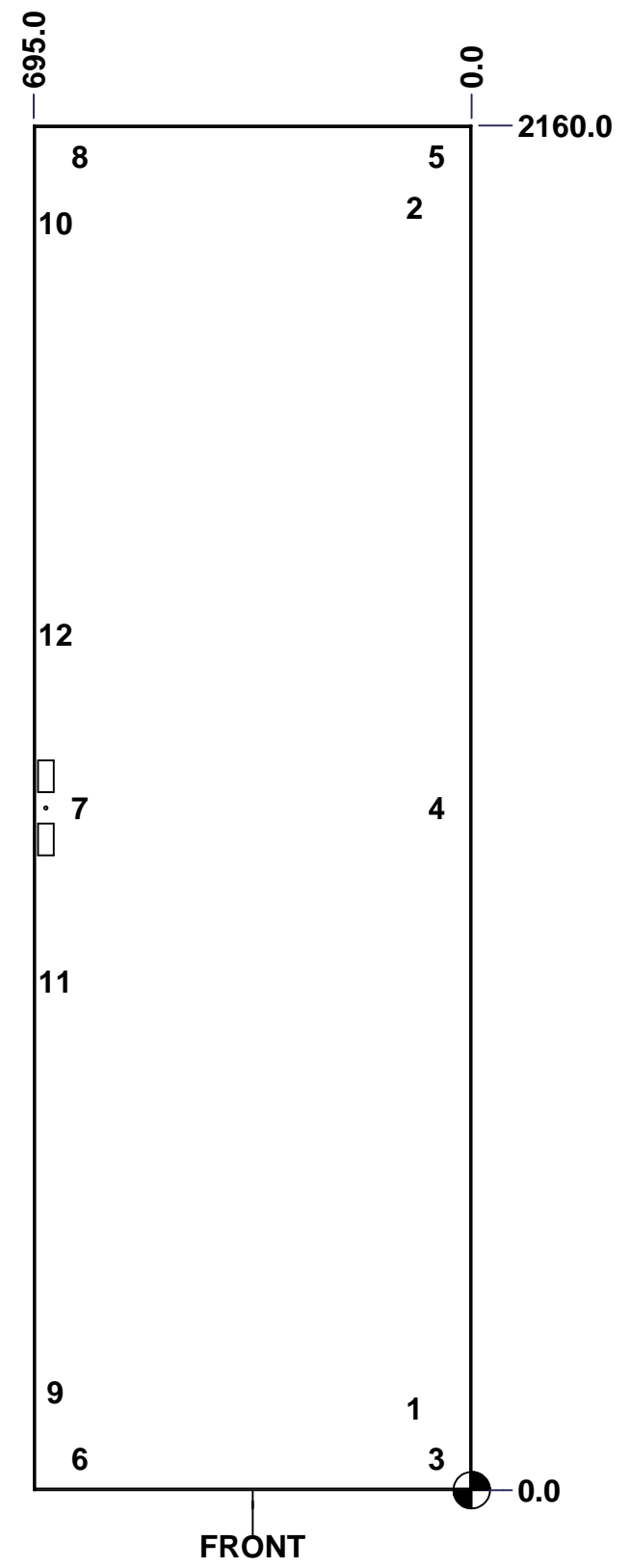
This drawing is confidential and must not be reproduced or used without the consent of EXM

Ce dessin est confidentiel et ne doit pas être reproduit ou utilisé sans le consentement de EXM

STANDARD FEATURES ARE NOT LISTED IN THIS HOLE TABLE

HOLE TABLE - FRONT VIEW (CUSTOM FEATURE ONLY)

CUT-OUT	XDIM	YDIM	DESCRIPTION
1	100.0	130.0	GND STUD M6 x 16mm (Inside)
2	100.0	2030.0	GND STUD M6 x 16mm (Inside)
3	64.5	49.5	STIFF. STUD M6 x 18mm (Inside)
4	64.5	1080.0	STIFF. STUD M6 x 18mm (Inside)
5	64.5	2110.5	STIFF. STUD M6 x 18mm (Inside)
6	630.5	49.5	STIFF. STUD M6 x 18mm (Inside)
7	630.5	1080.0	STIFF. STUD M6 x 18mm (Inside)
8	630.5	2110.5	STIFF. STUD M6 x 18mm (Inside)
9	669.5	155.0	CLOSING BAR GUIDE (Inside)
10	669.5	2005.0	CLOSING BAR GUIDE (Inside)
11	669.5	805.0	CLOSING BAR GUIDE (Inside)
12	669.5	1355.0	CLOSING BAR GUIDE (Inside)



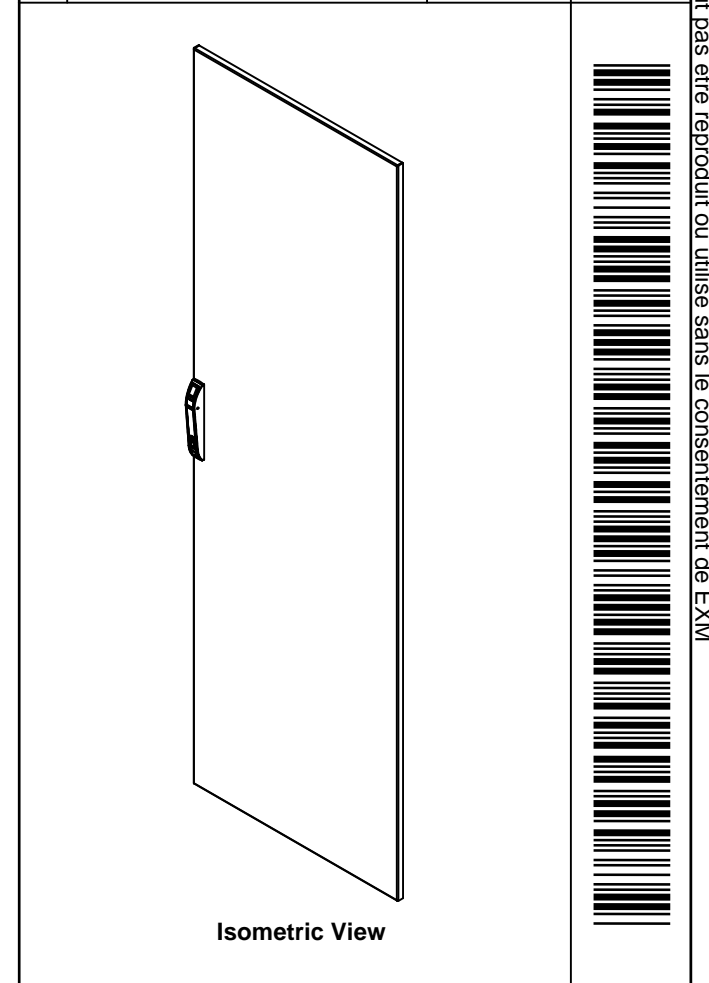
FRONT

	Description	Status	
	6500 MXD 2200mm x 700mm Front	(NULL)	
	Part Number Numéro Pièce	Rev.	
	6500MXK220710F	0	2 3


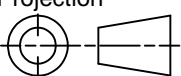
This drawing is confidential and must not be reproduced or used without the consent of EXM

Ce dessin est confidentiel et ne doit pas être reproduit ou utilisé sans le consentement de EXM

No.	Revisions	Date	By/Par

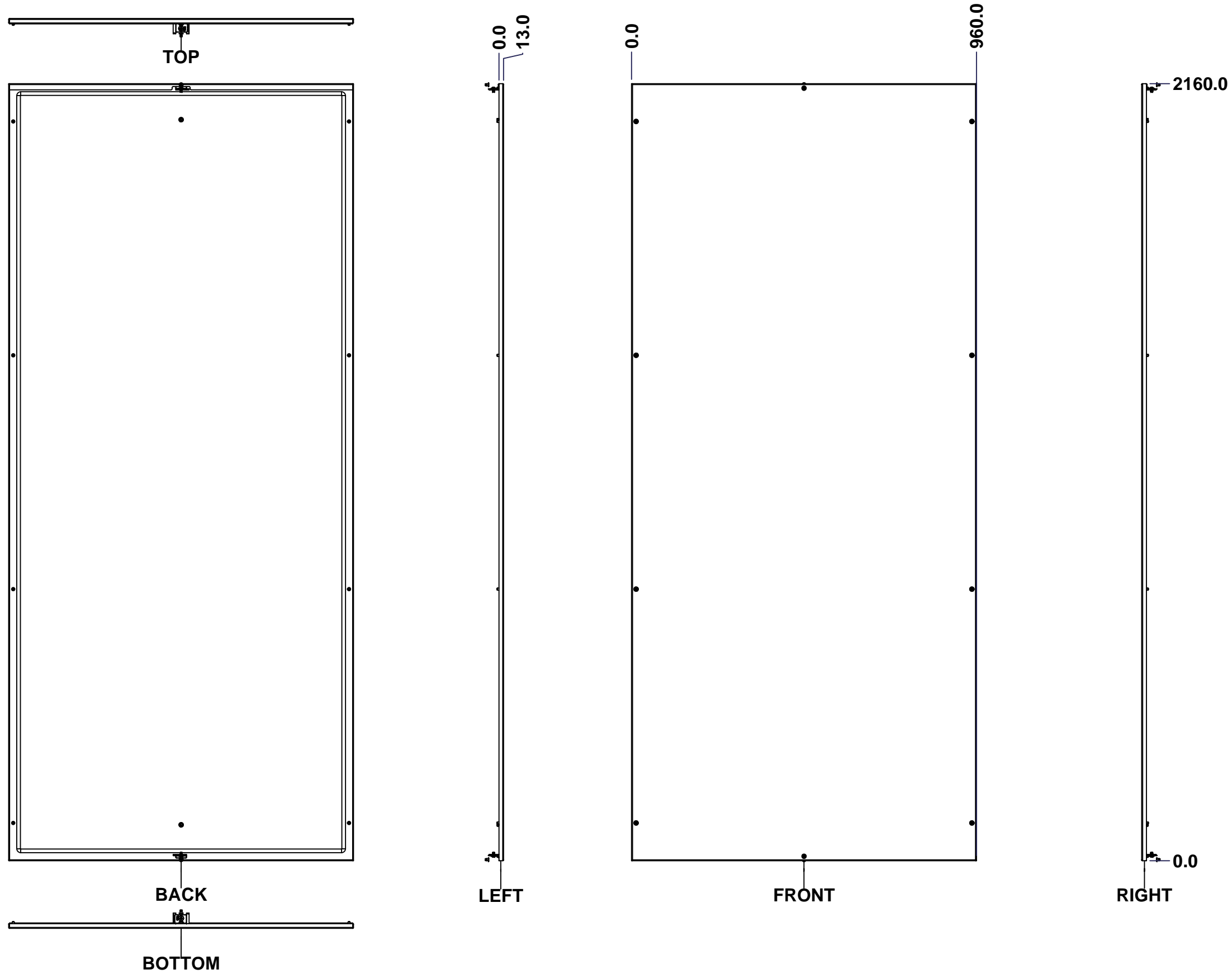


1	STK-P-03820R	0	Powder Paint (Light Grey / Rough Textured)
1	6500MXSRK	1	6500 MXRSK Door Support Roller
4	STK-Q-78022	0	Mtrx Closing Bar Slider
1	STK-Q-45746-22	1	6500 MXD - Lock Door Closing Bar
4	STK-Q-33105	4	5412 ESBU Buttable Hinge (Cover Part)
1	STK-Q-45729-22	2	6500 MXD - Lock Door Top Closing Bar
1	886PHD-S	4	Euroform Pull Handle Kit
8	STK-Q-16055	1	M6 x 18mm Stud (No Paint Cap Required)
1	6500MXK220710DS1	5	6500 MX 2200mm x 700mm Door Stiffener
1	6500MXK220710FG	0	6500 MXD 2200mm x 700mm Front Gasket
1	6500MXK220710F-P	0	6500 MXD 2200mm x 700mm Front Part
4	STK-K-06811	1	6500 MX - Hinge Assy
Qty	Part Number	Rev	Description
Parts List			

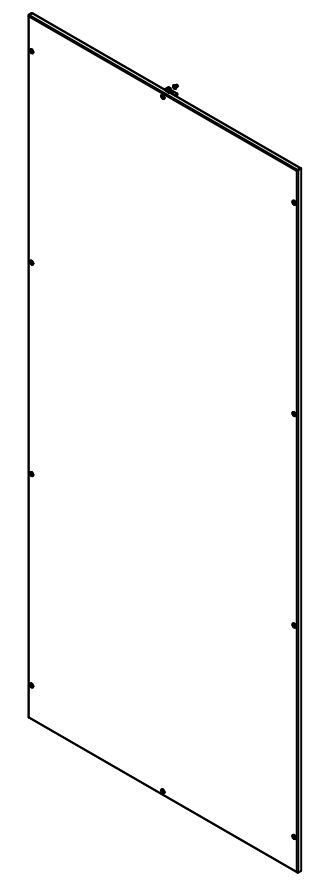
 Tél: (450) 979-4373 Fax: (450) 979-4626 www.exmweb.com		Flatness Aplatissement Max 3.0mm Projection 
Customer Client	Date	Date
Drawn By Dessiné Par	BoxCad: Annie	24/02/2015
Material Matière	14 Ga H.R.P. & O. (1.7mm)	
Color Couleur	Light Grey RAL7035	Finish Fini
		Rough Textured
Description	Detail Rev.	
6500 MXD 2200mm x 700mm Front		
Part Number Numéro Pièce	Rev.	3
6500MXK220710F	0	3

This drawing is confidential and must not be reproduced or used without the consent of EXM

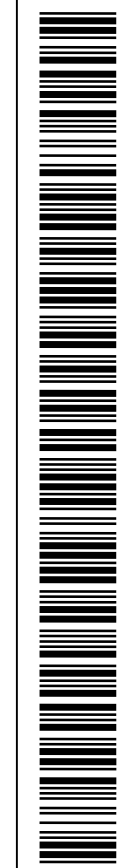
Ce dessin est confidentiel et ne doit pas être reproduit ou utilisé sans le consentement de EXM


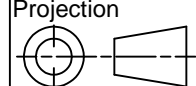


No.	Revisions	Date	By/Par



Isometric View



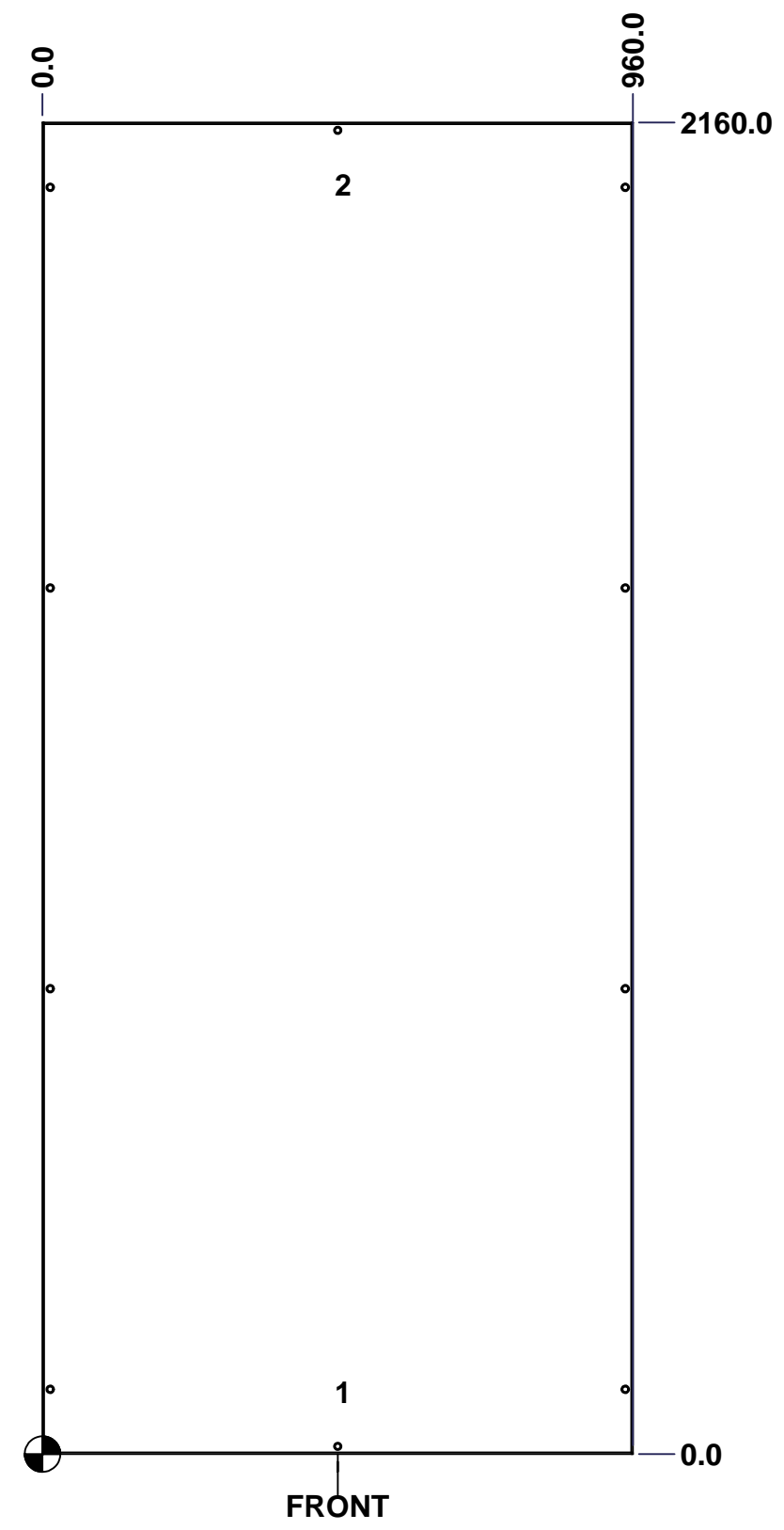
 Tél: (450) 979-4373 Fax: (450) 979-4626 www.exmweb.com		Flatness Aplatissement Max 3.0mm	
		Projection 	
Customer Client		Date	
Drawn By Dessiné Par BoxCad: Annie		Date 24/02/2015	
Material Matière		14 Ga H.R.P. & O. (1.7mm)	
Color Couleur	Light Grey RAL7035	Finish Fin	Rough Textured
Description		Detail Rev.	
6500 MXC 2200mm x 1000mm Left			
Part Number Numéro Pièce		Rev.	1
6500MXK220710L		0	3

SEE BILL OF MATERIAL ON LAST PAGE

This drawing is confidential and must not be reproduced or used without the consent of EXM

Ce dessin est confidentiel et ne doit pas être reproduit ou utilisé sans le consentement de EXM

STANDARD FEATURES ARE NOT LISTED IN THIS HOLE TABLE			
HOLE TABLE - FRONT VIEW (CUSTOM FEATURE ONLY)			
CUT-OUT	XDIM	YDIM	DESCRIPTION
1	480.0	100.0	GND STUD M6 x 16mm (Inside)
2	480.0	2060.0	GND STUD M6 x 16mm (Inside)

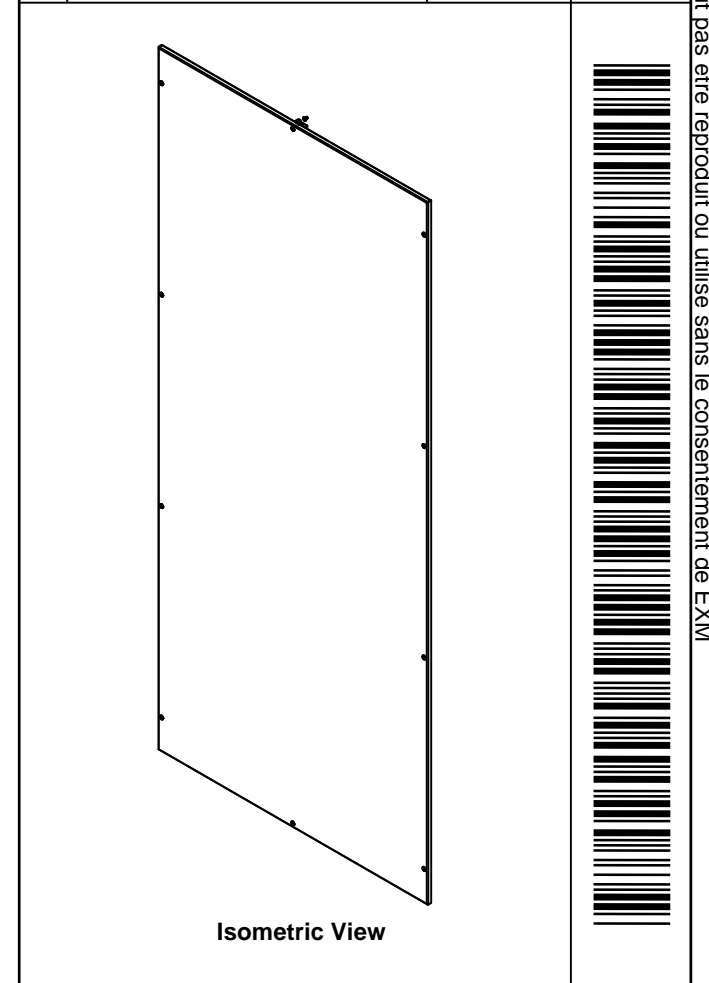



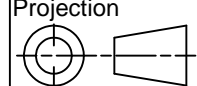
	Description	Status
	6500 MXC 2200mm x 1000mm Left	(NULL)
	Part Number Numéro Pièce	Rev.
	6500MXK220710L	0
		2
		3

This drawing is confidential and must not be reproduced or used without the consent of EXM

Ce dessin est confidentiel et ne doit pas être reproduit ou utilisé sans le consentement de EXM

No.	Revisions	Date	By/Par

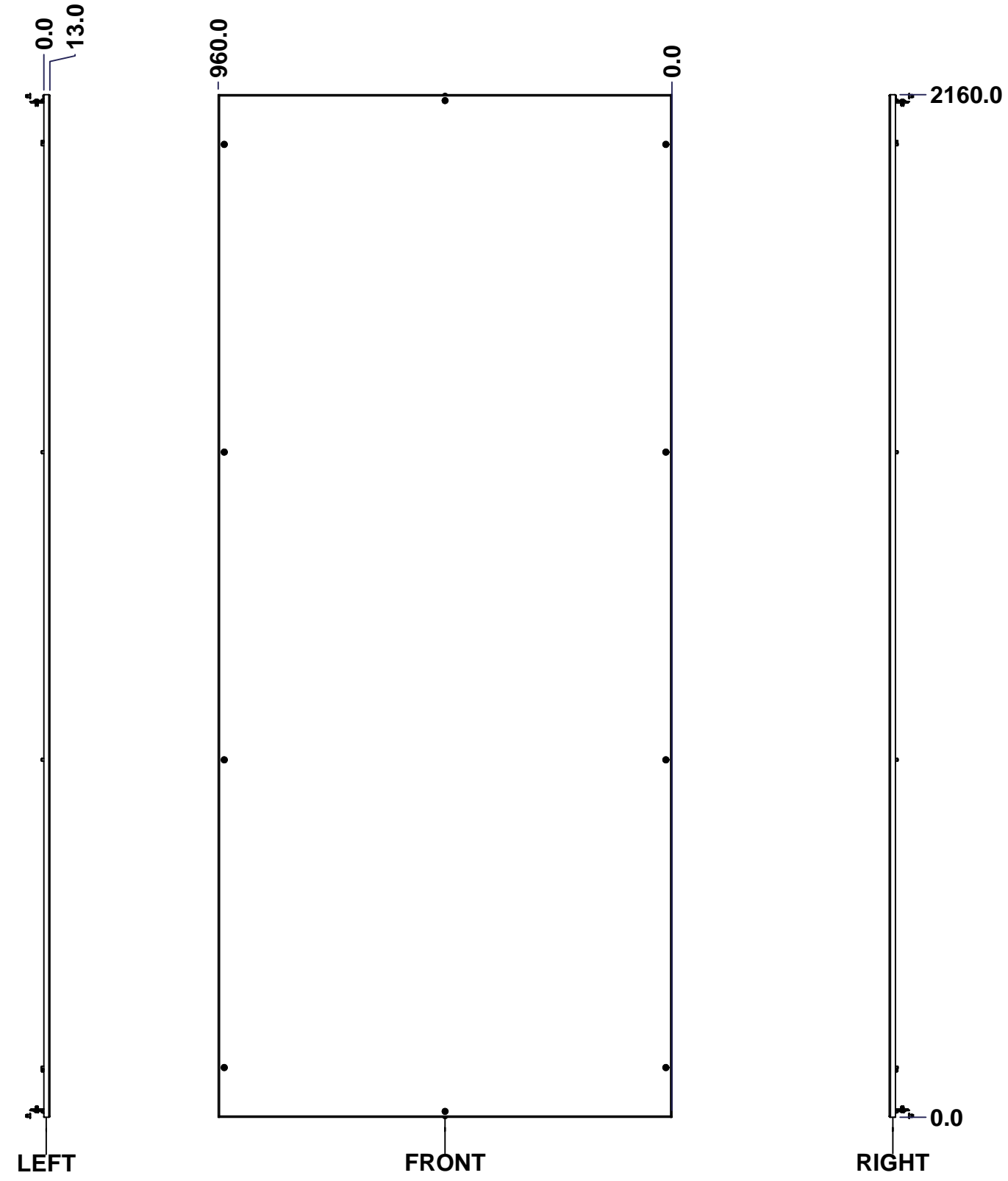
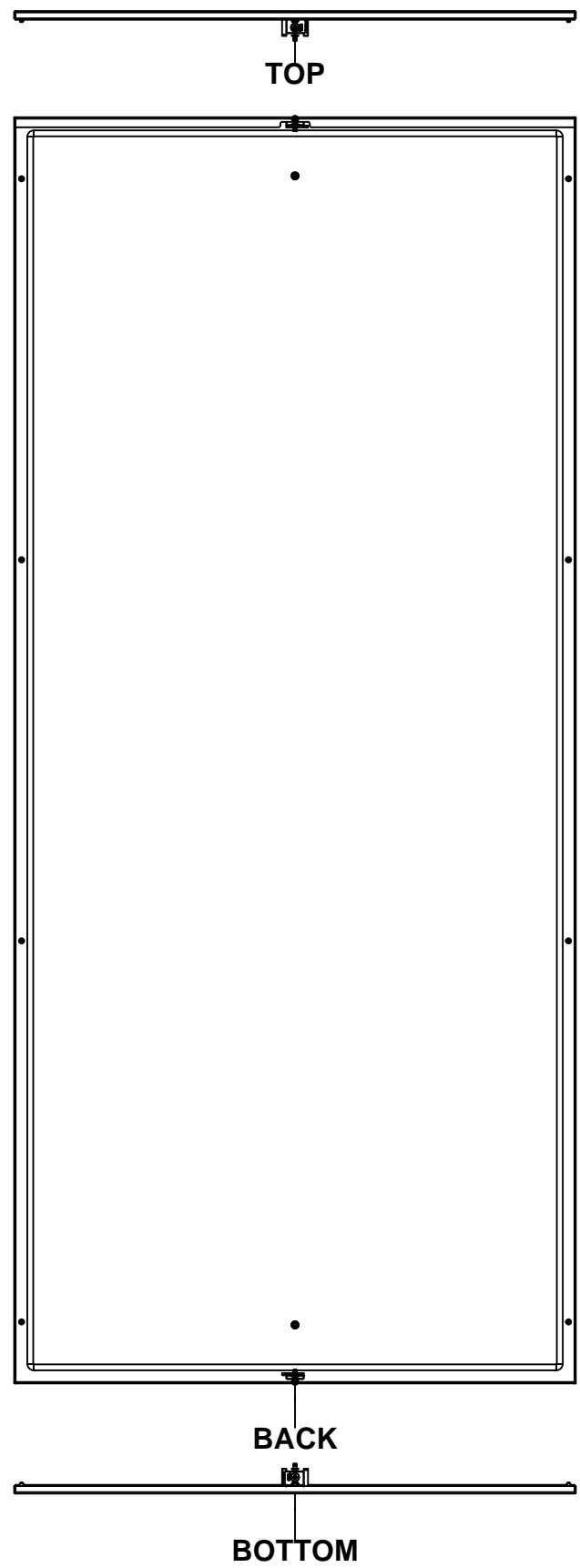


 Tél: (450) 979-4373 Fax: (450) 979-4626 www.exmweb.com		Flatness Aplatissement Max 3.0mm Projection 	
Customer Client		Date	
Drawn By Dessiné Par BoxCad: Annie		Date 24/02/2015	
Material Matière 14 Ga H.R.P. & O. (1.7mm)		Color Couleur Light Grey RAL7035	
Description 6500 MXC 2200mm x 1000mm Left		Finish Fini Rough Textured	
Part Number Numéro Pièce 6500MXK220710L		Detail Rev. Rev. 3	

Qty	Part Number	Rev	Description
1	STK-P-03820R	0	Powder Paint (Light Grey / Rough Textured)
2	STK-Q-77120	1	6500MX-Frame Rubber Plug
10	STK-Q-03072	2	M6 x 17mm Phillips Flat Head Screw
2	STK-Q-16080	0.1.1	M6 x 16mm Ground Stud
1	6500MXK220710LG	0	6500 MXC 2200mm x 1000mm Left Gasket
1	6500MXK220710L-P	0	6500 MXC 2200mm x 1000mm Left Part
2	STK-K-11010	3	Partial Fixed Bracket Kit
Parts List			

This drawing is confidential and must not be reproduced or used without the consent of EXM

Ce dessin est confidentiel et ne doit pas être reproduit ou utilisé sans le consentement de EXM



No.	Revisions	Date	By/Par

Isometric View

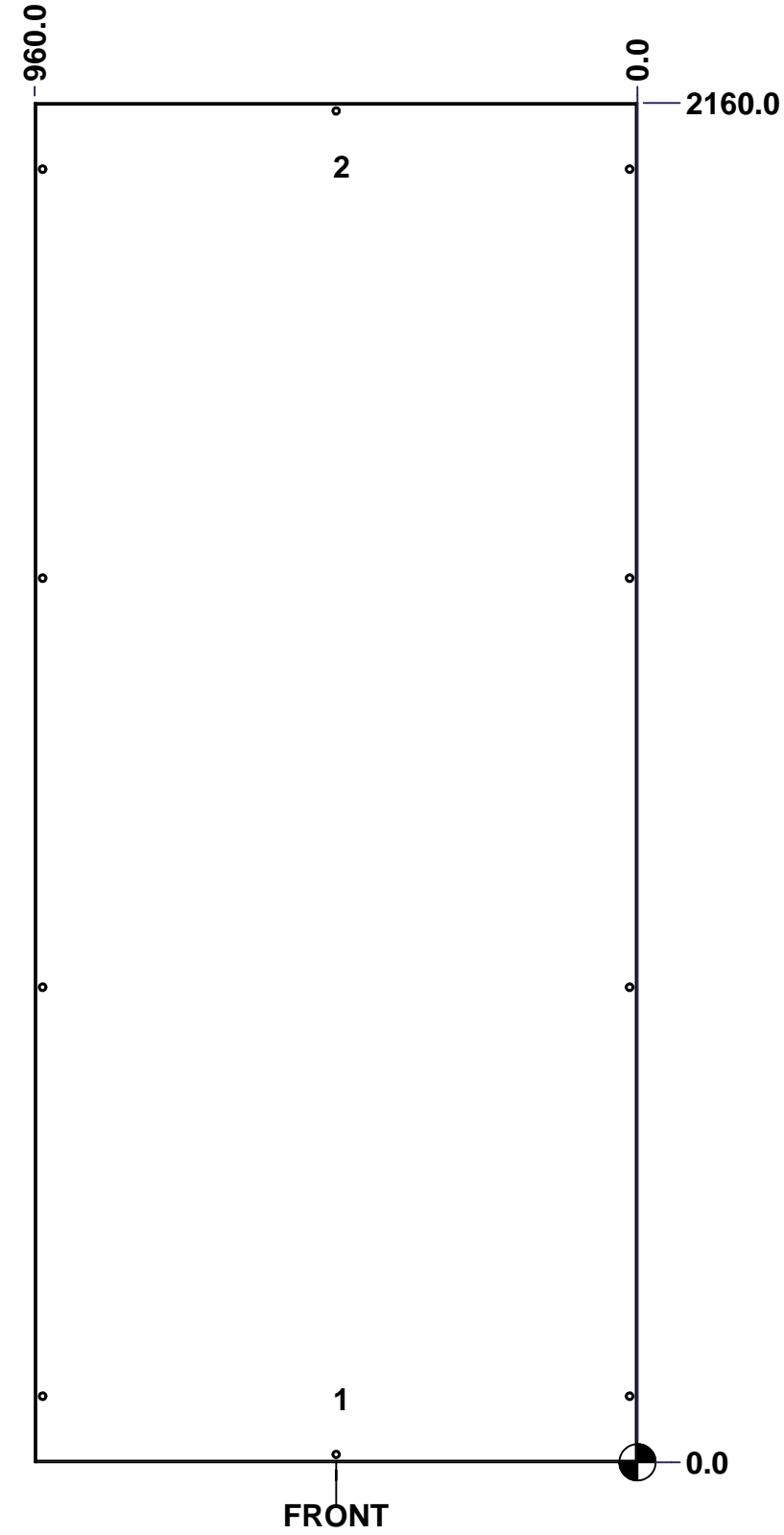
<p>Tél: (450) 979-4373 Fax: (450) 979-4626 www.exmweb.com</p>		Flatness Aplatissement	
		Max 3.0mm	
Customer Client		Projection	
Date			
Drawn By Dessiné Par		Date	
BoxCad: Annie		24/02/2015	
Material Matière		14 Ga H.R.P. & O. (1.7mm)	
Color Couleur		Light Grey RAL7035	Finish Fin
			Rough Textured
Description			Detail Rev.
6500 MXC 2200mm x 1000mm Right			
Part Number Numéro Pièce		Rev.	
6500MXK220710R		0	1 3

SEE BILL OF MATERIAL ON LAST PAGE

This drawing is confidential and must not be reproduced or used without the consent of EXM

Ce dessin est confidentiel et ne doit pas être reproduit ou utilisé sans le consentement de EXM

STANDARD FEATURES ARE NOT LISTED IN THIS HOLE TABLE			
HOLE TABLE - FRONT VIEW (CUSTOM FEATURE ONLY)			
CUT-OUT	XDIM	YDIM	DESCRIPTION
1	480.0	100.0	GND STUD M6 x 16mm (Inside)
2	480.0	2060.0	GND STUD M6 x 16mm (Inside)

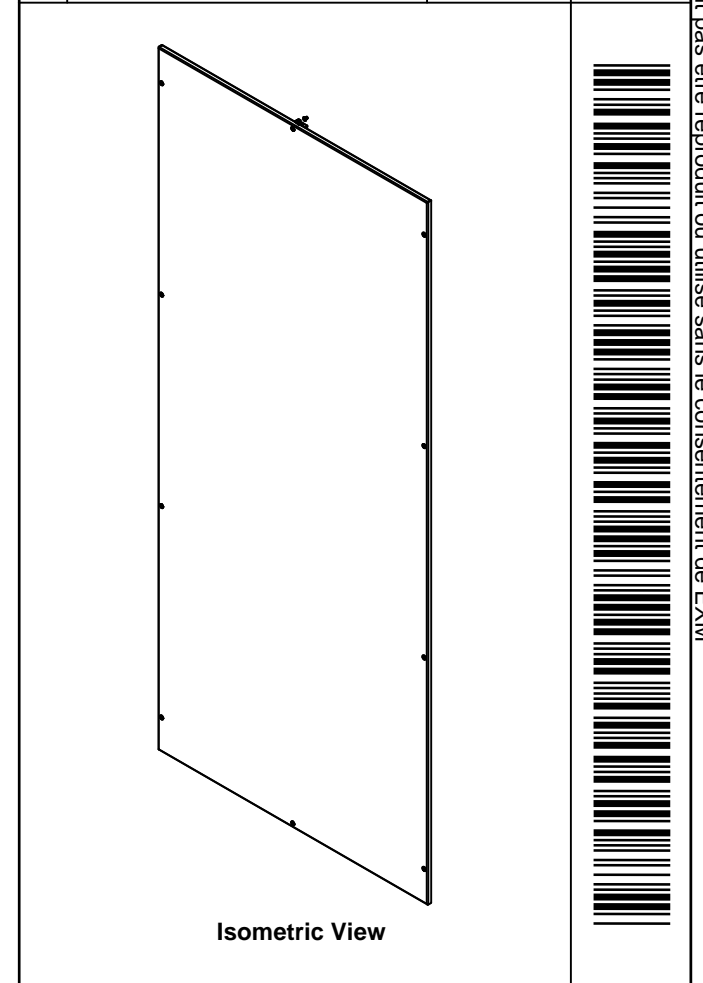



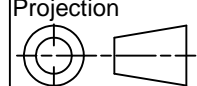
	Description	Status
	6500 MXC 2200mm x 1000mm Right	(NULL)
	Part Number	Rev.
	Numéro Pièce 6500MXK220710R	0
		2
		3

This drawing is confidential and must not be reproduced or used without the consent of EXM

Ce dessin est confidentiel et ne doit pas être reproduit ou utilisé sans le consentement de EXM

No.	Revisions	Date	By/Par

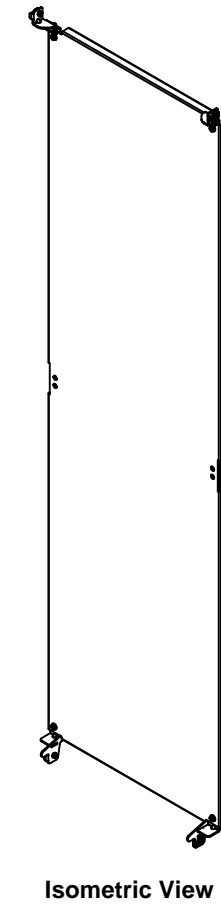
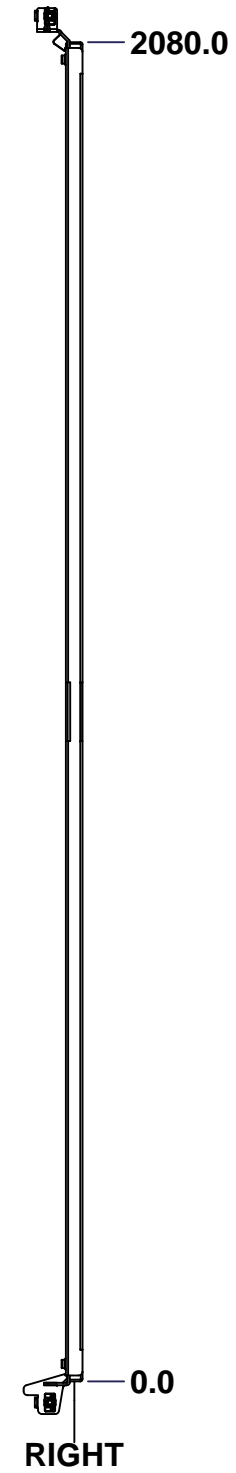
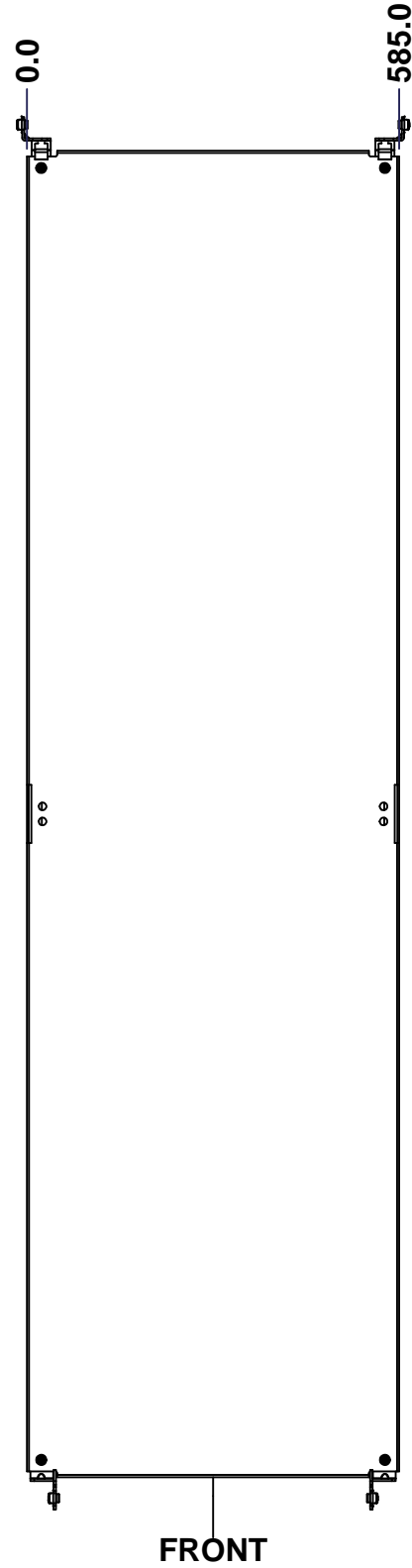
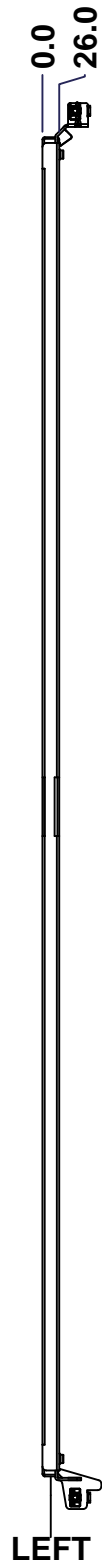
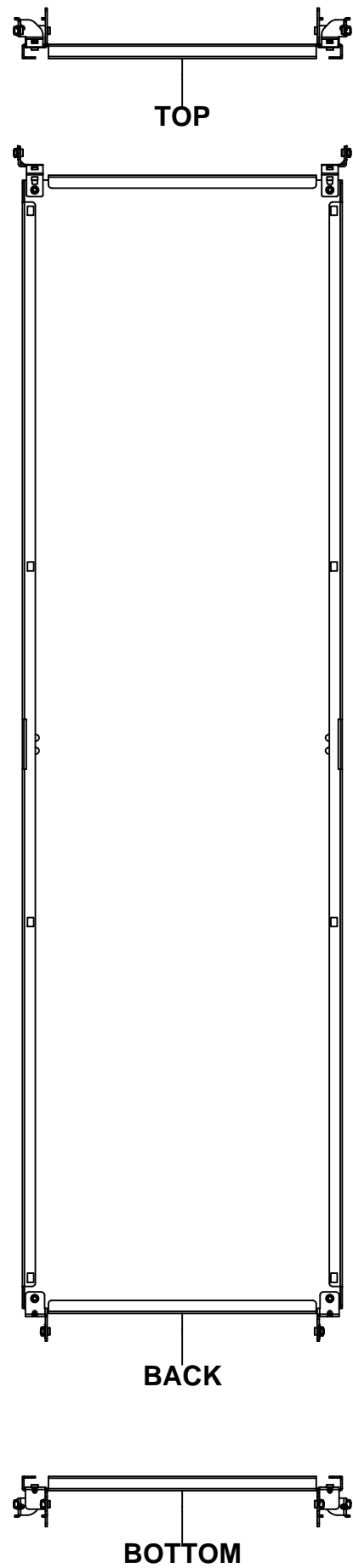


 Tél: (450) 979-4373 Fax: (450) 979-4626 www.exmweb.com		Flatness Aplatissement Max 3.0mm Projection 	
Customer Client		Date	
Drawn By Dessiné Par BoxCad: Annie		Date 24/02/2015	
Material Matière 14 Ga H.R.P. & O. (1.7mm)			
Color Couleur Light Grey RAL7035		Finish Fini Rough Textured	
Description		Detail Rev.	
6500 MXC 2200mm x 1000mm Right			
Part Number Numéro Pièce 6500MXK220710R		Rev. 0	3 3

Qty	Part Number	Rev	Description
1	STK-P-03820R	0	Powder Paint (Light Grey / Rough Textured)
2	STK-Q-77120	1	6500MX-Frame Rubber Plug
10	STK-Q-03072	2	M6 x 17mm Phillips Flat Head Screw
2	STK-Q-16080	0.1.1	M6 x 16mm Ground Stud
1	6500MXK220710LG	0	6500 MXC 2200mm x 1000mm Left Gasket
1	6500MXK220710L-P	0	6500 MXC 2200mm x 1000mm Left Part
2	STK-K-11010	3	Partial Fixed Bracket Kit
Parts List			

This drawing is confidential and must not be reproduced or used without the consent of EXM

Ce dessin est confidentiel et ne doit pas être reproduit ou utilisé sans le consentement de EXM



Isometric View



No.	Revisions	Date	By/Par

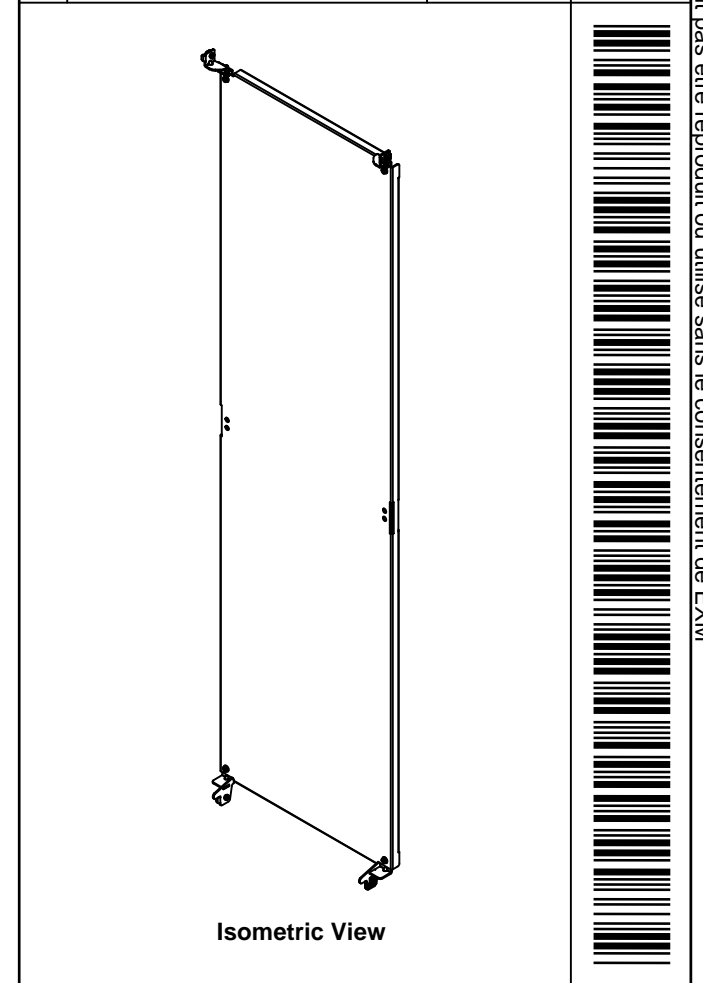
Tél: (450) 979-4373 Fax: (450) 979-4626 www.exmweb.com		Flatness Aplatissement Max 3.0mm Projection
Customer Client	Date	
Drawn By Dessiné Par	BoxCad: Annie	Date 24/02/2015
Material Matière	12 Ga Galvanized (2.5mm)	
Color Couleur	Unpainted	Finish Finis Unpainted
Description	Detail Rev.	
6500 MXM 2200mm x 700mm Back Inner Panel		
Part Number Numéro Pièce	Rev.	
6500MXK220710BIP	0	1 / 3


SEE BILL OF MATERIAL ON LAST PAGE

This drawing is confidential and must not be reproduced or used without the consent of EXM

Ce dessin est confidentiel et ne doit pas être reproduit ou utilisé sans le consentement de EXM

No.	Revisions	Date	By/Par



 Tél: (450) 979-4373 Fax: (450) 979-4626 www.exmweb.com		Flatness Aplatissement	
		Max 3.0mm	
Customer Client		Date	
Drawn By Dessiné Par		Date	
BoxCad: Annie		24/02/2015	
Material Matière			
12 Ga Galvanized (2.5mm)			
Color Couleur		Finish Fini	
Unpainted		Unpainted	
Description			Detail Rev.
6500 MXM 2200mm x 700mm Back Inner Panel			
Part Number Numéro Pièce		Rev.	3
6500MXK220710BIP		0	3

Qty	Part Number	Rev	Description
1	STK-A-49005	0	6500MXM - Bottom Inner Panel Support Kit (Right)
1	STK-A-49000	0	6500MXM - Bottom Inner Panel Support Kit (Left)
1	STK-A-49015	0	6500MXM - Top Inner Panel Support Kit (Right)
1	STK-A-49010	0	6500MXM - Top Inner Panel Support Kit (Left)
1	6500MXK220710BIP-P	0	6500 MXM 2200mm x 700mm Back Inner Panel Part
Parts List			