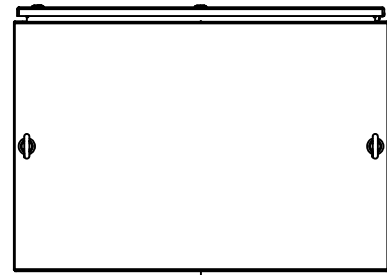
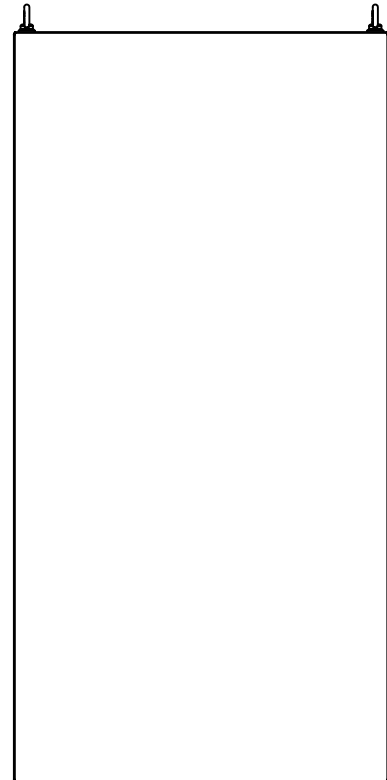


This drawing is confidential and must not be reproduced or used without the consent of EXM

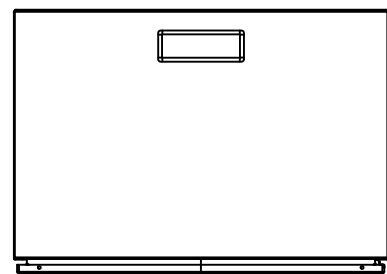
Ce dessin est confidentiel et ne doit pas être reproduit ou utilisé sans le consentement de EXM



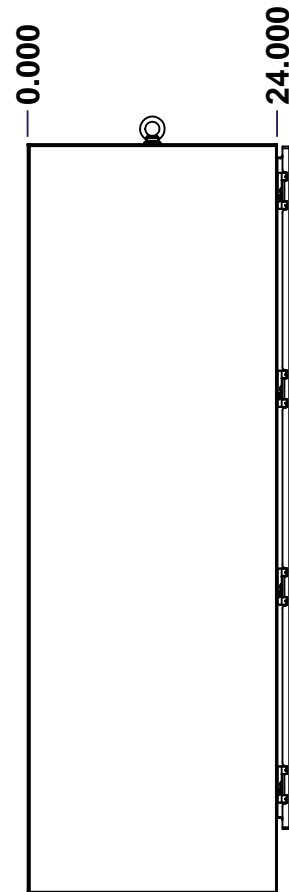
TOP



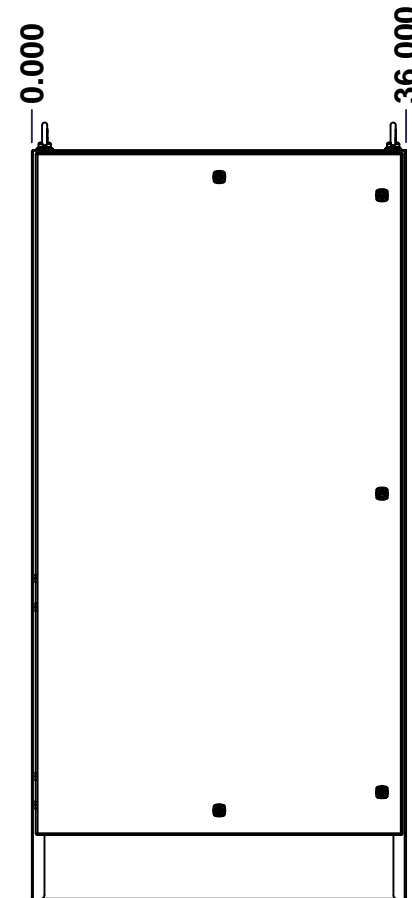
BACK



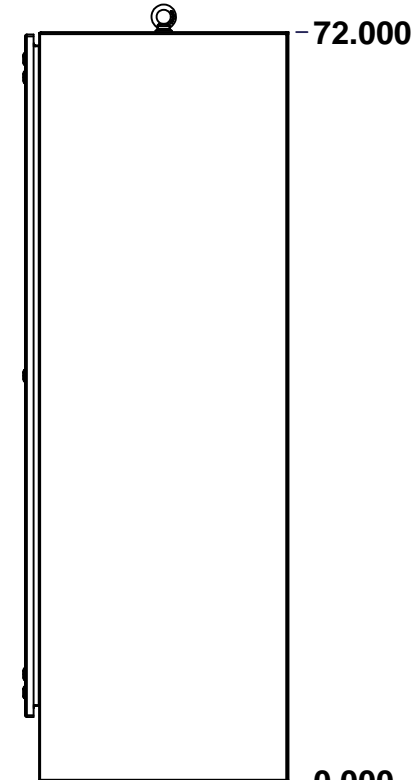
BOTTOM



LEFT

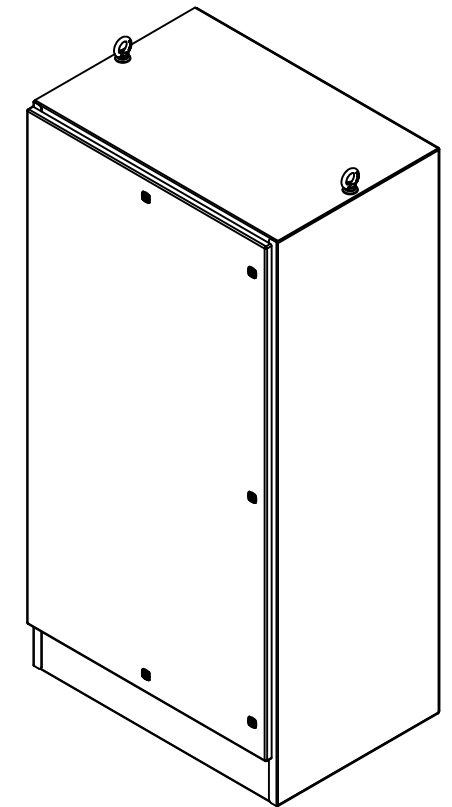


FRONT




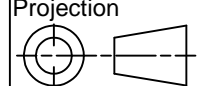
RIGHT

No.	Revisions	Date	By/Par



Isometric View



 Tél: (450) 979-4373 Fax: (450) 979-4626 www.exmweb.com		Flatness Aplatissement Max 3.0mm Projection 
Customer Client	Date	Date
Drawn By Dessiné Par	BoxCad: BoxCad	07-Oct-19
Material Matière 12 Ga Cold Rolled A1008 CS Type B (2.5mm)		
Color Couleur	Asa-61 Grey	Finish Fini Smooth
Description 9412 72" x 36" x 24" Assembly		Detail Rev.
Part Number Numéro Pièce	9412723624	Rev. 1 0

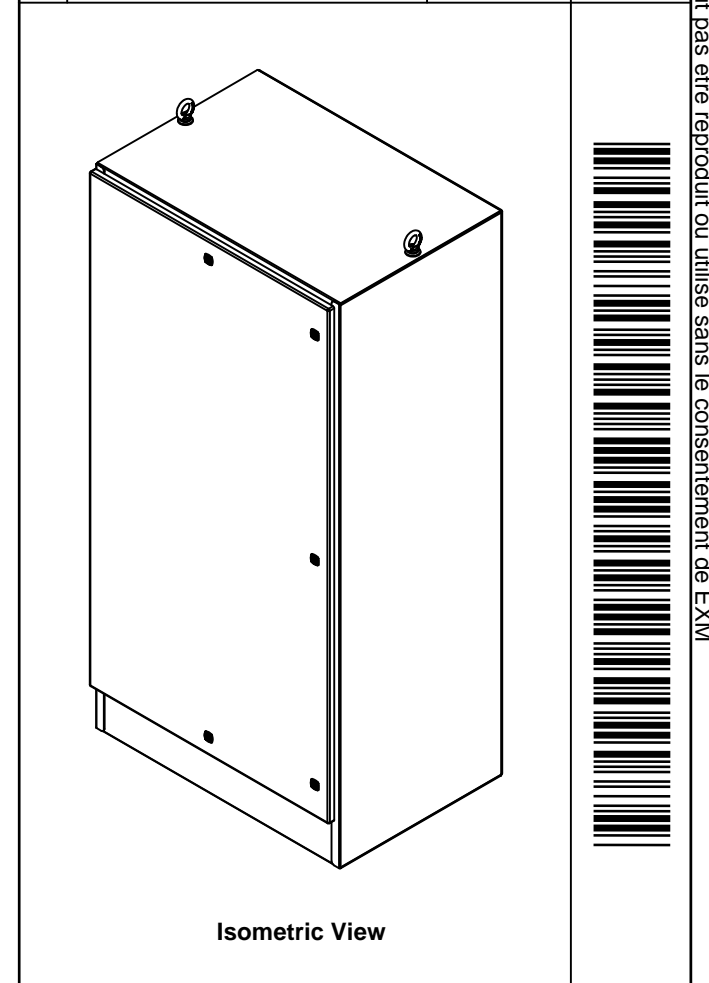
SEE BILL OF MATERIAL ON LAST PAGE

This drawing is confidential and must not be reproduced or used without the consent of EXM

Ce dessin est confidentiel et ne doit pas être reproduit ou utilisé sans le consentement de EXM


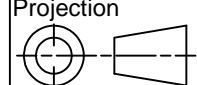
NOTE	
ITEM	DESCRIPTION
1	NEMA 4/12 Enclosure
2	C/W Standard ground studs on box and cover
3	W/O Standard door stiffener
4	W/O Inner panel
5	C/W Standard inner panel mounting struts
6	C/W Eyebolts
7	C/W Struts installed (Included)

No.	Revisions	Date	By/Par



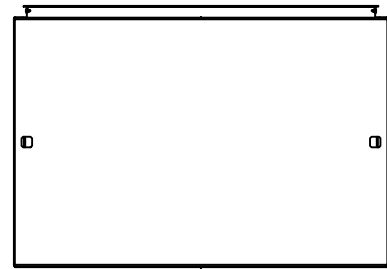
PACKING		
ITEM	QTY	DESCRIPTION
Cardboard sleeve	2	Top and Bottom
Cardboard strip	2	Between back of enclosure and inner panel
Plastic bag	1	To protect cover surface and inside gasket
Cardboard corner	4	To reinforced for the plastic strap tightening
Plastic strap - Black	2	To Squeeze 2 cardboard sleeve together
Packaging label	3	White label with PN
Plastic strap- Green	2	To secure the enclosure to the wood pallet
Wood Pallet	1	2" deeper and 3" larger than enclosure size

1	9412723624GP	0	9412 Gland Plate
1	880EB14	2	Eye Bolt M14 (Pack of 2)
1	9412723624C	0	9412 72" x 36" Cover
1	9412723624B	0	9412 72" x 36" x 24" Body
4	STK-Q-04050-10	8	M6 x 10mm Hexagon Socket Head Machine Screw with Nyseal
Qty	Part Number	Rev	Description
Parts List			

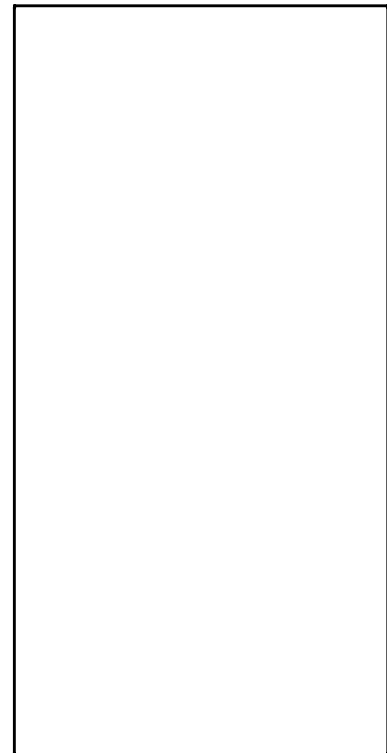
 Tél: (450) 979-4373 Fax: (450) 979-4626 www.exmweb.com		Flatness Aplatissement Max 3.0mm Projection 
Customer Client	Date	
Drawn By Dessiné Par	BoxCad: BoxCad	Date 07-Oct-19
Material Matière	12 Ga Cold Rolled A1008 CS Type B (2.5mm)	
Color Couleur	Asa-61 Grey	Finish Fini Smooth
Description	9412 72" x 36" x 24" Assembly	
Part Number Numéro Pièce	9412723624	Rev. 2
		0

This drawing is confidential and must not be reproduced or used without the consent of EXM

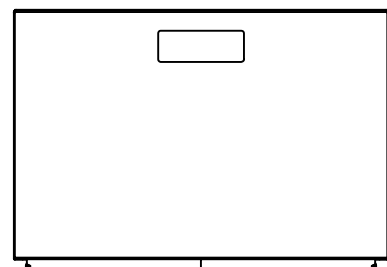
Ce dessin est confidentiel et ne doit pas être reproduit ou utilisé sans le consentement de EXM



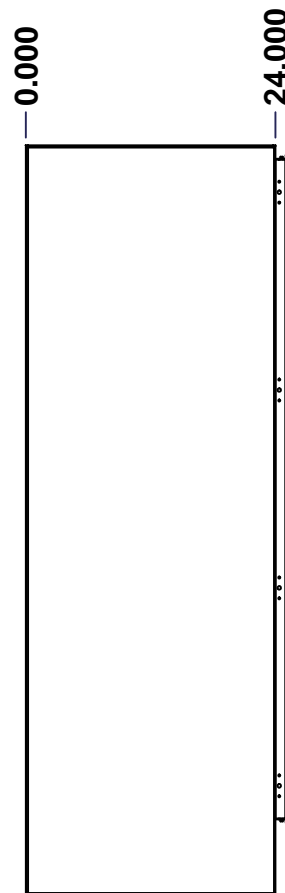
TOP



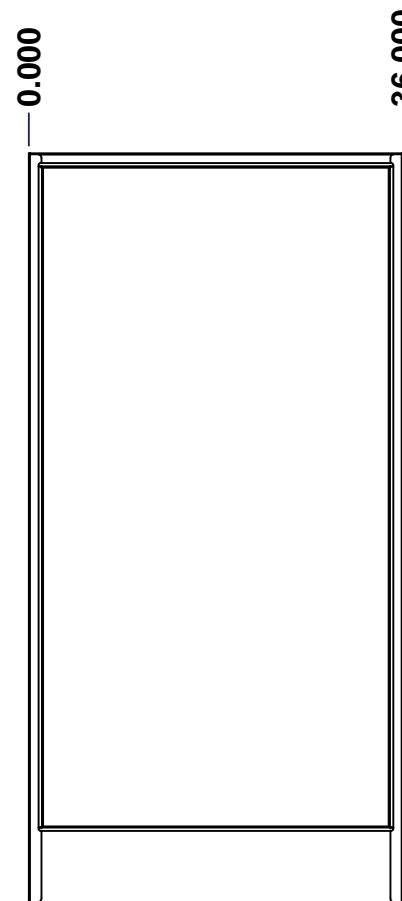
BACK



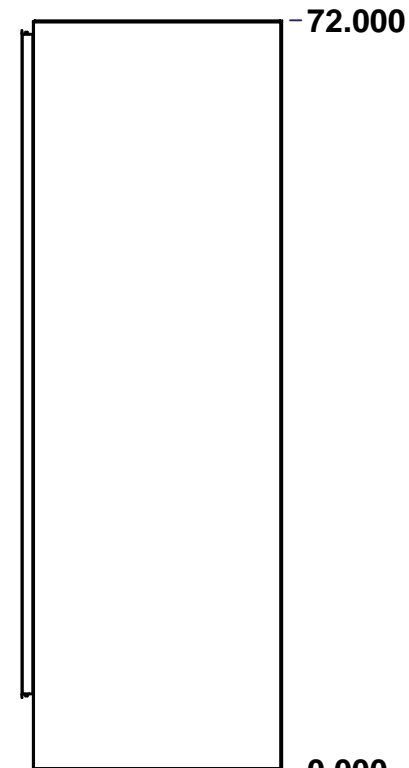
BOTTOM



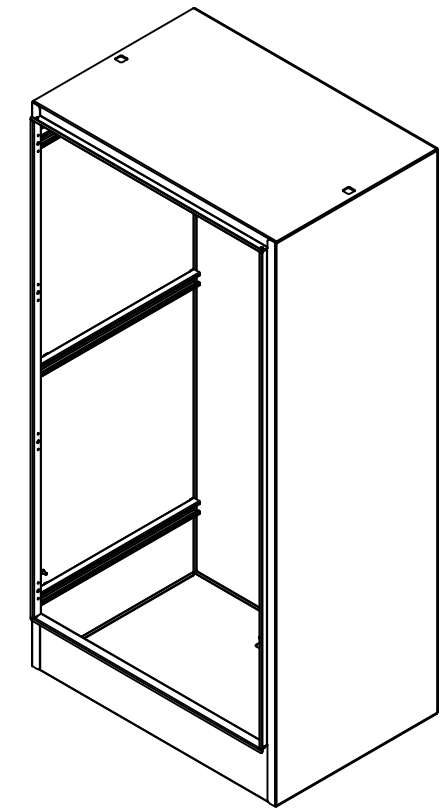
LEFT



FRONT




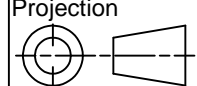
RIGHT



Isometric View



No.	Revisions	Date	By/Par

 Tél: (450) 979-4373 Fax: (450) 979-4626 www.exmweb.com		Flatness Aplatissement Max 3.0mm Projection 
Customer Client	Date	
Drawn By Dessiné Par	BoxCad: BoxCad	Date 07-Oct-19
Material Matière 12 Ga Cold Rolled A1008 CS Type B (2.5mm)		
Color Couleur	Asa-61 Grey	Finish Fini Smooth
Description 9412 72" x 36" x 24" Body		Detail Rev.
Part Number Numéro Pièce	9412723624B	Rev. 1 0

SEE BILL OF MATERIAL ON LAST PAGE

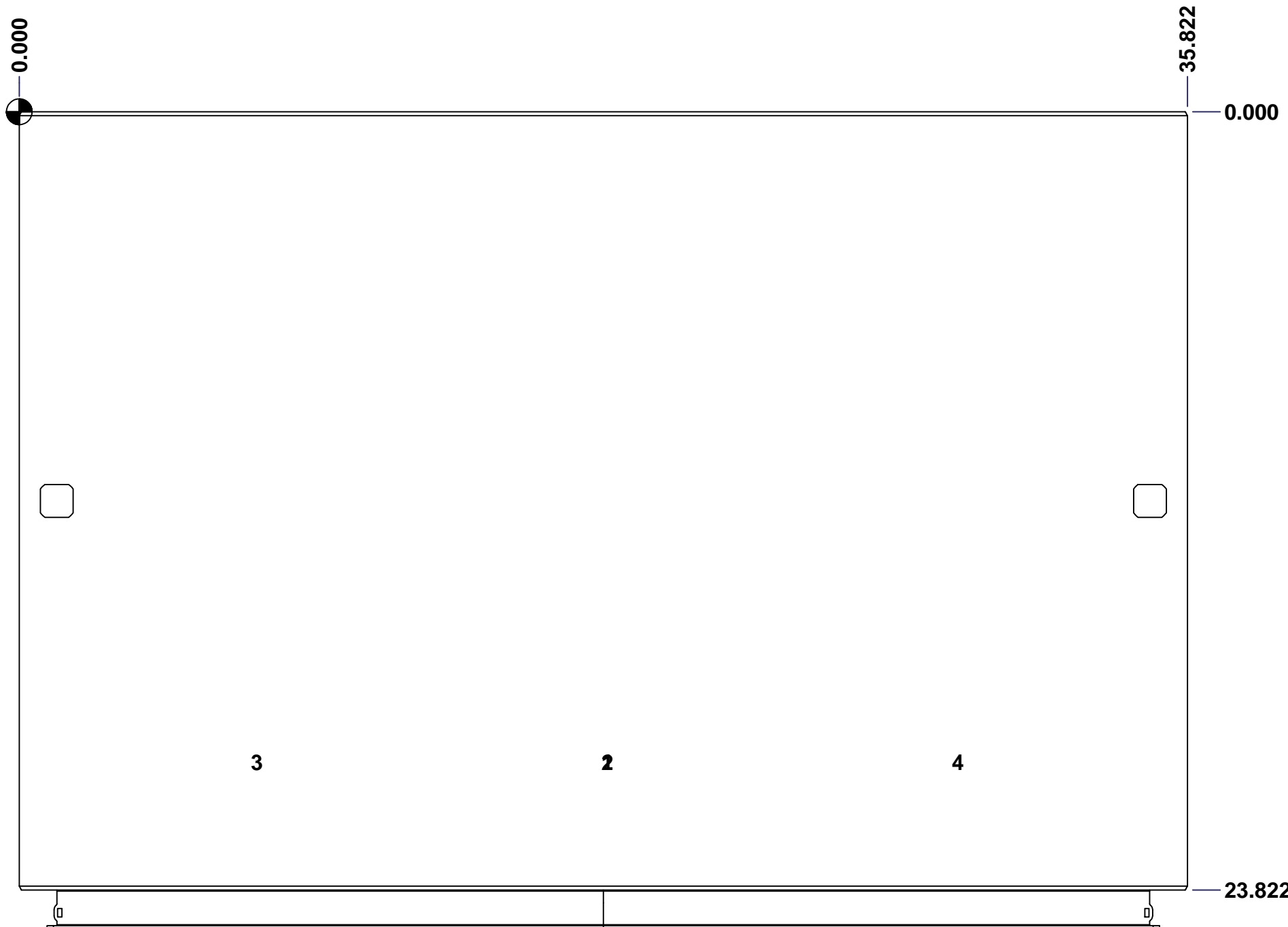
This drawing is confidential and must not be reproduced or used without the consent of EXM

Ce dessin est confidentiel et ne doit pas être reproduit ou utilisé sans le consentement de EXM

STANDARD FEATURES ARE NOT LISTED IN THIS HOLE TABLE

HOLE TABLE - TOP VIEW (CUSTOM FEATURE ONLY)

CUT-OUT	XDIM	YDIM	DESCRIPTION
1	17.911	19.911	Struts CR400 27.500" (Inside)
2	17.911	19.911	STUDS M6 x 10mm (Inside)
3	7.161	19.911	STUDS M6 x 10mm (Inside)
4	28.661	19.911	STUDS M6 x 10mm (Inside)



TOP

	Description	Status	
	9412 72" x 36" x 24" Body	Released	
	Part Number Numéro Pièce	Rev.	
	9412723624B	0	2 / 7

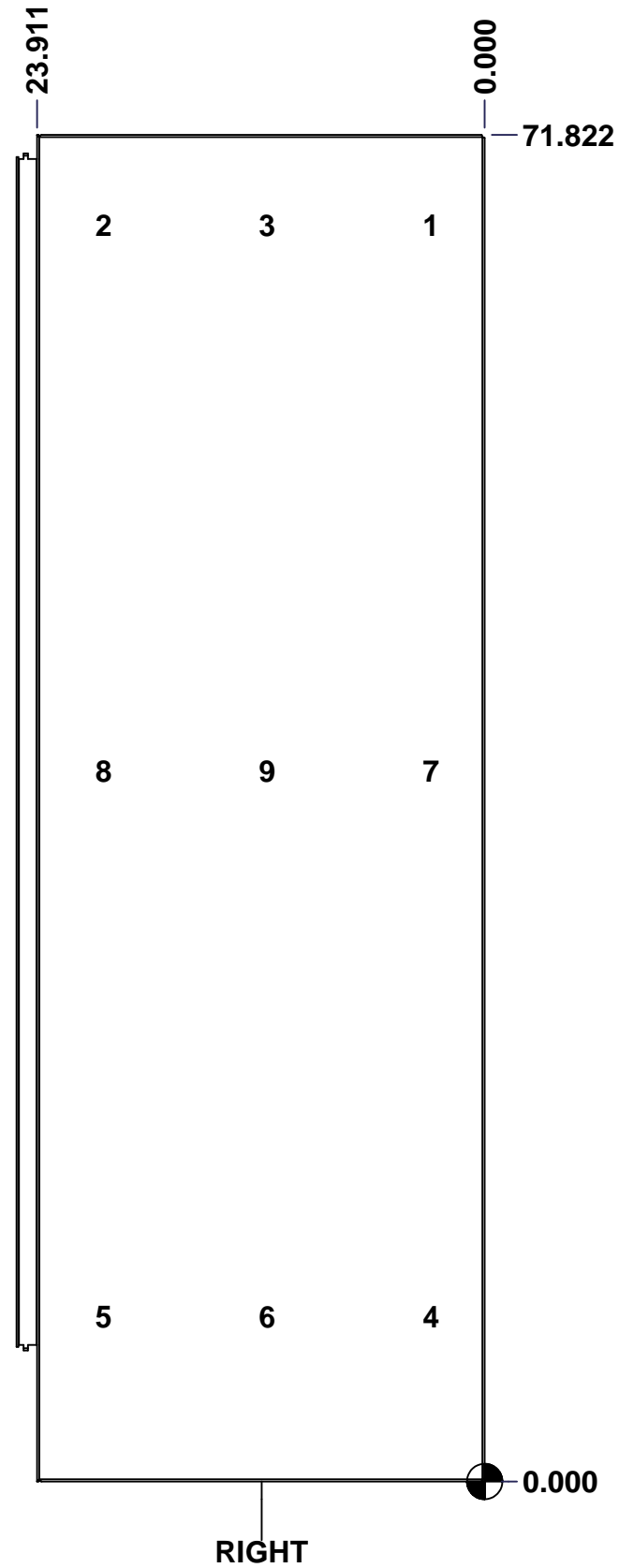
This drawing is confidential and must not be reproduced or used without the consent of EXM

Ce dessin est confidentiel et ne doit pas être reproduit ou utilisé sans le consentement de EXM

STANDARD FEATURES ARE NOT LISTED IN THIS HOLE TABLE

HOLE TABLE - RIGHT VIEW (CUSTOM FEATURE ONLY)

CUT-OUT	XDIM	YDIM	DESCRIPTION
1	3.161	67.036	STUDS M6 x 10mm (Inside)
2	20.661	67.036	STUDS M6 x 10mm (Inside)
3	11.911	67.036	STUDS M6 x 10mm (Inside)
4	3.161	8.786	STUDS M6 x 10mm (Inside)
5	20.661	8.786	STUDS M6 x 10mm (Inside)
6	11.911	8.786	STUDS M6 x 10mm (Inside)
7	3.161	37.911	STUDS M6 x 10mm (Inside)
8	20.661	37.911	STUDS M6 x 10mm (Inside)
9	11.911	37.911	STUDS M6 x 10mm (Inside)



	Description		Status			
	9412 72" x 36" x 24" Body		Released			
Part Number Numéro Pièce		Rev.	<table border="1" style="width: 100%;"> <tr> <td style="text-align: center;">3</td> </tr> <tr> <td style="text-align: center;">7</td> </tr> </table>		3	7
3						
7						
9412723624B		0				

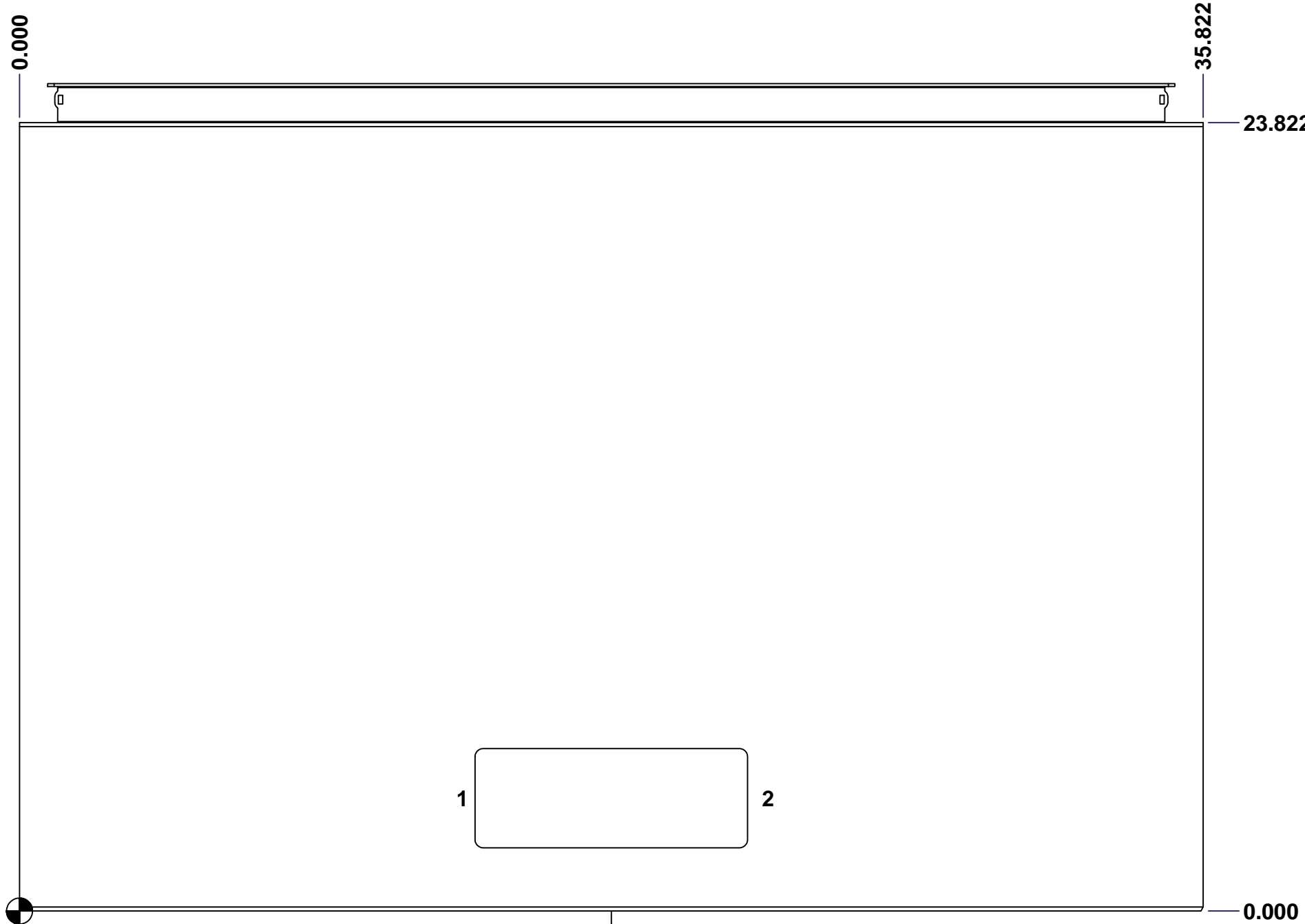
This drawing is confidential and must not be reproduced or used without the consent of EXM

Ce dessin est confidentiel et ne doit pas être reproduit ou utilisé sans le consentement de EXM

STANDARD FEATURES ARE NOT LISTED IN THIS HOLE TABLE

HOLE TABLE - BOTTOM VIEW (CUSTOM FEATURE ONLY)

CUT-OUT	XDIM	YDIM	DESCRIPTION
1	13.286	3.411	GP STUD M6 x 16mm (Inside)
2	22.536	3.411	GP STUD M6 x 16mm (Inside)



BOTTOM

	Description	Status	
	9412 72" x 36" x 24" Body	Released	
	Part Number Numéro Pièce	Rev.	
	9412723624B	0	4 / 7

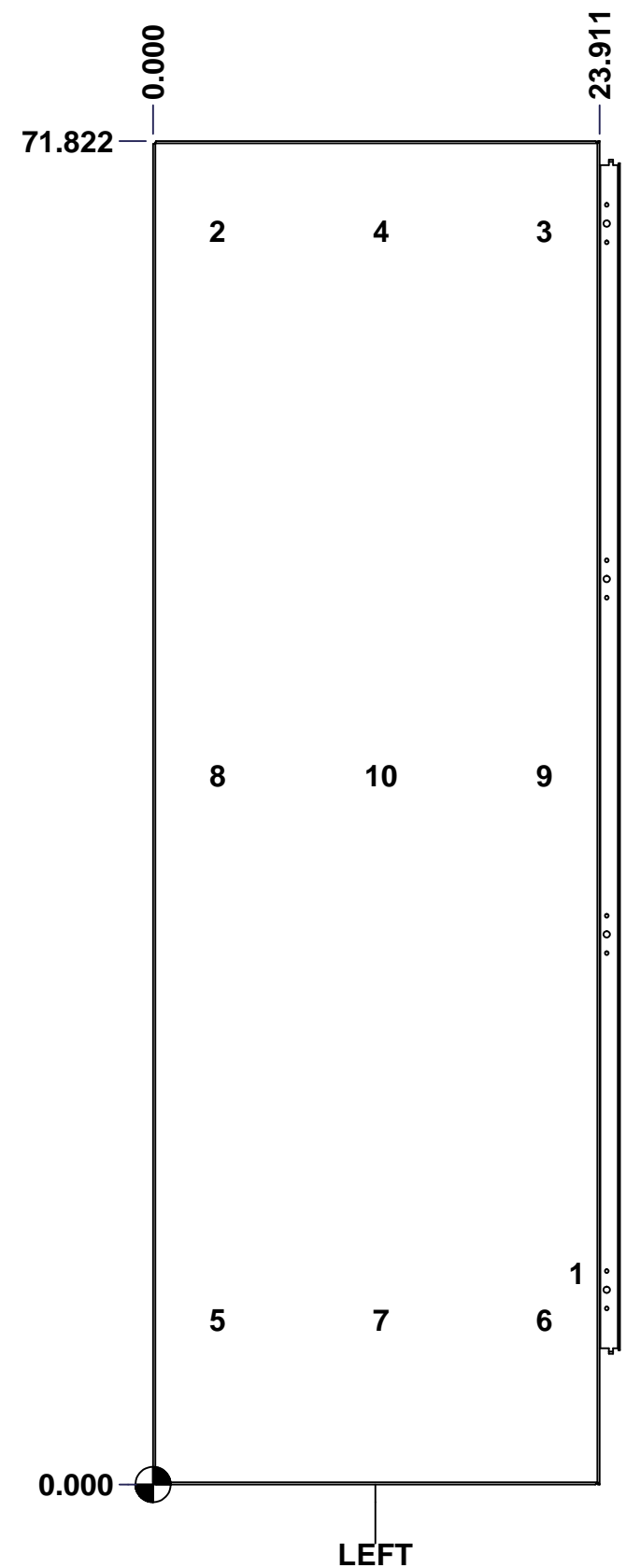
This drawing is confidential and must not be reproduced or used without the consent of EXM

Ce dessin est confidentiel et ne doit pas être reproduit ou utilisé sans le consentement de EXM

STANDARD FEATURES ARE NOT LISTED IN THIS HOLE TABLE

HOLE TABLE - LEFT VIEW (CUSTOM FEATURE ONLY)

CUT-OUT	XDIM	YDIM	DESCRIPTION
1	22.411	11.286	GND STUD M6 x 16mm (Inside)
2	3.161	67.036	STUDS M6 x 10mm (Inside)
3	20.661	67.036	STUDS M6 x 10mm (Inside)
4	11.911	67.036	STUDS M6 x 10mm (Inside)
5	3.161	8.786	STUDS M6 x 10mm (Inside)
6	20.661	8.786	STUDS M6 x 10mm (Inside)
7	11.911	8.786	STUDS M6 x 10mm (Inside)
8	3.161	37.911	STUDS M6 x 10mm (Inside)
9	20.661	37.911	STUDS M6 x 10mm (Inside)
10	11.911	37.911	STUDS M6 x 10mm (Inside)

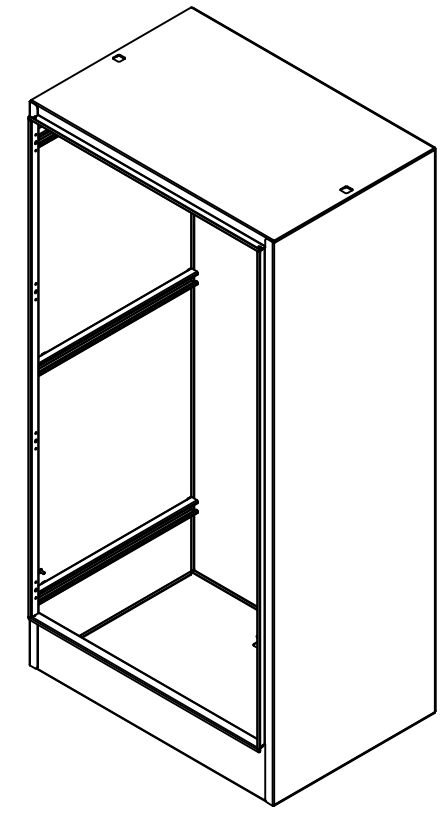


	Description	Status
	9412 72" x 36" x 24" Body	Released
	Part Number Numéro Pièce	Rev.
	9412723624B	0
		5
		7

This drawing is confidential and must not be reproduced or used without the consent of EXM

Ce dessin est confidentiel et ne doit pas être reproduit ou utilisé sans le consentement de EXM


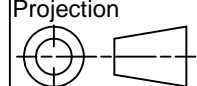
No.	Revisions	Date	By/Par



Isometric View

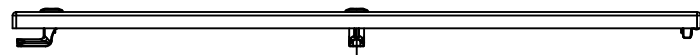


21	STK-Q-16030	0	Stud M6 x 10mm
1	CR400MS_27.5	0	Commercial Roll Mild Steel (27.5in long)
1	STK-P-02400S	0	Powder Paint (Asa-61 Grey / Smooth)
3	STK-Q-52200-24	2	Sasco Strut S5 (21.500" Long)
3	STK-Q-52250-24	2	Sasco Strut S5 (23.500" Long)
1	9412723624BT-P	0	9412 36" x 24" Bottom Part
1	9412723624T-P	0	9412 36" x 24" Top Part
1	9412723624RS-P	0	9412 72" x 36" Right Part
1	9412723624LS-P	0	9412 72" x 36" Left Part
1	9412723624B-P	0	9412 72" x 36" Back Part
21	STK-Q-07220	1	M6 Nylon Insert Lock Nut
3	STK-Q-16080	0	Ground Stud M6 x 16mm
Qty	Part Number	Rev	Description
Parts List			

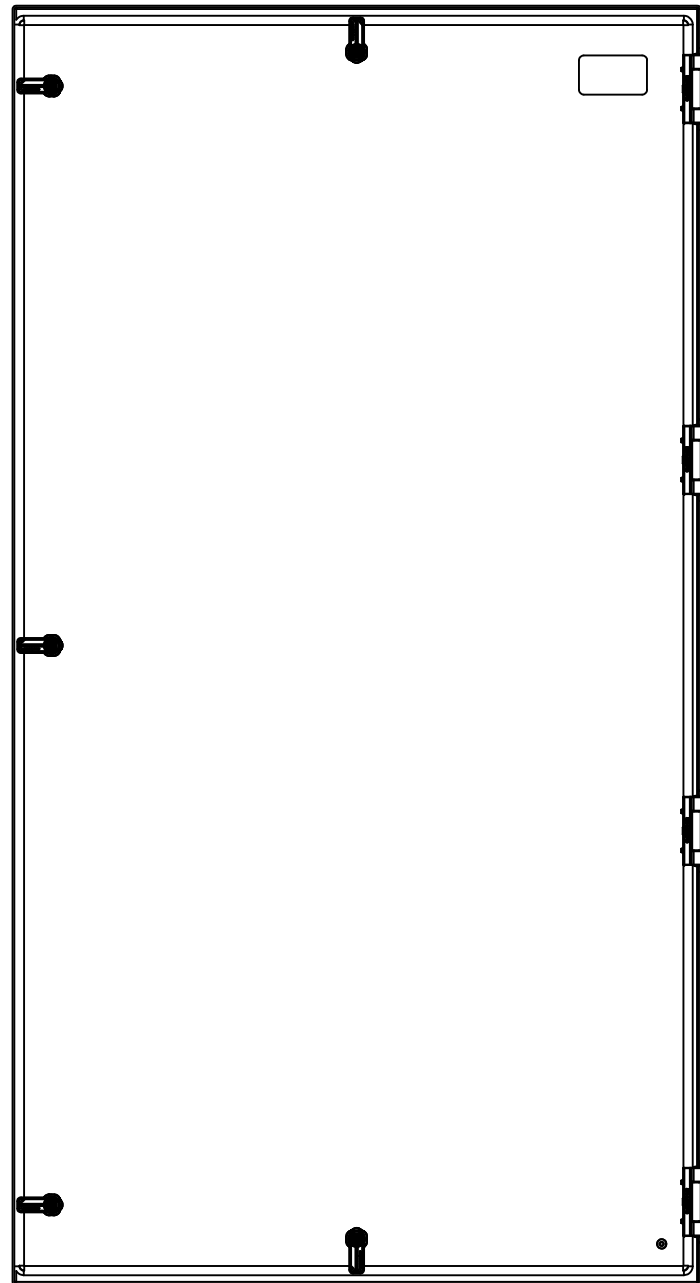
 Tél: (450) 979-4373 Fax: (450) 979-4626 www.exmweb.com	Flatness Aplatissement Max 3.0mm	
	Projection 	
Customer Client	Date	
Drawn By Dessiné Par	BoxCad: BoxCad	Date 07-Oct-19
Material Matière	12 Ga Cold Rolled A1008 CS Type B (2.5mm)	
Color Couleur	Asa-61 Grey	Finish Fini Smooth
Description	Detail Rev.	
9412 72" x 36" x 24" Body		
Part Number Numéro Pièce	Rev.	2
9412723624B	0	2

This drawing is confidential and must not be reproduced or used without the consent of EXM

Ce dessin est confidentiel et ne doit pas être reproduit ou utilisé sans le consentement de EXM



TOP

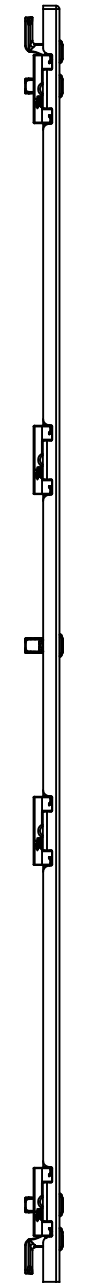


BACK



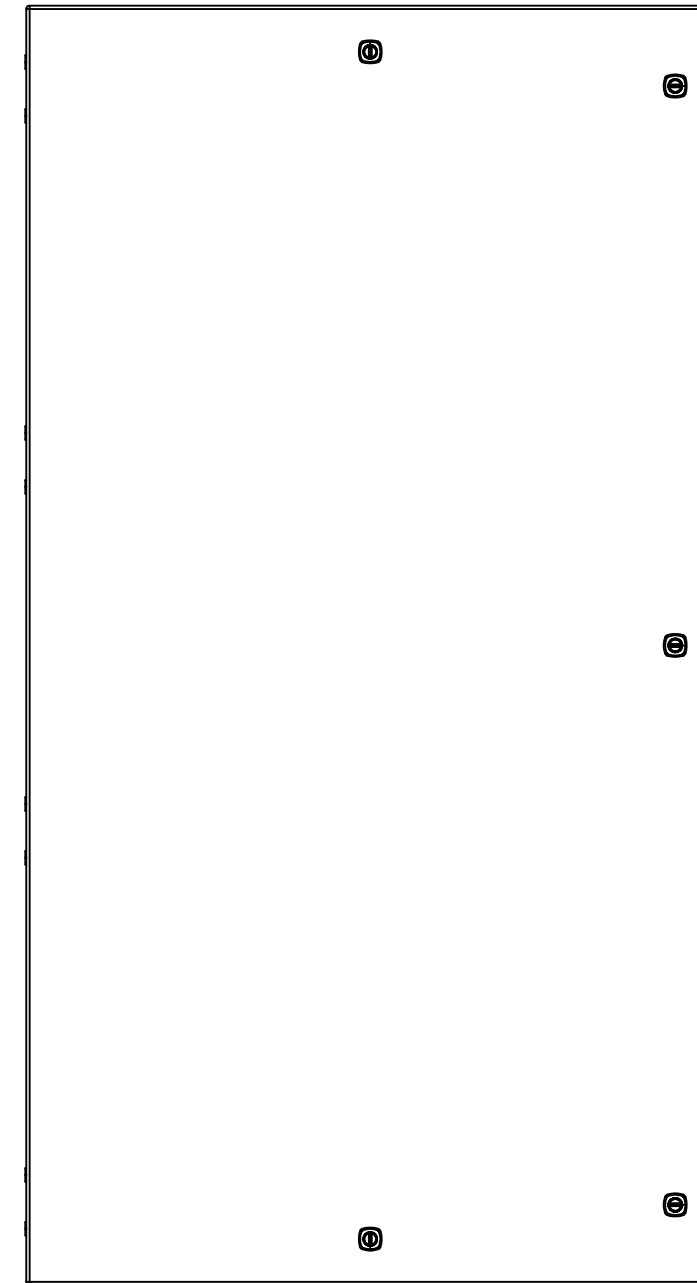
BOTTOM

0.000
0.835



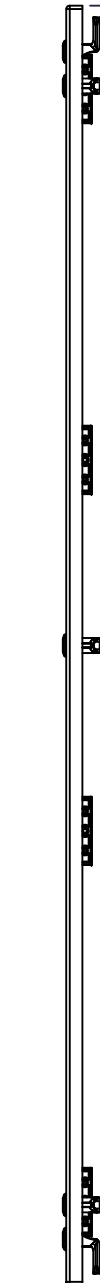
LEFT

0.000
35.312



FRONT

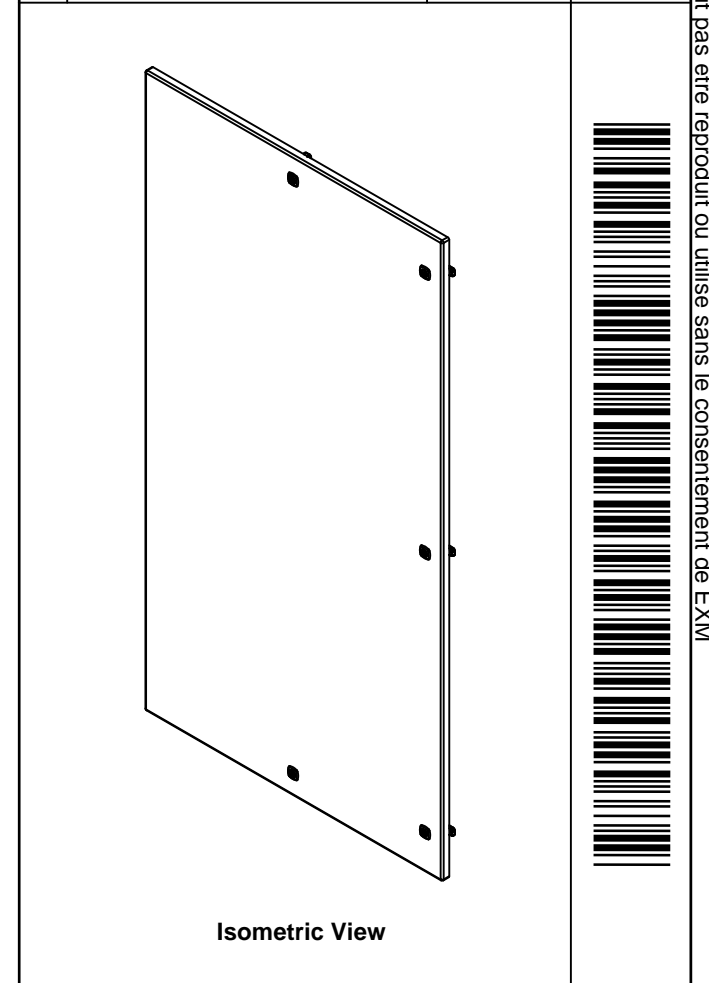
65.549


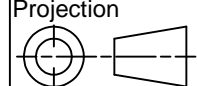


RIGHT

0.000

No.	Revisions	Date	By/Par



 Tél: (450) 979-4373 Fax: (450) 979-4626 www.exmweb.com		Flatness Aplatissement			
		Max 3.0mm			
Customer Client		Projection			
Date					
Drawn By Dessiné Par BoxCad: BoxCad		Date 07-Oct-19			
Material Matière 12 Ga Cold Rolled A1008 CS Type B (2.5mm)					
Color Couleur Asa-61 Grey		Finish Fini Smooth			
Description 9412 72" x 36" Cover			Detail Rev.		
Part Number Numéro Pièce 9412723624C		Rev. 0	<table border="1" style="width: 100%;"> <tr> <td style="width: 50%; text-align: center;">1</td> <td style="width: 50%; text-align: center;">3</td> </tr> </table>	1	3
1	3				

SEE BILL OF MATERIAL ON LAST PAGE

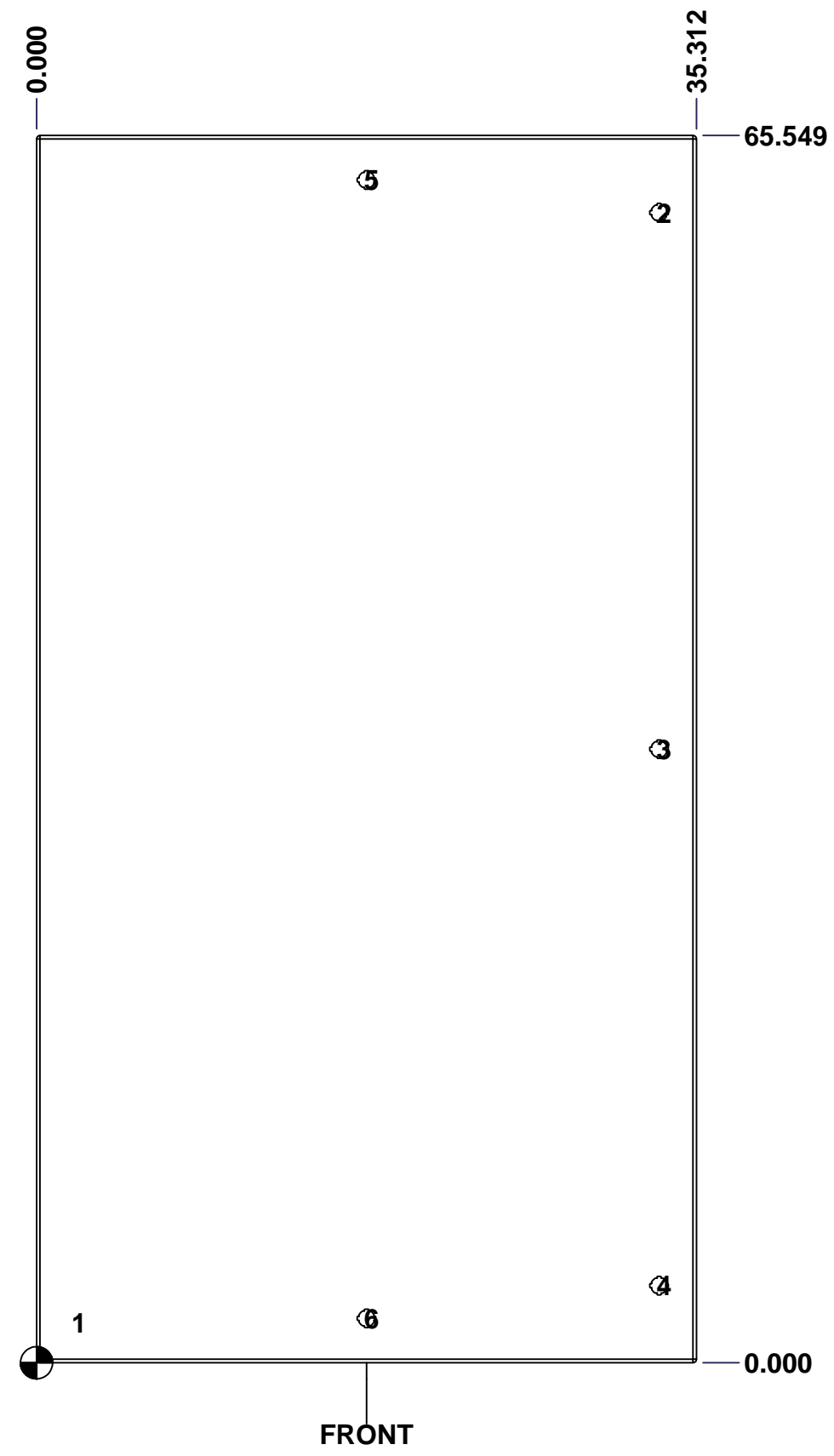
This drawing is confidential and must not be reproduced or used without the consent of EXM

Ce dessin est confidentiel et ne doit pas être reproduit ou utilisé sans le consentement de EXM

STANDARD FEATURES ARE NOT LISTED IN THIS HOLE TABLE

HOLE TABLE - FRONT VIEW (CUSTOM FEATURE ONLY)

CUT-OUT	XDIM	YDIM	DESCRIPTION
1	2.000	2.118	GND STUD M6 x 16mm (Inside)
2	33.312	61.430	LOCK 889 SCQ4-SL @ 0.0°
3	33.312	32.774	LOCK 889 SCQ4-SL @ 0.0°
4	33.312	4.118	LOCK 889 SCQ4-SL @ 0.0°
5	17.656	63.180	LOCK 889 SCQ4-SL @ 90.0°
6	17.656	2.368	LOCK 889 SCQ4-SL @ 270.0°



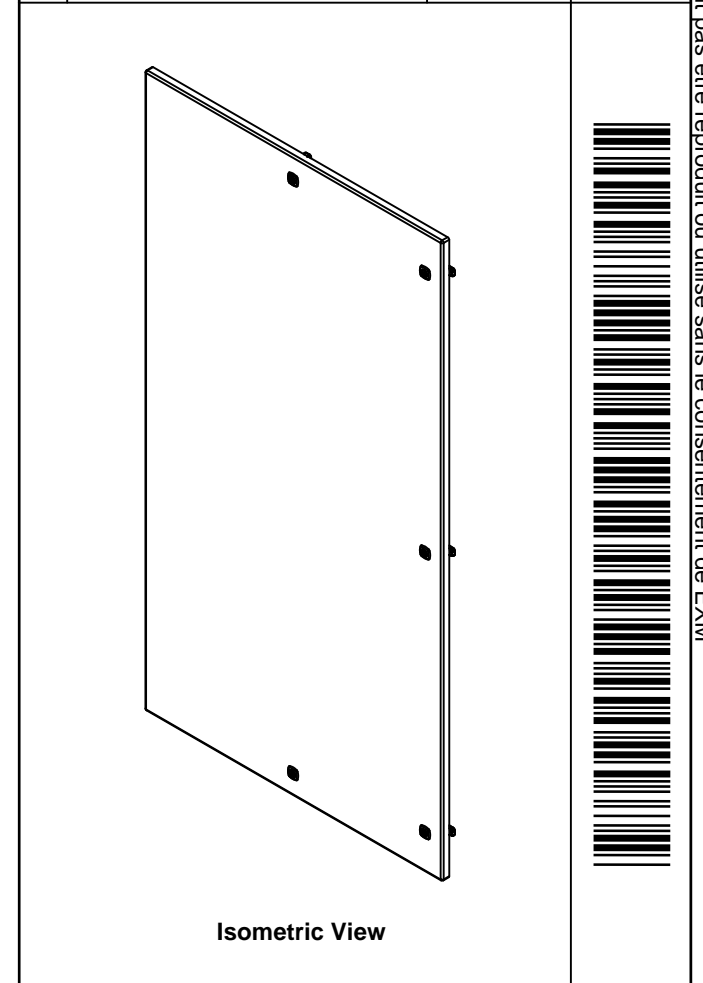
FRONT

	Description	Status	
	9412 72" x 36" Cover	(NULL)	
	Part Number Numéro Pièce	Rev.	
	9412723624C	0	2 3

This drawing is confidential and must not be reproduced or used without the consent of EXM

Ce dessin est confidentiel et ne doit pas être reproduit ou utilisé sans le consentement de EXM

No.	Revisions	Date	By/Par



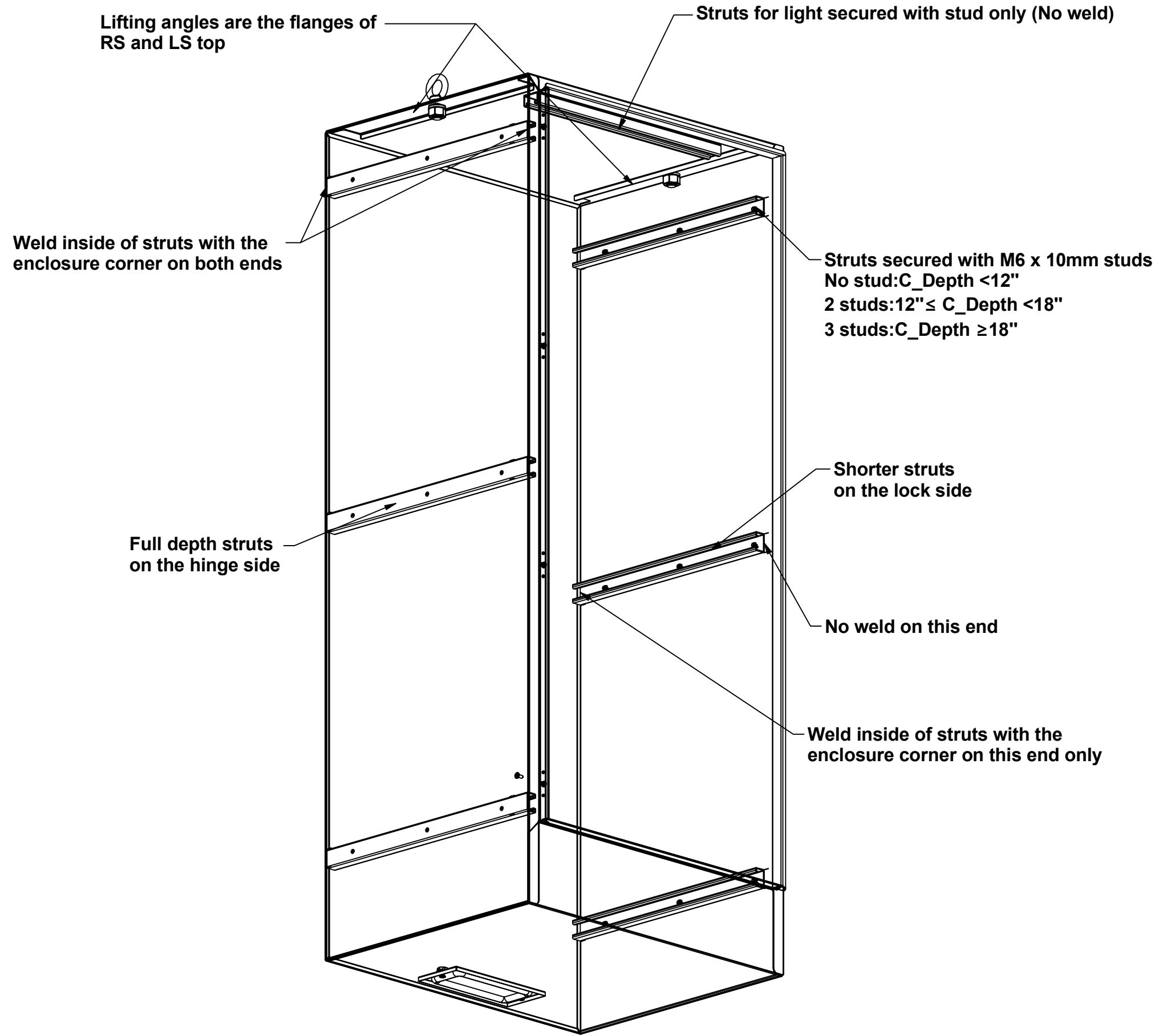
Tél: (450) 979-4373 Fax: (450) 979-4626 www.exmweb.com		Flatness Aplatissement
		Max 3.0mm
Projection		
Customer Client		Date
Drawn By Dessiné Par	BoxCad: BoxCad	Date 07-Oct-19
Material Matière	12 Ga Cold Rolled A1008 CS Type B (2.5mm)	
Color Couleur	Asa-61 Grey	Finish Fini Smooth
Description	9412 72" x 36" Cover	
Part Number Numéro Pièce	9412723624C	Rev. 3
		0
		3

1	9412723624G	0	9412 72" x 36" Cover Gasket
1	STK-Q-16080	0	Ground Stud M6 x 16mm
1	STK-P-02400S	0	Powder Paint (Asa-61 Grey / Smooth)
1	STK-S-00100	0	3.5" x 2" Silver Milar Flexcon Sticker
1	9412723624C-P	0	9412 72" x 36" Cover Part
4	STK-K-09860	7	Cabinet Hinge with Captive Pins
5	STK-K-12580	0	9412 1/4 Turn Lock
Qty	Part Name	Rev	Description
Parts List			

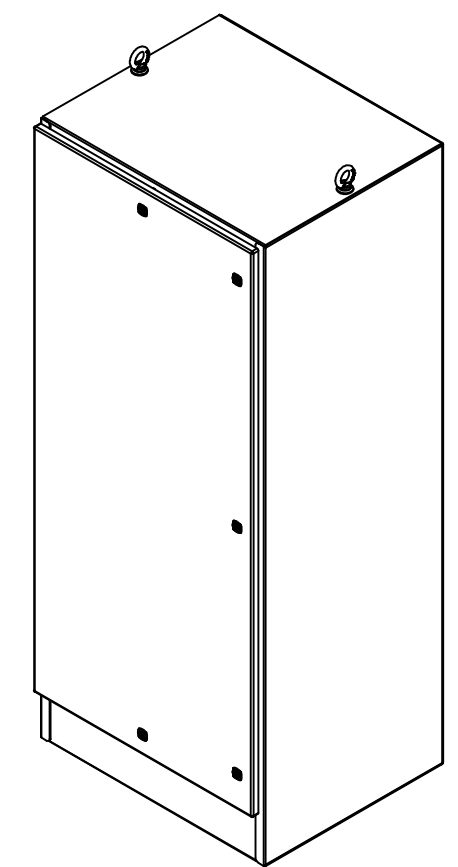
All knockouts are actual size / Les disques défonçables sont grandeur réel
 All dimensions are before paint / Toutes les dimensions sont avant peinture

This drawing is confidential and must not be reproduced or used without the consent of EXM

Ce dessin est confidentiel et ne doit pas être reproduit ou utilisé sans le consentement de EXM



No.	Revisions	Date	By/Par



Isometric View



Tél: (450) 979-4373
 Fax: (450) 979-4626
www.exmweb.com

Flatness
 Aplatissement
 Max 3.0mm
 Projection

Customer Client	Date
Drawn By / Dessiné Par: PatrickD	Date: 3/9/2020
Material / Matière: N/A	
Color / Couleur: N/A	Finish / Fini: N/A
Description: 9412 Welding Detail	Detail Rev.
Part Number / Numéro Pièce: 9412_WELDING_DETAIL	Rev. 0

1
1