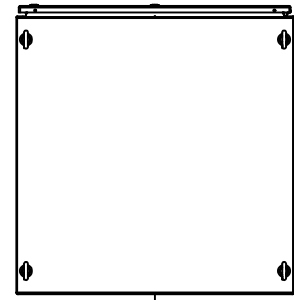
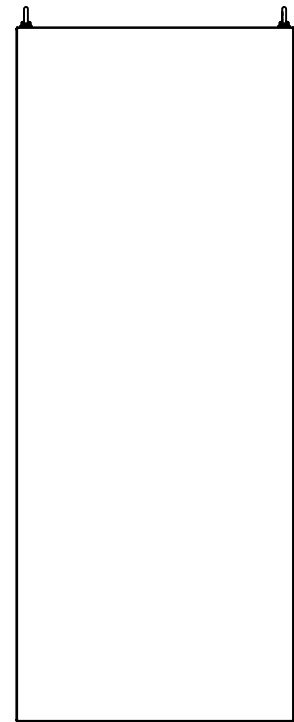


This drawing is confidential and must not be reproduced or used without the consent of EXM

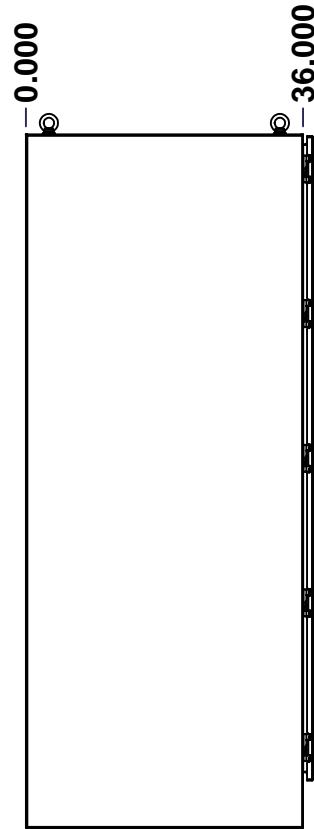
Ce dessin est confidentiel et ne doit pas être reproduit ou utilisé sans le consentement de EXM



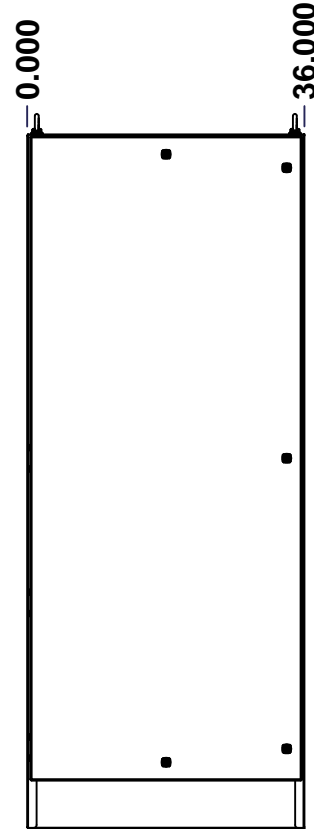
TOP



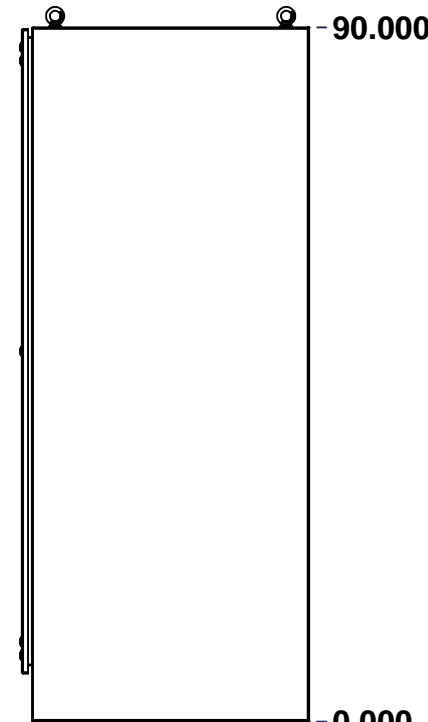
BACK



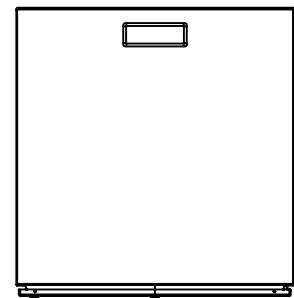
LEFT



FRONT

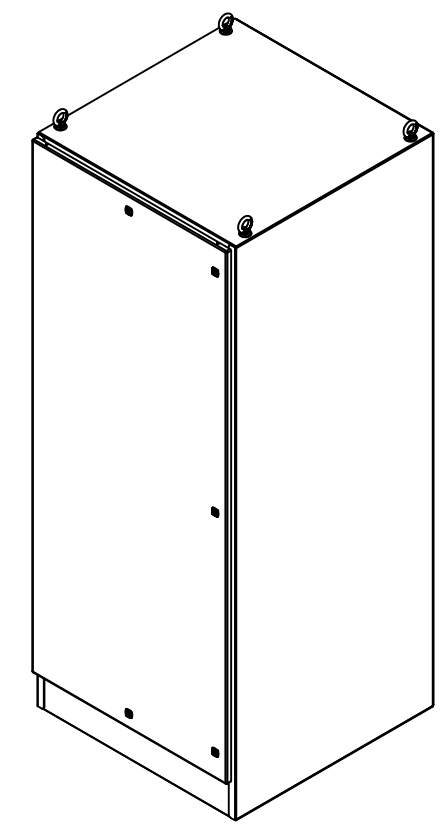


RIGHT




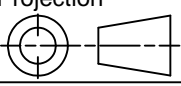
BOTTOM

No.	Revisions	Date	By/Par



Isometric View



 Tél: (450) 979-4373 Fax: (450) 979-4626 www.exmweb.com		Flatness Aplatissement Max 3.0mm Projection 
Customer Client	Date	
Drawn By Dessiné Par	BoxCad: BoxCad	Date 07-Oct-19
Material Matière	12 Ga Cold Rolled A1008 CS Type B (2.5mm)	
Color Couleur	Asa-61 Grey	Finish Fini Smooth
Description	Detail Rev.	
9412 90" x 36" x 36" Assembly		
Part Number Numéro Pièce	Rev. 0	1 2

SEE BILL OF MATERIAL ON LAST PAGE

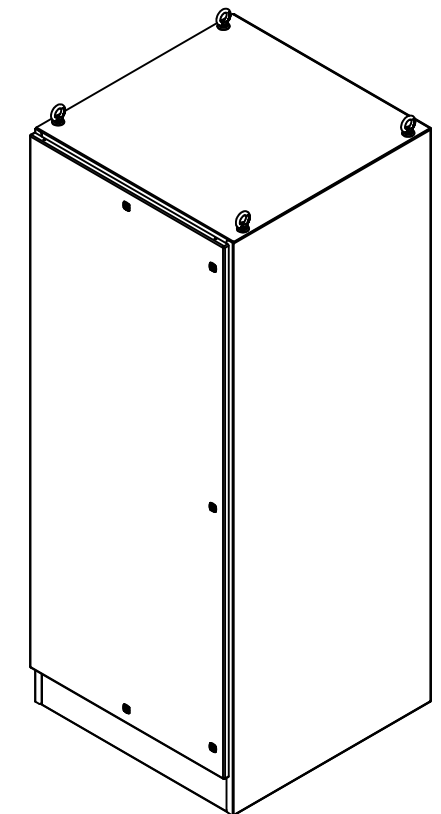
9412903636

This drawing is confidential and must not be reproduced or used without the consent of EXM

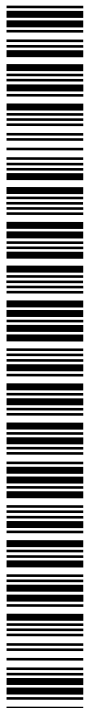
Ce dessin est confidentiel et ne doit pas être reproduit ou utilisé sans le consentement de EXM

NOTE	
ITEM	DESCRIPTION
1	NEMA 4/12 Enclosure
2	C/W Standard ground studs on box and cover
3	W/O Standard door stiffener
4	W/O Inner panel
5	C/W Standard inner panel mounting struts
6	C/W Eyebolts
7	C/W Struts installed (Included)

No.	Revisions	Date	By/Par


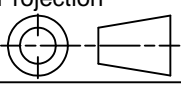


Isometric View



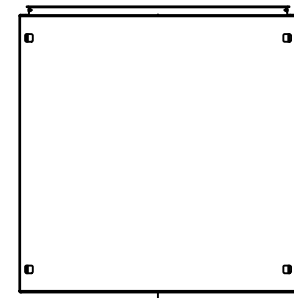
PACKING		
ITEM	QTY	DESCRIPTION
Cardboard sleeve	2	Top and Bottom
Cardboard strip	2	Between back of enclosure and inner panel
Plastic bag	1	To protect cover surface and inside gasket
Cardboard corner	4	To reinforced for the plastic strap tightening
Plastic strap - Black	2	To Squeeze 2 cardboard sleeve together
Packaging label	3	White label with PN
Plastic strap- Green	2	To secure the enclosure to the wood pallet
Wood Pallet	1	2" deeper and 3" larger than enclosure size

1	9412903636GP	0	9412 Gland Plate
1	9412903636C	0	9412 90" x 36" Cover
1	9412903636B	0	9412 90" x 36" x 36" Body
2	880EB14	2	Eye Bolt M14 (Pack of 2)
5	STK-Q-04050-10	8	M6 x 10mm Hexagon Socket Head Machine Screw with Nyseal
Qty	Part Number	Rev	Description
Parts List			

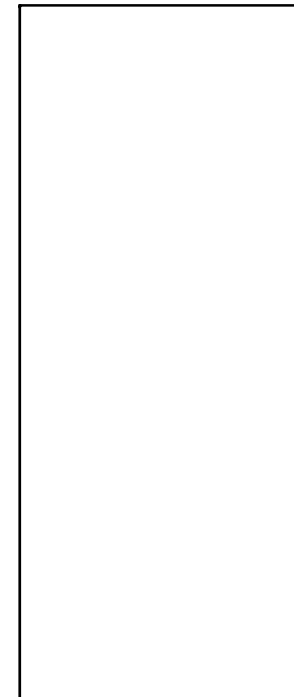
 Tél: (450) 979-4373 Fax: (450) 979-4626 www.exmweb.com		Flatness Aplatissement Max 3.0mm Projection 
Customer Client	Date	
Drawn By Dessiné Par	BoxCad: BoxCad	Date 07-Oct-19
Material Matière	12 Ga Cold Rolled A1008 CS Type B (2.5mm)	
Color Couleur	Asa-61 Grey	Finish Fini Smooth
Description	9412 90" x 36" x 36" Assembly	
Part Number Numéro Pièce	9412903636	Rev. 0
		2

This drawing is confidential and must not be reproduced or used without the consent of EXM

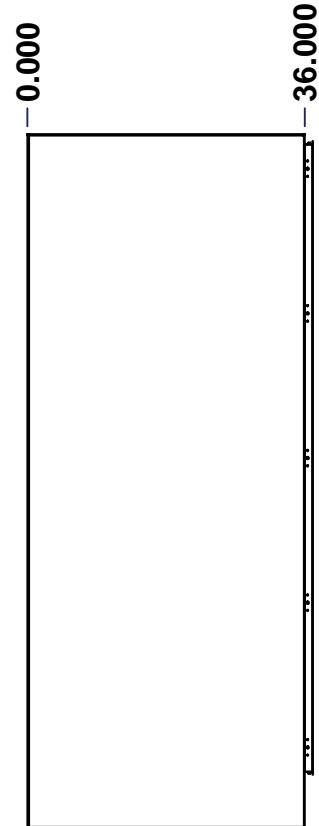
Ce dessin est confidentiel et ne doit pas être reproduit ou utilisé sans le consentement de EXM



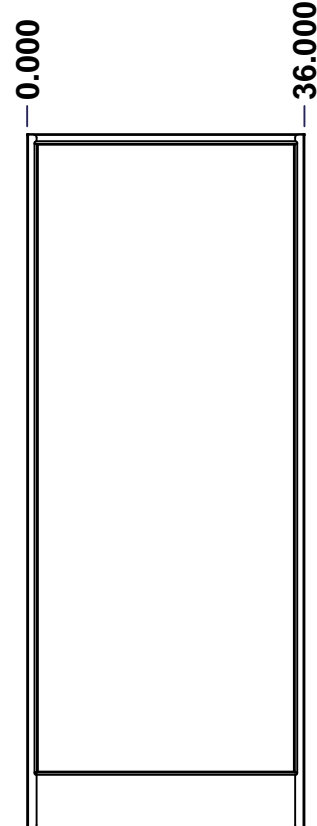
TOP



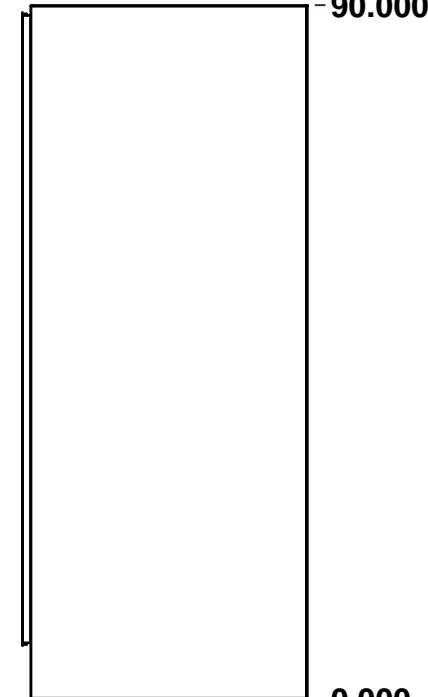
BACK



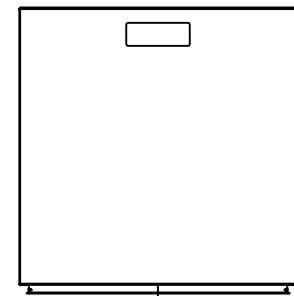
LEFT



FRONT

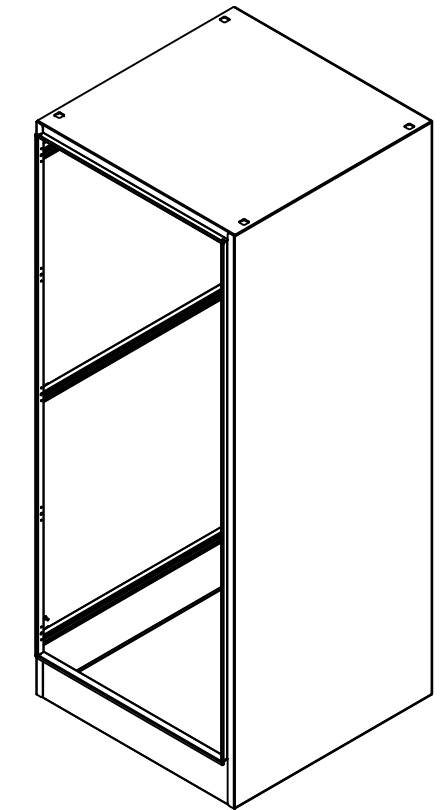


RIGHT




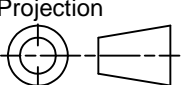
BOTTOM

No.	Revisions	Date	By/Par



Isometric View



 Tél: (450) 979-4373 Fax: (450) 979-4626 www.exmweb.com		Flatness Aplatissement Max 3.0mm Projection 
Customer Client	Date	
Drawn By Dessiné Par	BoxCad: BoxCad	Date 07-Oct-19
Material Matière	12 Ga Cold Rolled A1008 CS Type B (2.5mm)	
Color Couleur	Asa-61 Grey	Finish Fini Smooth
Description	9412 90" x 36" x 36" Body	
Part Number Numéro Pièce	9412903636B	Detail Rev.
	Rev. 0	1/2

SEE BILL OF MATERIAL ON LAST PAGE

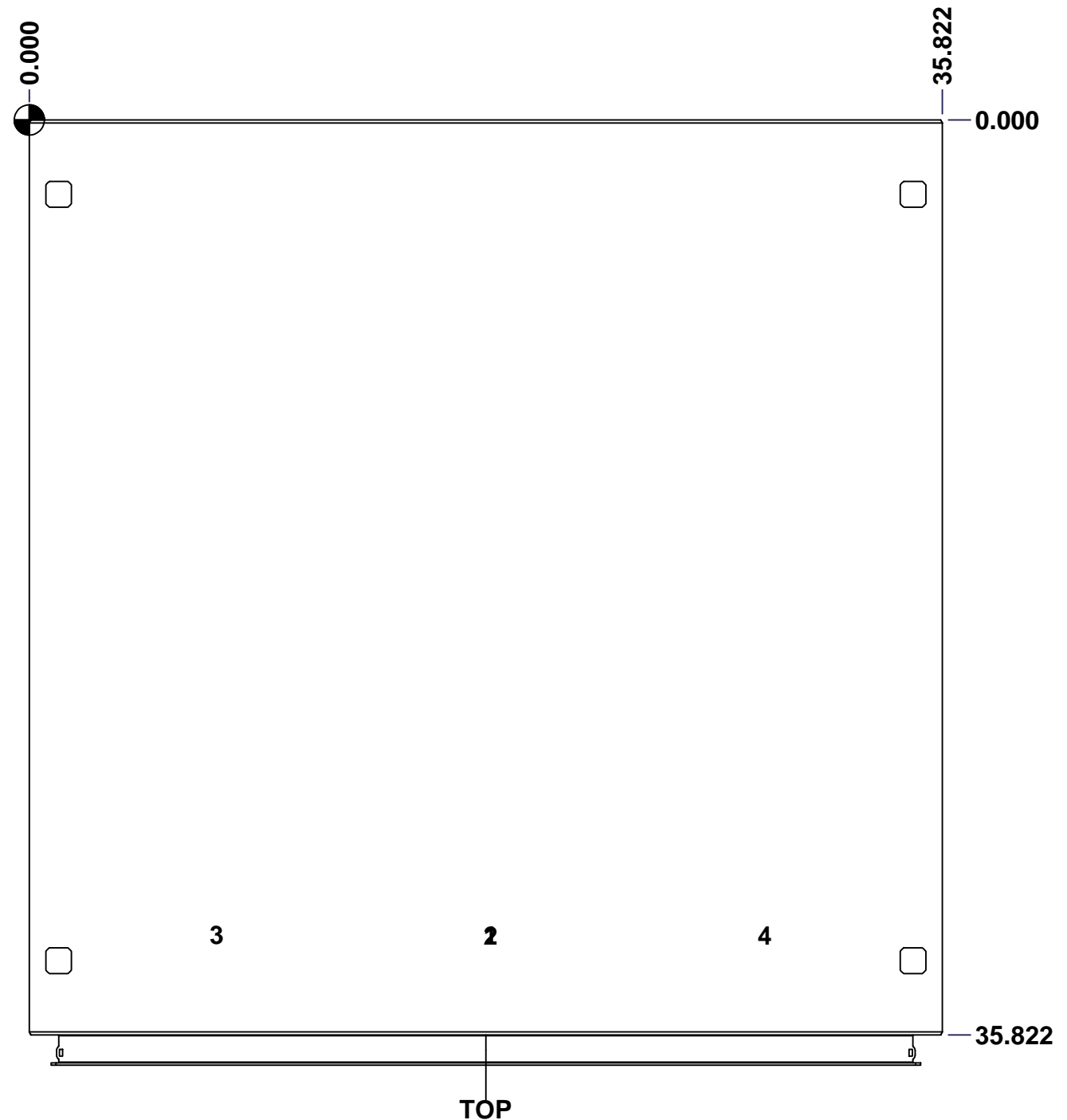
This drawing is confidential and must not be reproduced or used without the consent of EXM

Ce dessin est confidentiel et ne doit pas être reproduit ou utilisé sans le consentement de EXM

STANDARD FEATURES ARE NOT LISTED IN THIS HOLE TABLE

HOLE TABLE - TOP VIEW (CUSTOM FEATURE ONLY)

CUT-OUT	XDIM	YDIM	DESCRIPTION
1	17.911	31.911	Struts CR400 27.500" (Inside)
2	17.911	31.911	STUDS M6 x 10mm (Inside)
3	7.161	31.911	STUDS M6 x 10mm (Inside)
4	28.661	31.911	STUDS M6 x 10mm (Inside)



	Description	Status	
	9412 90" x 36" x 36" Body	Released	
	Part Number Numéro Pièce	Rev.	
	9412903636B	0	2 / 7

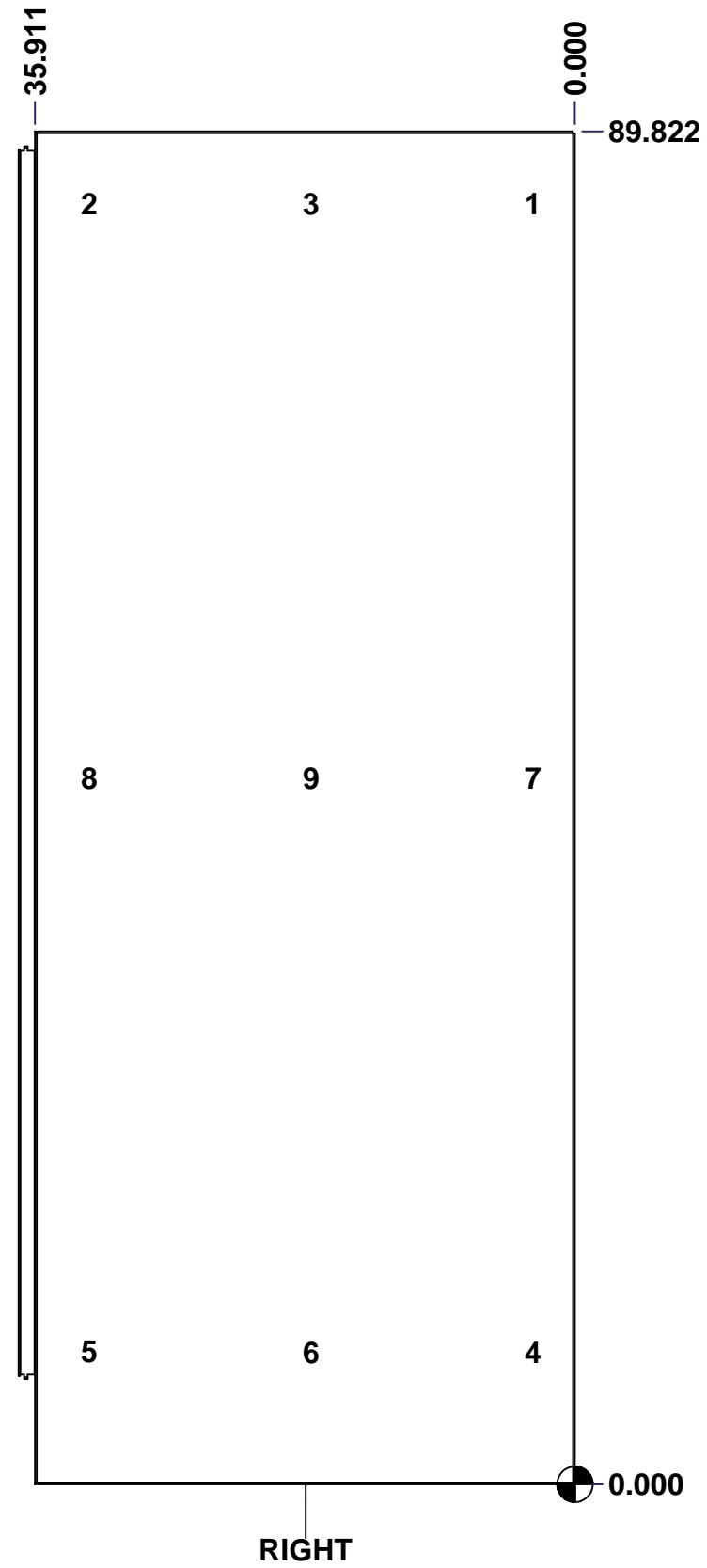
This drawing is confidential and must not be reproduced or used without the consent of EXM

Ce dessin est confidentiel et ne doit pas être reproduit ou utilisé sans le consentement de EXM

STANDARD FEATURES ARE NOT LISTED IN THIS HOLE TABLE

HOLE TABLE - RIGHT VIEW (CUSTOM FEATURE ONLY)

CUT-OUT	XDIM	YDIM	DESCRIPTION
1	3.161	85.036	STUDS M6 x 10mm (Inside)
2	32.661	85.036	STUDS M6 x 10mm (Inside)
3	17.911	85.036	STUDS M6 x 10mm (Inside)
4	3.161	8.786	STUDS M6 x 10mm (Inside)
5	32.661	8.786	STUDS M6 x 10mm (Inside)
6	17.911	8.786	STUDS M6 x 10mm (Inside)
7	3.161	46.911	STUDS M6 x 10mm (Inside)
8	32.661	46.911	STUDS M6 x 10mm (Inside)
9	17.911	46.911	STUDS M6 x 10mm (Inside)

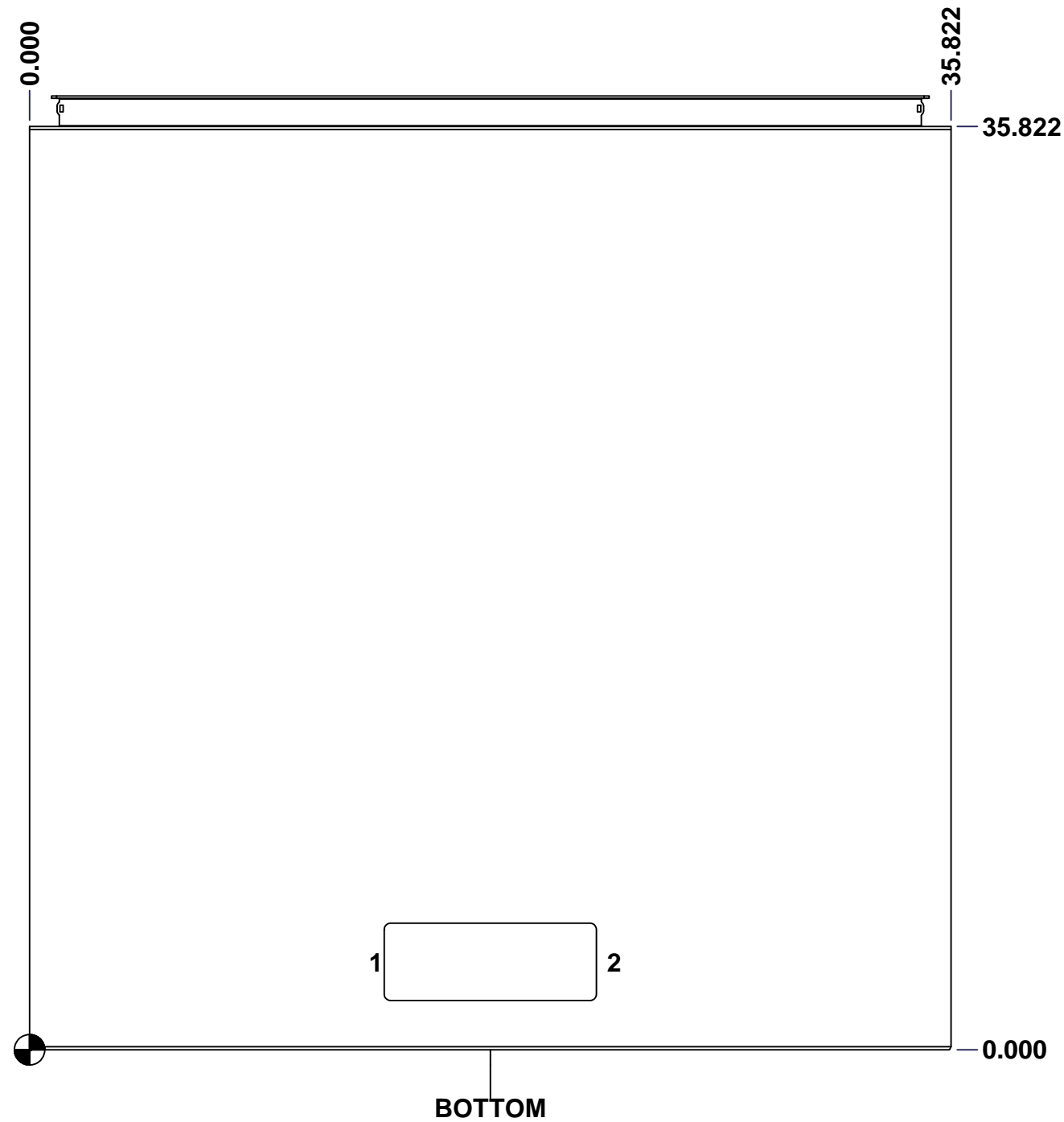


	Description	Status
	9412 90" x 36" x 36" Body	Released
	Part Number Numéro Pièce	Rev.
	9412903636B	0
		3
		7

This drawing is confidential and must not be reproduced or used without the consent of EXM

Ce dessin est confidentiel et ne doit pas être reproduit ou utilisé sans le consentement de EXM

STANDARD FEATURES ARE NOT LISTED IN THIS HOLE TABLE			
HOLE TABLE - BOTTOM VIEW (CUSTOM FEATURE ONLY)			
CUT-OUT	XDIM	YDIM	DESCRIPTION
1	13.286	3.411	GP STUD M6 x 16mm (Inside)
2	22.536	3.411	GP STUD M6 x 16mm (Inside)



	Description	Status
	9412 90" x 36" x 36" Body	Released
	Part Number Numéro Pièce	Rev.
	9412903636B	0
		4
		7

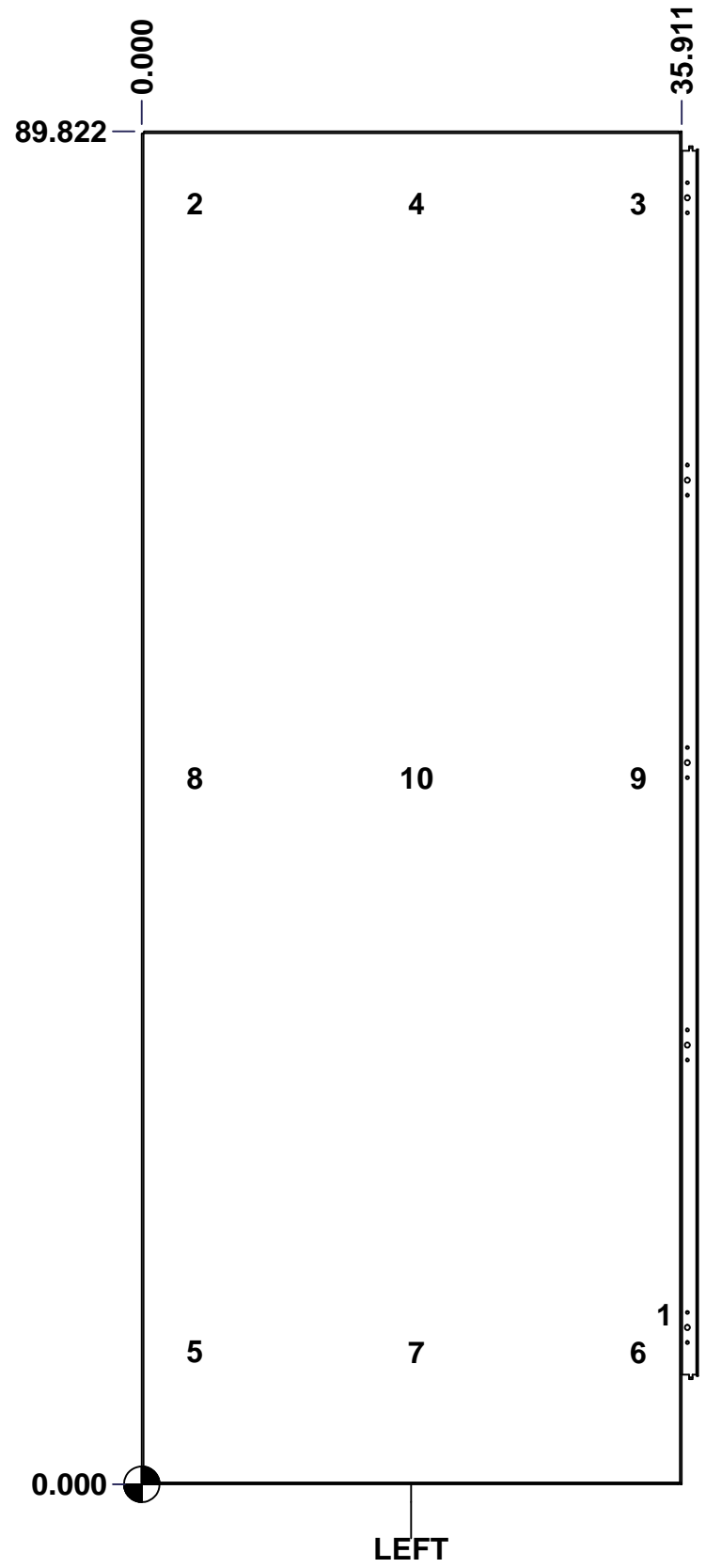
This drawing is confidential and must not be reproduced or used without the consent of EXM

Ce dessin est confidentiel et ne doit pas être reproduit ou utilisé sans le consentement de EXM

STANDARD FEATURES ARE NOT LISTED IN THIS HOLE TABLE

HOLE TABLE - LEFT VIEW (CUSTOM FEATURE ONLY)

CUT-OUT	XDIM	YDIM	DESCRIPTION
1	34.411	11.286	GND STUD M6 x 16mm (Inside)
2	3.161	85.036	STUDS M6 x 10mm (Inside)
3	32.661	85.036	STUDS M6 x 10mm (Inside)
4	17.911	85.036	STUDS M6 x 10mm (Inside)
5	3.161	8.786	STUDS M6 x 10mm (Inside)
6	32.661	8.786	STUDS M6 x 10mm (Inside)
7	17.911	8.786	STUDS M6 x 10mm (Inside)
8	3.161	46.911	STUDS M6 x 10mm (Inside)
9	32.661	46.911	STUDS M6 x 10mm (Inside)
10	17.911	46.911	STUDS M6 x 10mm (Inside)

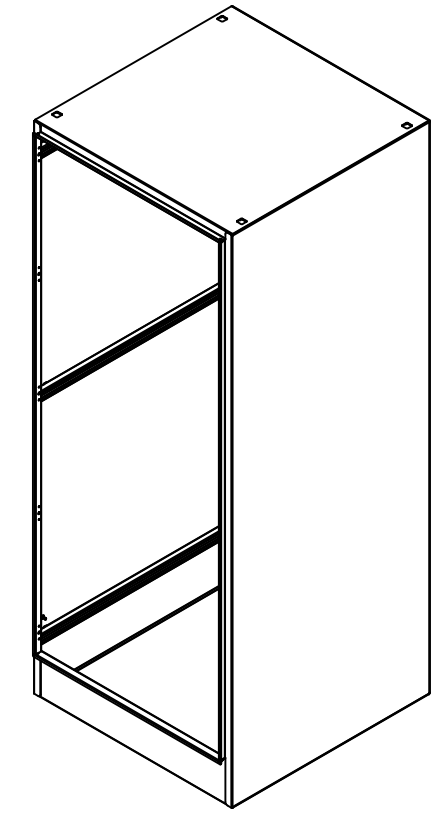


	Description	Status	
	9412 90" x 36" x 36" Body	Released	
	Part Number Numéro Pièce	Rev.	
	9412903636B	0	5 / 7

This drawing is confidential and must not be reproduced or used without the consent of EXM

Ce dessin est confidentiel et ne doit pas être reproduit ou utilisé sans le consentement de EXM


No.	Revisions	Date	By/Par



Isometric View

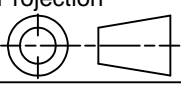


Qty	Part Number	Rev	Description
21	STK-Q-16030	0	Stud M6 x 10mm
1	CR400MS_27.5	0	Commercial Roll Mild Steel (27.5in long)
1	STK-P-02400S	0	Powder Paint (Asa-61 Grey / Smooth)
3	STK-Q-52200-36	0	Sasco Strut S5 (33.500" Long)
3	STK-Q-52250-36	0	Sasco Strut S5 (35.500" Long)
1	9412903636BT-P	0	9412 36" x 36" Bottom Part
1	9412903636T-P	0	9412 36" x 36" Top Part
1	9412903636RS-P	0	9412 90" x 36" Right Part
1	9412903636LS-P	0	9412 90" x 36" Left Part
1	9412903636B-P	0	9412 90" x 36" Back Part
21	STK-Q-07220	1	M6 Nylon Insert Lock Nut
3	STK-Q-16080	0	Ground Stud M6 x 16mm



Tél: (450) 979-4373
Fax: (450) 979-4626
www.exmweb.com

Flatness
Aplatissement
Max 3.0mm

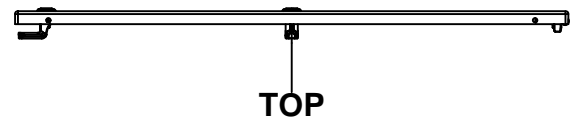
Projection


Customer Client		Date
Drawn By Dessiné Par	BoxCad: BoxCad	Date 07-Oct-19
Material Matière		12 Ga Cold Rolled A1008 CS Type B (2.5mm)
Color Couleur	Asa-61 Grey	Finish Fini Smooth
Description		Detail Rev.
9412 90" x 36" x 36" Body		
Part Number Numéro Pièce		Rev. 2
9412903636B		0

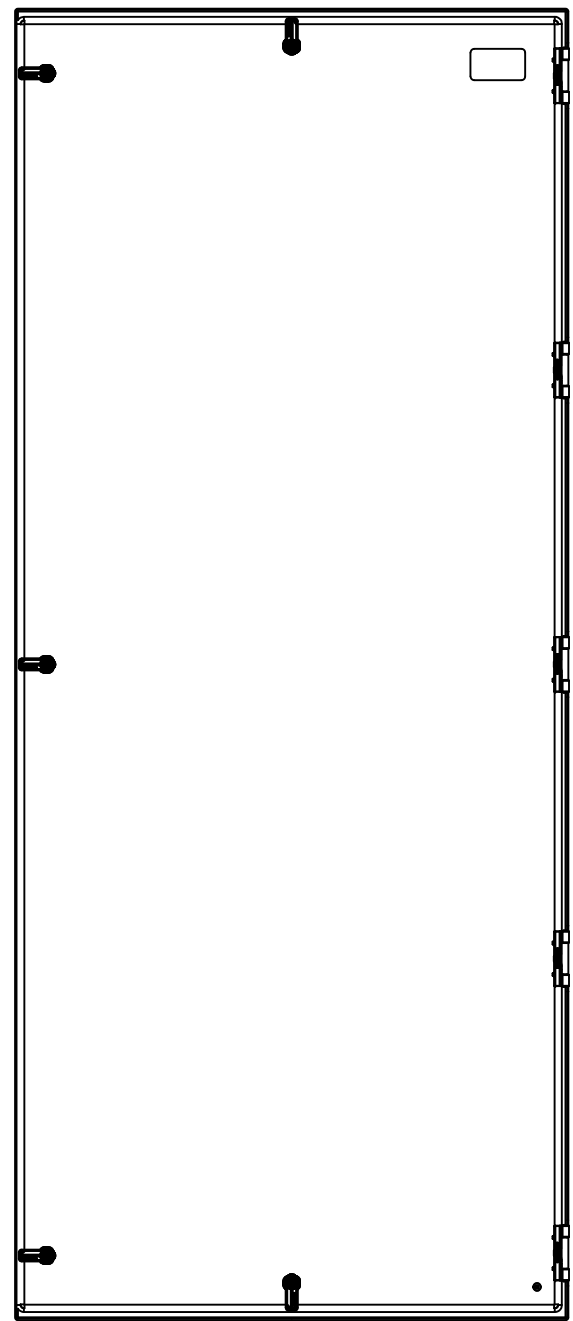
Parts List

This drawing is confidential and must not be reproduced or used without the consent of EXM

Ce dessin est confidentiel et ne doit pas être reproduit ou utilisé sans le consentement de EXM



TOP

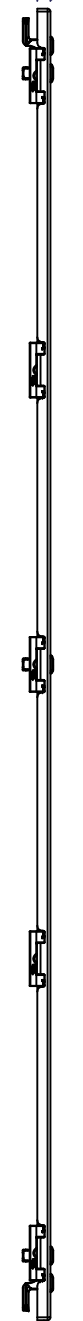


BACK



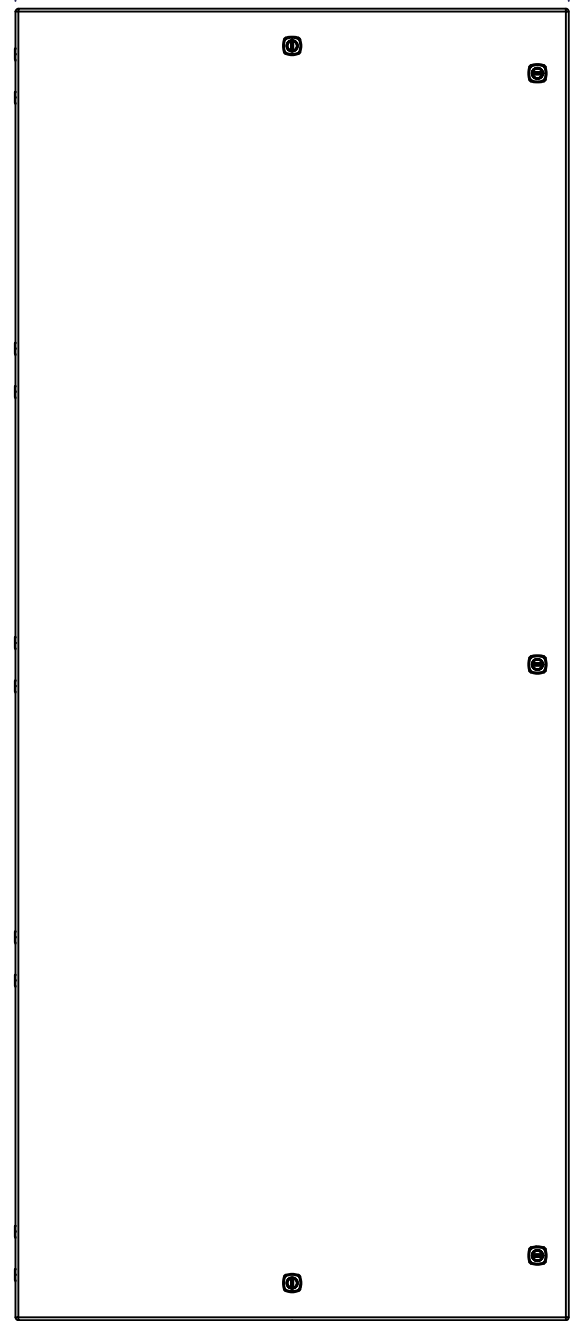
BOTTOM

0.000
0.835



LEFT

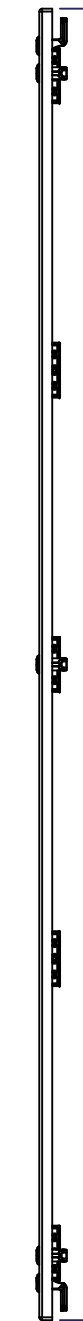
0.000



FRONT

35.312

83.549



RIGHT

0.000

No.	Revisions	Date	By/Par

Isometric View

<p>Tél: (450) 979-4373 Fax: (450) 979-4626 www.exmweb.com</p>		Flatness Aplatissement	
		Max 3.0mm	
Customer Client		Projection	
Date			
Drawn By Dessiné Par BoxCad: BoxCad		Date 07-Oct-19	
Material Matière 12 Ga Cold Rolled A1008 CS Type B (2.5mm)			
Color Couleur Asa-61 Grey		Finish Fini Smooth	
Description 9412 90" x 36" Cover			Detail Rev.
Part Number Numéro Pièce 9412903636C		Rev. 0	1 3

SEE BILL OF MATERIAL ON LAST PAGE

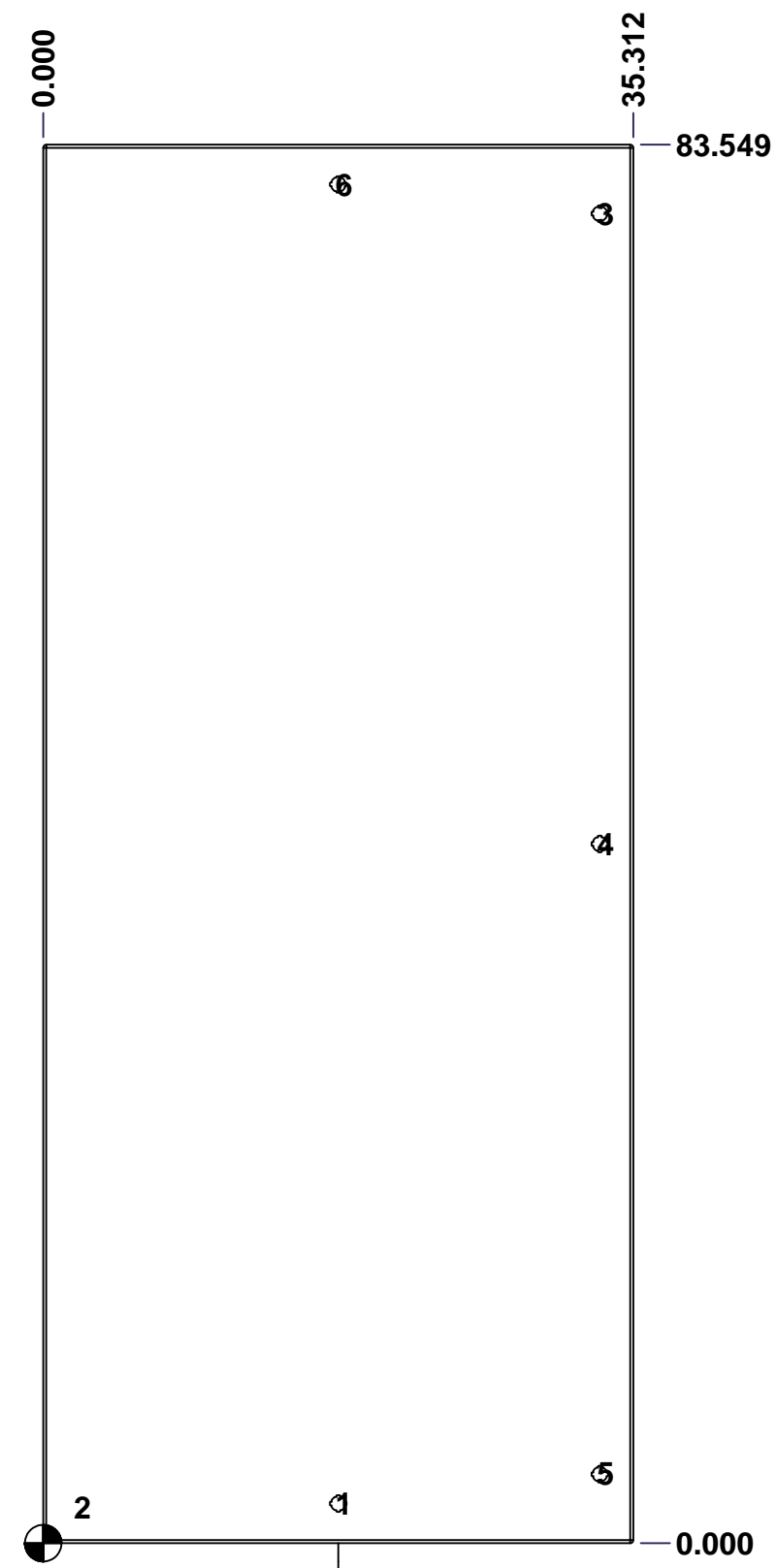
This drawing is confidential and must not be reproduced or used without the consent of EXM

Ce dessin est confidentiel et ne doit pas être reproduit ou utilisé sans le consentement de EXM

STANDARD FEATURES ARE NOT LISTED IN THIS HOLE TABLE

HOLE TABLE - FRONT VIEW (CUSTOM FEATURE ONLY)

CUT-OUT	XDIM	YDIM	DESCRIPTION
1	17.656	2.368	LOCK 889 SCQ4-SL @ 270.0°
2	2.000	2.118	GND STUD M6 x 16mm (Inside)
3	33.312	79.430	LOCK 889 SCQ4-SL @ 0.0°
4	33.312	41.774	LOCK 889 SCQ4-SL @ 0.0°
5	33.312	4.118	LOCK 889 SCQ4-SL @ 0.0°
6	17.656	81.180	LOCK 889 SCQ4-SL @ 90.0°



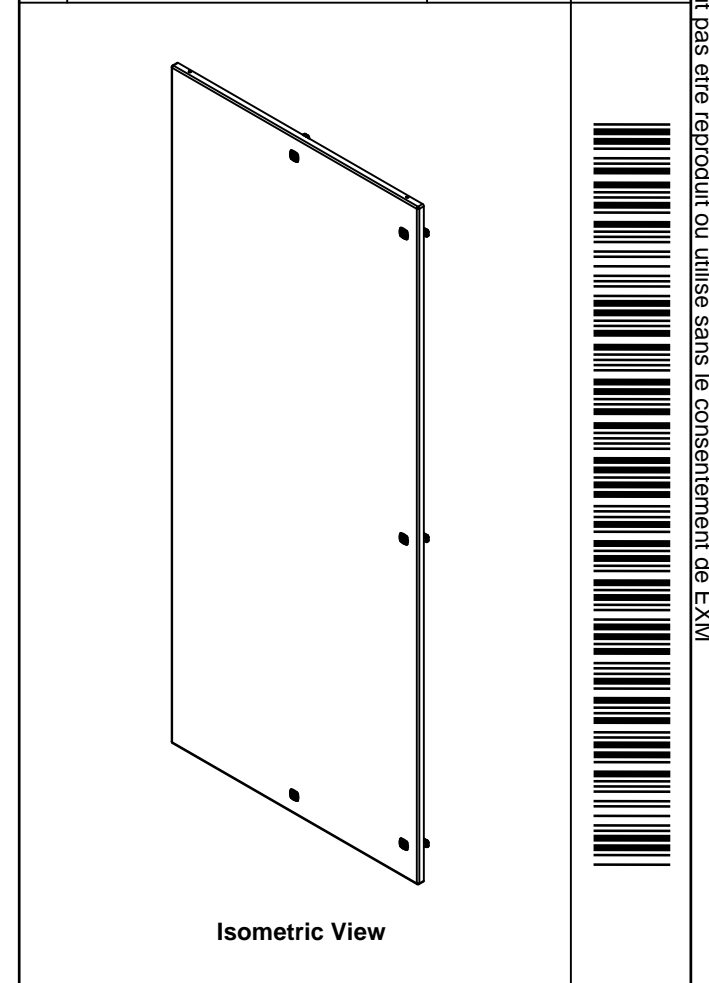
FRONT

	Description	Status
	9412 90" x 36" Cover	(NULL)
	Part Number Numéro Pièce	Rev.
	9412903636C	0
		2
		3

This drawing is confidential and must not be reproduced or used without the consent of EXM

Ce dessin est confidentiel et ne doit pas être reproduit ou utilisé sans le consentement de EXM

No.	Revisions	Date	By/Par



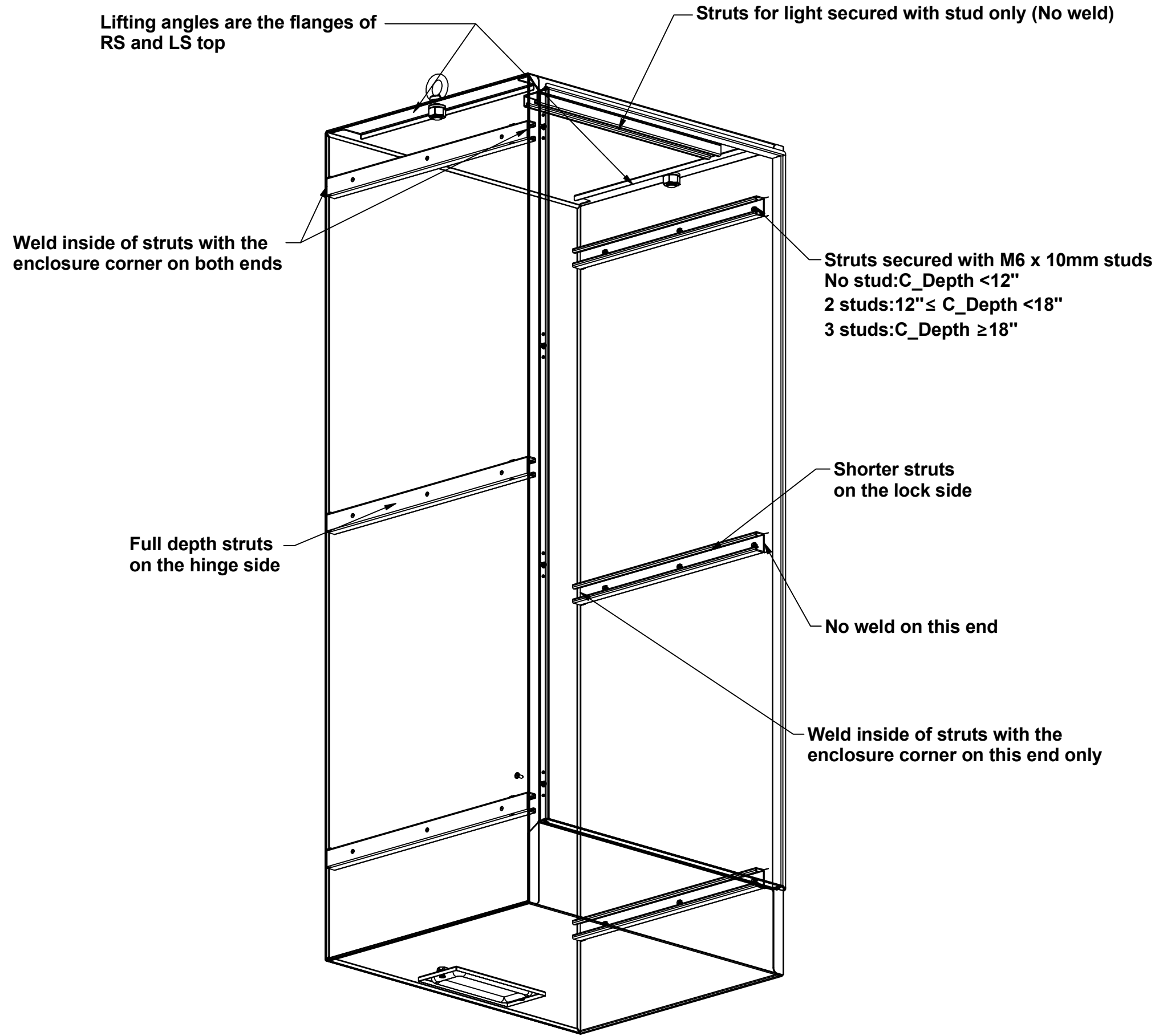
Tél: (450) 979-4373 Fax: (450) 979-4626 www.exmweb.com		Flatness Aplatissement	
		Max 3.0mm Projection	
Customer Client		Date	
Drawn By Dessiné Par BoxCad: BoxCad		Date 07-Oct-19	
Material Matière 12 Ga Cold Rolled A1008 CS Type B (2.5mm)			
Color Couleur Asa-61 Grey		Finish Fini Smooth	
Description 9412 90" x 36" Cover			Detail Rev.
Part Number Numéro Pièce		Rev.	3
9412903636C		0	3

1	STK-Q-16080	0	Ground Stud M6 x 16mm
1	9412903636G	0	9412 90" x 36" Cover Gasket
1	STK-P-02400S	0	Powder Paint (Asa-61 Grey / Smooth)
1	STK-S-00100	0	3.5" x 2" Silver Milar Flexcon Sticker
1	9412903636C-P	0	9412 90" x 36" Cover Part
5	STK-K-09860	7	Cabinet Hinge with Captive Pins
5	STK-K-12580	0	9412 1/4 Turn Lock
Qty	Part Name	Rev	Description
Parts List			

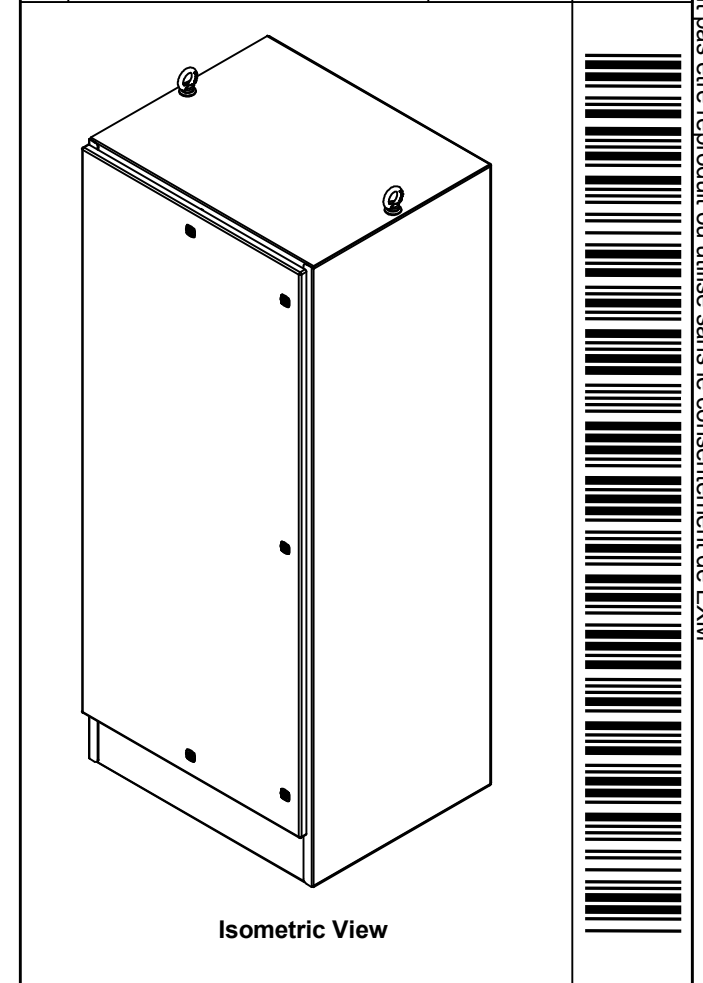
All knockouts are actual size / Les disques défonçables sont grandeur réel
 All dimensions are before paint / Toutes les dimensions sont avant peinture


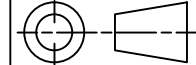
This drawing is confidential and must not be reproduced or used without the consent of EXM

Ce dessin est confidentiel et ne doit pas être reproduit ou utilisé sans le consentement de EXM



No.	Revisions	Date	By/Par



 Tél: (450) 979-4373 Fax: (450) 979-4626 www.exmweb.com		Flatness Aplatissement Max 3.0mm Projection 
Customer Client	Date	
Drawn By / Dessiné Par: PatrickD	Date: 3/9/2020	
Material / Matière	N/A	
Color / Couleur: N/A	Finish / Fini: N/A	
Description: 9412 Welding Detail	Detail Rev.	
Part Number / Numéro Pièce: 9412_WELDING_DETAIL	Rev. 0	1 / 1