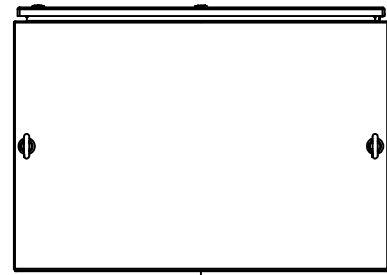
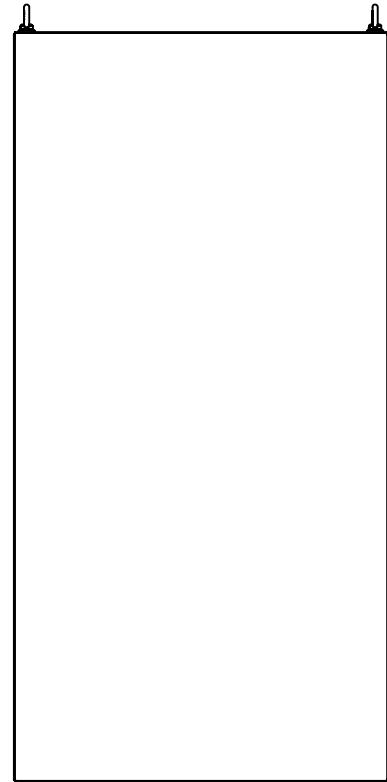


This drawing is confidential and must not be reproduced or used without the consent of EXM

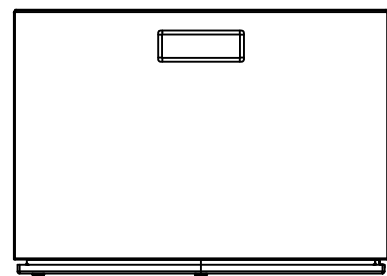
Ce dessin est confidentiel et ne doit pas être reproduit ou utilisé sans le consentement de EXM



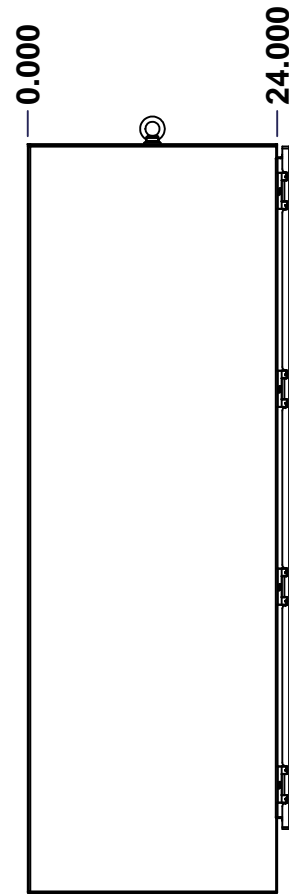
TOP



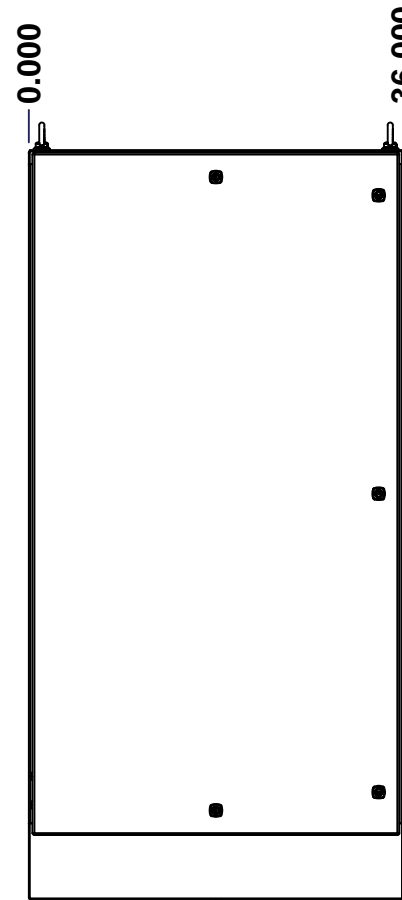
BACK



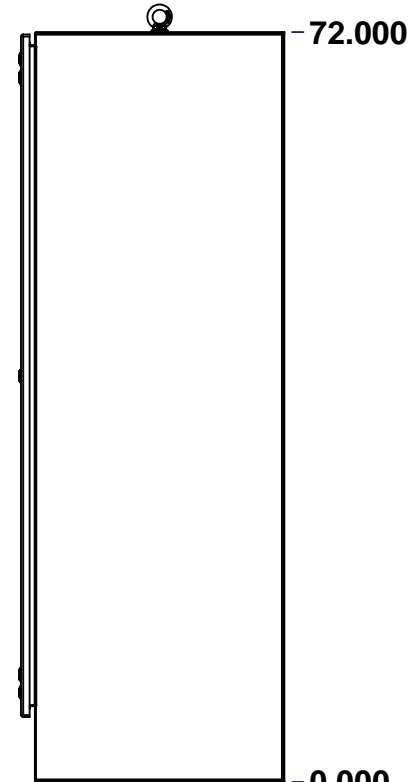
BOTTOM



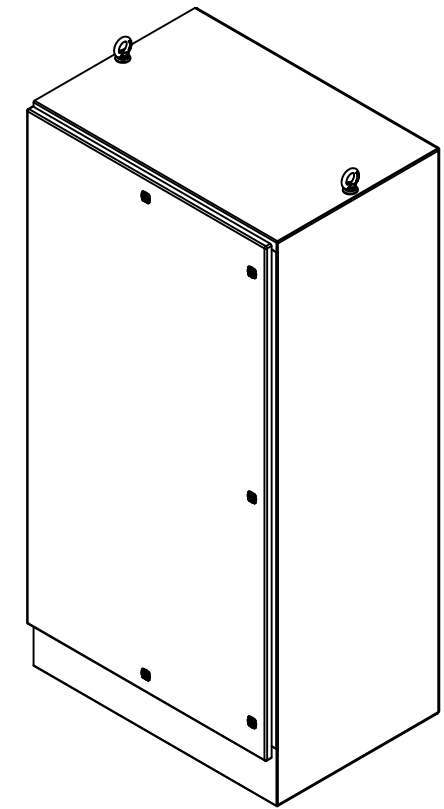
LEFT



FRONT



RIGHT




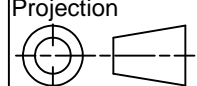
Isometric View



**GRAIN DIRECTION:
TOP/BOTTOM: HORIZONTAL
LEFT/RIGHT/BACK/FRONT: VERTICAL**

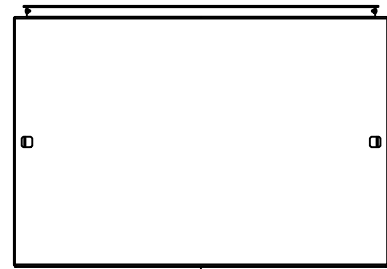
SEE BILL OF MATERIAL ON LAST PAGE

No.	Revisions	Date	By/Par

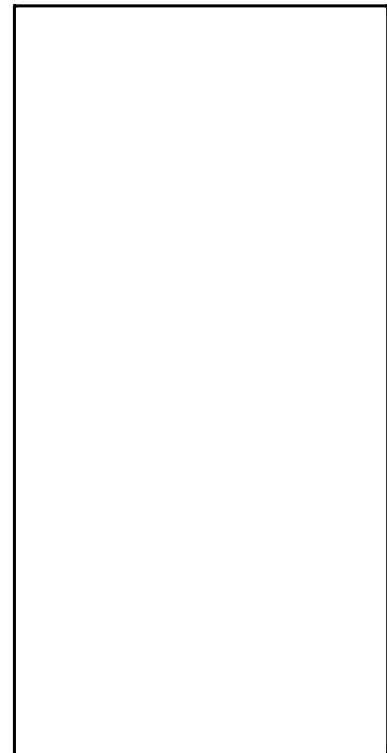
 Tél: (450) 979-4373 Fax: (450) 979-4626 www.exmweb.com		Flatness Aplatissement Max 3.0mm Projection 
Customer Client	Date	Date
Drawn By Dessiné Par	BoxCad: BoxCad	09-Mar-22
Material Matière	12 Ga Stainless Steel 304 (2.5mm)	
Color Couleur	Unpainted	Finish Fini Brushed
Description	Detail Rev.	
9412SS 72" x 36" x 24" Assembly		
Part Number Numéro Pièce	Rev.	1
9412SS723624	0	2

This drawing is confidential and must not be reproduced or used without the consent of EXM

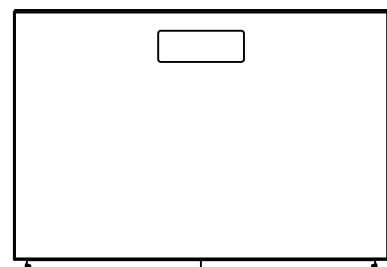
Ce dessin est confidentiel et ne doit pas être reproduit ou utilisé sans le consentement de EXM



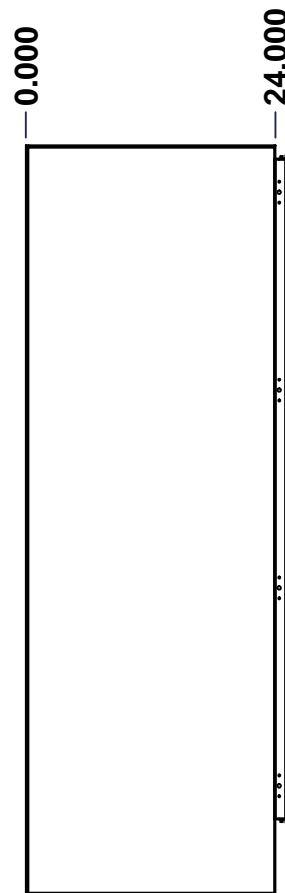
TOP



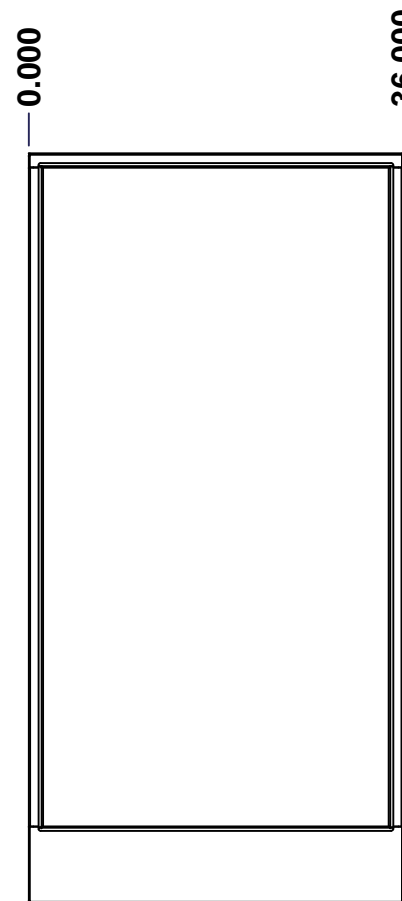
BACK



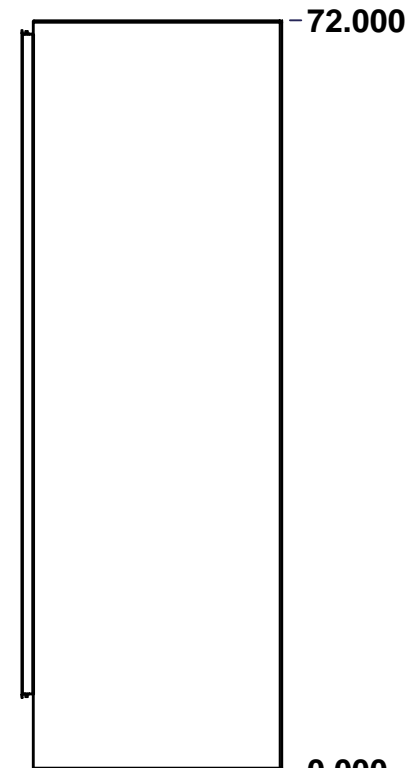
BOTTOM



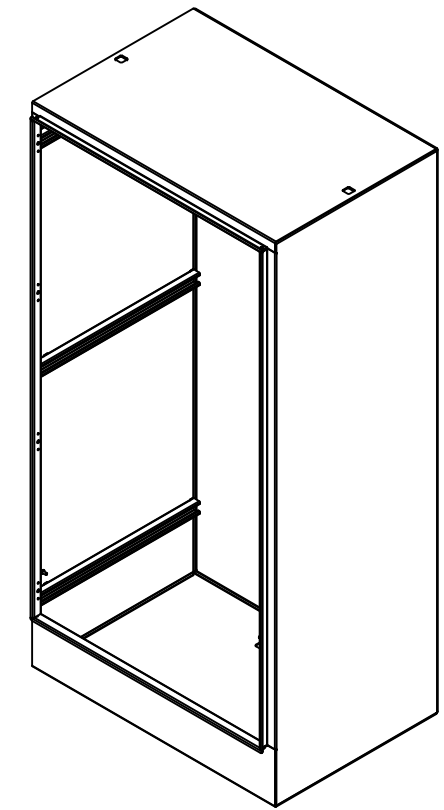
LEFT



FRONT





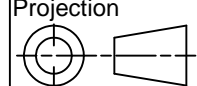
RIGHT



Isometric View



No.	Revisions	Date	By/Par

 Tél: (450) 979-4373 Fax: (450) 979-4626 www.exmweb.com		Flatness Aplatissement  Max 3.0mm Projection 
Customer Client	Date	
Drawn By / Dessiné Par: BoxCad: BoxCad	Date: 09-Mar-22	
Material / Matière: 12 Ga Stainless Steel 304 (2.5mm)	Color / Couleur: Unpainted	
	Finish / Fini: Brushed	
Description: 9412SS 72" x 36" x 24" Body	Detail Rev.	
Part Number / Numéro Pièce: 9412SS723624B	Rev. 0	1 / 2

SEE BILL OF MATERIAL ON LAST PAGE

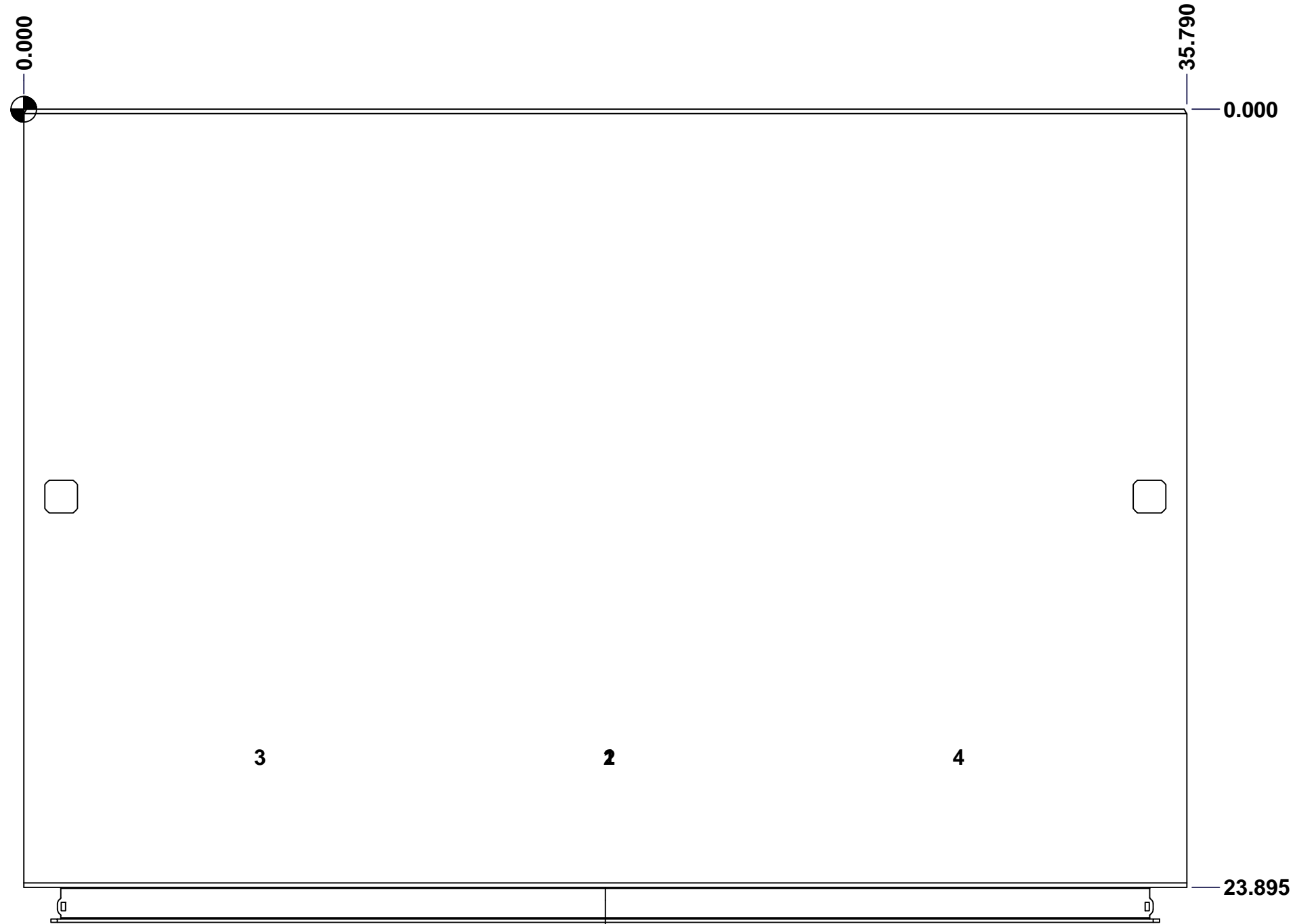
This drawing is confidential and must not be reproduced or used without the consent of EXM

Ce dessin est confidentiel et ne doit pas être reproduit ou utilisé sans le consentement de EXM

STANDARD FEATURES ARE NOT LISTED IN THIS HOLE TABLE

HOLE TABLE - TOP VIEW (CUSTOM FEATURE ONLY)

CUT-OUT	XDIM	YDIM	DESCRIPTION
1	17.895	19.895	Struts CR400 27.500" (Inside)
2	17.895	19.895	STUDS M6 x 10mm (Inside)
3	7.145	19.895	STUDS M6 x 10mm (Inside)
4	28.645	19.895	STUDS M6 x 10mm (Inside)



	Description	Status	
	9412SS 72" x 36" x 24" Body	Released	
	Part Number Numéro Pièce	Rev.	
	9412SS723624B	0	2 / 7

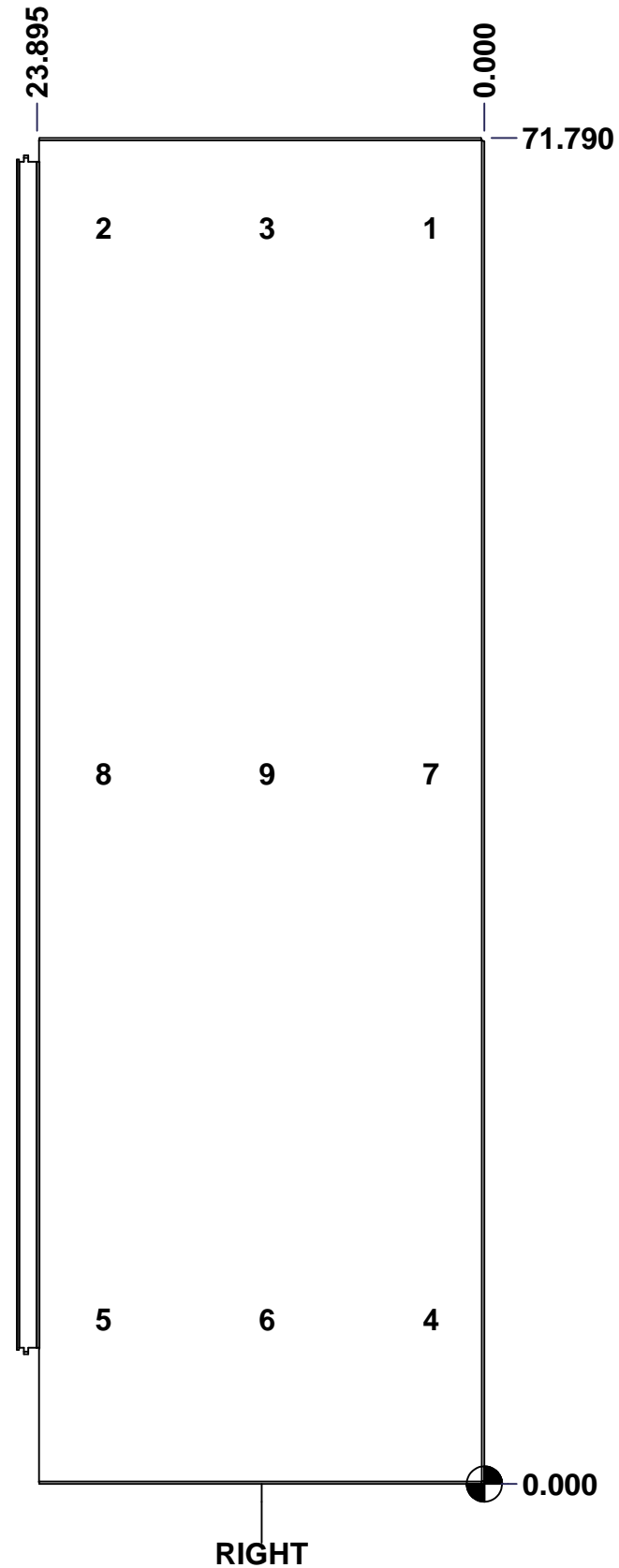
This drawing is confidential and must not be reproduced or used without the consent of EXM

Ce dessin est confidentiel et ne doit pas être reproduit ou utilisé sans le consentement de EXM

STANDARD FEATURES ARE NOT LISTED IN THIS HOLE TABLE

HOLE TABLE - RIGHT VIEW (CUSTOM FEATURE ONLY)

CUT-OUT	XDIM	YDIM	DESCRIPTION
1	3.145	67.020	STUDS M6 x 10mm (Inside)
2	20.645	67.020	STUDS M6 x 10mm (Inside)
3	11.895	67.020	STUDS M6 x 10mm (Inside)
4	3.145	8.770	STUDS M6 x 10mm (Inside)
5	20.645	8.770	STUDS M6 x 10mm (Inside)
6	11.895	8.770	STUDS M6 x 10mm (Inside)
7	3.145	37.895	STUDS M6 x 10mm (Inside)
8	20.645	37.895	STUDS M6 x 10mm (Inside)
9	11.895	37.895	STUDS M6 x 10mm (Inside)

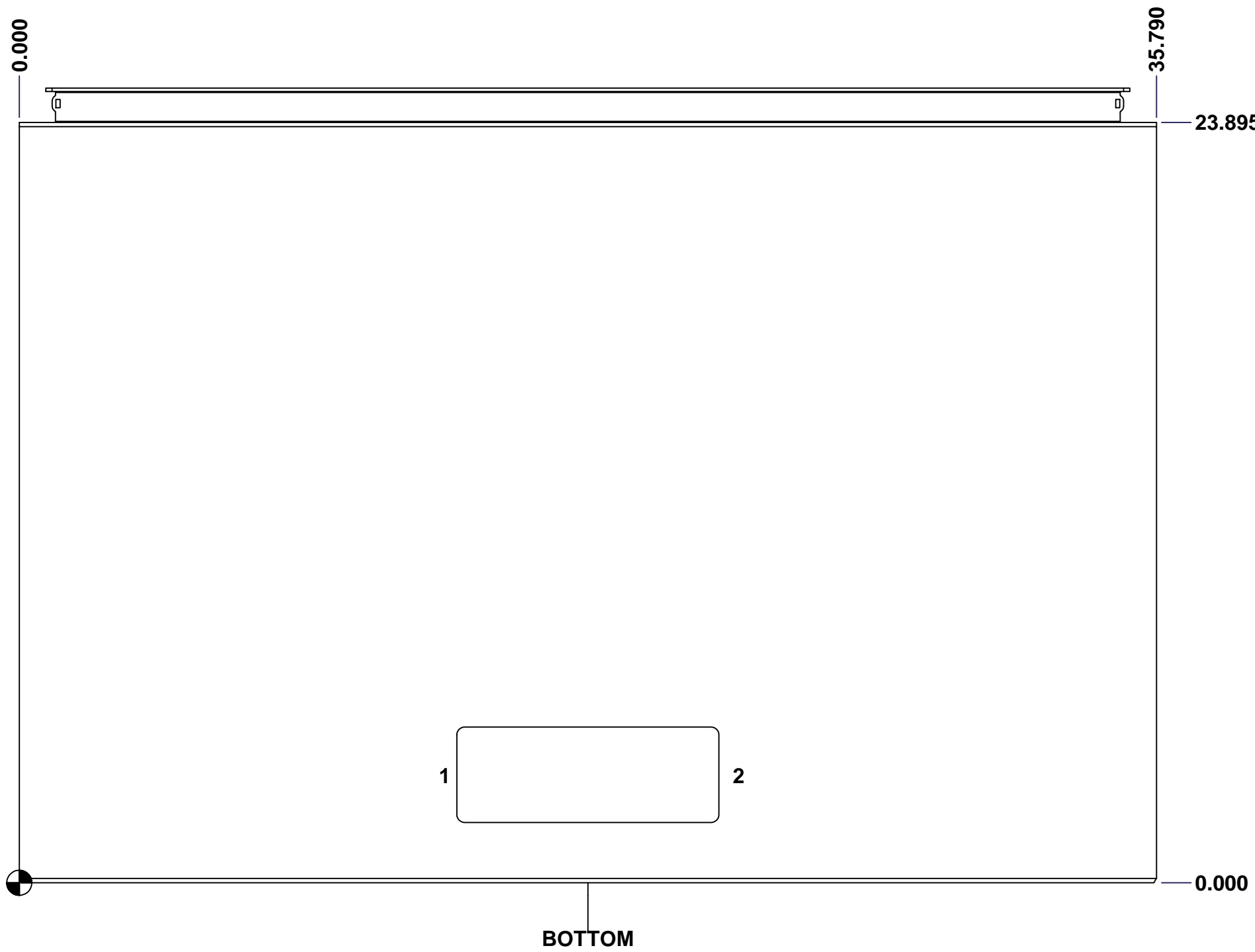


	Description		Status	
	9412SS 72" x 36" x 24" Body		Released	
Part Number Numéro Pièce		Rev.	3	
9412SS723624B		0	7	

This drawing is confidential and must not be reproduced or used without the consent of EXM

Ce dessin est confidentiel et ne doit pas être reproduit ou utilisé sans le consentement de EXM

STANDARD FEATURES ARE NOT LISTED IN THIS HOLE TABLE			
HOLE TABLE - BOTTOM VIEW (CUSTOM FEATURE ONLY)			
CUT-OUT	XDIM	YDIM	DESCRIPTION
1	13.270	3.395	GP STUD M6 x 16mm (Inside)
2	22.520	3.395	GP STUD M6 x 16mm (Inside)



	Description	Status
	9412SS 72" x 36" x 24" Body	Released
	Part Number Numéro Pièce	Rev.
	9412SS723624B	0
		4 / 7

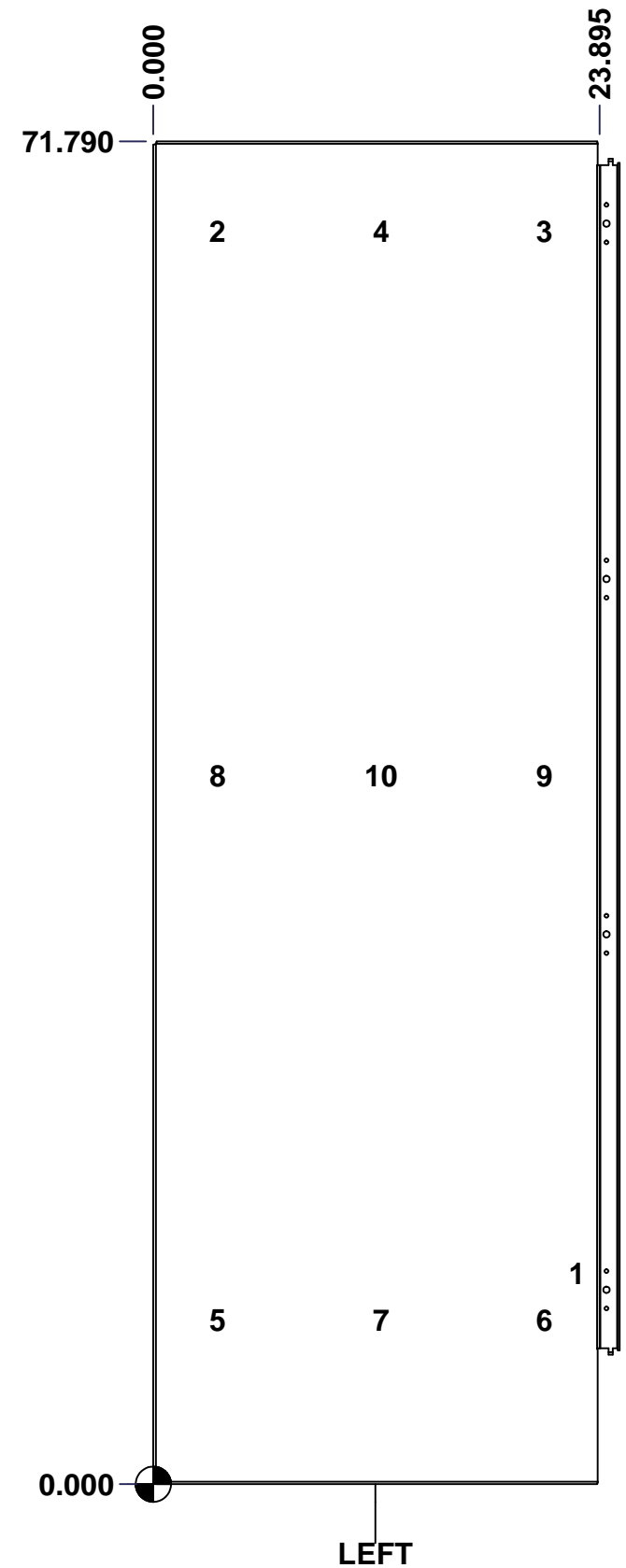
This drawing is confidential and must not be reproduced or used without the consent of EXM

Ce dessin est confidentiel et ne doit pas être reproduit ou utilisé sans le consentement de EXM

STANDARD FEATURES ARE NOT LISTED IN THIS HOLE TABLE

HOLE TABLE - LEFT VIEW (CUSTOM FEATURE ONLY)

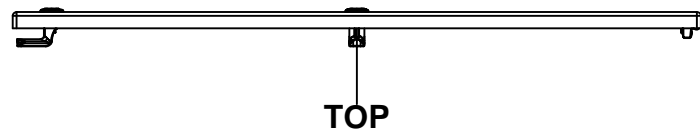
CUT-OUT	XDIM	YDIM	DESCRIPTION
1	22.395	11.270	GND STUD M6 x 16mm (Inside)
2	3.145	67.020	STUDS M6 x 10mm (Inside)
3	20.645	67.020	STUDS M6 x 10mm (Inside)
4	11.895	67.020	STUDS M6 x 10mm (Inside)
5	3.145	8.770	STUDS M6 x 10mm (Inside)
6	20.645	8.770	STUDS M6 x 10mm (Inside)
7	11.895	8.770	STUDS M6 x 10mm (Inside)
8	3.145	37.895	STUDS M6 x 10mm (Inside)
9	20.645	37.895	STUDS M6 x 10mm (Inside)
10	11.895	37.895	STUDS M6 x 10mm (Inside)



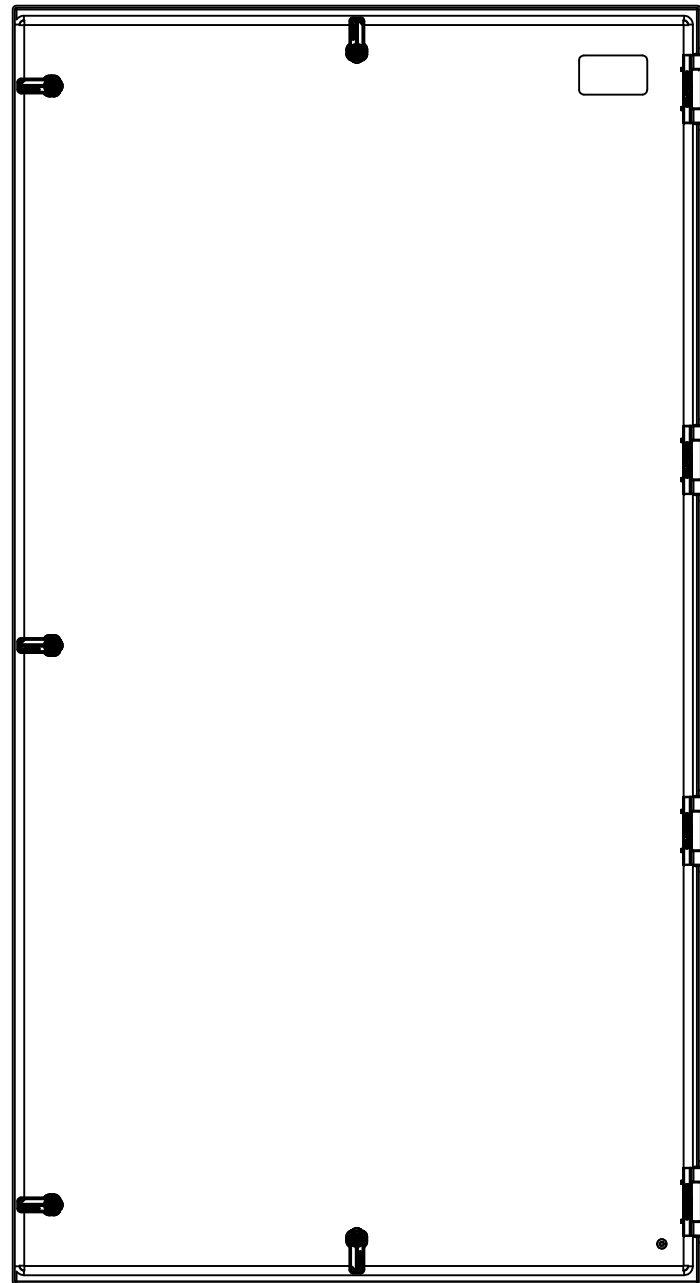
	Description	Status
	9412SS 72" x 36" x 24" Body	Released
	Part Number Numéro Pièce	Rev.
	9412SS723624B	0
		5 / 7

This drawing is confidential and must not be reproduced or used without the consent of EXM

Ce dessin est confidentiel et ne doit pas être reproduit ou utilisé sans le consentement de EXM



TOP

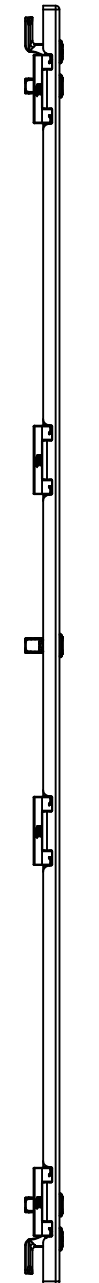


BACK



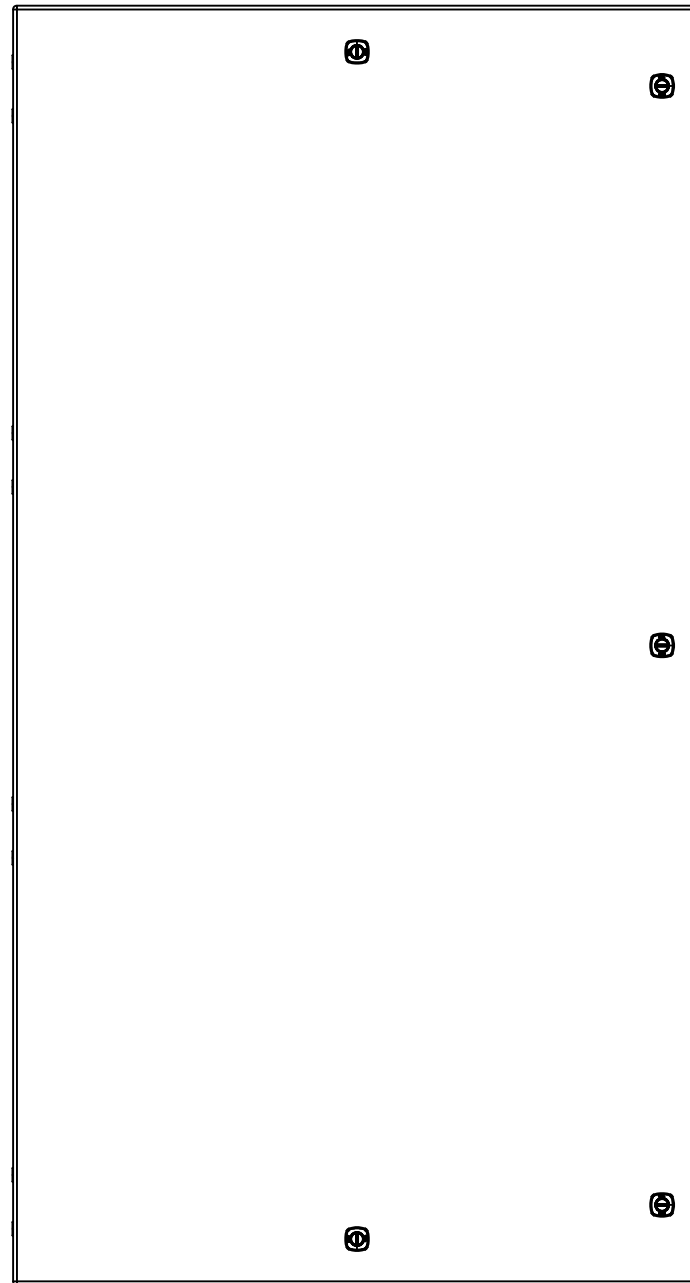
BOTTOM

0.000
0.835



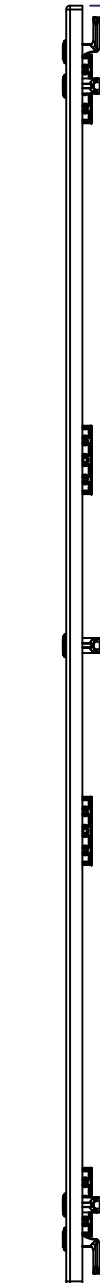
LEFT

0.000
35.312



FRONT

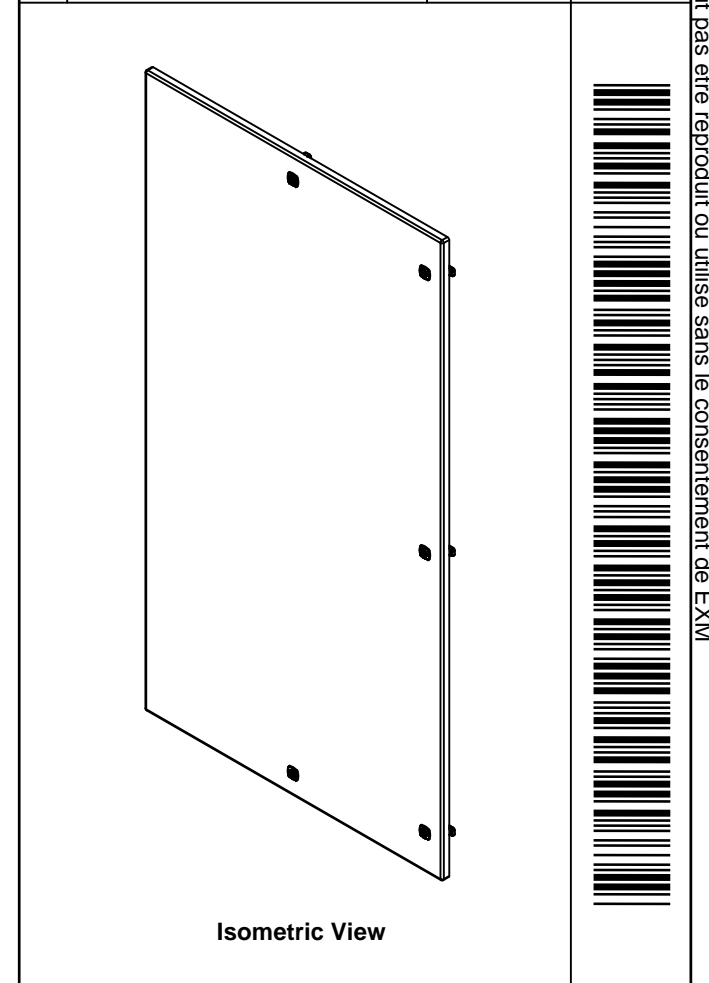
65.549


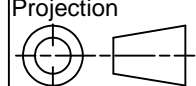


RIGHT

0.000

No.	Revisions	Date	By/Par



 Tél: (450) 979-4373 Fax: (450) 979-4626 www.exmweb.com		Flatness Aplatissement	
		Max 3.0mm	
Customer Client		Projection	
Date			
Drawn By Dessiné Par BoxCad: BoxCad		Date 09-Mar-22	
Material Matière 12 Ga Stainless Steel 304 (2.5mm)			
Color Couleur Unpainted		Finish Fini Brushed	
Description 9412SS 72" x 36" Cover		Detail Rev.	
Part Number Numéro Pièce 9412SS723624C		Rev. 0	1 3

SEE BILL OF MATERIAL ON LAST PAGE

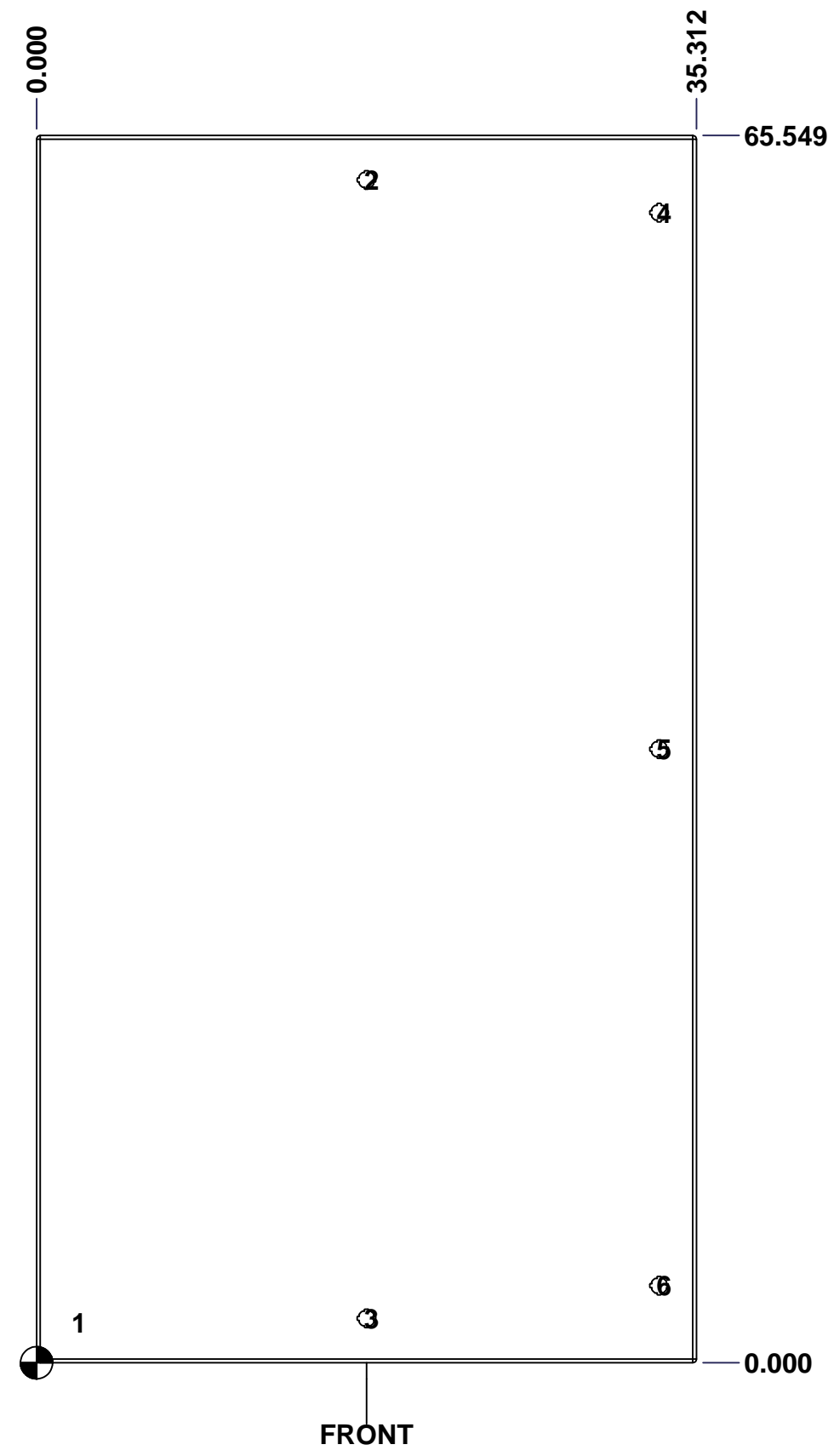
This drawing is confidential and must not be reproduced or used without the consent of EXM

Ce dessin est confidentiel et ne doit pas être reproduit ou utilisé sans le consentement de EXM

STANDARD FEATURES ARE NOT LISTED IN THIS HOLE TABLE

HOLE TABLE - FRONT VIEW (CUSTOM FEATURE ONLY)

CUT-OUT	XDIM	YDIM	DESCRIPTION
1	2.000	2.118	GND STUD M6 x 16mm (Inside)
2	17.656	63.180	LOCK 889 SCQ4-SLSS6 @ 90.0°
3	17.656	2.368	LOCK 889 SCQ4-SLSS6 @ 270.0°
4	33.312	61.430	LOCK 889 SCQ4-SLSS6 @ 0.0°
5	33.312	32.774	LOCK 889 SCQ4-SLSS6 @ 0.0°
6	33.312	4.118	LOCK 889 SCQ4-SLSS6 @ 0.0°

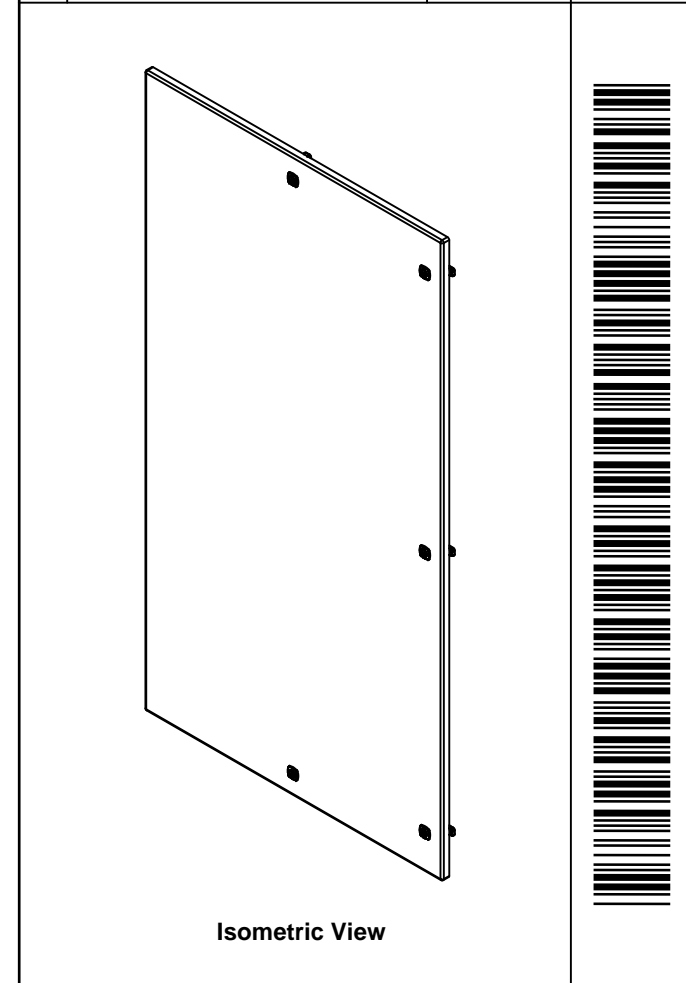


	Description	Status
	9412SS 72" x 36" Cover	(NULL)
	Part Number Numéro Pièce	Rev.
	9412SS723624C	0
		2
		3

This drawing is confidential and must not be reproduced or used without the consent of EXM

Ce dessin est confidentiel et ne doit pas être reproduit ou utilisé sans le consentement de EXM

No.	Revisions	Date	By/Par



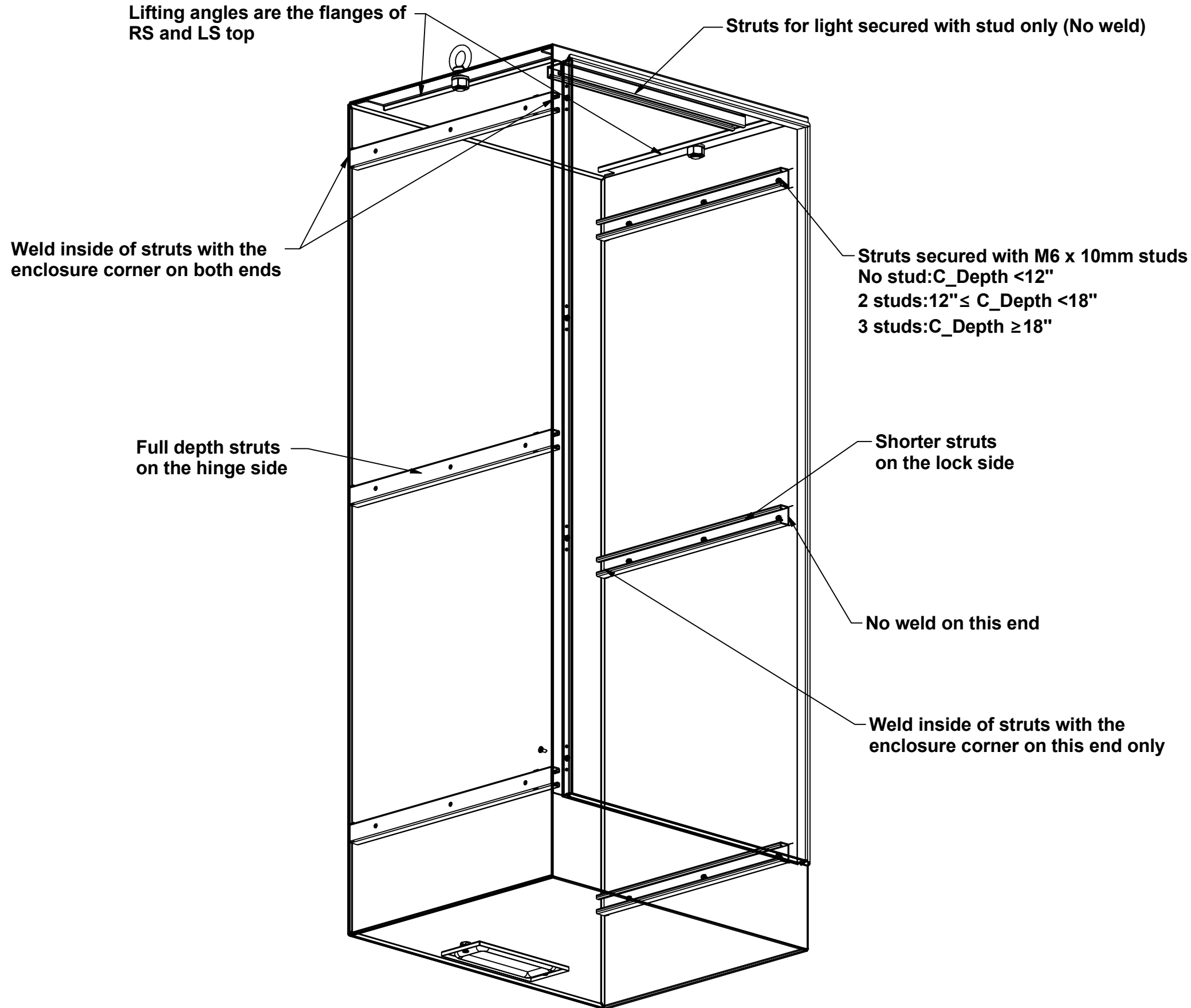
Tél: (450) 979-4373 Fax: (450) 979-4626 www.exmweb.com		Flatness Aplatissement	
		Max 3.0mm Projection	
Customer Client		Date	
Drawn By Dessiné Par		Date	
BoxCad: BoxCad		09-Mar-22	
Material Matière			
12 Ga Stainless Steel 304 (2.5mm)			
Color Couleur		Finish Fini	
Unpainted		Brushed	
Description			Detail Rev.
9412SS 72" x 36" Cover			
Part Number Numéro Pièce		Rev.	3
9412SS723624C		0	3

Qty	Part Name	Rev	Description
1	9412SS723624G	0	9412SS 72" x 36" Cover Gasket
1	STK-Q-16085	0	Ground Stud M6 x 16mm Stainless Steel
1	STK-S-00100	0	3.5" x 2" Silver Milar Flexcon Sticker
1	9412SS723624C-P	0	9412SS 72" x 36" Cover Part
4	STK-K-09870	7	Cabinet Hinge with Captive Pins
5	889 SCQ4-SLSS6	0	9412 SS 1/4 Turn Lock
Parts List			

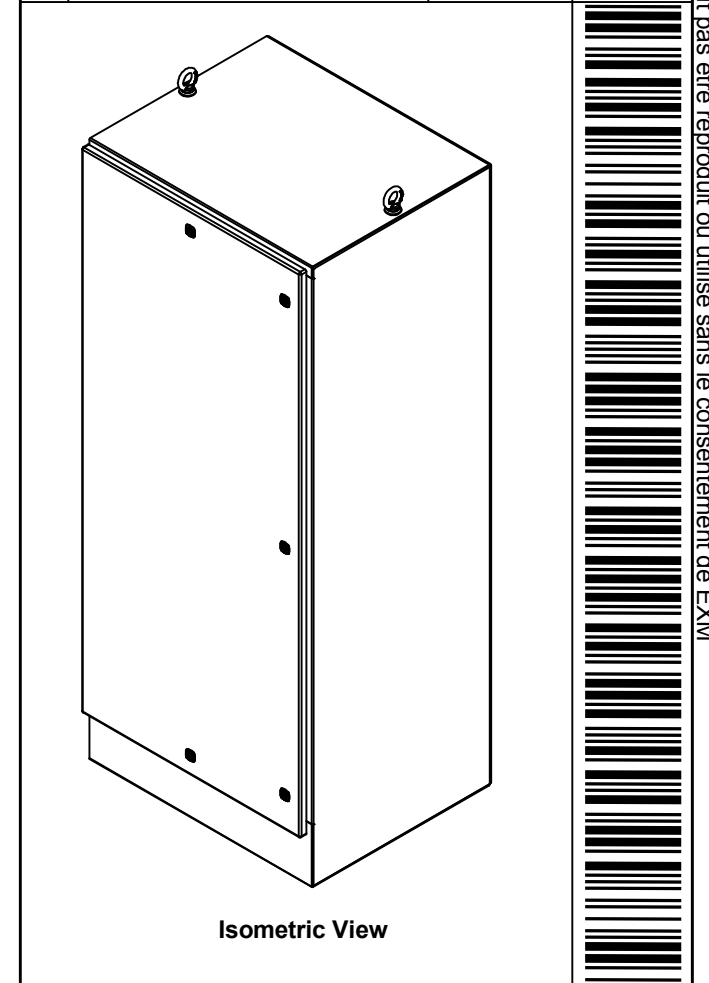
All knockouts are actual size / Les disques défonçables sont grandeur réel
 All dimensions are before paint / Toutes les dimensions sont avant peinture

This drawing is confidential and must not be reproduced or used without the consent of EXM

Ce dessin est confidentiel et ne doit pas être reproduit ou utilisé sans le consentement de EXM



No.	Revisions	Date	By/Par



Tél: (450) 979-4373 Fax: (450) 979-4626 www.exmweb.com		Flatness Aplatissement	
		Max 3.0mm	
Customer Client		Date	
Drawn By Dessiné Par PatrickD		Date 3/9/2020	
Material Matière		N/A	
Color Couleur	N/A	Finish Fini	N/A
Description 9412SS Welding Detail		Detail Rev.	
Part Number Numéro Pièce 9412SS_WELDING_DETAIL		Rev.	1
		1	1