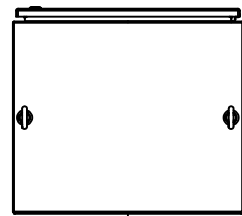
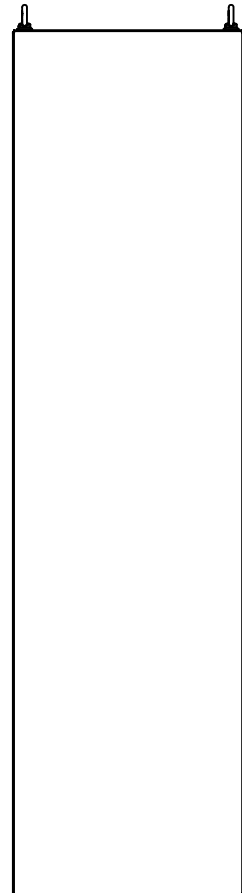


This drawing is confidential and must not be reproduced or used without the consent of EXM

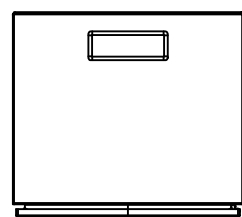
Ce dessin est confidentiel et ne doit pas être reproduit ou utilisé sans le consentement de EXM



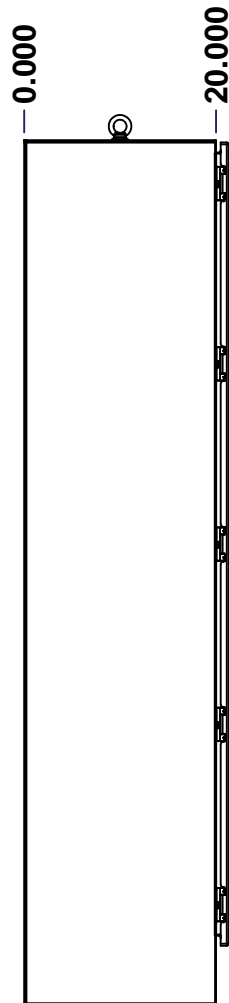
TOP



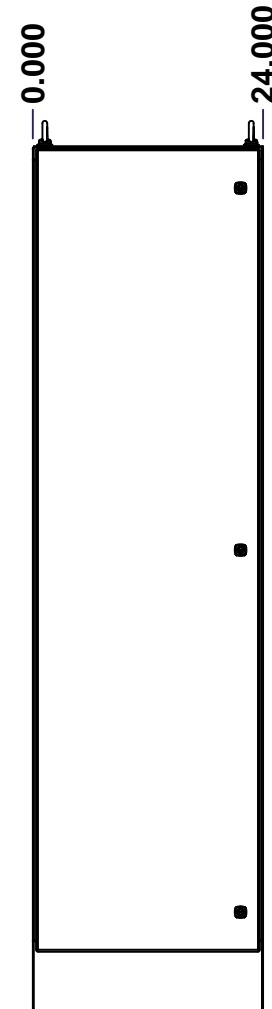
BACK



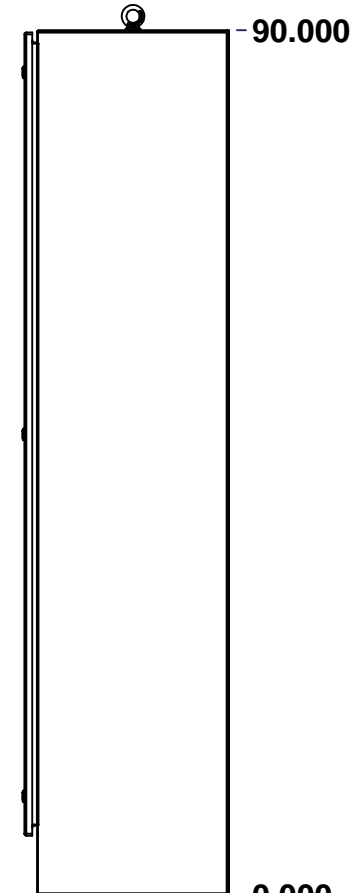
BOTTOM



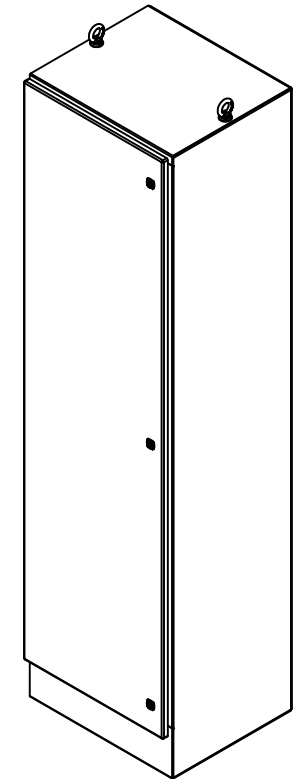
LEFT



FRONT



RIGHT




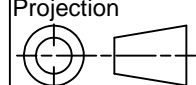
Isometric View



**GRAIN DIRECTION:
TOP/BOTTOM: HORIZONTAL
LEFT/RIGHT/BACK/FRONT: VERTICAL**

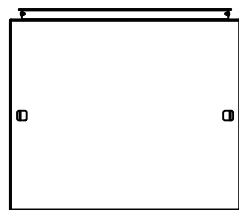
SEE BILL OF MATERIAL ON LAST PAGE

No.	Revisions	Date	By/Par

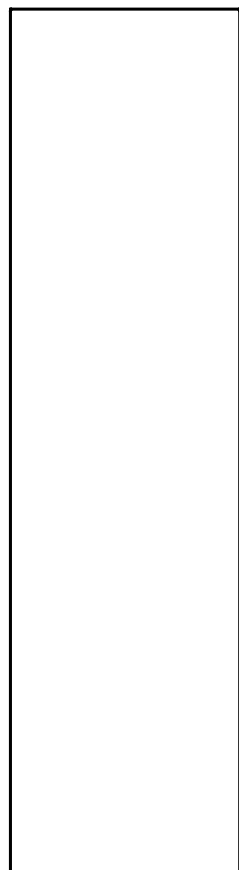
 Tél: (450) 979-4373 Fax: (450) 979-4626 www.exmweb.com		Flatness Aplatissement Max 3.0mm Projection 
Customer Client	Date	Date
Drawn By Dessiné Par	BoxCad: BoxCad	09-Mar-22
Material Matière	12 Ga Stainless Steel 304 (2.5mm)	
Color Couleur	Unpainted	Finish Fini Brushed
Description	9412SS 90" x 24" x 20" Assembly	
Part Number Numéro Pièce	9412SS902420	Detail Rev. Rev. 1 0 2

This drawing is confidential and must not be reproduced or used without the consent of EXM

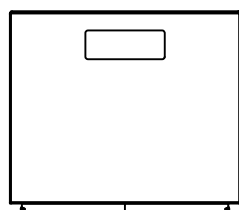
Ce dessin est confidentiel et ne doit pas être reproduit ou utilisé sans le consentement de EXM



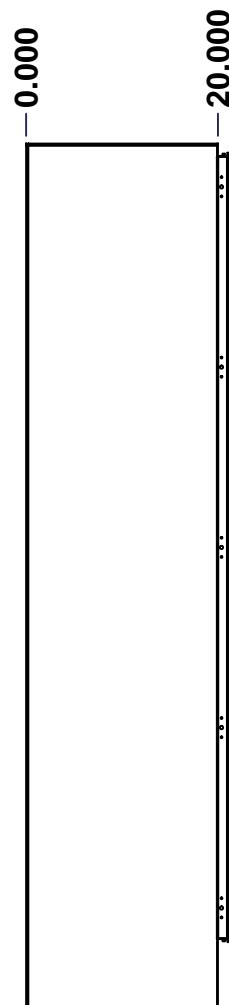
TOP



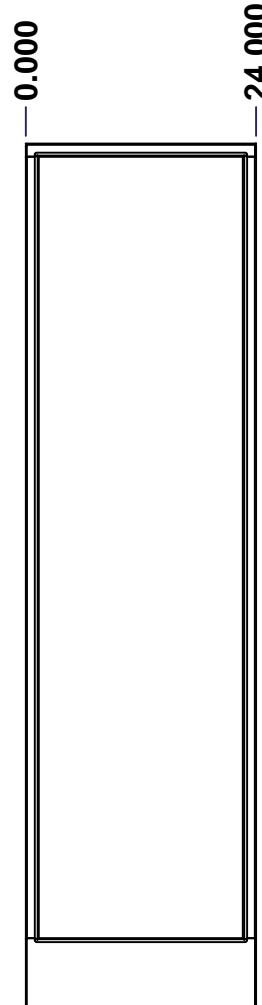
BACK



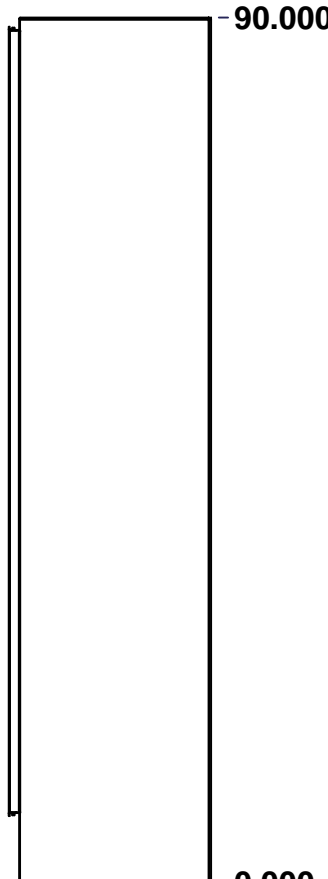
BOTTOM



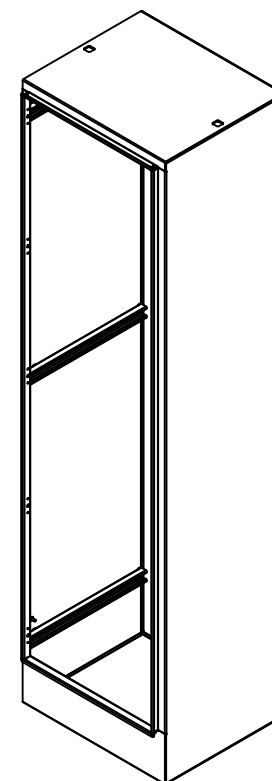
LEFT



FRONT





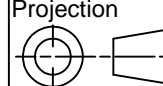
RIGHT



Isometric View



No.	Revisions	Date	By/Par

 Tél: (450) 979-4373 Fax: (450) 979-4626 www.exmweb.com		Flatness Aplatissement  Max 3.0mm Projection 
Customer Client	Date	
Drawn By Dessiné Par	BoxCad: BoxCad	Date 09-Mar-22
Material Matière	12 Ga Stainless Steel 304 (2.5mm)	
Color Couleur	Unpainted	Finish Fini Brushed
Description	Detail Rev.	
9412SS 90" x 24" x 20" Body		
Part Number Numéro Pièce	Rev.	1
9412SS902420B	0	2

SEE BILL OF MATERIAL ON LAST PAGE

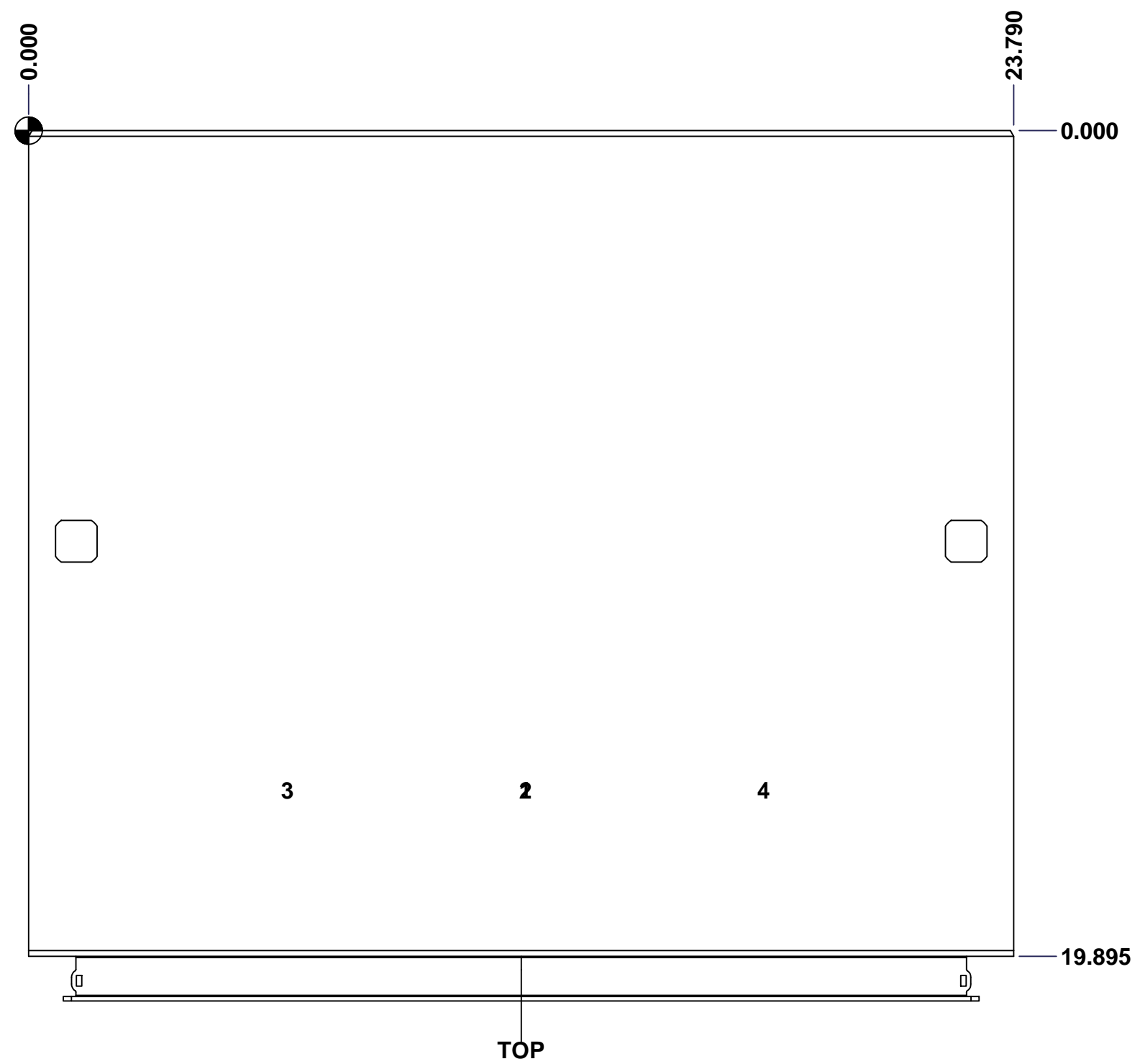
This drawing is confidential and must not be reproduced or used without the consent of EXM

Ce dessin est confidentiel et ne doit pas être reproduit ou utilisé sans le consentement de EXM

STANDARD FEATURES ARE NOT LISTED IN THIS HOLE TABLE

HOLE TABLE - TOP VIEW (CUSTOM FEATURE ONLY)

CUT-OUT	XDIM	YDIM	DESCRIPTION
1	11.895	15.895	Struts CR400 17.500" (Inside)
2	11.895	15.895	STUDS M6 x 10mm (Inside)
3	6.145	15.895	STUDS M6 x 10mm (Inside)
4	17.645	15.895	STUDS M6 x 10mm (Inside)



	Description	Status
	9412SS 90" x 24" x 20" Body	Released
	Part Number Numéro Pièce	Rev.
	9412SS902420B	0
		2 / 7

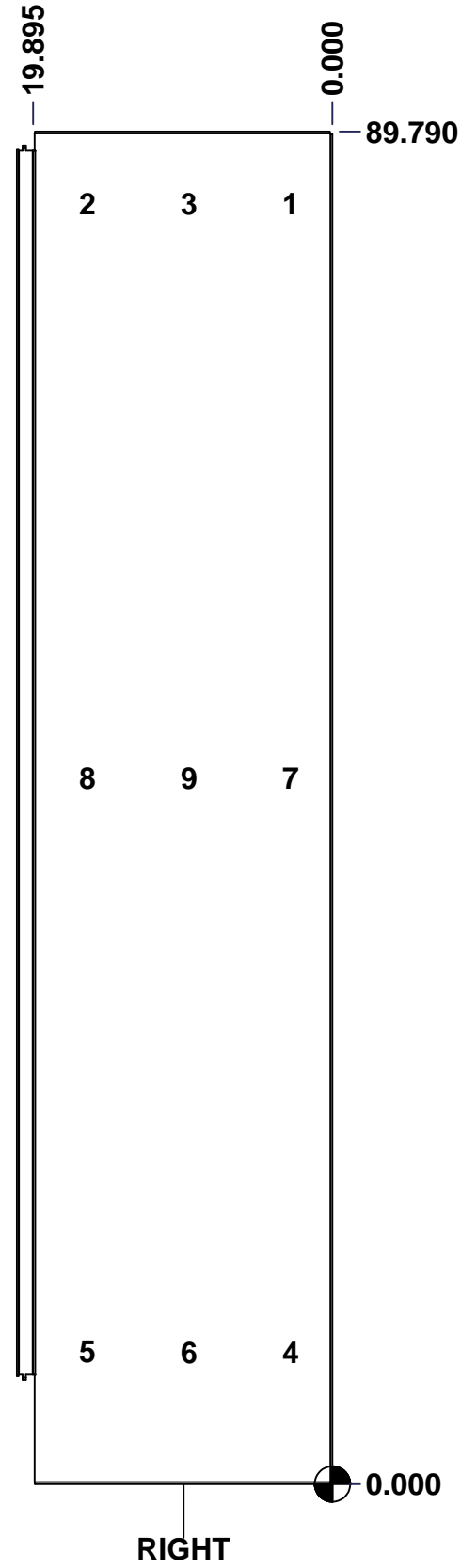
This drawing is confidential and must not be reproduced or used without the consent of EXM

Ce dessin est confidentiel et ne doit pas être reproduit ou utilisé sans le consentement de EXM

STANDARD FEATURES ARE NOT LISTED IN THIS HOLE TABLE

HOLE TABLE - RIGHT VIEW (CUSTOM FEATURE ONLY)

CUT-OUT	XDIM	YDIM	DESCRIPTION
1	3.145	85.020	STUDS M6 x 10mm (Inside)
2	16.645	85.020	STUDS M6 x 10mm (Inside)
3	9.895	85.020	STUDS M6 x 10mm (Inside)
4	3.145	8.770	STUDS M6 x 10mm (Inside)
5	16.645	8.770	STUDS M6 x 10mm (Inside)
6	9.895	8.770	STUDS M6 x 10mm (Inside)
7	3.145	46.895	STUDS M6 x 10mm (Inside)
8	16.645	46.895	STUDS M6 x 10mm (Inside)
9	9.895	46.895	STUDS M6 x 10mm (Inside)

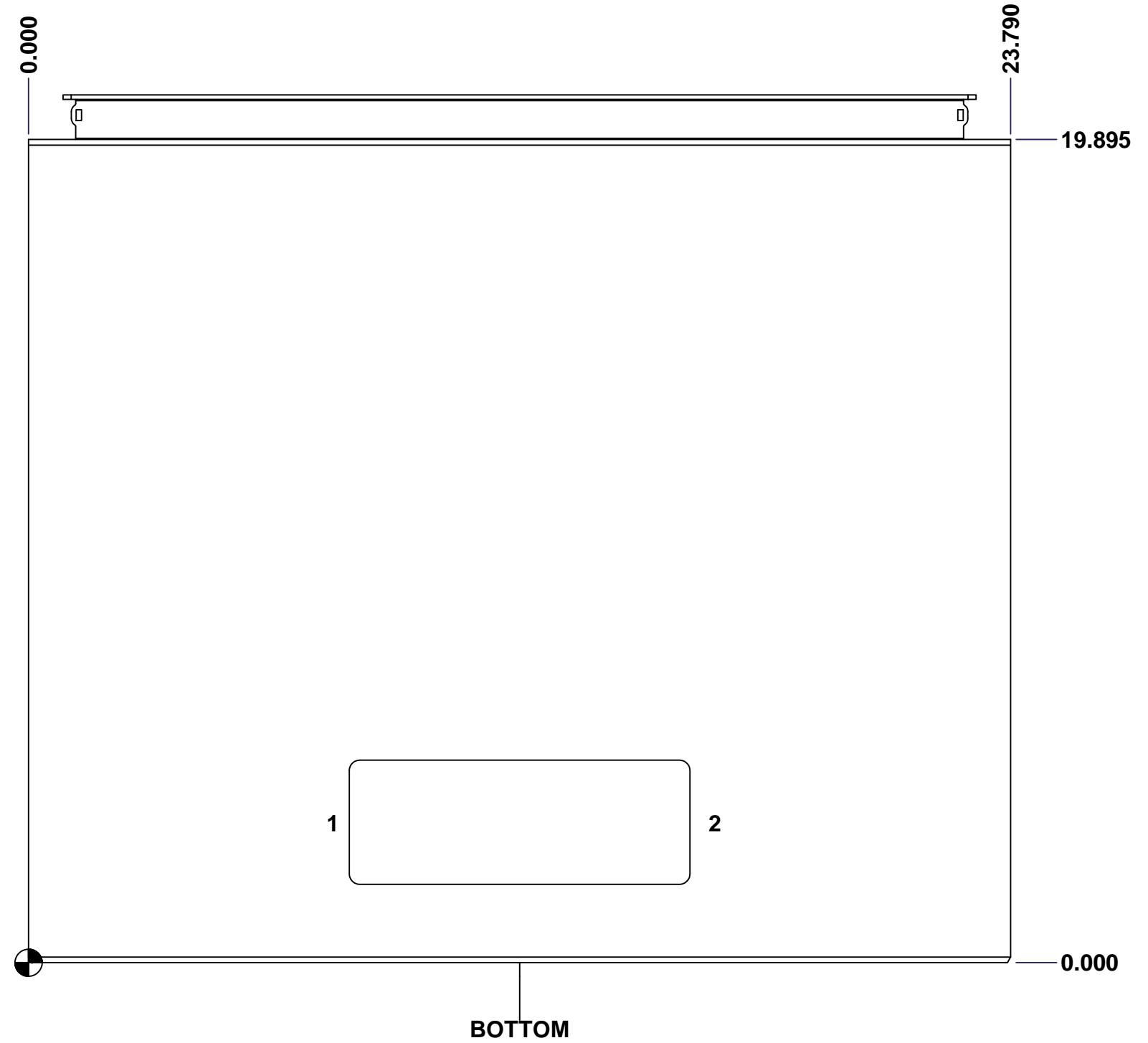


	Description		Status	
	9412SS 90" x 24" x 20" Body		Released	
Part Number Numéro Pièce		Rev.	3	
9412SS902420B		0	7	

This drawing is confidential and must not be reproduced or used without the consent of EXM

Ce dessin est confidentiel et ne doit pas être reproduit ou utilisé sans le consentement de EXM

STANDARD FEATURES ARE NOT LISTED IN THIS HOLE TABLE			
HOLE TABLE - BOTTOM VIEW (CUSTOM FEATURE ONLY)			
CUT-OUT	XDIM	YDIM	DESCRIPTION
1	7.270	3.395	GP STUD M6 x 16mm (Inside)
2	16.520	3.395	GP STUD M6 x 16mm (Inside)



	Description	Status	
	9412SS 90" x 24" x 20" Body	Released	
	Part Number Numéro Pièce	Rev.	
	9412SS902420B	0	4 / 7

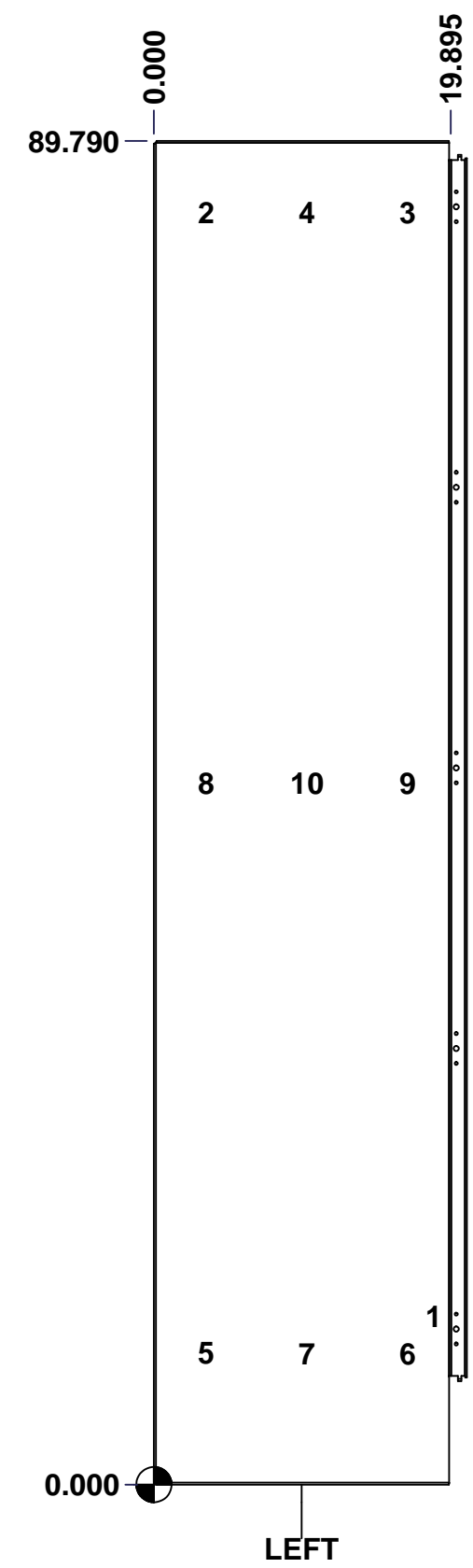
This drawing is confidential and must not be reproduced or used without the consent of EXM

Ce dessin est confidentiel et ne doit pas être reproduit ou utilisé sans le consentement de EXM

STANDARD FEATURES ARE NOT LISTED IN THIS HOLE TABLE

HOLE TABLE - LEFT VIEW (CUSTOM FEATURE ONLY)

CUT-OUT	XDIM	YDIM	DESCRIPTION
1	18.395	11.270	GND STUD M6 x 16mm (Inside)
2	3.145	85.020	STUDS M6 x 10mm (Inside)
3	16.645	85.020	STUDS M6 x 10mm (Inside)
4	9.895	85.020	STUDS M6 x 10mm (Inside)
5	3.145	8.770	STUDS M6 x 10mm (Inside)
6	16.645	8.770	STUDS M6 x 10mm (Inside)
7	9.895	8.770	STUDS M6 x 10mm (Inside)
8	3.145	46.895	STUDS M6 x 10mm (Inside)
9	16.645	46.895	STUDS M6 x 10mm (Inside)
10	9.895	46.895	STUDS M6 x 10mm (Inside)

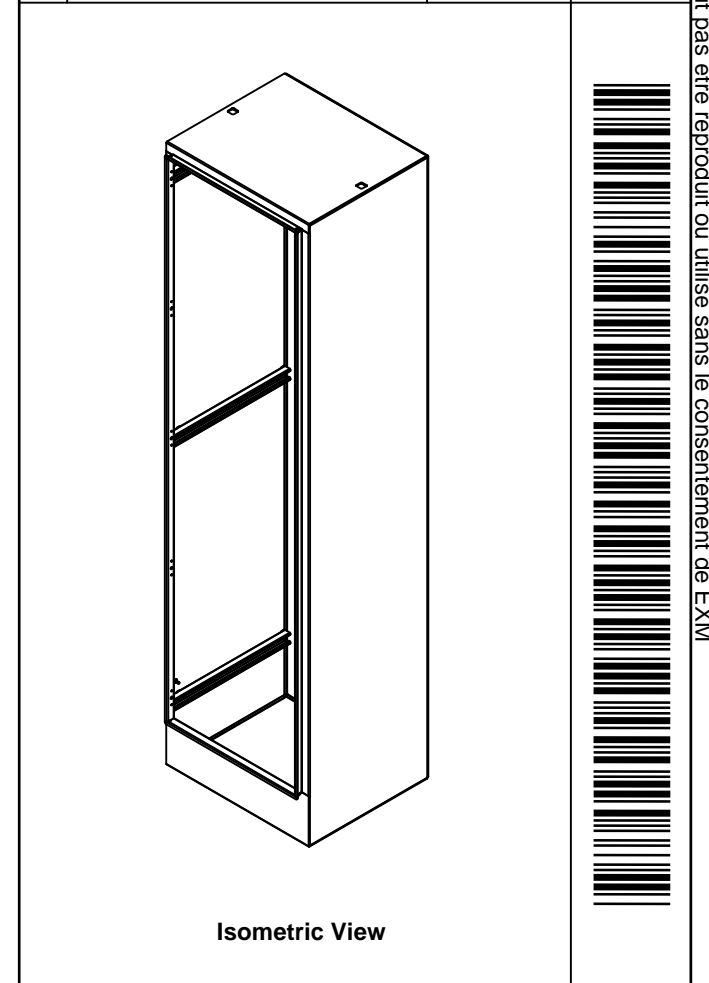


	Description	Status	
	9412SS 90" x 24" x 20" Body	Released	
	Part Number Numéro Pièce	Rev.	5
	9412SS902420B	0	7


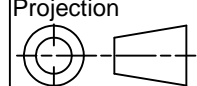
This drawing is confidential and must not be reproduced or used without the consent of EXM

Ce dessin est confidentiel et ne doit pas être reproduit ou utilisé sans le consentement de EXM

No.	Revisions	Date	By/Par

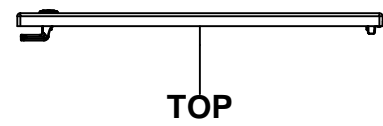


21	STK-Q-16040	0	Stud M6 x 10mm Stainless Steel
1	CR400SS_17.5	0	Commercial Roll Stainless Steel (17.5in long)
1	STK-Q-16085	0	Ground Stud M6 x 16mm Stainless Steel
2	STK-Q-16095	0	M6 x 16mm Stainless Steel Ground Stud
3	STK-Q-52500-20	0	Stainless Steel 304 Sasco Strut S5 (17.500" Long)
3	STK-Q-52550-20	0	Stainless Steel 304 Sasco Strut S5 (19.500" Long)
1	9412SS902420BT-P	0	9412SS 24" x 20" Bottom Part
1	9412SS902420T-P	0	9412SS 24" x 20" Top Part
1	9412SS902420RS-P	0	9412SS 90" x 24" Right Part
1	9412SS902420LS-P	0	9412SS 90" x 24" Left Part
1	9412SS902420B-P	0	9412SS 90" x 24" Back Part
21	STK-Q-07220	1	M6 Nylon Insert Lock Nut
Qty	Part Number	Rev	Description
Parts List			

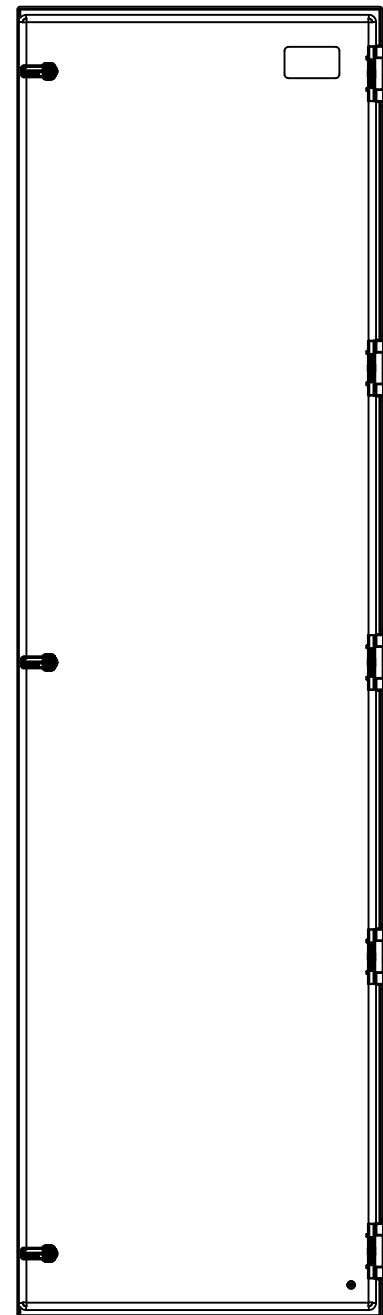
 Tél: (450) 979-4373 Fax: (450) 979-4626 www.exmweb.com	Flatness Aplatissement
	Max 3.0mm
Projection	
Customer Client	Date
Drawn By Dessiné Par	Date 09-Mar-22
Material Matière	12 Ga Stainless Steel 304 (2.5mm)
Color Couleur	Unpainted
Finish Fini	Brushed
Description	Detail Rev.
9412SS 90" x 24" x 20" Body	
Part Number Numéro Pièce	Rev. 2
9412SS902420B	0

This drawing is confidential and must not be reproduced or used without the consent of EXM

Ce dessin est confidentiel et ne doit pas être reproduit ou utilisé sans le consentement de EXM



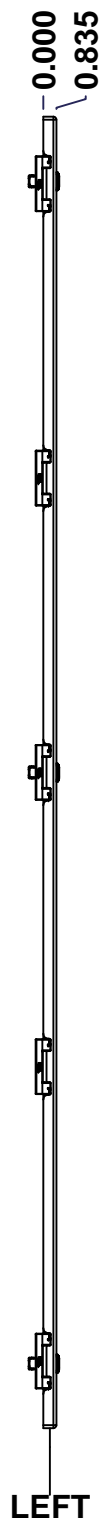
TOP



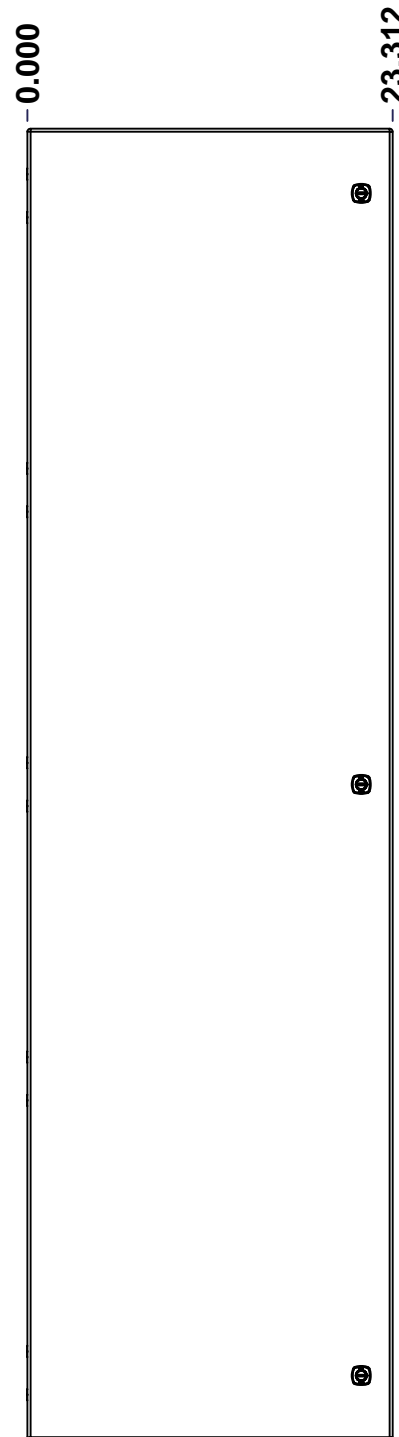
BACK



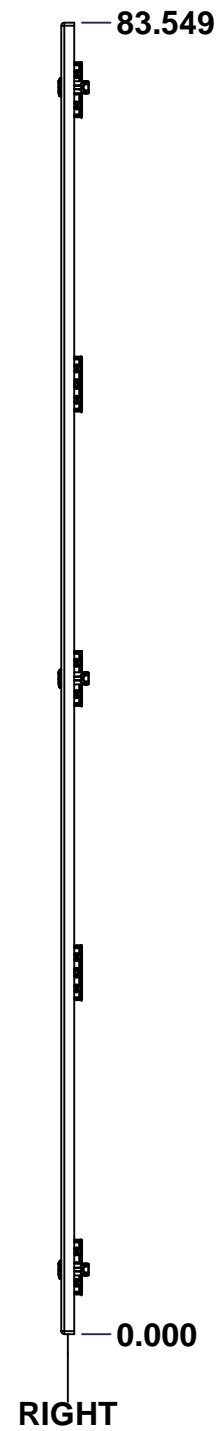
BOTTOM



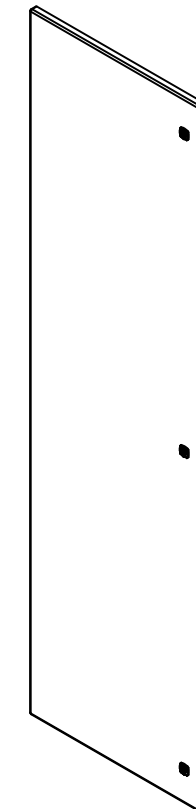
LEFT



FRONT



RIGHT



Isometric View



No.	Revisions	Date	By/Par

<p>Tél: (450) 979-4373 Fax: (450) 979-4626 www.exmweb.com</p>	<p>Flatness Aplatissement</p> <p>Max 3.0mm</p>
	<p>Projection</p>
Customer Client	Date
Drawn By / Dessiné Par: BoxCad: BoxCad	Date: 09-Mar-22
Material / Matière: 12 Ga Stainless Steel 304 (2.5mm)	
Color / Couleur: Unpainted	Finish / Fini: Brushed
Description: 9412SS 90" x 24" Cover	Detail Rev.
Part Number / Numéro Pièce: 9412SS902420C	Rev. 1/3

SEE BILL OF MATERIAL ON LAST PAGE

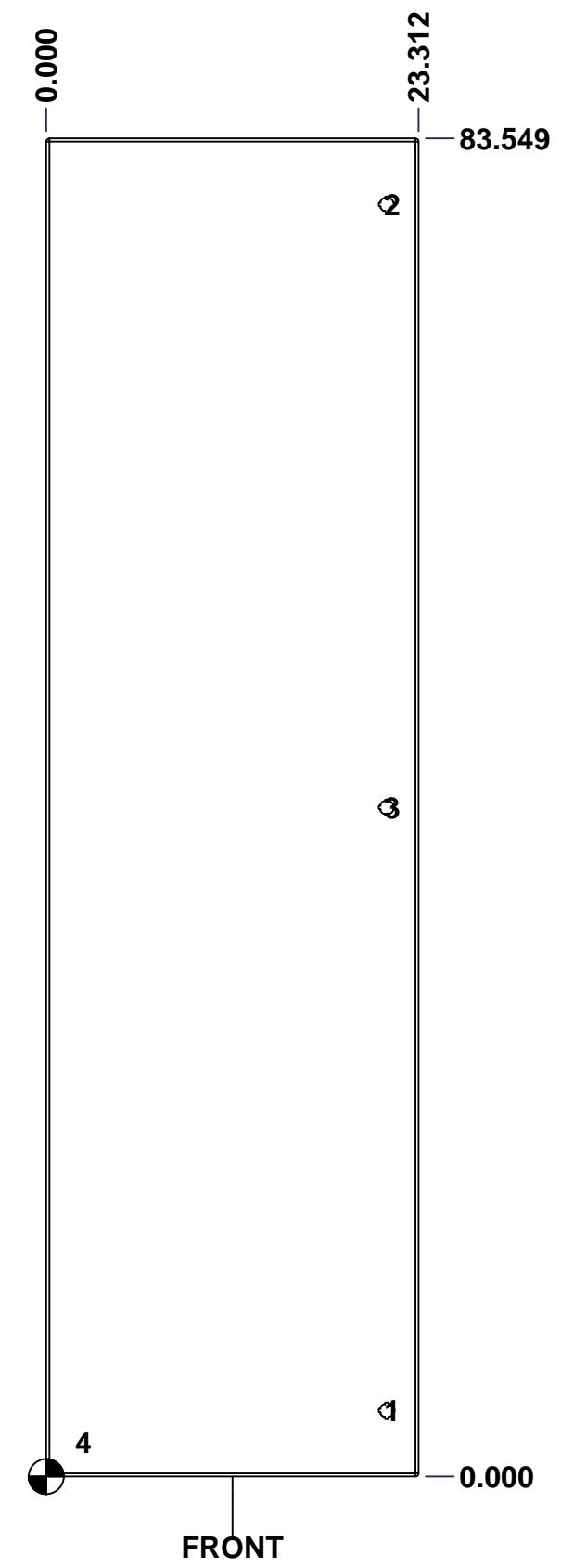
This drawing is confidential and must not be reproduced or used without the consent of EXM

Ce dessin est confidentiel et ne doit pas être reproduit ou utilisé sans le consentement de EXM

STANDARD FEATURES ARE NOT LISTED IN THIS HOLE TABLE

HOLE TABLE - FRONT VIEW (CUSTOM FEATURE ONLY)

CUT-OUT	XDIM	YDIM	DESCRIPTION
1	21.312	4.118	LOCK 889 SCQ4-SLSS6 @ 0.0°
2	21.312	79.430	LOCK 889 SCQ4-SLSS6 @ 0.0°
3	21.312	41.774	LOCK 889 SCQ4-SLSS6 @ 0.0°
4	2.000	2.118	GND STUD M6 x 16mm (Inside)

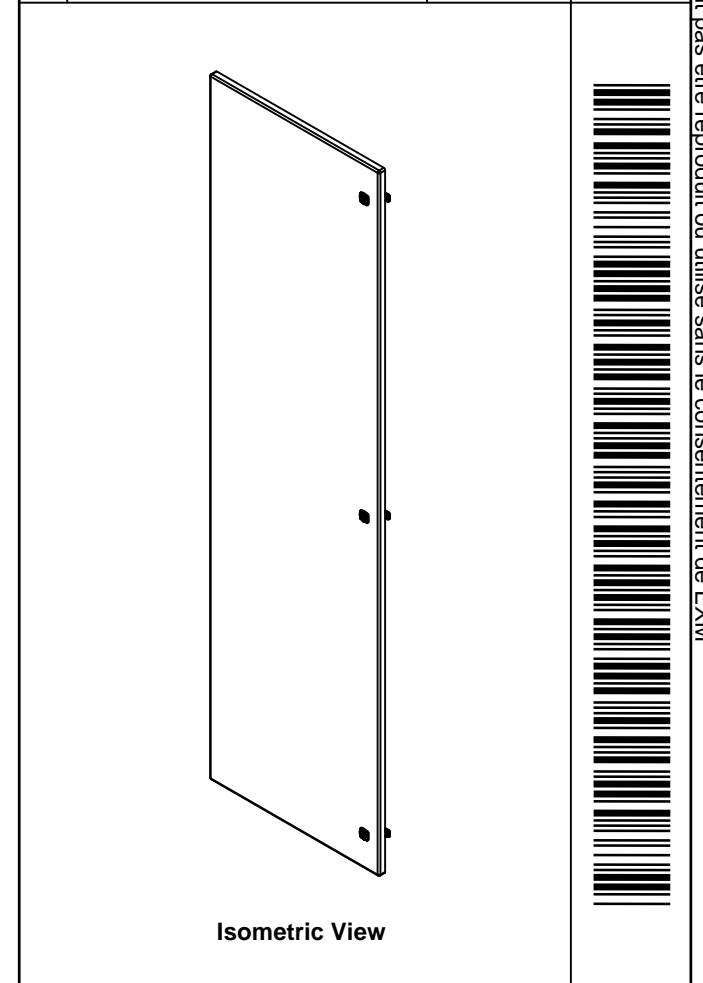



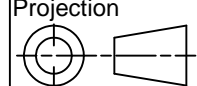
	Description	Status	
	9412SS 90" x 24" Cover	(NULL)	
	Part Number Numéro Pièce	Rev.	
	9412SS902420C	0	2 3

This drawing is confidential and must not be reproduced or used without the consent of EXM

Ce dessin est confidentiel et ne doit pas être reproduit ou utilisé sans le consentement de EXM

No.	Revisions	Date	By/Par



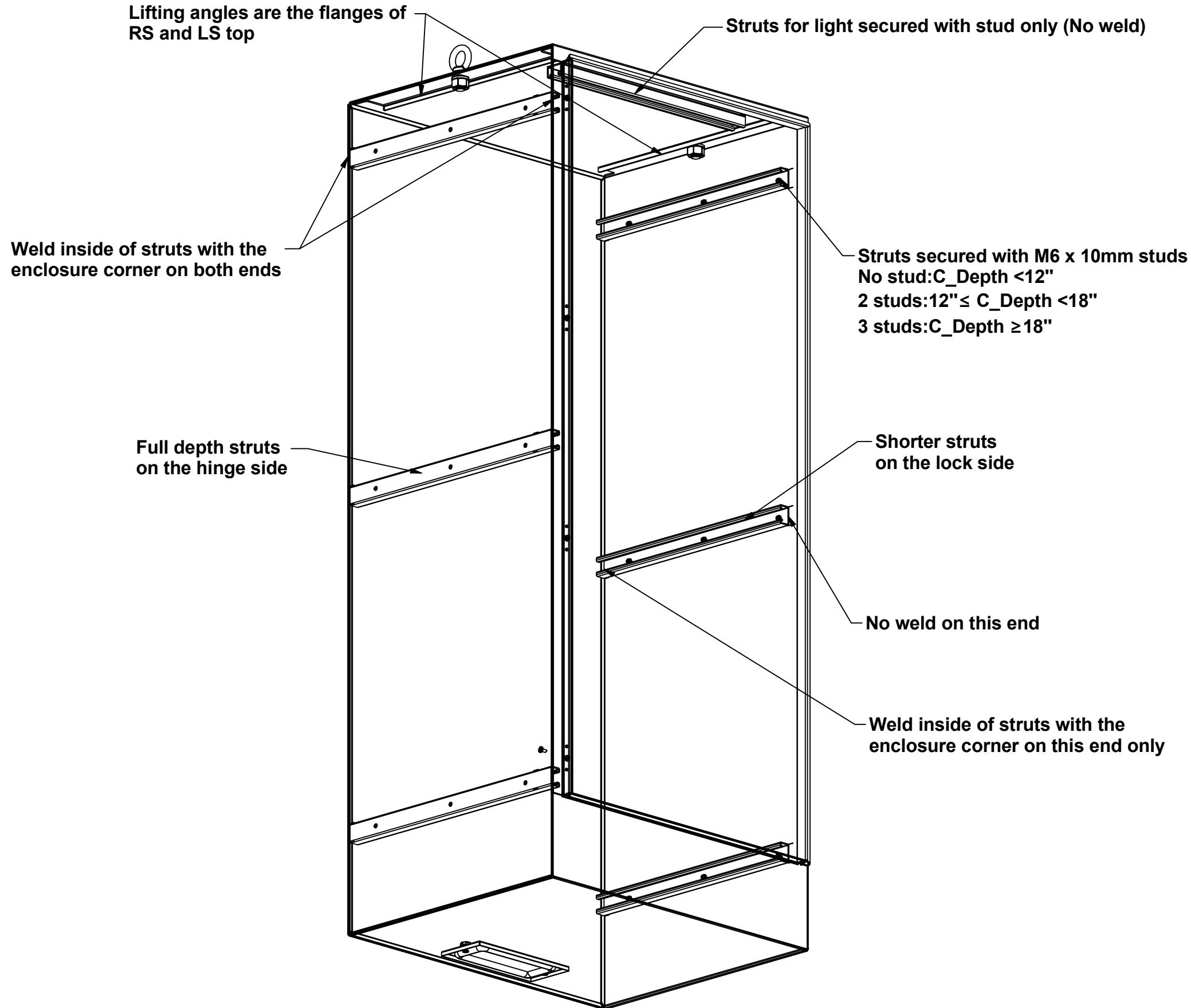
 Tél: (450) 979-4373 Fax: (450) 979-4626 www.exmweb.com		Flatness Aplatissement	
		Max 3.0mm	
Customer Client		Date	
Drawn By Dessiné Par		Date	
Material Matière		Projection	
12 Ga Stainless Steel 304 (2.5mm)			
Color Couleur		Finish Fini	
Unpainted		Brushed	
Description			Detail Rev.
9412SS 90" x 24" Cover			
Part Number Numéro Pièce		Rev.	
9412SS902420C		0	3

Qty	Part Name	Rev	Description
1	STK-Q-16085	0	Ground Stud M6 x 16mm Stainless Steel
1	9412SS902420G	0	9412SS 90" x 24" Cover Gasket
1	STK-S-00100	0	3.5" x 2" Silver Milar Flexcon Sticker
1	9412SS902420C-P	0	9412SS 90" x 24" Cover Part
5	STK-K-09870	7	Cabinet Hinge with Captive Pins
3	889 SCQ4-SLSS6	0	9412 SS 1/4 Turn Lock
Parts List			

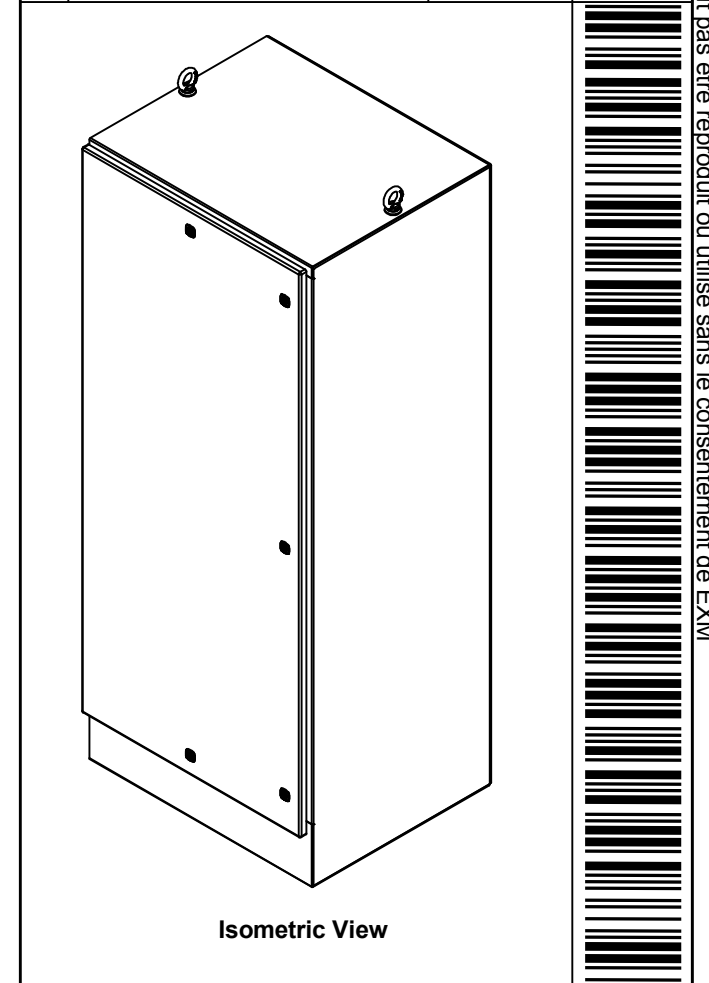
All knockouts are actual size / Les disques défonçables sont grandeur réel
 All dimensions are before paint / Toutes les dimensions sont avant peinture


This drawing is confidential and must not be reproduced or used without the consent of EXM

Ce dessin est confidentiel et ne doit pas être reproduit ou utilisé sans le consentement de EXM



No.	Revisions	Date	By/Par



 Tél: (450) 979-4373 Fax: (450) 979-4626 www.exmweb.com		Flatness Aplatissement
		Max 3.0mm
Customer Client		Date
Drawn By Dessiné Par PatrickD		Date 3/9/2020
Material Matière N/A		
Color Couleur N/A	Finish Fini N/A	
Description 9412SS Welding Detail		Detail Rev.
Part Number Numéro Pièce 9412SS_WELDING_DETAIL	Rev. 1	1 1