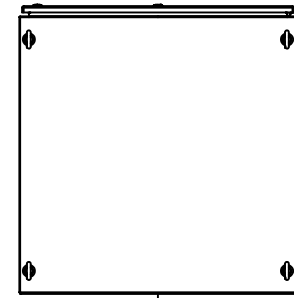
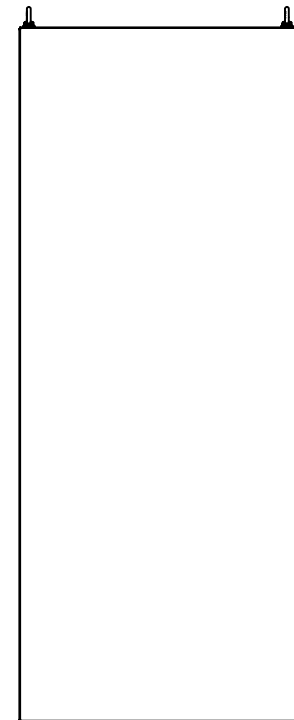


This drawing is confidential and must not be reproduced or used without the consent of EXM

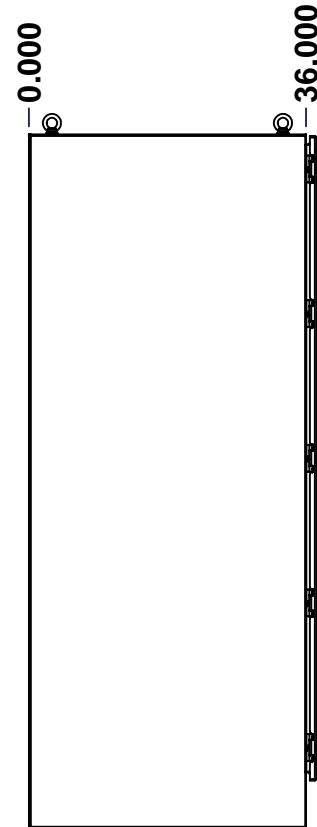
Ce dessin est confidentiel et ne doit pas être reproduit ou utilisé sans le consentement de EXM



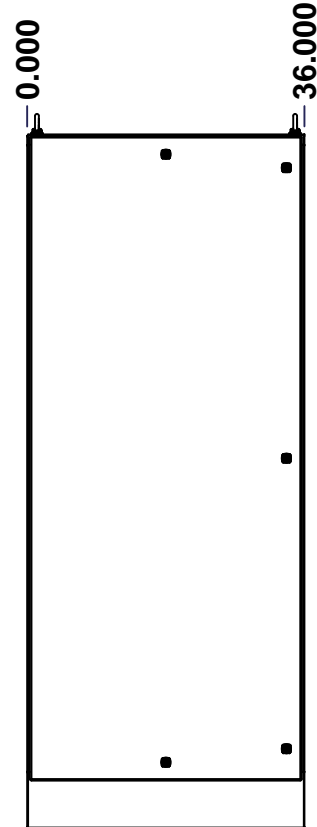
TOP



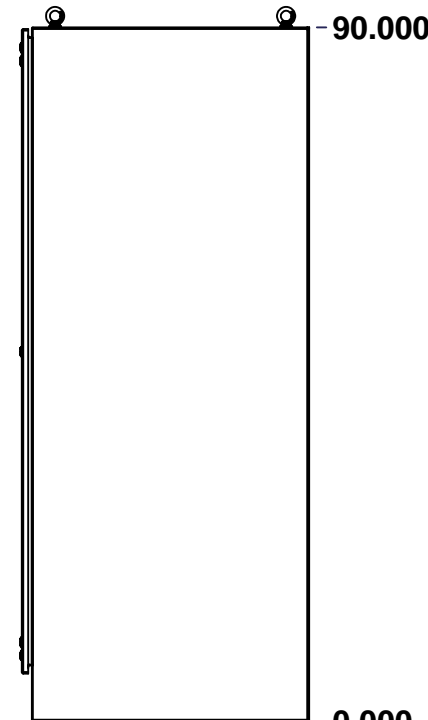
BACK



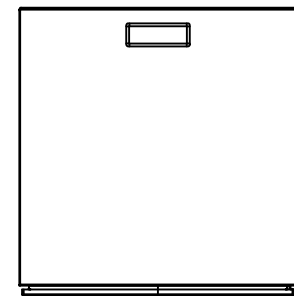
LEFT



FRONT

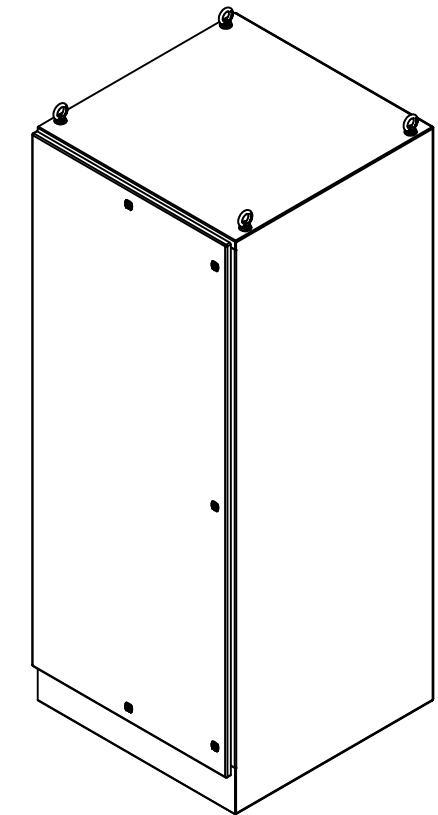


RIGHT



BOTTOM

No.	Revisions	Date	By/Par


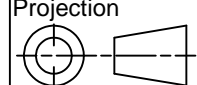


Isometric View



**GRAIN DIRECTION:
TOP/BOTTOM: HORIZONTAL
LEFT/RIGHT/BACK/FRONT: VERTICAL**

SEE BILL OF MATERIAL ON LAST PAGE

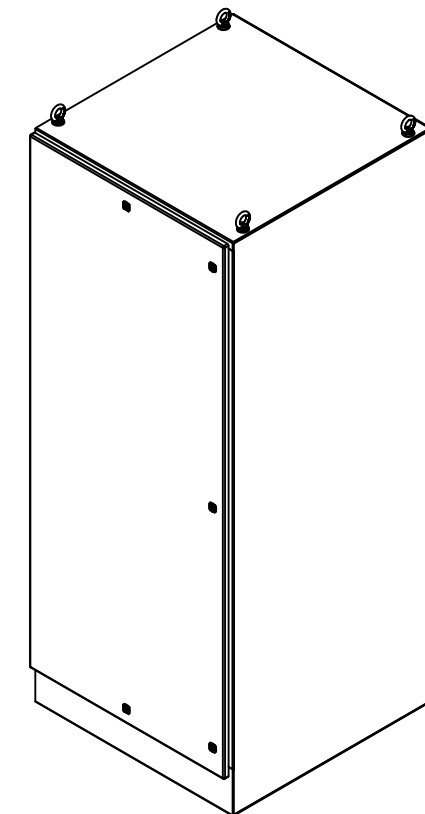
 Tél: (450) 979-4373 Fax: (450) 979-4626 www.exmweb.com		Flatness Aplatissement Max 3.0mm Projection 
Customer Client	Date	
Drawn By Dessiné Par	BoxCad: BoxCad	Date 09-Mar-22
Material Matière	12 Ga Stainless Steel 304 (2.5mm)	
Color Couleur	Unpainted	Finish Fini Brushed
Description	Detail Rev.	
9412SS 90" x 36" x 36" Assembly		
Part Number Numéro Pièce	Rev. 0	1 2
9412SS903636		

This drawing is confidential and must not be reproduced or used without the consent of EXM

Ce dessin est confidentiel et ne doit pas être reproduit ou utilisé sans le consentement de EXM

NOTE	
ITEM	DESCRIPTION
1	NEMA 4X Enclosure
2	C/W Standard ground studs on box and cover
3	W/O Standard door stiffener
4	W/O Inner panel
5	C/W Standard inner panel mounting struts
6	C/W Struts installed (Included)
7	C/W Eyebolts

No.	Revisions	Date	By/Par


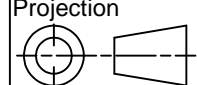


Isometric View



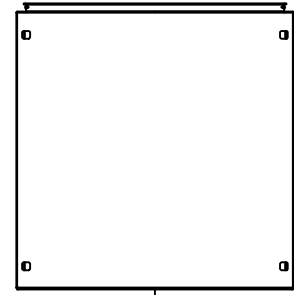
PACKING		
ITEM	QTY	DESCRIPTION
Cardboard sleeve	2	Top and Bottom
Cardboard strip	2	Between back of enclosure and inner panel
Plastic bag	1	To protect cover surface and inside gasket
Cardboard corner	4	To reinforced for the plastic strap tightening
Plastic strap - Black	2	To Squeeze 2 cardboard sleeve together
Packaging label	3	White label with PN
Plastic strap- Green	2	To secure the enclosure to the wood pallet
Wood Pallet	1	2" deeper and 3" larger than enclosure size

Qty	Part Number	Rev	Description
1	9412SS903636GP	0	9412SS Gland Plate
1	9412SS903636C	0	9412SS 90" x 36" Cover
1	9412SS903636B	0	9412SS 90" x 36" x 36" Body
2	880EB14SS	2	Stainless Steel Eye Bolt M14 (Pack of 2)
5	STK-Q-04051-10	8	M6 Hexagon Socket Head Machine Screw with Nyseal
Parts List			

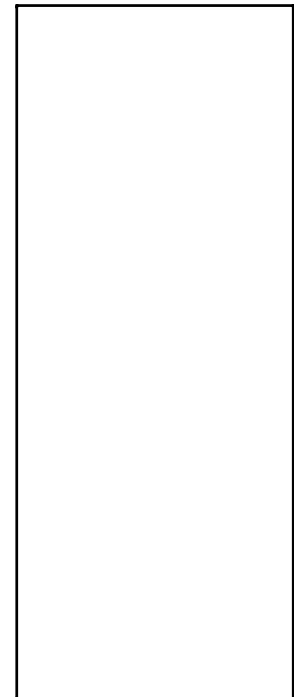
 Tél: (450) 979-4373 Fax: (450) 979-4626 www.exmweb.com		Flatness Aplatissement Max 3.0mm Projection 
Customer Client	Date	
Drawn By Dessiné Par	BoxCad: BoxCad	Date 09-Mar-22
Material Matière	12 Ga Stainless Steel 304 (2.5mm)	
Color Couleur	Unpainted	Finish Fini Brushed
Description	Detail Rev.	
9412SS 90" x 36" x 36" Assembly		
Part Number Numéro Pièce	9412SS903636	Rev. 2
		0

This drawing is confidential and must not be reproduced or used without the consent of EXM

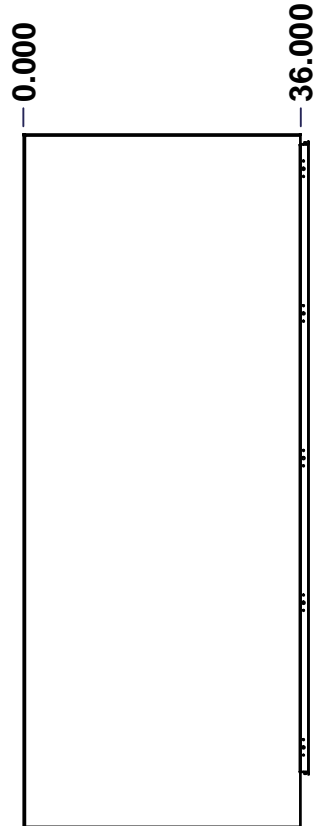
Ce dessin est confidentiel et ne doit pas être reproduit ou utilisé sans le consentement de EXM



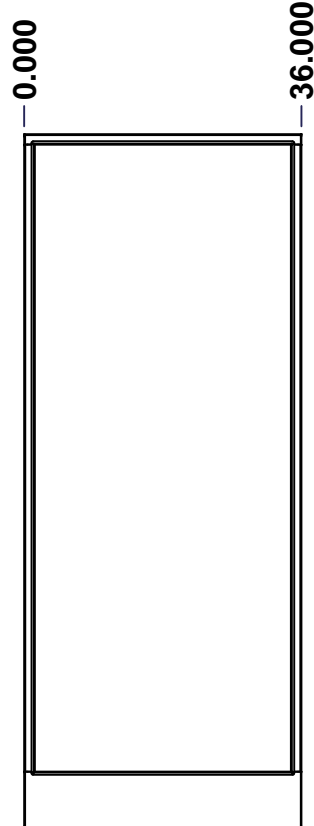
TOP



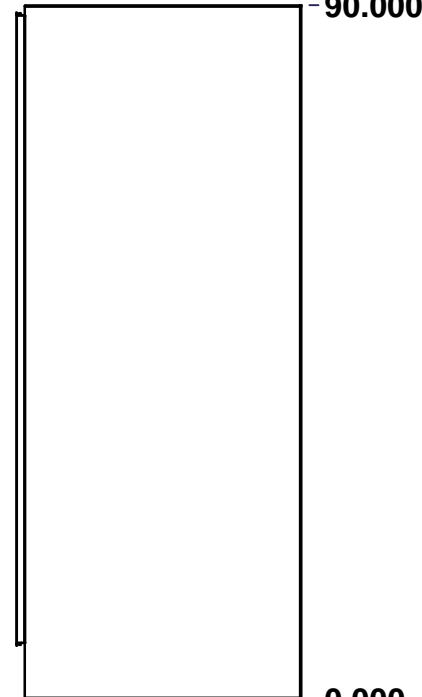
BACK



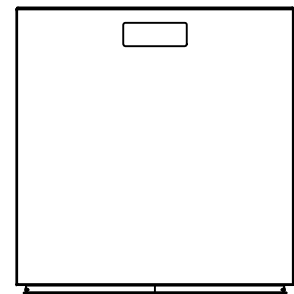
LEFT



FRONT

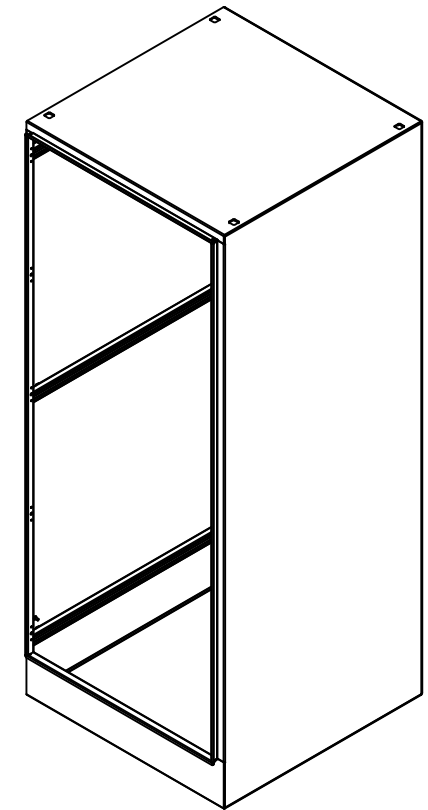


RIGHT




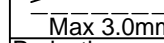
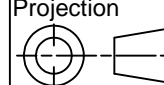
BOTTOM

No.	Revisions	Date	By/Par



Isometric View



 Tél: (450) 979-4373 Fax: (450) 979-4626 www.exmweb.com		Flatness Aplatissement  Max 3.0mm Projection 
Customer Client	Date	
Drawn By Dessiné Par	BoxCad: BoxCad	Date 09-Mar-22
Material Matière	12 Ga Stainless Steel 304 (2.5mm)	
Color Couleur	Unpainted	Finish Fini Brushed
Description	Detail Rev.	
9412SS 90" x 36" x 36" Body		
Part Number Numéro Pièce	Rev. 0	1 2
9412SS903636B		

SEE BILL OF MATERIAL ON LAST PAGE

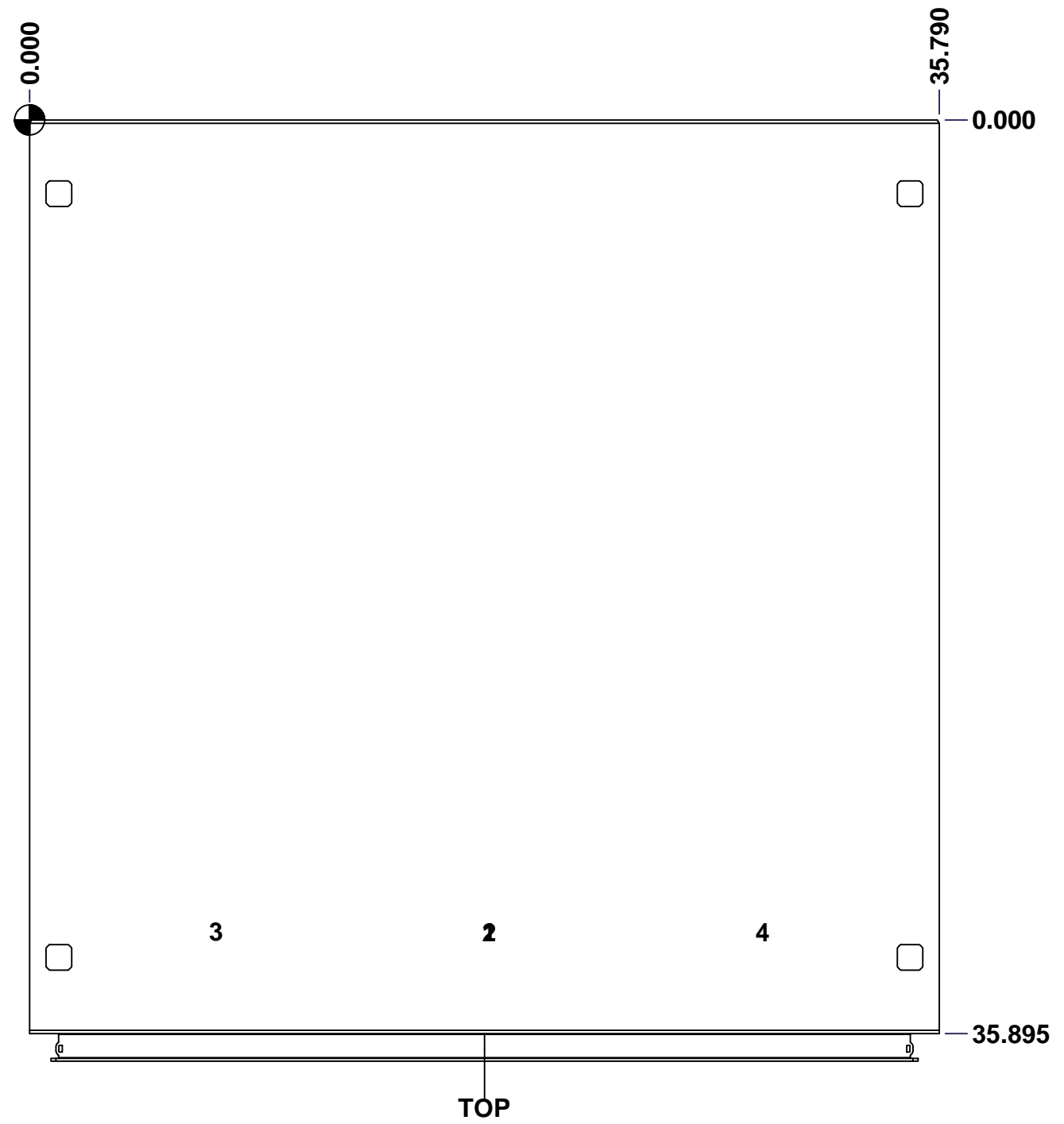
This drawing is confidential and must not be reproduced or used without the consent of EXM

Ce dessin est confidentiel et ne doit pas être reproduit ou utilisé sans le consentement de EXM

STANDARD FEATURES ARE NOT LISTED IN THIS HOLE TABLE

HOLE TABLE - TOP VIEW (CUSTOM FEATURE ONLY)

CUT-OUT	XDIM	YDIM	DESCRIPTION
1	17.895	31.895	Struts CR400 27.500" (Inside)
2	17.895	31.895	STUDS M6 x 10mm (Inside)
3	7.145	31.895	STUDS M6 x 10mm (Inside)
4	28.645	31.895	STUDS M6 x 10mm (Inside)



	Description	Status
	9412SS 90" x 36" x 36" Body	Released
	Part Number Numéro Pièce	Rev.
	9412SS903636B	0
		2 / 7

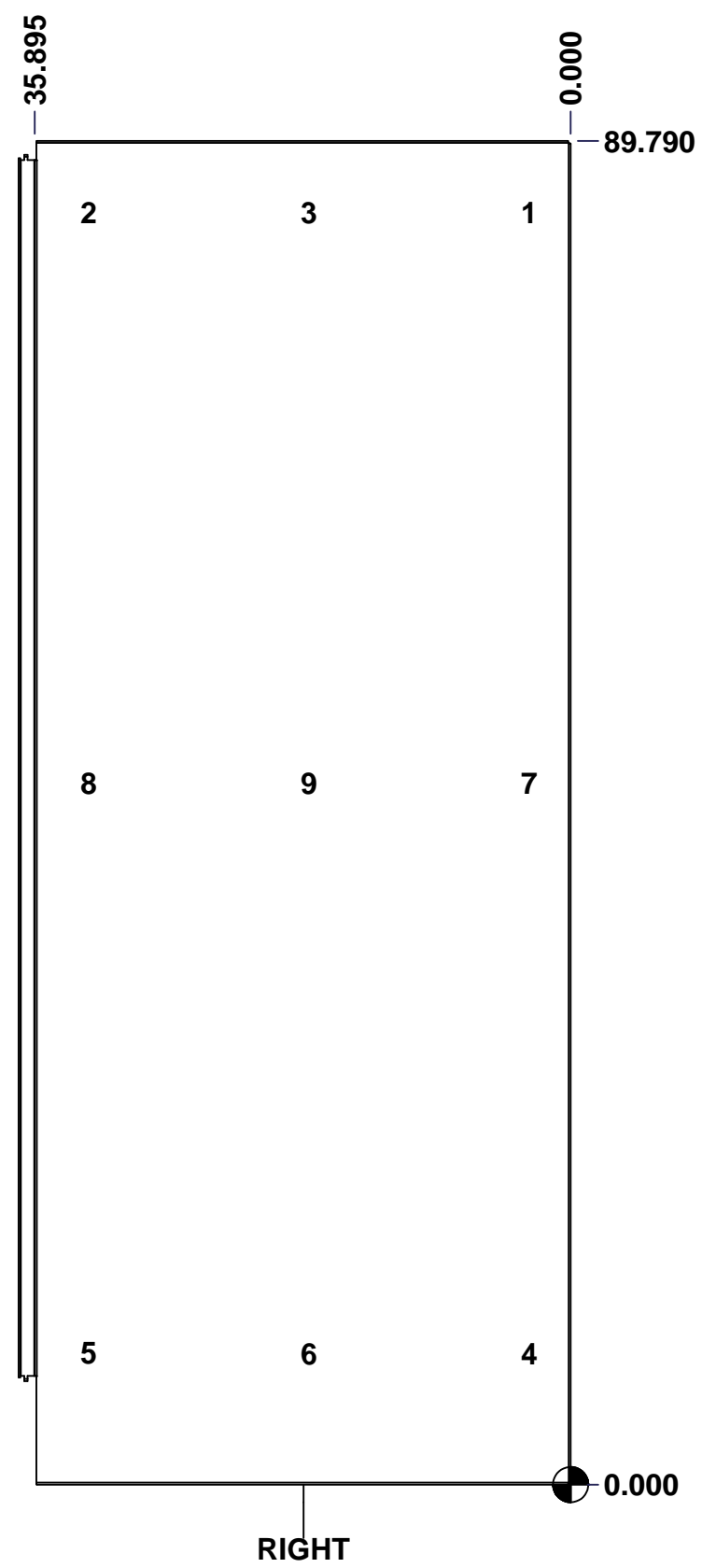
This drawing is confidential and must not be reproduced or used without the consent of EXM

Ce dessin est confidentiel et ne doit pas être reproduit ou utilisé sans le consentement de EXM

STANDARD FEATURES ARE NOT LISTED IN THIS HOLE TABLE

HOLE TABLE - RIGHT VIEW (CUSTOM FEATURE ONLY)

CUT-OUT	XDIM	YDIM	DESCRIPTION
1	3.145	85.020	STUDS M6 x 10mm (Inside)
2	32.645	85.020	STUDS M6 x 10mm (Inside)
3	17.895	85.020	STUDS M6 x 10mm (Inside)
4	3.145	8.770	STUDS M6 x 10mm (Inside)
5	32.645	8.770	STUDS M6 x 10mm (Inside)
6	17.895	8.770	STUDS M6 x 10mm (Inside)
7	3.145	46.895	STUDS M6 x 10mm (Inside)
8	32.645	46.895	STUDS M6 x 10mm (Inside)
9	17.895	46.895	STUDS M6 x 10mm (Inside)

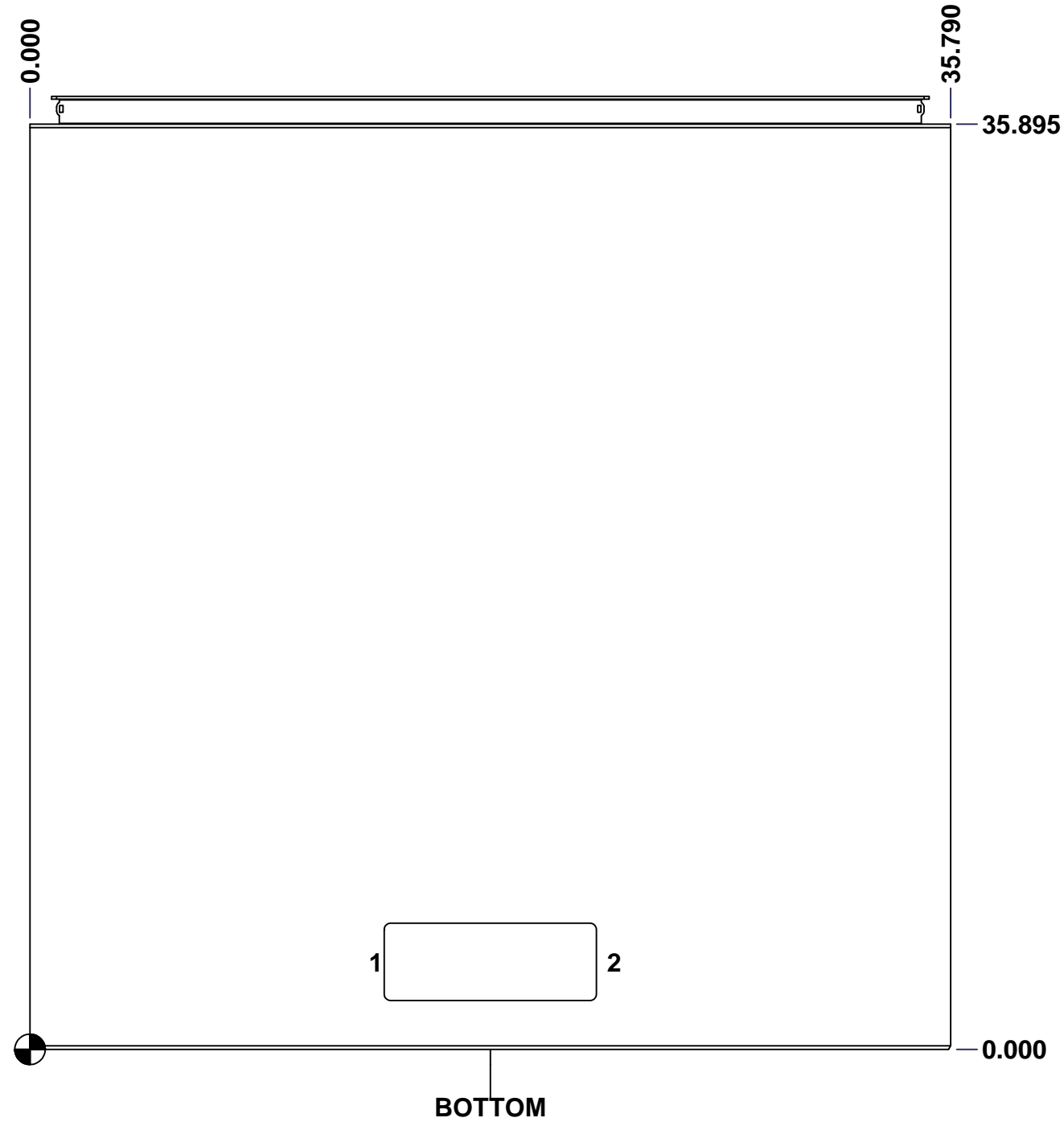


	Description	Status
	9412SS 90" x 36" x 36" Body	Released
	Part Number Numéro Pièce	Rev.
	9412SS903636B	0
		3 / 7

This drawing is confidential and must not be reproduced or used without the consent of EXM

Ce dessin est confidentiel et ne doit pas être reproduit ou utilisé sans le consentement de EXM

STANDARD FEATURES ARE NOT LISTED IN THIS HOLE TABLE			
HOLE TABLE - BOTTOM VIEW (CUSTOM FEATURE ONLY)			
CUT-OUT	XDIM	YDIM	DESCRIPTION
1	13.270	3.395	GP STUD M6 x 16mm (Inside)
2	22.520	3.395	GP STUD M6 x 16mm (Inside)



	Description	Status
	9412SS 90" x 36" x 36" Body	Released
	Part Number Numéro Pièce	Rev.
	9412SS903636B	0
		4
		7

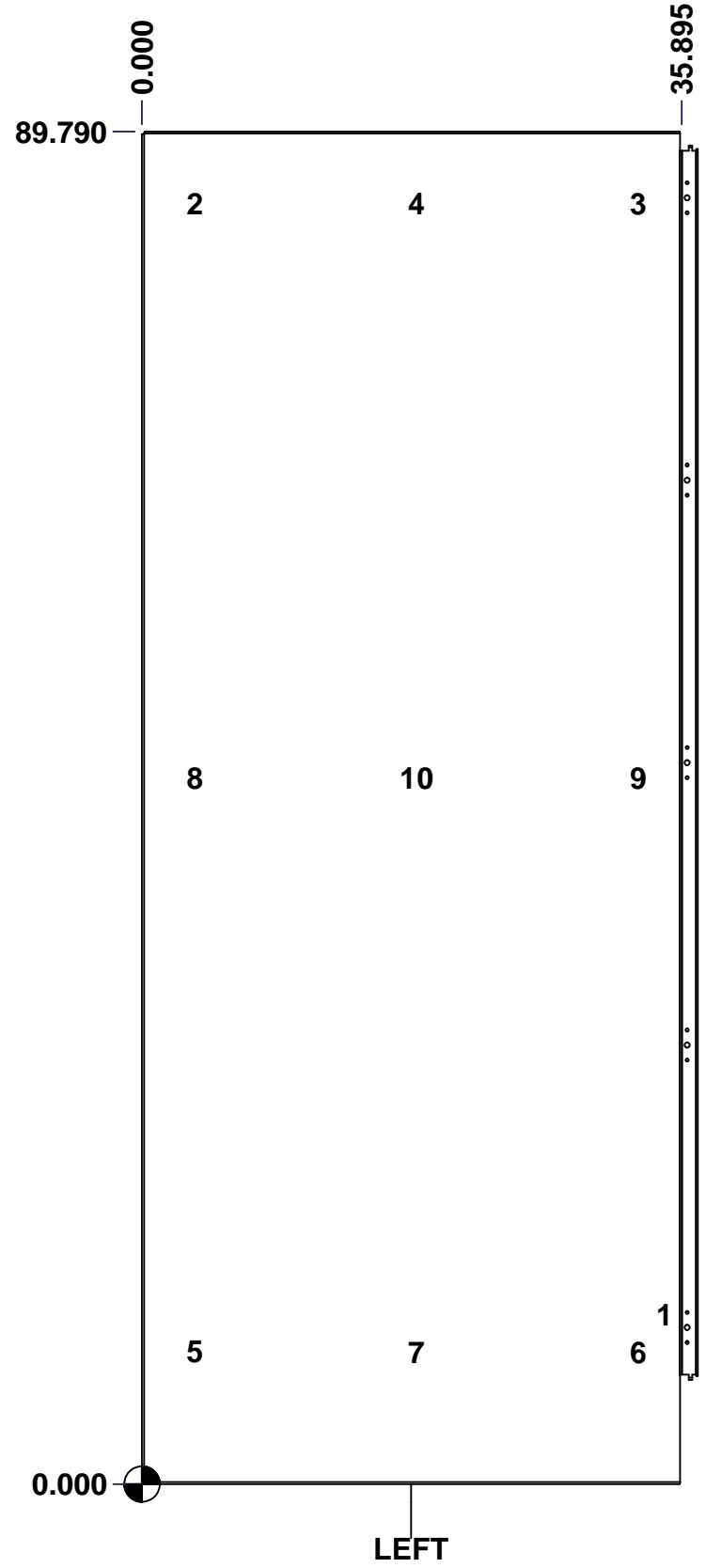
This drawing is confidential and must not be reproduced or used without the consent of EXM

Ce dessin est confidentiel et ne doit pas être reproduit ou utilisé sans le consentement de EXM

STANDARD FEATURES ARE NOT LISTED IN THIS HOLE TABLE

HOLE TABLE - LEFT VIEW (CUSTOM FEATURE ONLY)

CUT-OUT	XDIM	YDIM	DESCRIPTION
1	34.395	11.270	GND STUD M6 x 16mm (Inside)
2	3.145	85.020	STUDS M6 x 10mm (Inside)
3	32.645	85.020	STUDS M6 x 10mm (Inside)
4	17.895	85.020	STUDS M6 x 10mm (Inside)
5	3.145	8.770	STUDS M6 x 10mm (Inside)
6	32.645	8.770	STUDS M6 x 10mm (Inside)
7	17.895	8.770	STUDS M6 x 10mm (Inside)
8	3.145	46.895	STUDS M6 x 10mm (Inside)
9	32.645	46.895	STUDS M6 x 10mm (Inside)
10	17.895	46.895	STUDS M6 x 10mm (Inside)

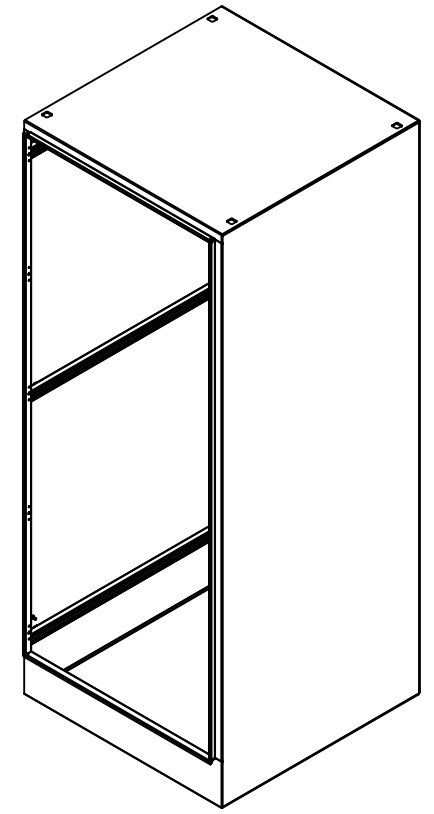


	Description	Status
	9412SS 90" x 36" x 36" Body	Released
	Part Number Numéro Pièce	Rev.
	9412SS903636B	0
		5
		7

This drawing is confidential and must not be reproduced or used without the consent of EXM

Ce dessin est confidentiel et ne doit pas être reproduit ou utilisé sans le consentement de EXM

No.	Revisions	Date	By/Par




Isometric View



21	STK-Q-16040	0	Stud M6 x 10mm Stainless Steel
1	STK-Q-16085	0	Ground Stud M6 x 16mm Stainless Steel
1	CR400SS_27.5	0	Commercial Roll Stainless Steel (27.5in long)
2	STK-Q-16095	0	M6 x 16mm Stainless Steel Ground Stud
3	STK-Q-52500-36	0	Stainless Steel 304 Sasco Strut S5 (33.500" Long)
3	STK-Q-52550-36	0	Stainless Steel 304 Sasco Strut S5 (35.500" Long)
1	9412SS903636BT-P	0	9412SS 36" x 36" Bottom Part
1	9412SS903636T-P	0	9412SS 36" x 36" Top Part
1	9412SS903636RS-P	0	9412SS 90" x 36" Right Part
1	9412SS903636LS-P	0	9412SS 90" x 36" Left Part
1	9412SS903636B-P	0	9412SS 90" x 36" Back Part
21	STK-Q-07220	1	M6 Nylon Insert Lock Nut
Qty	Part Number	Rev	Description

Parts List

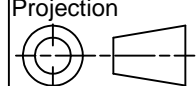


Tél: (450) 979-4373
Fax: (450) 979-4626
www.exmweb.com

Flatness
Aplatissement

Max 3.0mm

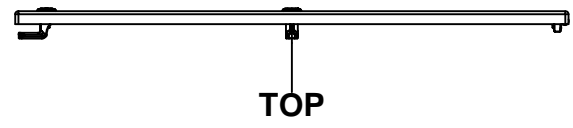
Projection



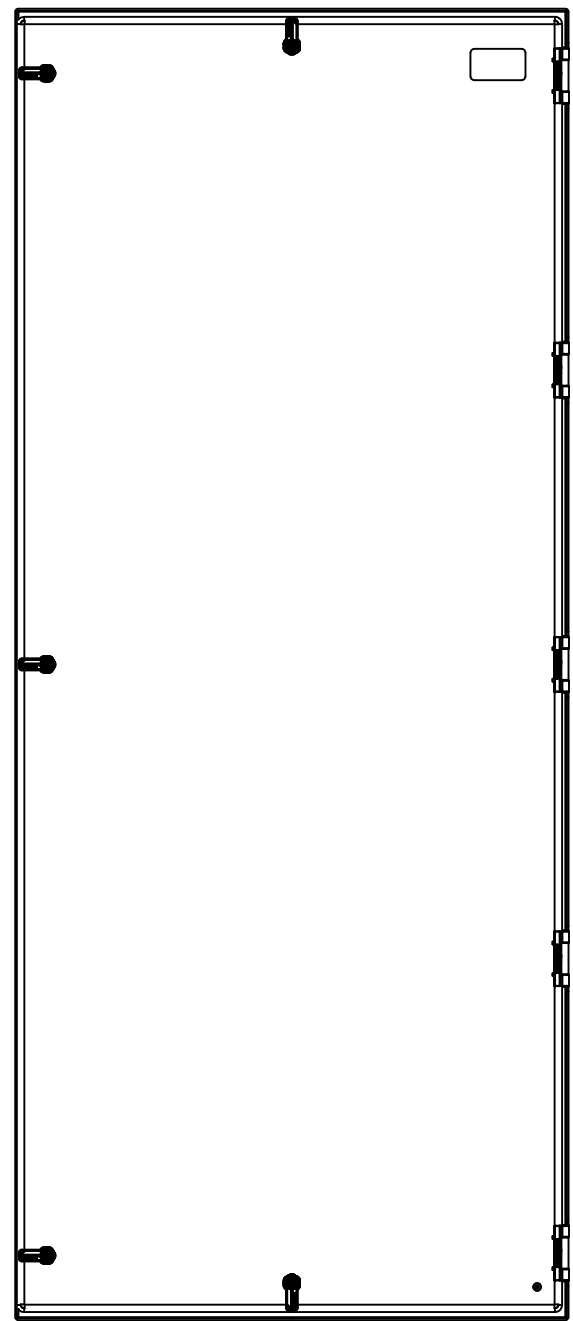
Customer Client		Date
Drawn By Dessiné Par	BoxCad: BoxCad	Date 09-Mar-22
Material Matière 12 Ga Stainless Steel 304 (2.5mm)		
Color Couleur	Unpainted	Finish Fini Brushed
Description		Detail Rev.
9412SS 90" x 36" x 36" Body		
Part Number Numéro Pièce	Rev.	2
9412SS903636B	0	2

This drawing is confidential and must not be reproduced or used without the consent of EXM

Ce dessin est confidentiel et ne doit pas être reproduit ou utilisé sans le consentement de EXM



TOP

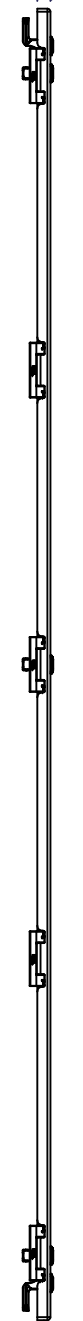


BACK



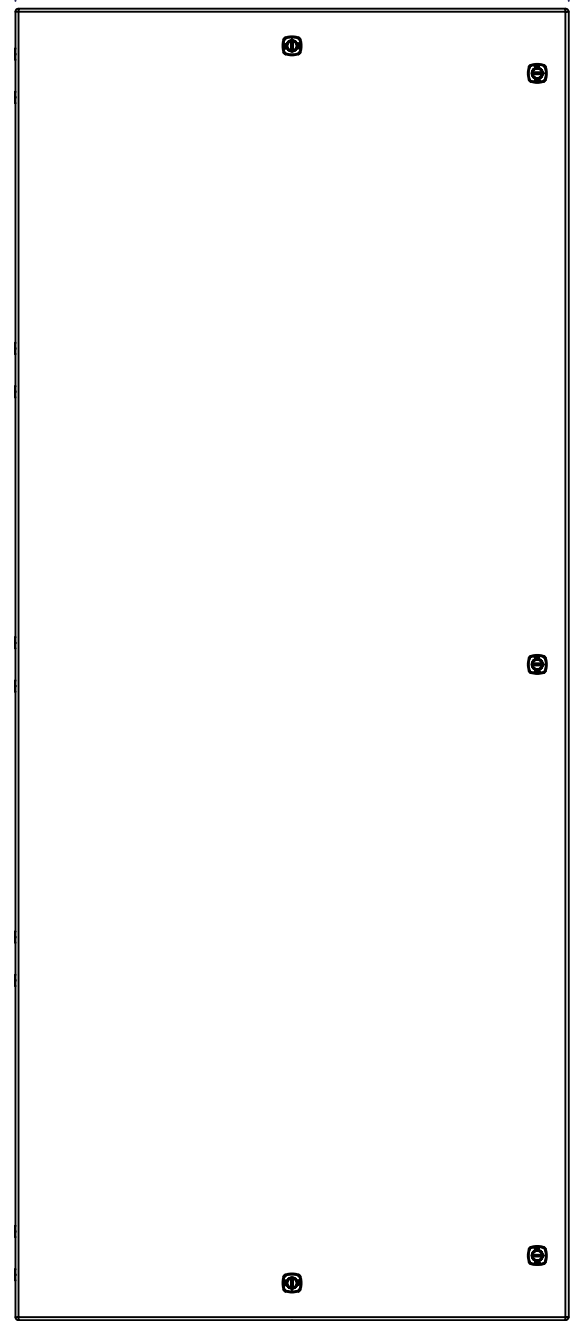
BOTTOM

0.000
0.835



LEFT

0.000



FRONT

35.312

83.549



RIGHT

0.000

No.	Revisions	Date	By/Par

Isometric View

<p>Tél: (450) 979-4373 Fax: (450) 979-4626 www.exmweb.com</p>		Flatness Aplatissement	
		Max 3.0mm	
Customer Client		Projection	
Date			
Drawn By Dessiné Par	BoxCad: BoxCad	Date	09-Mar-22
Material Matière: 12 Ga Stainless Steel 304 (2.5mm)			
Color Couleur	Unpainted	Finish Fini	Brushed
Description		Detail Rev.	
9412SS 90" x 36" Cover			
Part Number Numéro Pièce		Rev.	1
9412SS903636C		0	3

SEE BILL OF MATERIAL ON LAST PAGE

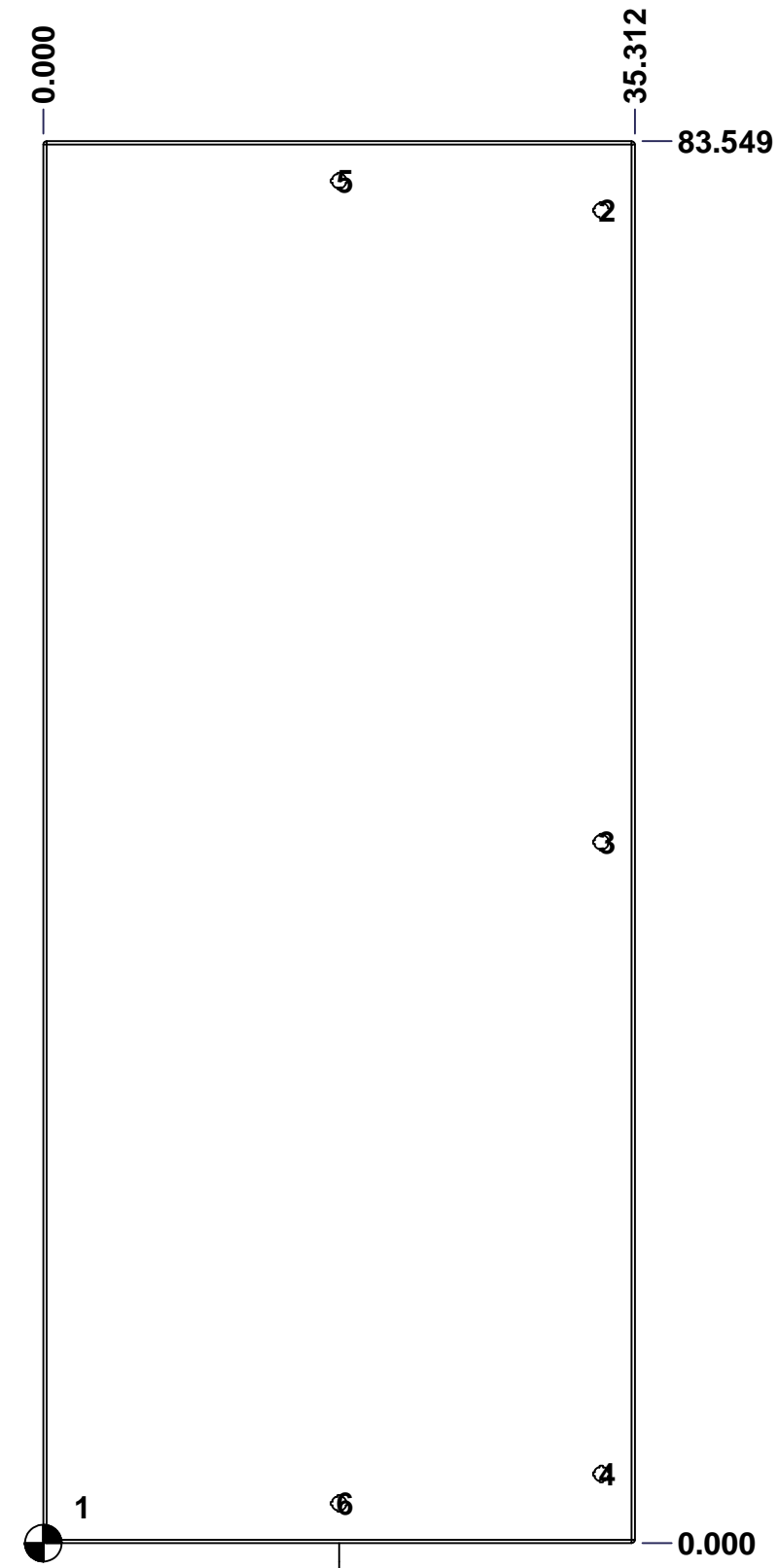
This drawing is confidential and must not be reproduced or used without the consent of EXM

Ce dessin est confidentiel et ne doit pas être reproduit ou utilisé sans le consentement de EXM

STANDARD FEATURES ARE NOT LISTED IN THIS HOLE TABLE

HOLE TABLE - FRONT VIEW (CUSTOM FEATURE ONLY)

CUT-OUT	XDIM	YDIM	DESCRIPTION
1	2.000	2.118	GND STUD M6 x 16mm (Inside)
2	33.312	79.430	LOCK 889 SCQ4-SLSS6 @ 0.0°
3	33.312	41.774	LOCK 889 SCQ4-SLSS6 @ 0.0°
4	33.312	4.118	LOCK 889 SCQ4-SLSS6 @ 0.0°
5	17.656	81.180	LOCK 889 SCQ4-SLSS6 @ 90.0°
6	17.656	2.368	LOCK 889 SCQ4-SLSS6 @ 270.0°



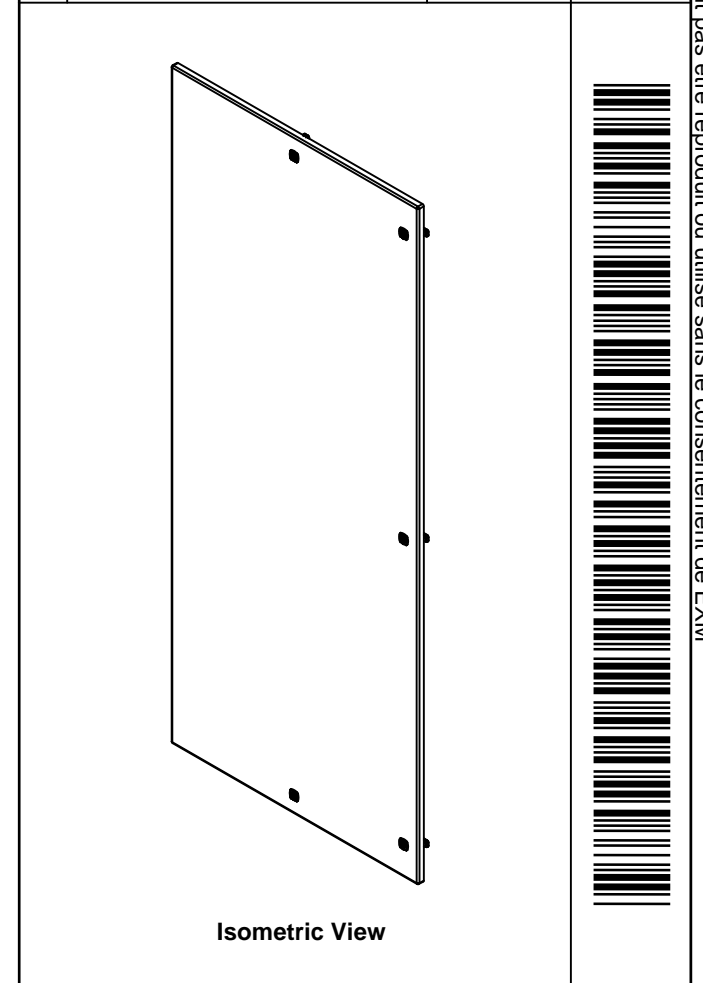
FRONT


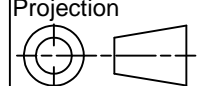
	Description	Status
	9412SS 90" x 36" Cover	(NULL)
	Part Number Numéro Pièce	Rev.
	9412SS903636C	0
		2
		3

This drawing is confidential and must not be reproduced or used without the consent of EXM

Ce dessin est confidentiel et ne doit pas être reproduit ou utilisé sans le consentement de EXM

No.	Revisions	Date	By/Par



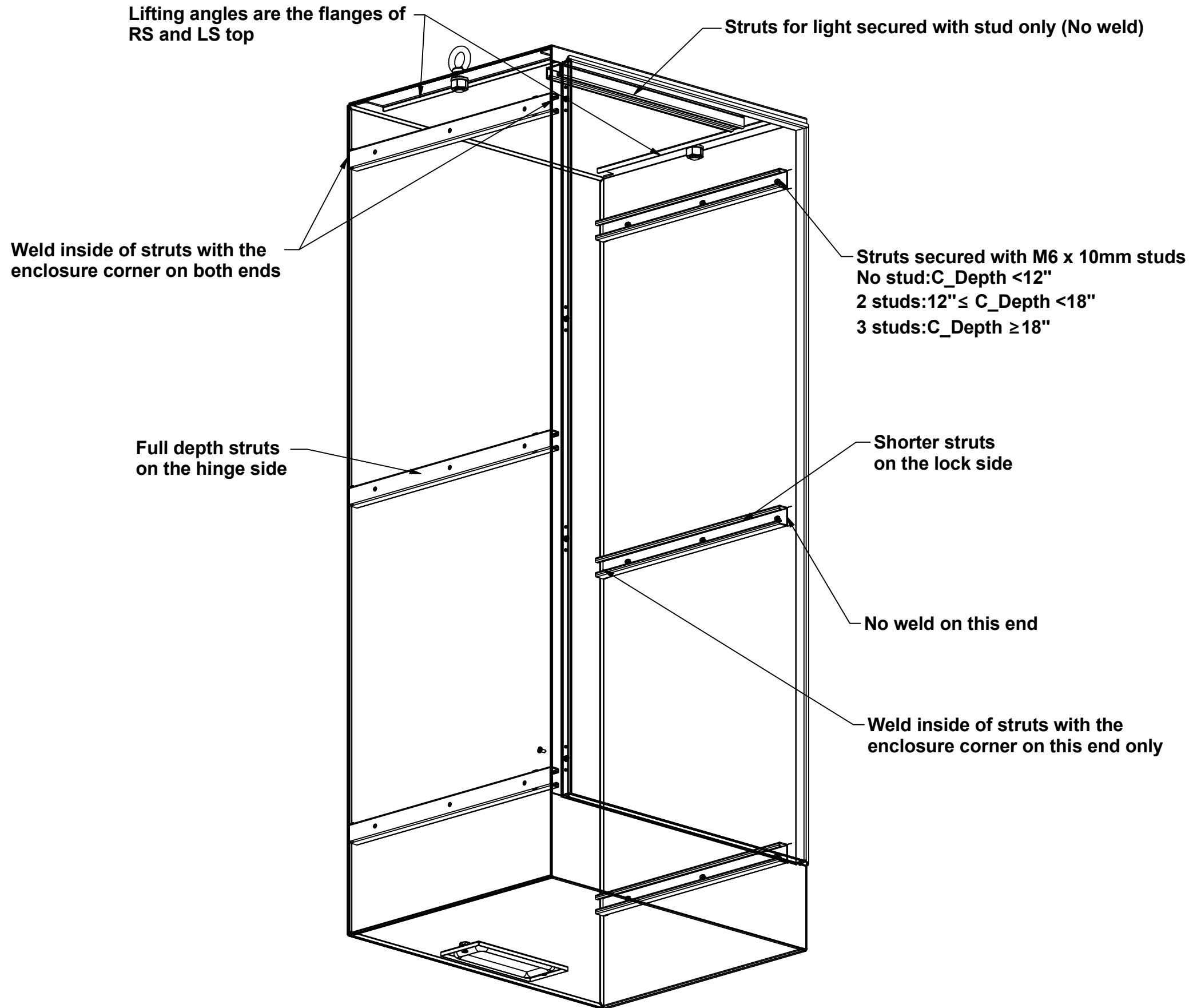
 Tél: (450) 979-4373 Fax: (450) 979-4626 www.exmweb.com		Flatness Aplatissement Max 3.0mm Projection 
Customer Client	Date	
Drawn By Dessiné Par	BoxCad: BoxCad	Date 09-Mar-22
Material Matière	12 Ga Stainless Steel 304 (2.5mm)	
Color Couleur	Unpainted	Finish Fini Brushed
Description		Detail Rev.
9412SS 90" x 36" Cover		
Part Number Numéro Pièce	Rev.	3
9412SS903636C	0	3

Qty	Part Name	Rev	Description
1	9412SS903636G	0	9412SS 90" x 36" Cover Gasket
1	STK-Q-16085	0	Ground Stud M6 x 16mm Stainless Steel
1	STK-S-00100	0	3.5" x 2" Silver Milar Flexcon Sticker
1	9412SS903636C-P	0	9412SS 90" x 36" Cover Part
5	STK-K-09870	7	Cabinet Hinge with Captive Pins
5	889 SCQ4-SLSS6	0	9412 SS 1/4 Turn Lock
Parts List			

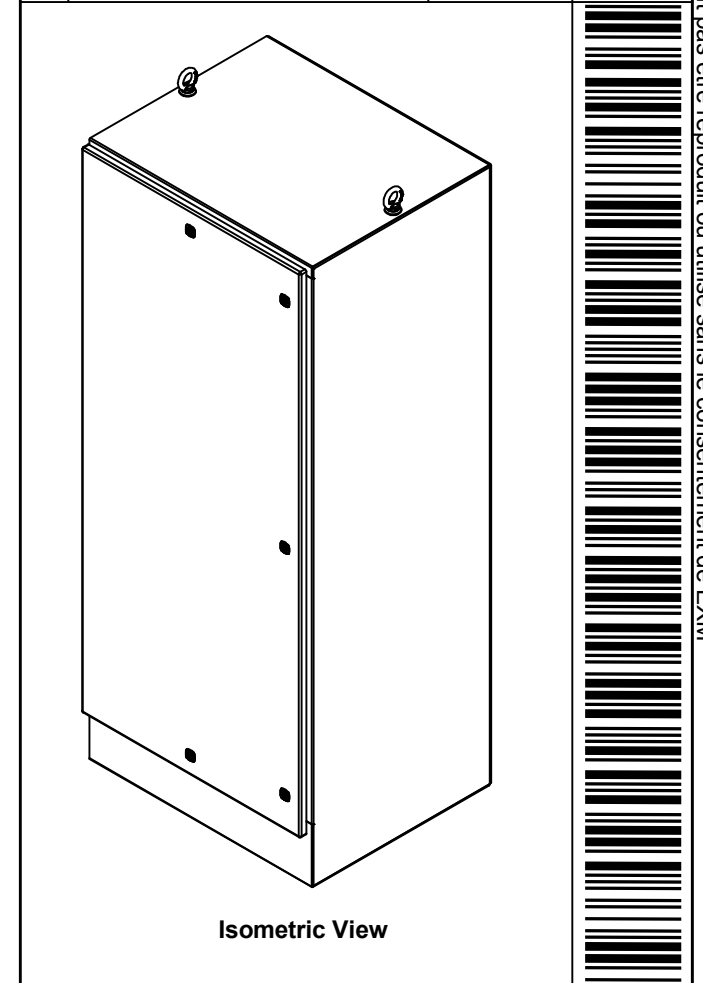
All knockouts are actual size / Les disques défonçables sont grandeur réel
 All dimensions are before paint / Toutes les dimensions sont avant peinture

This drawing is confidential and must not be reproduced or used without the consent of EXM

Ce dessin est confidentiel et ne doit pas être reproduit ou utilisé sans le consentement de EXM



No.	Revisions	Date	By/Par



Tél: (450) 979-4373 Fax: (450) 979-4626 www.exmweb.com		Flatness Aplatissement	
		Max 3.0mm	
Customer Client		Date	
Drawn By Dessiné Par PatrickD		Date 3/9/2020	
Material Matière		N/A	
Color Couleur	N/A	Finish Fini	N/A
Description 9412SS Welding Detail		Detail Rev.	
Part Number Numéro Pièce 9412SS_WELDING_DETAIL		Rev.	1
		1	1