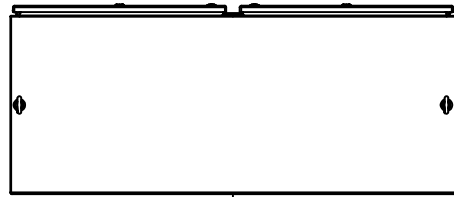
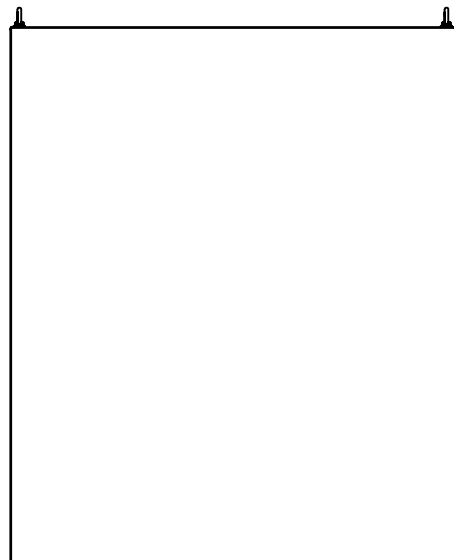


This drawing is confidential and must not be reproduced or used without the consent of EXM

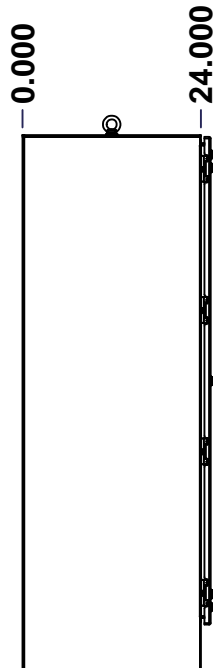
Ce dessin est confidentiel et ne doit pas être reproduit ou utilisé sans le consentement de EXM



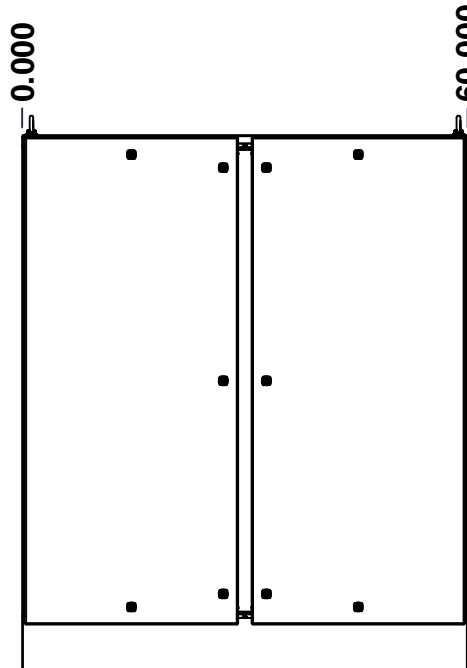
TOP



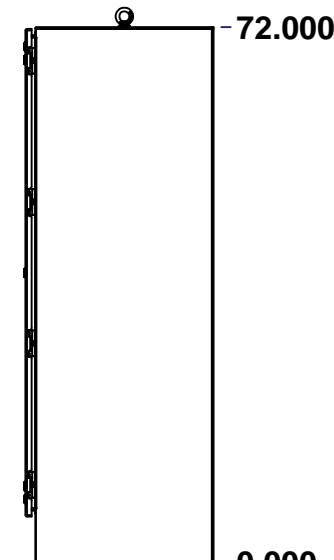
BACK



LEFT



FRONT

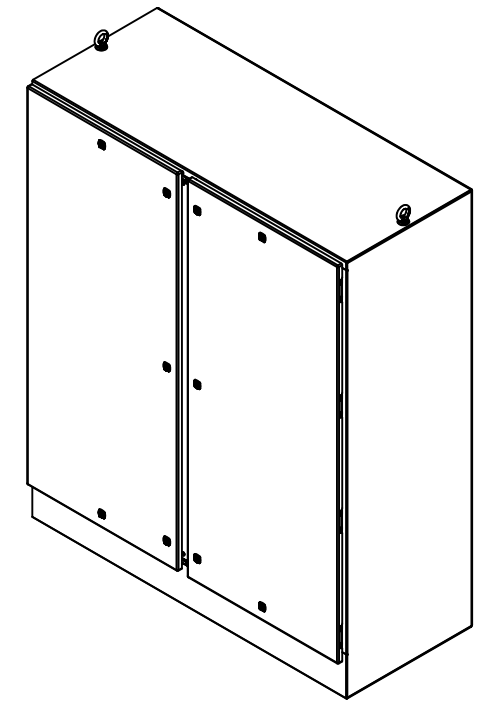


RIGHT



BOTTOM

No.	Revisions	Date	By/Par


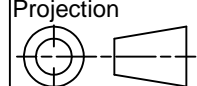


Isometric View



**GRAIN DIRECTION:
TOP/BOTTOM: HORIZONTAL
LEFT/RIGHT/BACK/FRONT: VERTICAL**

SEE BILL OF MATERIAL ON LAST PAGE

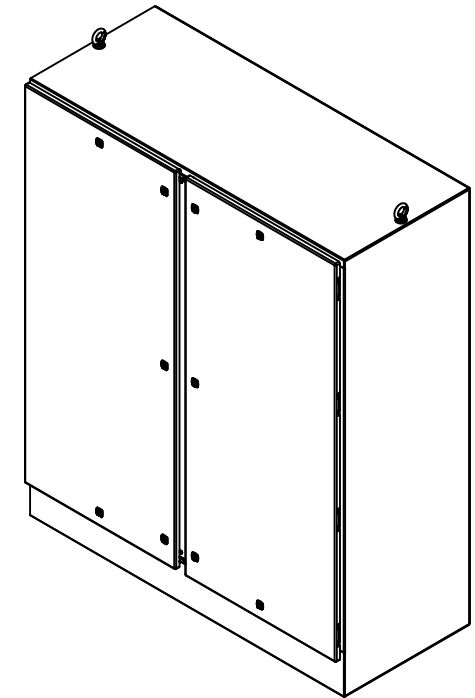
 Tél: (450) 979-4373 Fax: (450) 979-4626 www.exmweb.com		Flatness Aplatissement Max 3.0mm Projection 
Customer Client	Date	
Drawn By Dessiné Par	BoxCad: BoxCad	Date 07-Mar-22
Material Matière	12 Ga Stainless Steel 304 (2.5mm)	
Color Couleur	Unpainted	Finish Fini Brushed
Description	Detail Rev.	
9412SSDD 72" x 60" x 24" Assembly		
Part Number Numéro Pièce	Rev. 0	1 2
9412SSDD726024		

This drawing is confidential and must not be reproduced or used without the consent of EXM

Ce dessin est confidentiel et ne doit pas être reproduit ou utilisé sans le consentement de EXM

NOTE	
ITEM	DESCRIPTION
1	NEMA 4X Enclosure
2	C/W Standard ground studs on box and cover
3	W/O Standard door stiffener
4	W/O Inner panel
5	C/W Standard inner panel mounting struts
6	C/W Struts installed (Included)
7	C/W Eyebolts

No.	Revisions	Date	By/Par



Isometric View



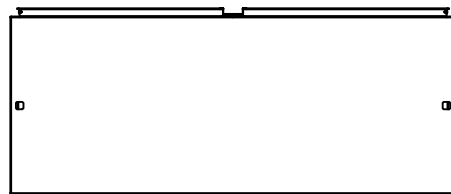
PACKING		
ITEM	QTY	DESCRIPTION
Cardboard sleeve	2	Top and Bottom
Cardboard strip	2	Between back of enclosure and inner panel
Plastic bag	1	To protect cover surface and inside gasket
Cardboard corner	4	To reinforced for the plastic strap tightening
Plastic strap - Black	2	To Squeeze 2 cardboard sleeve together
Packaging label	3	White label with PN
Plastic strap- Green	2	To secure the enclosure to the wood pallet
Wood Pallet	1	2" deeper and 3" larger than enclosure size

1	880INTI	2	880 INTI - Interlock Post Kit
1	880EB14SS	2	Stainless Steel Eye Bolt M14 (Pack of 2)
1	9412SSDD726024FD	0	9412SSDD 72" x 60" Master Door
1	9412SSDD726024LD	0	9412SSDD 72" x 60" Slave Door
1	9412SSDD726024B	0	9412SSDD 72" x 60" x 24" Body
2	9412SSDD726024GP	0	9412SSDD Gland Plate
8	STK-Q-04051-10	8	M6 Hexagon Socket Head Machine Screw with Nyseal
Qty	Part Number	Rev	Description
Parts List			

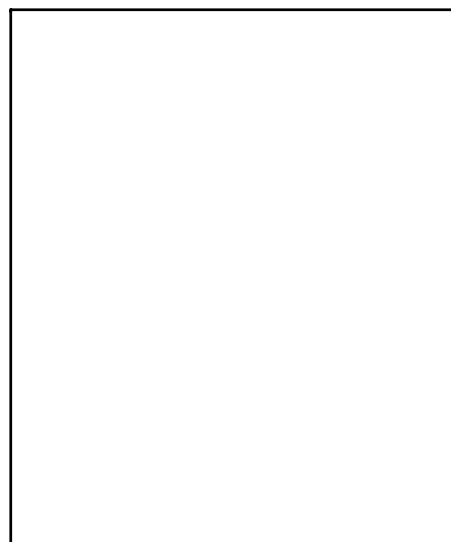
Tél: (450) 979-4373 Fax: (450) 979-4626 www.exmweb.com		Flatness Aplatissement Max 3.0mm Projection
Customer Client	Date	
Drawn By Dessiné Par	BoxCad: BoxCad	Date 07-Mar-22
Material Matière	12 Ga Stainless Steel 304 (2.5mm)	
Color Couleur	Unpainted	Finish Fini Brushed
Description	Detail Rev.	
9412SSDD 72" x 60" x 24" Assembly		
Part Number Numéro Pièce	9412SSDD726024	Rev. 2
		0

This drawing is confidential and must not be reproduced or used without the consent of EXM

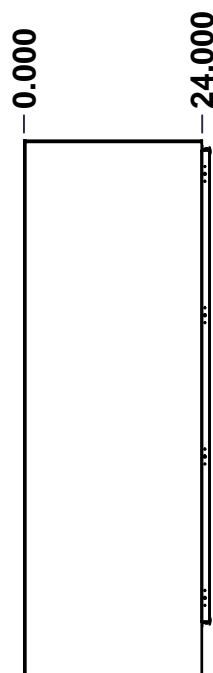
Ce dessin est confidentiel et ne doit pas être reproduit ou utilisé sans le consentement de EXM



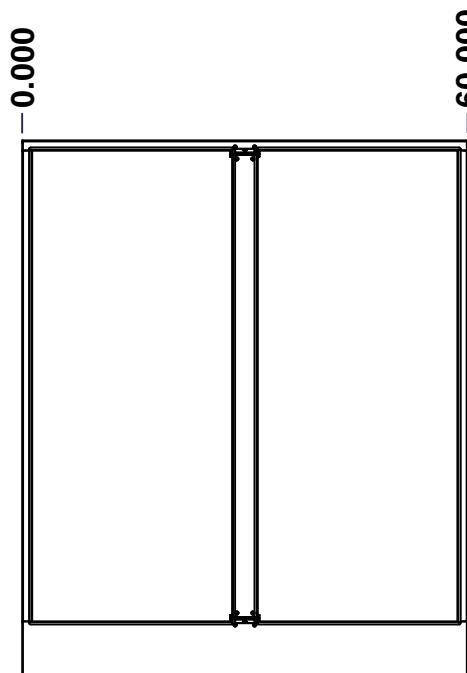
TOP



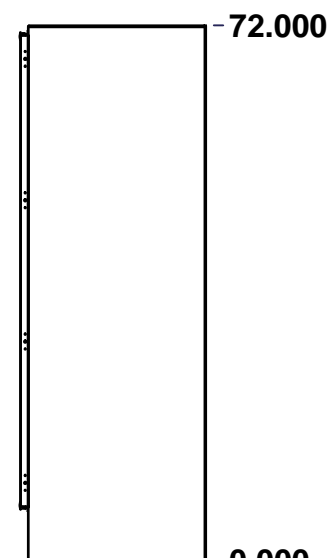
BACK



LEFT



FRONT

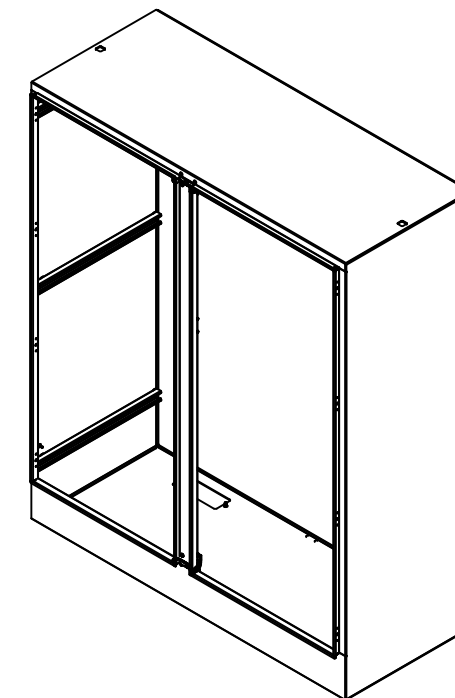


RIGHT



BOTTOM

No.	Revisions	Date	By/Par



Isometric View



Tél: (450) 979-4373
 Fax: (450) 979-4626
www.exmweb.com

Flatness
Aplatissement

Max 3.0mm

Projection



Customer Client	Date
Drawn By / Dessiné Par: BoxCad: BoxCad	Date: 07-Mar-22

Material / Matière: 12 Ga Stainless Steel 304 (2.5mm)

Color / Couleur: Unpainted	Finish / Fini: Brushed
----------------------------	------------------------

Description: 9412SSDD 72" x 60" x 24" Body

Part Number / Numéro Pièce: 9412SSDD726024B	Rev. 1
SEE BILL OF MATERIAL ON LAST PAGE	Rev. 0

2

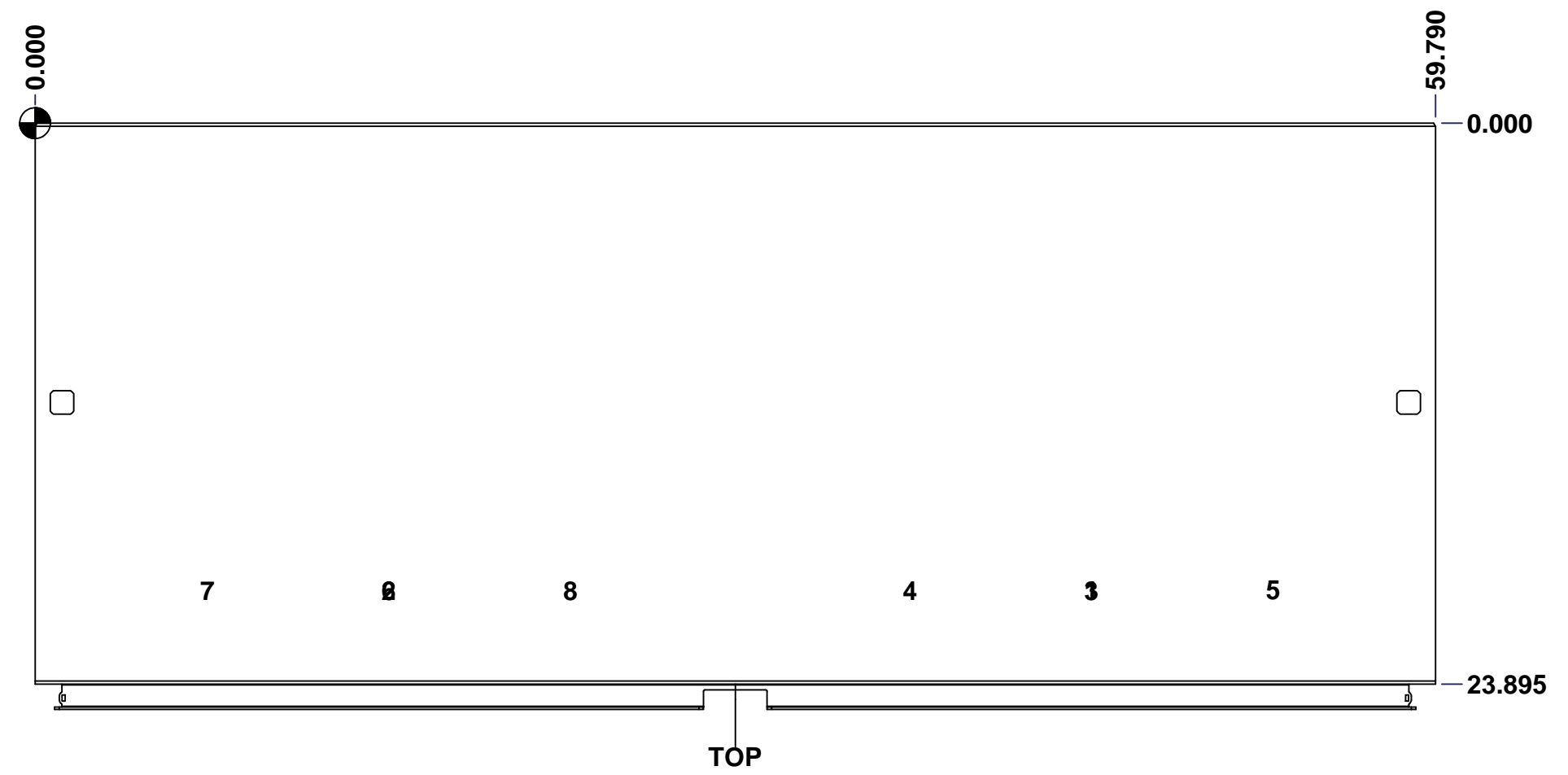
This drawing is confidential and must not be reproduced or used without the consent of EXM

Ce dessin est confidentiel et ne doit pas être reproduit ou utilisé sans le consentement de EXM

STANDARD FEATURES ARE NOT LISTED IN THIS HOLE TABLE

HOLE TABLE - TOP VIEW (CUSTOM FEATURE ONLY)

CUT-OUT	XDIM	YDIM	DESCRIPTION
1	44.895	19.895	Struts CR400 21.500" (Inside)
2	14.895	19.895	Struts CR400 21.500" (Inside)
3	44.895	19.895	STUDS M6 x 10mm (Inside)
4	37.145	19.895	STUDS M6 x 10mm (Inside)
5	52.645	19.895	STUDS M6 x 10mm (Inside)
6	14.895	19.895	STUDS M6 x 10mm (Inside)
7	7.145	19.895	STUDS M6 x 10mm (Inside)
8	22.645	19.895	STUDS M6 x 10mm (Inside)



	Description	Status	
	9412SSDD 72" x 60" x 24" Body	Released	
	Part Number Numéro Pièce	Rev.	
	9412SSDD726024B	0	2 / 7

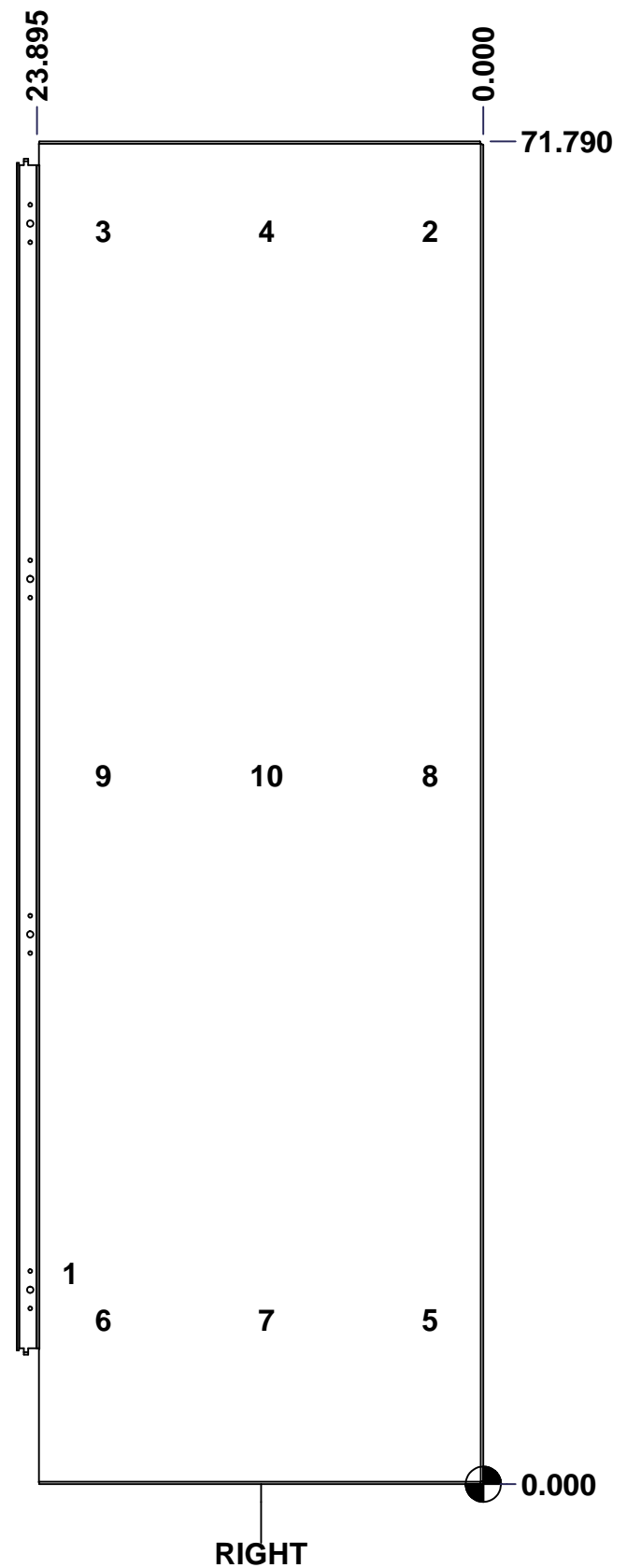
This drawing is confidential and must not be reproduced or used without the consent of EXM

Ce dessin est confidentiel et ne doit pas être reproduit ou utilisé sans le consentement de EXM

STANDARD FEATURES ARE NOT LISTED IN THIS HOLE TABLE

HOLE TABLE - RIGHT VIEW (CUSTOM FEATURE ONLY)

CUT-OUT	XDIM	YDIM	DESCRIPTION
1	22.395	11.270	GND STUD M6 x 16mm (Inside)
2	3.145	67.020	STUDS M6 x 10mm (Inside)
3	20.645	67.020	STUDS M6 x 10mm (Inside)
4	11.895	67.020	STUDS M6 x 10mm (Inside)
5	3.145	8.770	STUDS M6 x 10mm (Inside)
6	20.645	8.770	STUDS M6 x 10mm (Inside)
7	11.895	8.770	STUDS M6 x 10mm (Inside)
8	3.145	37.895	STUDS M6 x 10mm (Inside)
9	20.645	37.895	STUDS M6 x 10mm (Inside)
10	11.895	37.895	STUDS M6 x 10mm (Inside)

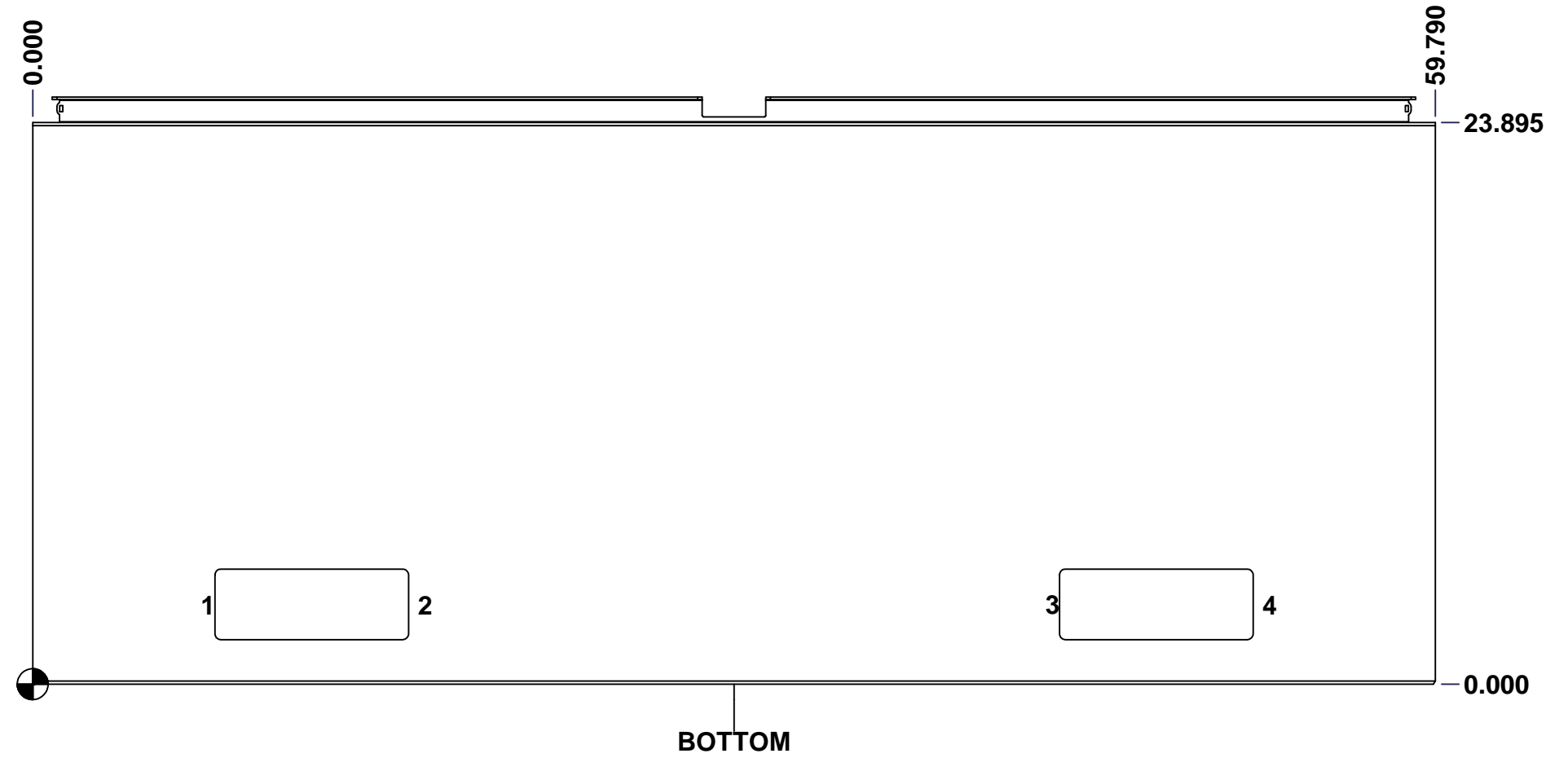


	Description	Status
	9412SSDD 72" x 60" x 24" Body	Released
	Part Number Numéro Pièce	Rev.
	9412SSDD726024B	0
		3 / 7

This drawing is confidential and must not be reproduced or used without the consent of EXM

Ce dessin est confidentiel et ne doit pas être reproduit ou utilisé sans le consentement de EXM

STANDARD FEATURES ARE NOT LISTED IN THIS HOLE TABLE			
HOLE TABLE - BOTTOM VIEW (CUSTOM FEATURE ONLY)			
CUT-OUT	XDIM	YDIM	DESCRIPTION
1	7.270	3.395	GP STUD M6 x 16mm (Inside)
2	16.520	3.395	GP STUD M6 x 16mm (Inside)
3	43.270	3.395	GP STUD M6 x 16mm (Inside)
4	52.520	3.395	GP STUD M6 x 16mm (Inside)



	Description	Status	
	9412SSDD 72" x 60" x 24" Body	Released	
	Part Number Numéro Pièce	Rev.	
	9412SSDD726024B	0	4 / 7

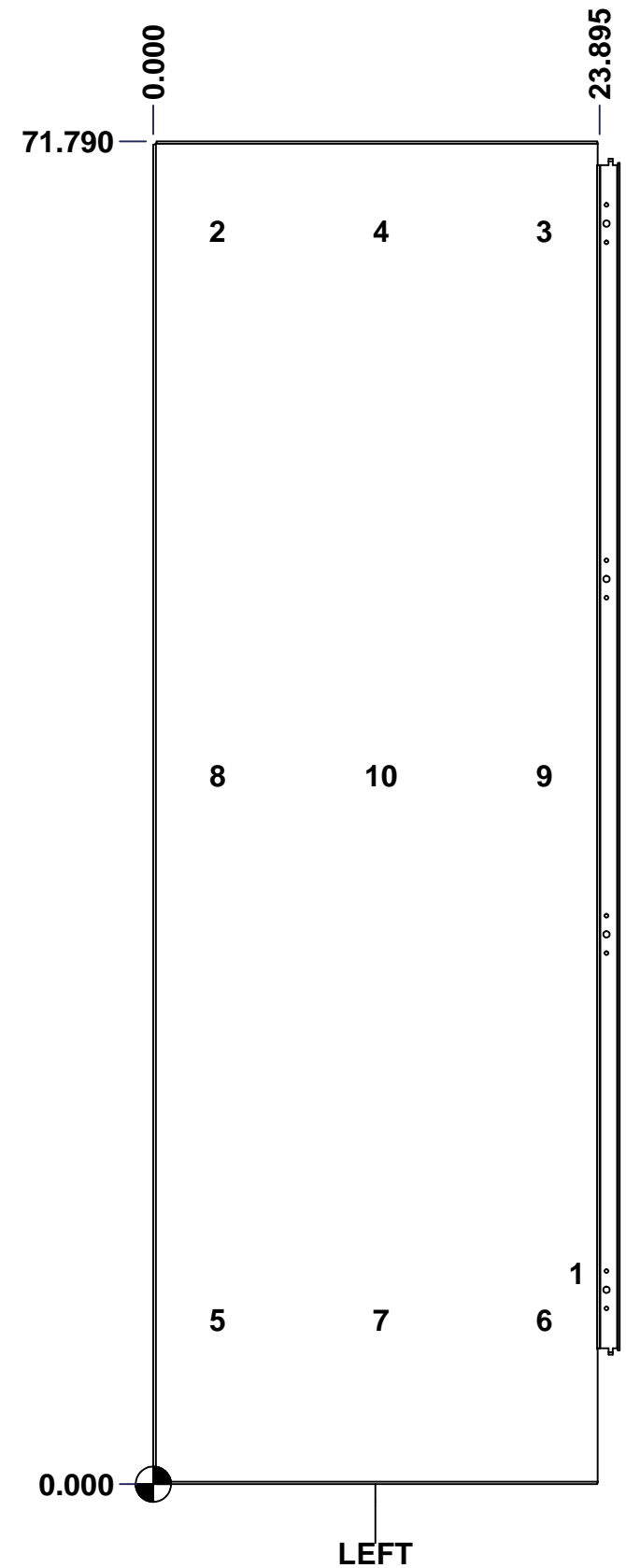
This drawing is confidential and must not be reproduced or used without the consent of EXM

Ce dessin est confidentiel et ne doit pas être reproduit ou utilisé sans le consentement de EXM

STANDARD FEATURES ARE NOT LISTED IN THIS HOLE TABLE

HOLE TABLE - LEFT VIEW (CUSTOM FEATURE ONLY)

CUT-OUT	XDIM	YDIM	DESCRIPTION
1	22.395	11.270	GND STUD M6 x 16mm (Inside)
2	3.145	67.020	STUDS M6 x 10mm (Inside)
3	20.645	67.020	STUDS M6 x 10mm (Inside)
4	11.895	67.020	STUDS M6 x 10mm (Inside)
5	3.145	8.770	STUDS M6 x 10mm (Inside)
6	20.645	8.770	STUDS M6 x 10mm (Inside)
7	11.895	8.770	STUDS M6 x 10mm (Inside)
8	3.145	37.895	STUDS M6 x 10mm (Inside)
9	20.645	37.895	STUDS M6 x 10mm (Inside)
10	11.895	37.895	STUDS M6 x 10mm (Inside)

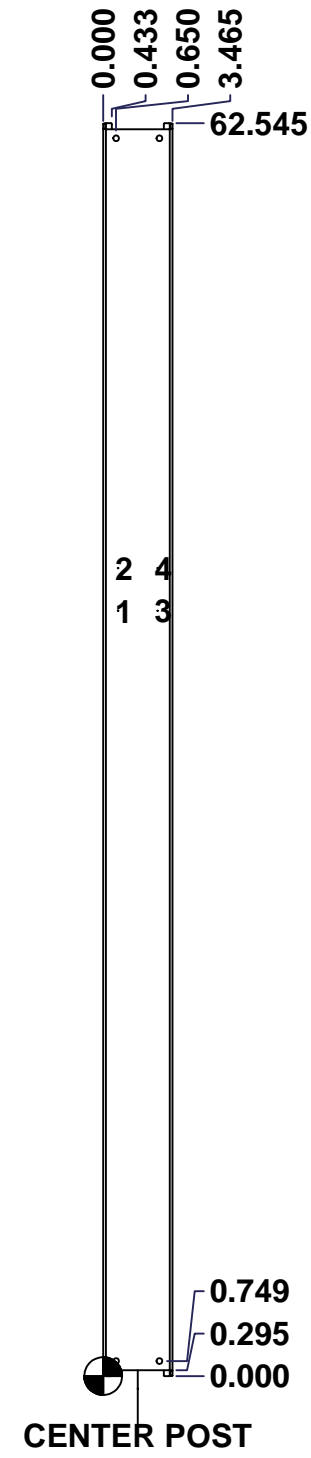


	Description	Status
	9412SSDD 72" x 60" x 24" Body	Released
	Part Number Numéro Pièce	Rev.
	9412SSDD726024B	0
		5
		7

This drawing is confidential and must not be reproduced or used without the consent of EXM

Ce dessin est confidentiel et ne doit pas être reproduit ou utilisé sans le consentement de EXM

STANDARD FEATURES ARE NOT LISTED IN THIS HOLE TABLE			
HOLE TABLE - CENTER VIEW (CUSTOM FEATURE ONLY)			
CUT-OUT	XDIM	YDIM	DESCRIPTION
1	0.748	38.210	INTERLOCK STUD M6 x 16mm (Inside)
2	0.748	40.336	INTERLOCK STUD M6 x 16mm (Inside)
3	2.717	38.210	INTERLOCK STUD M6 x 16mm (Inside)
4	2.717	40.336	INTERLOCK STUD M6 x 16mm (Inside)

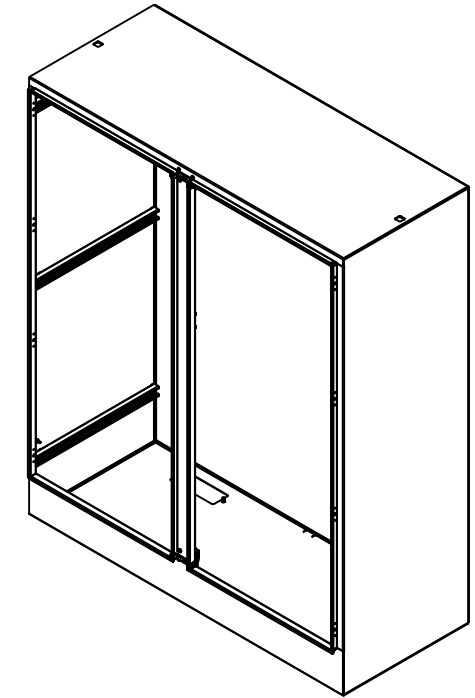


	Description	Status
	9412SSDD 72" x 60" x 24" Body	Released
	Part Number Numéro Pièce	Rev.
	9412SSDD726024B	0
		6
		7

This drawing is confidential and must not be reproduced or used without the consent of EXM

Ce dessin est confidentiel et ne doit pas être reproduit ou utilisé sans le consentement de EXM

No.	Revisions	Date	By/Par


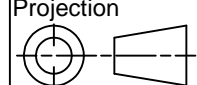


Isometric View



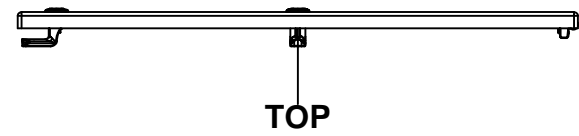
24	STK-Q-16040	0	Stud M6 x 10mm Stainless Steel
2	STK-Q-16085	0	Ground Stud M6 x 16mm Stainless Steel
4	STK-Q-16095	0	M6 x 16mm Stainless Steel Ground Stud
6	STK-Q-52550-24	0	Stainless Steel 304 Sasco Strut S5 (23.500" Long)
4	STK-Q-16070	1	Stud M6 x 18mm Stainless steel
1	STK-A-75456	2	Center Post - Stainless Steel Sealing Block with Latch Assembly (Large)
1	9412SSDD726024CP-P	0	9412SSDD 72" Center Post Part
1	9412SSDD726024BT-P	0	9412SSDD 60" x 24" Bottom Part
1	9412SSDD726024T-P	0	9412SSDD 60" x 24" Top Part
1	9412SSDD726024RS-P	0	9412SSDD 72" x 60" Right Part
1	9412SSDD726024LS-P	0	9412SSDD 72" x 60" Left Part
1	9412SSDD726024B-P	0	9412SSDD 72" x 60" Back Part
2	CR400SS_21.5	0	Commercial Roll Stainless Steel (21.5in long)
24	STK-Q-07220	1	M6 Nylon Insert Lock Nut

Qty	Part Number	Rev	Description
Parts List			

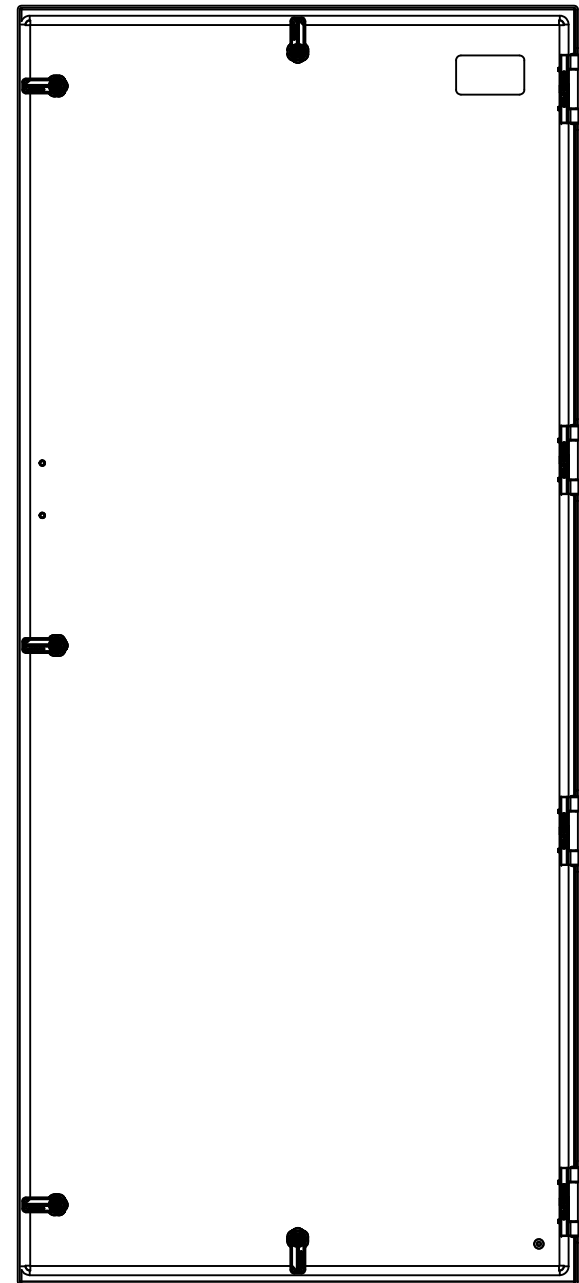
 Tél: (450) 979-4373 Fax: (450) 979-4626 www.exmweb.com		Flatness Aplatissement Max 3.0mm Projection 
Customer Client	Date	
Drawn By Dessiné Par	BoxCad: BoxCad	Date 07-Mar-22
Material Matière	12 Ga Stainless Steel 304 (2.5mm)	
Color Couleur	Unpainted	Finish Fini Brushed
Description	9412SSDD 72" x 60" x 24" Body	
Part Number Numéro Pièce	Rev. 0	2
9412SSDD726024B		2

This drawing is confidential and must not be reproduced or used without the consent of EXM

Ce dessin est confidentiel et ne doit pas être reproduit ou utilisé sans le consentement de EXM



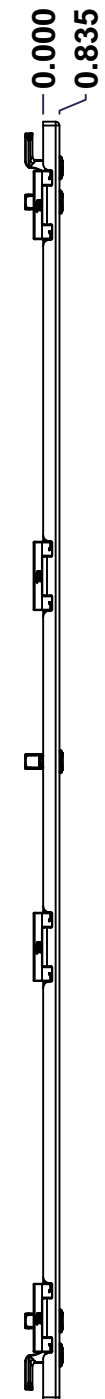
TOP



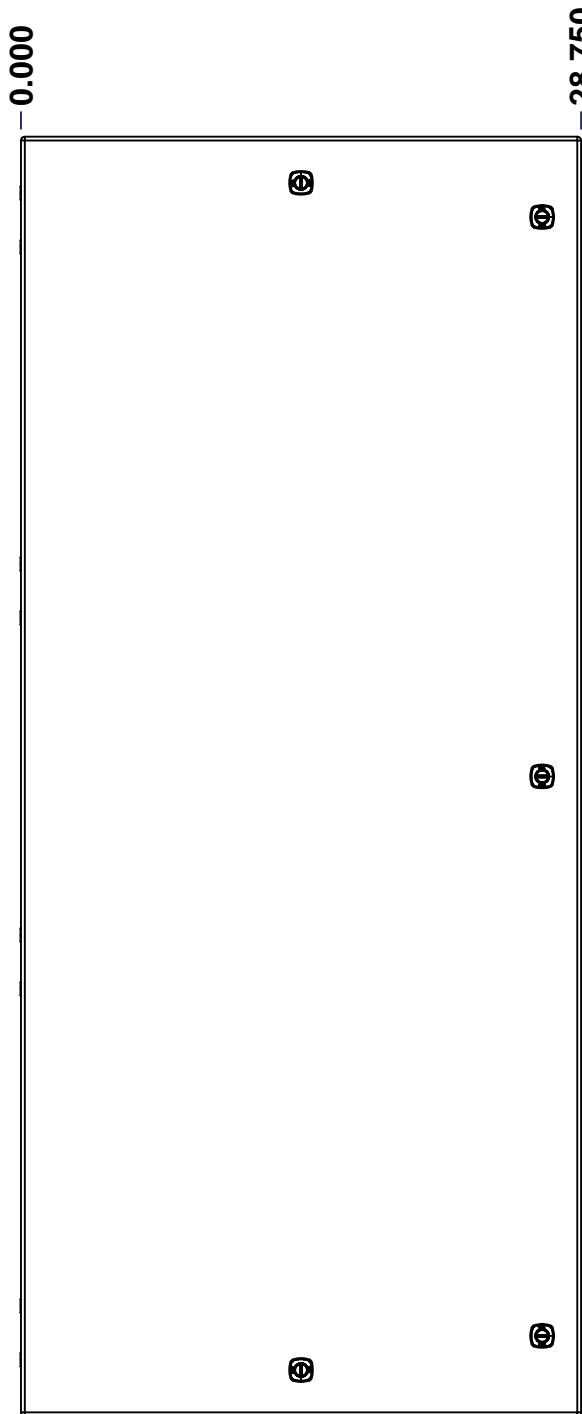
BACK



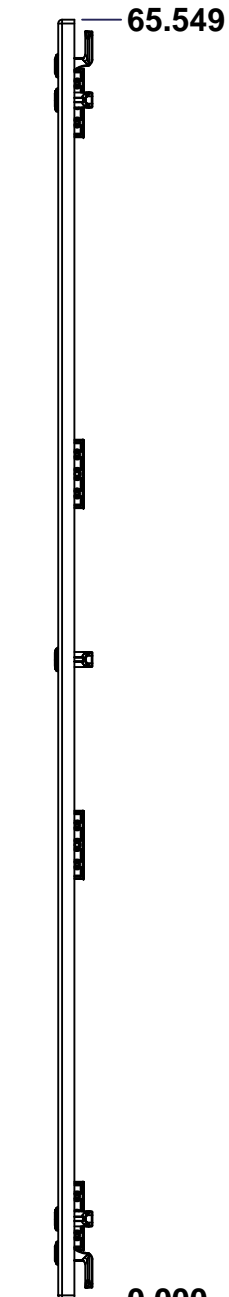
BOTTOM



LEFT



FRONT



RIGHT

0.000
0.835

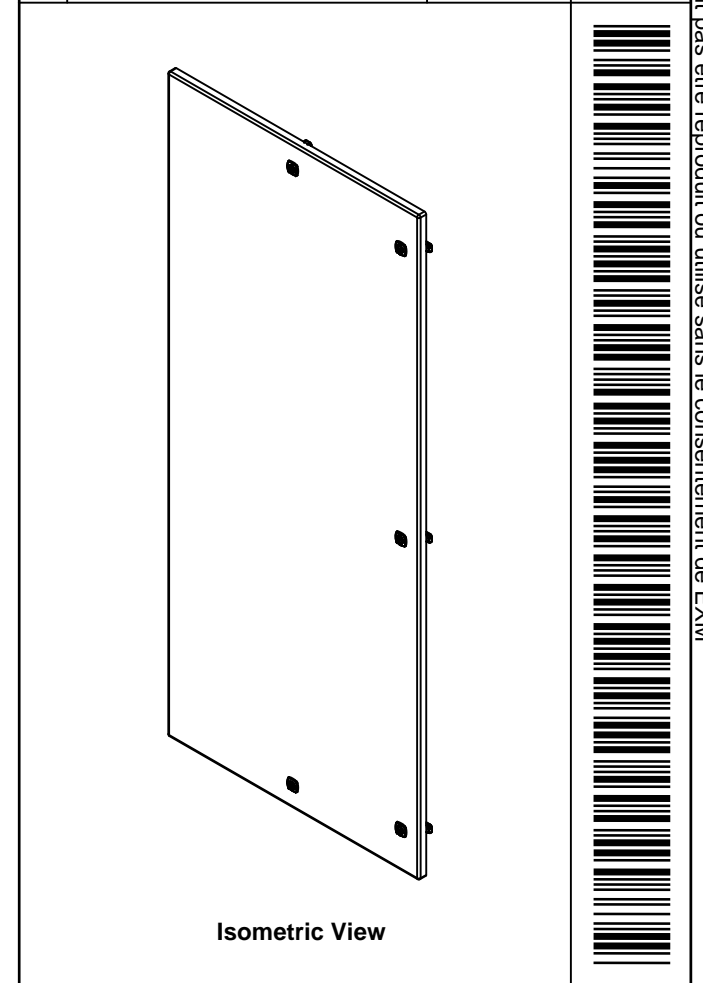
0.000

28.750

65.549

0.000

No.	Revisions	Date	By/Par



		Tél: (450) 979-4373 Fax: (450) 979-4626 www.exmweb.com		Flatness Aplatissement Max 3.0mm Projection 	
Customer Client		Date		Date	
Drawn By Dessiné Par		BoxCad: BoxCad		Date 07-Mar-22	
Material Matière		12 Ga Stainless Steel 304 (2.5mm)			
Color Couleur		Unpainted		Finish Fini Brushed	
Description				Detail Rev.	
9412SSDD 72" x 60" Slave Door					
Part Number Numéro Pièce		Rev.		1	
9412SSDD726024LD		0		3	

SEE BILL OF MATERIAL ON LAST PAGE

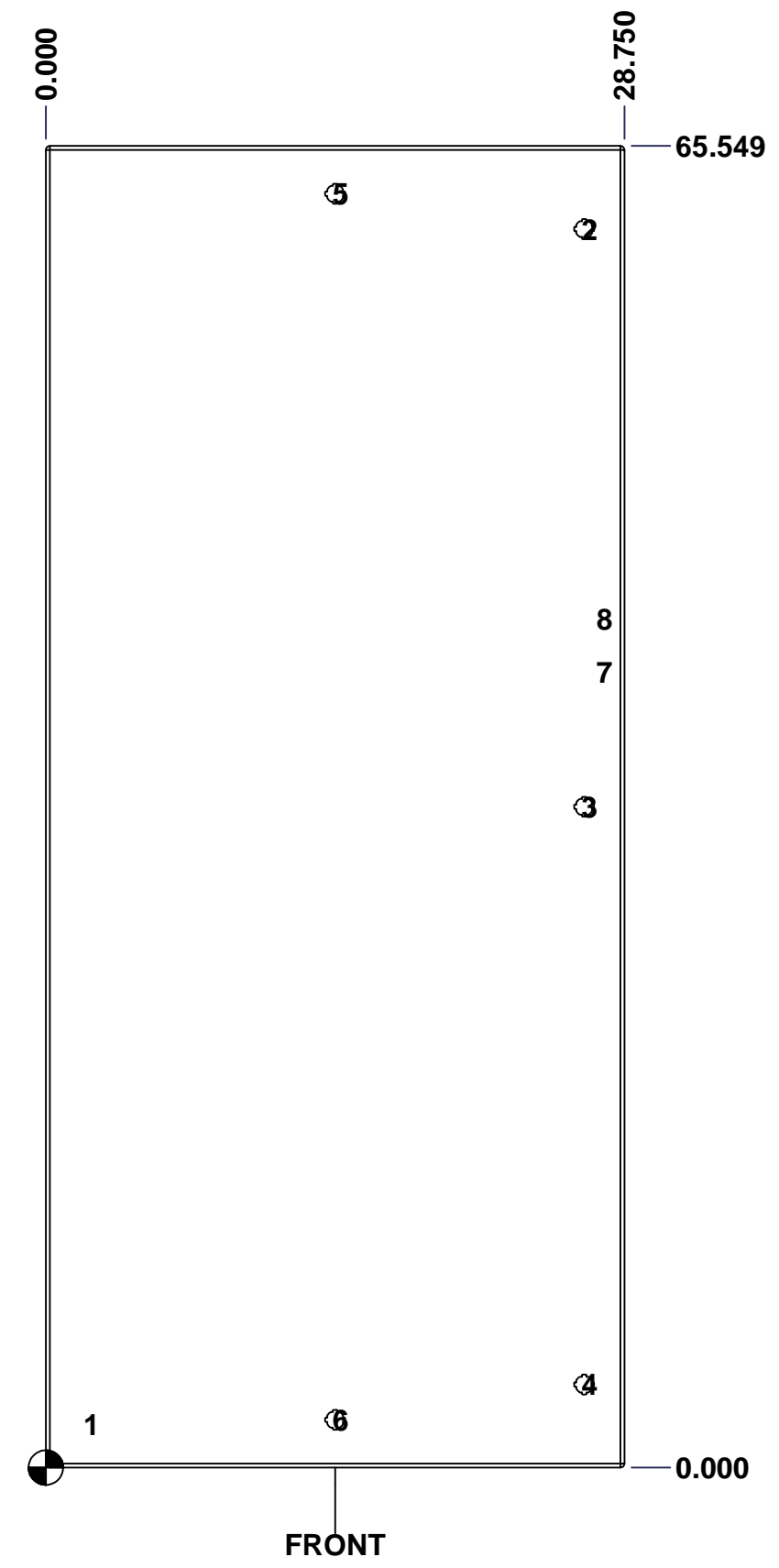
This drawing is confidential and must not be reproduced or used without the consent of EXM

Ce dessin est confidentiel et ne doit pas être reproduit ou utilisé sans le consentement de EXM

STANDARD FEATURES ARE NOT LISTED IN THIS HOLE TABLE

HOLE TABLE - FRONT VIEW (CUSTOM FEATURE ONLY)

CUT-OUT	XDIM	YDIM	DESCRIPTION
1	2.000	2.118	GND STUD M6 x 16mm (Inside)
2	26.750	61.430	LOCK 889 SCQ4-SLSS6 @ 0.0°
3	26.750	32.774	LOCK 889 SCQ4-SLSS6 @ 0.0°
4	26.750	4.118	LOCK 889 SCQ4-SLSS6 @ 0.0°
5	14.375	63.180	LOCK 889 SCQ4-SLSS6 @ 90.0°
6	14.375	2.368	LOCK 889 SCQ4-SLSS6 @ 270.0°
7	27.489	39.435	STUDS M6 x 18mm (Inside)
8	27.489	42.113	STUDS M6 x 18mm (Inside)



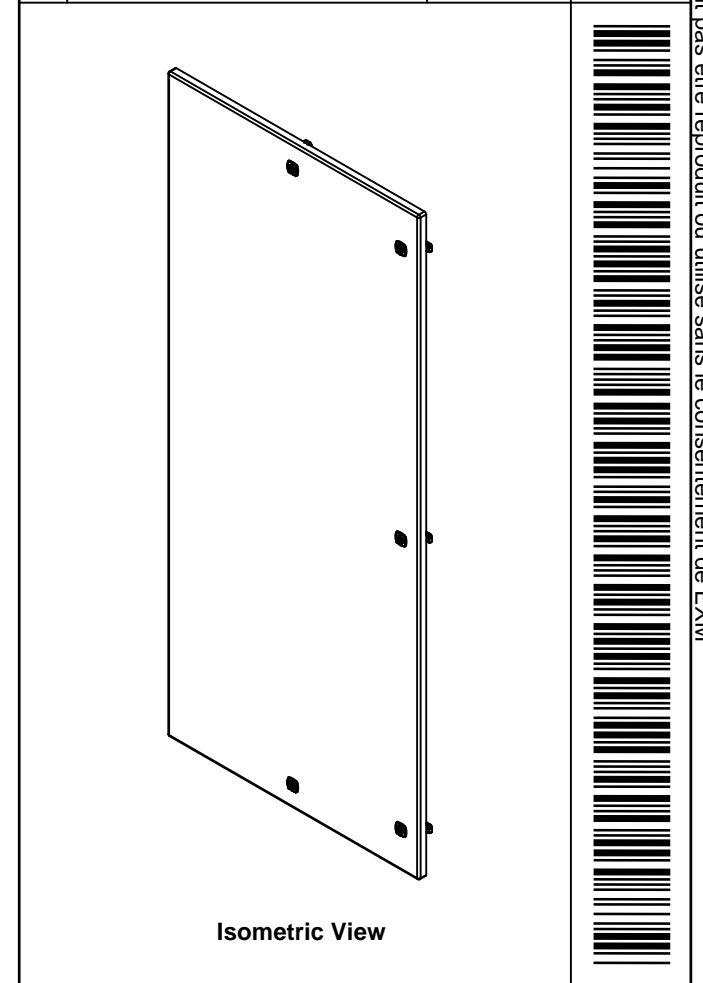
FRONT

	Description	Status
	9412SSDD 72" x 60" Slave Door	(NULL)
	Part Number Numéro Pièce	Rev.
	9412SSDD726024LD	0
		2
		3

This drawing is confidential and must not be reproduced or used without the consent of EXM

Ce dessin est confidentiel et ne doit pas être reproduit ou utilisé sans le consentement de EXM

No.	Revisions	Date	By/Par

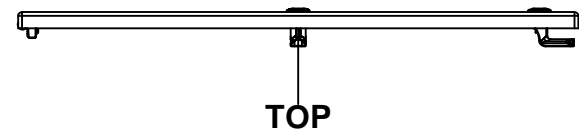


Tél: (450) 979-4373 Fax: (450) 979-4626 www.exmweb.com		Flatness Aplatissement	
		Max 3.0mm Projection	
Customer Client		Date	
Drawn By Dessiné Par BoxCad: BoxCad		Date 07-Mar-22	
Material Matière		12 Ga Stainless Steel 304 (2.5mm)	
Color Couleur		Unpainted	Finish Fini Brushed
Description			Detail Rev.
9412SSDD 72" x 60" Slave Door			
Part Number Numéro Pièce		Rev.	3
9412SSDD726024LD		0	3

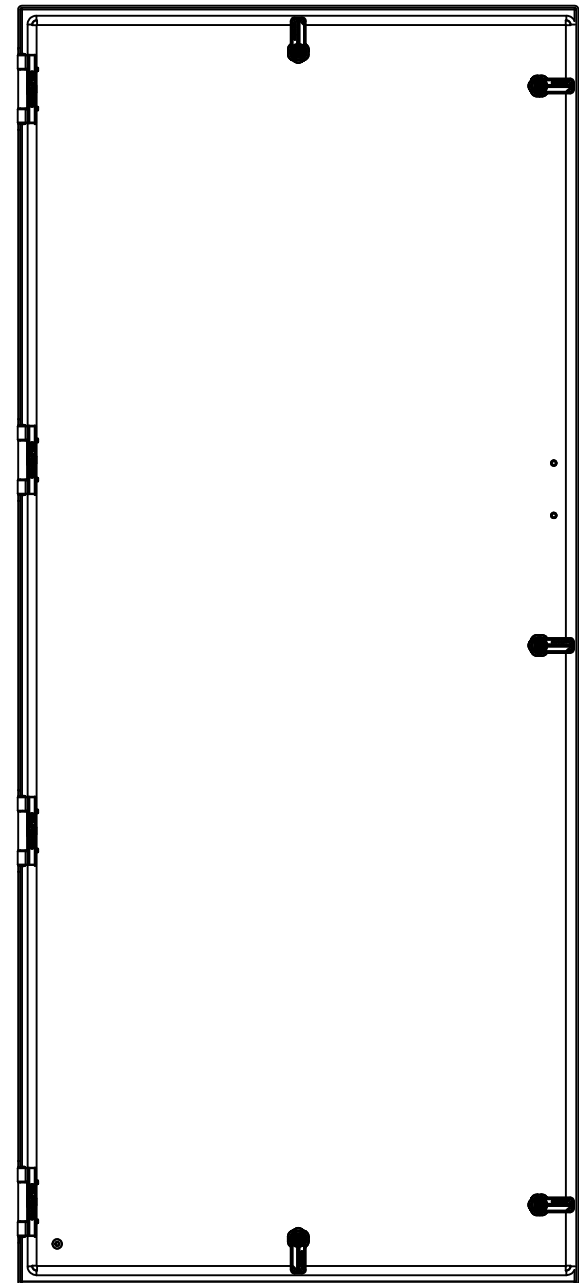
Qty	Part Name	Rev	Description
2	STK-Q-16070	1	Stud M6 x 18mm Stainless Steel
1	9412SSDD726024DG	0	9412SSDD 72" x 60" Door Gasket
1	STK-Q-16085	0	Ground Stud M6 x 16mm Stainless Steel
1	STK-S-00100	0	3.5" x 2" Silver Milar Flexcon Sticker
1	9412SSDD726024LD-P	0	9412SSDD 72" x 60" Slave Door Part
4	STK-K-09870	7	Cabinet Hinge with Captive Pins
5	889 SCQ4-SLSS6	0	9412 SS 1/4 Turn Lock
Parts List			

This drawing is confidential and must not be reproduced or used without the consent of EXM

Ce dessin est confidentiel et ne doit pas être reproduit ou utilisé sans le consentement de EXM



TOP

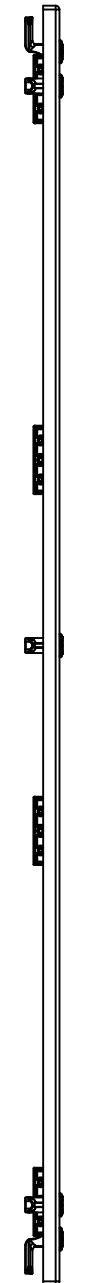


BACK



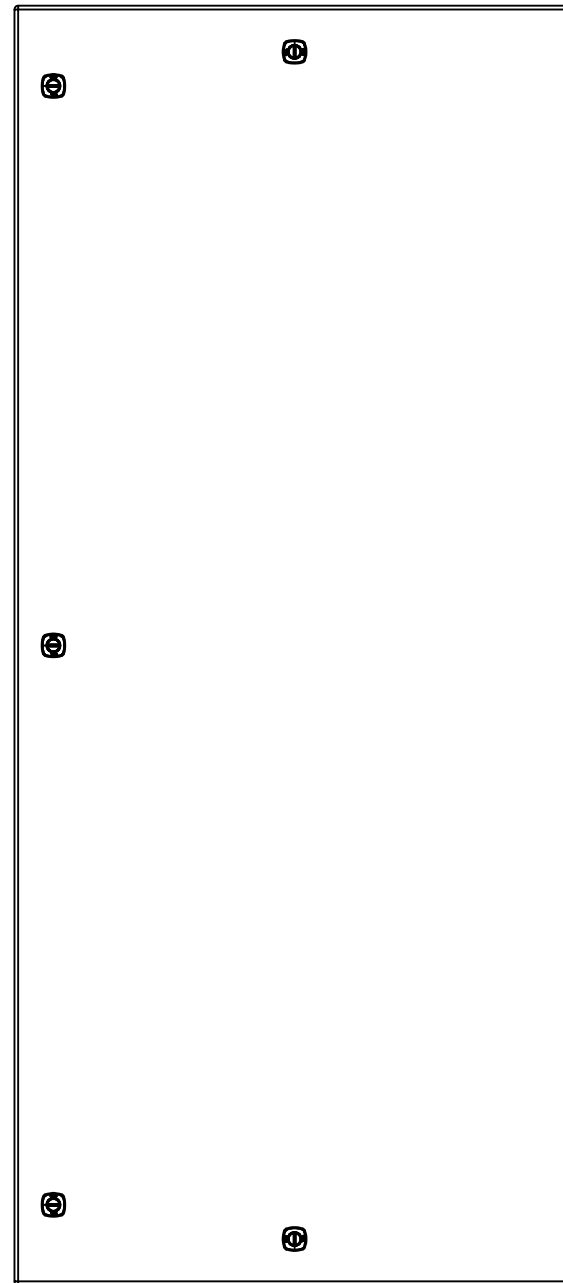
BOTTOM

0.000
0.835



LEFT

28.750
0.000



FRONT

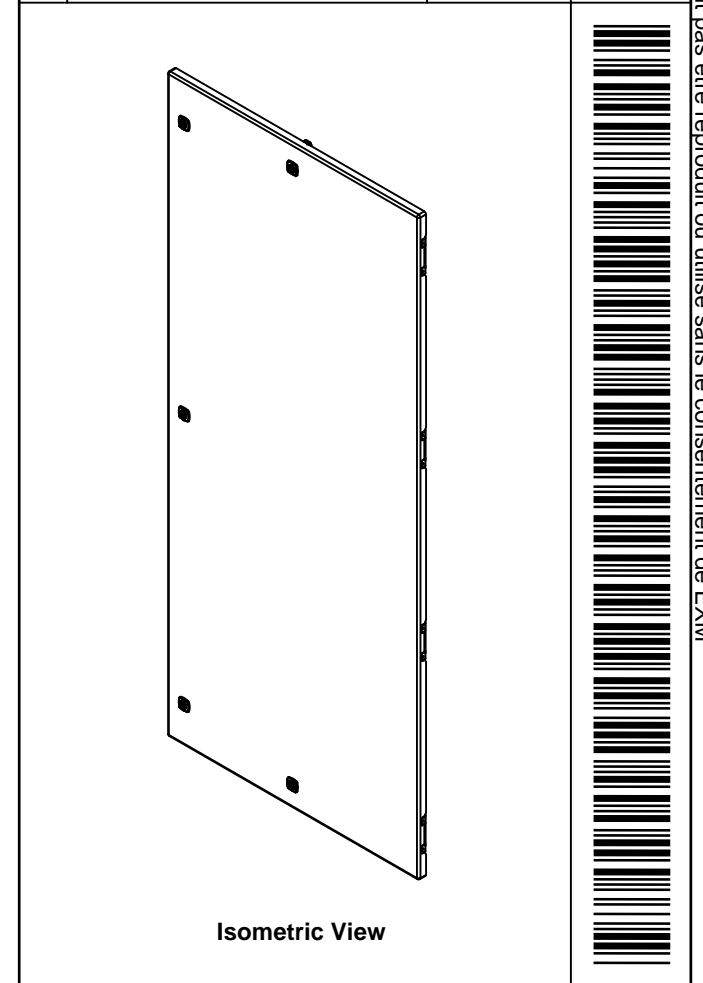
65.549



RIGHT


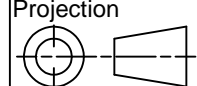
0.000

No.	Revisions	Date	By/Par



Isometric View



 Tél: (450) 979-4373 Fax: (450) 979-4626 www.exmweb.com		Flatness Aplatissement Max 3.0mm Projection 
Customer Client	Date	Date
Drawn By Dessiné Par	BoxCad: BoxCad	Date 07-Mar-22
Material Matière	12 Ga Stainless Steel 304 (2.5mm)	
Color Couleur	Unpainted	Finish Fini Brushed
Description	Detail Rev.	
9412SSDD 72" x 60" Master Door		
Part Number Numéro Pièce	Rev.	
9412SSDD726024FD	0	1 3

SEE BILL OF MATERIAL ON LAST PAGE

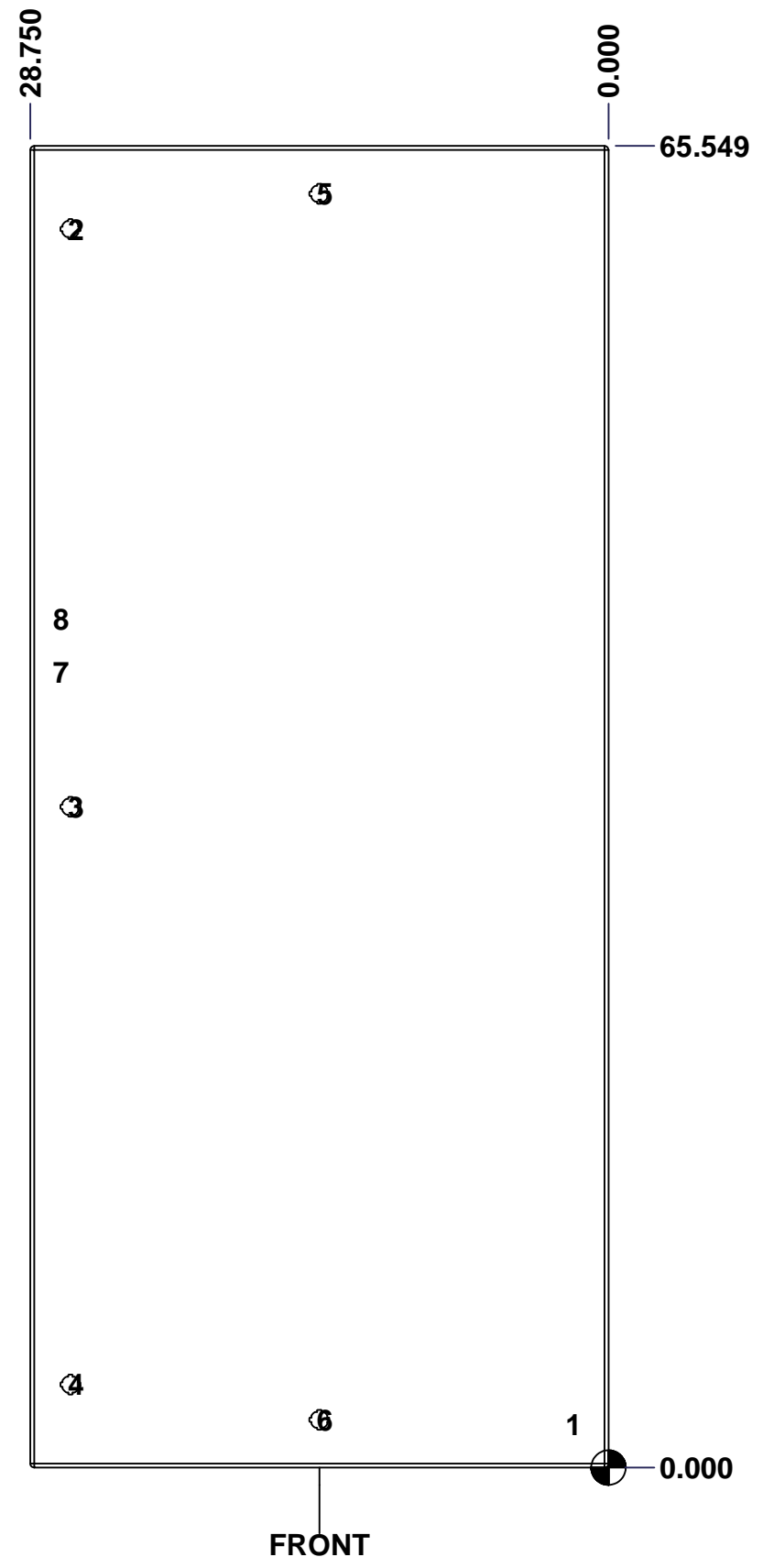
This drawing is confidential and must not be reproduced or used without the consent of EXM

Ce dessin est confidentiel et ne doit pas être reproduit ou utilisé sans le consentement de EXM

STANDARD FEATURES ARE NOT LISTED IN THIS HOLE TABLE

HOLE TABLE - FRONT VIEW (CUSTOM FEATURE ONLY)

CUT-OUT	XDIM	YDIM	DESCRIPTION
1	2.000	2.118	GND STUD M6 x 16mm (Inside)
2	26.750	61.430	LOCK 889 SCQ4-SLSS6 @ 180.0°
3	26.750	32.774	LOCK 889 SCQ4-SLSS6 @ 180.0°
4	26.750	4.118	LOCK 889 SCQ4-SLSS6 @ 180.0°
5	14.375	63.180	LOCK 889 SCQ4-SLSS6 @ 90.0°
6	14.375	2.368	LOCK 889 SCQ4-SLSS6 @ 270.0°
7	27.489	39.435	STUDS M6 x 18mm (Inside)
8	27.489	42.113	STUDS M6 x 18mm (Inside)

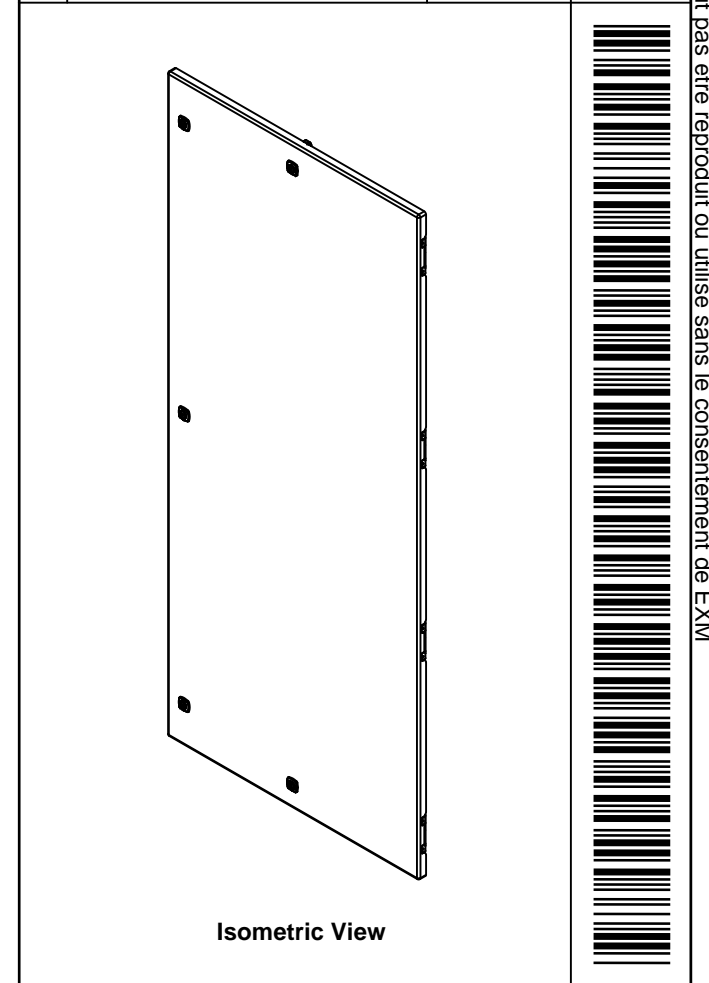



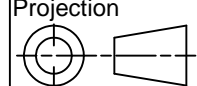
	Description	Status
	9412SSDD 72" x 60" Master Door	(NULL)
	Part Number Numéro Pièce	Rev.
	9412SSDD726024FD	0
		2
		3

This drawing is confidential and must not be reproduced or used without the consent of EXM

Ce dessin est confidentiel et ne doit pas être reproduit ou utilisé sans le consentement de EXM

No.	Revisions	Date	By/Par



 Tél: (450) 979-4373 Fax: (450) 979-4626 www.exmweb.com		Flatness Aplatissement Max 3.0mm Projection 
Customer Client	Date	
Drawn By Dessiné Par	BoxCad: BoxCad	Date 07-Mar-22
Material Matière	12 Ga Stainless Steel 304 (2.5mm)	
Color Couleur	Unpainted	Finish Fini Brushed
Description		Detail Rev.
9412SSDD 72" x 60" Master Door		
Part Number Numéro Pièce	Rev.	3
9412SSDD726024FD	0	3

Qty	Part Name	Rev	Description
2	STK-Q-16070	1	Stud M6 x 18mm Stainless Steel
1	9412SSDD726024DG	0	9412SSDD 72" x 60" Door Gasket
1	STK-Q-16085	0	Ground Stud M6 x 16mm Stainless Steel
1	9412SSDD726024FD-P	0	9412SSDD 72" x 60" Master Door Part
4	STK-K-09870	7	Cabinet Hinge with Captive Pins
5	889 SCQ4-SLSS6	0	9412 SS 1/4 Turn Lock
Parts List			

All knockouts are actual size / Les disques défonçables sont grandeur réel
 All dimensions are before paint / Toutes les dimensions sont avant peinture

This drawing is confidential and must not be reproduced or used without the consent of EXM

Ce dessin est confidentiel et ne doit pas être reproduit ou utilisé sans le consentement de EXM

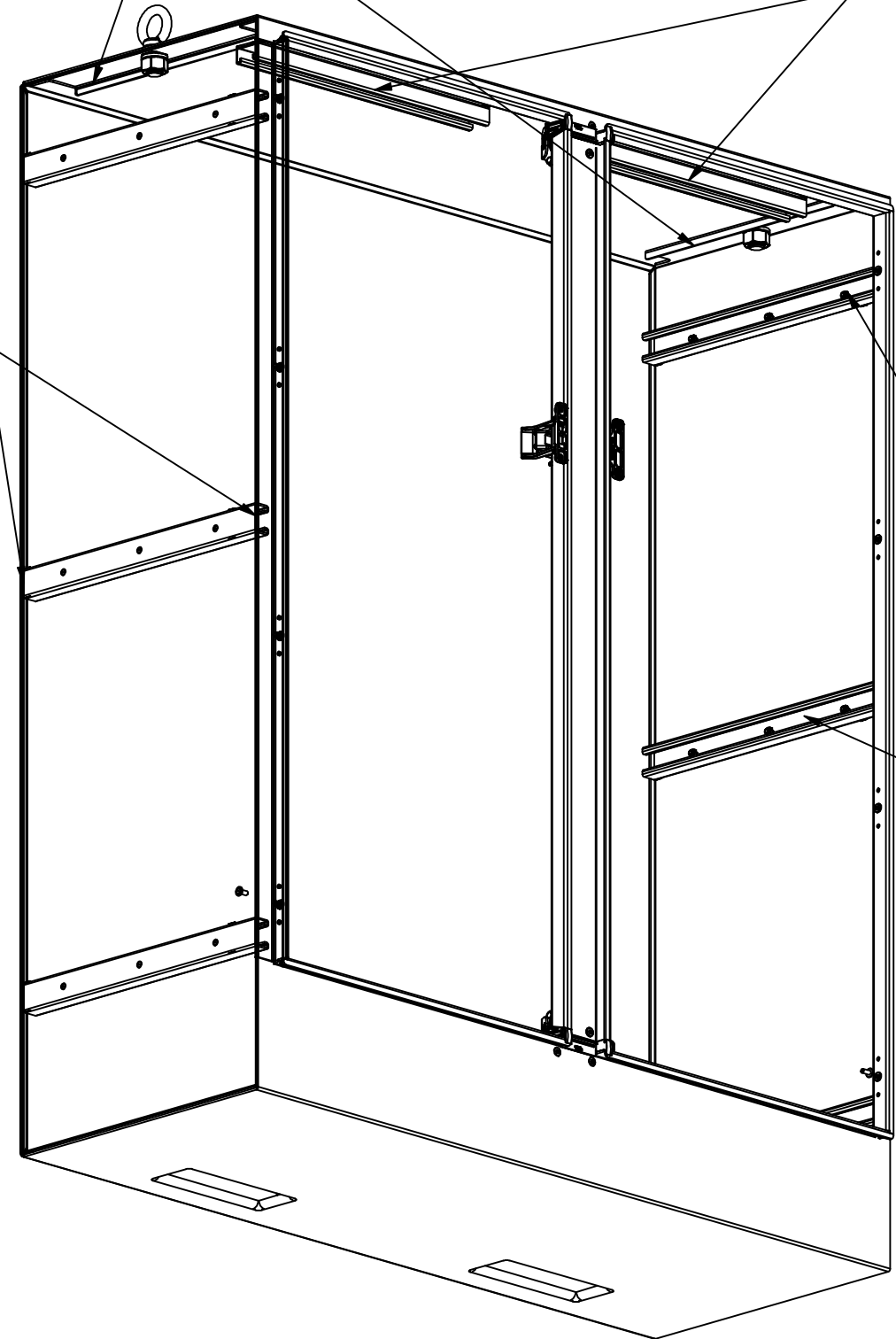
Lifting angles are the flanges of RS and LS top

Struts for light secured with stud only (No weld)

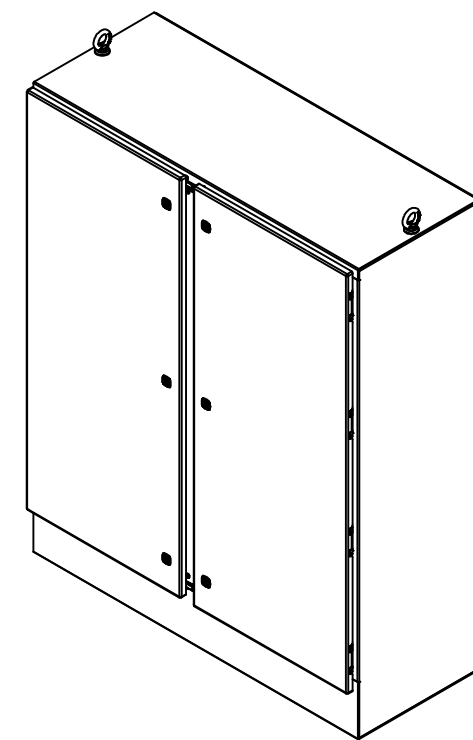
Weld inside of struts with the enclosure corner on both ends

Struts secured with M6 x 10mm studs
 No stud: C_Depth < 12"
 2 studs: 12" ≤ C_Depth < 18"
 3 studs: C_Depth ≥ 18"

Full depth struts length



No.	Revisions	Date	By



Isometric View



Tél: (450) 979-4373
 Fax: (450) 979-4626
www.exmweb.com

Flatness
 Aplatissement
 Max 3.0mm
 Projection

Customer Client	Date
Drawn By / Dessiné Par: PatrickD	Date: 3/9/2020
Material / Matière: N/A	
Color / Couleur: N/A	Finish / Fini: N/A
Description: 9412SSDD Welding Detail	
Part Number / Numéro Pièce: 9412SSDD_WELDING_DETAIL	Rev. 1
	0