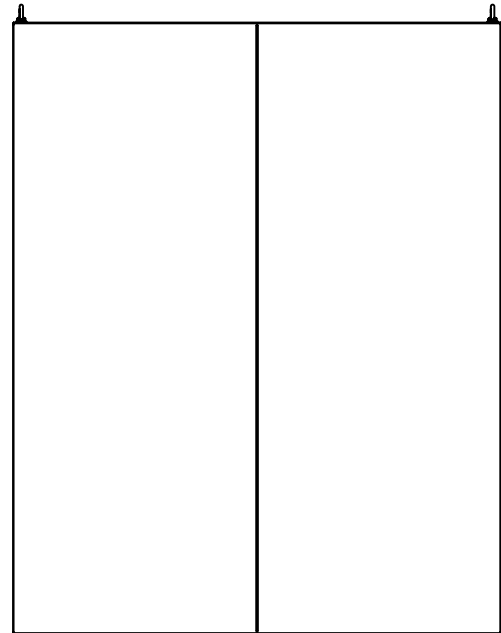


This drawing is confidential and must not be reproduced or used without the consent of EXM

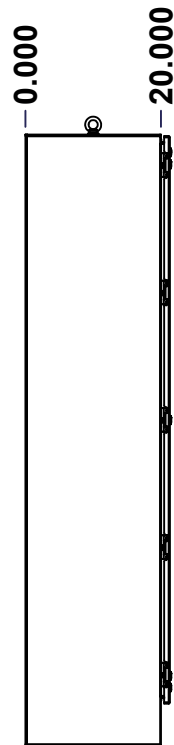
Ce dessin est confidentiel et ne doit pas être reproduit ou utilisé sans le consentement de EXM



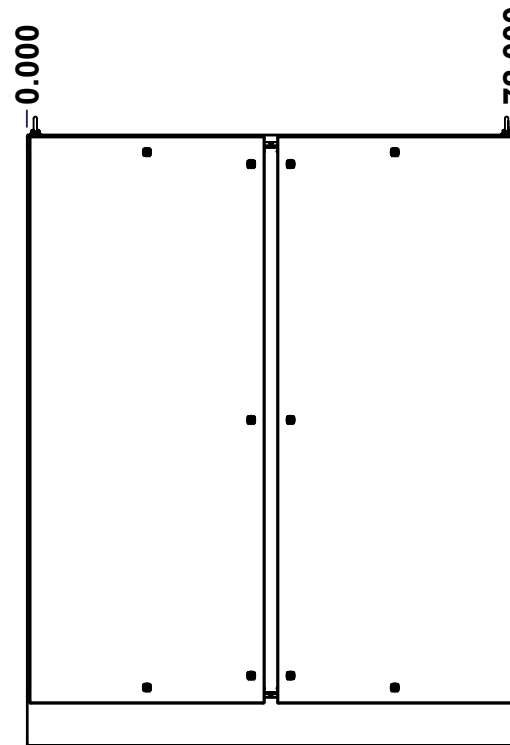
TOP



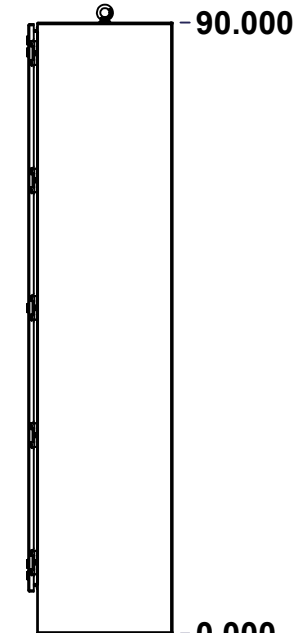
BACK



LEFT



FRONT

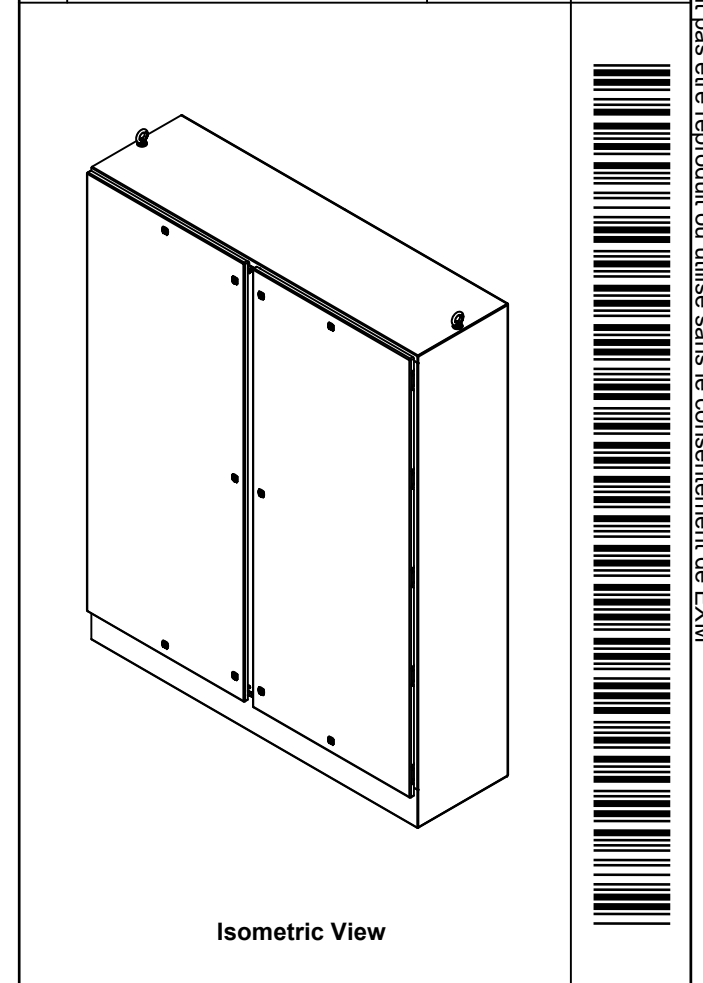


RIGHT



BOTTOM

No.	Revisions	Date	By/Par


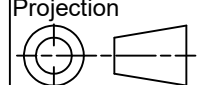


Isometric View



**GRAIN DIRECTION:
TOP/BOTTOM: HORIZONTAL
LEFT/RIGHT/BACK/FRONT: VERTICAL**

SEE BILL OF MATERIAL ON LAST PAGE

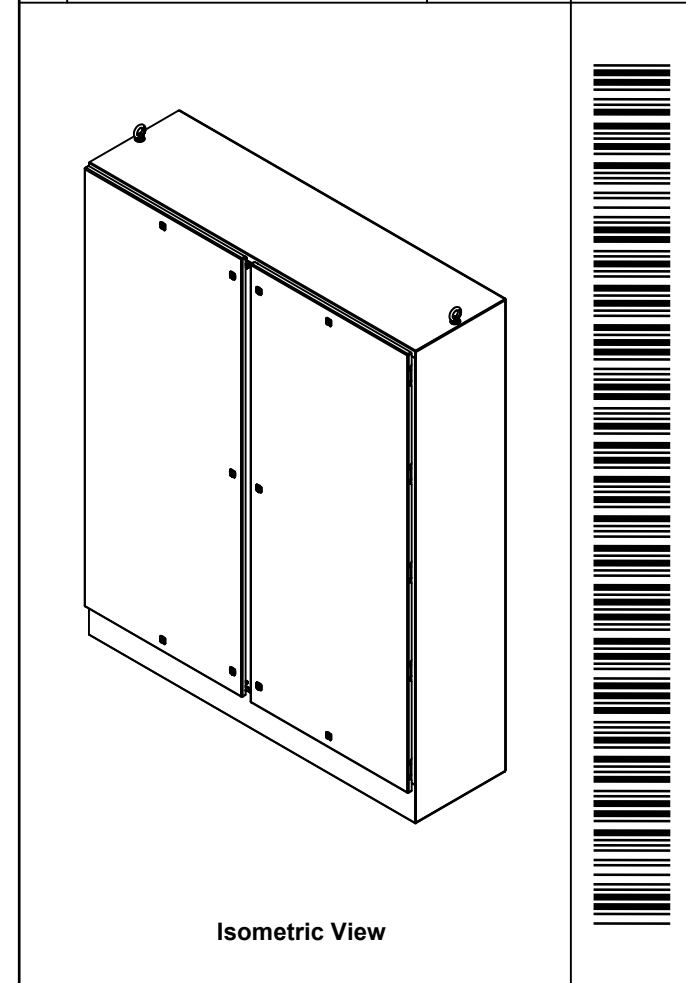
 Tél: (450) 979-4373 Fax: (450) 979-4626 www.exmweb.com		Flatness Aplatissement Max 3.0mm Projection 
Customer Client	Date	
Drawn By Dessiné Par	BoxCad: BoxCad	Date 07-Mar-22
Material Matière	12 Ga Stainless Steel 304 (2.5mm)	
Color Couleur	Unpainted	Finish Fini Brushed
Description	Detail Rev.	
9412SSDD 90" x 72" x 20" Assembly		
Part Number Numéro Pièce	Rev. 0	1 2
9412SSDD907220		

This drawing is confidential and must not be reproduced or used without the consent of EXM

Ce dessin est confidentiel et ne doit pas être reproduit ou utilisé sans le consentement de EXM

NOTE	
ITEM	DESCRIPTION
1	NEMA 4X Enclosure
2	C/W Standard ground studs on box and cover
3	W/O Standard door stiffener
4	W/O Inner panel
5	C/W Standard inner panel mounting struts
6	C/W Struts installed (Included)
7	C/W Eyebolts

No.	Revisions	Date	By/Par



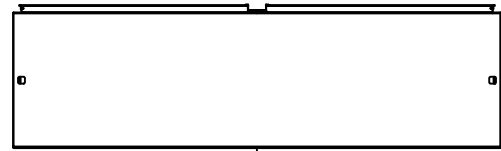
PACKING		
ITEM	QTY	DESCRIPTION
Cardboard sleeve	2	Top and Bottom
Cardboard strip	2	Between back of enclosure and inner panel
Plastic bag	1	To protect cover surface and inside gasket
Cardboard corner	4	To reinforced for the plastic strap tightening
Plastic strap - Black	2	To Squeeze 2 cardboard sleeve together
Packaging label	3	White label with PN
Plastic strap- Green	2	To secure the enclosure to the wood pallet
Wood Pallet	1	2" deeper and 3" larger than enclosure size

1	880INTI	2	880 INTI - Interlock Post Kit
1	880EB14SS	2	Stainless Steel Eye Bolt M14 (Pack of 2)
1	9412SSDD907220FD	0	9412SSDD 90" x 72" Master Door
1	9412SSDD907220LD	0	9412SSDD 90" x 72" Slave Door
1	9412SSDD907220B	0	9412SSDD 90" x 72" x 20" Body
2	9412SSDD907220GP	0	9412SSDD Gland Plate
10	STK-Q-04051-10	8	M6 Hexagon Socket Head Machine Screw with Nyseal
Qty	Part Number	Rev	Description
Parts List			

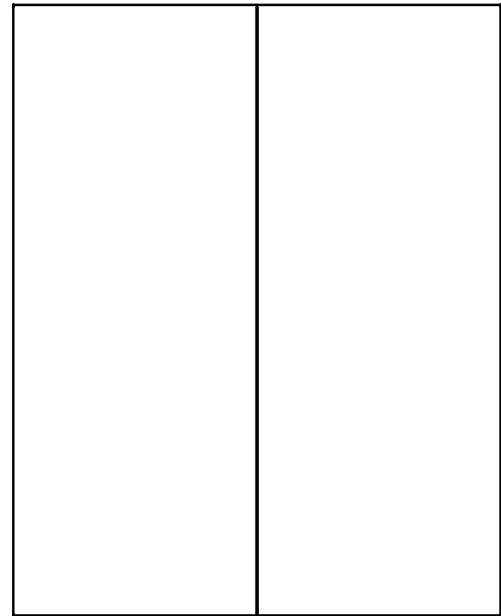
		Tél: (450) 979-4373 Fax: (450) 979-4626 www.exmweb.com		Flatness Aplatissement Max 3.0mm
Customer Client		Date		Projection
Drawn By Dessiné Par BoxCad: BoxCad		Date 07-Mar-22		Material Matière 12 Ga Stainless Steel 304 (2.5mm)
Color Couleur Unpainted		Finish Fini Brushed		Description 9412SSDD 90" x 72" x 20" Assembly
Part Number Numéro Pièce 9412SSDD907220		Rev. 0		Detail Rev. 2

This drawing is confidential and must not be reproduced or used without the consent of EXM

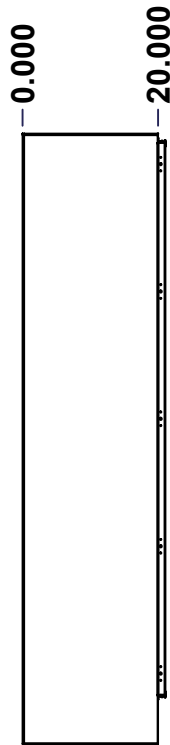
Ce dessin est confidentiel et ne doit pas être reproduit ou utilisé sans le consentement de EXM



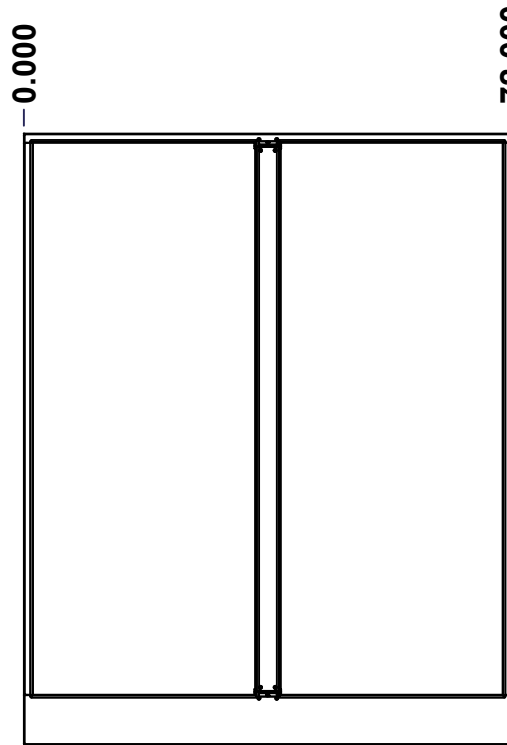
TOP



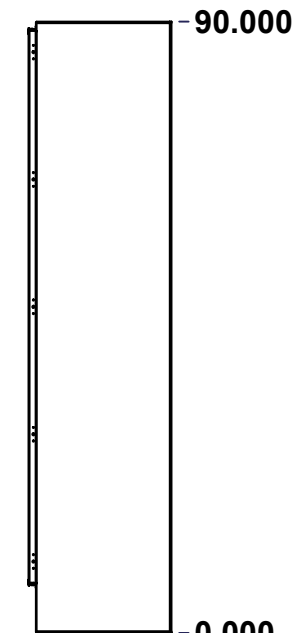
BACK



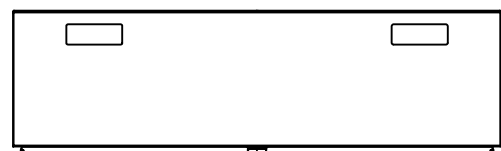
LEFT



FRONT

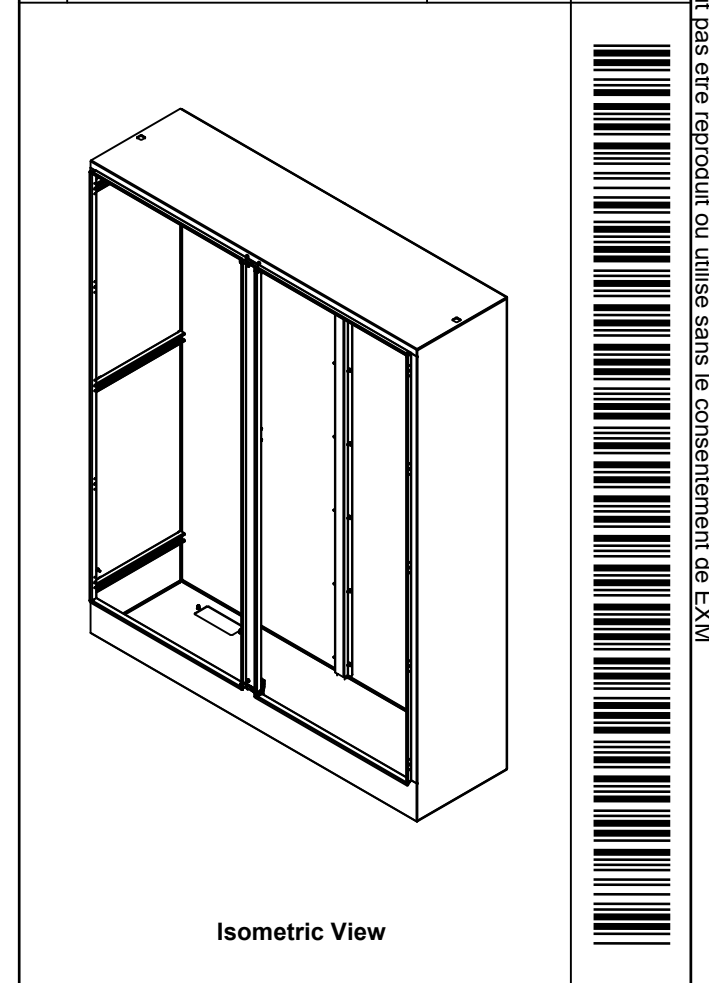



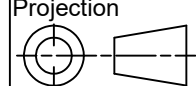
RIGHT



BOTTOM

No.	Revisions	Date	By/Par



 Tél: (450) 979-4373 Fax: (450) 979-4626 www.exmweb.com		Flatness Aplatissement	
		Max 3.0mm	
Customer Client		Date	
Drawn By Dessiné Par BoxCad: BoxCad		Date 07-Mar-22	
Material Matière 12 Ga Stainless Steel 304 (2.5mm)		Projection	
Color Couleur Unpainted		 Finish Fini Brushed	
Description 9412SSDD 90" x 72" x 20" Body		Detail Rev.	
Part Number Numéro Pièce 9412SSDD907220B		Rev. 0	1 2

SEE BILL OF MATERIAL ON LAST PAGE

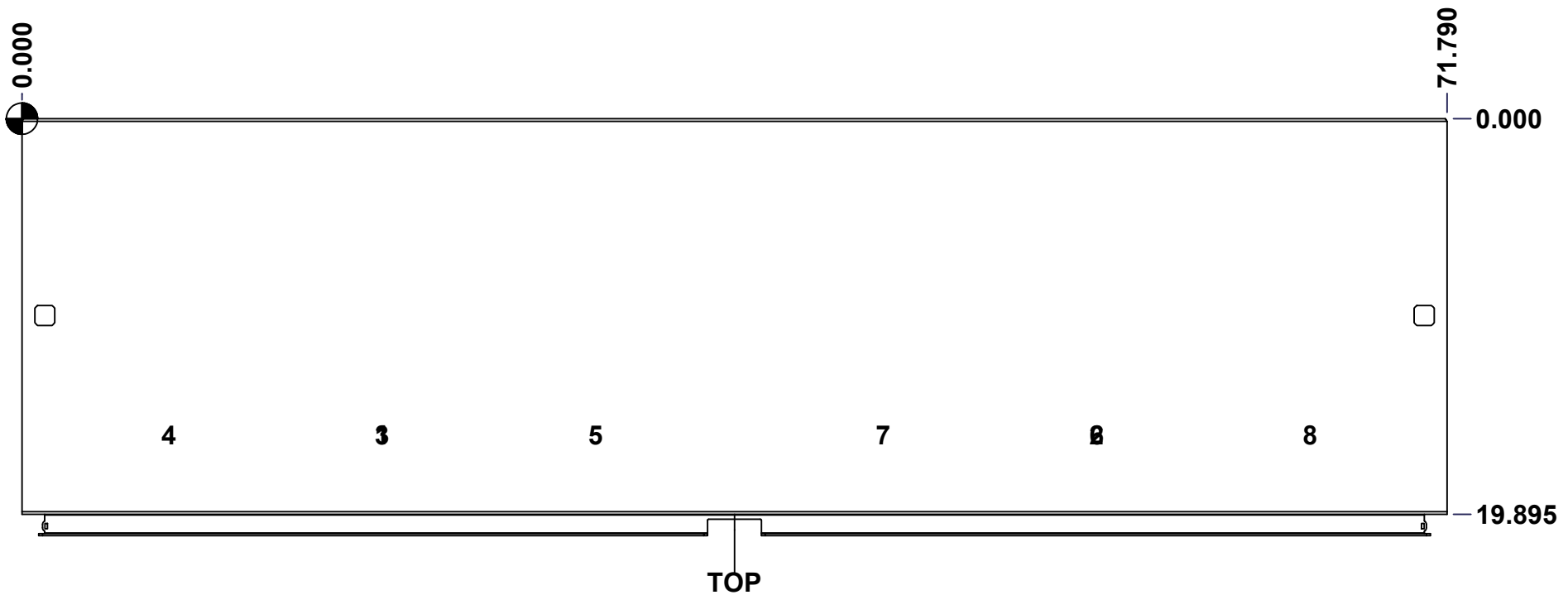
This drawing is confidential and must not be reproduced or used without the consent of EXM

Ce dessin est confidentiel et ne doit pas être reproduit ou utilisé sans le consentement de EXM

STANDARD FEATURES ARE NOT LISTED IN THIS HOLE TABLE

HOLE TABLE - TOP VIEW (CUSTOM FEATURE ONLY)

CUT-OUT	XDIM	YDIM	DESCRIPTION
1	17.895	15.895	Struts CR400 27.500" (Inside)
2	53.895	15.895	Struts CR400 27.500" (Inside)
3	17.895	15.895	STUDS M6 x 10mm (Inside)
4	7.145	15.895	STUDS M6 x 10mm (Inside)
5	28.645	15.895	STUDS M6 x 10mm (Inside)
6	53.895	15.895	STUDS M6 x 10mm (Inside)
7	43.145	15.895	STUDS M6 x 10mm (Inside)
8	64.645	15.895	STUDS M6 x 10mm (Inside)



	Description	Status	
	9412SSDD 90" x 72" x 20" Body	Released	
	Part Number Numéro Pièce	Rev.	
	9412SSDD907220B	0	2 / 7

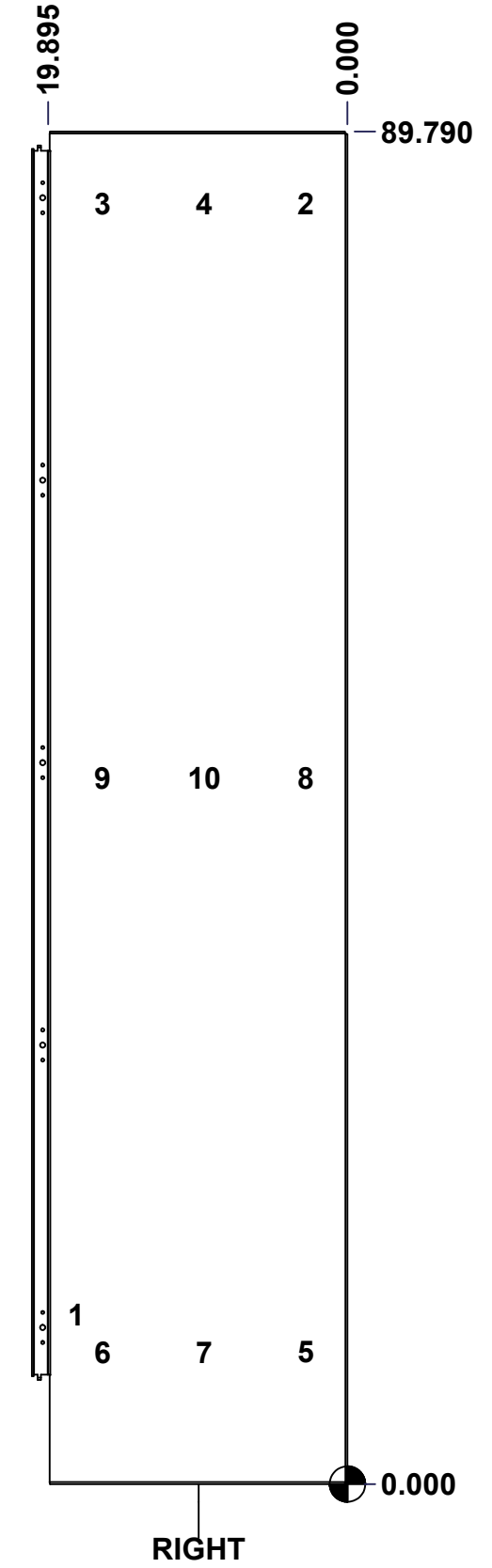
This drawing is confidential and must not be reproduced or used without the consent of EXM

Ce dessin est confidentiel et ne doit pas être reproduit ou utilisé sans le consentement de EXM

STANDARD FEATURES ARE NOT LISTED IN THIS HOLE TABLE

HOLE TABLE - RIGHT VIEW (CUSTOM FEATURE ONLY)

CUT-OUT	XDIM	YDIM	DESCRIPTION
1	18.395	11.270	GND STUD M6 x 16mm (Inside)
2	3.145	85.020	STUDS M6 x 10mm (Inside)
3	16.645	85.020	STUDS M6 x 10mm (Inside)
4	9.895	85.020	STUDS M6 x 10mm (Inside)
5	3.145	8.770	STUDS M6 x 10mm (Inside)
6	16.645	8.770	STUDS M6 x 10mm (Inside)
7	9.895	8.770	STUDS M6 x 10mm (Inside)
8	3.145	46.895	STUDS M6 x 10mm (Inside)
9	16.645	46.895	STUDS M6 x 10mm (Inside)
10	9.895	46.895	STUDS M6 x 10mm (Inside)

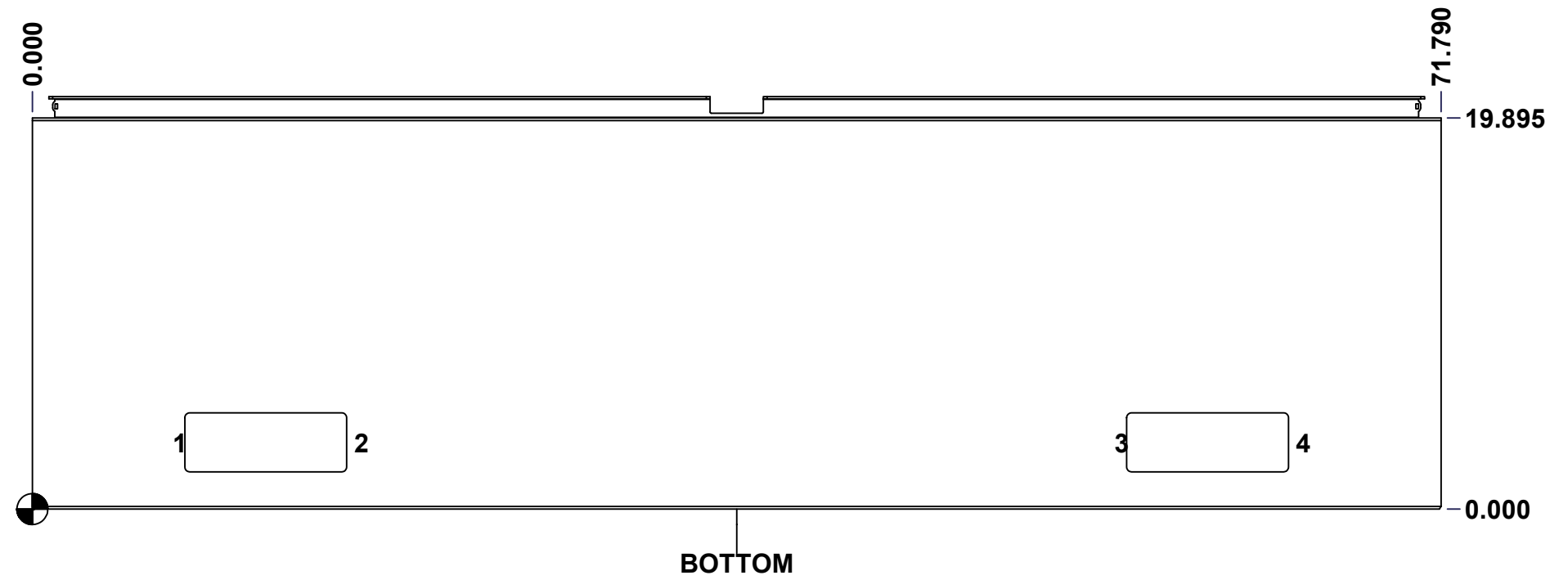


	Description	Status
	9412SSDD 90" x 72" x 20" Body	Released
	Part Number Numéro Pièce	Rev.
	9412SSDD907220B	0
		3
		7

This drawing is confidential and must not be reproduced or used without the consent of EXM

Ce dessin est confidentiel et ne doit pas être reproduit ou utilisé sans le consentement de EXM

STANDARD FEATURES ARE NOT LISTED IN THIS HOLE TABLE			
HOLE TABLE - BOTTOM VIEW (CUSTOM FEATURE ONLY)			
CUT-OUT	XDIM	YDIM	DESCRIPTION
1	7.270	3.395	GP STUD M6 x 16mm (Inside)
2	16.520	3.395	GP STUD M6 x 16mm (Inside)
3	55.270	3.395	GP STUD M6 x 16mm (Inside)
4	64.520	3.395	GP STUD M6 x 16mm (Inside)



	Description	Status	
	9412SSDD 90" x 72" x 20" Body	Released	
	Part Number Numéro Pièce	Rev.	
	9412SSDD907220B	0	4 / 7

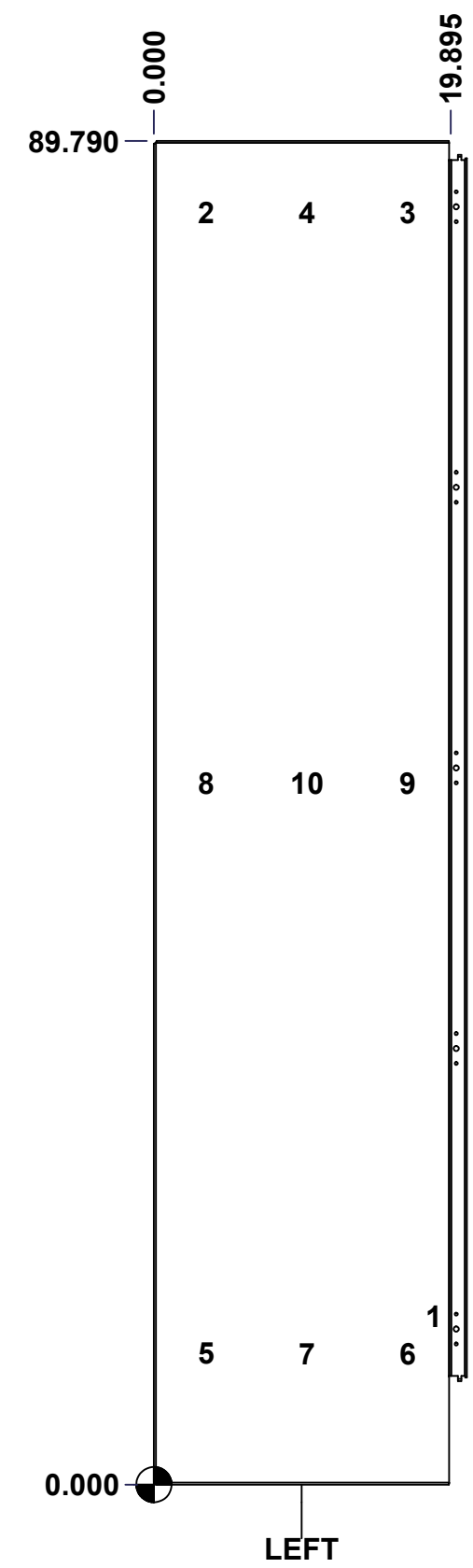
This drawing is confidential and must not be reproduced or used without the consent of EXM

Ce dessin est confidentiel et ne doit pas être reproduit ou utilisé sans le consentement de EXM

STANDARD FEATURES ARE NOT LISTED IN THIS HOLE TABLE

HOLE TABLE - LEFT VIEW (CUSTOM FEATURE ONLY)

CUT-OUT	XDIM	YDIM	DESCRIPTION
1	18.395	11.270	GND STUD M6 x 16mm (Inside)
2	3.145	85.020	STUDS M6 x 10mm (Inside)
3	16.645	85.020	STUDS M6 x 10mm (Inside)
4	9.895	85.020	STUDS M6 x 10mm (Inside)
5	3.145	8.770	STUDS M6 x 10mm (Inside)
6	16.645	8.770	STUDS M6 x 10mm (Inside)
7	9.895	8.770	STUDS M6 x 10mm (Inside)
8	3.145	46.895	STUDS M6 x 10mm (Inside)
9	16.645	46.895	STUDS M6 x 10mm (Inside)
10	9.895	46.895	STUDS M6 x 10mm (Inside)



	Description	Status	
	9412SSDD 90" x 72" x 20" Body	Released	
	Part Number Numéro Pièce	Rev.	5
	9412SSDD907220B	0	7

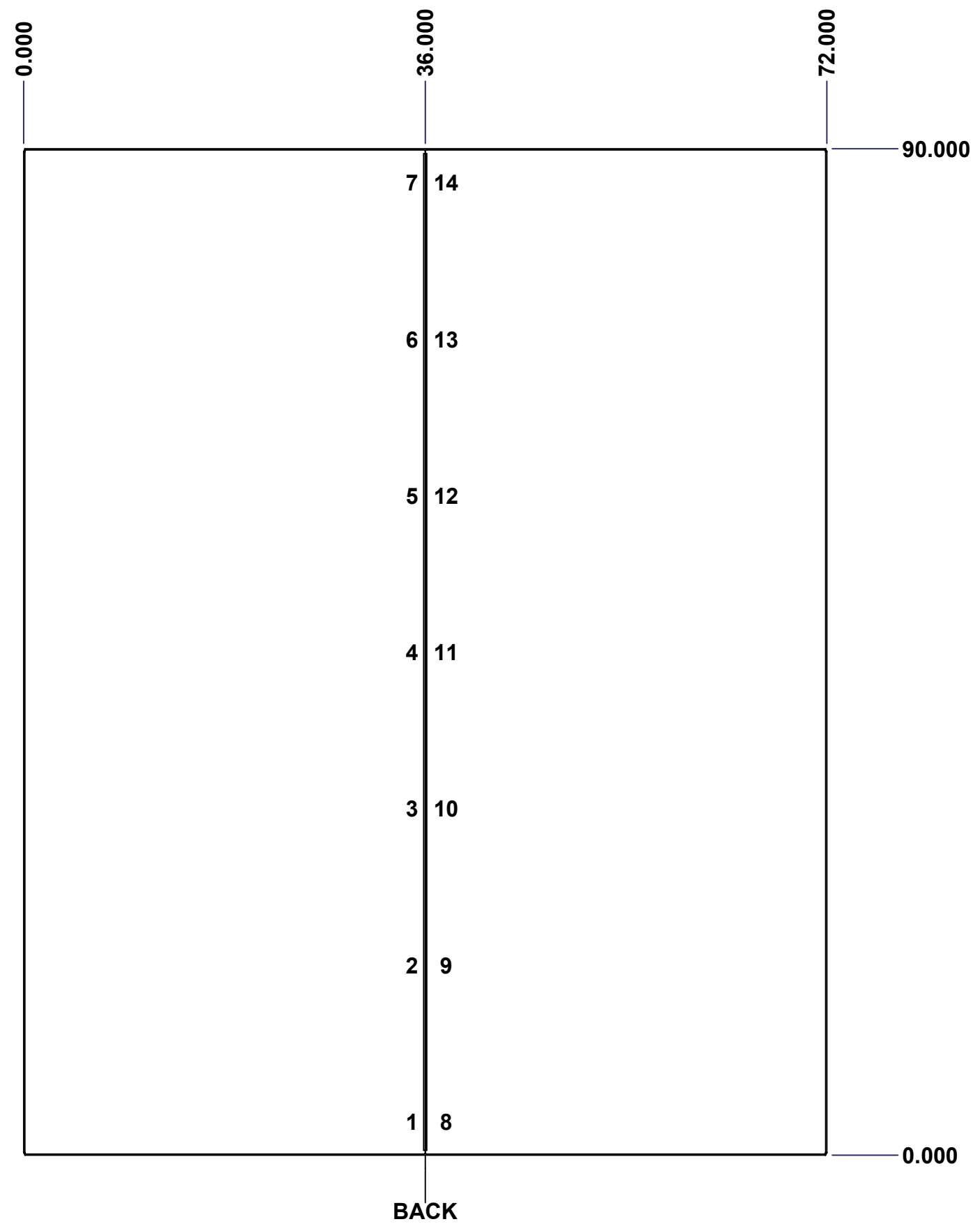
This drawing is confidential and must not be reproduced or used without the consent of EXM

Ce dessin est confidentiel et ne doit pas être reproduit ou utilisé sans le consentement de EXM

STANDARD FEATURES ARE NOT LISTED IN THIS HOLE TABLE

HOLE TABLE - BACK VIEW (CUSTOM FEATURE ONLY)

CUT-OUT	XDIM	YDIM	DESCRIPTION
1	34.480	3.000	STUDS M6 x 18mm (Inside)
2	34.480	17.000	STUDS M6 x 18mm (Inside)
3	34.480	31.000	STUDS M6 x 18mm (Inside)
4	34.480	45.000	STUDS M6 x 18mm (Inside)
5	34.480	59.000	STUDS M6 x 18mm (Inside)
6	34.480	73.000	STUDS M6 x 18mm (Inside)
7	34.480	87.000	STUDS M6 x 18mm (Inside)
8	37.520	3.000	STUDS M6 x 18mm (Inside)
9	37.520	17.000	STUDS M6 x 18mm (Inside)
10	37.520	31.000	STUDS M6 x 18mm (Inside)
11	37.520	45.000	STUDS M6 x 18mm (Inside)
12	37.520	59.000	STUDS M6 x 18mm (Inside)
13	37.520	73.000	STUDS M6 x 18mm (Inside)
14	37.520	87.000	STUDS M6 x 18mm (Inside)

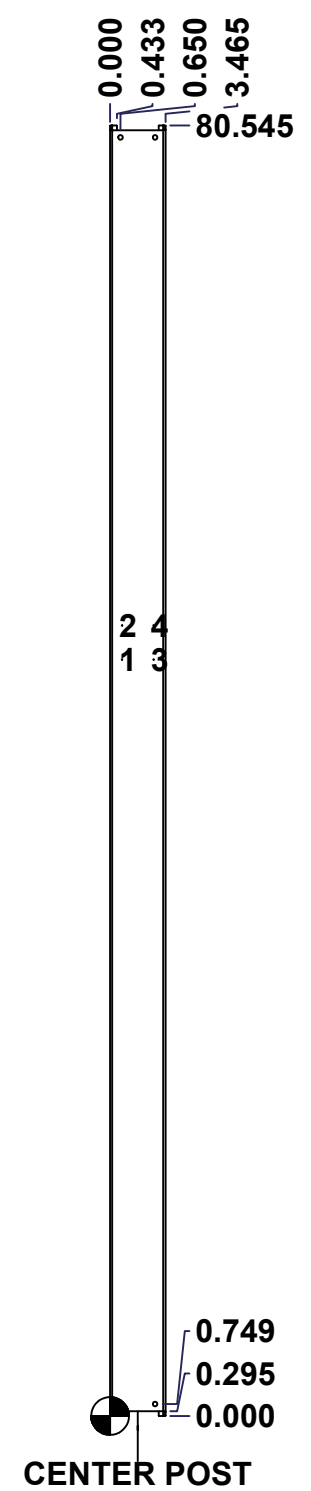


	Description	Status
	9412SSDD 90" x 72" x 20" Body	Released
	Part Number Numéro Pièce	Rev.
	9412SSDD907220B	0
		6
		7

This drawing is confidential and must not be reproduced or used without the consent of EXM

Ce dessin est confidentiel et ne doit pas être reproduit ou utilisé sans le consentement de EXM

STANDARD FEATURES ARE NOT LISTED IN THIS HOLE TABLE			
HOLE TABLE - CENTER VIEW (CUSTOM FEATURE ONLY)			
CUT-OUT	XDIM	YDIM	DESCRIPTION
1	0.748	47.210	INTERLOCK STUD M6 x 16mm (Inside)
2	0.748	49.336	INTERLOCK STUD M6 x 16mm (Inside)
3	2.717	47.210	INTERLOCK STUD M6 x 16mm (Inside)
4	2.717	49.336	INTERLOCK STUD M6 x 16mm (Inside)

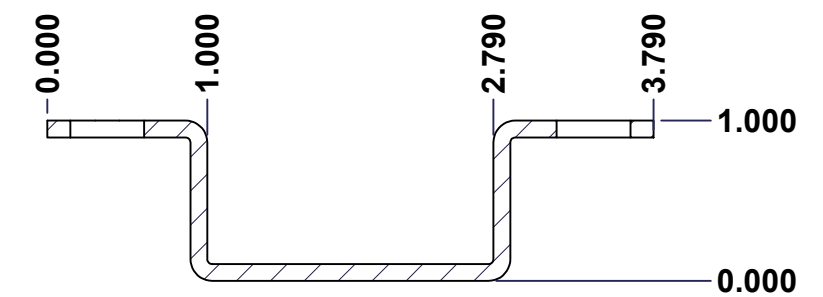
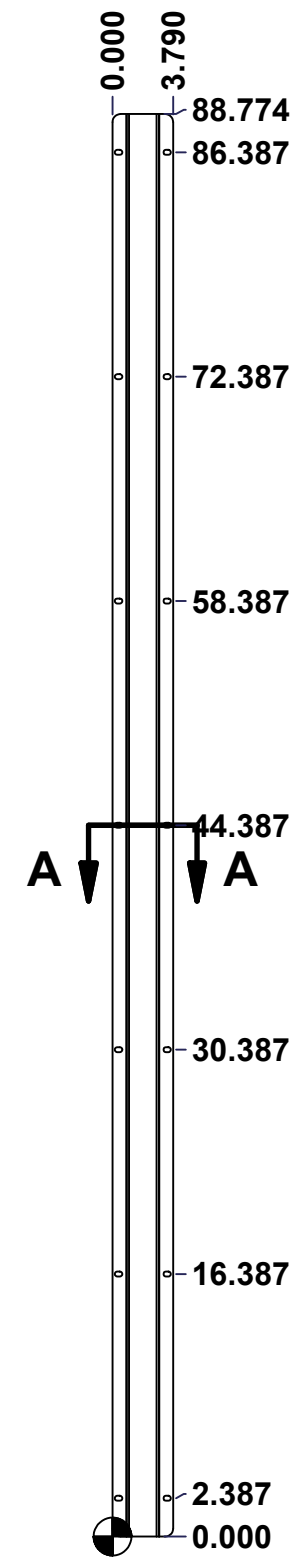


	Description	Status	
	9412SSDD 90" x 72" x 20" Body	Released	
	Part Number Numéro Pièce	Rev.	
	9412SSDD907220B	0	6 7

This drawing is confidential and must not be reproduced or used without the consent of EXM

STANDARD FEATURES ARE NOT LISTED IN THIS HOLE TABLE

Ce dessin est confidentiel et ne doit pas être reproduit ou utilisé sans le consentement de EXM



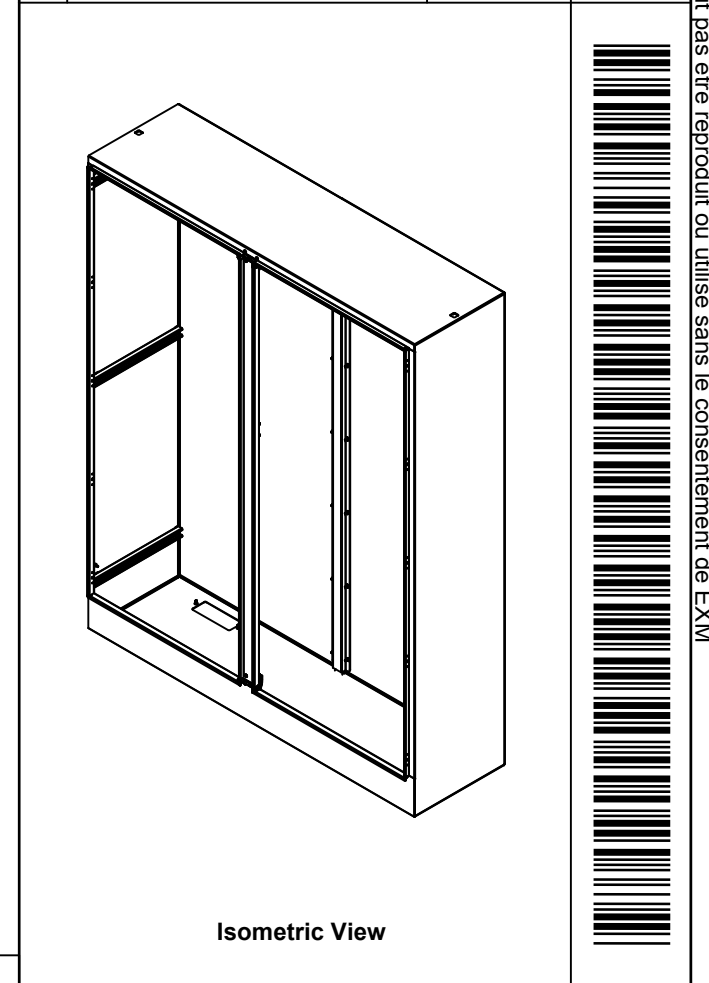
SECTION A-A

	Description		Status	
	9412SSDD 90" x 72" x 20" Body		Released	
Part Number Numéro Pièce		Rev.	6	7
9412SSDD907220B		0		

This drawing is confidential and must not be reproduced or used without the consent of EXM

Ce dessin est confidentiel et ne doit pas être reproduit ou utilisé sans le consentement de EXM

No.	Revisions	Date	By/Par

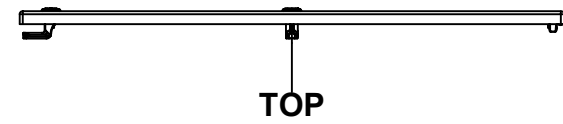


24	STK-Q-16040	0	Stud M6 x 10mm Stainless Steel
2	STK-Q-16085	0	Ground Stud M6 x 16mm Stainless Steel
4	STK-Q-16095	0	M6 x 16mm Stainless Steel Ground Stud
6	STK-Q-52550-20	0	Stainless Steel 304 Sasco Strut S5 (19.500" Long)
18	STK-Q-16070	1	Stud M6 x 18mm Stainless Steel
1	STK-A-75456	2	Center Post - Stainless Steel Sealing Block with Latch Assembly (Large)
1	9412SSDD907220CP-P	0	9412SSDD 90" Center Post Part
1	9412SSDD907220POST-P	0	9412SSDD 90" IP Post Part
1	9412SSDD907220BT-P	0	9412SSDD 72" x 20" Bottom Part
1	9412SSDD907220T-P	0	9412SSDD 72" x 20" Top Part
1	9412SSDD907220RS-P	0	9412SSDD 90" x 72" Right Part
1	9412SSDD907220LS-P	0	9412SSDD 90" x 72" Left Part
1	9412SSDD907220BR-P	0	9412SSDD 90" x 72" Back Right Part
1	9412SSDD907220BL-P	0	9412SSDD 90" x 72" Back Left Part
2	CR400SS_27.5	0	Commercial Roll Stainless Steel (27.5in long)
38	STK-Q-07220	1	M6 Nylon Insert Lock Nut
Qty	Part Number	Rev	Description
Parts List			

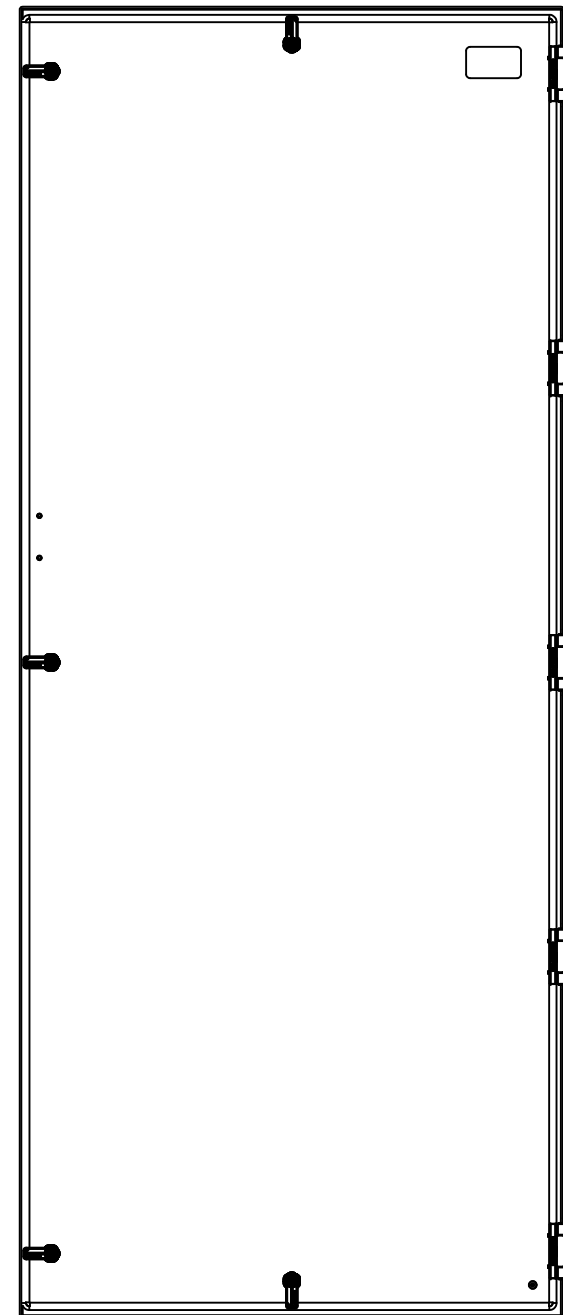
<p>Tél: (450) 979-4373 Fax: (450) 979-4626 www.exmweb.com</p>	Flatness Aplatissement	Max 3.0mm
	Projection	
Customer Client	Date	
Drawn By Dessiné Par	BoxCad: BoxCad	Date 07-Mar-22
Material Matière	12 Ga Stainless Steel 304 (2.5mm)	
Color Couleur	Unpainted	Finish Fini Brushed
Description	Detail Rev.	
9412SSDD 90" x 72" x 20" Body		
Part Number Numéro Pièce	Rev.	2
9412SSDD907220B	0	2

This drawing is confidential and must not be reproduced or used without the consent of EXM

Ce dessin est confidentiel et ne doit pas être reproduit ou utilisé sans le consentement de EXM



TOP

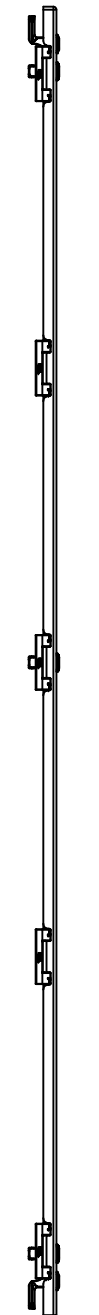


BACK



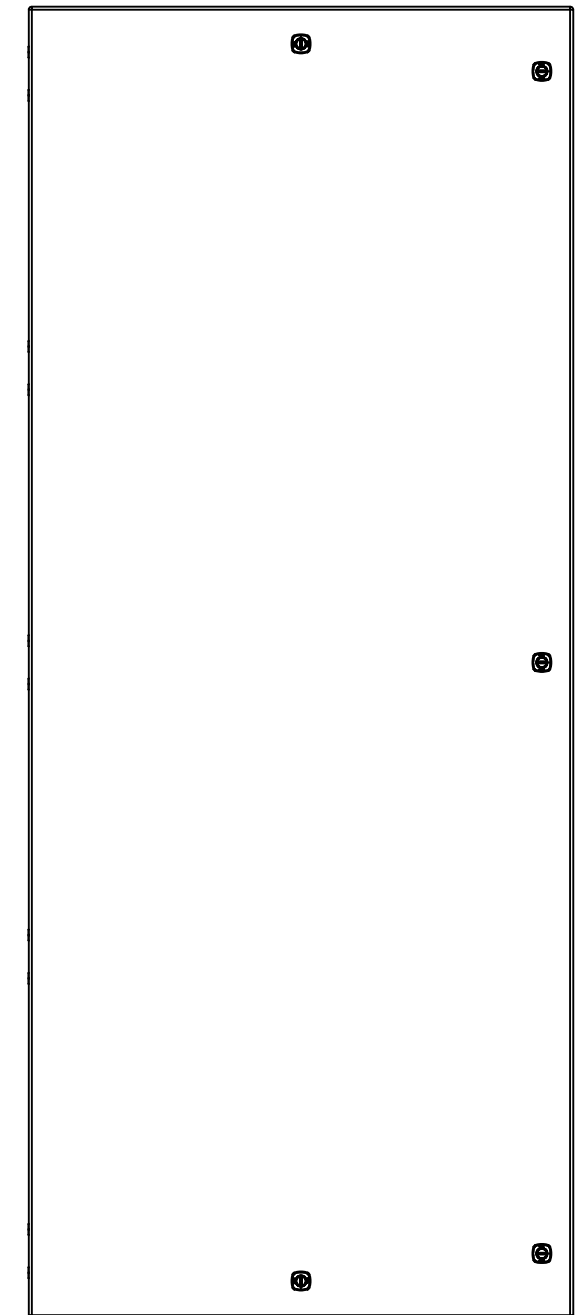
BOTTOM

0.000
0.835



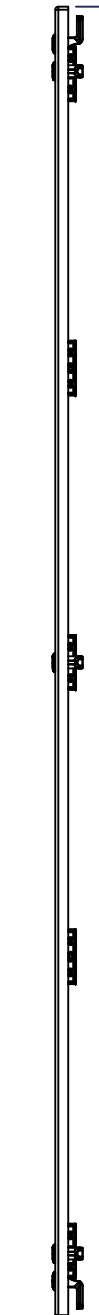
LEFT

0.000
34.750



FRONT

83.549



RIGHT

0.000

No.	Revisions	Date	By/Par

Isometric View

<p>Tél: (450) 979-4373 Fax: (450) 979-4626 www.exmweb.com</p>		Flatness Aplatissement	
		Max 3.0mm	
Customer Client		Projection	
Date			
Drawn By Dessiné Par	BoxCad: BoxCad	Date	07-Mar-22
Material Matière: 12 Ga Stainless Steel 304 (2.5mm)			
Color Couleur: Unpainted	Finish Fini: Brushed		
Description 9412SSDD 90" x 72" Slave Door		Detail Rev.	
Part Number Numéro Pièce: 9412SSDD907220LD		Rev.	1 3

SEE BILL OF MATERIAL ON LAST PAGE

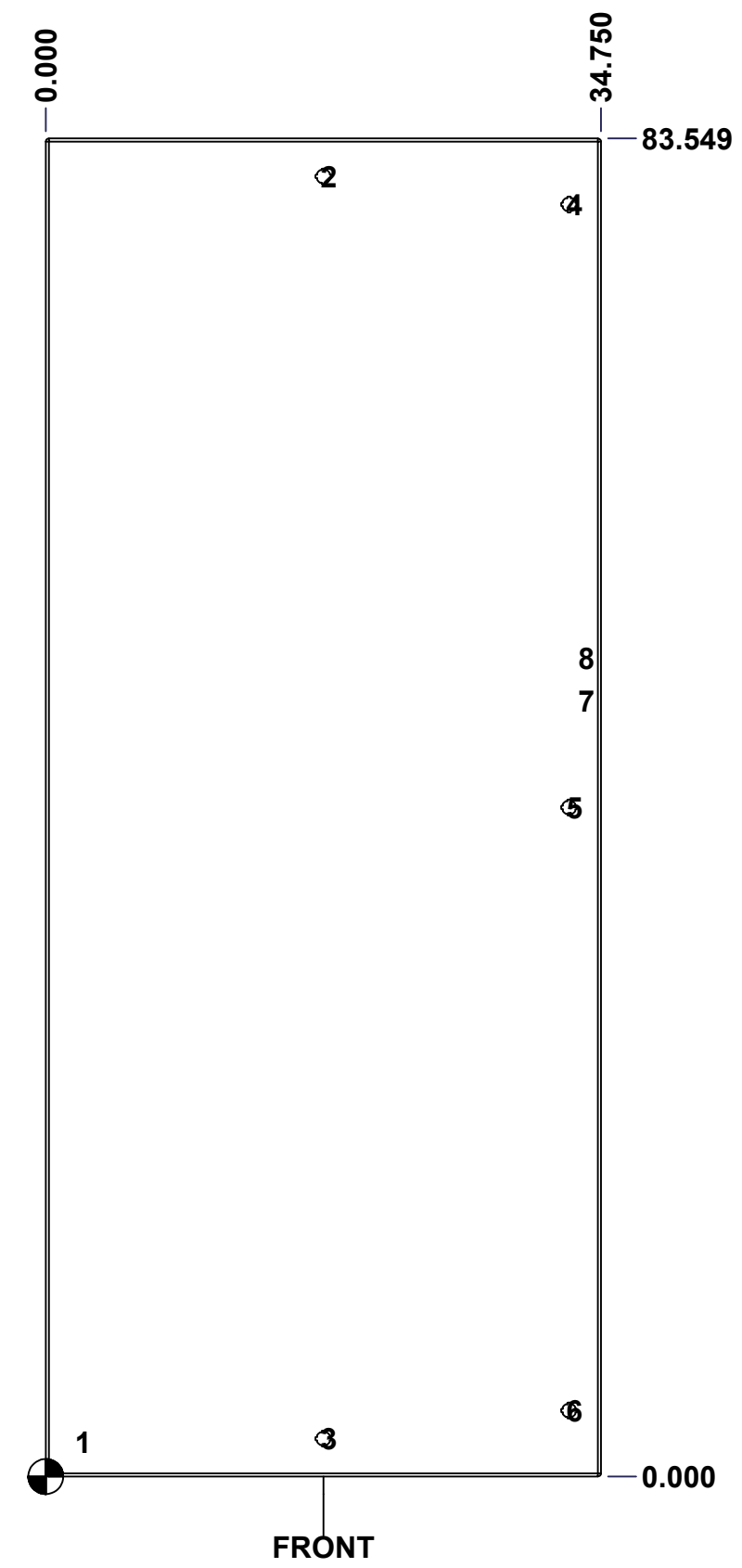
This drawing is confidential and must not be reproduced or used without the consent of EXM

Ce dessin est confidentiel et ne doit pas être reproduit ou utilisé sans le consentement de EXM

STANDARD FEATURES ARE NOT LISTED IN THIS HOLE TABLE

HOLE TABLE - FRONT VIEW (CUSTOM FEATURE ONLY)

CUT-OUT	XDIM	YDIM	DESCRIPTION
1	2.000	2.118	GND STUD M6 x 16mm (Inside)
2	17.375	81.180	LOCK 889 SCQ4-SLSS6 @ 90.0°
3	17.375	2.368	LOCK 889 SCQ4-SLSS6 @ 270.0°
4	32.750	79.430	LOCK 889 SCQ4-SLSS6 @ 0.0°
5	32.750	41.774	LOCK 889 SCQ4-SLSS6 @ 0.0°
6	32.750	4.118	LOCK 889 SCQ4-SLSS6 @ 0.0°
7	33.489	48.435	STUDS M6 x 18mm (Inside)
8	33.489	51.113	STUDS M6 x 18mm (Inside)

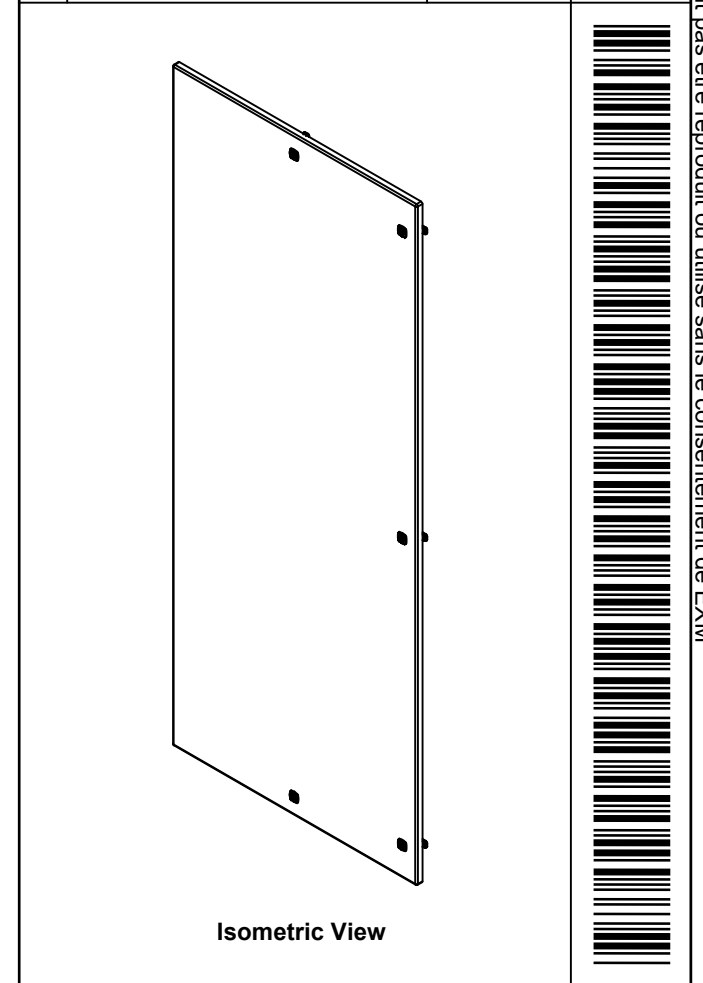



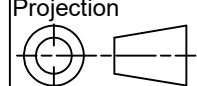
	Description	Status
	9412SSDD 90" x 72" Slave Door	(NULL)
	Part Number Numéro Pièce	Rev.
	9412SSDD907220LD	0
		2
		3

This drawing is confidential and must not be reproduced or used without the consent of EXM

Ce dessin est confidentiel et ne doit pas être reproduit ou utilisé sans le consentement de EXM

No.	Revisions	Date	By/Par

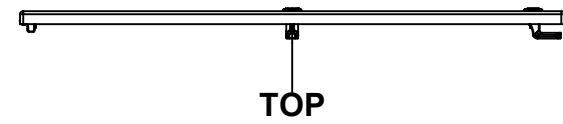


 Tél: (450) 979-4373 Fax: (450) 979-4626 www.exmweb.com		Flatness Aplatissement Max 3.0mm Projection 
Customer Client	Date	
Drawn By Dessiné Par	BoxCad: BoxCad	Date 07-Mar-22
Material Matière	12 Ga Stainless Steel 304 (2.5mm)	
Color Couleur	Unpainted	Finish Fini Brushed
Description		Detail Rev.
9412SSDD 90" x 72" Slave Door		
Part Number Numéro Pièce	Rev.	3
9412SSDD907220LD	0	3

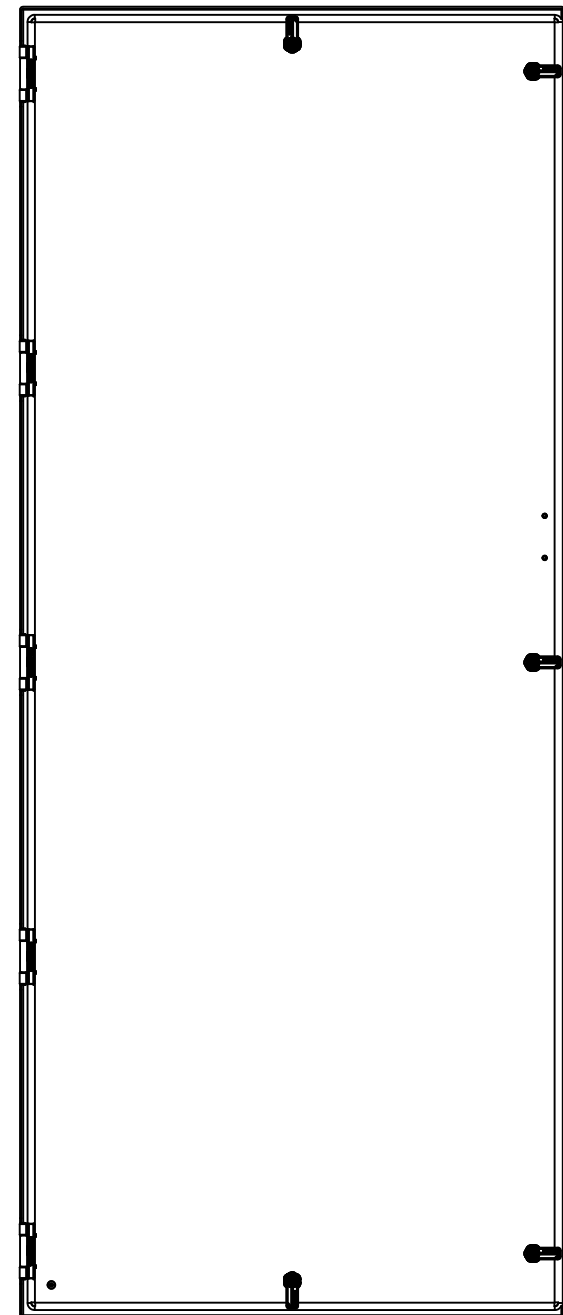
Qty	Part Name	Rev	Description
2	STK-Q-16070	1	Stud M6 x 18mm Stainless Steel
1	9412SSDD907220DG	0	9412SSDD 90" x 72" Door Gasket
1	STK-Q-16085	0	Ground Stud M6 x 16mm Stainless Steel
1	STK-S-00100	0	3.5" x 2" Silver Milar Flexcon Sticker
1	9412SSDD907220LD-P	0	9412SSDD 90" x 72" Slave Door Part
5	STK-K-09870	7	Cabinet Hinge with Captive Pins
5	889 SCQ4-SLSS6	0	9412 SS 1/4 Turn Lock
Parts List			

This drawing is confidential and must not be reproduced or used without the consent of EXM

Ce dessin est confidentiel et ne doit pas être reproduit ou utilisé sans le consentement de EXM



TOP

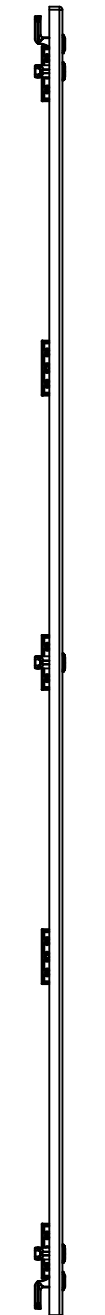


BACK



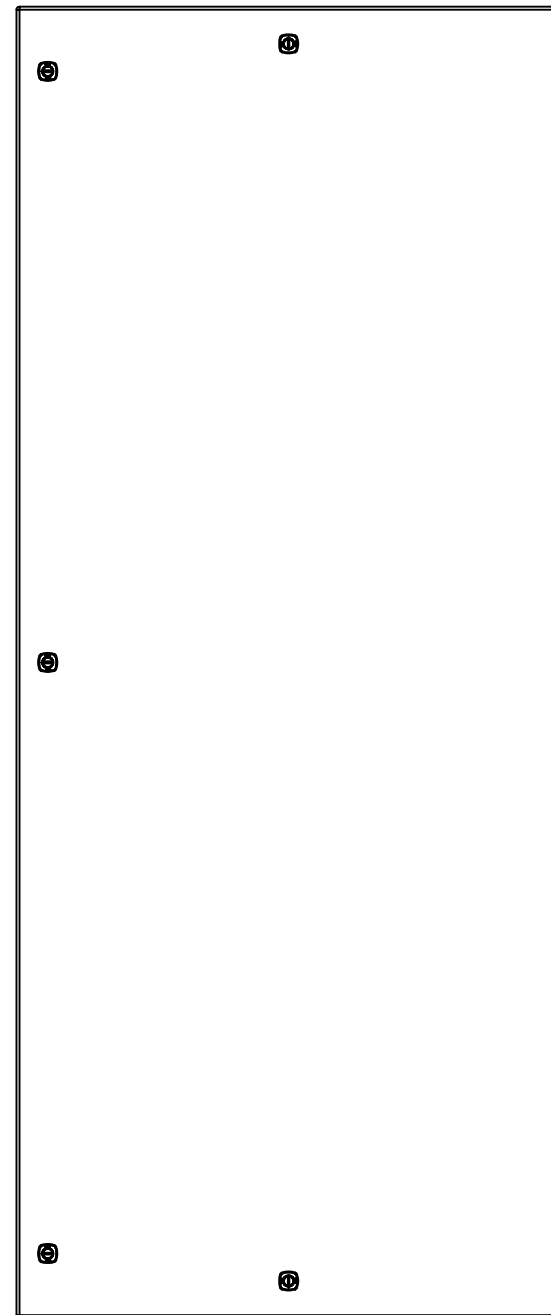
BOTTOM

0.000
0.835



LEFT

34.750



FRONT

0.000

83.549



RIGHT

0.000

No.	Revisions	Date	By/Par

Isometric View

		Flatness Aplatissement Max 3.0mm Projection 	
Tél: (450) 979-4373 Fax: (450) 979-4626 www.exmweb.com		Customer Client Date	
Drawn By Dessiné Par BoxCad: BoxCad		Date 07-Mar-22	
Material Matière 12 Ga Stainless Steel 304 (2.5mm)		Color Couleur Unpainted	
		Finish Fini Brushed	
Description 9412SSDD 90" x 72" Master Door		Detail Rev.	
Part Number Numéro Pièce 9412SSDD907220FD		Rev. 0	1 3

SEE BILL OF MATERIAL ON LAST PAGE

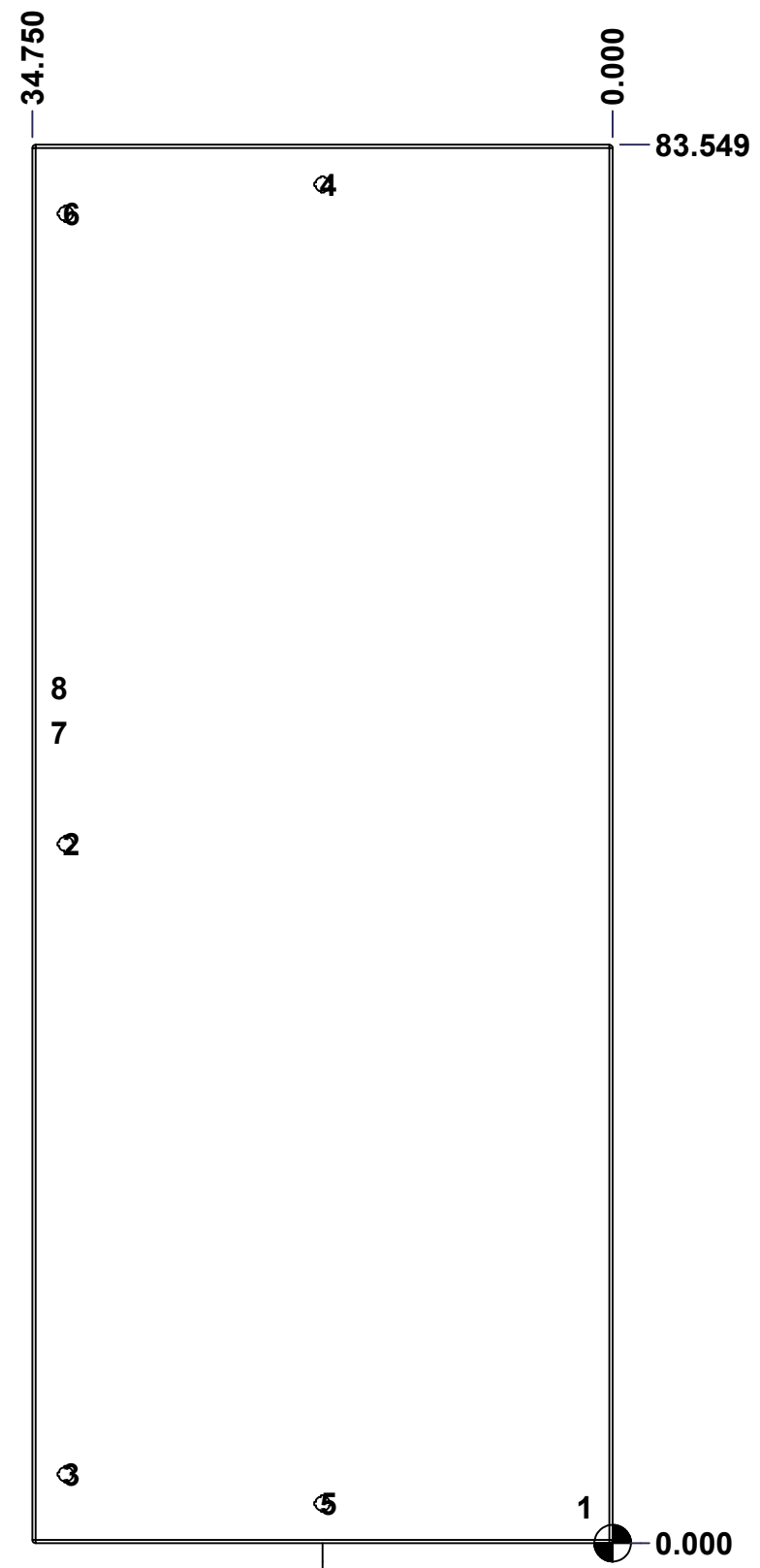
This drawing is confidential and must not be reproduced or used without the consent of EXM

Ce dessin est confidentiel et ne doit pas être reproduit ou utilisé sans le consentement de EXM

STANDARD FEATURES ARE NOT LISTED IN THIS HOLE TABLE

HOLE TABLE - FRONT VIEW (CUSTOM FEATURE ONLY)

CUT-OUT	XDIM	YDIM	DESCRIPTION
1	2.000	2.118	GND STUD M6 x 16mm (Inside)
2	32.750	41.774	LOCK 889 SCQ4-SLSS6 @ 180.0°
3	32.750	4.118	LOCK 889 SCQ4-SLSS6 @ 180.0°
4	17.375	81.180	LOCK 889 SCQ4-SLSS6 @ 90.0°
5	17.375	2.368	LOCK 889 SCQ4-SLSS6 @ 270.0°
6	32.750	79.430	LOCK 889 SCQ4-SLSS6 @ 180.0°
7	33.489	48.435	STUDS M6 x 18mm (Inside)
8	33.489	51.113	STUDS M6 x 18mm (Inside)



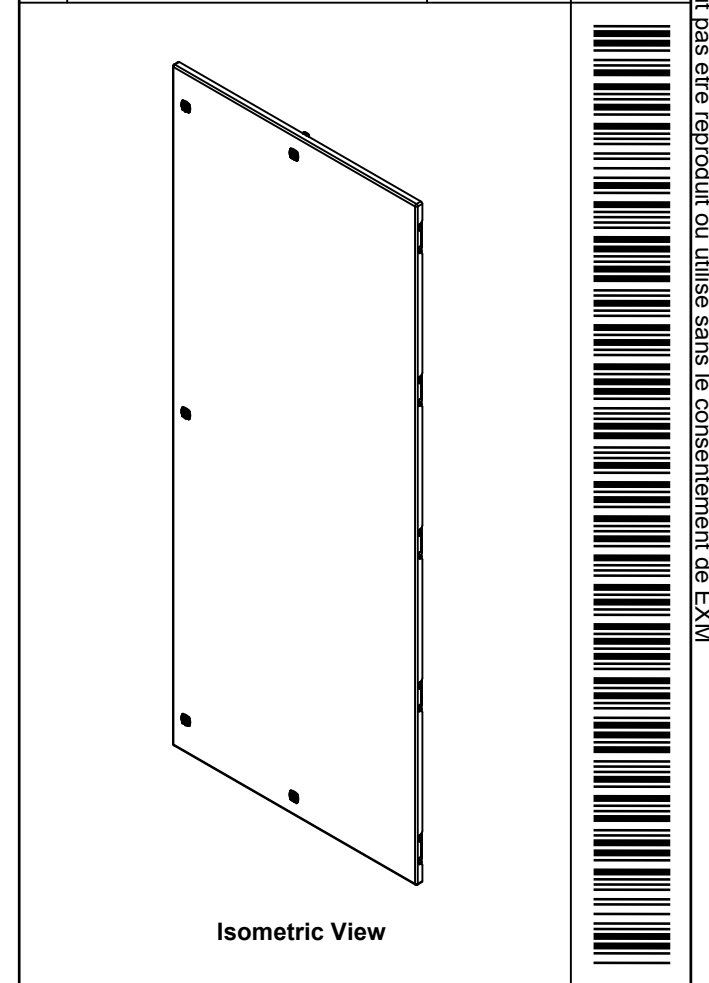
FRONT


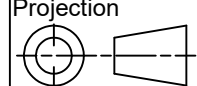
	Description	Status
	9412SSDD 90" x 72" Master Door	(NULL)
	Part Number Numéro Pièce	Rev.
	9412SSDD907220FD	0
		2
		3

This drawing is confidential and must not be reproduced or used without the consent of EXM

Ce dessin est confidentiel et ne doit pas être reproduit ou utilisé sans le consentement de EXM

No.	Revisions	Date	By/Par



 Tél: (450) 979-4373 Fax: (450) 979-4626 www.exmweb.com		Flatness Aplatissement Max 3.0mm Projection 
Customer Client	Date	
Drawn By Dessiné Par	BoxCad: BoxCad	Date 07-Mar-22
Material Matière	12 Ga Stainless Steel 304 (2.5mm)	
Color Couleur	Unpainted	Finish Fini Brushed
Description		Detail Rev.
9412SSDD 90" x 72" Master Door		
Part Number Numéro Pièce	Rev.	3
9412SSDD907220FD	0	3

Qty	Part Name	Rev	Description
2	STK-Q-16070	1	Stud M6 x 18mm Stainless Steel
1	9412SSDD907220DG	0	9412SSDD 90" x 72" Door Gasket
1	STK-Q-16085	0	Ground Stud M6 x 16mm Stainless Steel
1	9412SSDD907220FD-P	0	9412SSDD 90" x 72" Master Door Part
5	STK-K-09870	7	Cabinet Hinge with Captive Pins
5	889 SCQ4-SLSS6	0	9412 SS 1/4 Turn Lock
Parts List			

All knockouts are actual size / Les disques défonçables sont grandeur réel
 All dimensions are before paint / Toutes les dimensions sont avant peinture

This drawing is confidential and must not be reproduced or used without the consent of EXM

Ce dessin est confidentiel et ne doit pas être reproduit ou utilisé sans le consentement de EXM

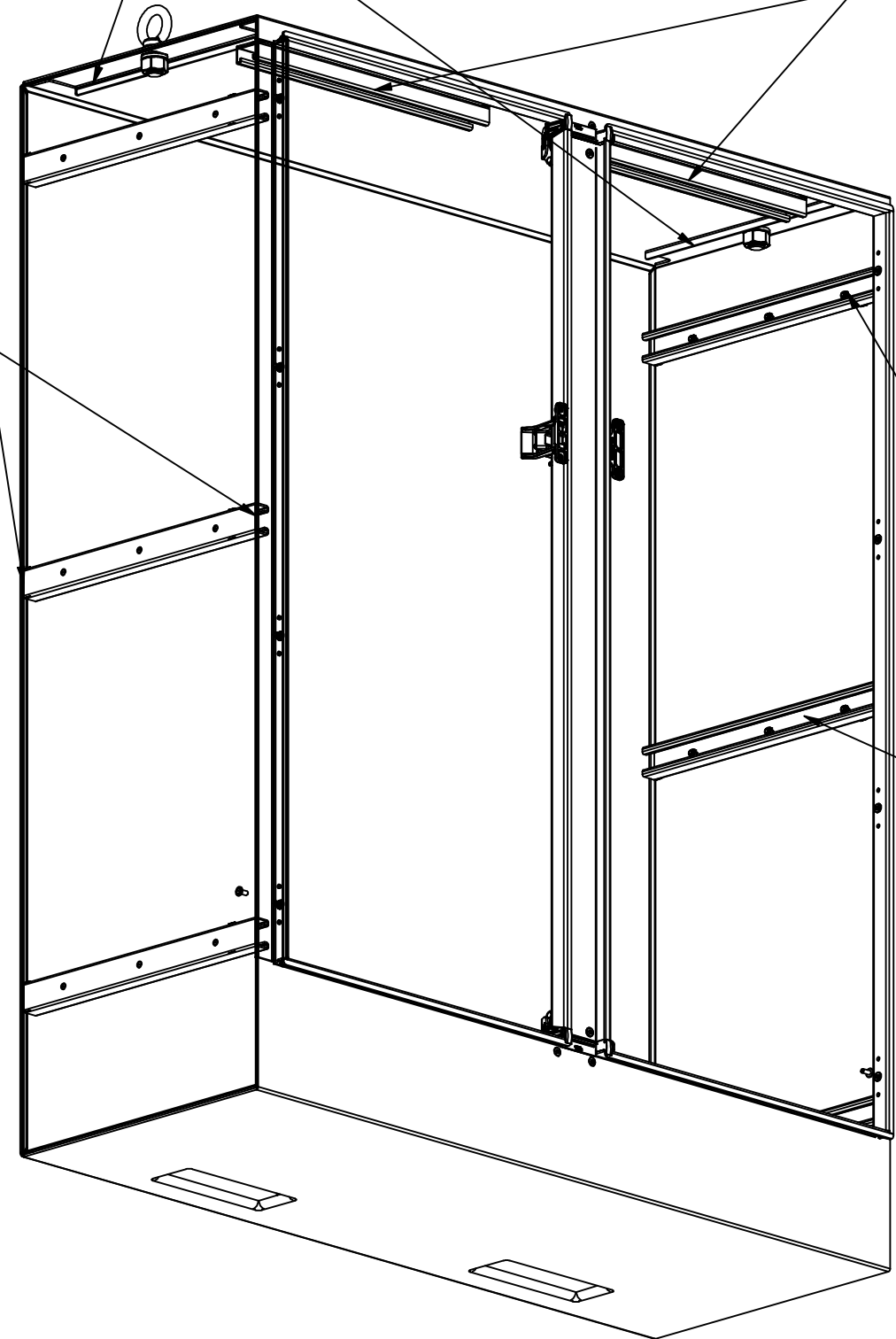
Lifting angles are the flanges of RS and LS top

Struts for light secured with stud only (No weld)

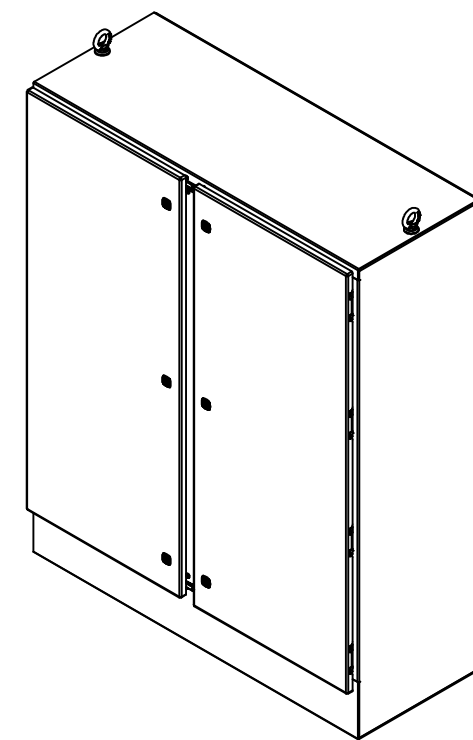
Weld inside of struts with the enclosure corner on both ends

Struts secured with M6 x 10mm studs
 No stud: C_Depth < 12"
 2 studs: 12" ≤ C_Depth < 18"
 3 studs: C_Depth ≥ 18"

Full depth struts length



No.	Revisions	Date	By



Isometric View



Tél: (450) 979-4373
 Fax: (450) 979-4626
www.exmweb.com

Flatness
 Aplatissement
 Max 3.0mm
 Projection

Customer Client	Date	
Drawn By / Dessiné Par: PatrickD	Date	3/9/2020
Material / Matière: N/A		
Color / Couleur: N/A	Finish / Fini: N/A	
Description: 9412SSDD Welding Detail	Detail Rev.	
Part Number / Numéro Pièce: 9412SSDD_WELDING_DETAIL	Rev. 0	1 / 1