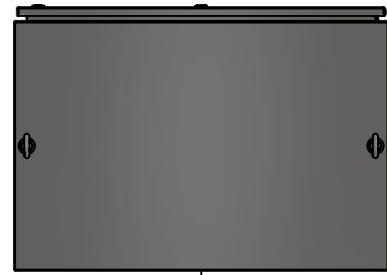
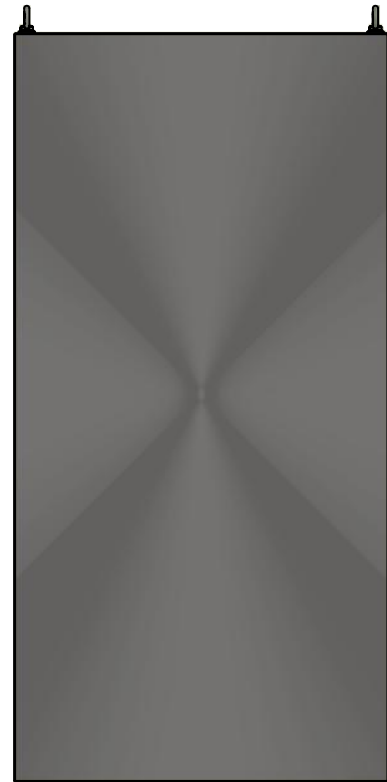


This drawing is confidential and must not be reproduced or used without the consent of EXM

Ce dessin est confidentiel et ne doit pas être reproduit ou utilisé sans le consentement de EXM



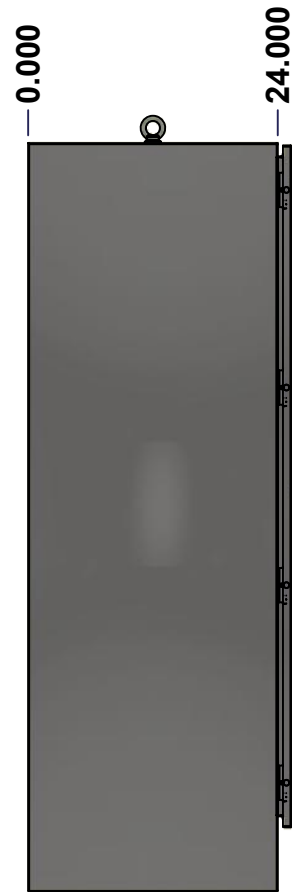
TOP



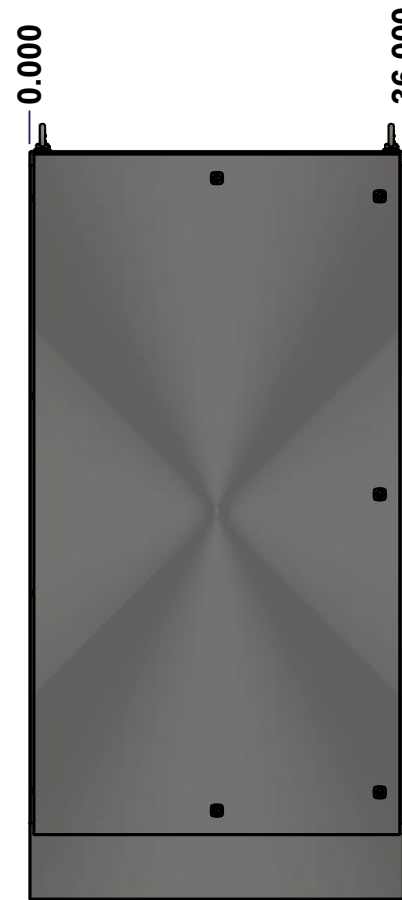
BACK



BOTTOM



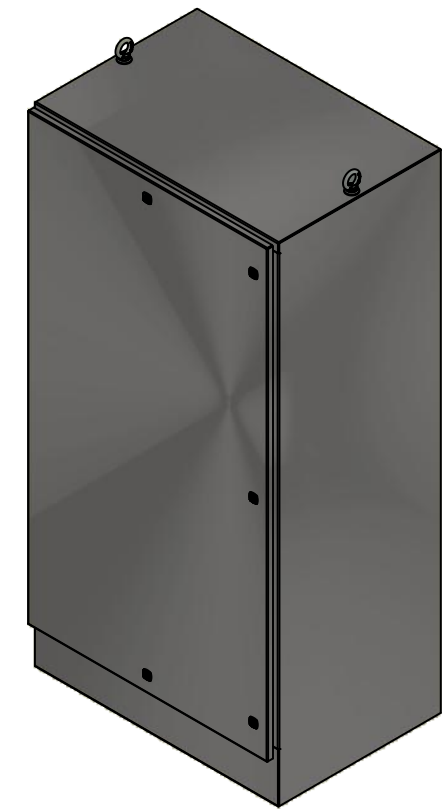
LEFT



FRONT




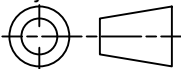
RIGHT



Isometric View



No.	Revisions	Date	By/Par
0.1	Chg hinges to 33012	2022/8/18	Arthur

 Tél: (450) 979-4373 Fax: (450) 979-4626 www.exmweb.com		Flatness Aplatissement Max 3.0mm Projection 
Customer Client	Date	Date
Drawn By Dessiné Par	BoxCad: Zin	Date 8/9/2022
Material Matière	12 Ga Stainless Steel 304 (2.5mm)	
Color Couleur	Unpainted	Finish Fini Brushed
Description	Detail Rev.	
9412SS 72" x 36" x 24" Assembly		
Part Number Numéro Pièce	Rev.	1
9412STSS723624	0	12

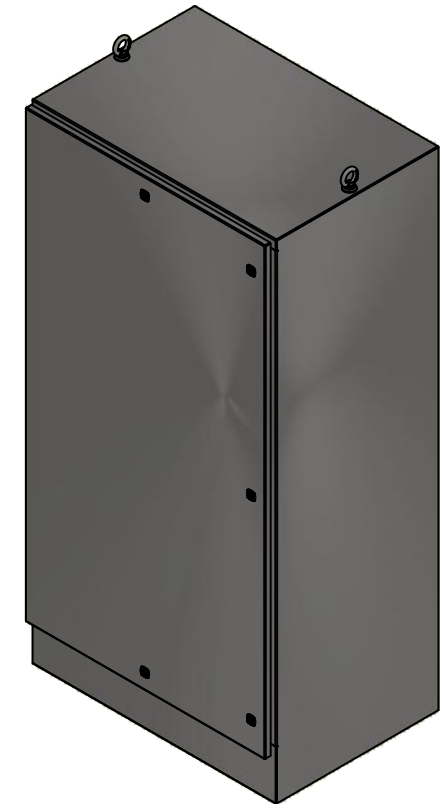
**GRAIN DIRECTION:
 TOP/BOTTOM: HORIZONTAL
 LEFT/RIGHT/BACK/FRONT: VERTICAL**

This drawing is confidential and must not be reproduced or used without the consent of EXM

Ce dessin est confidentiel et ne doit pas être reproduit ou utilisé sans le consentement de EXM

NOTE	
ITEM	DESCRIPTION
1	NEMA 4X Enclosure
2	C/W Standard ground studs on box and cover
3	W/O Standard door stiffener
4	W/O Inner panel
5	C/W Standard inner panel mounting studs
6	C/W Eyebolts
7	C/W Struts sold separately (Installed by EXM)

No.	Revisions	Date	By/Par
0.1	Chg hinges to 33012	2022/8/18	Arthur


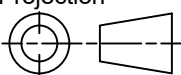


Isometric View



PACKING		
ITEM	QTY	DESCRIPTION
Cardboard sleeve	2	Top and Bottom
Cardboard strip	2	Between back of enclosure and inner panel
Plastic bag	1	To protect cover surface and inside gasket
Cardboard corner	4	To reinforced for the plastic strap tightening
Plastic strap - Black	2	To Squeeze 2 cardboard sleeve together
Packaging label	3	White label with PN
Plastic strap- Green	2	To secure the enclosure to the wood pallet
Wood Pallet	1	2" deeper and 3" larger than enclosure size

4	STK-Q-04051-08	1	M6 x 8.0mm Stainless Steel Hexagon Socket Head Machine Screw with Nyseal
1	9412STSS723624GP	0	9412SS Gland Plate
1	880EB14SS	2	Stainless Steel Eye Bolt M14 (Pack of 2)
1	9412STSS723624C	0	9412SS 72" x 36" Cover
1	9412STSS723624B	0	9412SS 72" x 36" x 24" Body
Qty	Part Number	Rev	Description
Parts List			

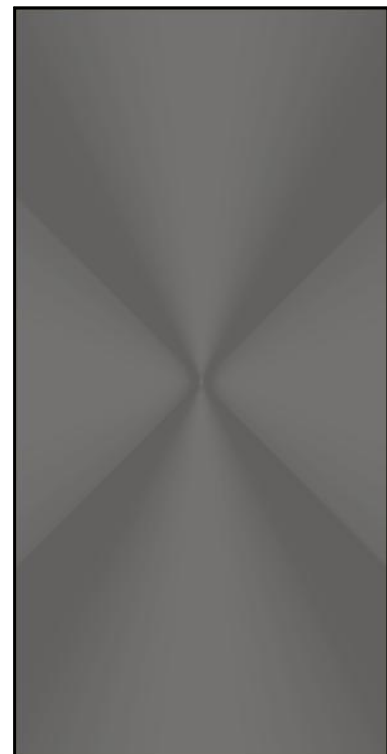
 Tél: (450) 979-4373 Fax: (450) 979-4626 www.exmweb.com		Flatness Aplatissement Max 3.0mm Projection 
Customer Client	Date	
Drawn By Dessiné Par	BoxCad: Zin	Date 8/9/2022
Material Matière	12 Ga Stainless Steel 304 (2.5mm)	
Color Couleur	Unpainted	Finish Fini Brushed
Description	Detail Rev.	
9412SS 72" x 36" x 24" Assembly		
Part Number Numéro Pièce	Rev.	2
9412STSS723624	0	12

This drawing is confidential and must not be reproduced or used without the consent of EXM

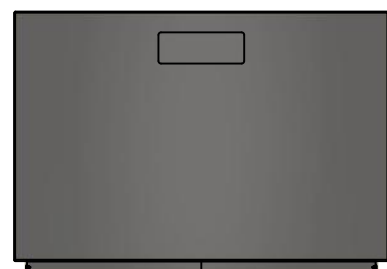
Ce dessin est confidentiel et ne doit pas être reproduit ou utilisé sans le consentement de EXM



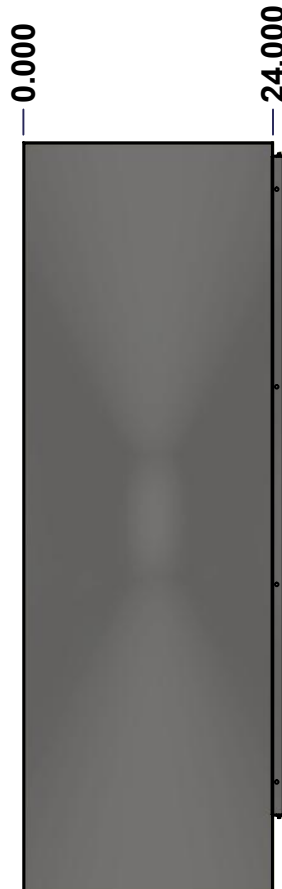
TOP



BACK



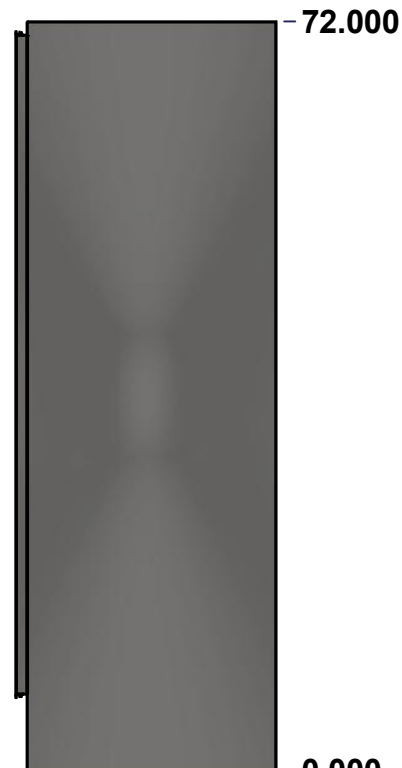
BOTTOM



LEFT



FRONT




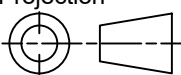
RIGHT



Isometric View



No.	Revisions	Date	By/Par
0.1	Chg hinges to 33012	2022/8/18	Arthur

 Tél: (450) 979-4373 Fax: (450) 979-4626 www.exmweb.com		Flatness Aplatissement Max 3.0mm Projection 
Customer Client	Date	
Drawn By Dessiné Par	BoxCad: Zin	Date 8/9/2022
Material Matière	12 Ga Stainless Steel 304 (2.5mm)	
Color Couleur	Unpainted	Finish Fini Brushed
Description 9412SS 72" x 36" x 24" Body		Detail Rev.
Part Number Numéro Pièce	Rev. 0	3 12

9412STSS723624B

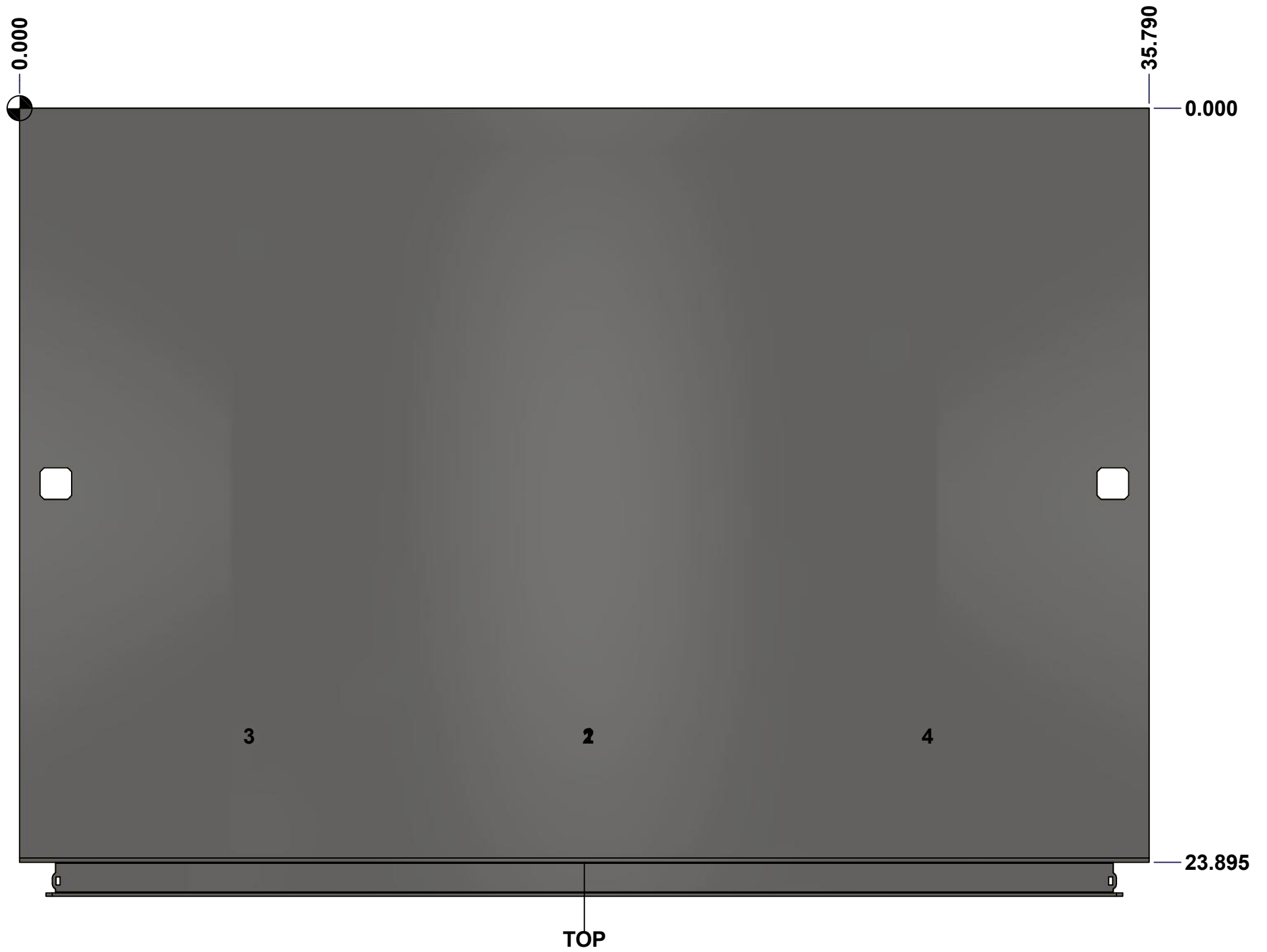
This drawing is confidential and must not be reproduced or used without the consent of EXM

Ce dessin est confidentiel et ne doit pas être reproduit ou utilisé sans le consentement de EXM

STANDARD FEATURES ARE NOT LISTED IN THIS HOLE TABLE

HOLE TABLE - TOP VIEW (CUSTOM FEATURE ONLY)

CUT-OUT	XDIM	YDIM	DESCRIPTION
1	17.895	19.895	Struts CR400 27.500" (Inside)
2	17.895	19.895	STUDS M6 x 10mm (Inside)
3	7.145	19.895	STUDS M6 x 10mm (Inside)
4	28.645	19.895	STUDS M6 x 10mm (Inside)

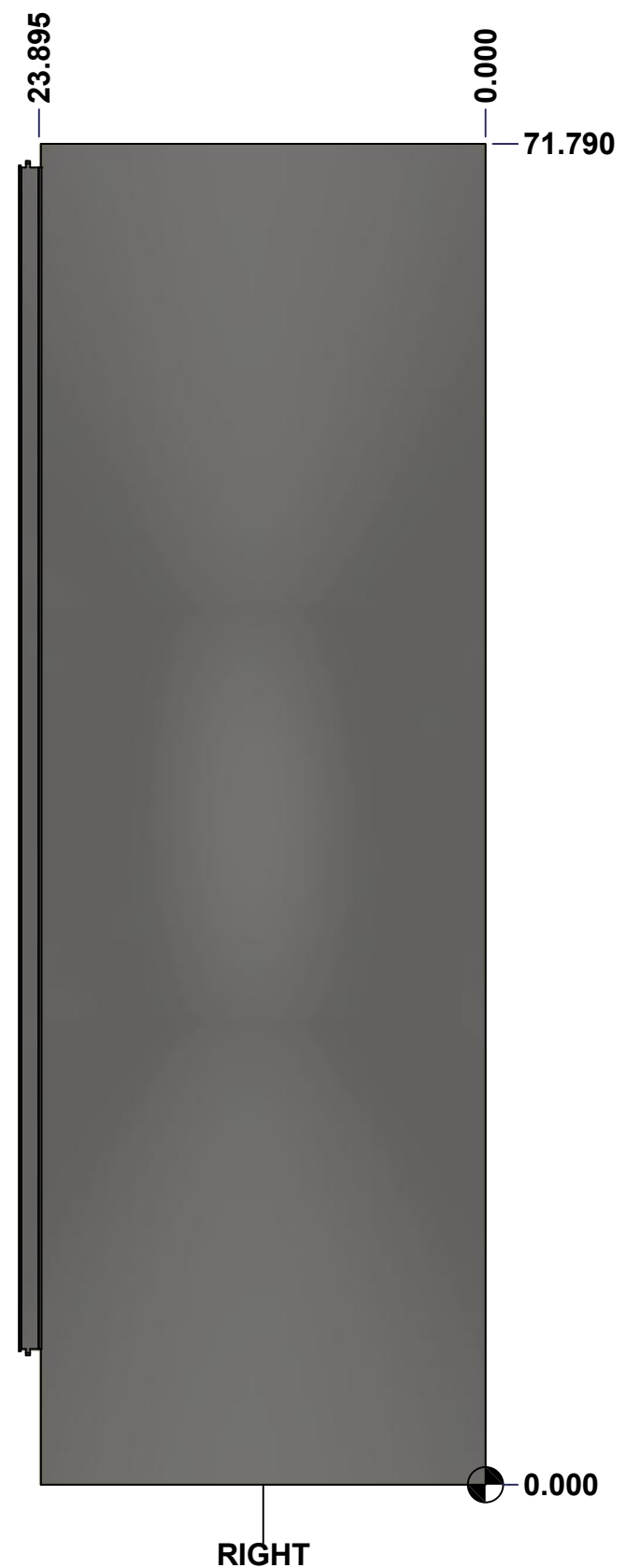


	Description	Status
	9412SS 72" x 36" x 24" Body	(NULL)
Part Number Numéro Pièce 9412STSS723624B	Rev.	4
	0	12

This drawing is confidential and must not be reproduced or used without the consent of EXM

Ce dessin est confidentiel et ne doit pas être reproduit ou utilisé sans le consentement de EXM

STANDARD FEATURES ARE NOT LISTED IN THIS HOLE TABLE

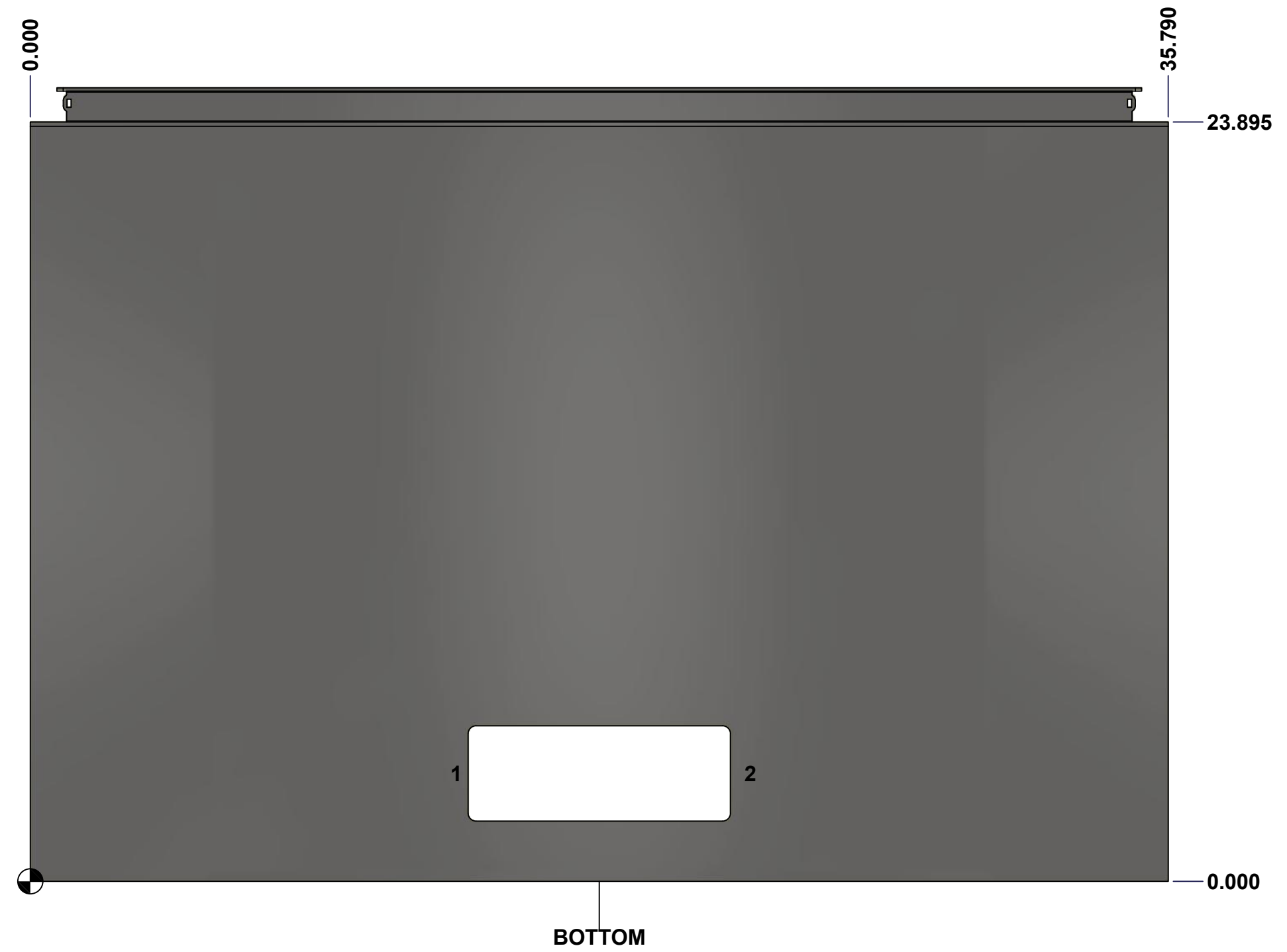


	Description		Status
	9412SS 72" x 36" x 24" Body		(NULL)
Part Number Numéro Pièce		Rev.	5
9412STSS723624B		0	12

This drawing is confidential and must not be reproduced or used without the consent of EXM

Ce dessin est confidentiel et ne doit pas être reproduit ou utilisé sans le consentement de EXM

STANDARD FEATURES ARE NOT LISTED IN THIS HOLE TABLE			
HOLE TABLE - BOTTOM VIEW (CUSTOM FEATURE ONLY)			
CUT-OUT	XDIM	YDIM	DESCRIPTION
1	13.270	3.395	GP STUD M6 x 16mm (Inside)
2	22.520	3.395	GP STUD M6 x 16mm (Inside)



	Description	Status
	9412SS 72" x 36" x 24" Body	(NULL)
	Part Number Numéro Pièce	Rev.
	9412STSS723624B	0 / 6
		12

This drawing is confidential and must not be reproduced or used without the consent of EXM

Ce dessin est confidentiel et ne doit pas être reproduit ou utilisé sans le consentement de EXM

STANDARD FEATURES ARE NOT LISTED IN THIS HOLE TABLE

HOLE TABLE - LEFT VIEW (CUSTOM FEATURE ONLY)

CUT-OUT	XDIM	YDIM	DESCRIPTION
1	22.395	9.270	GND STUD M6 x 16mm (Inside)



	Description	Status
	9412SS 72" x 36" x 24" Body	(NULL)
Part Number Numéro Pièce 9412STSS723624B	Rev.	7
	0	12

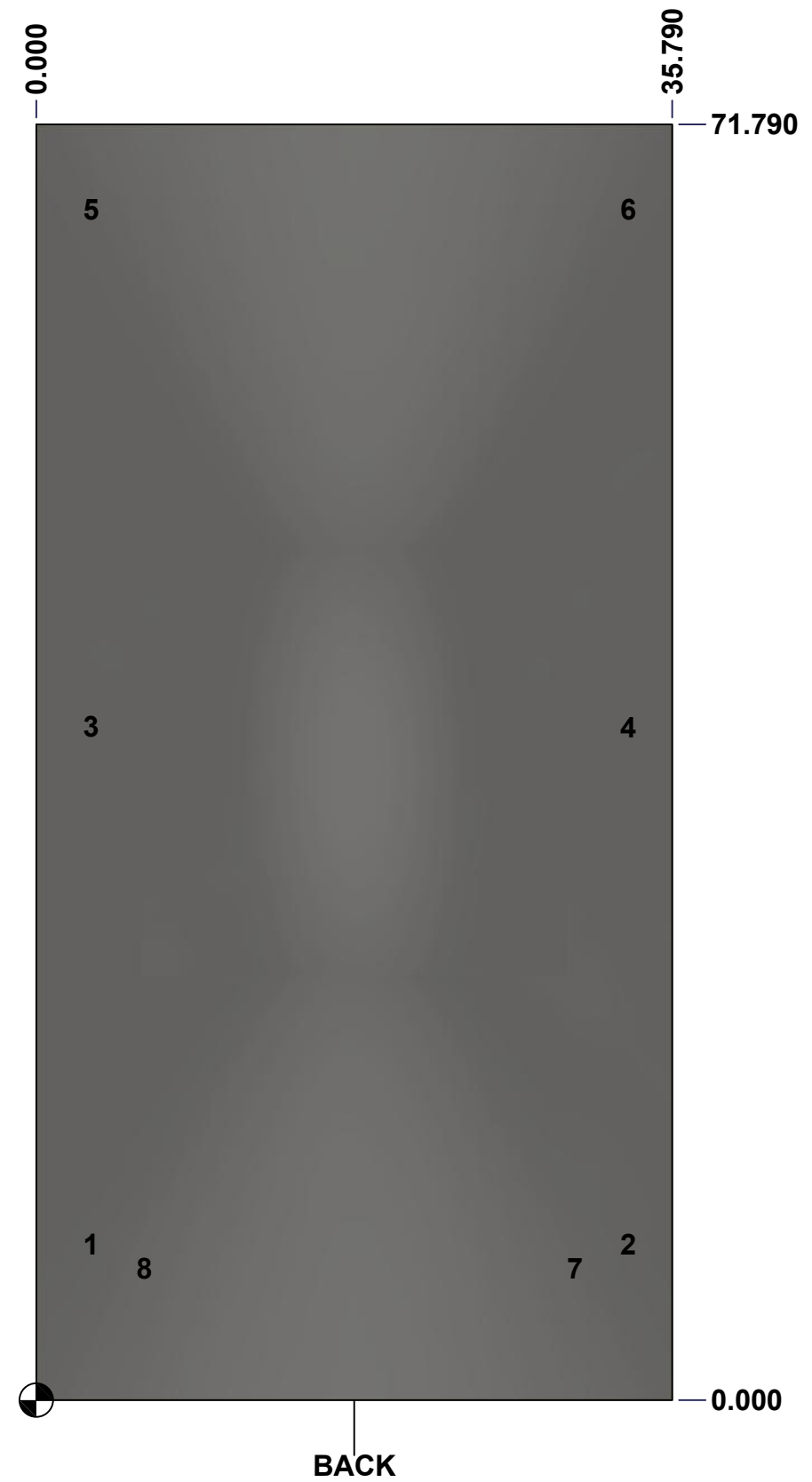
This drawing is confidential and must not be reproduced or used without the consent of EXM

Ce dessin est confidentiel et ne doit pas être reproduit ou utilisé sans le consentement de EXM

STANDARD FEATURES ARE NOT LISTED IN THIS HOLE TABLE

HOLE TABLE - BACK VIEW (CUSTOM FEATURE ONLY)

CUT-OUT	XDIM	YDIM	DESCRIPTION
1	2.770	8.770	IP STUD M10 x 40mm (Inside)
2	33.020	8.770	IP STUD M10 x 40mm (Inside)
3	2.770	37.895	IP STUD M10 x 40mm (Inside)
4	33.020	37.895	IP STUD M10 x 40mm (Inside)
5	2.770	67.020	IP STUD M10 x 40mm (Inside)
6	33.020	67.020	IP STUD M10 x 40mm (Inside)
-----	-----	-----	-----
7	30.020	7.395	IP SUPPORT ANGLE (Inside)
8	5.770	7.395	IP SUPPORT ANGLE (Inside)

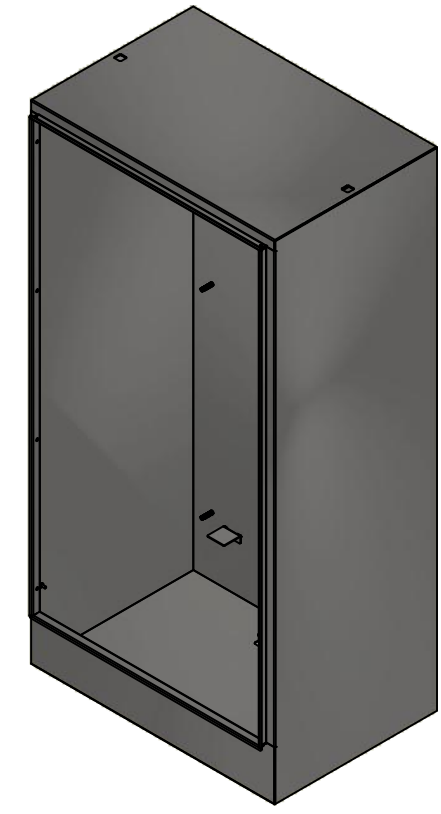


	Description	Status
	9412SS 72" x 36" x 24" Body	(NULL)
Part Number Numéro Pièce 9412STSS723624B	Rev.	8
	0	12

This drawing is confidential and must not be reproduced or used without the consent of EXM

Ce dessin est confidentiel et ne doit pas être reproduit ou utilisé sans le consentement de EXM

No.	Revisions	Date	By/Par
0.1	Chg hinges to 33012	2022/8/18	Arthur



Isometric View

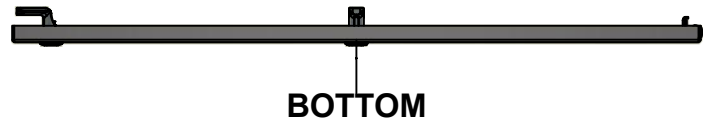
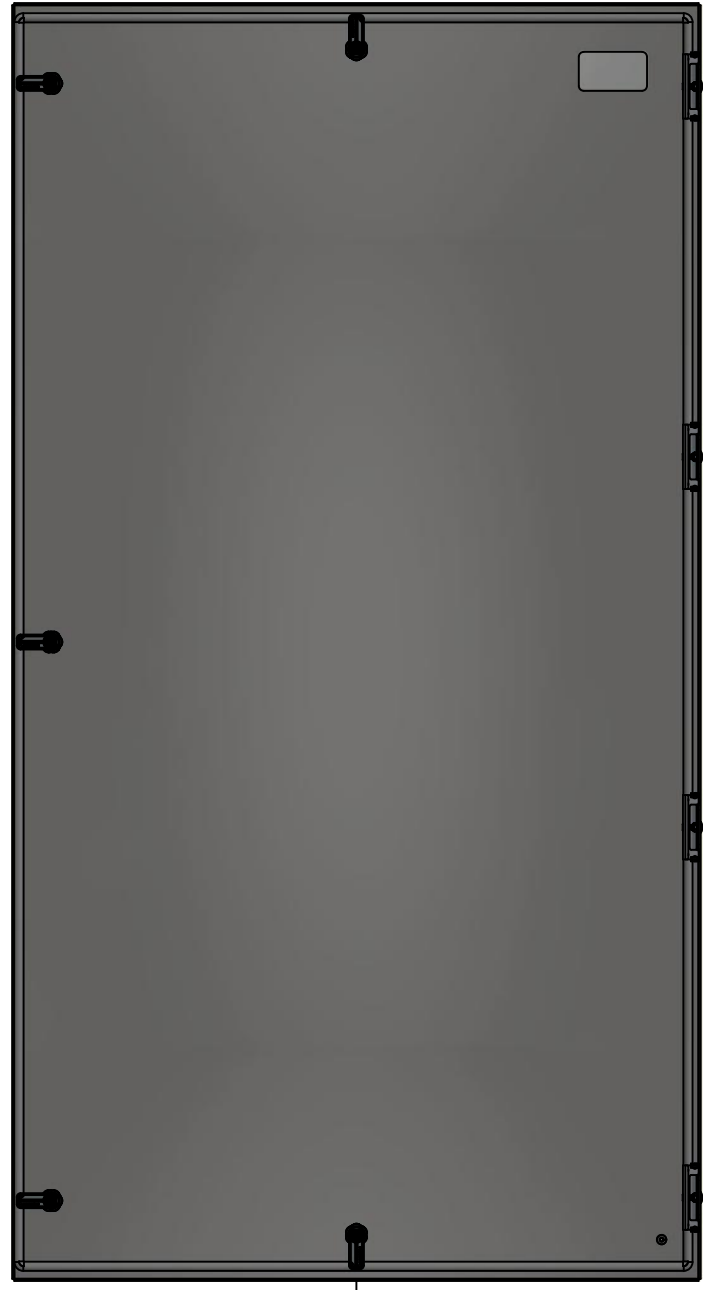
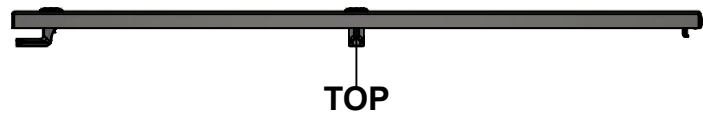


Qty	Part Number	Rev	Description
3	STK-Q-16040	0	Stud M6 x 10mm Stainless Steel
1	STK-Q-16085	0	Ground Stud M6 x 16mm Stainless Steel
2	9412STSS723624BPA-P	0	9412SS Inner Panel Support Angle
3	STK-Q-07220	1	M6 Nylon Insert Lock Nut
1	CR400SS_27.5	0	Commercial Roll Stainless Steel (27.5in long)
2	STK-Q-74915	0	Stainless Steel 304 Eyebolt Lifting Angle (15.500")
2	STK-Q-16095	0	M6 x 16mm Stainless Steel Ground Stud
6	STK-Q-16120	0	Stud M10 x 40mm Stainless Steel
1	9412STSS723624BT-P	0	9412SS 36" x 24" Bottom Part
1	9412STSS723624T-P	0	9412SS 36" x 24" Top Part
1	9412STSS723624RS-P	0	9412SS 72" x 36" Right Part
1	9412STSS723624LS-P	0	9412SS 72" x 36" Left Part
1	9412STSS723624B-P	0	9412SS 72" x 36" Back Part
Parts List			

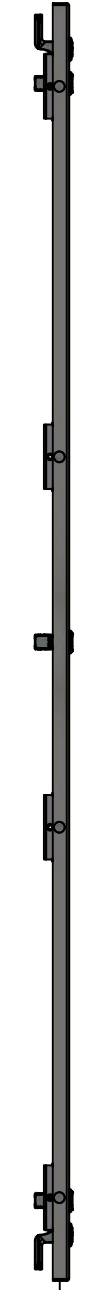
<p>Tél: (450) 979-4373 Fax: (450) 979-4626 www.exmweb.com</p>		Flatness / Aplatissement	
		Max 3.0mm	
Customer / Client		Date	
Drawn By / Dessiné Par: BoxCad: Zin		Date: 8/9/2022	
Material / Matière: 12 Ga Stainless Steel 304 (2.5mm)		Projection	
Color / Couleur: Unpainted		Finish / Fini: Brushed	
Description: 9412SS 72" x 36" x 24" Body			Detail Rev.
Part Number / Numéro Pièce: 9412STSS723624B		Rev.:	9 / 12

This drawing is confidential and must not be reproduced or used without the consent of EXM

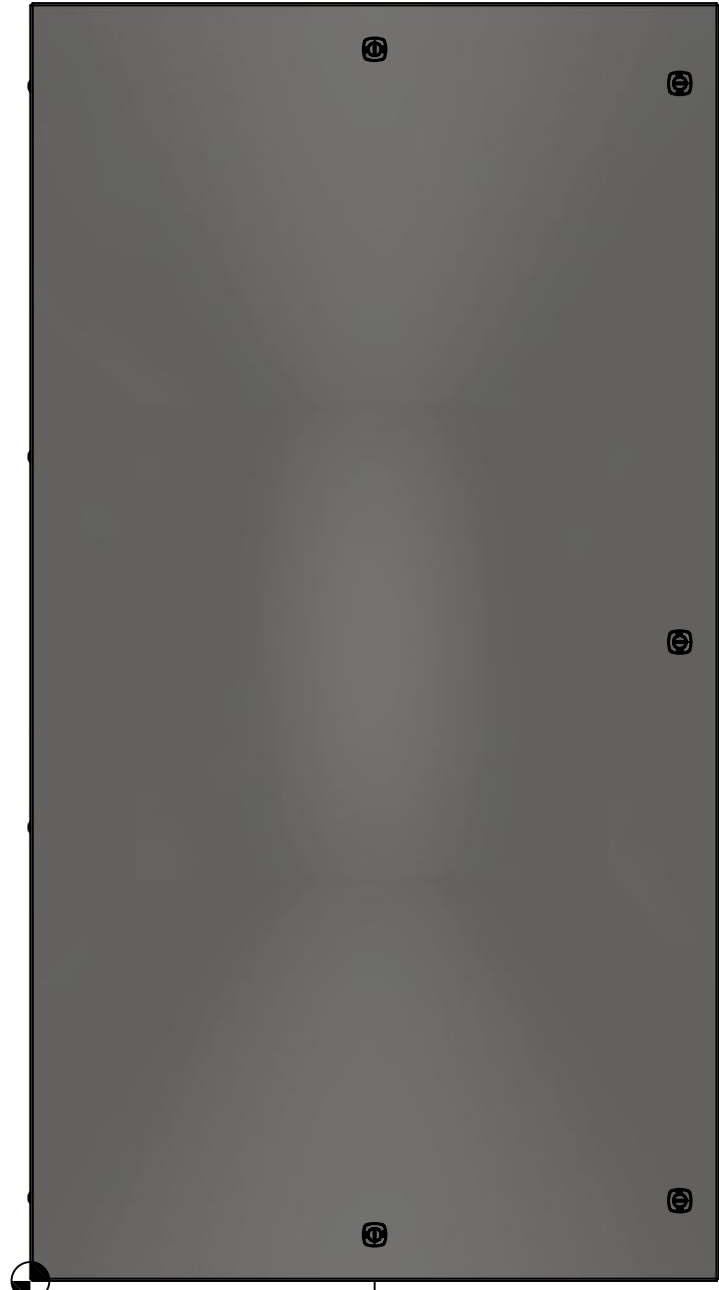
Ce dessin est confidentiel et ne doit pas être reproduit ou utilisé sans le consentement de EXM



0.835
0.000

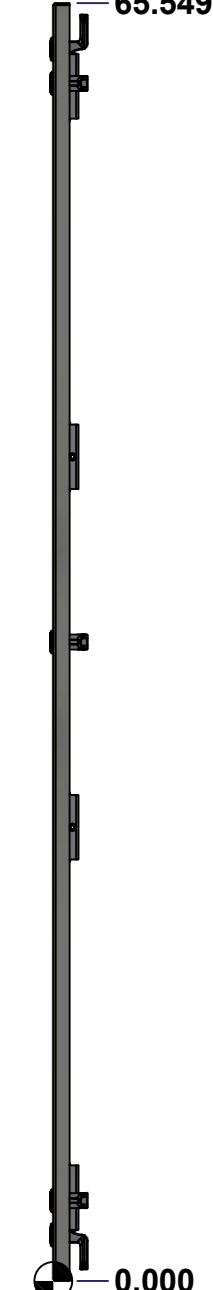


0.000



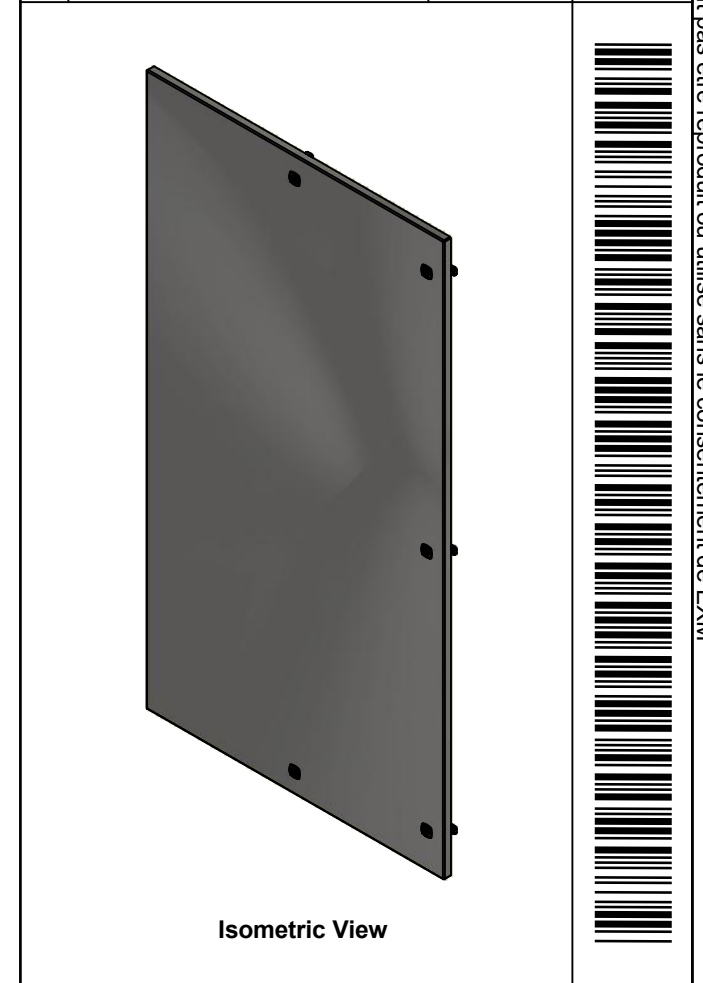
35.312

65.549



0.000

No.	Revisions	Date	By/Par
0.1	Chg hinges to 33012	2022/8/18	Arthur



Tél: (450) 979-4373 Fax: (450) 979-4626 www.exmweb.com		Flatness Aplatissement Max 3.0mm Projection
Customer Client	Date	
Drawn By Dessiné Par	BoxCad: Zin	Date 8/9/2022
Material Matière	12 Ga Stainless Steel 304 (2.5mm)	
Color Couleur	Unpainted	Finish Fini Brushed
Description	Detail Rev.	
9412SS 72" x 36" Cover		
Part Number Numéro Pièce	Rev.	10
9412STSS723624C	0	12

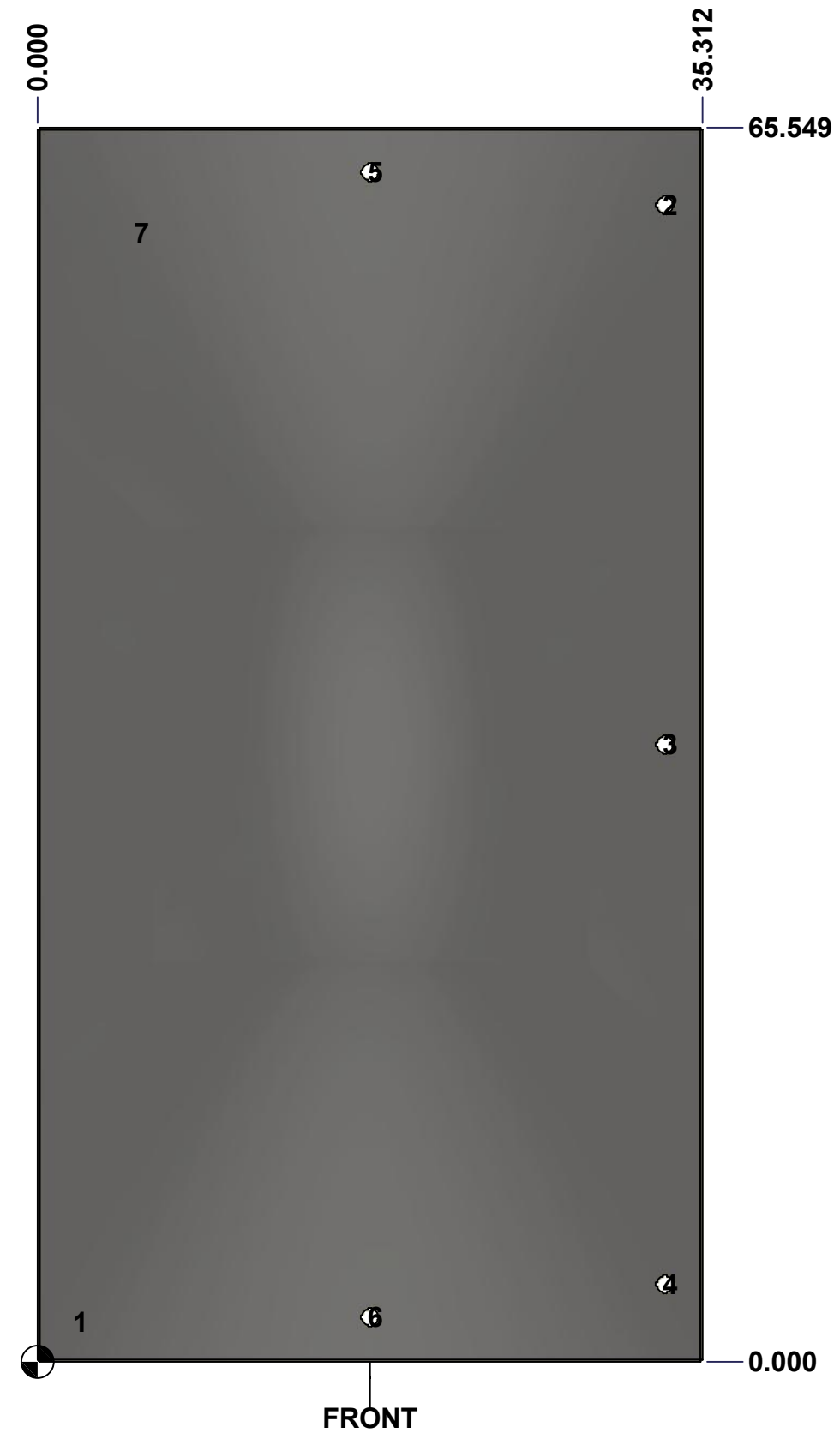
This drawing is confidential and must not be reproduced or used without the consent of EXM

Ce dessin est confidentiel et ne doit pas être reproduit ou utilisé sans le consentement de EXM

STANDARD FEATURES ARE NOT LISTED IN THIS HOLE TABLE

HOLE TABLE - FRONT VIEW (CUSTOM FEATURE ONLY)

CUT-OUT	XDIM	YDIM	DESCRIPTION
1	2.000	2.118	GND STUD M6 x 16mm (Inside)
2	33.312	61.430	LOCK 889 SCQ4-SLSS6 @ 0.0°
3	33.312	32.774	LOCK 889 SCQ4-SLSS6 @ 0.0°
4	33.312	4.118	LOCK 889 SCQ4-SLSS6 @ 0.0°
5	17.656	63.180	LOCK 889 SCQ4-SLSS6 @ 90.0°
6	17.656	2.368	LOCK 889 SCQ4-SLSS6 @ 270.0°
7	4.500	62.049	LABEL_EXM (Inside)



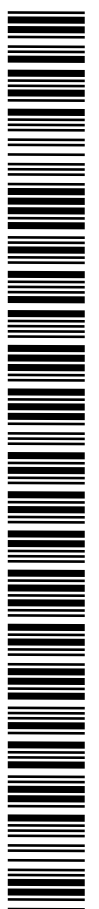
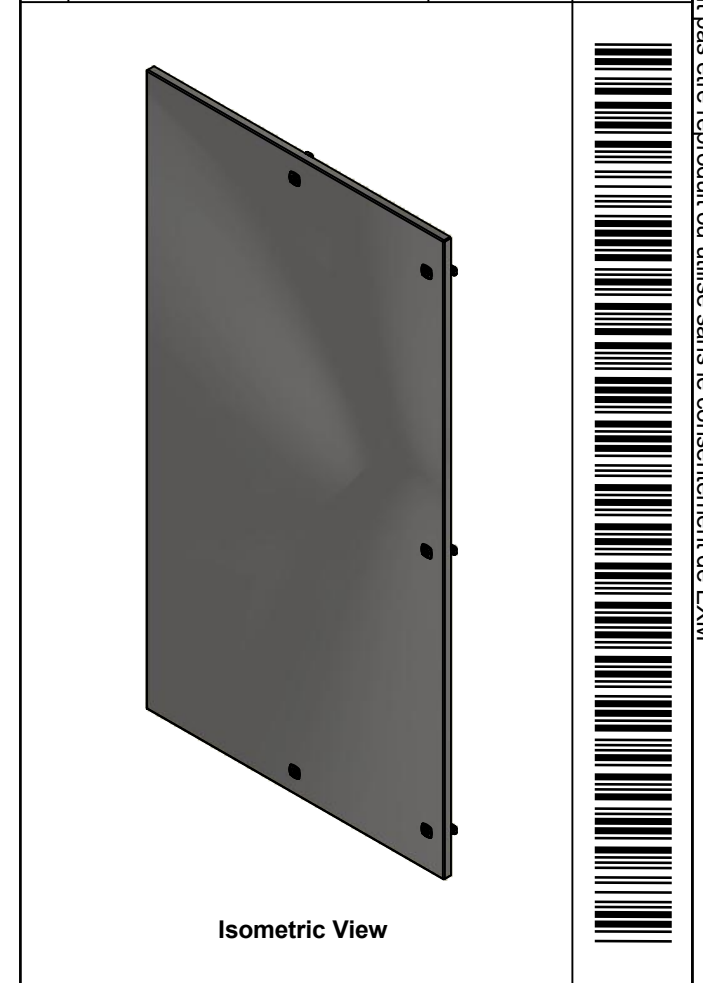
FRONT


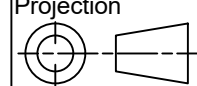
	Description	Status
	9412SS 72" x 36" Cover	(NULL)
	Part Number Numéro Pièce	Rev.
	9412STSS723624C	0
		11
		12

This drawing is confidential and must not be reproduced or used without the consent of EXM

Ce dessin est confidentiel et ne doit pas être reproduit ou utilisé sans le consentement de EXM

No.	Revisions	Date	By/Par
0.1	Chg hinges to 33012	2022/8/18	Arthur



 Tél: (450) 979-4373 Fax: (450) 979-4626 www.exmweb.com		Flatness Aplatissement Max 3.0mm
Customer Client		Projection 
Drawn By Dessiné Par BoxCad: Zin		Date 8/9/2022
Material Matière 12 Ga Stainless Steel 304 (2.5mm)		
Color Couleur Unpainted	Finish Fini Brushed	
Description 9412SS 72" x 36" Cover		Detail Rev.
Part Number Numéro Pièce 9412STSS723624C		Rev. 12 0

4	STK-Q-00265	1	M6 x 13mm Stainless Steel 316 Carriage Bolt
4	STK-Q-07225	0	M6 Stainless Steel Nylon Insert Lock Nut
4	STK-A-33012	3	5500 SSDD - Stainless Steel Sheet Metal Hinge Assembly
1	9412STSS723624G	0	9412SS 72" x 36" Cover Gasket
1	STK-Q-16085	0	Ground Stud M6 x 16mm Stainless Steel
1	STK-S-00100	0	3.5" x 2" Silver Milar Flexcon Sticker
1	9412STSS723624C-P	0	9412SS 72" x 36" Cover Part
5	889 SCQ4-SLSS6	0	9412 SS 1/4 Turn Lock
Qty	Part Name	Rev	Description
Parts List			