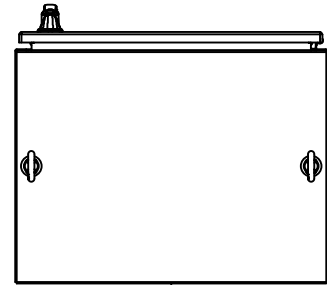
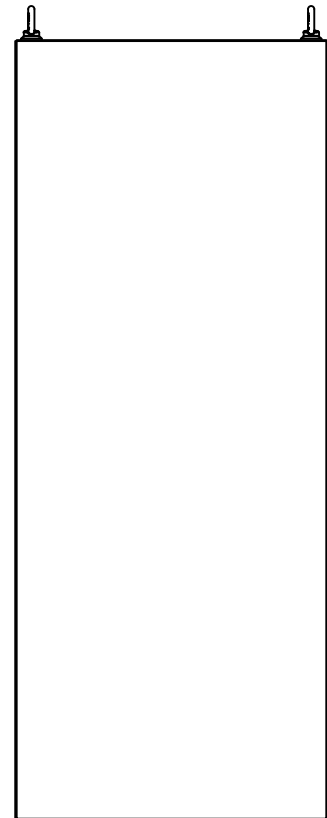


This drawing is confidential and must not be reproduced or used without the consent of EXM

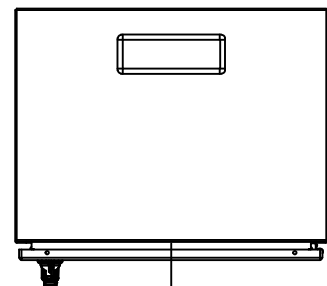
Ce dessin est confidentiel et ne doit pas être reproduit ou utilisé sans le consentement de EXM



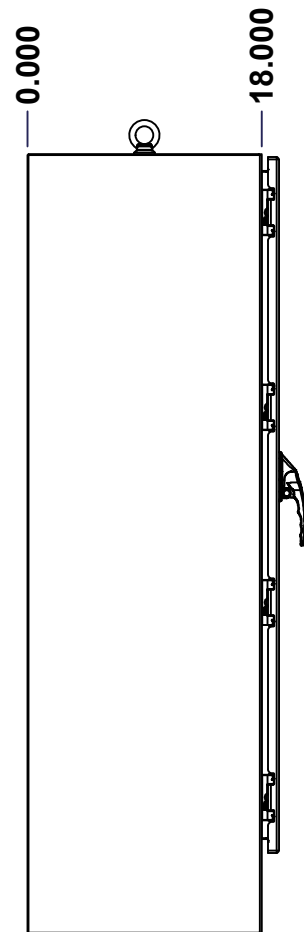
TOP



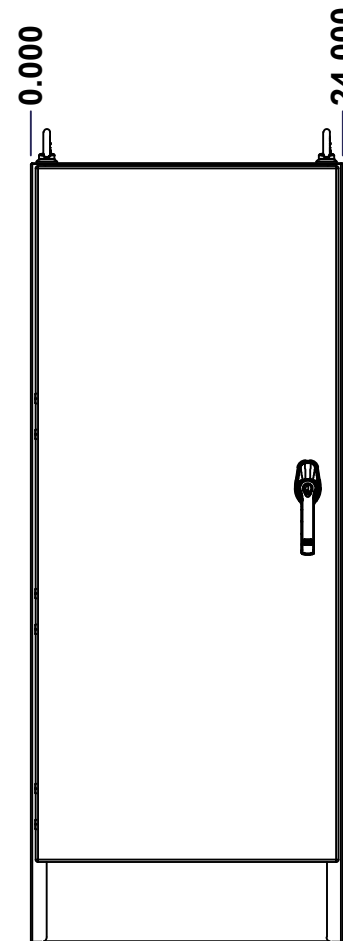
BACK



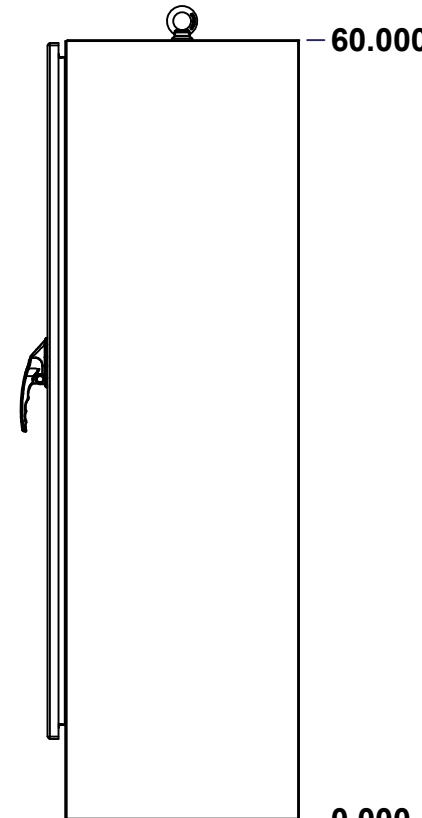
BOTTOM



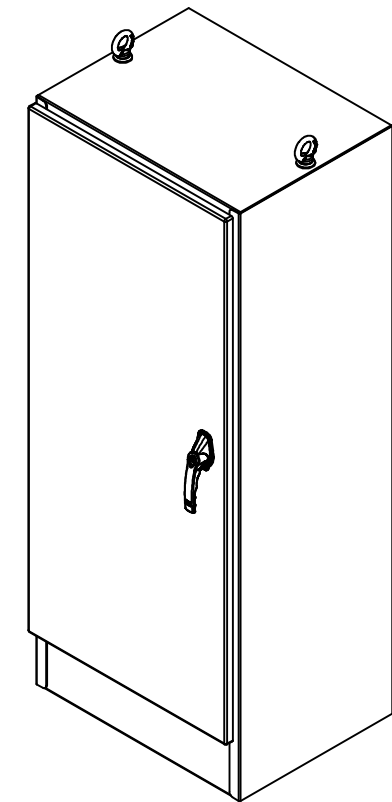
LEFT



FRONT




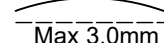
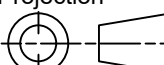
RIGHT



Isometric View



No.	Revisions	Date	By/Par

 Tél: (450) 979-4373 Fax: (450) 979-4626 <a href="http://www.exmweb.com">www.exmweb.com</a>		Flatness Aplatissement  Max 3.0mm Projection 
Customer Client	Date	
Drawn By Dessiné Par	BoxCad: BoxCad	Date 25-Aug-11
Material Matière	12 Ga Cold Rolled A1008 CS Type B (2.5mm)	
Color Couleur	Asa-61 Grey	Finish Fini Smooth
Description	Detail Rev.	
9500 60" x 24" x 18" Assembly		
Part Number Numéro Pièce	Rev.	1
9500602418	0	12

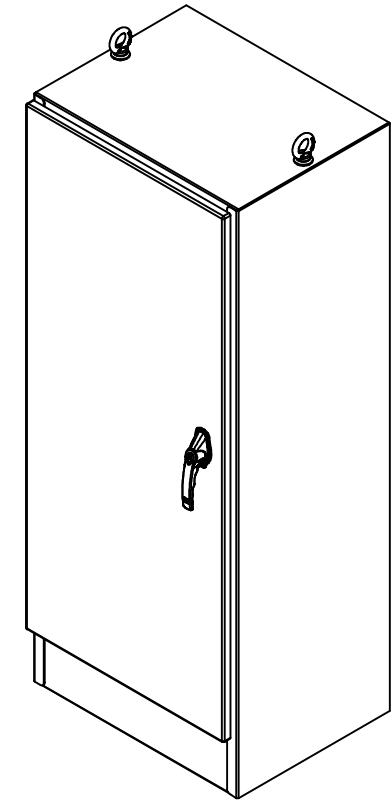
SEE BILL OF MATERIAL ON LAST PAGE

This drawing is confidential and must not be reproduced or used without the consent of EXM

Ce dessin est confidentiel et ne doit pas être reproduit ou utilisé sans le consentement de EXM

NOTE	
ITEM	DESCRIPTION
1	NEMA 12/13 Enclosure
2	C/W Standard ground studs on box and cover
3	C/W Standard door stiffener
4	W/O Inner panel
5	C/W Standard inner panel mounting struts
6	C/W Eyebolts
7	C/W Struts installed (Included)


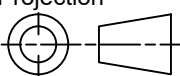
No.	Revisions	Date	By/Par



Isometric View

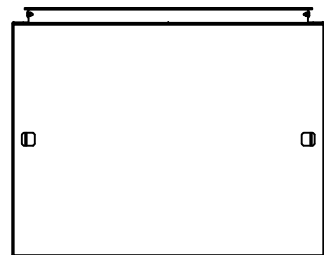
PACKING		
ITEM	QTY	DESCRIPTION
Cardboard sleeve	2	Top and Bottom
Cardboard strip	2	Between back of enclosure and inner panel
Plastic bag	1	To protect cover surface and inside gasket
Cardboard corner	4	To reinforced for the plastic strap tightening
Plastic strap - Black	2	To Squeeze 2 cardboard sleeve together
Packaging label	3	White label with PN
Plastic strap- Green	2	To secure the enclosure to the wood pallet
Wood Pallet	1	2" deeper and 3" larger than enclosure size

Qty	Part Number	Rev	Description
1	9500602418GP	0	9500 Gland Plate
1	880EB14	2	Eye Bolt M14 (Pack of 2)
1	9500602418C	0	9500 60" x 24" Cover
1	9500602418B	0	9500 60" x 24" x 18" Body
4	STK-Q-04050-10	8	M6 x 10mm Hexagon Socket Head Machine Screw with Nyseal
Parts List			

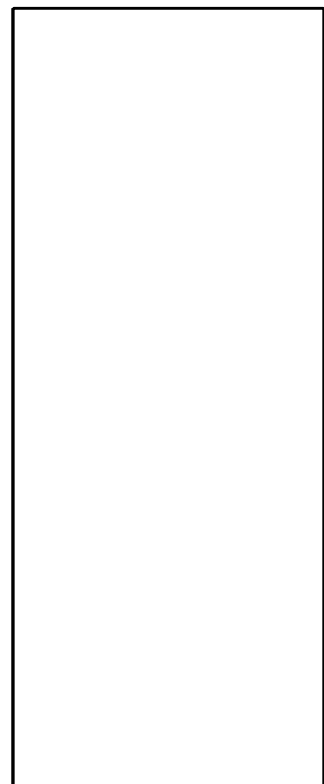
 Tél: (450) 979-4373 Fax: (450) 979-4626 <a href="http://www.exmweb.com">www.exmweb.com</a>		Flatness Aplatissement Max 3.0mm Projection 
Customer Client	Date	
Drawn By Dessiné Par	BoxCad: BoxCad	Date 25-Aug-11
Material Matière	12 Ga Cold Rolled A1008 CS Type B (2.5mm)	
Color Couleur	Asa-61 Grey	Finish Fini Smooth
Description	Detail Rev.	
9500 60" x 24" x 18" Assembly		
Part Number Numéro Pièce	Rev.	2
<b>9500602418</b>	<b>0</b>	12

This drawing is confidential and must not be reproduced or used without the consent of EXM

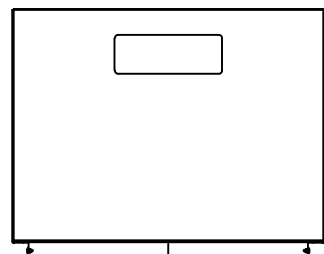
Ce dessin est confidentiel et ne doit pas être reproduit ou utilisé sans le consentement de EXM



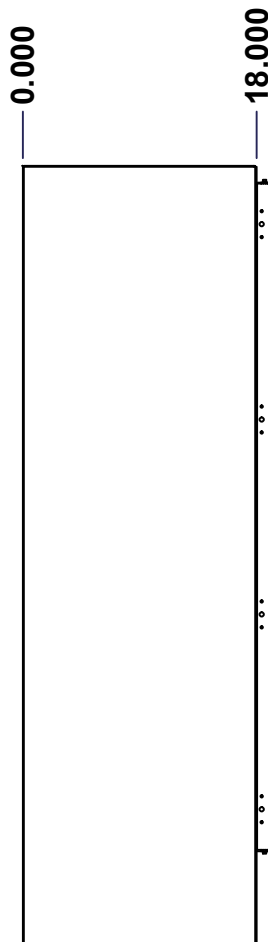
TOP



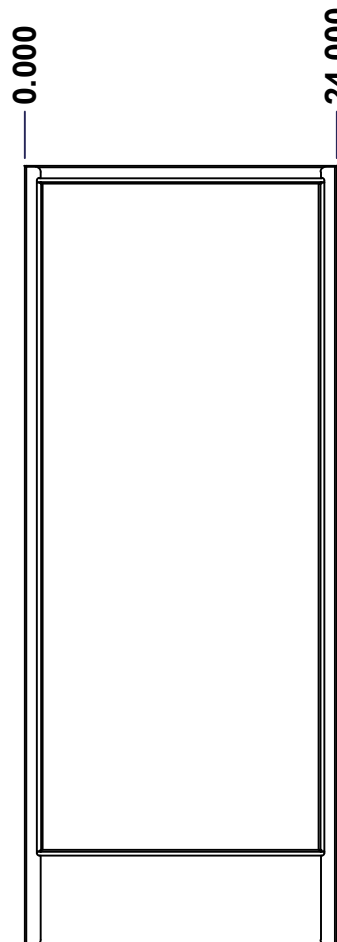
BACK



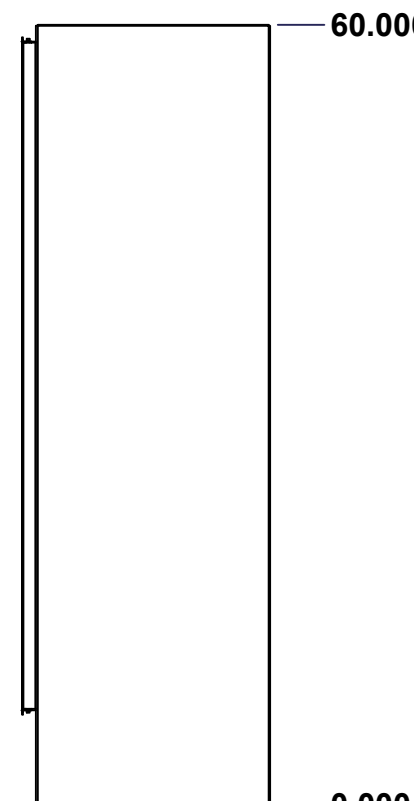
BOTTOM



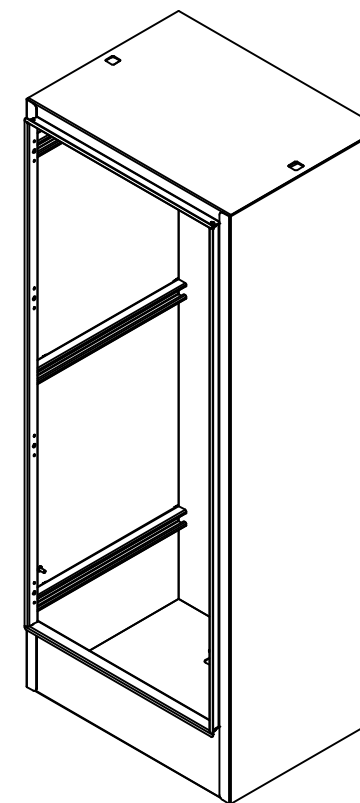
LEFT



FRONT



RIGHT



Isometric View



No.	Revisions	Date	By/Par


 Tél: (450) 979-4373  
 Fax: (450) 979-4626  
[www.exmweb.com](http://www.exmweb.com)

Flatness  
 Aplatissement  
 Max 3.0mm  
 Projection  


Customer Client	Date
Drawn By Dessiné Par	Date 25-Aug-11

Material Matière 12 Ga Cold Rolled A1008 CS Type B (2.5mm)

Color Couleur	Asa-61 Grey	Finish Fini	Smooth
---------------	-------------	-------------	--------

Description	Detail Rev.
9500 60" x 24" x 18" Body	

Part Number Numéro Pièce	Rev.	3
<b>9500602418B</b>	<b>0</b>	12

SEE BILL OF MATERIAL ON LAST PAGE

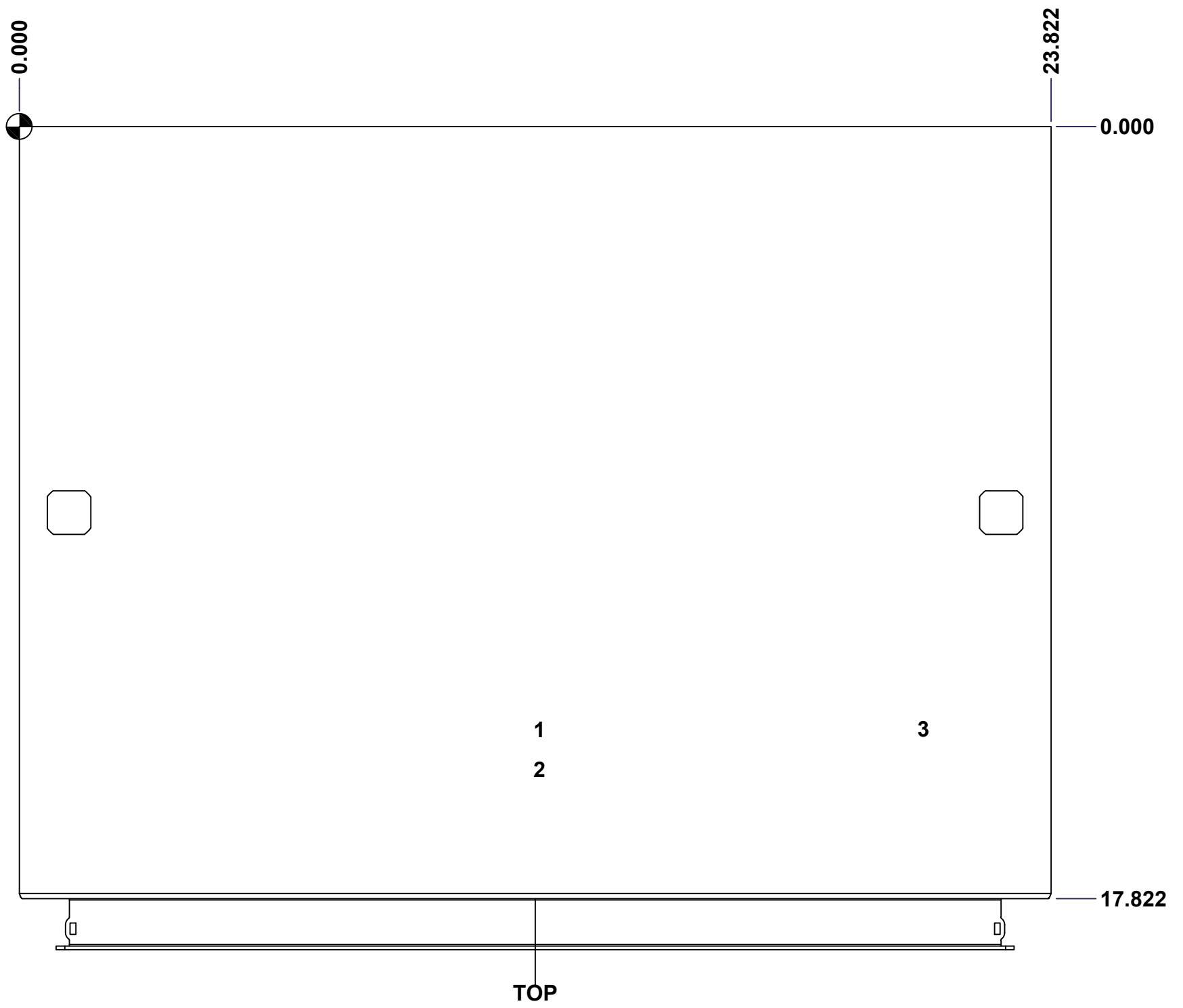
This drawing is confidential and must not be reproduced or used without the consent of EXM

Ce dessin est confidentiel et ne doit pas être reproduit ou utilisé sans le consentement de EXM

**STANDARD FEATURES ARE NOT LISTED IN THIS HOLE TABLE**

**HOLE TABLE - TOP VIEW (CUSTOM FEATURE ONLY)**

CUT-OUT	XDIM	YDIM	DESCRIPTION
1	11.911	13.911	Struts CR400 17.500" (Inside)
2	11.911	14.840	STUDS M6 x 10mm (Inside)
3	20.777	13.911	STUDS M6 x 10mm (Inside)



	Description	Status	
	9500 60" x 24" x 18" Body	(NULL)	
	Part Number Numéro Pièce	Rev.	4
	<b>9500602418B</b>	<b>0</b>	12

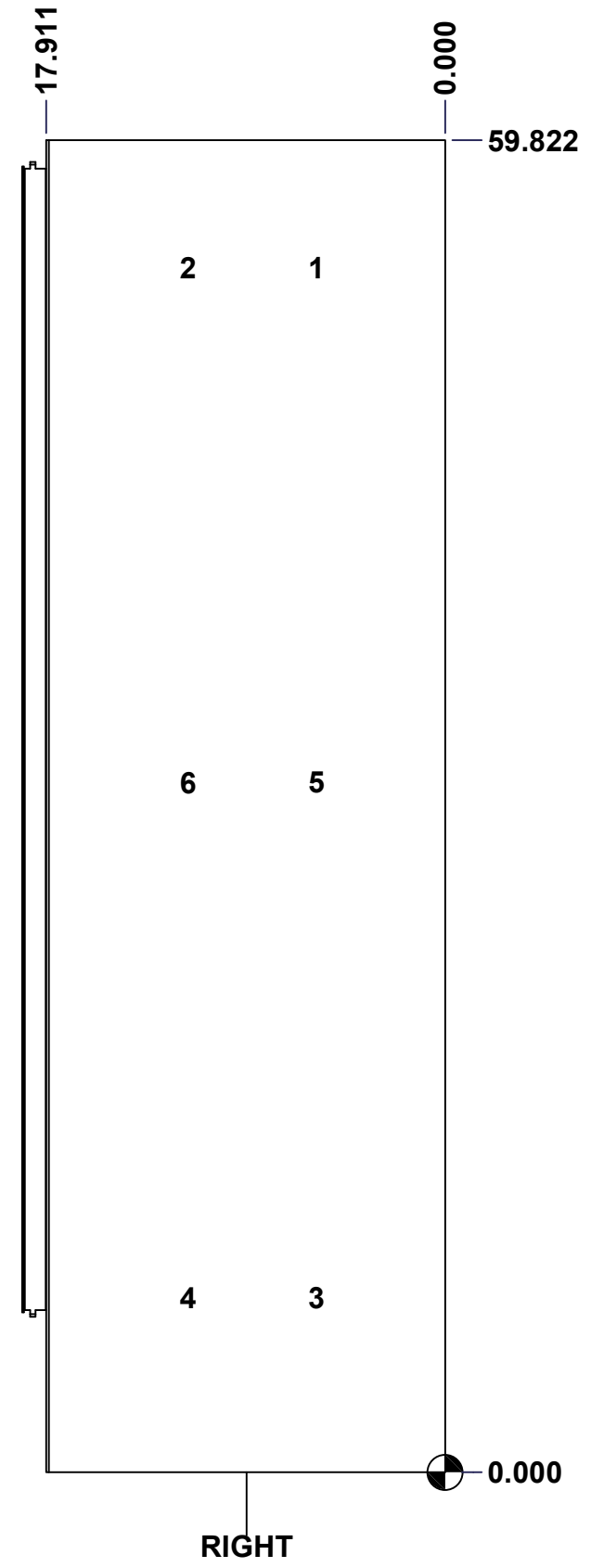
This drawing is confidential and must not be reproduced or used without the consent of EXM

Ce dessin est confidentiel et ne doit pas être reproduit ou utilisé sans le consentement de EXM

**STANDARD FEATURES ARE NOT LISTED IN THIS HOLE TABLE**

**HOLE TABLE - RIGHT VIEW (CUSTOM FEATURE ONLY)**

CUT-OUT	XDIM	YDIM	DESCRIPTION
1	6.036	54.107	STUDS M6 x 10mm (Inside)
2	11.786	54.107	STUDS M6 x 10mm (Inside)
3	6.036	7.857	STUDS M6 x 10mm (Inside)
4	11.786	7.857	STUDS M6 x 10mm (Inside)
5	6.036	30.982	STUDS M6 x 10mm (Inside)
6	11.786	30.982	STUDS M6 x 10mm (Inside)

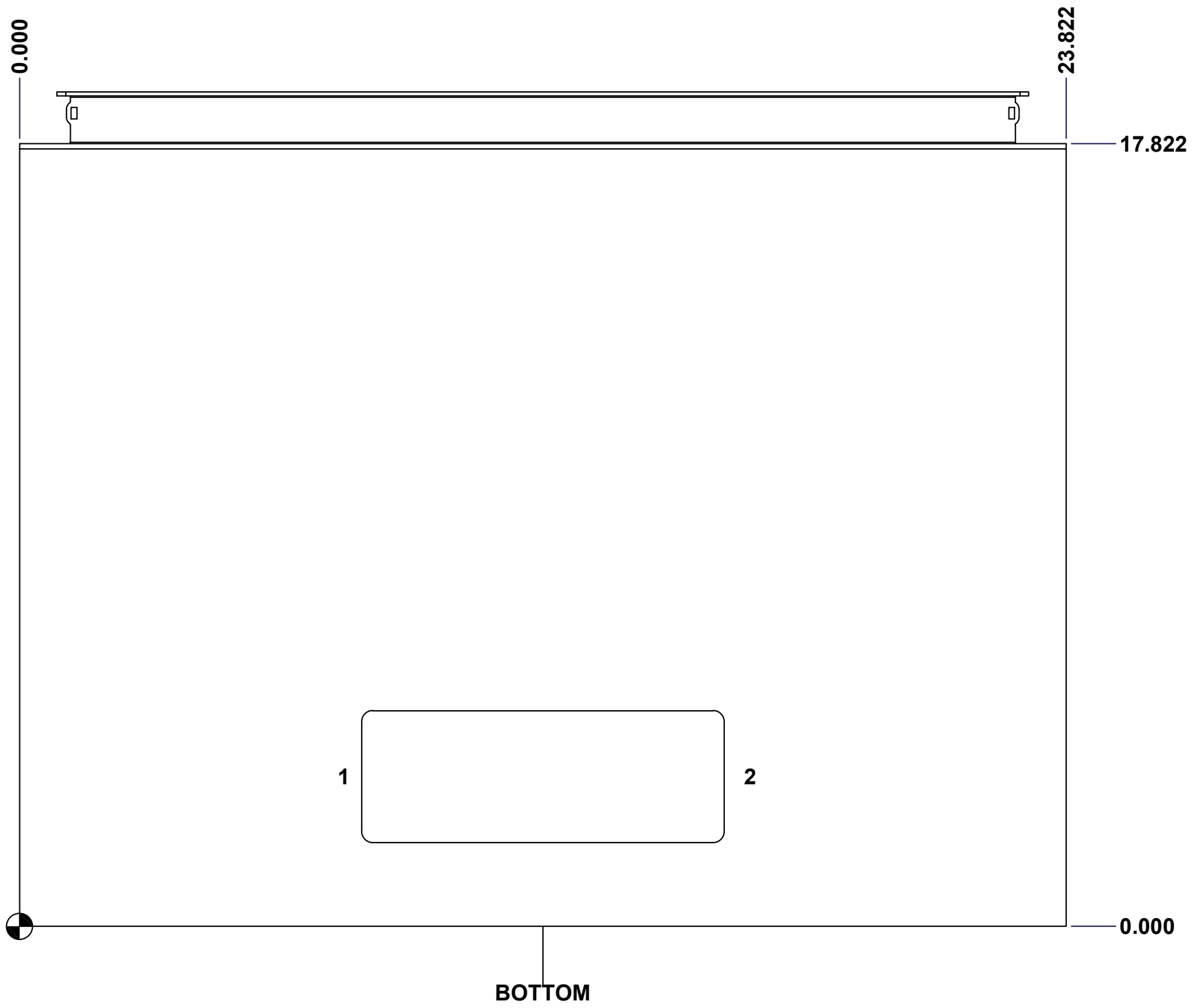


	Description 9500 60" x 24" x 18" Body	Status (NULL)
	Part Number Numéro Pièce <b>9500602418B</b>	Rev. 5 <b>0</b>

This drawing is confidential and must not be reproduced or used without the consent of EXM

Ce dessin est confidentiel et ne doit pas être reproduit ou utilisé sans le consentement de EXM

STANDARD FEATURES ARE NOT LISTED IN THIS HOLE TABLE			
HOLE TABLE - BOTTOM VIEW (CUSTOM FEATURE ONLY)			
CUT-OUT	XDIM	YDIM	DESCRIPTION
1	7.286	3.411	GP STUD M6 x 16mm (Inside)
2	16.536	3.411	GP STUD M6 x 16mm (Inside)



	Description 9500 60" x 24" x 18" Body	Status (NULL)
	Part Number Numéro Pièce <b>9500602418B</b>	Rev. 6 <b>0</b> / 12

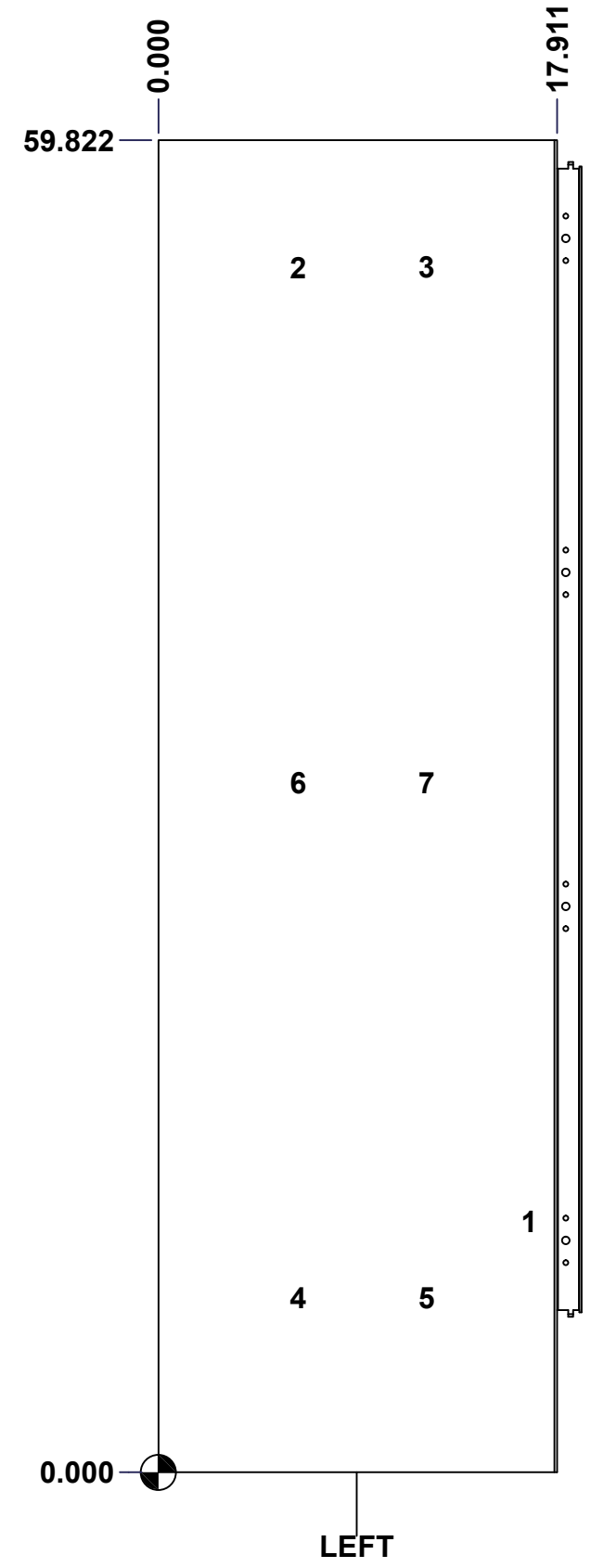
This drawing is confidential and must not be reproduced or used without the consent of EXM

Ce dessin est confidentiel et ne doit pas être reproduit ou utilisé sans le consentement de EXM

**STANDARD FEATURES ARE NOT LISTED IN THIS HOLE TABLE**

**HOLE TABLE - LEFT VIEW (CUSTOM FEATURE ONLY)**

CUT-OUT	XDIM	YDIM	DESCRIPTION
1	16.411	11.286	GND STUD M6 x 16mm (Inside)
2	6.036	54.107	STUDS M6 x 10mm (Inside)
3	11.786	54.107	STUDS M6 x 10mm (Inside)
4	6.036	7.857	STUDS M6 x 10mm (Inside)
5	11.786	7.857	STUDS M6 x 10mm (Inside)
6	6.036	30.982	STUDS M6 x 10mm (Inside)
7	11.786	30.982	STUDS M6 x 10mm (Inside)

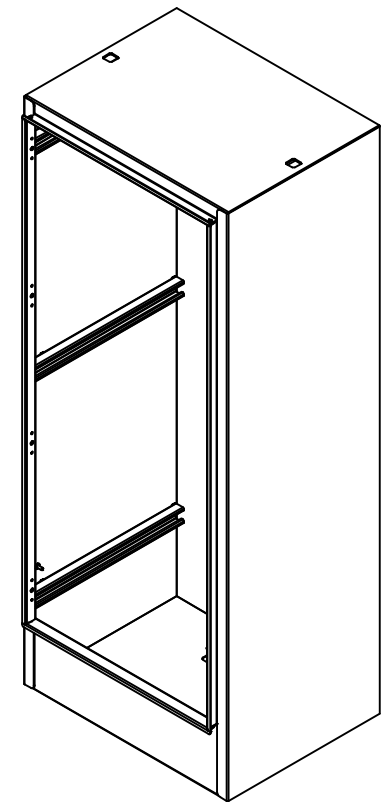


	Description	Status	
	9500 60" x 24" x 18" Body	(NULL)	
	Part Number Numéro Pièce	Rev.	7
	<b>9500602418B</b>	<b>0</b>	12

This drawing is confidential and must not be reproduced or used without the consent of EXM

Ce dessin est confidentiel et ne doit pas être reproduit ou utilisé sans le consentement de EXM


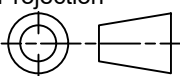
No.	Revisions	Date	By/Par



Isometric View



Qty	Part Number	Rev	Description
14	STK-Q-16030	0	Stud M6 x 10mm Steel
1	CR400MS_17.5	0	Commercial Roll Mild Steel (17.5in long)
2	STK-Q-74900	0	Eyebolt Lifting Angle (8.750")
1	STK-P-02400S	0	Powder Paint (Asa-61 Grey / Smooth)
1	STK-Q-52200-18	2	Sasco Strut S5 (15.500" Long)
5	STK-Q-52250-18	2	Sasco Strut S5 (17.500" Long)
1	9500602418BT-P	0	9500 24" x 18" Bottom Part
1	9500602418T-P	0	9500 24" x 18" Top Part
1	9500602418RS-P	0	9500 60" x 24" Right Part
1	9500602418LS-P	0	9500 60" x 24" Left Part
1	9500602418B-P	0	9500 60" x 24" Back Part
3	STK-Q-16080	0	Ground Stud M6 x 16mm Steel

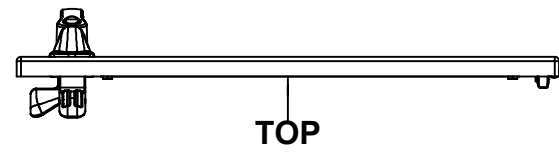
 Tél: (450) 979-4373 Fax: (450) 979-4626 <a href="http://www.exmweb.com">www.exmweb.com</a>		Flatness Aplatissement Max 3.0mm Projection 
Customer Client	Date	
Drawn By Dessiné Par	BoxCad: BoxCad	Date 25-Aug-11
Material Matière	12 Ga Cold Rolled A1008 CS Type B (2.5mm)	
Color Couleur	Asa-61 Grey	Finish Fini Smooth
Description	Detail Rev.	
9500 60" x 24" x 18" Body		
Part Number Numéro Pièce	Rev.	8
<b>9500602418B</b>	<b>0</b>	12

Parts List

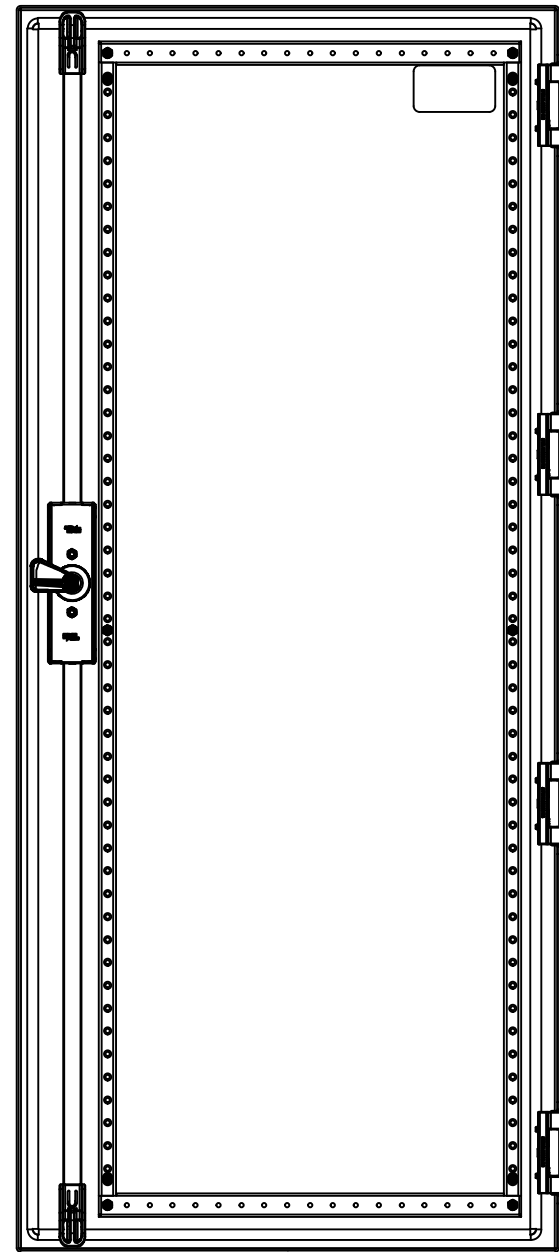


This drawing is confidential and must not be reproduced or used without the consent of EXM

Ce dessin est confidentiel et ne doit pas être reproduit ou utilisé sans le consentement de EXM



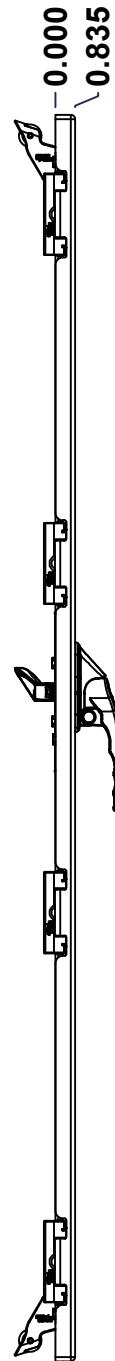
TOP



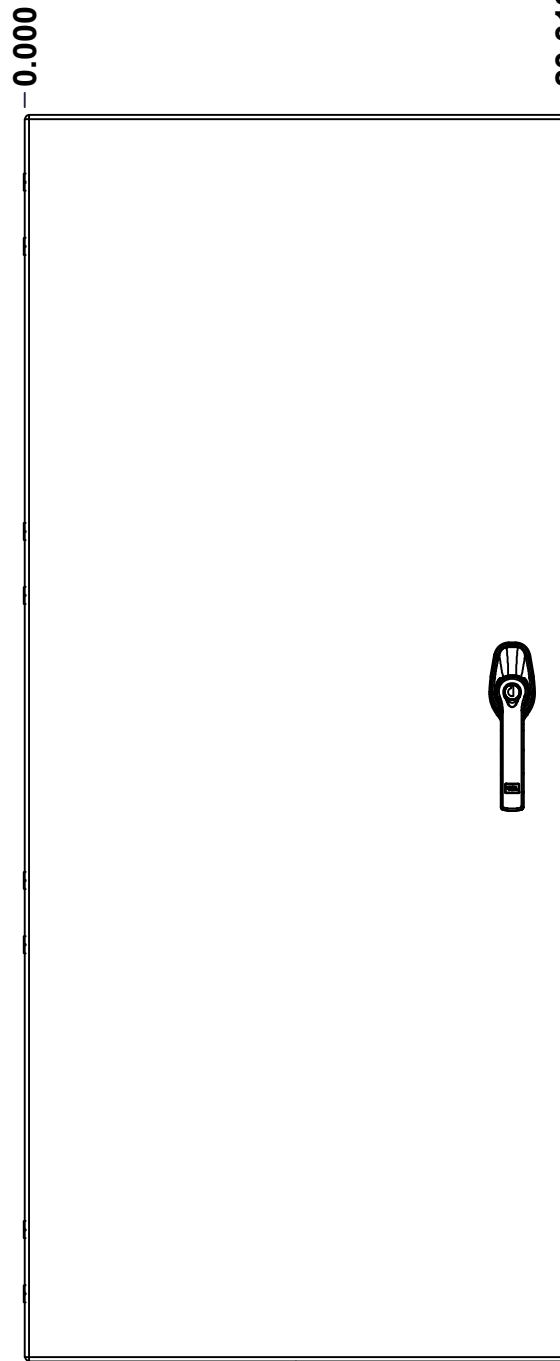
BACK



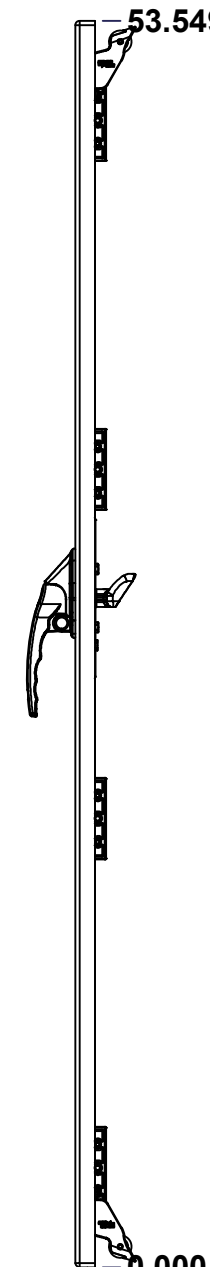
BOTTOM



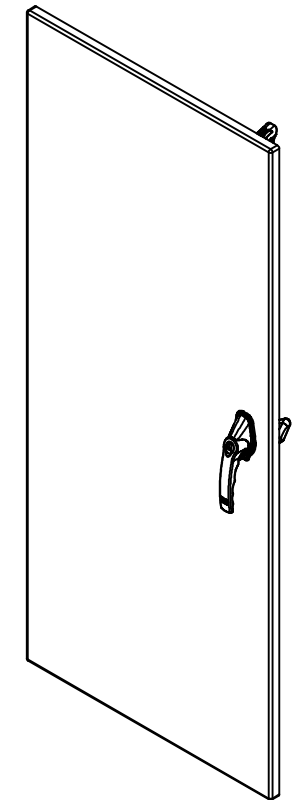
LEFT



FRONT




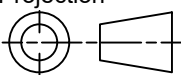
RIGHT



Isometric View



No.	Revisions	Date	By/Par

 Tél: (450) 979-4373 Fax: (450) 979-4626 <a href="http://www.exmweb.com">www.exmweb.com</a>		Flatness Aplatissement Max 3.0mm Projection 
Customer Client	Date	
Drawn By Dessiné Par	BoxCad: BoxCad	Date 25-Aug-11
Material Matière	12 Ga Cold Rolled A1008 CS Type B (2.5mm)	
Color Couleur	Asa-61 Grey	Finish Fini Smooth
Description	Detail Rev.	
9500 60" x 24" Cover		
Part Number Numéro Pièce	Rev. 0	9 12

SEE BILL OF MATERIAL ON LAST PAGE

**9500602418C**

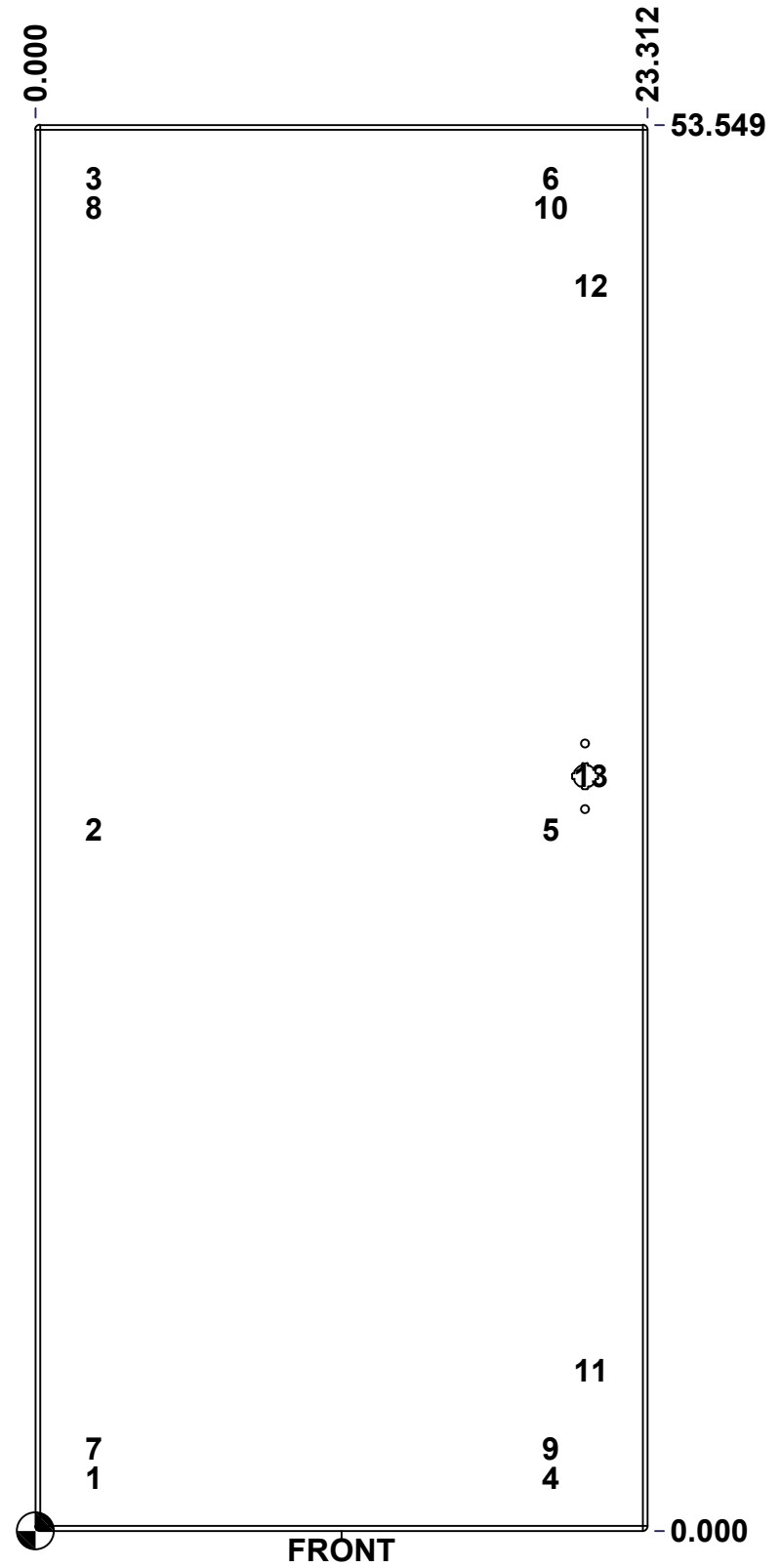
This drawing is confidential and must not be reproduced or used without the consent of EXM

Ce dessin est confidentiel et ne doit pas être reproduit ou utilisé sans le consentement de EXM

**STANDARD FEATURES ARE NOT LISTED IN THIS HOLE TABLE**

**HOLE TABLE - FRONT VIEW (CUSTOM FEATURE ONLY)**

CUT-OUT	XDIM	YDIM	DESCRIPTION
1	2.000	2.028	STUD M6 x 18mm (Inside)
2	2.000	26.722	STUD M6 x 18mm (Inside)
3	2.000	51.521	STUD M6 x 18mm (Inside)
4	19.407	2.028	STUD M6 x 18mm (Inside)
5	19.407	26.722	STUD M6 x 18mm (Inside)
6	19.407	51.521	STUD M6 x 18mm (Inside)
7	2.000	3.139	STUD M6 x 18mm (Inside)
8	2.000	50.409	STUD M6 x 18mm (Inside)
9	19.407	3.139	STUD M6 x 18mm (Inside)
10	19.407	50.409	STUD M6 x 18mm (Inside)
11	20.937	6.118	CLOSING BAR STUD (Inside)
12	20.937	47.430	CLOSING BAR STUD (Inside)
-----	-----	-----	-----
13	20.937	28.743	HANDLE 885 ESL2A-APHK @ 0.0°

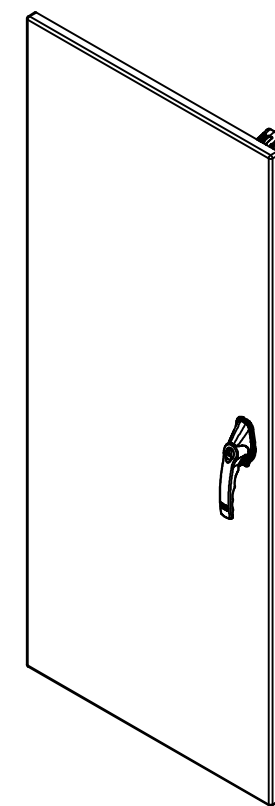


	Description	Status	
	9500 60" x 24" Cover	(NULL)	
	Part Number Numéro Pièce	Rev.	10
	<b>9500602418C</b>	<b>0</b>	12

This drawing is confidential and must not be reproduced or used without the consent of EXM

Ce dessin est confidentiel et ne doit pas être reproduit ou utilisé sans le consentement de EXM

No.	Revisions	Date	By/Par



Isometric View

QTY	Part Number	Rev	Description
1	STK-Q-47526	1	9500 Lower Closing Bar 60"
1	STK-Q-47516	1	9500 Upper Closing Bar 60"
1	STK-A-03886-36	2	Gearbox Clockwise Assembly (36.0mm)
1	885ESL2A-APHK	6	885 ESL2A-APHK - Zinc Die Cast L-Handle Padlockable Assy
1	STK-P-02400S	0	Powder Paint (Asa-61 Grey / Smooth)
1	STK-S-00100	0	3.5" x 2" Silver Milar Flexcon Sticker
1	STK-K-10800	3	9500 - Door Stiffener Assembly
2	STK-Q-16410	0	Guide Stud - Largel (No Paint Cap Required)
10	STK-Q-16055	1	M6 x 18mm Stud (No Paint Cap Required)
1	9500602418G	0	9500 60" x 24" Cover Gasket
1	9500602418C-P	0	9500 60" x 24" Cover Part
2	STK-A-90025	0	9500 - Cabinet Closing Bar End (Large)
4	STK-K-09860	7	Cabinet Hinge with Captive Pins
QTY	Part Number	Rev	Description
Parts List			

<p>Tél: (450) 979-4373 Fax: (450) 979-4626 <a href="http://www.exmweb.com">www.exmweb.com</a></p>	Flatness Aplatissement	Max 3.0mm
	Projection	
Customer Client	Date	
Drawn By Dessiné Par	BoxCad: BoxCad	Date 25-Aug-11
Material Matière	12 Ga Cold Rolled A1008 CS Type B (2.5mm)	
Color Couleur	Asa-61 Grey	Finish Fini Smooth
Description	9500 60" x 24" Cover	Detail Rev.
Part Number Numéro Pièce	<b>9500602418C</b>	Rev. 11 <b>0</b> 12

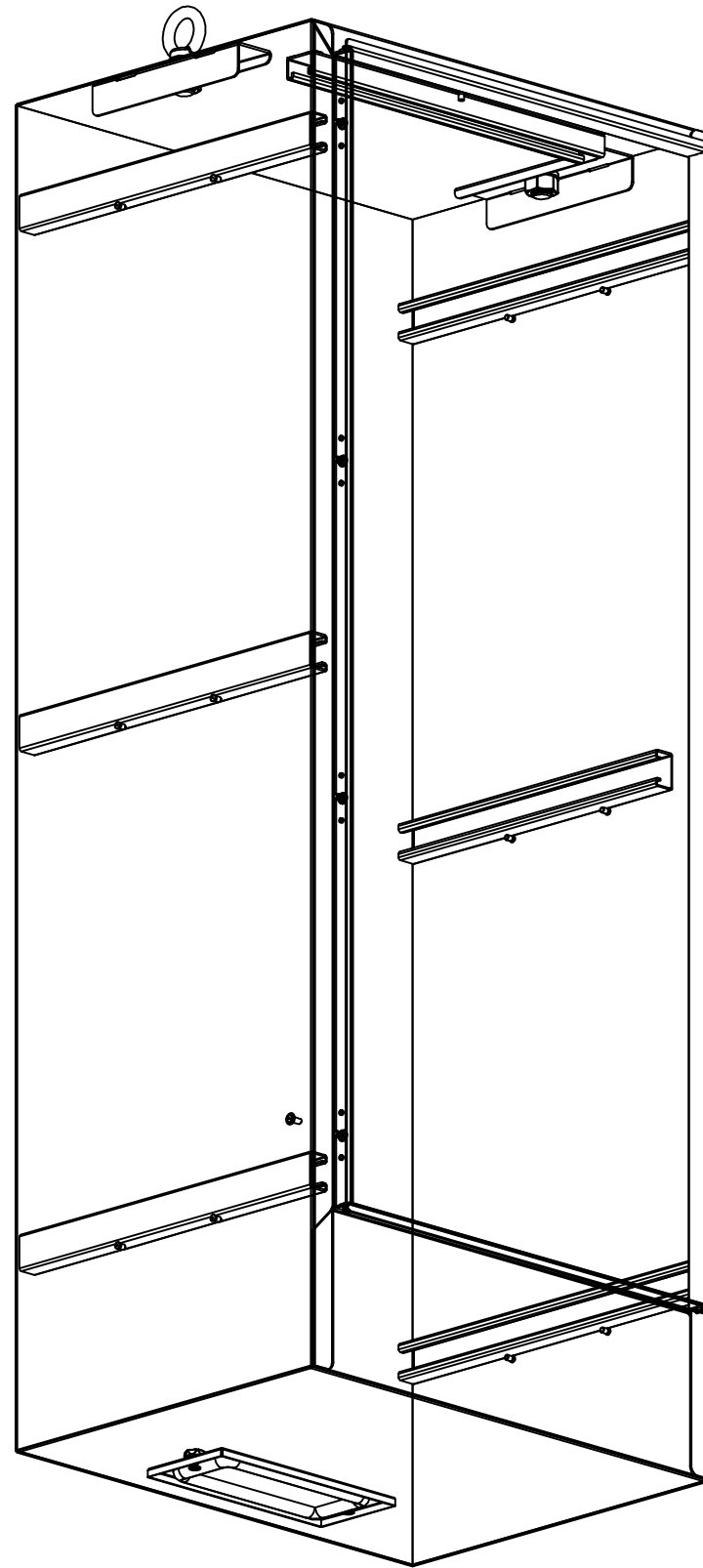
Tolerance ±1/32" unless otherwise specified

C:\Vault Workspace\Inventor Dwg\BoxCad\Result\9500602418\9500602418.idw

Tolérance ±1/32" sauf spécification contraire

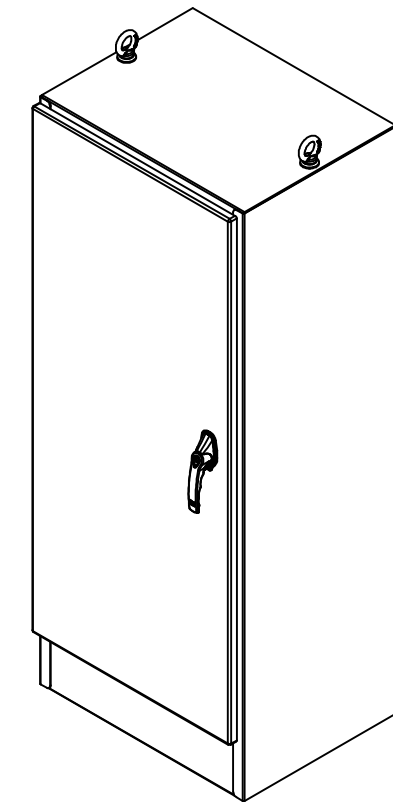
All knockouts are actual size / Les disques défonçables sont grandeur réel  
 All dimensions are before paint / Toutes les dimensions sont avant peinture

This drawing is confidential and must not be reproduced or used without the consent of EXM

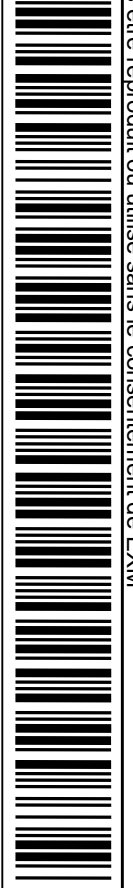



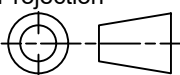
No.	Revisions	Date	By/Par

Ce dessin est confidentiel et ne doit pas être reproduit ou utilisé sans le consentement de EXM



Isometric View



 Tél: (450) 979-4373 Fax: (450) 979-4626 <a href="http://www.exmweb.com">www.exmweb.com</a>	Flatness Aplatissement
	Max 3.0mm
Projection	
Customer Client	Date
Drawn By Dessiné Par BoxCad	Date 11-Aug-05
Material Matière	Asa-61 Grey
Color Couleur 12 Ga Cold Rolled A1008 CS Type B (2.5mm)	Finish Fini Smooth
Description	Detail Rev.
9500 60" x 24" x 18" Assembly	
Part Number Numéro Pièce	Rev. 12
	0 12