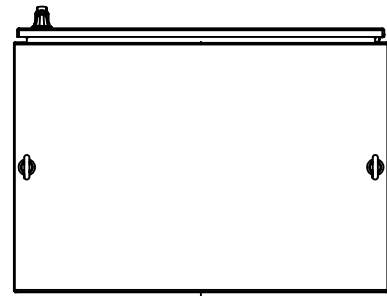
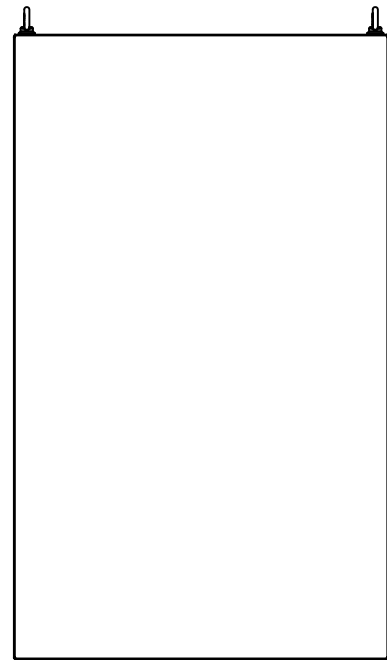


This drawing is confidential and must not be reproduced or used without the consent of EXM

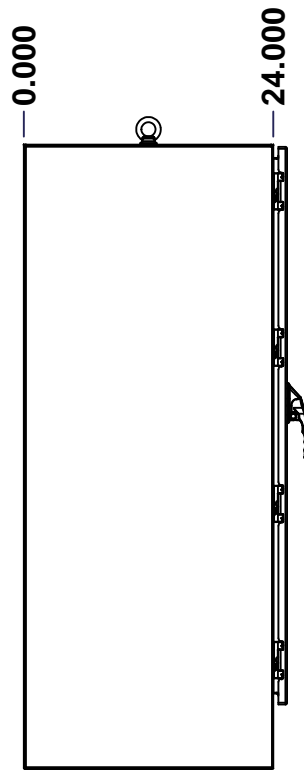
Ce dessin est confidentiel et ne doit pas être reproduit ou utilisé sans le consentement de EXM



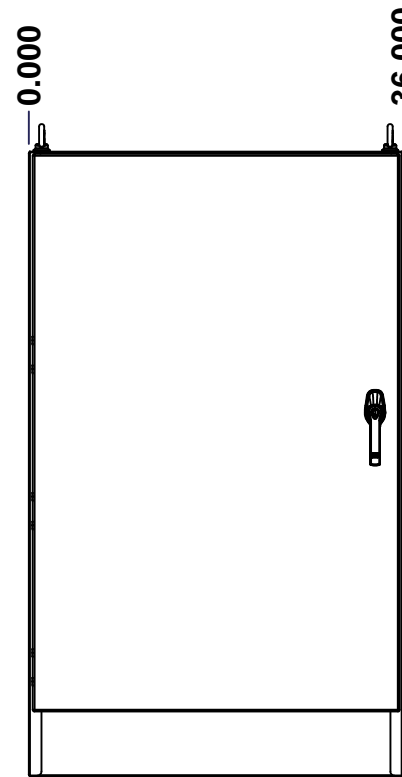
TOP



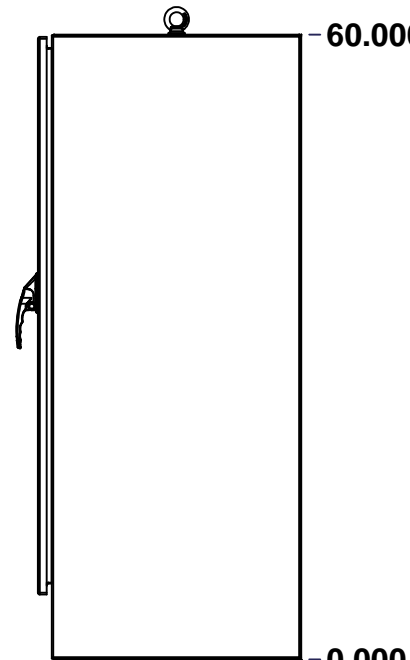
BACK



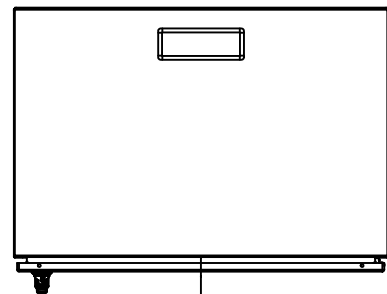
LEFT



FRONT

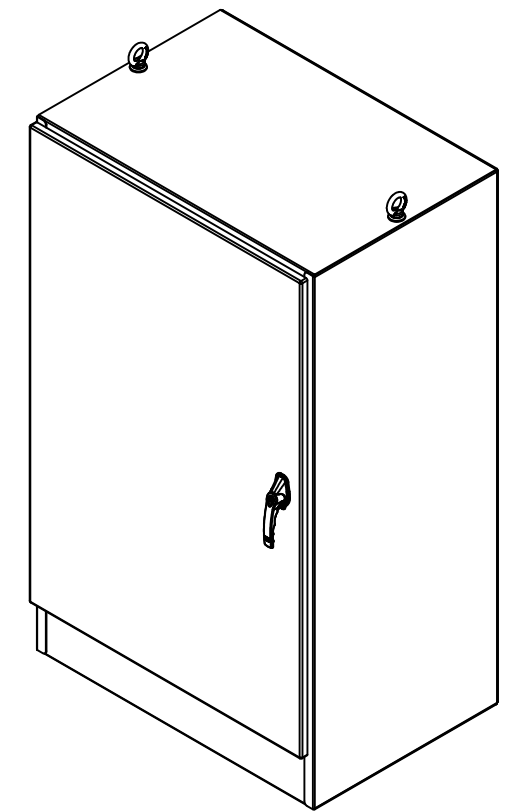


RIGHT



BOTTOM

| No. | Revisions | Date | By/Par |
|-----|-----------|------|--------|
|     |           |      |        |
|     |           |      |        |
|     |           |      |        |
|     |           |      |        |
|     |           |      |        |



Isometric View

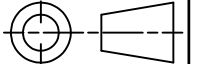


Tél: (450) 979-4373  
 Fax: (450) 979-4626  
[www.exmweb.com](http://www.exmweb.com)

Flatness  
Aplatissement

Max 3.0mm

Projection



|   |                       |
|---|-----------------------|
| Customer Client   | Date                  |
| Drawn By / Dessiné Par: BoxCad: BoxCad                        | Date: 12-Feb-13       |
| Material / Matière: 12 Ga Cold Rolled A1008 CS Type B (2.5mm) |                       |
| Color / Couleur: Asa-61 Grey                                  | Finish / Fini: Smooth |
| Description: 9500 60" x 36" x 24" Assembly                    |                       |
| Detail Rev.   |                       |
| Part Number / Numéro Pièce: 9500603624                        | Rev. 1                |
|   | 2                     |

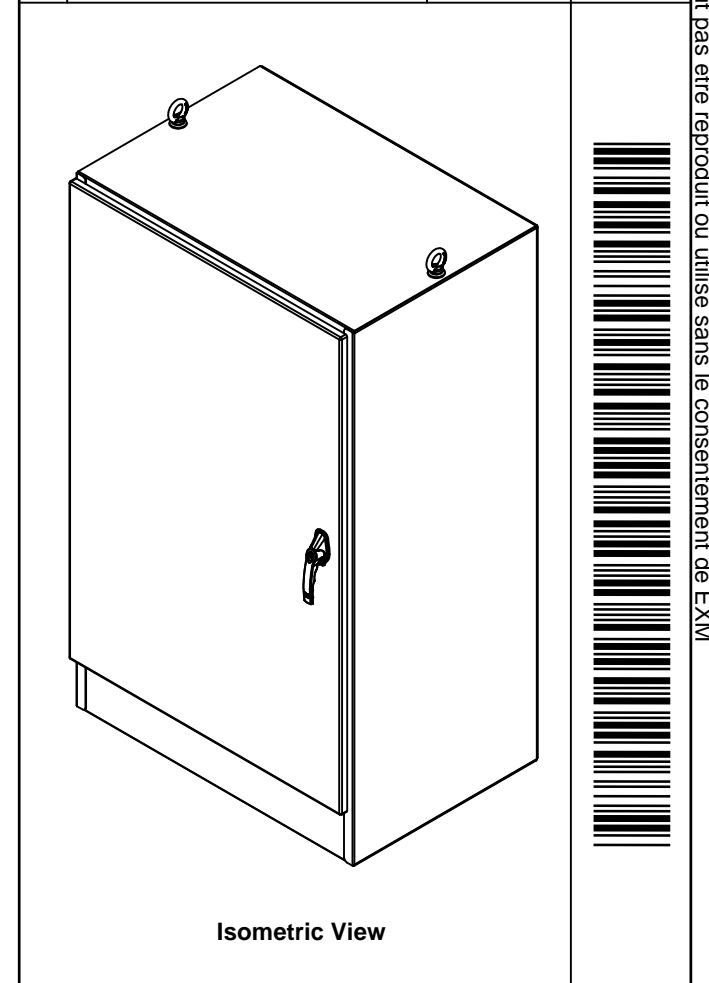
SEE BILL OF MATERIAL ON LAST PAGE

This drawing is confidential and must not be reproduced or used without the consent of EXM

Ce dessin est confidentiel et ne doit pas être reproduit ou utilisé sans le consentement de EXM


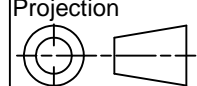
| NOTE |  |
|------|--|
| ITEM | DESCRIPTION                                |
| 1    | NEMA 12/13 Enclosure                       |
| 2    | C/W Standard ground studs on box and cover |
| 3    | C/W Standard door stiffener                |
| 4    | W/O Inner panel                            |
| 5    | C/W Standard inner panel mounting struts   |
| 6    | C/W Struts installed (Included)            |
| 7    | C/W Eyebolts                               |

| No. | Revisions | Date | By/Par |
|-----|-----------|------|--------|
|     |           |      |        |
|     |           |      |        |
|     |           |      |        |
|     |           |      |        |
|     |           |      |        |
|     |           |      |        |



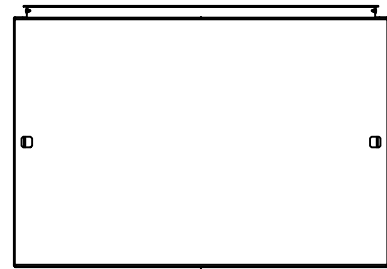
| PACKING               |     |  |
|-----------------------|-----|--|
| ITEM                  | QTY | DESCRIPTION                                    |
| Cardboard sleeve      | 2   | Top and Bottom                                 |
| Cardboard strip       | 2   | Between back of enclosure and inner panel      |
| Plastic bag           | 1   | To protect cover surface and inside gasket     |
| Cardboard corner      | 4   | To reinforced for the plastic strap tightening |
| Plastic strap - Black | 2   | To Squeeze 2 cardboard sleeve together         |
| Packaging label       | 3   | White label with PN                            |
| Plastic strap- Green  | 2   | To secure the enclosure to the wood pallet     |
| Wood Pallet           | 1   | 2" deeper and 3" larger than enclosure size    |

| Qty        | Part Number    | Rev | Description   |
|------------|----------------|-----|---|
| 1          | 9500603624GP   | 0   | 9500 Gland Plate  |
| 1          | 880EB14        | 2   | Eye Bolt M14 (Pack of 2)                                |
| 1          | 9500603624C    | 0   | 9500 60" x 36" Cover                                    |
| 1          | 9500603624B    | 0   | 9500 60" x 36" x 24" Body                               |
| 4          | STK-Q-04050-10 | 8   | M6 x 10mm Hexagon Socket Head Machine Screw with Nyseal |
| Parts List |                |     |   |

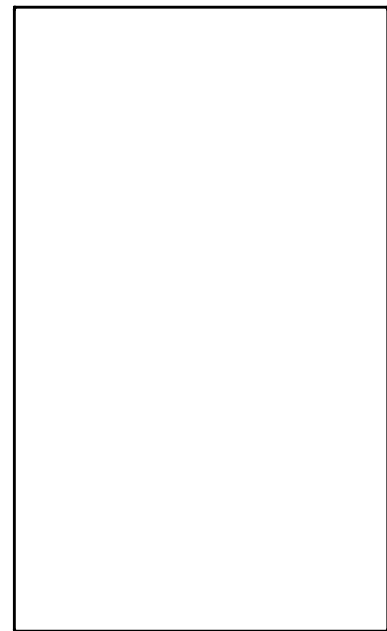
|  |   |   |
|--|---|---|
|  Tél: (450) 979-4373<br>Fax: (450) 979-4626<br><a href="http://www.exmweb.com">www.exmweb.com</a> |   | Flatness<br>Aplatissement<br>Max 3.0mm<br>Projection<br> |
| Customer<br>Client   | Date                                      |   |
| Drawn By<br>Dessiné Par  | BoxCad: BoxCad                            | Date 12-Feb-13  |
| Material<br>Matière  | 12 Ga Cold Rolled A1008 CS Type B (2.5mm) |   |
| Color<br>Couleur   | Asa-61 Grey                               | Finish<br>Fini Smooth   |
| Description  | 9500 60" x 36" x 24" Assembly             |   |
| Part Number<br>Numéro Pièce  | <b>9500603624</b>                         | Rev. 2  |
|  |   | <b>0</b>  |

This drawing is confidential and must not be reproduced or used without the consent of EXM

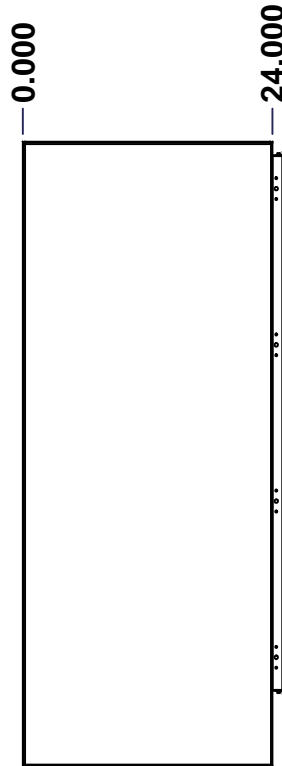
Ce dessin est confidentiel et ne doit pas être reproduit ou utilisé sans le consentement de EXM



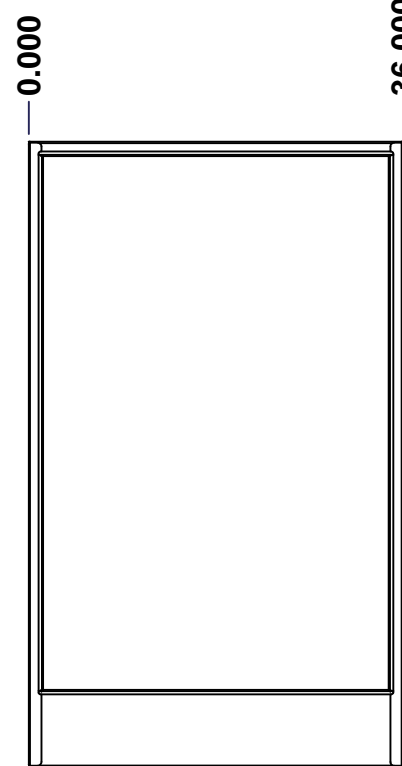
TOP



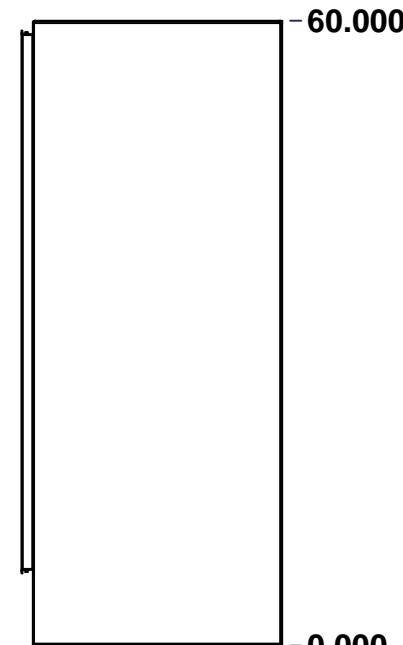
BACK



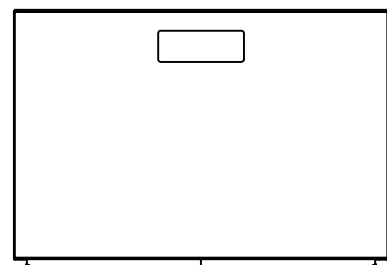
LEFT



FRONT

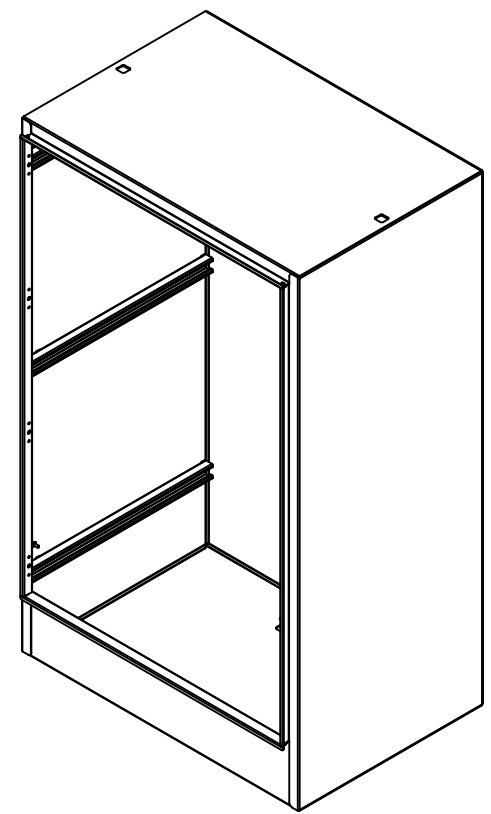


RIGHT



BOTTOM

| No. | Revisions | Date | By/Par |
|-----|-----------|------|--------|
|     |           |      |        |
|     |           |      |        |
|     |           |      |        |
|     |           |      |        |



Isometric View



Tél: (450) 979-4373  
 Fax: (450) 979-4626  
[www.exmweb.com](http://www.exmweb.com)

Flatness  
Aplatissement  
Max 3.0mm  
Projection

|   |                       |
|---|-----------------------|
| Customer Client   | Date                  |
| Drawn By / Dessiné Par: BoxCad: BoxCad                        | Date: 12-Feb-13       |
| Material / Matière: 12 Ga Cold Rolled A1008 CS Type B (2.5mm) |                       |
| Color / Couleur: Asa-61 Grey                                  | Finish / Fini: Smooth |
| Description: 9500 60" x 36" x 24" Body                        | Detail Rev.           |

SEE BILL OF MATERIAL ON LAST PAGE

|  |        |
|--|--------|
| Part Number / Numéro Pièce: <b>9500603624B</b> | Rev. 1 |
|  | 2      |

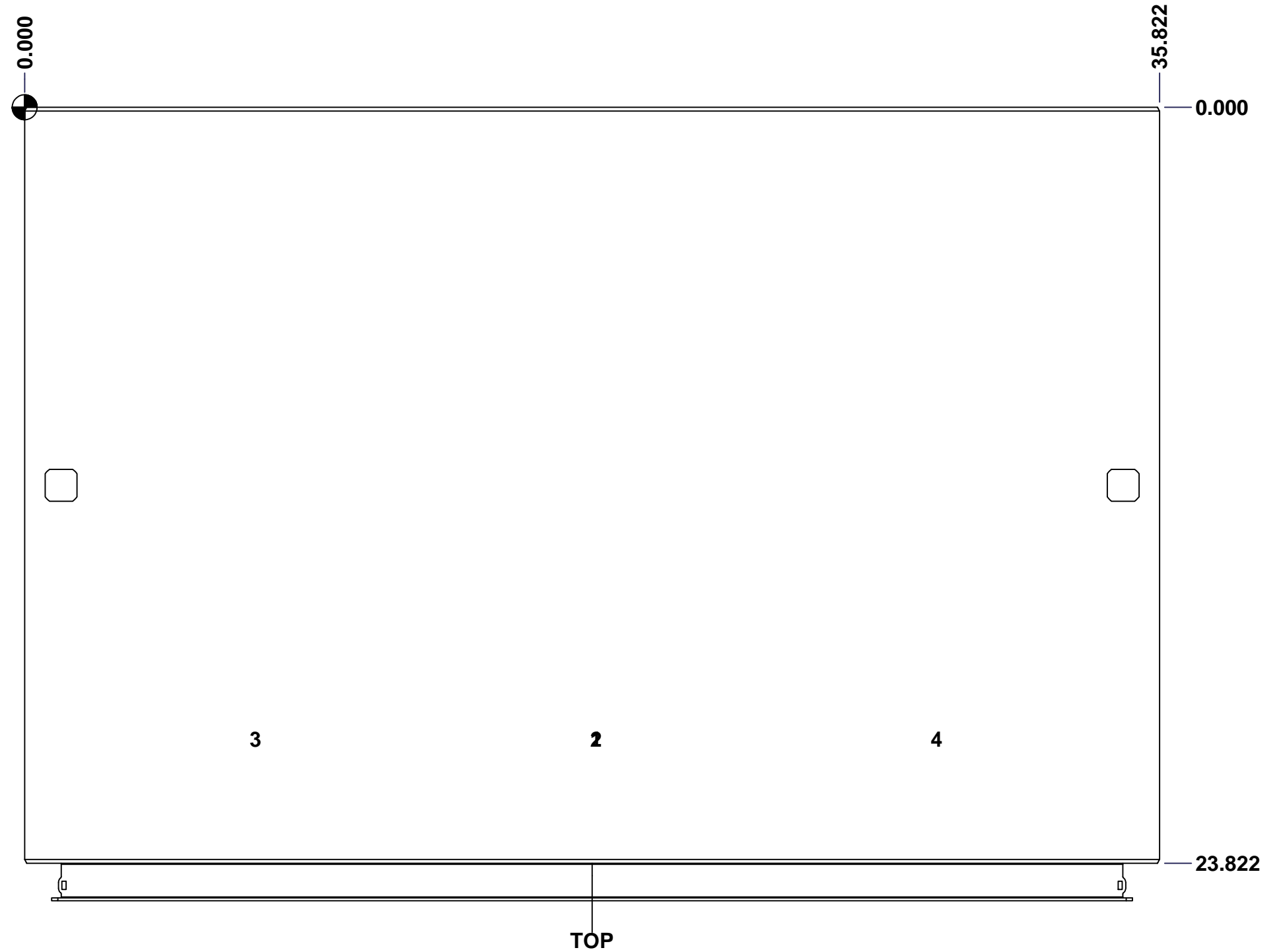
This drawing is confidential and must not be reproduced or used without the consent of EXM

Ce dessin est confidentiel et ne doit pas être reproduit ou utilisé sans le consentement de EXM

**STANDARD FEATURES ARE NOT LISTED IN THIS HOLE TABLE**

**HOLE TABLE - TOP VIEW (CUSTOM FEATURE ONLY)**

| CUT-OUT | XDIM   | YDIM   | DESCRIPTION                   |
|---------|--------|--------|-------------------------------|
| 1       | 17.911 | 19.911 | Struts CR400 27.500" (Inside) |
| 2       | 17.911 | 19.911 | STUDS M6 x 10mm (Inside)      |
| 3       | 7.161  | 19.911 | STUDS M6 x 10mm (Inside)      |
| 4       | 28.661 | 19.911 | STUDS M6 x 10mm (Inside)      |



|  |                             |          |       |
|--|-----------------------------|----------|-------|
|  | Description                 | Status   |       |
|  | 9500 60" x 36" x 24" Body   | Released |       |
|  | Part Number<br>Numéro Pièce | Rev.     |       |
|  | <b>9500603624B</b>          | <b>0</b> | 2 / 7 |

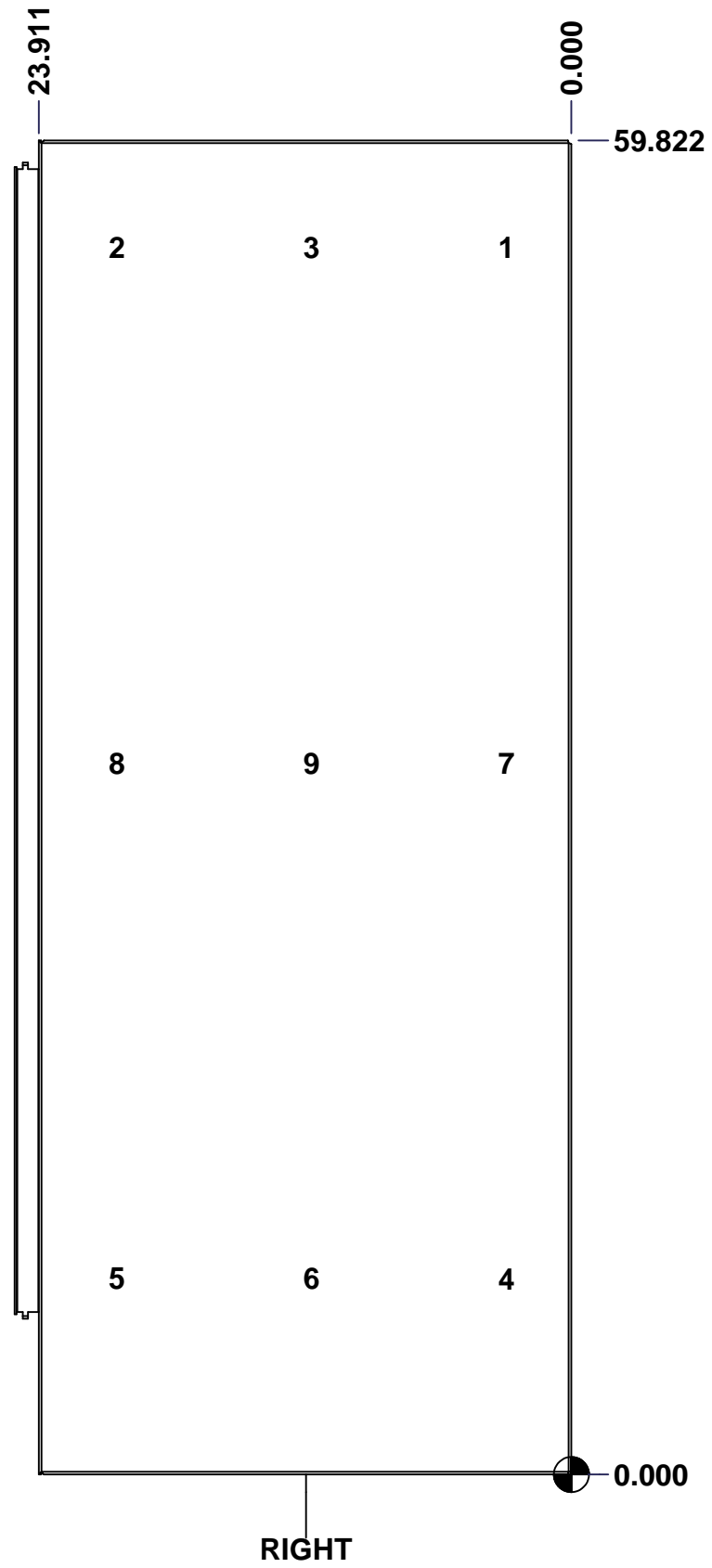
This drawing is confidential and must not be reproduced or used without the consent of EXM

Ce dessin est confidentiel et ne doit pas être reproduit ou utilisé sans le consentement de EXM

**STANDARD FEATURES ARE NOT LISTED IN THIS HOLE TABLE**

**HOLE TABLE - RIGHT VIEW (CUSTOM FEATURE ONLY)**

| CUT-OUT | XDIM   | YDIM   | DESCRIPTION              |
|---------|--------|--------|--------------------------|
| 1       | 3.161  | 55.036 | STUDS M6 x 10mm (Inside) |
| 2       | 20.661 | 55.036 | STUDS M6 x 10mm (Inside) |
| 3       | 11.911 | 55.036 | STUDS M6 x 10mm (Inside) |
| 4       | 3.161  | 8.786  | STUDS M6 x 10mm (Inside) |
| 5       | 20.661 | 8.786  | STUDS M6 x 10mm (Inside) |
| 6       | 11.911 | 8.786  | STUDS M6 x 10mm (Inside) |
| 7       | 3.161  | 31.911 | STUDS M6 x 10mm (Inside) |
| 8       | 20.661 | 31.911 | STUDS M6 x 10mm (Inside) |
| 9       | 11.911 | 31.911 | STUDS M6 x 10mm (Inside) |



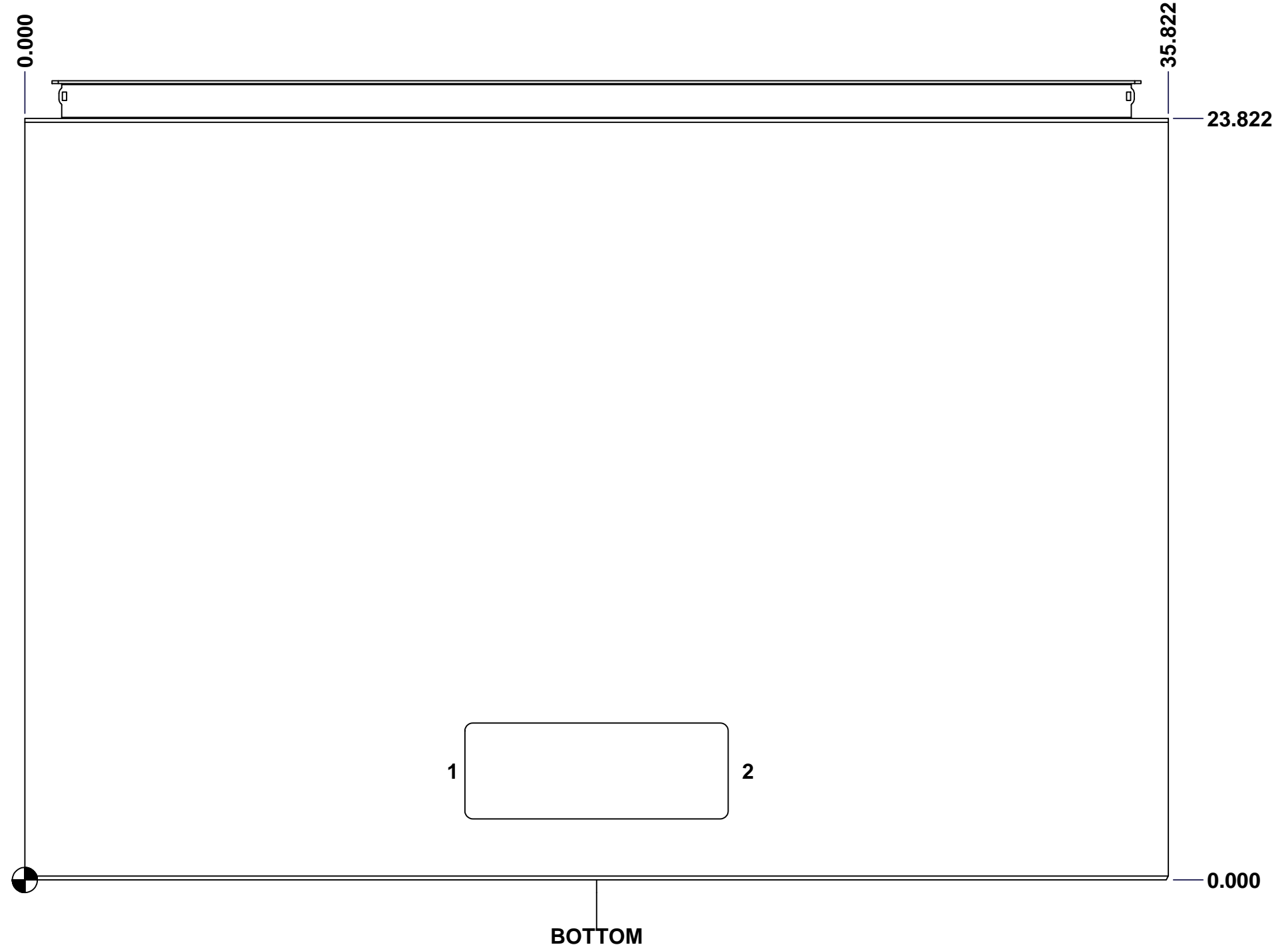
RIGHT

|  |                             |          |
|--|-----------------------------|----------|
|  | Description                 | Status   |
|  | 9500 60" x 36" x 24" Body   | Released |
|  | Part Number<br>Numéro Pièce | Rev.     |
|  | <b>9500603624B</b>          | <b>0</b> |
|  |                             | 3 / 7    |

This drawing is confidential and must not be reproduced or used without the consent of EXM

Ce dessin est confidentiel et ne doit pas être reproduit ou utilisé sans le consentement de EXM

| STANDARD FEATURES ARE NOT LISTED IN THIS HOLE TABLE |        |       |                            |
|---|--------|-------|----------------------------|
| HOLE TABLE - BOTTOM VIEW (CUSTOM FEATURE ONLY)      |        |       |                            |
| CUT-OUT   | XDIM   | YDIM  | DESCRIPTION                |
| 1   | 13.286 | 3.411 | GP STUD M6 x 16mm (Inside) |
| 2   | 22.536 | 3.411 | GP STUD M6 x 16mm (Inside) |



|  |                             |          |
|--|-----------------------------|----------|
|  | Description                 | Status   |
|  | 9500 60" x 36" x 24" Body   | Released |
|  | Part Number<br>Numéro Pièce | Rev.     |
|  | <b>9500603624B</b>          | <b>0</b> |
|  |                             | 4 / 7    |

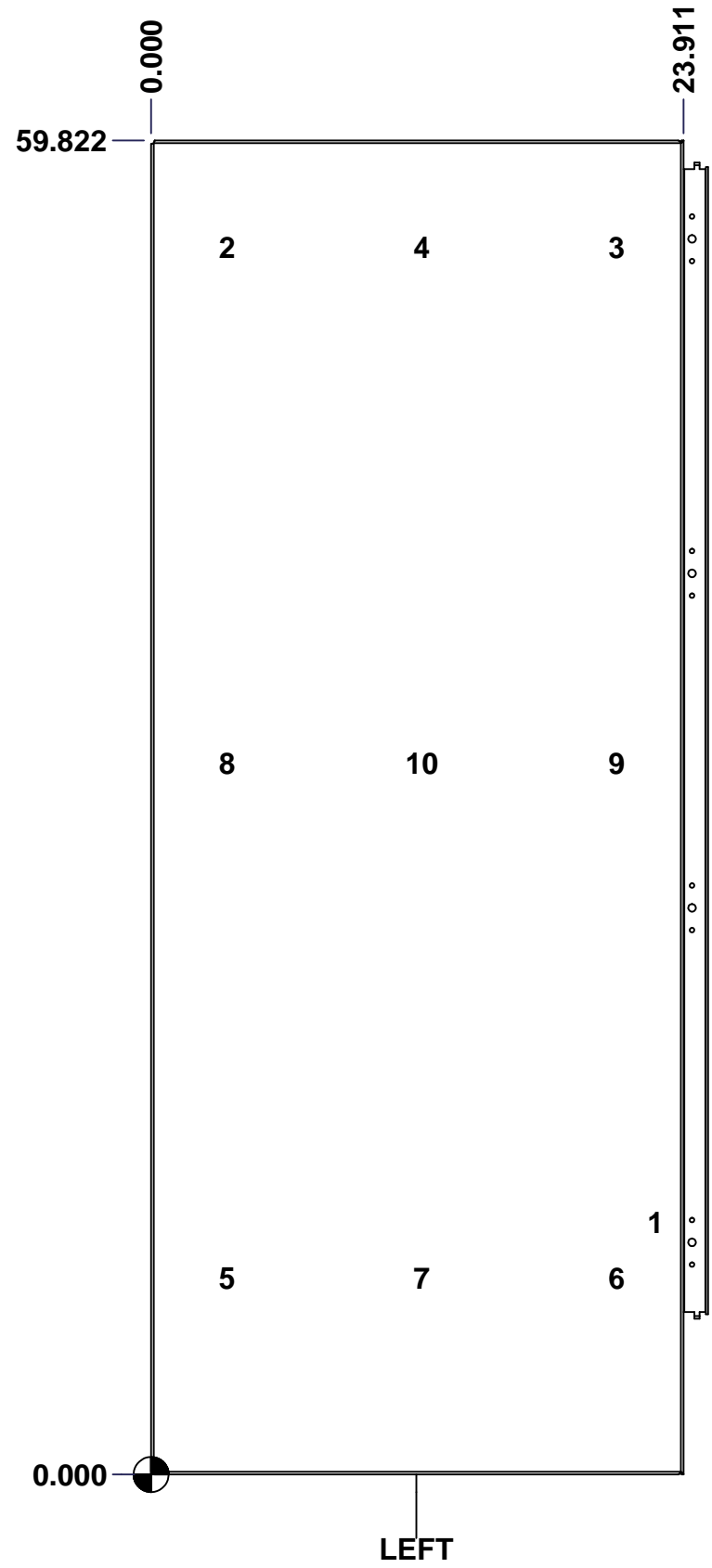
This drawing is confidential and must not be reproduced or used without the consent of EXM

Ce dessin est confidentiel et ne doit pas être reproduit ou utilisé sans le consentement de EXM

**STANDARD FEATURES ARE NOT LISTED IN THIS HOLE TABLE**

**HOLE TABLE - LEFT VIEW (CUSTOM FEATURE ONLY)**

| CUT-OUT | XDIM   | YDIM   | DESCRIPTION                 |
|---------|--------|--------|-----------------------------|
| 1       | 22.411 | 11.286 | GND STUD M6 x 16mm (Inside) |
| 2       | 3.161  | 55.036 | STUDS M6 x 10mm (Inside)    |
| 3       | 20.661 | 55.036 | STUDS M6 x 10mm (Inside)    |
| 4       | 11.911 | 55.036 | STUDS M6 x 10mm (Inside)    |
| 5       | 3.161  | 8.786  | STUDS M6 x 10mm (Inside)    |
| 6       | 20.661 | 8.786  | STUDS M6 x 10mm (Inside)    |
| 7       | 11.911 | 8.786  | STUDS M6 x 10mm (Inside)    |
| 8       | 3.161  | 31.911 | STUDS M6 x 10mm (Inside)    |
| 9       | 20.661 | 31.911 | STUDS M6 x 10mm (Inside)    |
| 10      | 11.911 | 31.911 | STUDS M6 x 10mm (Inside)    |

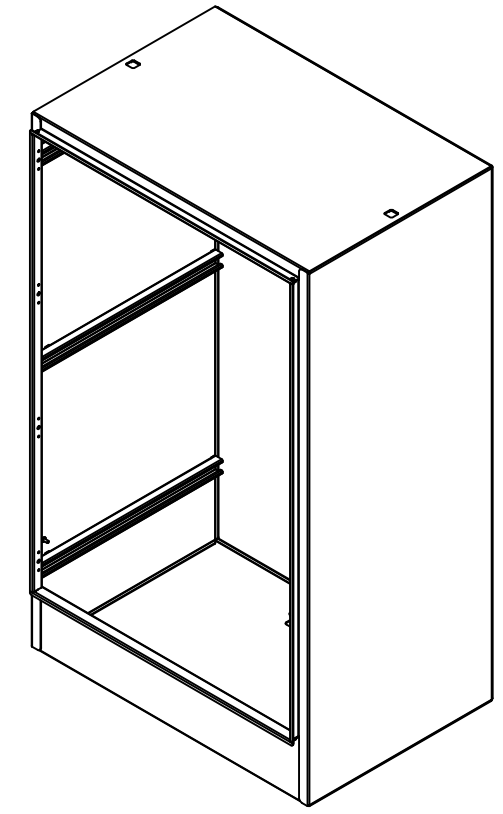


|  |                             |          |
|--|-----------------------------|----------|
|  | Description                 | Status   |
|  | 9500 60" x 36" x 24" Body   | Released |
|  | Part Number<br>Numéro Pièce | Rev.     |
|  | <b>9500603624B</b>          | <b>0</b> |
|  |                             | 5        |
|  |                             | 7        |

This drawing is confidential and must not be reproduced or used without the consent of EXM

Ce dessin est confidentiel et ne doit pas être reproduit ou utilisé sans le consentement de EXM

| No. | Revisions | Date | By/Par |
|-----|-----------|------|--------|
|     |           |      |        |
|     |           |      |        |
|     |           |      |        |
|     |           |      |        |
|     |           |      |        |



Isometric View



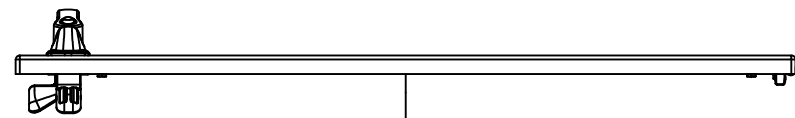
| Qty        | Part Number    | Rev | Description                              |
|------------|----------------|-----|--|
| 21         | STK-Q-16030    | 0   | Stud M6 x 10mm                           |
| 1          | CR400MS_27.5   | 0   | Commercial Roll Mild Steel (27.5in long) |
| 1          | STK-P-02400S   | 0   | Powder Paint (Asa-61 Grey / Smooth)      |
| 1          | STK-Q-52200-24 | 2   | Sasco Strut S5 (21.500" Long)            |
| 5          | STK-Q-52250-24 | 2   | Sasco Strut S5 (23.500" Long)            |
| 1          | 9500603624BT-P | 0   | 9500 36" x 24" Bottom Part               |
| 1          | 9500603624T-P  | 0   | 9500 36" x 24" Top Part                  |
| 1          | 9500603624RS-P | 0   | 9500 60" x 36" Right Part                |
| 1          | 9500603624LS-P | 0   | 9500 60" x 36" Left Part                 |
| 1          | 9500603624B-P  | 0   | 9500 60" x 36" Back Part                 |
| 21         | STK-Q-07220    | 1   | M6 Nylon Insert Lock Nut                 |
| 3          | STK-Q-16080    | 0   | Ground Stud M6 x 16mm                    |
| Qty        | Part Number    | Rev | Description                              |
| Parts List |                |     |  |

|                             |  |                           |                |
|-----------------------------|--|---------------------------|----------------|
|                             | Tél: (450) 979-4373<br>Fax: (450) 979-4626<br><a href="http://www.exmweb.com">www.exmweb.com</a> | Flatness<br>Aplatissement | Max 3.0mm      |
|                             |  | Projection                |                |
| Customer<br>Client          | Date   | Drawn By<br>Dessiné Par   | BoxCad: BoxCad |
| Material<br>Matière         | 12 Ga Cold Rolled A1008 CS Type B (2.5mm)  | Date                      | 12-Feb-13      |
| Color<br>Couleur            | Asa-61 Grey  | Finish<br>Fini            | Smooth         |
| Description                 | 9500 60" x 36" x 24" Body  | Detail Rev.               |                |
| Part Number<br>Numéro Pièce | <b>9500603624B</b>   | Rev.                      | 2              |
|                             |  | <b>0</b>                  | 2              |

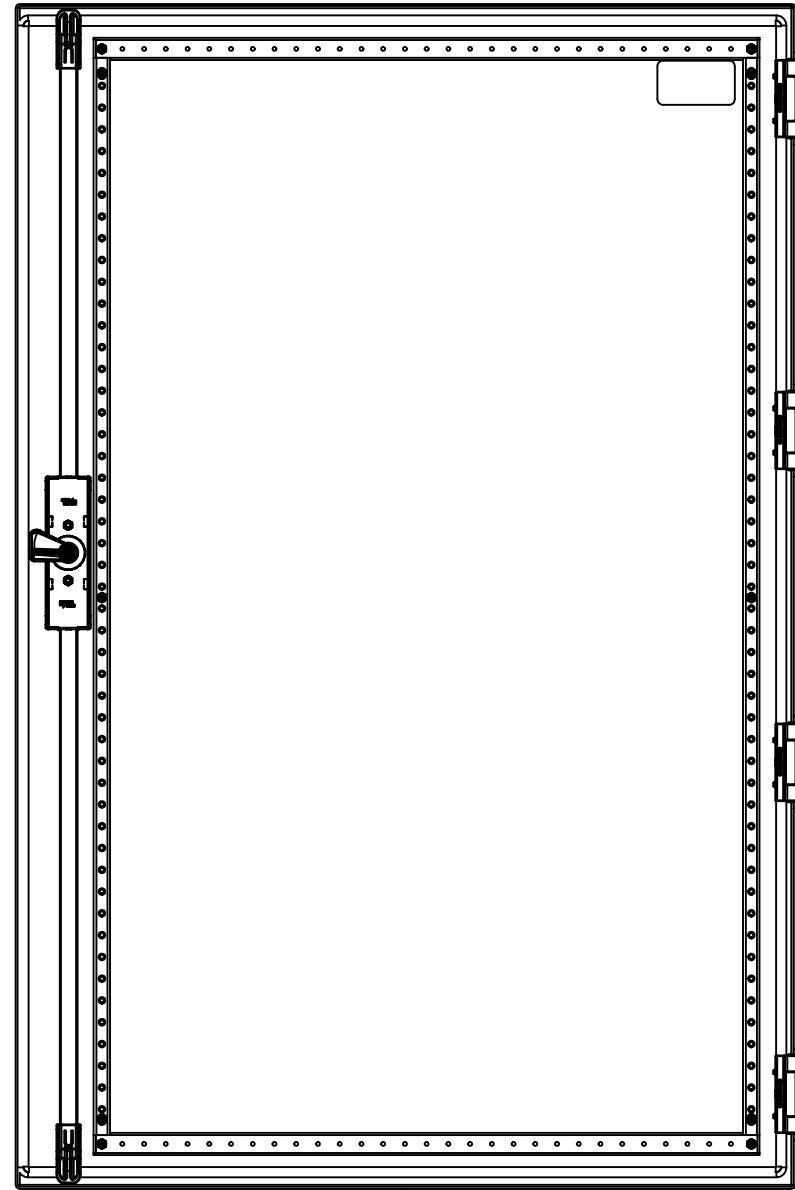


This drawing is confidential and must not be reproduced or used without the consent of EXM

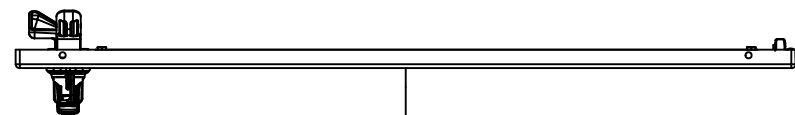
Ce dessin est confidentiel et ne doit pas être reproduit ou utilisé sans le consentement de EXM



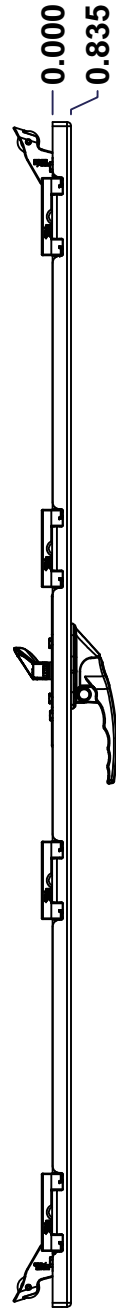
TOP



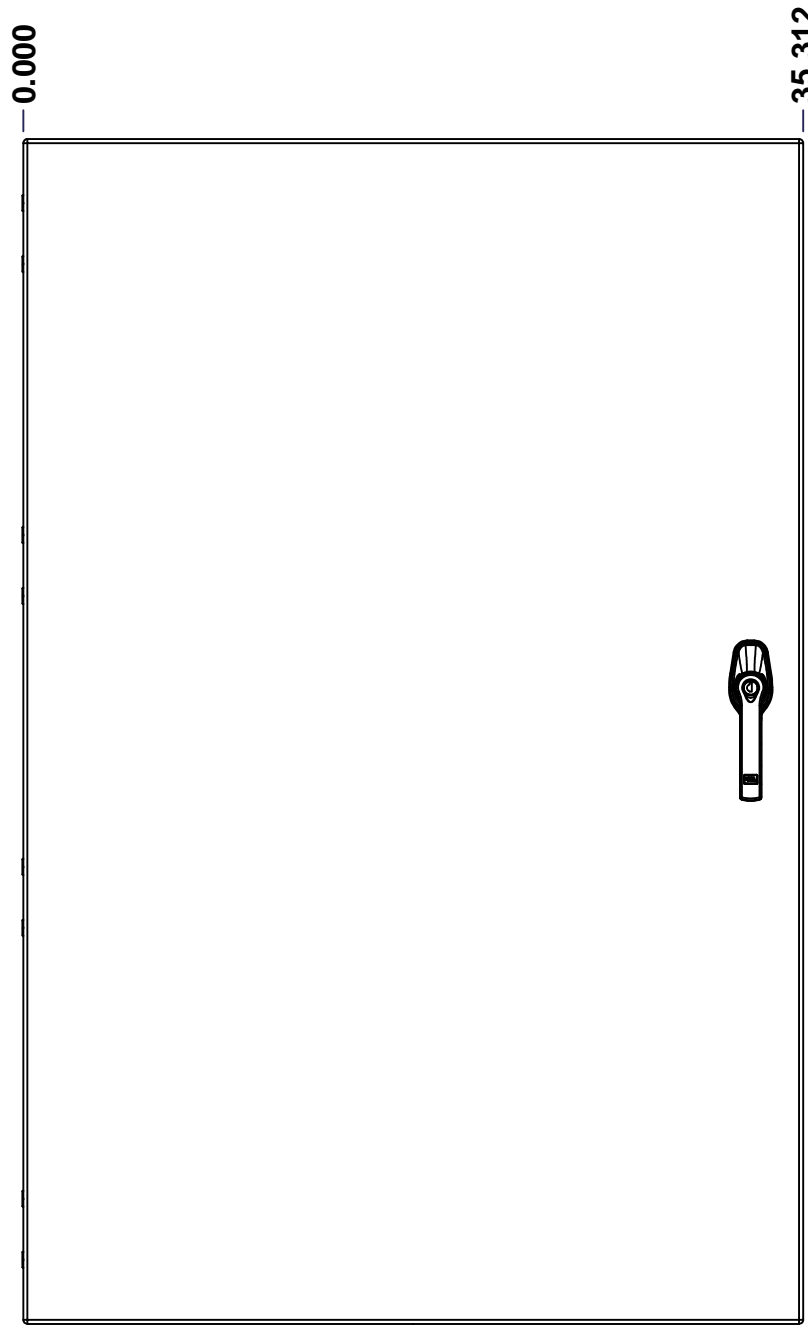
BACK



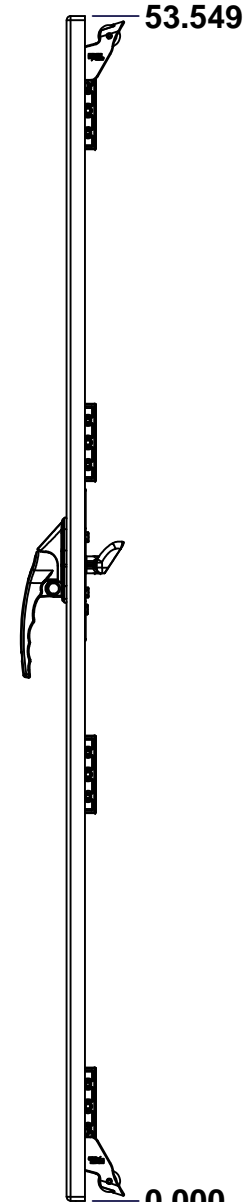
BOTTOM



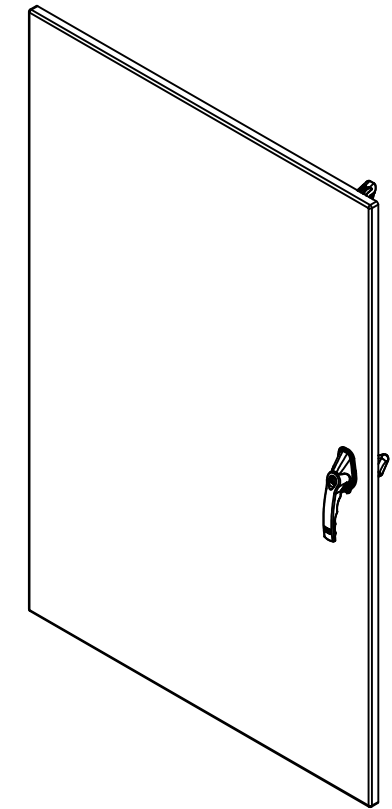
LEFT



FRONT




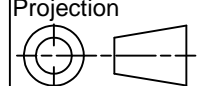
RIGHT



Isometric View



| No. | Revisions | Date | By/Par |
|-----|-----------|------|--------|
|     |           |      |        |
|     |           |      |        |
|     |           |      |        |
|     |           |      |        |

|  |   |   |
|--|---|---|
|  Tél: (450) 979-4373<br>Fax: (450) 979-4626<br><a href="http://www.exmweb.com">www.exmweb.com</a> |   | Flatness<br>Aplatissement<br>Max 3.0mm<br>Projection<br> |
| Customer Client  |   | Date  |
| Drawn By<br>Dessiné Par  | BoxCad: BoxCad                            | Date 12-Feb-13  |
| Material<br>Matière  | 12 Ga Cold Rolled A1008 CS Type B (2.5mm) |   |
| Color<br>Couleur   | Asa-61 Grey                               | Finish<br>Fini Smooth   |
| Description  | 9500 60" x 36" Cover                      |   |
| Part Number<br>Numéro Pièce  | 9500603624C                               | Detail Rev.<br>Rev. 1<br>0 3  |

SEE BILL OF MATERIAL ON LAST PAGE

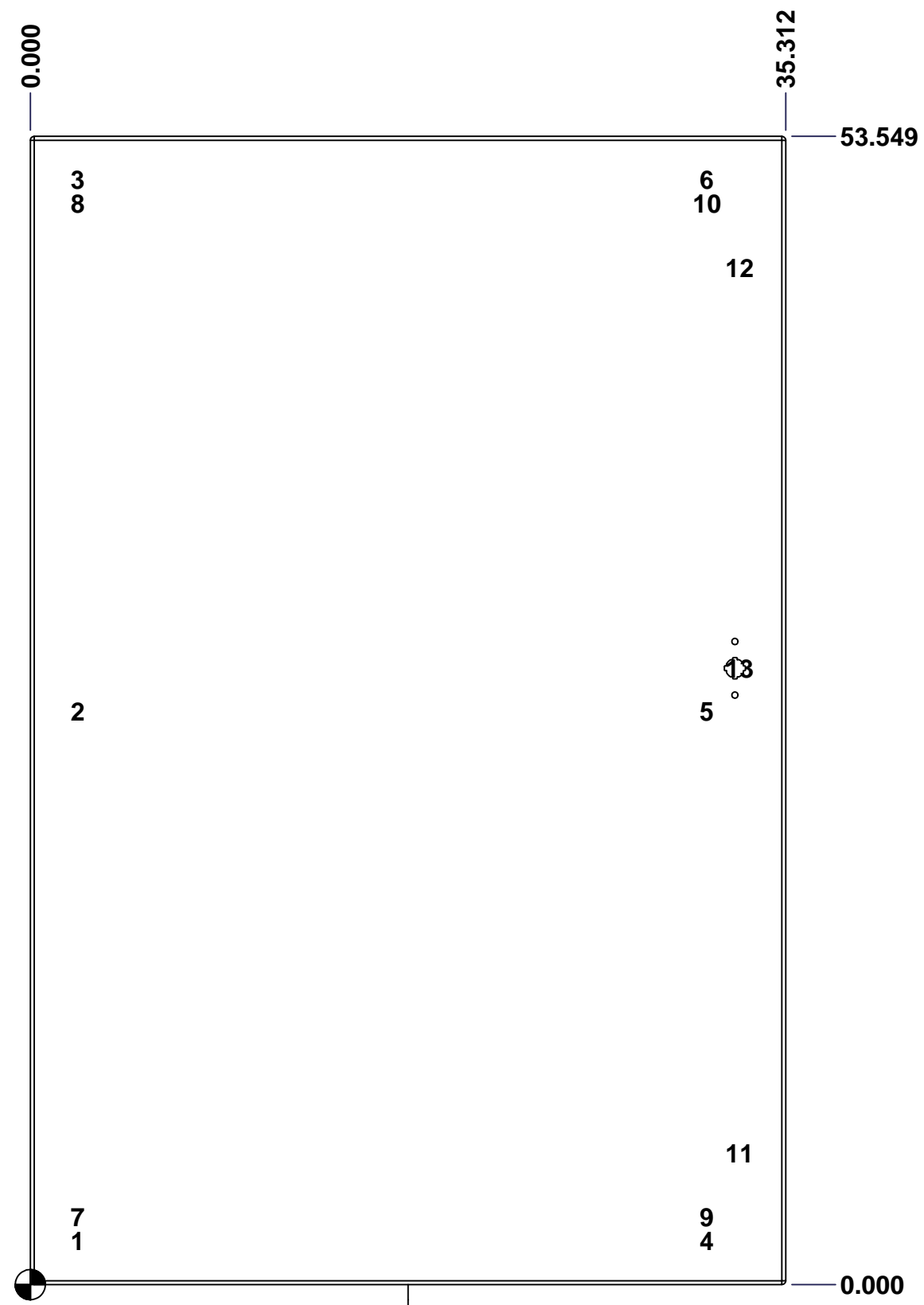
This drawing is confidential and must not be reproduced or used without the consent of EXM

Ce dessin est confidentiel et ne doit pas être reproduit ou utilisé sans le consentement de EXM

**STANDARD FEATURES ARE NOT LISTED IN THIS HOLE TABLE**

**HOLE TABLE - FRONT VIEW (CUSTOM FEATURE ONLY)**

| CUT-OUT | XDIM   | YDIM   | DESCRIPTION                  |
|---------|--------|--------|------------------------------|
| 1       | 2.000  | 2.028  | STUD M6 x 18mm (Inside)      |
| 2       | 2.000  | 26.722 | STUD M6 x 18mm (Inside)      |
| 3       | 2.000  | 51.521 | STUD M6 x 18mm (Inside)      |
| 4       | 31.407 | 2.028  | STUD M6 x 18mm (Inside)      |
| 5       | 31.407 | 26.722 | STUD M6 x 18mm (Inside)      |
| 6       | 31.407 | 51.521 | STUD M6 x 18mm (Inside)      |
| 7       | 2.000  | 3.139  | STUD M6 x 18mm (Inside)      |
| 8       | 2.000  | 50.409 | STUD M6 x 18mm (Inside)      |
| 9       | 31.407 | 3.139  | STUD M6 x 18mm (Inside)      |
| 10      | 31.407 | 50.409 | STUD M6 x 18mm (Inside)      |
| 11      | 32.937 | 6.118  | STUD M6 x 18mm (Inside)      |
| 12      | 32.937 | 47.430 | STUD M6 x 18mm (Inside)      |
| -----   | -----  | -----  | -----                        |
| 13      | 32.937 | 28.743 | HANDLE 885 ESL2A-APHK @ 0.0° |



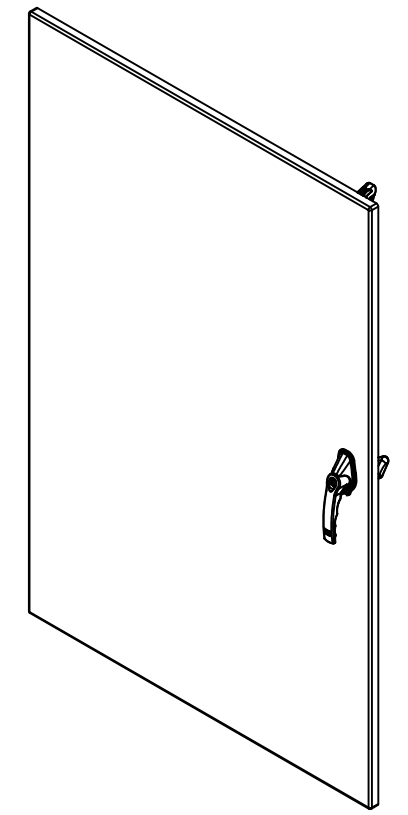
FRONT

|  |                             |          |
|--|-----------------------------|----------|
|  | Description                 | Status   |
|  | 9500 60" x 36" Cover        | (NULL)   |
|  | Part Number<br>Numéro Pièce | Rev.     |
|  | <b>9500603624C</b>          | <b>0</b> |
|  |                             | 2        |
|  |                             | 3        |

This drawing is confidential and must not be reproduced or used without the consent of EXM

Ce dessin est confidentiel et ne doit pas être reproduit ou utilisé sans le consentement de EXM

| No. | Revisions | Date | By/Par |
|-----|-----------|------|--------|
|     |           |      |        |
|     |           |      |        |
|     |           |      |        |
|     |           |      |        |
|     |           |      |        |



Isometric View



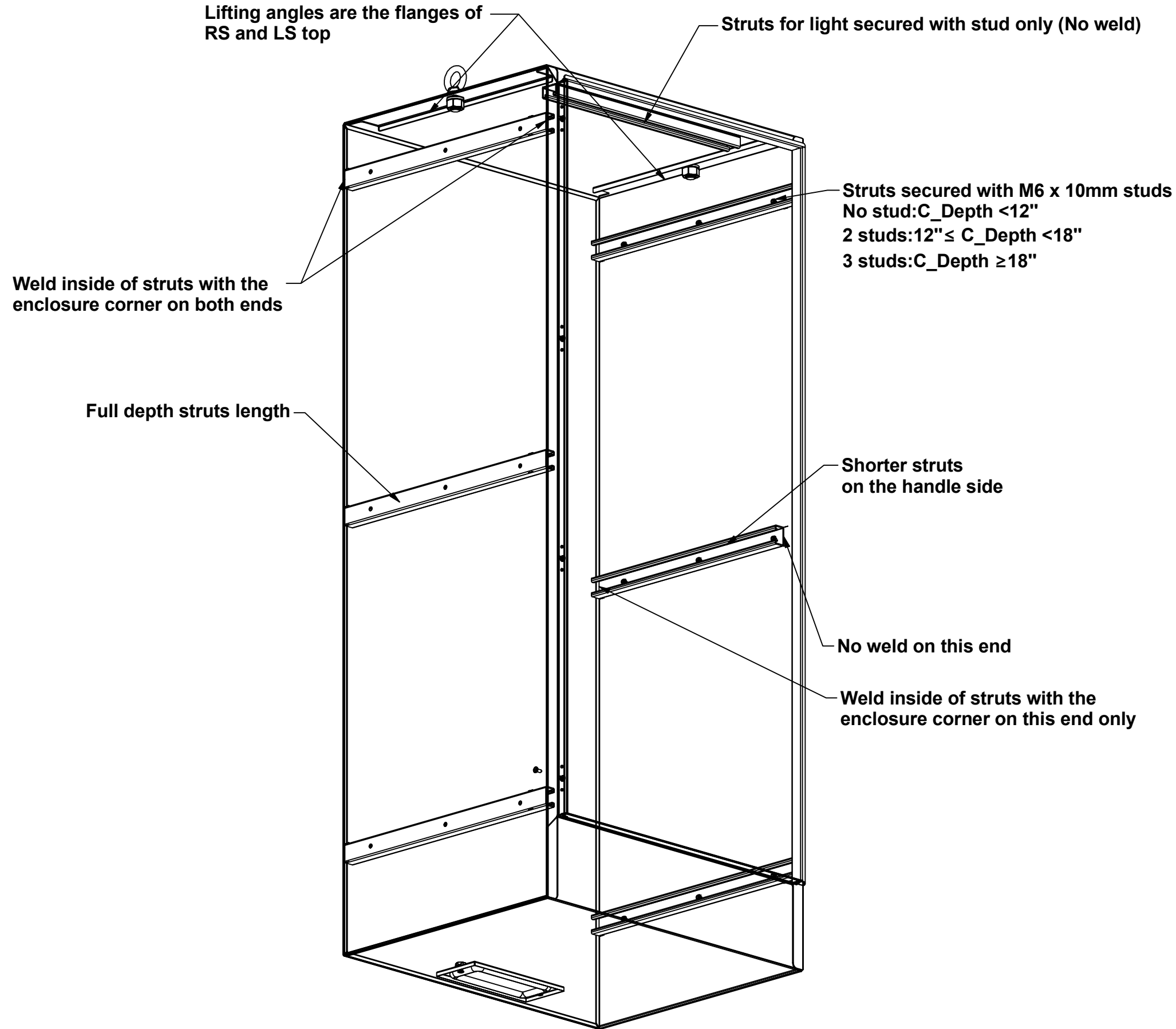
| Qty        | Part Name      | Rev | Description  |
|------------|----------------|-----|--|
| 1          | STK-Q-47526    | 1   | 9500 Lower Closing Bar 60"                               |
| 1          | STK-Q-47516    | 1   | 9500 Upper Closing Bar 60"                               |
| 1          | STK-A-03886-36 | 2   | Gearbox Clockwise Assembly (36.0mm)                      |
| 1          | 885ESL2A-APHK  | 6   | 885 ESL2A-APHK - Zinc Die Cast L-Handle Padlockable Assy |
| 1          | STK-P-02400S   | 0   | Powder Paint (Asa-61 Grey / Smooth)                      |
| 1          | STK-S-00100    | 0   | 3.5" x 2" Silver Milar Flexcon Sticker                   |
| 1          | 9500603624G    | 0   | 9500 60" x 36" Cover Gasket                              |
| 1          | STK-K-10820    | 3   | 9500 - Door Stiffener Assembly                           |
| 2          | STK-Q-16410    | 0   | Guide Stud - Largel (No Paint Cap Required)              |
| 10         | STK-Q-16055    | 1   | M6 x 18mm Stud (No Paint Cap Required)                   |
| 1          | 9500603624C-P  | 0   | 9500 60" x 36" Cover Part                                |
| 4          | STK-K-09860    | 7   | Cabinet Hinge with Captive Pins                          |
| 2          | STK-A-90025    | 0   | 9500 - Cabinet Closing Bar End (Large)                   |
| Qty        | Part Name      | Rev | Description  |
| Parts List |                |     |  |

|  |   |                       |
|--|---|-----------------------|
| Tél: (450) 979-4373<br>Fax: (450) 979-4626<br><a href="http://www.exmweb.com">www.exmweb.com</a> | Flatness<br>Aplatissement                 |                       |
|  | Max 3.0mm                                 |                       |
| Customer<br>Client   | Projection                                |                       |
|  |   |                       |
| Drawn By<br>Dessiné Par  | BoxCad: BoxCad                            | Date 12-Feb-13        |
| Material<br>Matière  | 12 Ga Cold Rolled A1008 CS Type B (2.5mm) |                       |
| Color<br>Couleur   | Asa-61 Grey                               | Finish<br>Fini Smooth |
| Description<br>9500 60" x 36" Cover  |   | Detail Rev.           |
| Part Number<br>Numéro Pièce<br><b>9500603624C</b>  |   | Rev. 3<br><b>0</b>    |

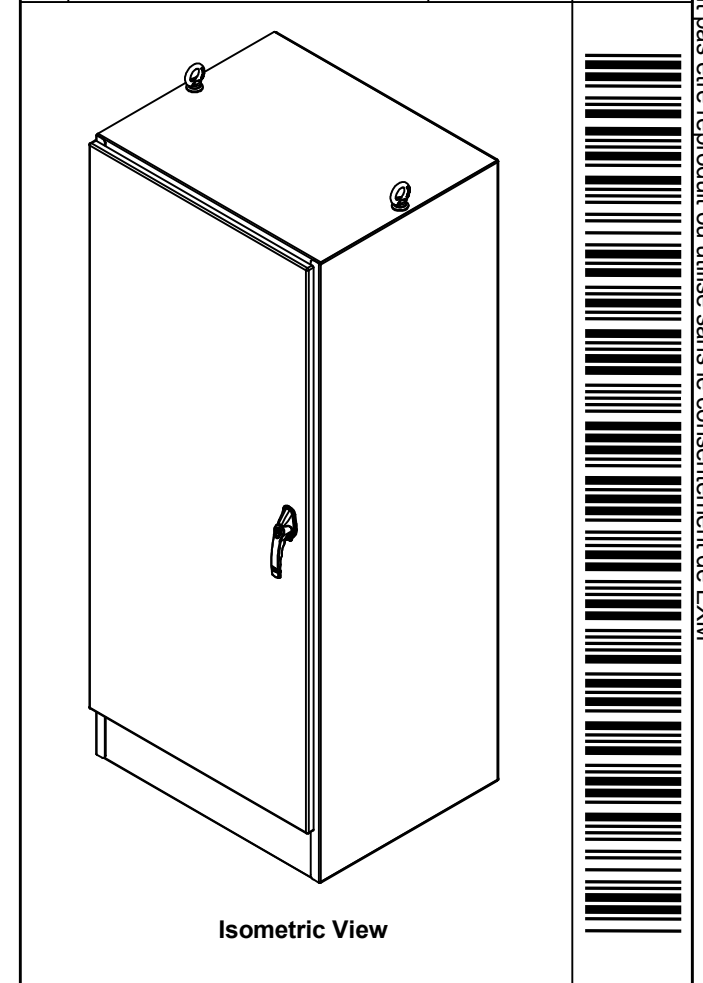
All knockouts are actual size / Les disques défonçables sont grandeur réel  
 All dimensions are before paint / Toutes les dimensions sont avant peinture

This drawing is confidential and must not be reproduced or used without the consent of EXM

Ce dessin est confidentiel et ne doit pas être reproduit ou utilisé sans le consentement de EXM



| No. | Revisions | Date | By/Par |
|-----|-----------|------|--------|
|     |           |      |        |
|     |           |      |        |
|     |           |      |        |
|     |           |      |        |
|     |           |      |        |



|  |                    |  |
|--|--------------------|--|
| Tél: (450) 979-4373<br>Fax: (450) 979-4626<br><a href="http://www.exmweb.com">www.exmweb.com</a> |                    | Flatness<br>Aplatissement<br>Max 3.0mm<br>Projection<br> |
| Customer Client  | Date               |  |
| Drawn By / Dessiné Par: PatrickD   | Date: 3/9/2020     |  |
| Material / Matière   | N/A                |  |
| Color / Couleur: N/A   | Finish / Fini: N/A |  |
| Description: 9500 Welding Detail   | Detail Rev.        |  |
| Part Number / Numéro Pièce: 9500_WELDING_DETAIL  | Rev. 0             | 1 / 1  |