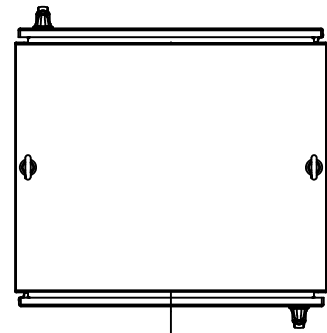
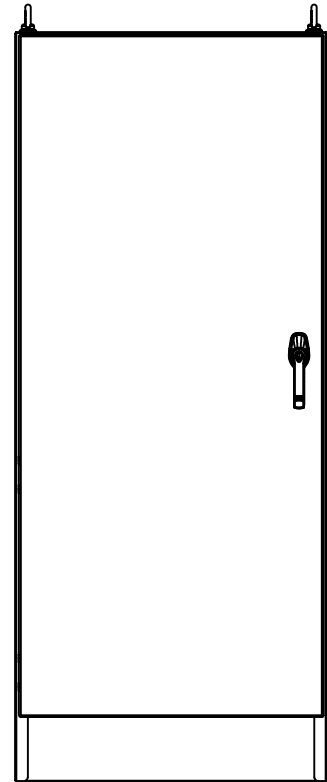


This drawing is confidential and must not be reproduced or used without the consent of EXM

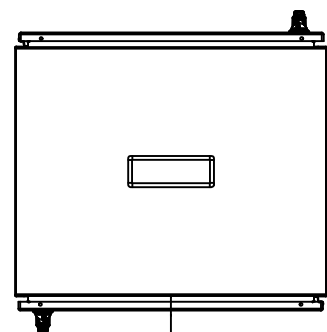
Ce dessin est confidentiel et ne doit pas être reproduit ou utilisé sans le consentement de EXM



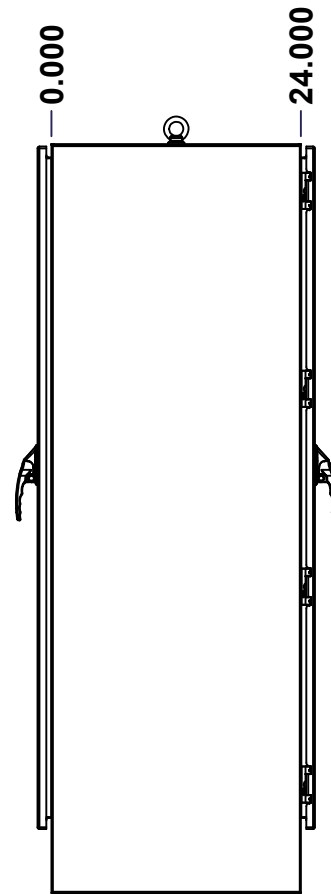
TOP



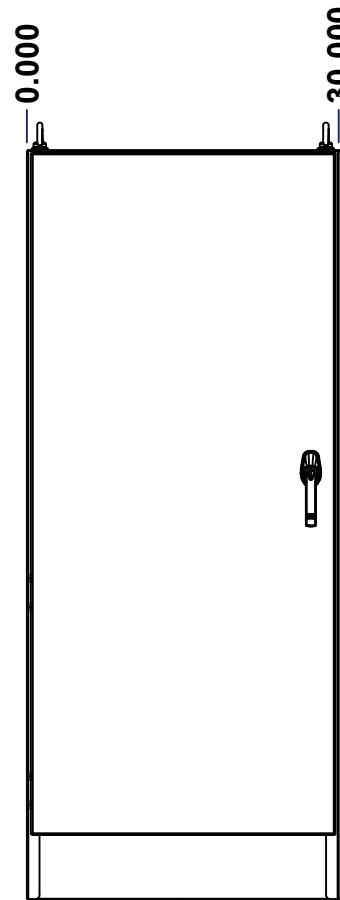
BACK



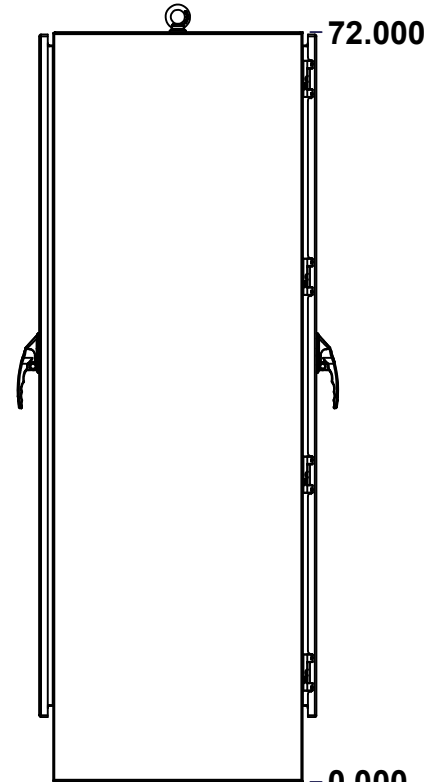
BOTTOM



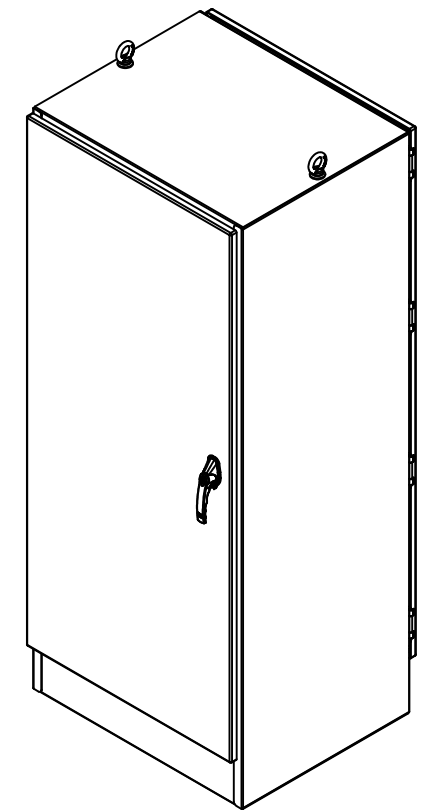
LEFT



FRONT




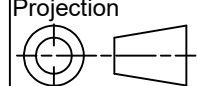
RIGHT



Isometric View



No.	Revisions	Date	By/Par

 Tél: (450) 979-4373 Fax: (450) 979-4626 www.exmweb.com		Flatness Aplatissement Max 3.0mm Projection 
Customer Client	Date	Date
Drawn By Dessiné Par	BoxCad: BoxCad	25-Aug-14
Material Matière	12 Ga Cold Rolled A1008 CS Type B (2.5mm)	
Color Couleur	Asa-61 Grey	Finish Fini: Smooth
Description	9500DA 72" x 30" x 24" Assembly	
Part Number Numéro Pièce	9500DA723024	Detail Rev. Rev. 1 0 2

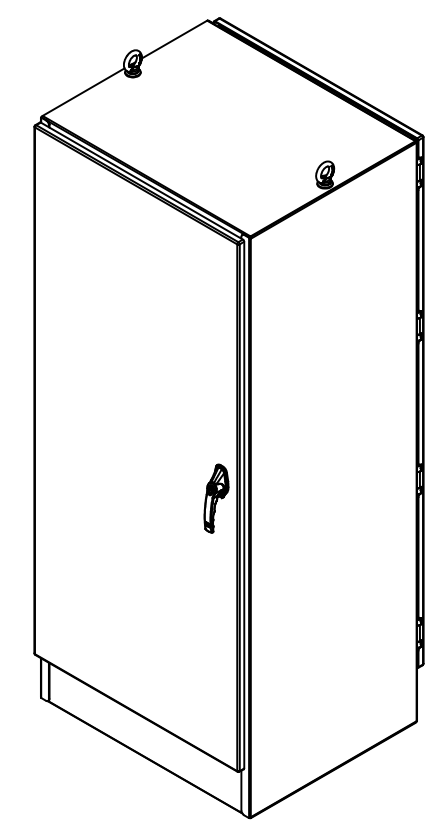
SEE BILL OF MATERIAL ON LAST PAGE

This drawing is confidential and must not be reproduced or used without the consent of EXM

Ce dessin est confidentiel et ne doit pas être reproduit ou utilisé sans le consentement de EXM

NOTE	
ITEM	DESCRIPTION
1	NEMA 12/13 Enclosure
2	C/W Standard ground studs on box and cover
3	C/W Standard door stiffener
4	W/O Inner panel
5	C/W Standard inner panel mounting struts
6	C/W Struts installed (Included)
7	C/W Eyebolts

No.	Revisions	Date	By/Par



Isometric View

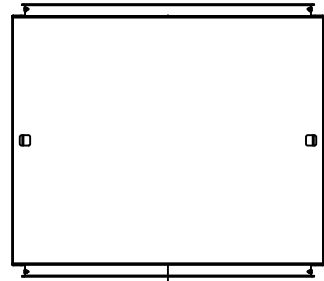
PACKING		
ITEM	QTY	DESCRIPTION
Cardboard sleeve	2	Top and Bottom
Cardboard strip	2	Between back of enclosure and inner panel
Plastic bag	1	To protect cover surface and inside gasket
Cardboard corner	4	To reinforced for the plastic strap tightening
Plastic strap - Black	2	To Squeeze 2 cardboard sleeve together
Packaging label	3	White label with PN
Plastic strap- Green	2	To secure the enclosure to the wood pallet
Wood Pallet	1	2" deeper and 3" larger than enclosure size

Qty	Part Number	Rev	Description
1	9500DA723024GP	0	9500DA Gland Plate
1	880EB14	2	Eye Bolt M14 (Pack of 2)
1	9500DA723024D	0	9500DA 72" x 30" Back Cover
1	9500DA723024C	0	9500DA 72" x 30" Front Cover
1	9500DA723024B	0	9500DA 72" x 30" x 24" Body
8	STK-Q-04050-10	8	M6 x 10mm Hexagon Socket Head Machine Screw with Nyseal
Parts List			

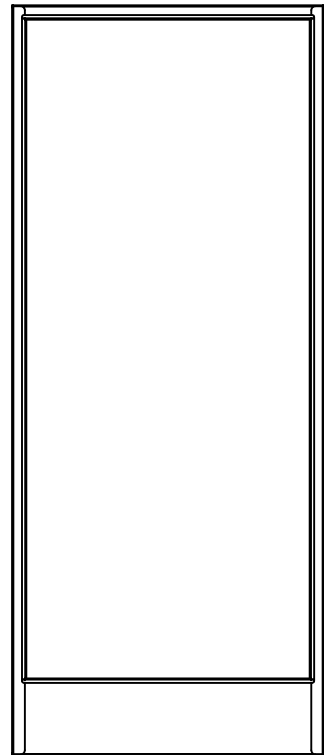
		Tél: (450) 979-4373 Fax: (450) 979-4626 www.exmweb.com		Flatness Aplatissement Max 3.0mm
Customer Client		Date		
Drawn By Dessiné Par BoxCad: BoxCad		Date 25-Aug-14		
Material Matière 12 Ga Cold Rolled A1008 CS Type B (2.5mm)		Color Couleur Asa-61 Grey		Finish Fini Smooth
Description 9500DA 72" x 30" x 24" Assembly			Detail Rev.	
Part Number Numéro Pièce 9500DA723024			Rev. 0	2 / 2

This drawing is confidential and must not be reproduced or used without the consent of EXM

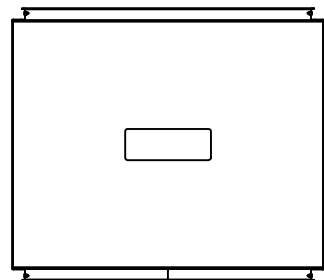
Ce dessin est confidentiel et ne doit pas être reproduit ou utilisé sans le consentement de EXM



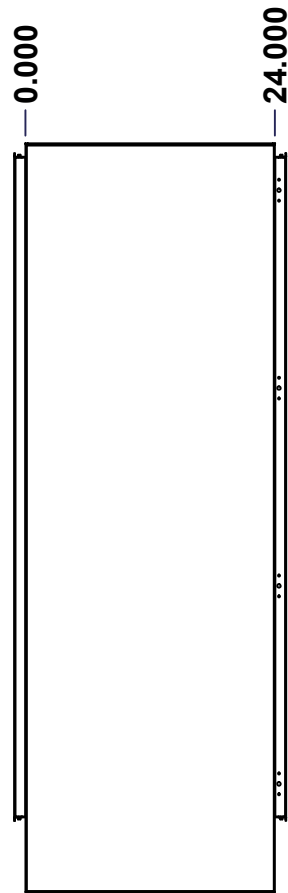
TOP



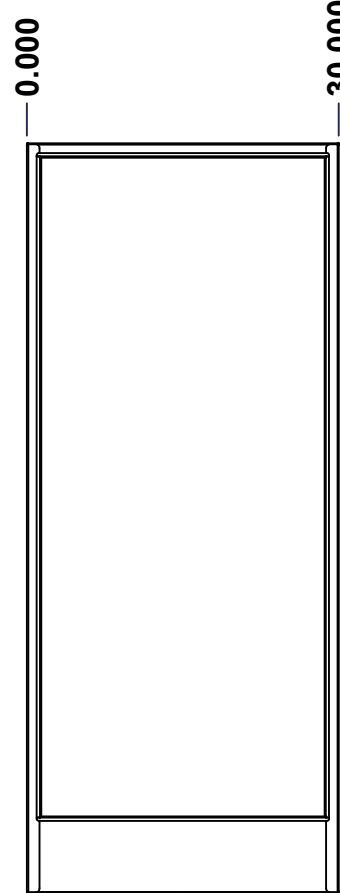
BACK



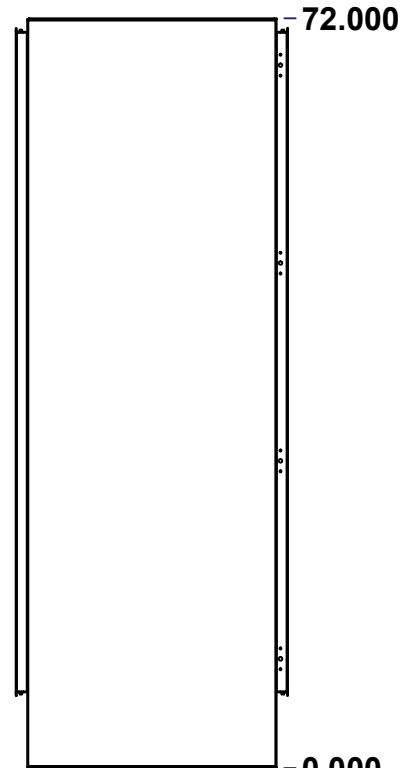
BOTTOM



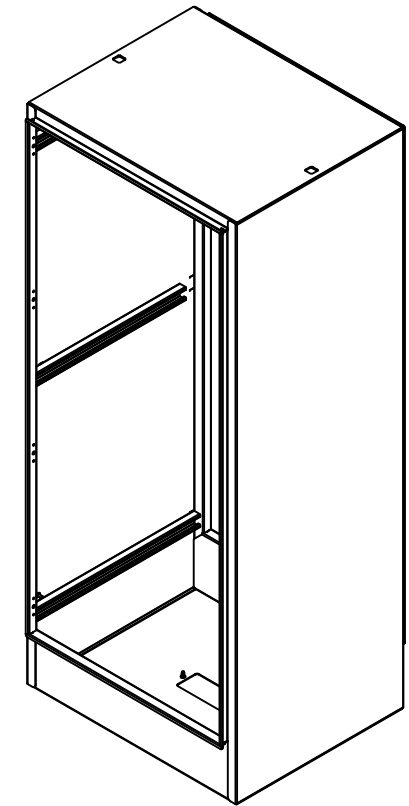
LEFT



FRONT




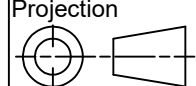
RIGHT



Isometric View



No.	Revisions	Date	By/Par

 Tél: (450) 979-4373 Fax: (450) 979-4626 www.exmweb.com		Flatness Aplatissement Max 3.0mm Projection 
Customer Client	Date	
Drawn By Dessiné Par	BoxCad: BoxCad	Date 25-Aug-14
Material Matière	12 Ga Cold Rolled A1008 CS Type B (2.5mm)	
Color Couleur	Asa-61 Grey	Finish Fini Smooth
Description	Detail Rev.	
9500DA 72" x 30" x 24" Body		
Part Number Numéro Pièce	Rev. 0	1 2
9500DA723024B		

SEE BILL OF MATERIAL ON LAST PAGE

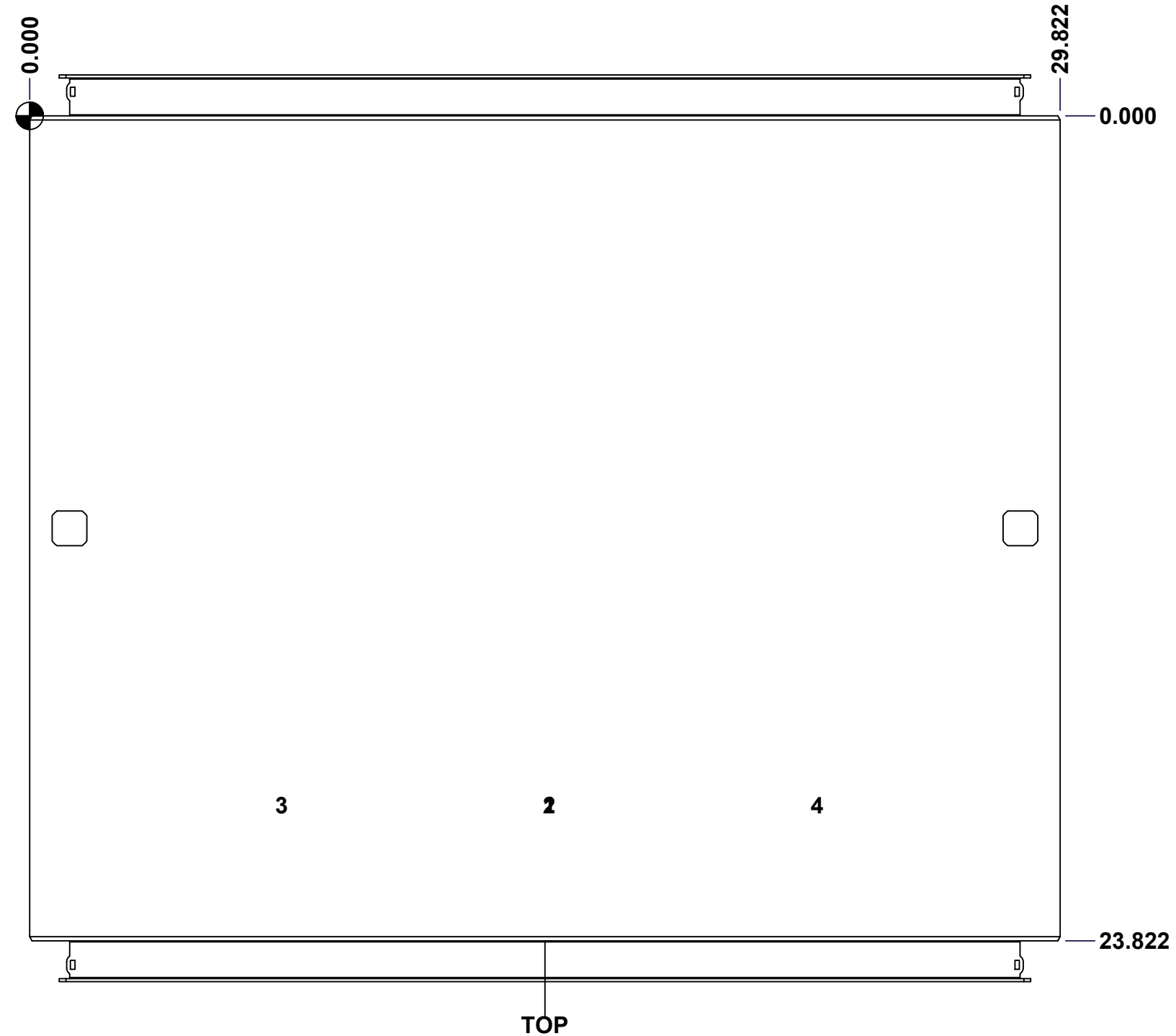
This drawing is confidential and must not be reproduced or used without the consent of EXM

Ce dessin est confidentiel et ne doit pas être reproduit ou utilisé sans le consentement de EXM

STANDARD FEATURES ARE NOT LISTED IN THIS HOLE TABLE

HOLE TABLE - TOP VIEW (CUSTOM FEATURE ONLY)

CUT-OUT	XDIM	YDIM	DESCRIPTION
1	14.911	20.000	Struts CR400 21.500" (Inside)
2	14.911	20.000	STUDS M6 x 10mm (Inside)
3	7.161	20.000	STUDS M6 x 10mm (Inside)
4	22.661	20.000	STUDS M6 x 10mm (Inside)



	Description	Status	
	9500DA 72" x 30" x 24" Body	Released	
	Part Number Numéro Pièce	Rev.	
	9500DA723024B	0	2 / 7

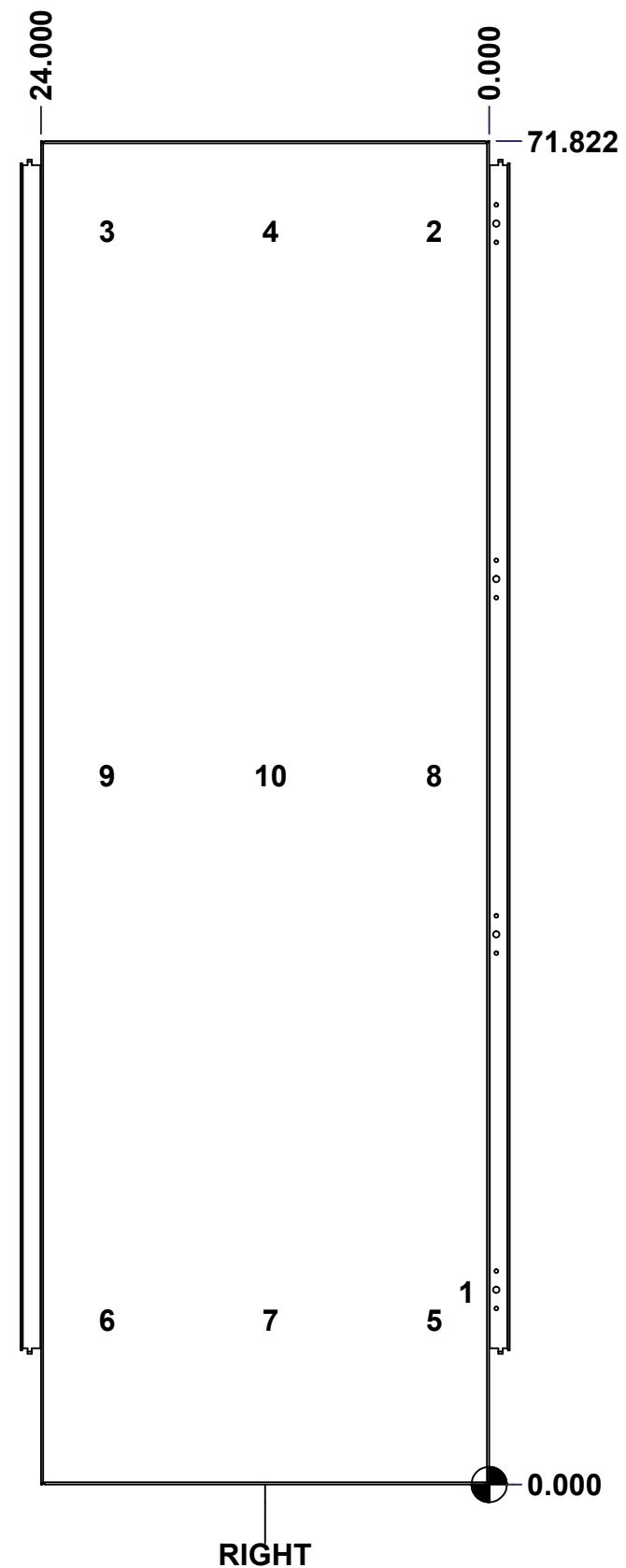
This drawing is confidential and must not be reproduced or used without the consent of EXM

Ce dessin est confidentiel et ne doit pas être reproduit ou utilisé sans le consentement de EXM

STANDARD FEATURES ARE NOT LISTED IN THIS HOLE TABLE

HOLE TABLE - RIGHT VIEW (CUSTOM FEATURE ONLY)

CUT-OUT	XDIM	YDIM	DESCRIPTION
1	1.500	10.286	GND STUD M6 x 16mm (Inside)
2	3.250	67.036	STUDS M6 x 10mm (Inside)
3	20.750	67.036	STUDS M6 x 10mm (Inside)
4	12.000	67.036	STUDS M6 x 10mm (Inside)
5	3.250	8.786	STUDS M6 x 10mm (Inside)
6	20.750	8.786	STUDS M6 x 10mm (Inside)
7	12.000	8.786	STUDS M6 x 10mm (Inside)
8	3.250	37.911	STUDS M6 x 10mm (Inside)
9	20.750	37.911	STUDS M6 x 10mm (Inside)
10	12.000	37.911	STUDS M6 x 10mm (Inside)



	Description	Status	
	9500DA 72" x 30" x 24" Body	Released	
	Part Number Numéro Pièce	Rev.	
	9500DA723024B	0	3 / 7

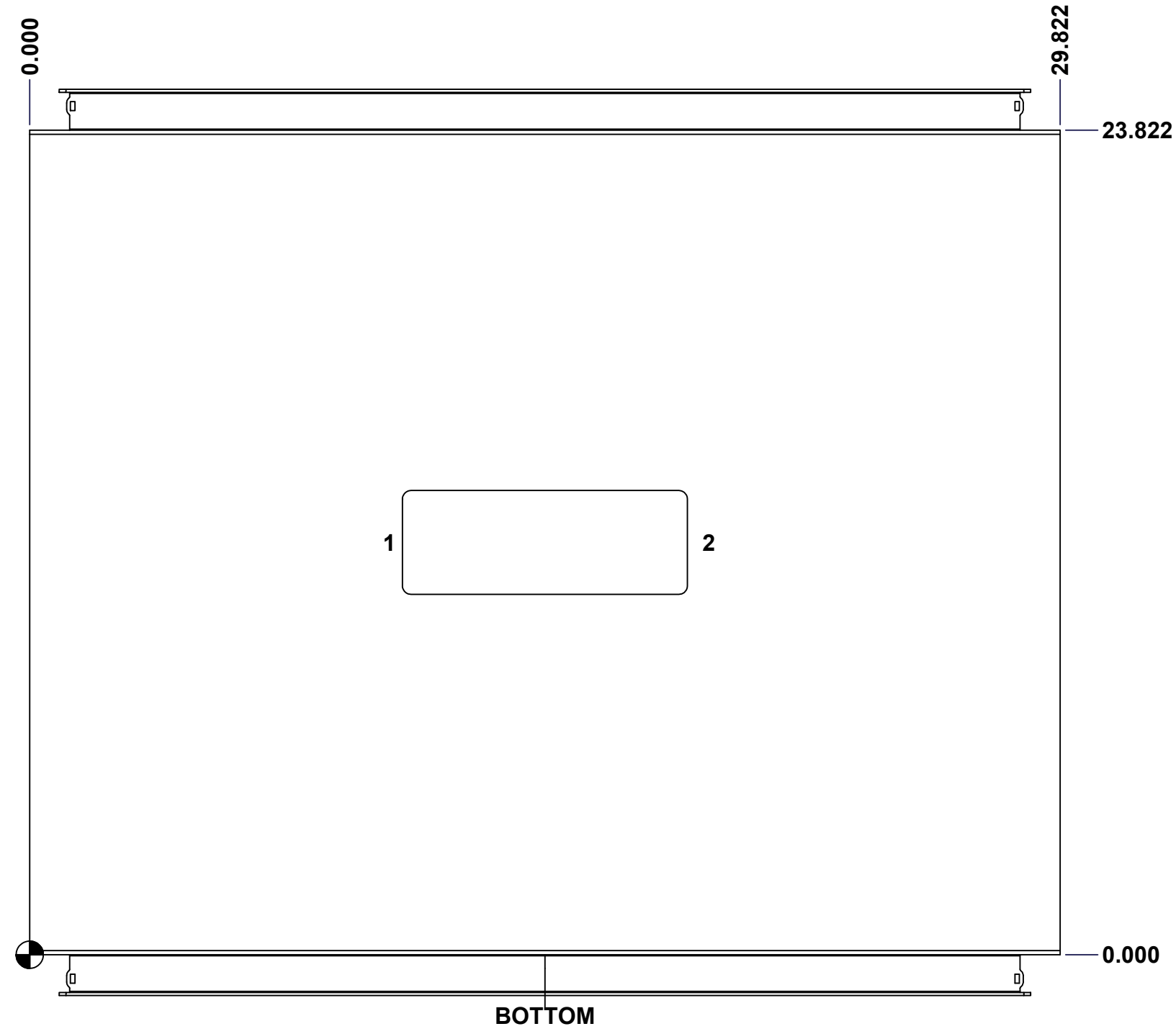
This drawing is confidential and must not be reproduced or used without the consent of EXM

Ce dessin est confidentiel et ne doit pas être reproduit ou utilisé sans le consentement de EXM

STANDARD FEATURES ARE NOT LISTED IN THIS HOLE TABLE

HOLE TABLE - BOTTOM VIEW (CUSTOM FEATURE ONLY)

CUT-OUT	XDIM	YDIM	DESCRIPTION
1	10.286	12.000	GP STUD M6 x 16mm (Inside)
2	19.536	12.000	GP STUD M6 x 16mm (Inside)



	Description	Status	
	9500DA 72" x 30" x 24" Body	Released	
	Part Number Numéro Pièce	Rev.	
	9500DA723024BB	0	4 / 7

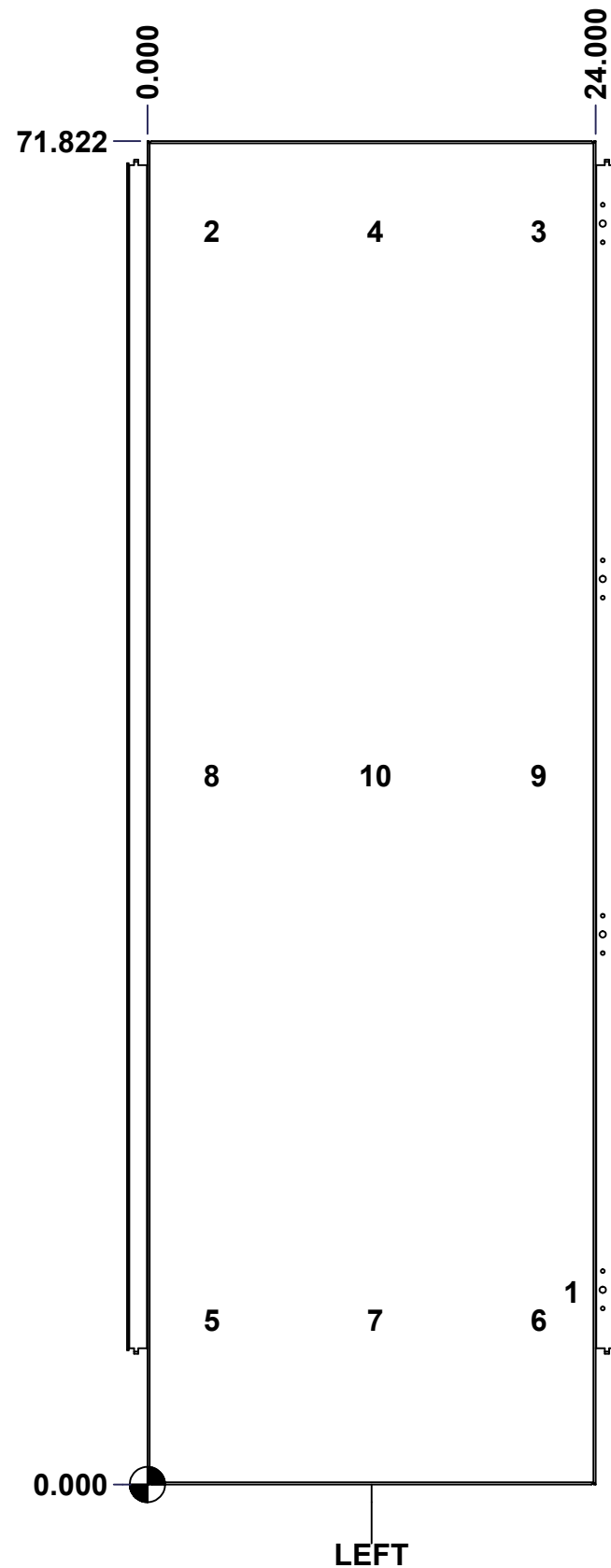
This drawing is confidential and must not be reproduced or used without the consent of EXM

Ce dessin est confidentiel et ne doit pas être reproduit ou utilisé sans le consentement de EXM

STANDARD FEATURES ARE NOT LISTED IN THIS HOLE TABLE

HOLE TABLE - LEFT VIEW (CUSTOM FEATURE ONLY)

CUT-OUT	XDIM	YDIM	DESCRIPTION
1	22.411	10.286	GND STUD M6 x 16mm (Inside)
2	3.161	67.036	STUDS M6 x 10mm (Inside)
3	20.661	67.036	STUDS M6 x 10mm (Inside)
4	11.911	67.036	STUDS M6 x 10mm (Inside)
5	3.161	8.786	STUDS M6 x 10mm (Inside)
6	20.661	8.786	STUDS M6 x 10mm (Inside)
7	11.911	8.786	STUDS M6 x 10mm (Inside)
8	3.161	37.911	STUDS M6 x 10mm (Inside)
9	20.661	37.911	STUDS M6 x 10mm (Inside)
10	11.911	37.911	STUDS M6 x 10mm (Inside)

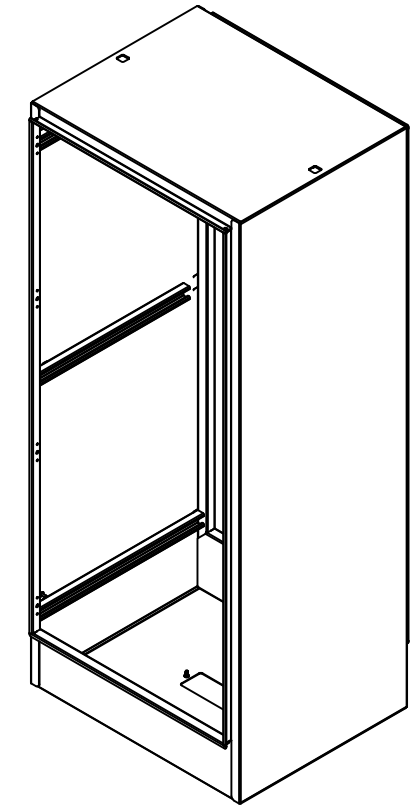


	Description	Status	
	9500DA 72" x 30" x 24" Body	Released	
	Part Number Numéro Pièce	Rev.	5
	9500DA723024B	0	7

This drawing is confidential and must not be reproduced or used without the consent of EXM

Ce dessin est confidentiel et ne doit pas être reproduit ou utilisé sans le consentement de EXM

No.	Revisions	Date	By/Par



Isometric View



21	STK-Q-16030	0	Stud M6 x 10mm
1	CR400MS_21.5	0	Commercial Roll Mild Steel (21.5in long)
1	STK-P-02400S	0	Powder Paint (Asa-61 Grey / Smooth)
2	STK-Q-52200-24	2	Sasco Strut S5 (21.500" Long)
4	STK-Q-52250-24	2	Sasco Strut S5 (23.500" Long)
1	9500DA723024RS-P	0	9500DA 72" x 30" Right Part
1	9500DA723024BT-P	0	9500DA 30" x 24" Bottom Part
1	9500DA723024LS-P	0	9500DA 72" x 30" Left Part
1	9500DA723024T-P	0	9500DA 30" x 24" Top Part
21	STK-Q-07220	1	M6 Nylon Insert Lock Nut
4	STK-Q-16080	0	Ground Stud M6 x 16mm
Qty	Part Number	Rev	Description
Parts List			

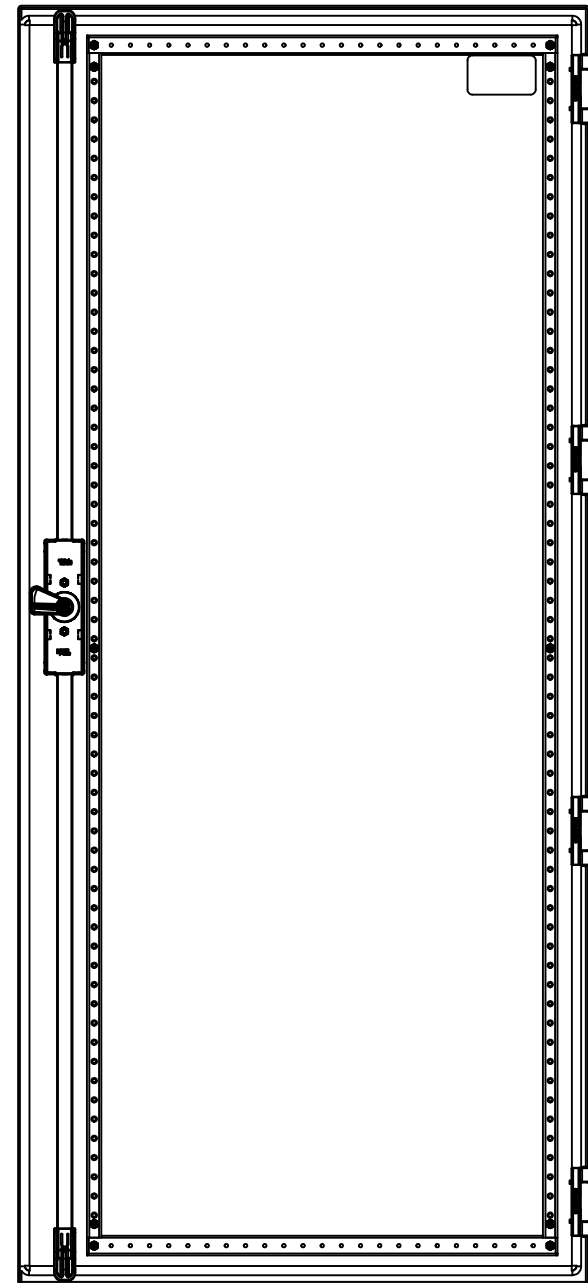
	Tél: (450) 979-4373 Fax: (450) 979-4626 www.exmweb.com	Flatness Aplatissement Max 3.0mm
	Projection 	Customer Client
Drawn By Dessiné Par	BoxCad: BoxCad	Date 25-Aug-14
Material Matière	12 Ga Cold Rolled A1008 CS Type B (2.5mm)	
Color Couleur	Asa-61 Grey	Finish Fini Smooth
Description 9500DA 72" x 30" x 24" Body	Detail Rev.	
Part Number Numéro Pièce 9500DA723024B	Rev. 0	2 / 2

This drawing is confidential and must not be reproduced or used without the consent of EXM

Ce dessin est confidentiel et ne doit pas être reproduit ou utilisé sans le consentement de EXM



TOP

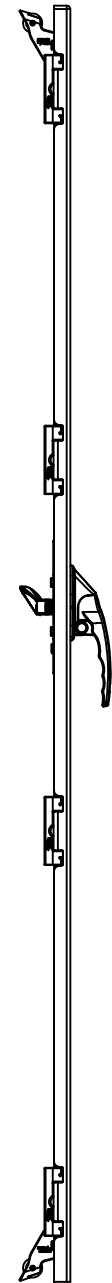


BACK



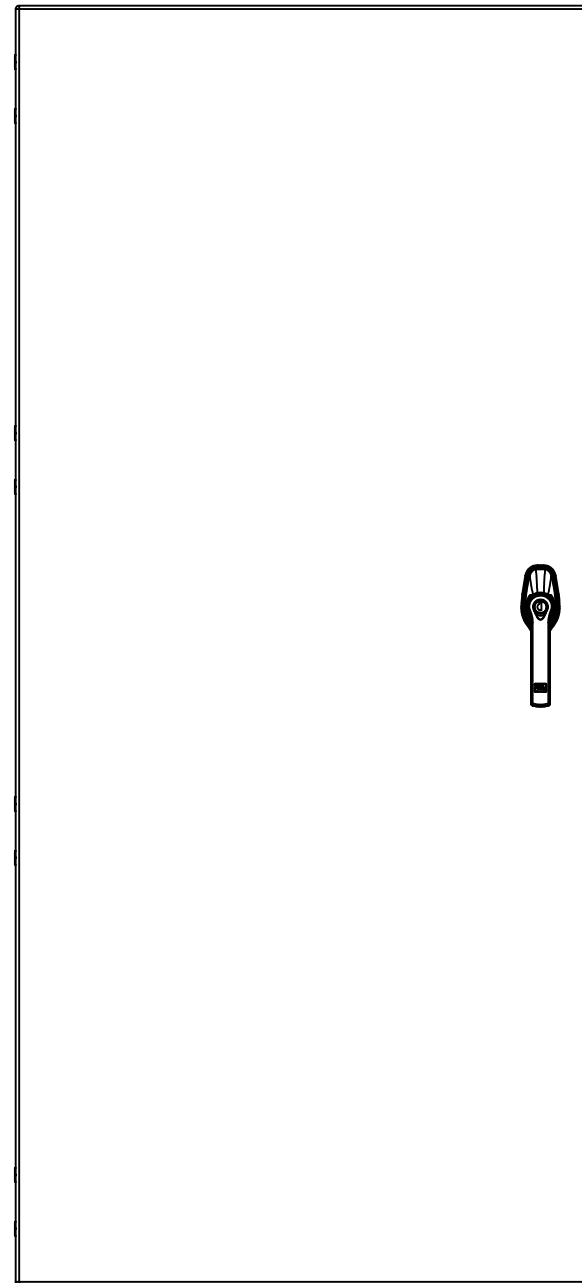
BOTTOM

0.000
0.835



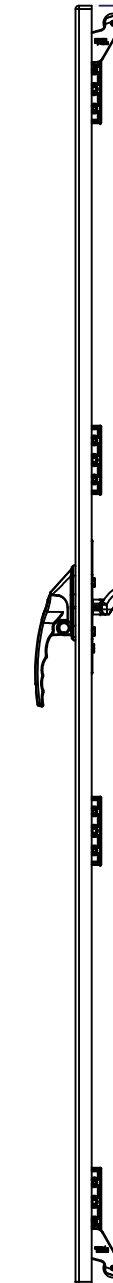
LEFT

0.000
29.312



FRONT

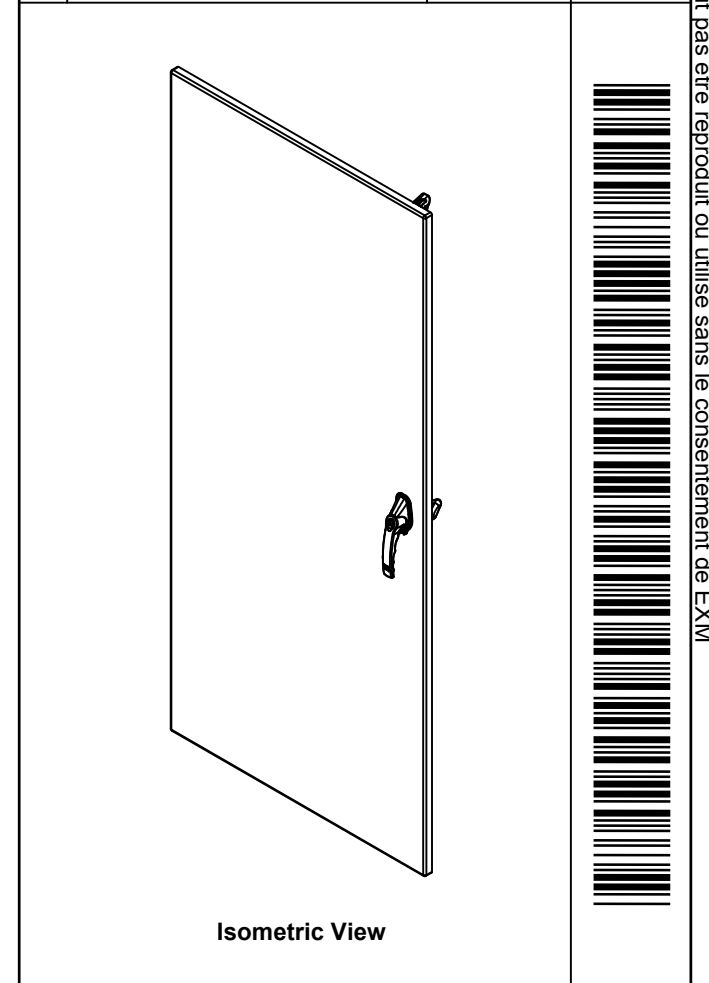
65.549




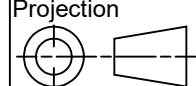
RIGHT

0.000

No.	Revisions	Date	By/Par



Isometric View

 Tél: (450) 979-4373 Fax: (450) 979-4626 www.exmweb.com		Flatness Aplatissement Max 3.0mm Projection 
Customer Client	BoxCad: BoxCad	Date 25-Aug-14
Material Matière	12 Ga Cold Rolled A1008 CS Type B (2.5mm)	
Color Couleur	Asa-61 Grey	Finish Fini Smooth
Description	9500DA 72" x 30" Front Cover	
Part Number Numéro Pièce	9500DA723024C	Rev. 0
		1 3

SEE BILL OF MATERIAL ON LAST PAGE

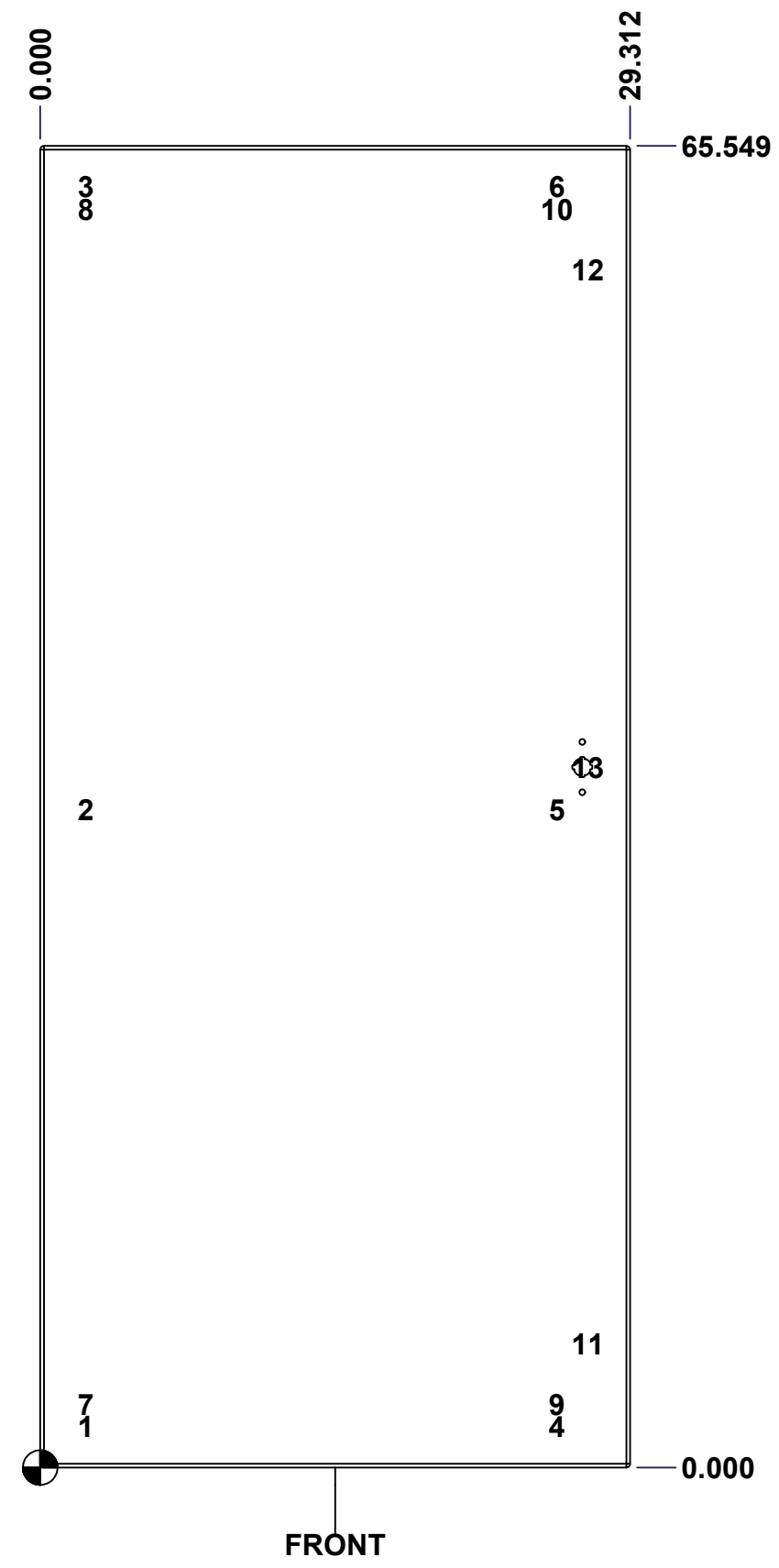
This drawing is confidential and must not be reproduced or used without the consent of EXM

Ce dessin est confidentiel et ne doit pas être reproduit ou utilisé sans le consentement de EXM

STANDARD FEATURES ARE NOT LISTED IN THIS HOLE TABLE

HOLE TABLE - FRONT VIEW (CUSTOM FEATURE ONLY)

CUT-OUT	XDIM	YDIM	DESCRIPTION
1	2.000	2.028	STUD M6 x 18mm (Inside)
2	2.000	32.628	STUD M6 x 18mm (Inside)
3	2.000	63.521	STUD M6 x 18mm (Inside)
4	25.407	2.028	STUD M6 x 18mm (Inside)
5	25.407	32.628	STUD M6 x 18mm (Inside)
6	25.407	63.521	STUD M6 x 18mm (Inside)
7	2.000	3.139	STUD M6 x 18mm (Inside)
8	2.000	62.409	STUD M6 x 18mm (Inside)
9	25.407	3.139	STUD M6 x 18mm (Inside)
10	25.407	62.409	STUD M6 x 18mm (Inside)
11	26.937	6.118	STUD M6 x 18mm (Inside)
12	26.937	59.430	STUD M6 x 18mm (Inside)
-----	-----	-----	-----
13	26.937	34.743	HANDLE 885 ESL2A-APHK @ 0.0°

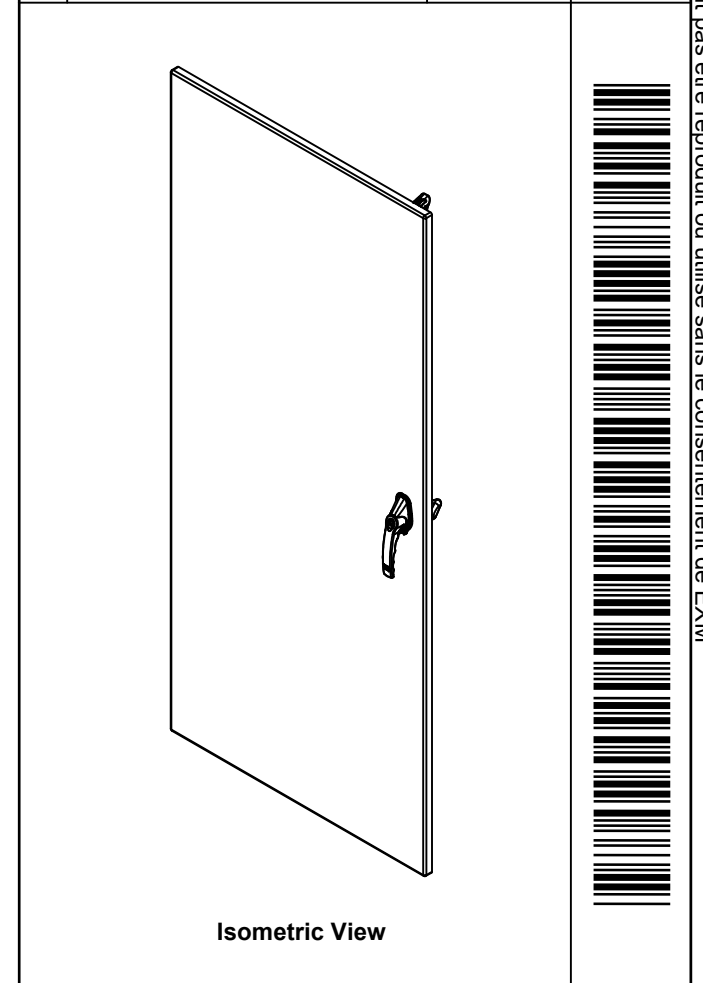


	Description	Status
	9500DA 72" x 30" Front Cover	(NULL)
	Part Number Numéro Pièce	Rev.
	9500DA723024C	0
		2
		3

This drawing is confidential and must not be reproduced or used without the consent of EXM


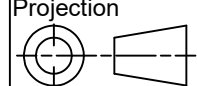
Ce dessin est confidentiel et ne doit pas être reproduit ou utilisé sans le consentement de EXM

No.	Revisions	Date	By/Par



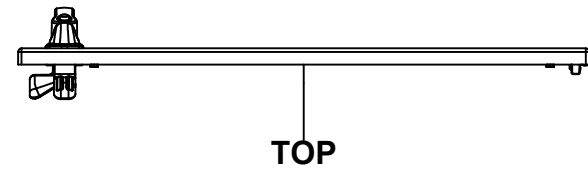
Qty	Part Name	Rev	Description
1	STK-Q-47527	1	9500 Lower Closing Bar 72"
1	STK-Q-47517	1	9500 Upper Closing Bar 72"
1	STK-A-03886-36	2	Gearbox Clockwise Assembly (36.0mm)
1	885ESL2A-APHK	6	885 ESL2A-APHK - Zinc Die Cast L-Handle Padlockable Assy
1	STK-P-02400S	0	Powder Paint (Asa-61 Grey / Smooth)
1	STK-S-00100	0	3.5" x 2" Silver Milar Flexcon Sticker
1	9500DA723024G	0	9500DA 72" x 30" Cover Gasket
1	STK-K-10840	3	9500 - Door Stiffener Assembly
2	STK-Q-16410	0	Guide Stud - Largel (No Paint Cap Required)
10	STK-Q-16055	1	M6 x 18mm Stud (No Paint Cap Required)
1	9500DA723024C-P	0	9500DA 72" x 30" Front Cover Part
4	STK-K-09860	7	Cabinet Hinge with Captive Pins
2	STK-A-90025	0	9500 - Cabinet Closing Bar End (Large)

Parts List

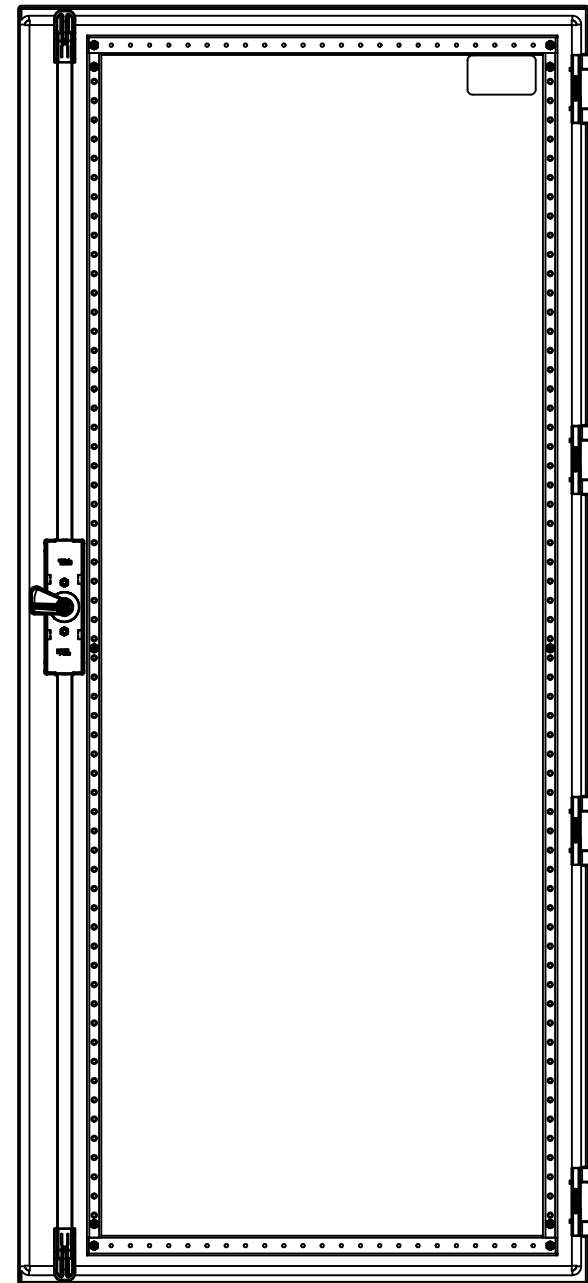
 Tél: (450) 979-4373 Fax: (450) 979-4626 www.exmweb.com		Flatness Aplatissement Max 3.0mm Projection 
Customer Client	Date	Date 25-Aug-14
Drawn By Dessiné Par	BoxCad: BoxCad	
Material Matière	12 Ga Cold Rolled A1008 CS Type B (2.5mm)	
Color Couleur	Asa-61 Grey	Finish Fini Smooth
Description	9500DA 72" x 30" Front Cover	
Part Number Numéro Pièce	Rev. 0	3 / 3
9500DA723024C		

This drawing is confidential and must not be reproduced or used without the consent of EXM

Ce dessin est confidentiel et ne doit pas être reproduit ou utilisé sans le consentement de EXM



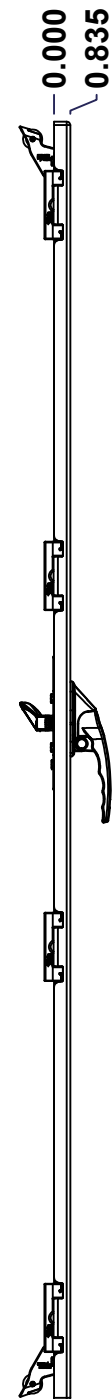
TOP



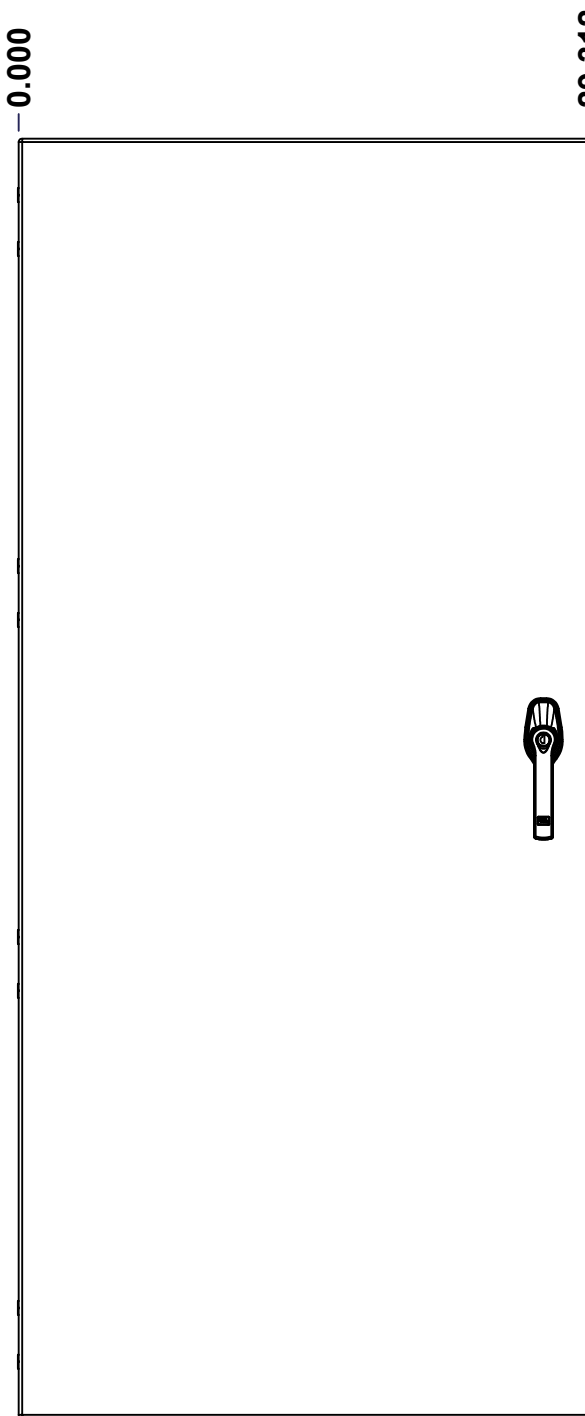
BACK



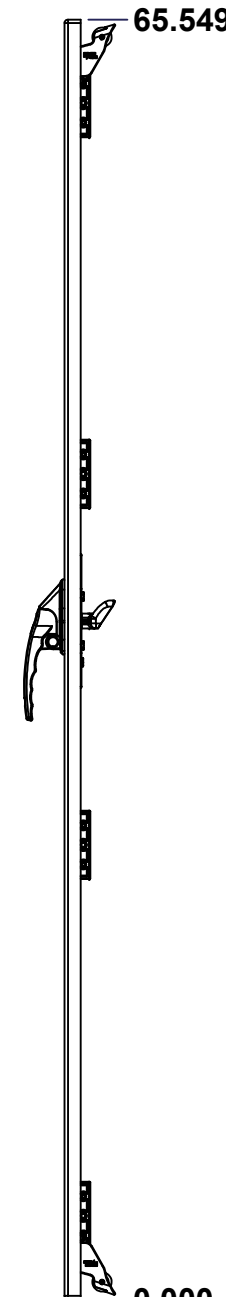
BOTTOM



LEFT

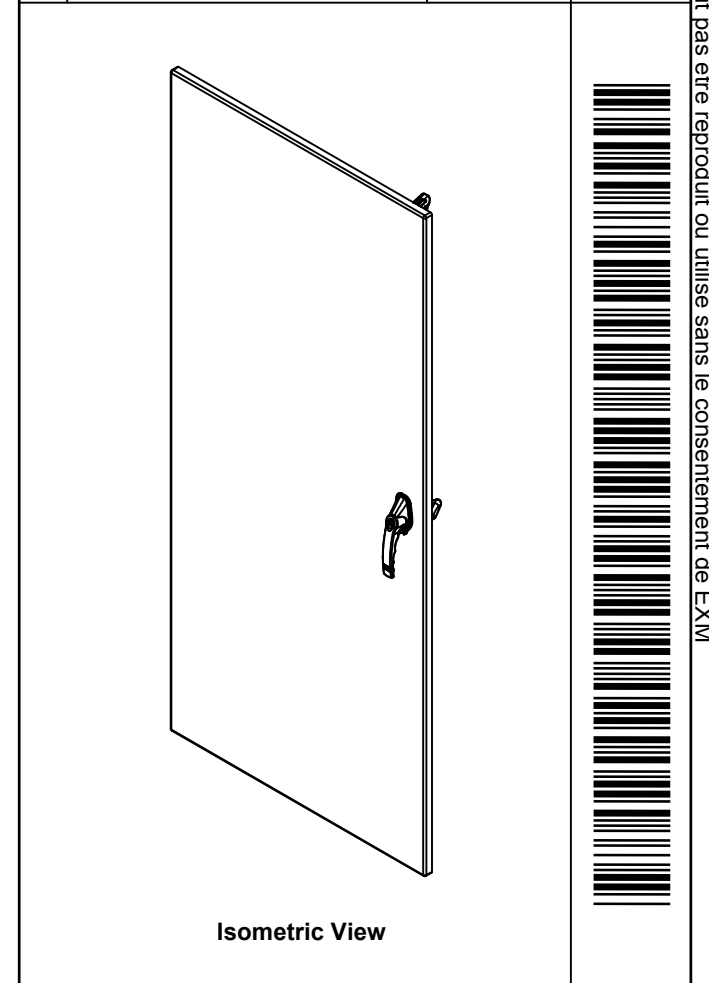



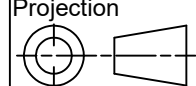
FRONT



RIGHT

No.	Revisions	Date	By/Par



 Tél: (450) 979-4373 Fax: (450) 979-4626 www.exmweb.com		Flatness Aplatissement Max 3.0mm Projection 
Customer Client	Date	
Drawn By Dessiné Par	BoxCad: BoxCad	Date 25-Aug-14
Material Matière	12 Ga Cold Rolled A1008 CS Type B (2.5mm)	
Color Couleur	Asa-61 Grey	Finish Fini Smooth
Description	Detail Rev.	
9500DA 72" x 30" Back Cover		
Part Number Numéro Pièce	Rev. 0	1 / 3
9500DA723024D		

SEE BILL OF MATERIAL ON LAST PAGE

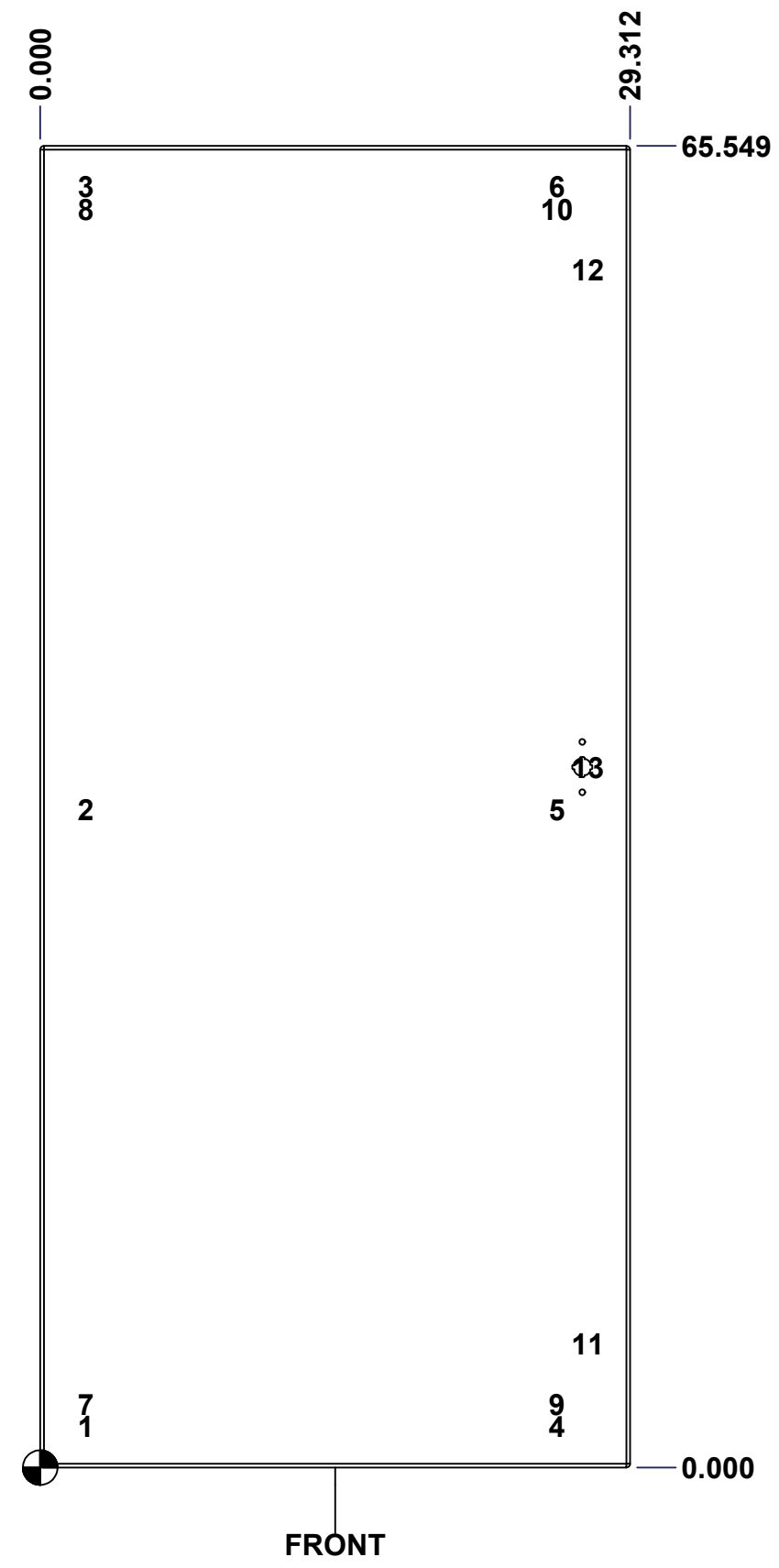
This drawing is confidential and must not be reproduced or used without the consent of EXM

Ce dessin est confidentiel et ne doit pas être reproduit ou utilisé sans le consentement de EXM

STANDARD FEATURES ARE NOT LISTED IN THIS HOLE TABLE

HOLE TABLE - FRONT VIEW (CUSTOM FEATURE ONLY)

CUT-OUT	XDIM	YDIM	DESCRIPTION
1	2.000	2.028	STUD M6 x 18mm (Inside)
2	2.000	32.628	STUD M6 x 18mm (Inside)
3	2.000	63.521	STUD M6 x 18mm (Inside)
4	25.407	2.028	STUD M6 x 18mm (Inside)
5	25.407	32.628	STUD M6 x 18mm (Inside)
6	25.407	63.521	STUD M6 x 18mm (Inside)
7	2.000	3.139	STUD M6 x 18mm (Inside)
8	2.000	62.409	STUD M6 x 18mm (Inside)
9	25.407	3.139	STUD M6 x 18mm (Inside)
10	25.407	62.409	STUD M6 x 18mm (Inside)
11	26.937	6.118	STUD M6 x 18mm (Inside)
12	26.937	59.430	STUD M6 x 18mm (Inside)
-----	-----	-----	-----
13	26.937	34.743	HANDLE 885 ESL2A-APHK @ 0.0°

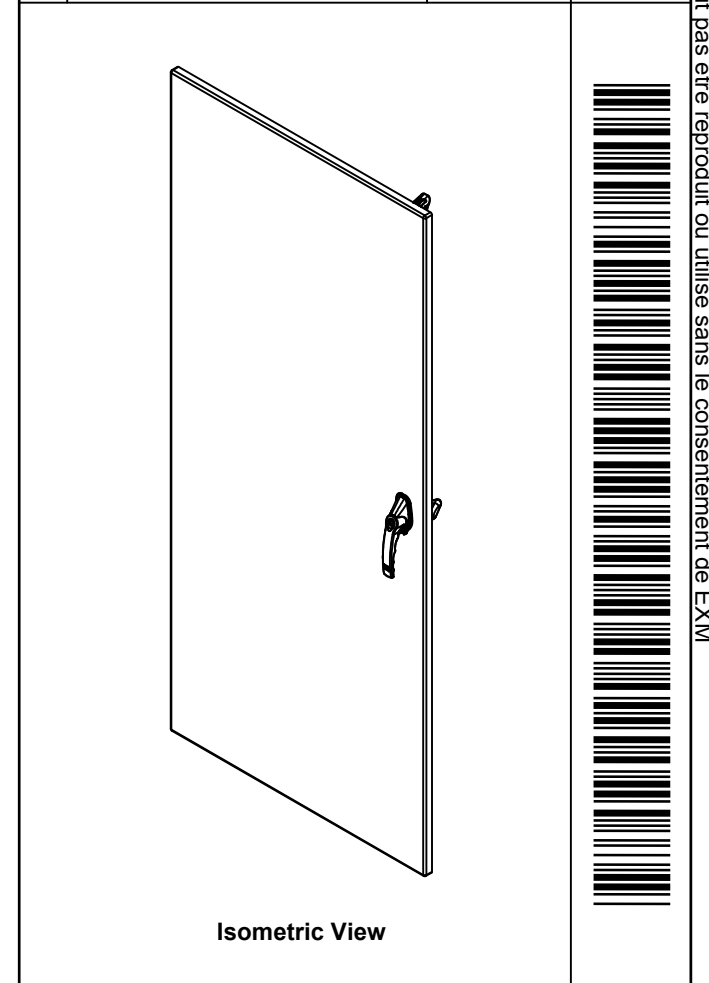


	Description	Status
	9500DA 72" x 30" Back Cover	(NULL)
	Part Number Numéro Pièce	Rev.
	9500DA723024D	0
		2
		3


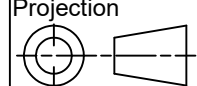
This drawing is confidential and must not be reproduced or used without the consent of EXM

Ce dessin est confidentiel et ne doit pas être reproduit ou utilisé sans le consentement de EXM

No.	Revisions	Date	By/Par



1	STK-Q-47527	1	9500 Lower Closing Bar 72"
1	STK-Q-47517	1	9500 Upper Closing Bar 72"
1	STK-A-03886-36	2	Gearbox Clockwise Assembly (36.0mm)
1	885ESL2A-APHK	6	885 ESL2A-APHK - Zinc Die Cast L-Handle Padlockable Assy
1	STK-P-02400S	0	Powder Paint (Asa-61 Grey / Smooth)
1	STK-S-00100	0	3.5" x 2" Silver Milar Flexcon Sticker
1	9500DA723024G	0	9500DA 72" x 30" Cover Gasket
1	STK-K-10840	3	9500 - Door Stiffener Assembly
2	STK-Q-16410	0	Guide Stud - Largel (No Paint Cap Required)
10	STK-Q-16055	1	M6 x 18mm Stud (No Paint Cap Required)
1	9500DA723024D-P	0	9500DA 72" x 30" Back Cover Part
4	STK-K-09860	7	Cabinet Hinge with Captive Pins
2	STK-A-90025	0	9500 - Cabinet Closing Bar End (Large)
Qty	Part Name	Rev	Description
Parts List			

 Tél: (450) 979-4373 Fax: (450) 979-4626 www.exmweb.com		Flatness Aplatissement	
		Max 3.0mm	
Customer Client		Projection	
Date			
Drawn By Dessiné Par		Date 25-Aug-14	
BoxCad: BoxCad		Material Matière	
12 Ga Cold Rolled A1008 CS Type B (2.5mm)		Color Couleur	
Asa-61 Grey		Finish Fini	
Smooth		Description	
9500DA 72" x 30" Back Cover		Detail Rev.	
Part Number Numéro Pièce		Rev.	
9500DA723024D		0	
		3	

All knockouts are actual size / Les disques défonçables sont grandeur réel
 All dimensions are before paint / Toutes les dimensions sont avant peinture

This drawing is confidential and must not be reproduced or used without the consent of EXM

Ce dessin est confidentiel et ne doit pas être reproduit ou utilisé sans le consentement de EXM

Lifting angles are the flanges of RS and LS top

Struts for light secured with stud only (No weld)

Weld inside of struts with the enclosure corner on both ends

Full depth struts

Struts secured with M6 x 10mm studs
 No stud: C_Depth < 12"
 2 studs: 12" ≤ C_Depth < 18"
 3 studs: C_Depth ≥ 18"

Shorter struts on the handle side of the back door

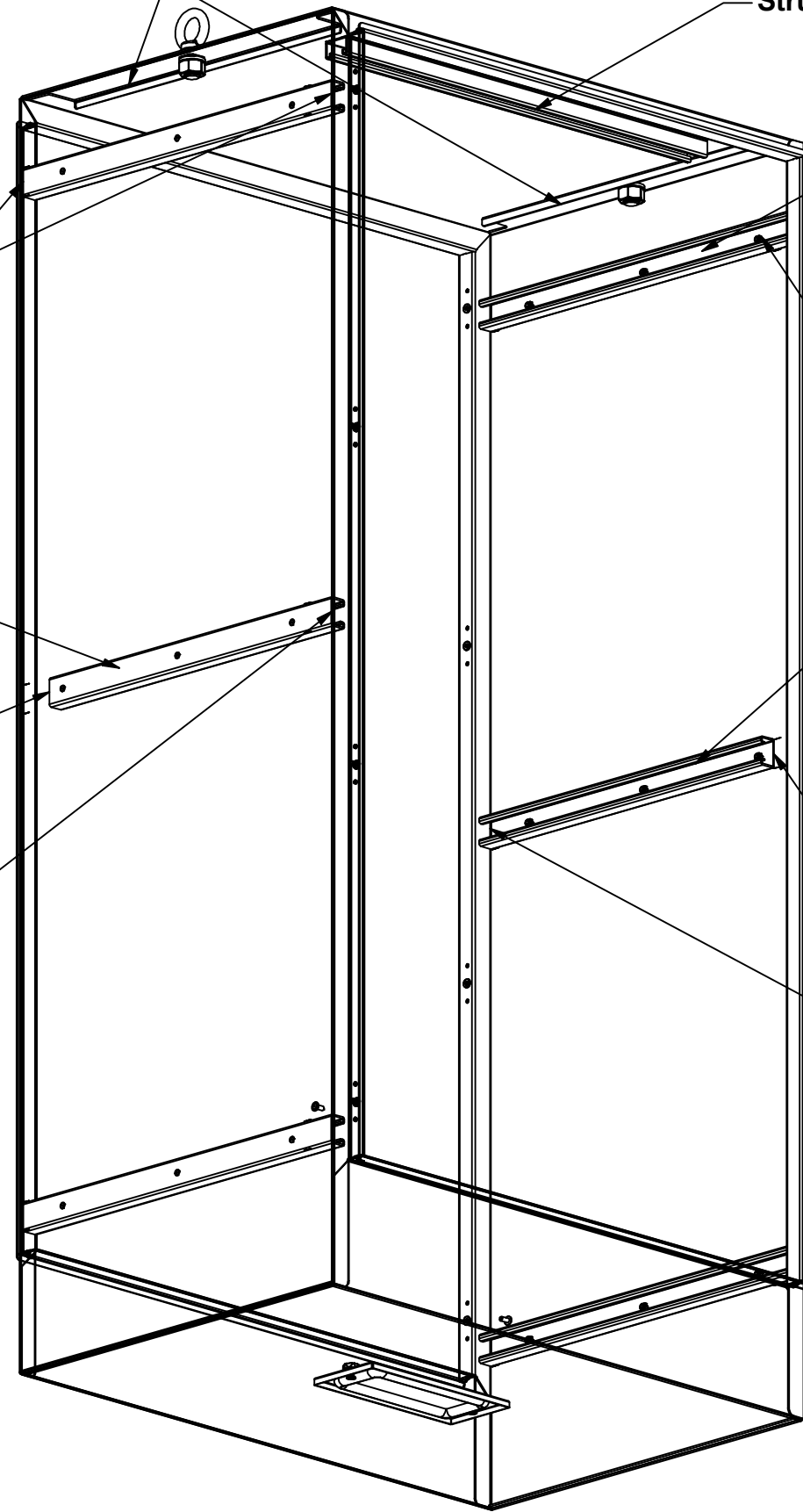
Shorter struts on the handle side of the front door

No weld on this end

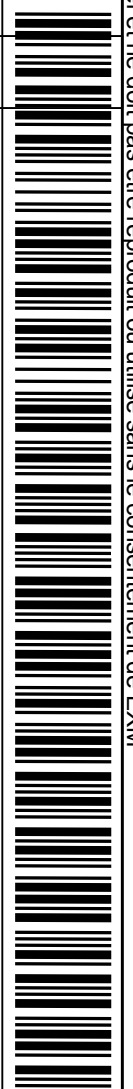
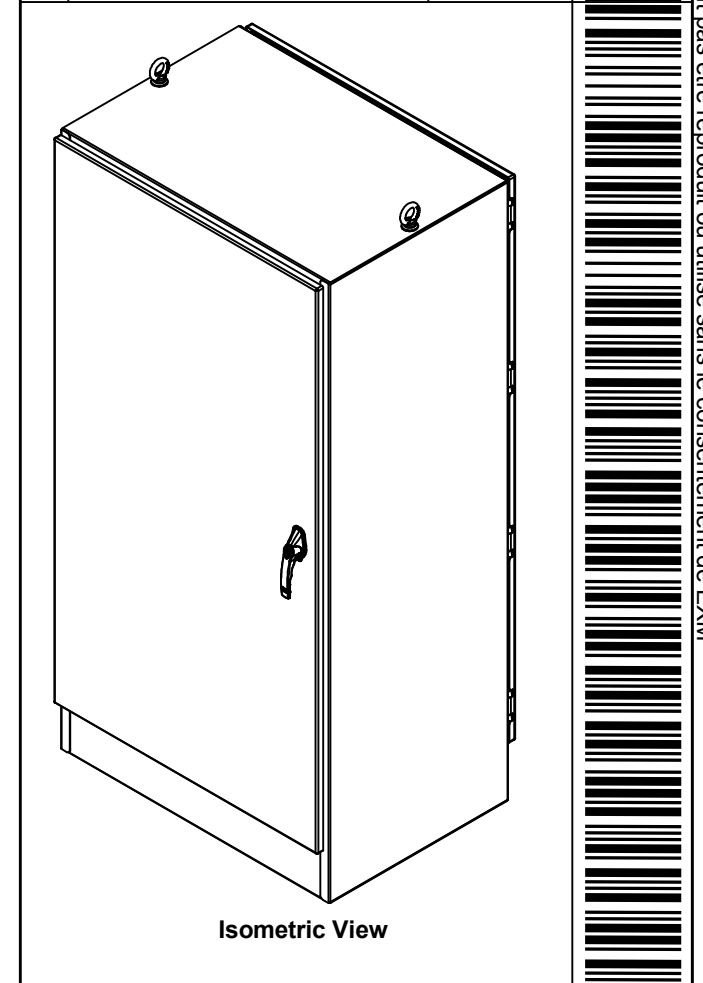
No weld on this end


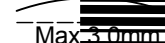

Weld inside of struts with the enclosure corner on this end only

Weld inside of struts with the enclosure corner on this end only



No.	Revisions	Date	By/Par



 Tél: (450) 979-4373 Fax: (450) 979-4626 www.exmweb.com		Flatness Aplatissement  Max 3.0mm Projection 
Customer Client	Date	
Drawn By / Dessiné Par: PatrickD	Date: 3/9/2020	
Material / Matière	N/A	
Color / Couleur: N/A	Finish / Fini: N/A	
Description: 9500DA Welding Detail		Detail Rev.
Part Number / Numéro Pièce: 9500DA_WELDING_DETAIL	Rev. 0	1 / 1