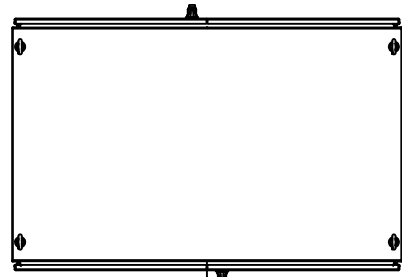
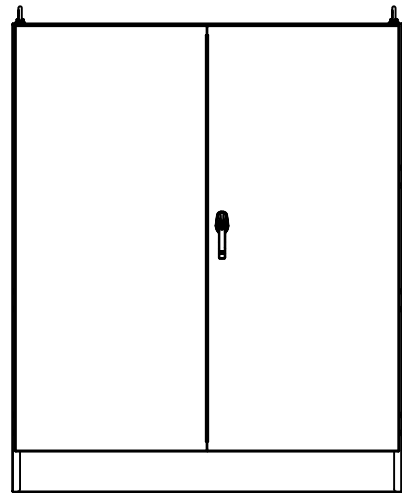


This drawing is confidential and must not be reproduced or used without the consent of EXM

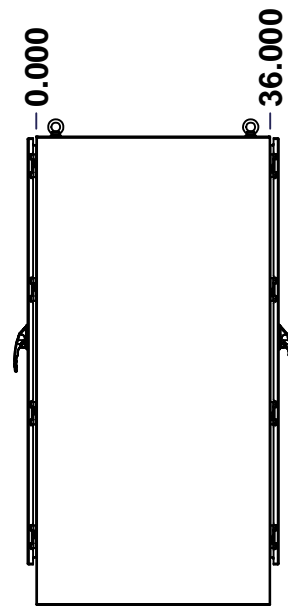
Ce dessin est confidentiel et ne doit pas être reproduit ou utilisé sans le consentement de EXM



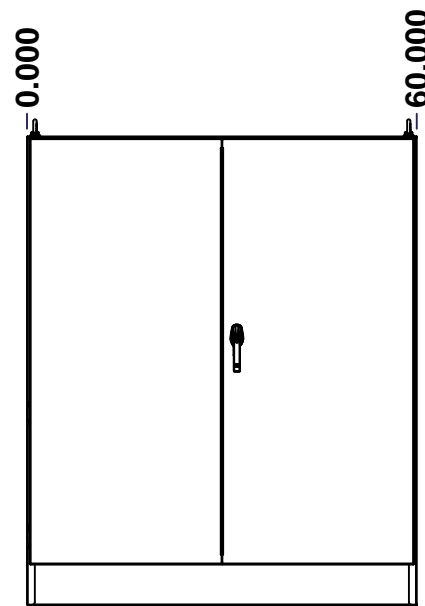
TOP



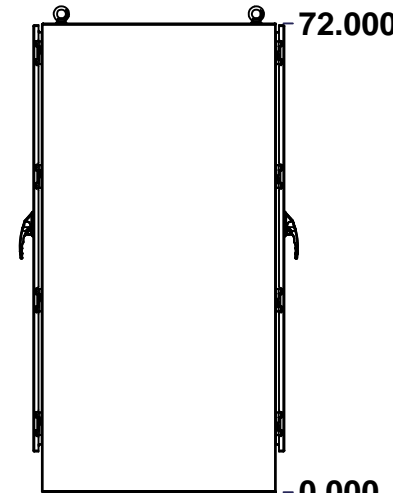
BACK



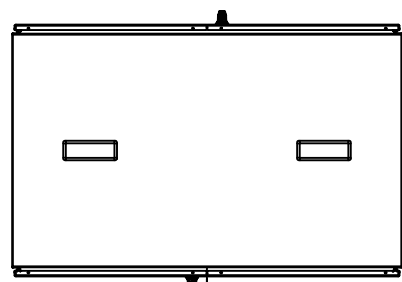
LEFT



FRONT

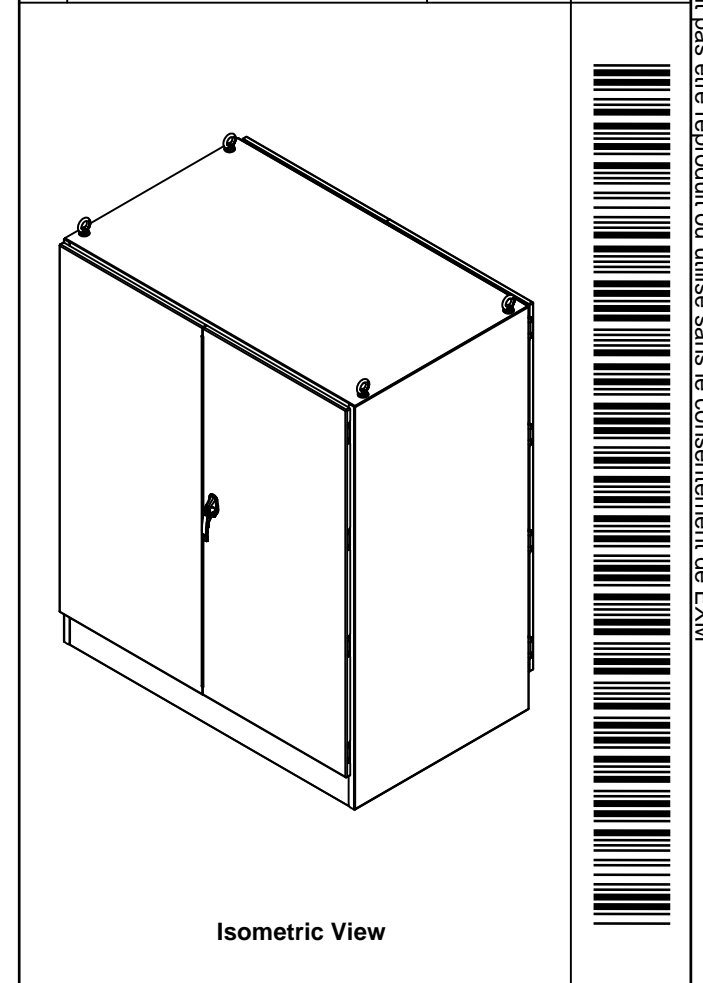



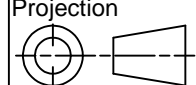
RIGHT



BOTTOM

No.	Revisions	Date	By/Par



 Tél: (450) 979-4373 Fax: (450) 979-4626 <a href="http://www.exmweb.com">www.exmweb.com</a>		Flatness Aplatissement Max 3.0mm Projection 
Customer Client	Date	Date
Drawn By Dessiné Par	BoxCad: BoxCad	28-Oct-14
Material Matière 12 Ga Cold Rolled A1008 CS Type B (2.5mm)		
Color Couleur	Asa-61 Grey	Finish Fini Smooth
Description 9500DADD 72" x 60" x 36" Assembly		Detail Rev.
Part Number Numéro Pièce	9500DADD726036	Rev. 1 0

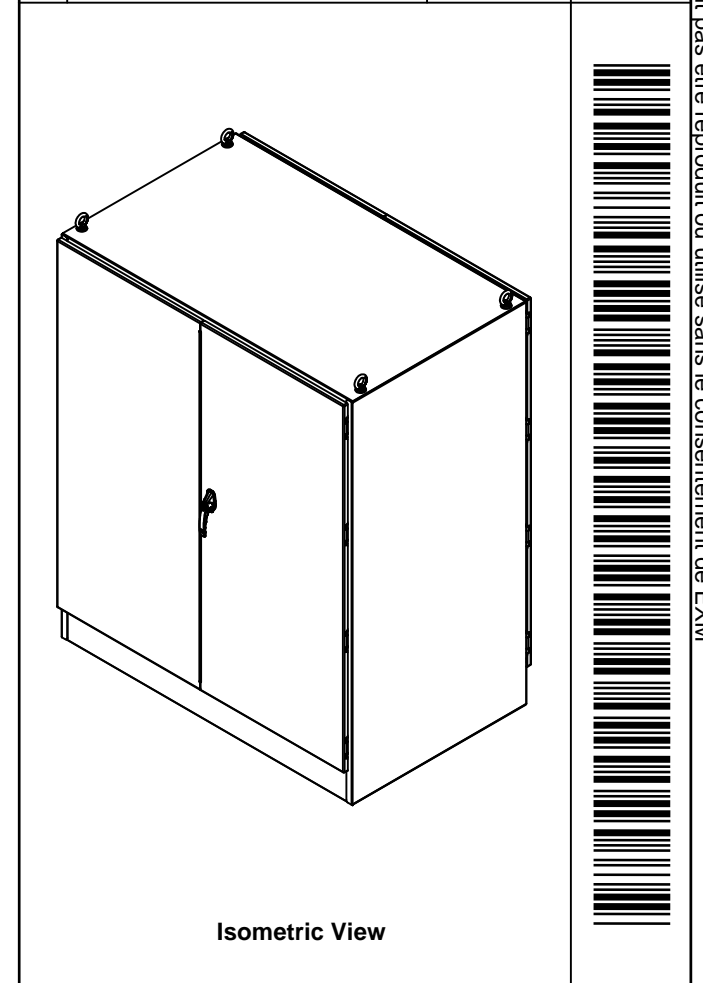
SEE BILL OF MATERIAL ON LAST PAGE

This drawing is confidential and must not be reproduced or used without the consent of EXM

Ce dessin est confidentiel et ne doit pas être reproduit ou utilisé sans le consentement de EXM

NOTE	
ITEM	DESCRIPTION
1	NEMA 12/13 Enclosure
2	C/W Standard ground studs on box and cover
3	C/W Standard door stiffener
4	W/O Inner panel
5	C/W Standard inner panel mounting struts
6	C/W Eyebolts
7	C/W Struts installed (Included)

No.	Revisions	Date	By/Par



PACKING		
ITEM	QTY	DESCRIPTION
Cardboard sleeve	2	Top and Bottom
Cardboard strip	2	Between back of enclosure and inner panel
Plastic bag	1	To protect cover surface and inside gasket
Cardboard corner	4	To reinforced for the plastic strap tightening
Plastic strap - Black	2	To Squeeze 2 cardboard sleeve together
Packaging label	3	White label with PN
Plastic strap- Green	2	To secure the enclosure to the wood pallet
Wood Pallet	1	2" deeper and 3" larger than enclosure size

1	9500DADD726036FB	0	9500DADD 72" x 60" Back Flange Door
1	9500DADD726036LB	0	9500DADD 72" x 60" Back Lock Door
1	9500DADD726036FD	0	9500DADD 72" x 60" Front Flange Door
1	9500DADD726036LD	0	9500DADD 72" x 60" Front Lock Door
1	9500DADD726036B	0	9500DADD 72" x 60" x 36" Body
2	880EB14	2	Eye Bolt M14 (Pack of 2)
2	9500DADD726036GP	0	9500DADD Gland Plate
16	STK-Q-04050-10	8	M6 x 10mm Hexagon Socket Head Machine Screw with Nyseal
Qty	Part Number	Rev	Description
Parts List			

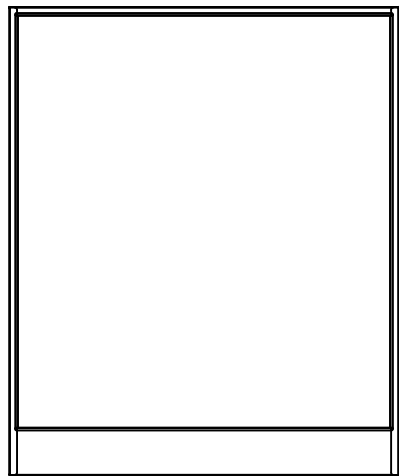
		Tél: (450) 979-4373 Fax: (450) 979-4626 <a href="http://www.exmweb.com">www.exmweb.com</a>		Flatness Aplatissement Max 3.0mm
Customer Client		Date		Projection 
Drawn By Dessiné Par BoxCad: BoxCad		Date 28-Oct-14		Material Matière 12 Ga Cold Rolled A1008 CS Type B (2.5mm)
Color Couleur Asa-61 Grey		Finish Fini Smooth		Description 9500DADD 72" x 60" x 36" Assembly
Part Number Numéro Pièce <b>9500DADD726036</b>		Rev. <b>0</b>		Detail Rev. 2

This drawing is confidential and must not be reproduced or used without the consent of EXM

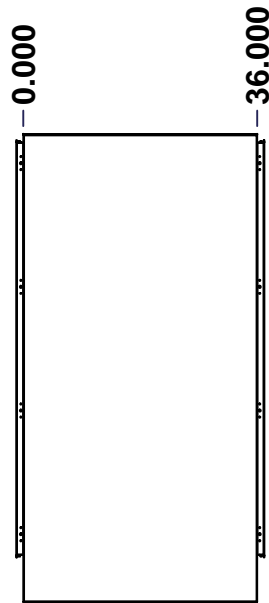
Ce dessin est confidentiel et ne doit pas être reproduit ou utilisé sans le consentement de EXM



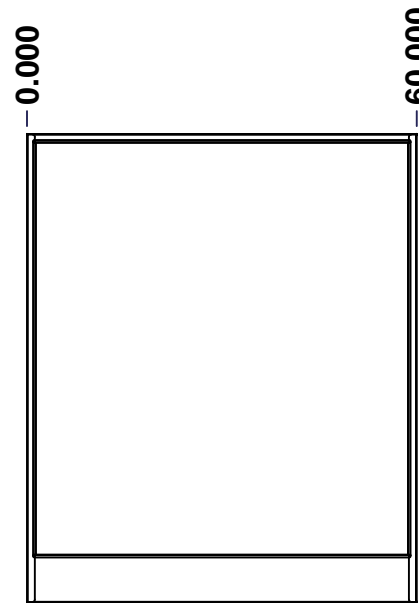
TOP



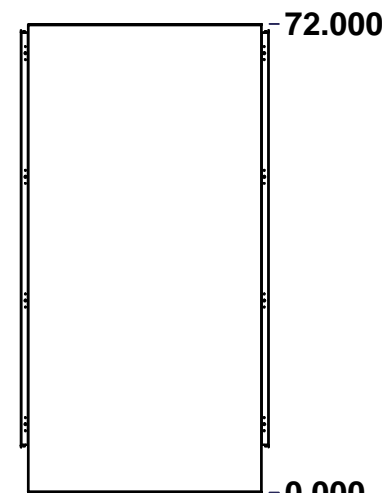
BACK



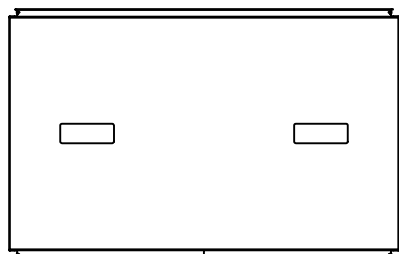
LEFT



FRONT

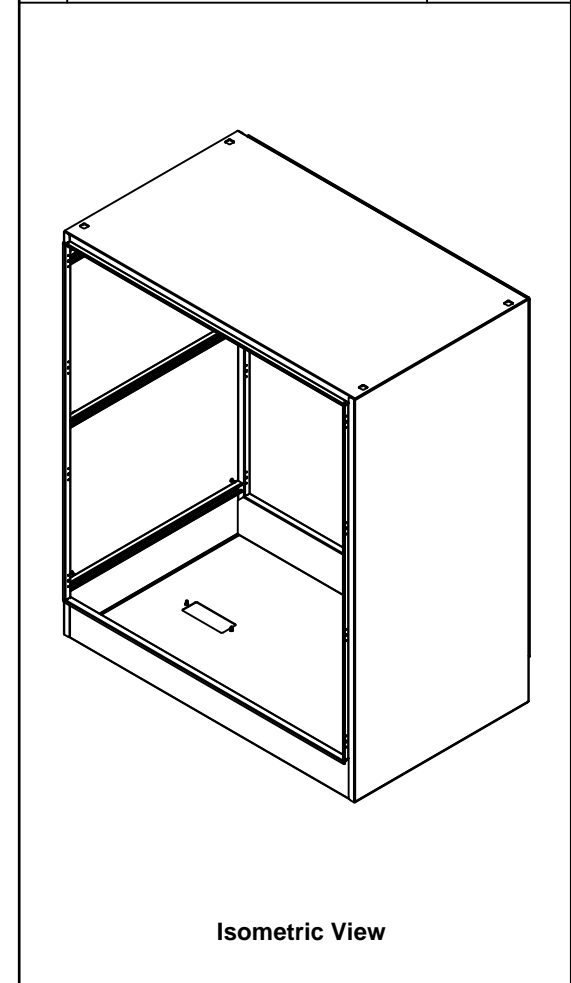


RIGHT




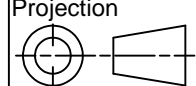
BOTTOM

No.	Revisions	Date	By/Par



Isometric View



 Tél: (450) 979-4373 Fax: (450) 979-4626 <a href="http://www.exmweb.com">www.exmweb.com</a>		Flatness Aplatissement Max 3.0mm Projection 
Customer Client	Date	
Drawn By Dessiné Par	BoxCad: BoxCad	Date 28-Oct-14
Material Matière	12 Ga Cold Rolled A1008 CS Type B (2.5mm)	
Color Couleur	Asa-61 Grey	Finish Fini Smooth
Description 9500DADD 72" x 60" x 36" Body		Detail Rev.
Part Number Numéro Pièce	9500DADD726036B	Rev. 1 0

SEE BILL OF MATERIAL ON LAST PAGE

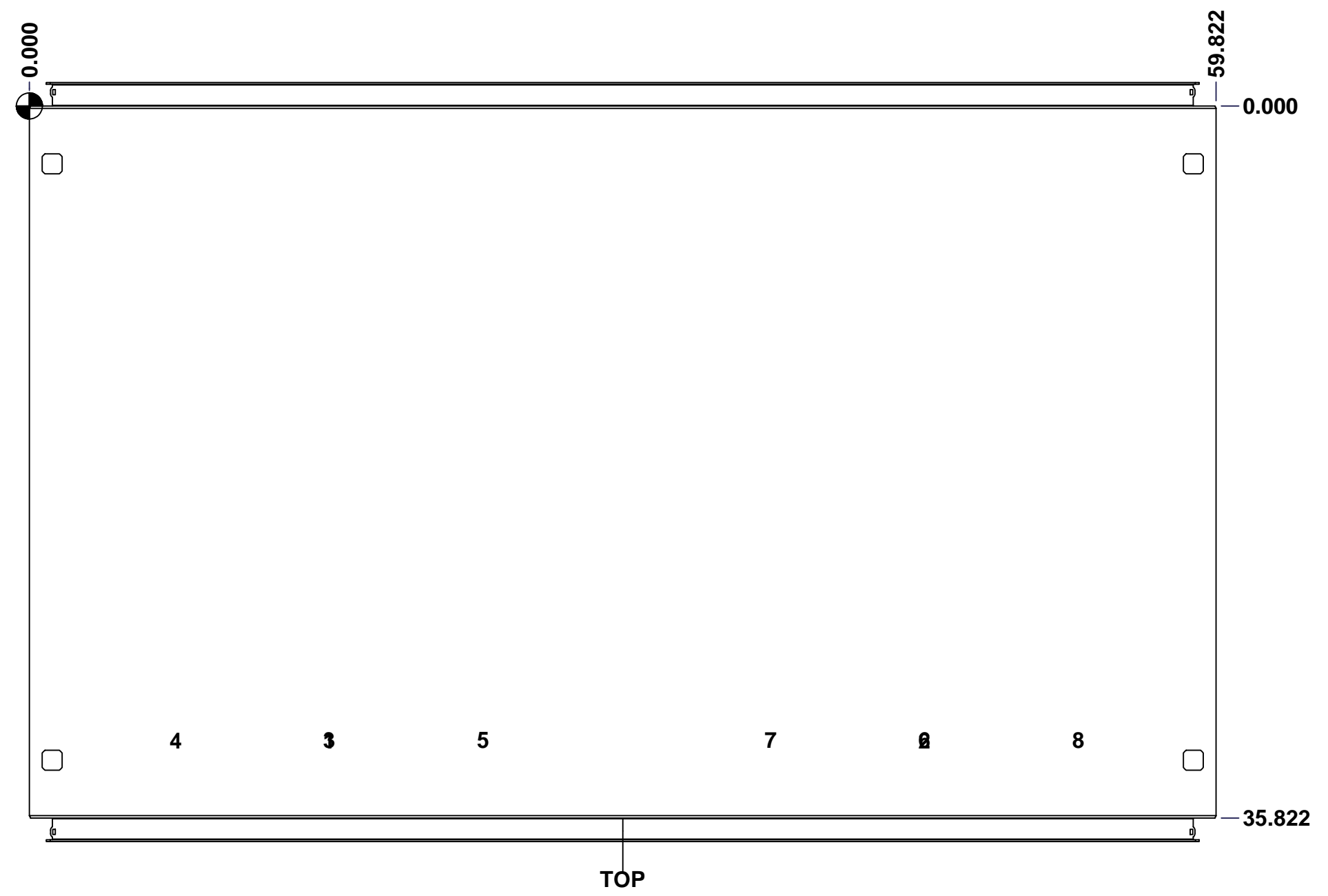
This drawing is confidential and must not be reproduced or used without the consent of EXM

Ce dessin est confidentiel et ne doit pas être reproduit ou utilisé sans le consentement de EXM

**STANDARD FEATURES ARE NOT LISTED IN THIS HOLE TABLE**

**HOLE TABLE - TOP VIEW (CUSTOM FEATURE ONLY)**

CUT-OUT	XDIM	YDIM	DESCRIPTION
1	14.911	32.000	Struts CR400 21.500" (Inside)
2	44.911	32.000	Struts CR400 21.500" (Inside)
3	14.911	32.000	STUDS M6 x 10mm (Inside)
4	7.161	32.000	STUDS M6 x 10mm (Inside)
5	22.661	32.000	STUDS M6 x 10mm (Inside)
6	44.911	32.000	STUDS M6 x 10mm (Inside)
7	37.161	32.000	STUDS M6 x 10mm (Inside)
8	52.661	32.000	STUDS M6 x 10mm (Inside)



	Description	Status	
	9500DADD 72" x 60" x 36" Body	Released	
	Part Number Numéro Pièce	Rev.	
	<b>9500DADD726036B</b>	<b>0</b>	2 / 7

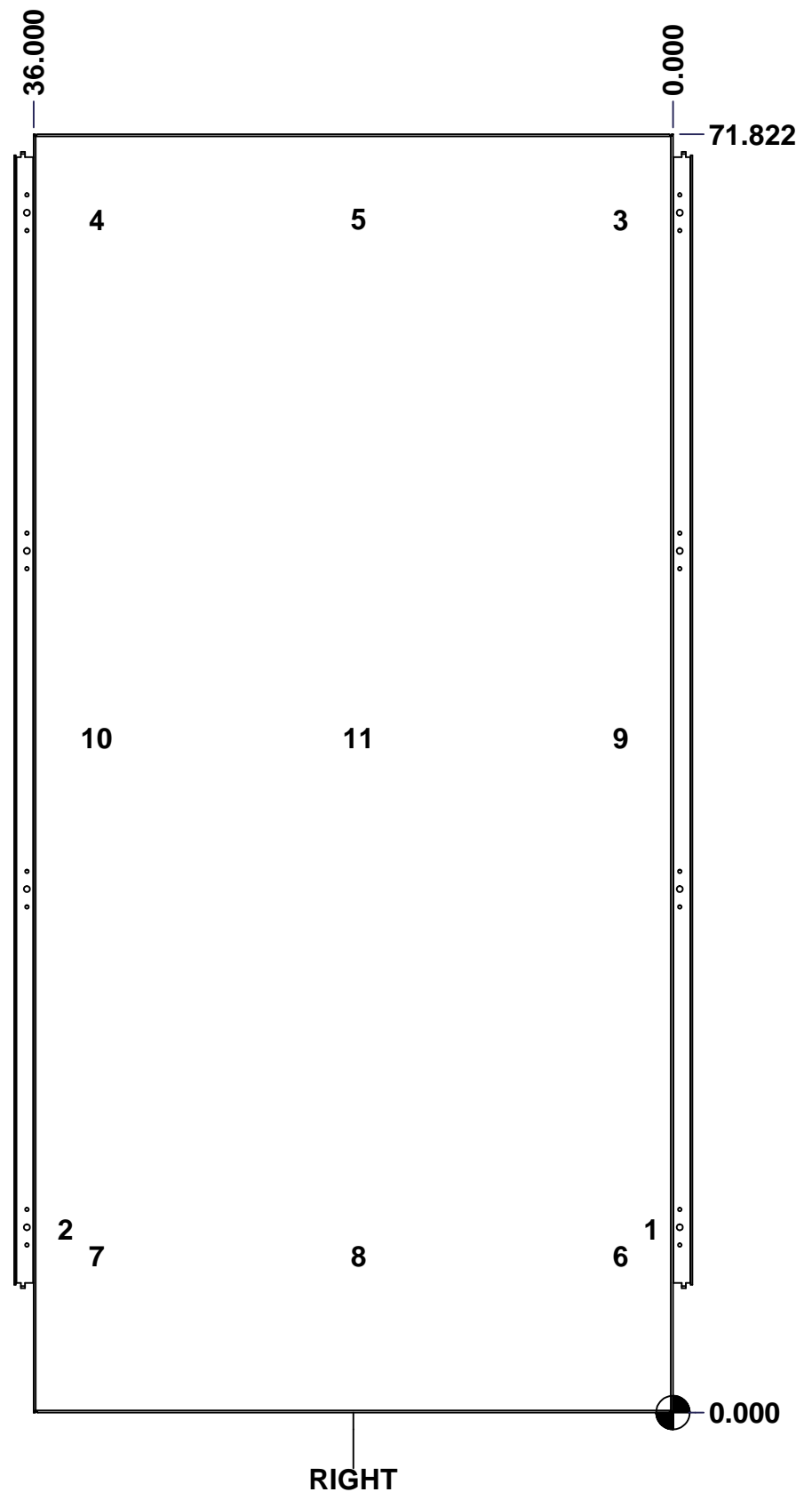
This drawing is confidential and must not be reproduced or used without the consent of EXM

Ce dessin est confidentiel et ne doit pas être reproduit ou utilisé sans le consentement de EXM

**STANDARD FEATURES ARE NOT LISTED IN THIS HOLE TABLE**

**HOLE TABLE - RIGHT VIEW (CUSTOM FEATURE ONLY)**

CUT-OUT	XDIM	YDIM	DESCRIPTION
1	1.500	10.286	GND STUD M6 x 16mm (Inside)
2	34.500	10.286	GND STUD M6 x 16mm (Inside)
3	3.250	67.036	STUDS M6 x 10mm (Inside)
4	32.750	67.036	STUDS M6 x 10mm (Inside)
5	18.000	67.036	STUDS M6 x 10mm (Inside)
6	3.250	8.786	STUDS M6 x 10mm (Inside)
7	32.750	8.786	STUDS M6 x 10mm (Inside)
8	18.000	8.786	STUDS M6 x 10mm (Inside)
9	3.250	37.911	STUDS M6 x 10mm (Inside)
10	32.750	37.911	STUDS M6 x 10mm (Inside)
11	18.000	37.911	STUDS M6 x 10mm (Inside)



	Description		Status	
	9500DADD 72" x 60" x 36" Body		Released	
Part Number Numéro Pièce		Rev.	3	
<b>9500DADD726036B</b>		<b>0</b>	7	

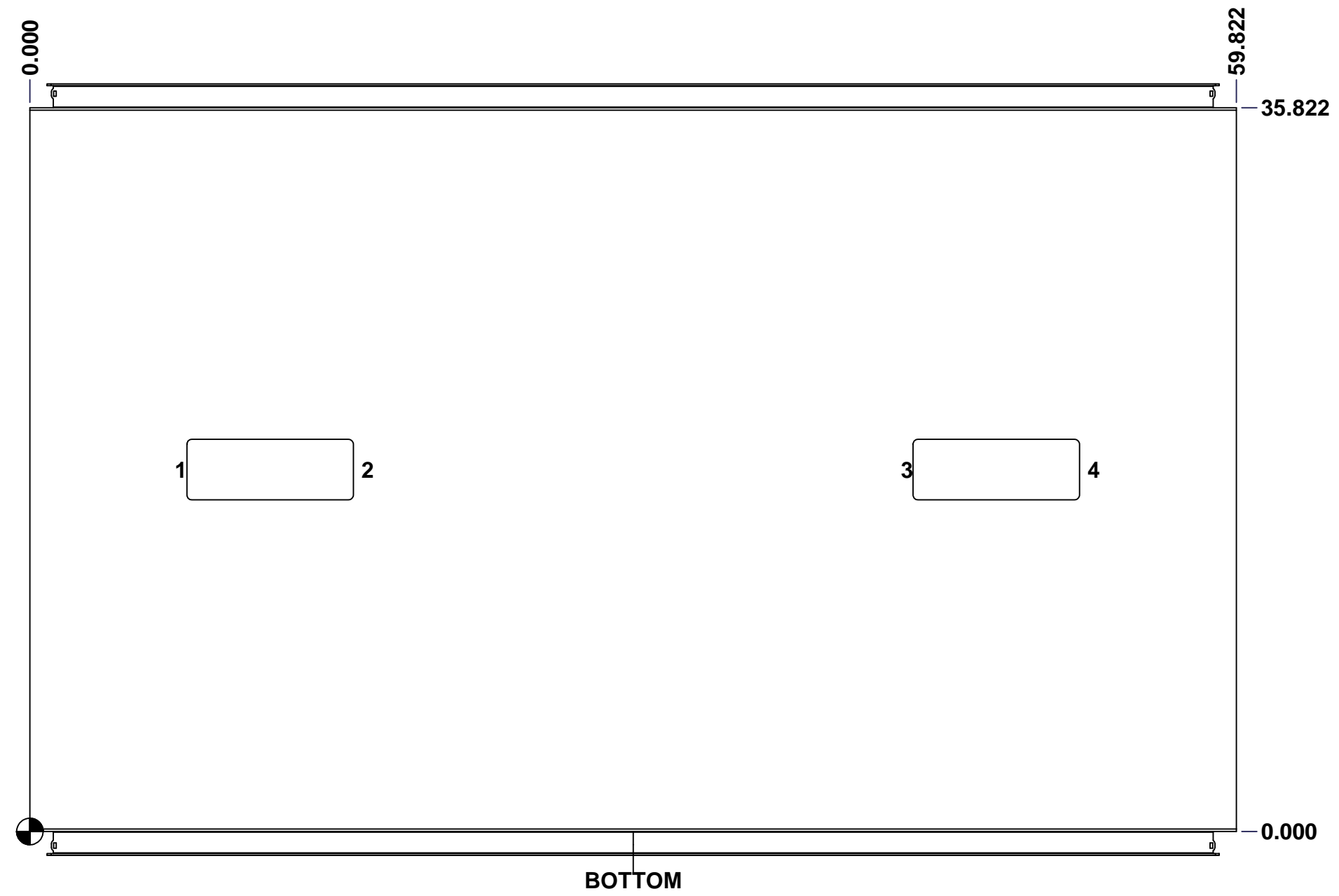
This drawing is confidential and must not be reproduced or used without the consent of EXM

Ce dessin est confidentiel et ne doit pas être reproduit ou utilisé sans le consentement de EXM

**STANDARD FEATURES ARE NOT LISTED IN THIS HOLE TABLE**

**HOLE TABLE - BOTTOM VIEW (CUSTOM FEATURE ONLY)**

CUT-OUT	XDIM	YDIM	DESCRIPTION
1	7.286	18.000	GP STUD M6 x 16mm (Inside)
2	16.536	18.000	GP STUD M6 x 16mm (Inside)
3	43.286	18.000	GP STUD M6 x 16mm (Inside)
4	52.536	18.000	GP STUD M6 x 16mm (Inside)



	Description	Status	
	9500DADD 72" x 60" x 36" Body	Released	
	Part Number Numéro Pièce	Rev.	
	<b>9500DADD726036BB</b>	<b>0</b>	4 / 7

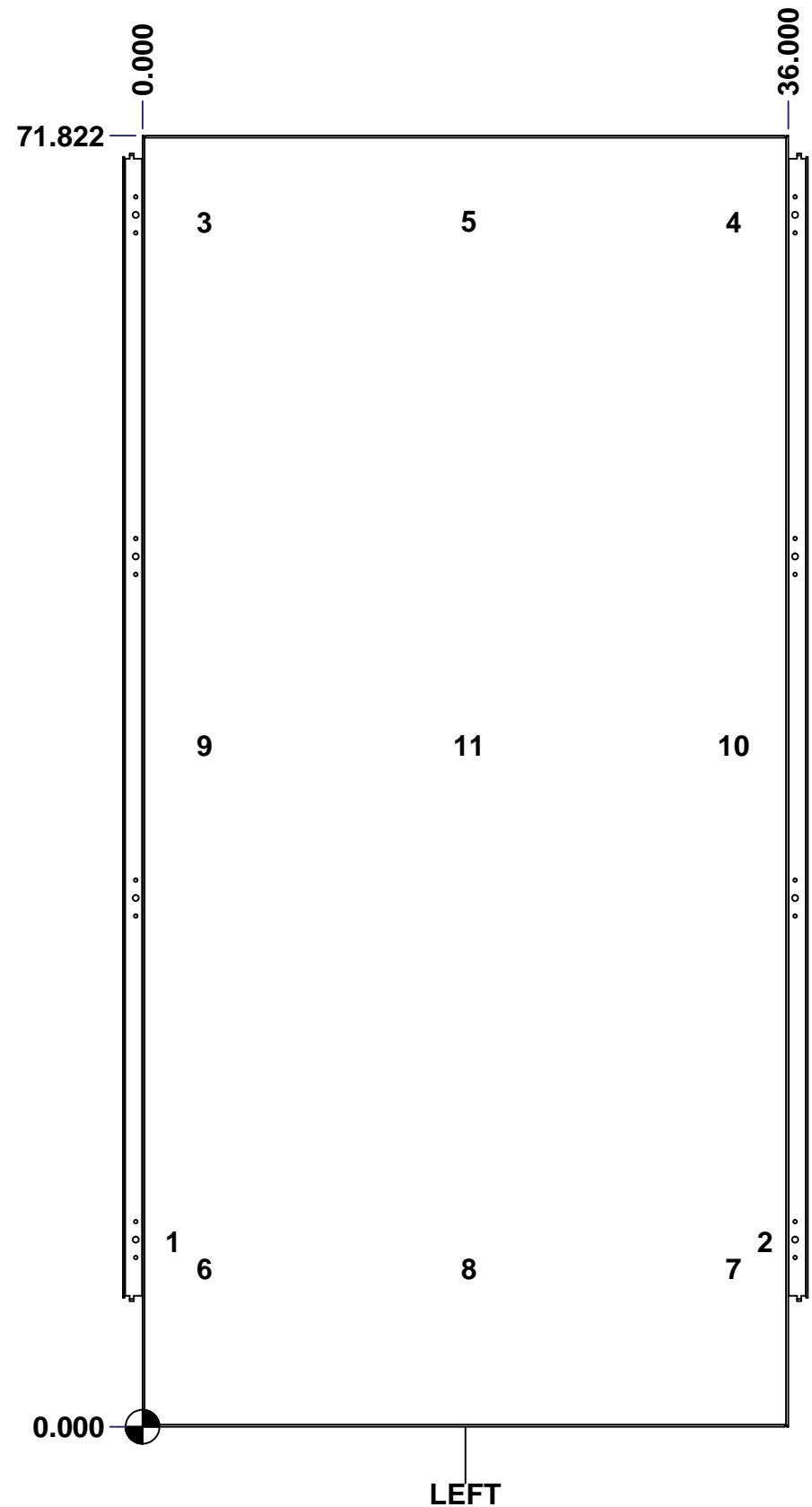
This drawing is confidential and must not be reproduced or used without the consent of EXM

Ce dessin est confidentiel et ne doit pas être reproduit ou utilisé sans le consentement de EXM

**STANDARD FEATURES ARE NOT LISTED IN THIS HOLE TABLE**

**HOLE TABLE - LEFT VIEW (CUSTOM FEATURE ONLY)**

CUT-OUT	XDIM	YDIM	DESCRIPTION
1	1.411	10.286	GND STUD M6 x 16mm (Inside)
2	34.411	10.286	GND STUD M6 x 16mm (Inside)
3	3.161	67.036	STUDS M6 x 10mm (Inside)
4	32.661	67.036	STUDS M6 x 10mm (Inside)
5	17.911	67.036	STUDS M6 x 10mm (Inside)
6	3.161	8.786	STUDS M6 x 10mm (Inside)
7	32.661	8.786	STUDS M6 x 10mm (Inside)
8	17.911	8.786	STUDS M6 x 10mm (Inside)
9	3.161	37.911	STUDS M6 x 10mm (Inside)
10	32.661	37.911	STUDS M6 x 10mm (Inside)
11	17.911	37.911	STUDS M6 x 10mm (Inside)



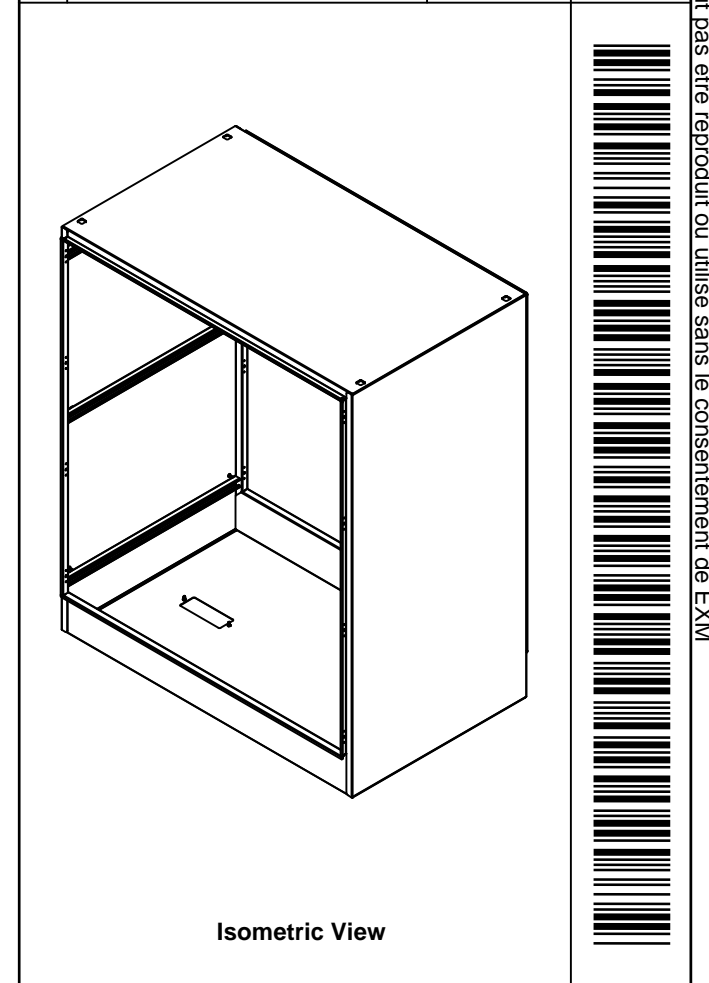
LEFT

	Description		Status	
	9500DADD 72" x 60" x 36" Body		Released	
Part Number Numéro Pièce		Rev.	5	
<b>9500DADD726036B</b>		<b>0</b>	7	

This drawing is confidential and must not be reproduced or used without the consent of EXM

Ce dessin est confidentiel et ne doit pas être reproduit ou utilisé sans le consentement de EXM

No.	Revisions	Date	By/Par



Tél: (450) 979-4373 Fax: (450) 979-4626 <a href="http://www.exmweb.com">www.exmweb.com</a>		Flatness Aplatissement	
		Max 3.0mm Projection	
Customer Client		Date	
Drawn By Dessiné Par		Date	
Material Matière		28-Oct-14	
Color Couleur		12 Ga Cold Rolled A1008 CS Type B (2.5mm)	
Finish Fini		Asa-61 Grey	
Description		Smooth	
Detail Rev.		9500DADD 72" x 60" x 36" Body	
Part Number Numéro Pièce		Rev. 2	
<b>9500DADD726036B</b>		<b>0</b>	

24	STK-Q-16030	0	Stud M6 x 10mm
1	STK-P-02400S	0	Powder Paint (Asa-61 Grey / Smooth)
6	STK-Q-52250-36	0	Sasco Strut S5 (35.500" Long)
1	9500DADD726036RS-P	0	9500DADD 72" x 60" Right Part
1	9500DADD726036BT-P	0	9500DADD 60" x 36" Bottom Part
1	9500DADD726036LS-P	0	9500DADD 72" x 60" Left Part
1	9500DADD726036T-P	0	9500DADD 60" x 36" Top Part
2	CR400MS_21.5	0	Commercial Roll Mild Steel (21.5in long)
24	STK-Q-07220	1	M6 Nylon Insert Lock Nut
8	STK-Q-16080	0	Ground Stud M6 x 16mm
Qty	Part Number	Rev	Description
Parts List			

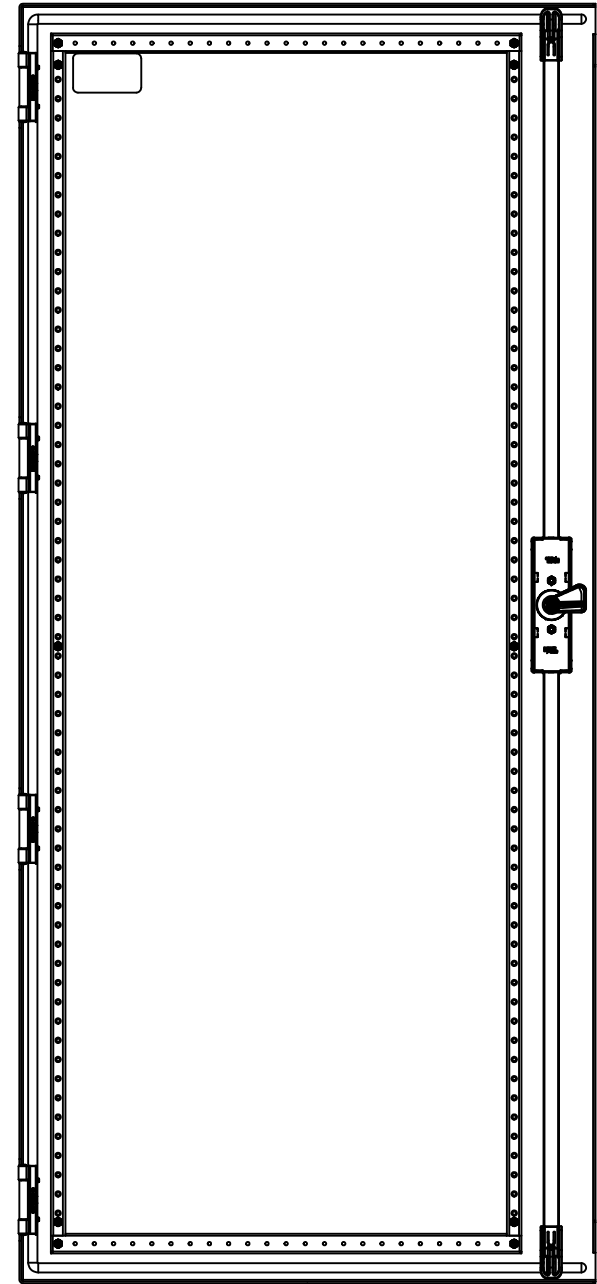


This drawing is confidential and must not be reproduced or used without the consent of EXM

Ce dessin est confidentiel et ne doit pas être reproduit ou utilisé sans le consentement de EXM



TOP

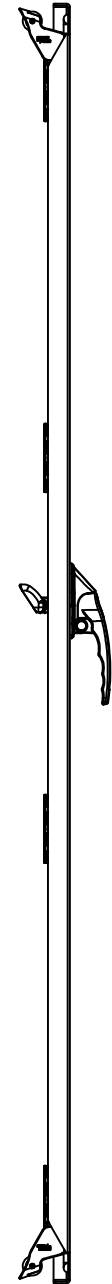


BACK



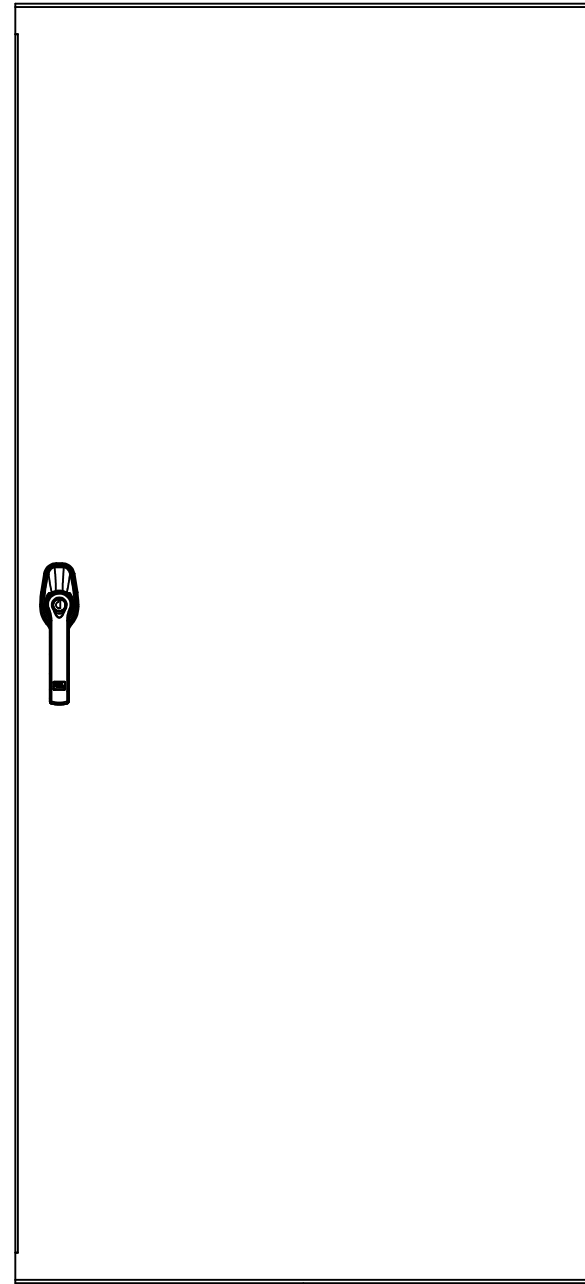
BOTTOM

0.000  
0.835



LEFT

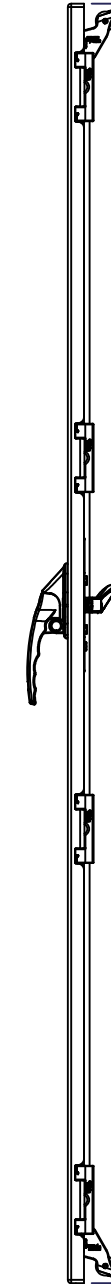
29.561



FRONT

0.000

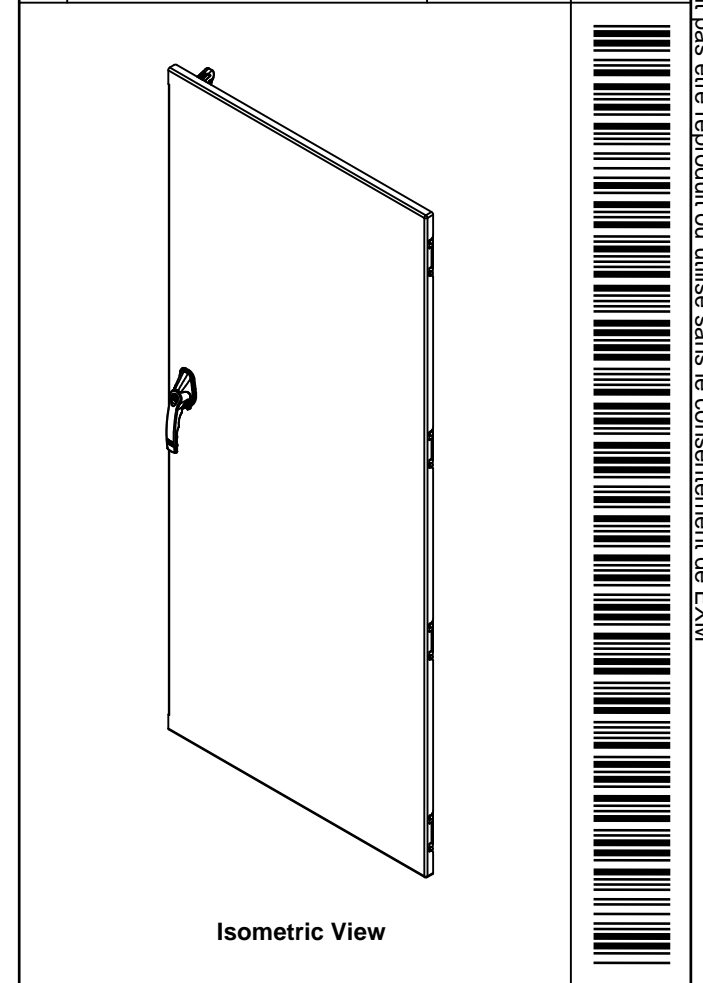
65.549




RIGHT

0.000

No.	Revisions	Date	By/Par



 Tél: (450) 979-4373 Fax: (450) 979-4626 <a href="http://www.exmweb.com">www.exmweb.com</a>		Flatness Aplatissement	
		Max 3.0mm	
Customer Client		Date	
Drawn By Dessiné Par BoxCad: BoxCad		Date 28-Oct-14	
Material Matière 12 Ga Cold Rolled A1008 CS Type B (2.5mm)			
Color Couleur Asa-61 Grey		Finish Fini Smooth	
Description 9500DADD 72" x 60" Front Lock Door			Detail Rev.
Part Number Numéro Pièce <b>9500DADD726036LD</b>		Rev. <b>0</b>	1 3

SEE BILL OF MATERIAL ON LAST PAGE

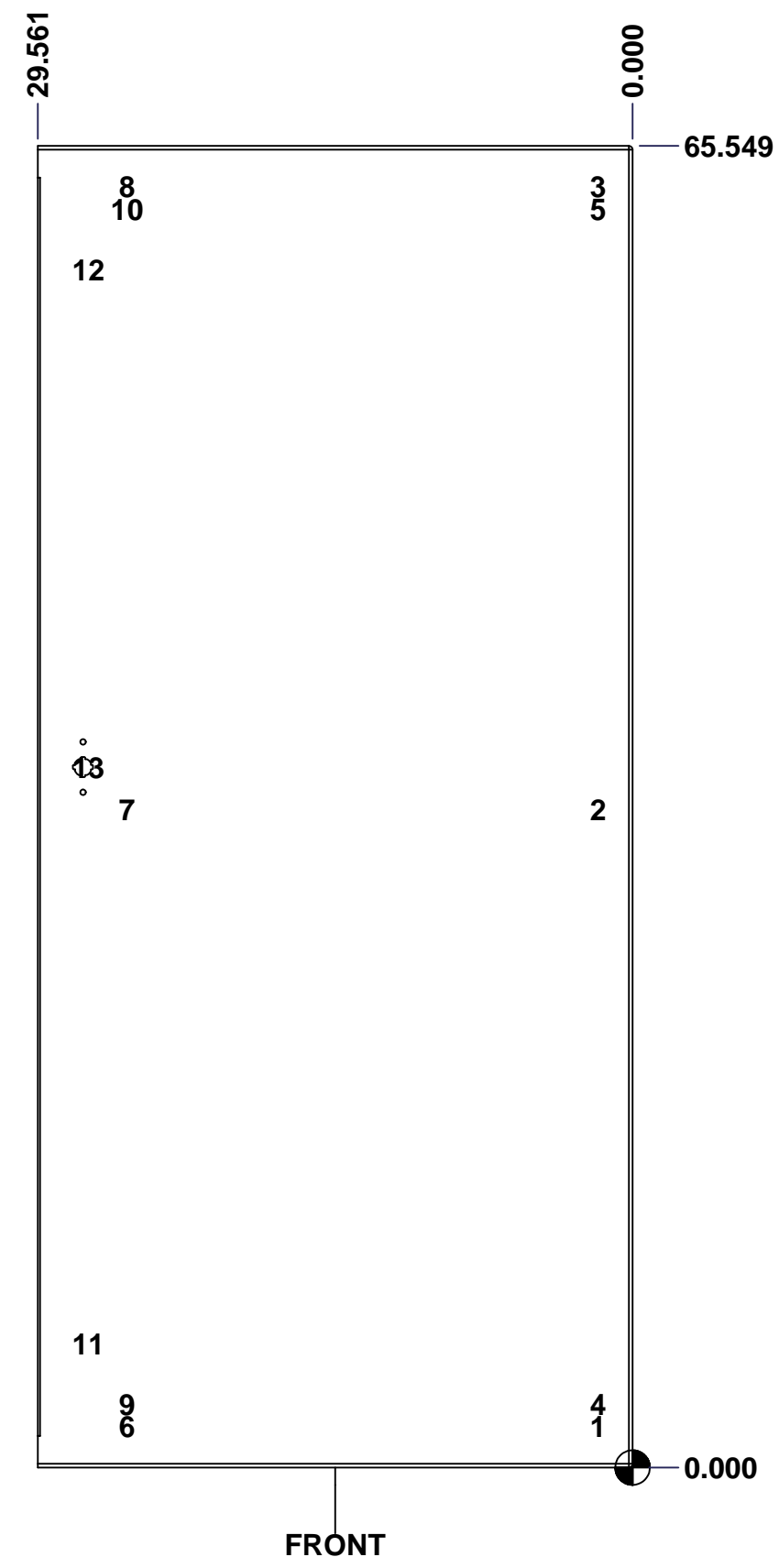
This drawing is confidential and must not be reproduced or used without the consent of EXM

Ce dessin est confidentiel et ne doit pas être reproduit ou utilisé sans le consentement de EXM

**STANDARD FEATURES ARE NOT LISTED IN THIS HOLE TABLE**

**HOLE TABLE - FRONT VIEW (CUSTOM FEATURE ONLY)**

CUT-OUT	XDIM	YDIM	DESCRIPTION
1	1.983	2.028	STUD M6 x 18mm (Inside)
2	1.983	32.628	STUD M6 x 18mm (Inside)
3	1.983	63.521	STUD M6 x 18mm (Inside)
4	1.983	3.139	STUD M6 x 18mm (Inside)
5	1.983	62.409	STUD M6 x 18mm (Inside)
6	25.390	2.028	STUD M6 x 18mm (Inside)
7	25.390	32.628	STUD M6 x 18mm (Inside)
8	25.390	63.521	STUD M6 x 18mm (Inside)
9	25.390	3.139	STUD M6 x 18mm (Inside)
10	25.390	62.409	STUD M6 x 18mm (Inside)
11	27.311	6.118	STUD M6 x 18mm (Inside)
12	27.311	59.430	STUD M6 x 18mm (Inside)
-----	-----	-----	-----
13	27.311	34.743	HANDLE 885 ESL2A-APHK @ 0.0°



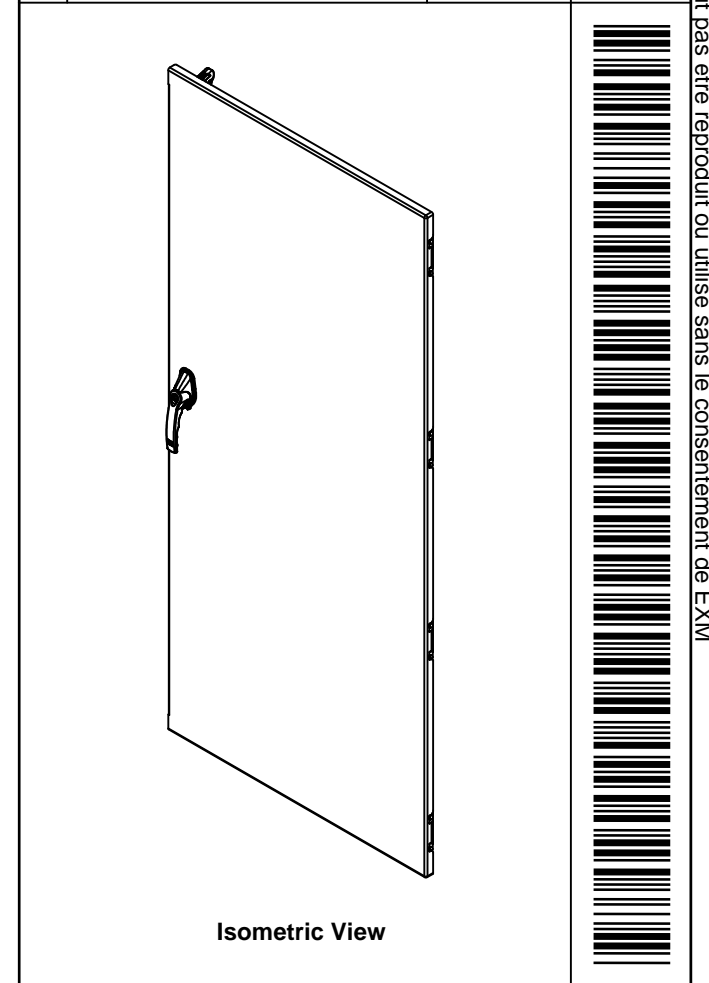
FRONT

	Description	Status
	9500DADD 72" x 60" Front Lock Door	(NULL)
	Part Number Numéro Pièce	Rev.
	<b>9500DADD726036LD</b>	<b>0</b>
		2
		3


This drawing is confidential and must not be reproduced or used without the consent of EXM

Ce dessin est confidentiel et ne doit pas être reproduit ou utilisé sans le consentement de EXM

No.	Revisions	Date	By/Par



1	STK-Q-47527	1	9500 Lower Closing Bar 72"
1	STK-Q-47517	1	9500 Upper Closing Bar 72"
1	STK-A-03986-36	2	Gearbox Counterclockwise Assembly (36.0mm)
1	885ESL2A-APHK	6	885 ESL2A-APHK - Zinc Die Cast L-Handle Padlockable Assy
1	STK-P-02400S	0	Powder Paint (Asa-61 Grey / Smooth)
1	STK-S-00100	0	3.5" x 2" Silver Milar Flexcon Sticker
1	9500DADD726036LDG	0	9500DADD 72" x 60" Lock Door Gasket
1	STK-K-10840	3	9500 - Door Stiffener Assembly
2	STK-Q-16410	0	Guide Stud - Largel (No Paint Cap Required)
10	STK-Q-16055	1	M6 x 18mm Stud (No Paint Cap Required)
1	9500DADD726036LD-P	0	9500DADD 72" x 60" Front Lock Door Part
4	STK-K-09860	7	Cabinet Hinge with Captive Pins
2	STK-A-90025	0	9500 - Cabinet Closing Bar End (Large)
Qty	Part Name	Rev	Description
Parts List			

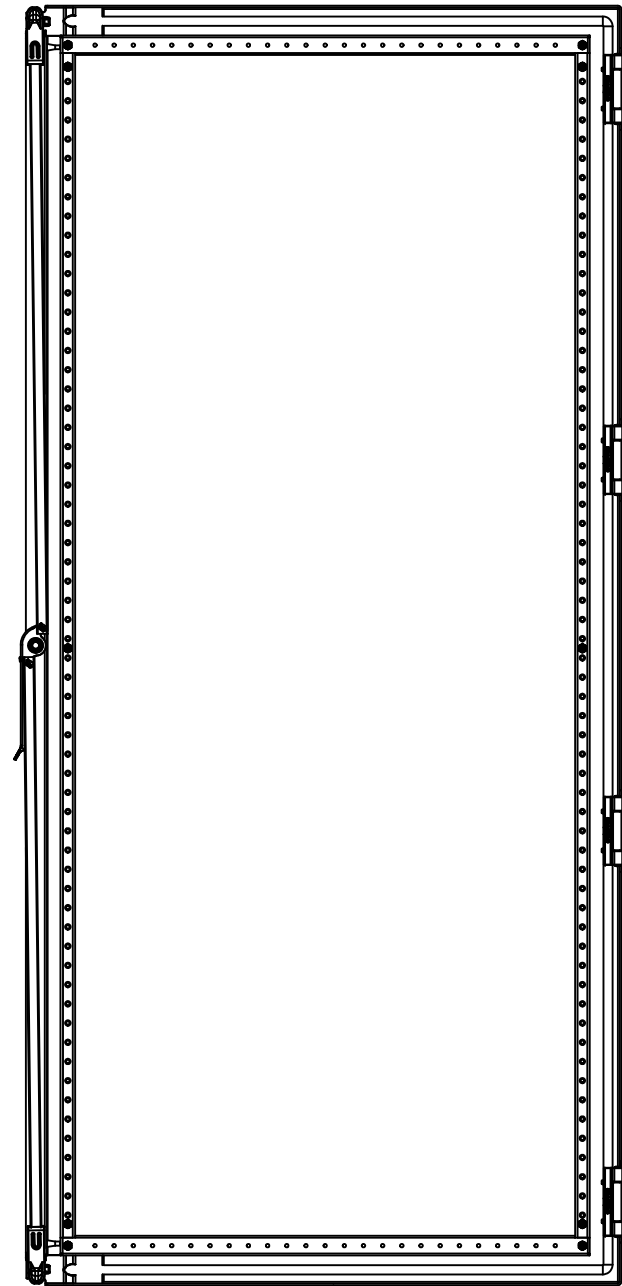
 Tél: (450) 979-4373 Fax: (450) 979-4626 <a href="http://www.exmweb.com">www.exmweb.com</a>		Flatness Aplatissement	
		Max 3.0mm	
Customer Client		Date	
Drawn By Dessiné Par BoxCad: BoxCad		Date 28-Oct-14	
Material Matière 12 Ga Cold Rolled A1008 CS Type B (2.5mm)		Projection	
Color Couleur Asa-61 Grey		Finish Fini Smooth	
Description 9500DADD 72" x 60" Front Lock Door			Detail Rev.
Part Number Numéro Pièce <b>9500DADD726036LD</b>		Rev. <b>0</b>	3

This drawing is confidential and must not be reproduced or used without the consent of EXM

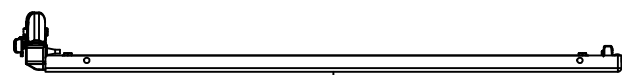
Ce dessin est confidentiel et ne doit pas être reproduit ou utilisé sans le consentement de EXM



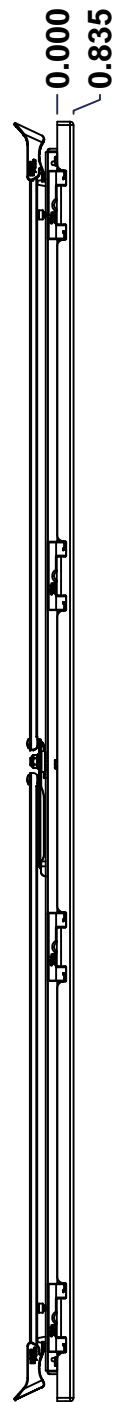
TOP



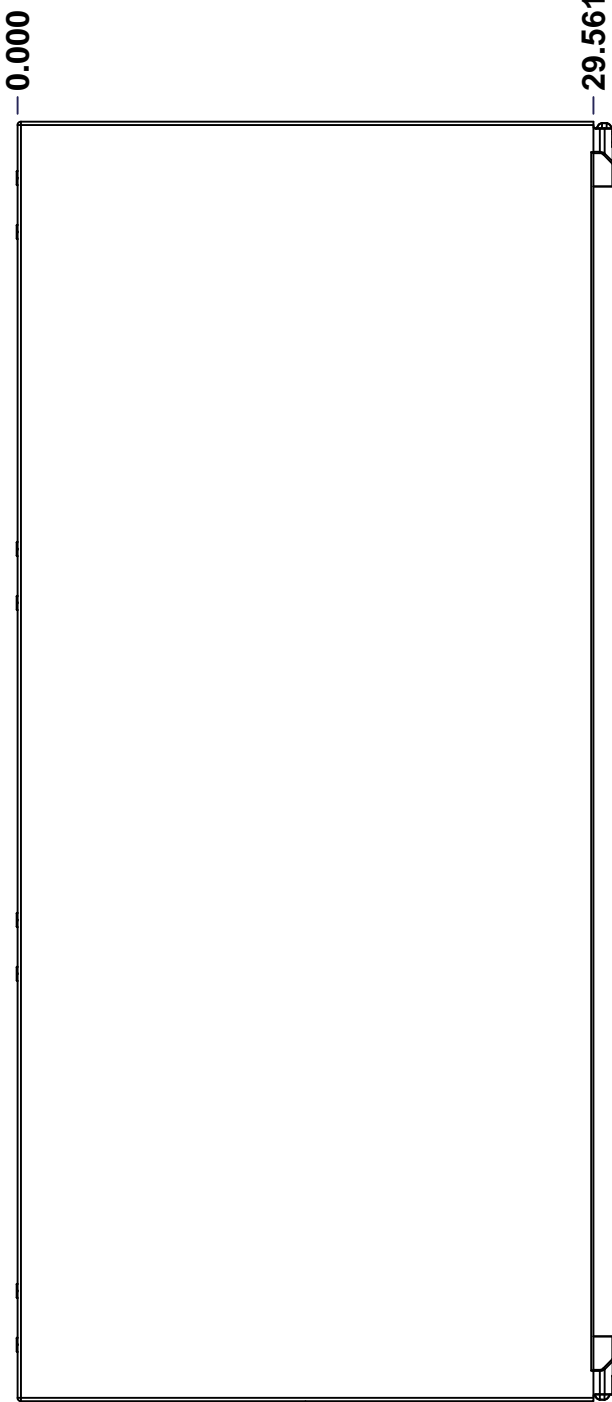
BACK



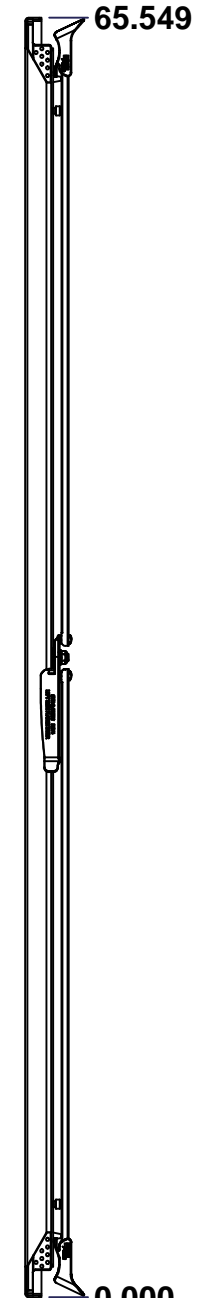
BOTTOM



LEFT

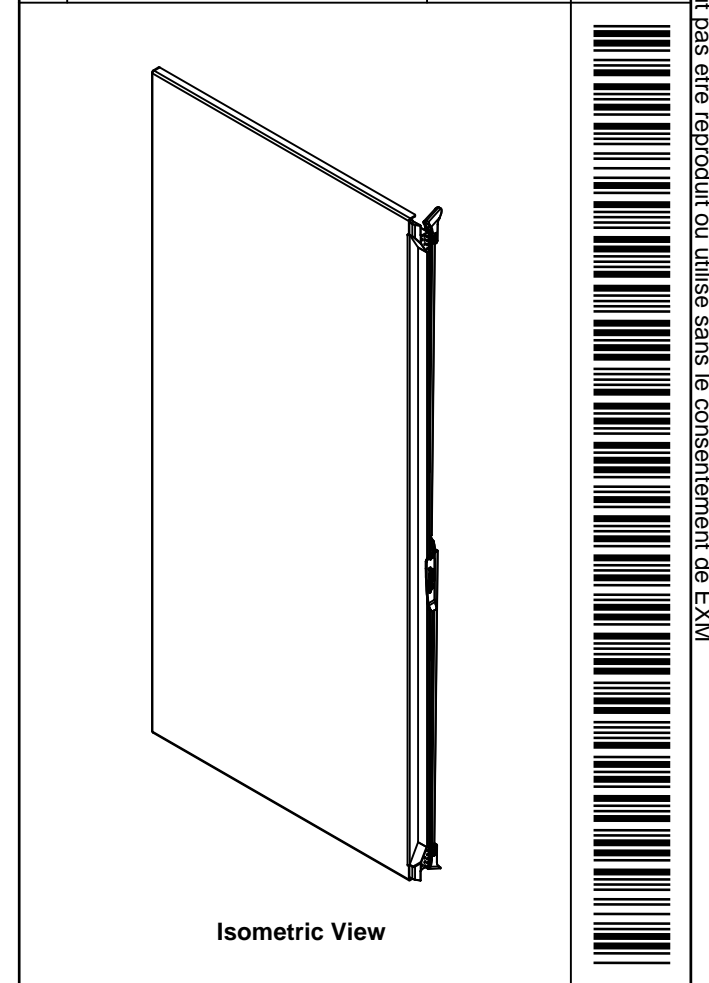



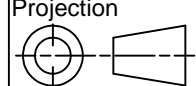
FRONT



RIGHT

No.	Revisions	Date	By/Par



 Tél: (450) 979-4373 Fax: (450) 979-4626 <a href="http://www.exmweb.com">www.exmweb.com</a>		Flatness Aplatissement Max 3.0mm	
		Projection 	
Customer Client		Date	
Drawn By Dessiné Par BoxCad: BoxCad		Date 28-Oct-14	
Material Matière 12 Ga Cold Rolled A1008 CS Type B (2.5mm)			
Color Couleur Asa-61 Grey		Finish Fini Smooth	
Description 9500DADD 72" x 60" Front Flange Door			Detail Rev.
Part Number Numéro Pièce <b>9500DADD726036FD</b>		Rev. <b>0</b>	1 3

SEE BILL OF MATERIAL ON LAST PAGE

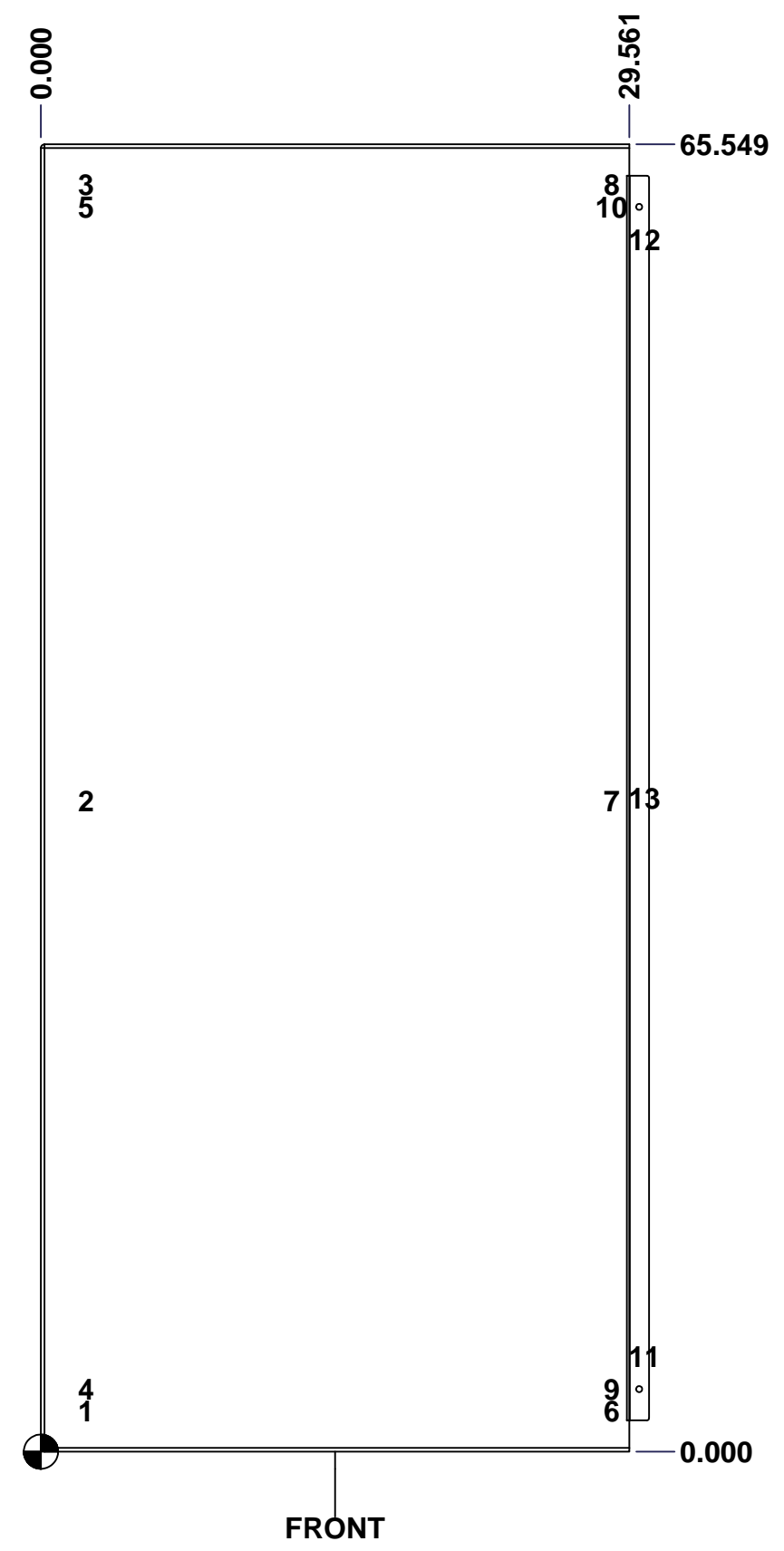
This drawing is confidential and must not be reproduced or used without the consent of EXM

Ce dessin est confidentiel et ne doit pas être reproduit ou utilisé sans le consentement de EXM

**STANDARD FEATURES ARE NOT LISTED IN THIS HOLE TABLE**

**HOLE TABLE - FRONT VIEW (CUSTOM FEATURE ONLY)**

CUT-OUT	XDIM	YDIM	DESCRIPTION
1	2.000	2.028	STUD M6 x 18mm (Inside)
2	2.000	32.628	STUD M6 x 18mm (Inside)
3	2.000	63.521	STUD M6 x 18mm (Inside)
4	2.000	3.139	STUD M6 x 18mm (Inside)
5	2.000	62.409	STUD M6 x 18mm (Inside)
6	28.407	2.028	STUD M6 x 18mm (Inside)
7	28.407	32.628	STUD M6 x 18mm (Inside)
8	28.407	63.521	STUD M6 x 18mm (Inside)
9	28.407	3.139	STUD M6 x 18mm (Inside)
10	28.407	62.409	STUD M6 x 18mm (Inside)
11	30.061	4.774	CLOSING BAR GUIDE (Inside)
12	30.061	60.774	CLOSING BAR GUIDE (Inside)
13	30.061	32.774	STUD M10 x 20mm (Inside)



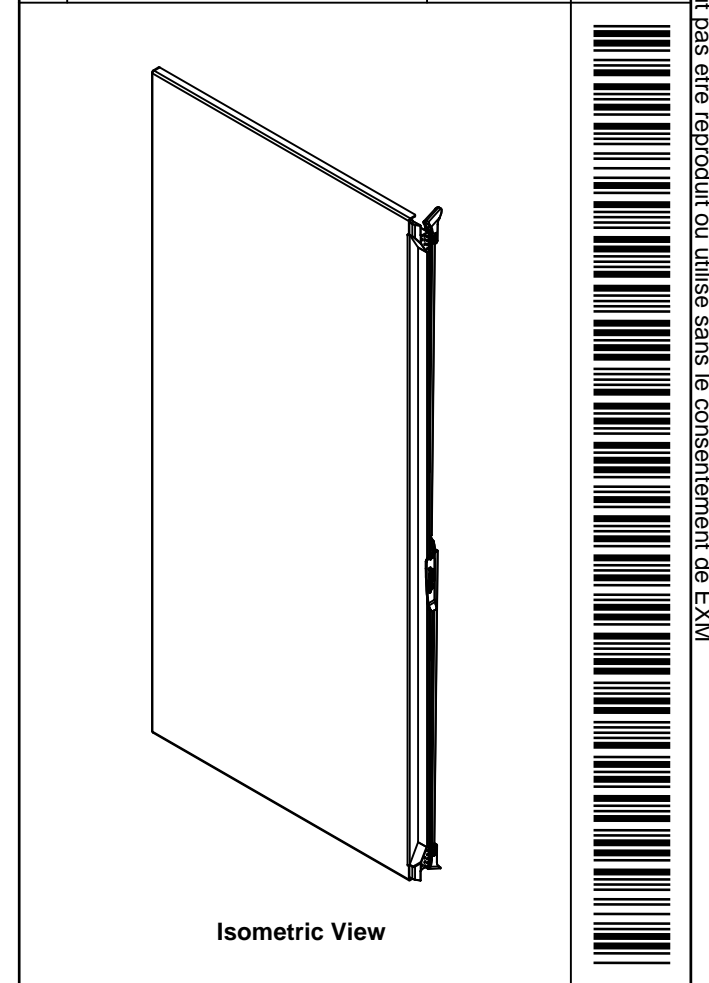
FRONT

	Description	Status
	9500DADD 72" x 60" Front Flange Door	(NULL)
	Part Number Numéro Pièce	Rev.
	<b>9500DADD726036FD</b>	<b>0</b>
		2
		3

This drawing is confidential and must not be reproduced or used without the consent of EXM

Ce dessin est confidentiel et ne doit pas être reproduit ou utilisé sans le consentement de EXM

No.	Revisions	Date	By/Par



1	STK-P-02400S	0	Powder Paint (Asa-61 Grey / Smooth)
1	STK-G-03400	0	5500 DD Lower Flange Door Gasket
1	STK-G-03300	0	5500 DD Upper Flange Door Gasket
2	STK-Q-90045	0	Cabinet - Closing Bar End
2	STK-Q-45660-72	2	9500 DD - Flange Door Closing Bar
1	STK-K-50556	4	9500 DD - Flange Door Handle Assy
1	STK-K-20840	3	9500 - Flange Door Stiffener Assembly
1	STK-Q-16122	1	Stud M10 x 20mm
1	STK-G-00701	0	1" x 1/4" Self-Adhesive Neoprene Gasket
1	9500DADD726036FDG	0	9500DADD 72" x 60" Flange Door Gasket
2	STK-Q-16405	6	Guide Stud - Small (No Paint Cap Required)
10	STK-Q-16055	1	M6 x 18mm Stud (No Paint Cap Required)
1	9500DADD726036FD-P	0	9500DADD 72" x 60" Front Flange Door Part
4	STK-K-09860	7	Cabinet Hinge with Captive Pins
Qty	Part Name	Rev	Description
Parts List			

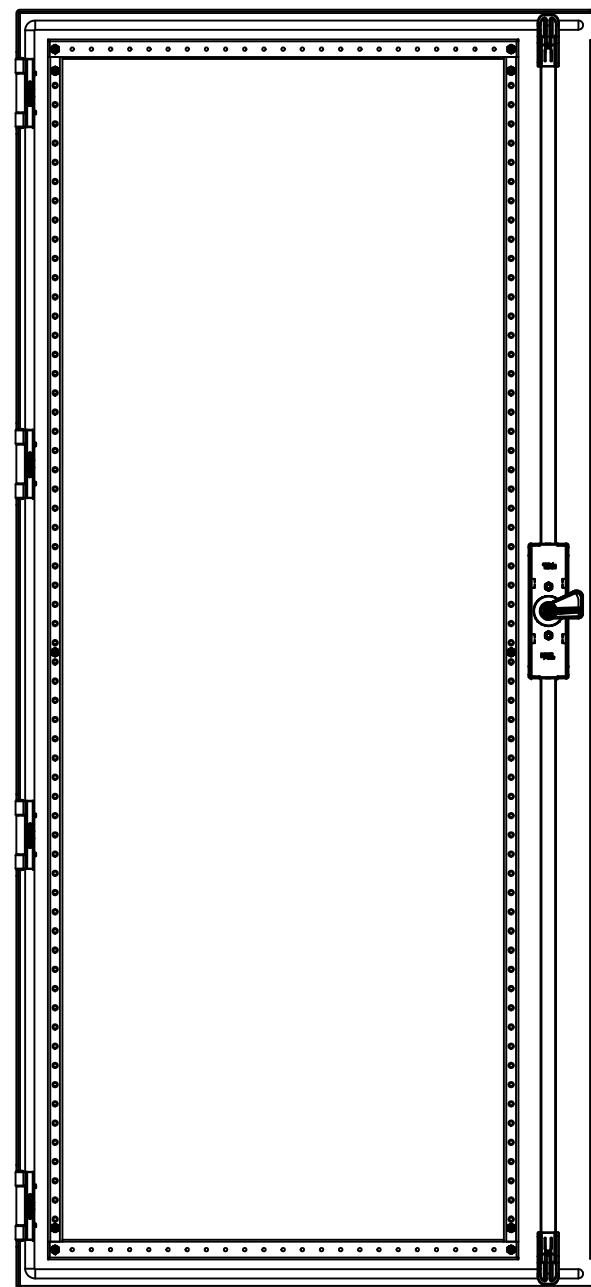
Tél: (450) 979-4373 Fax: (450) 979-4626 <a href="http://www.exmweb.com">www.exmweb.com</a>	Flatness Aplatissement	Max 3.0mm
	Projection	
Customer Client	Date	
Drawn By Dessiné Par	BoxCad: BoxCad	Date 28-Oct-14
Material Matière	12 Ga Cold Rolled A1008 CS Type B (2.5mm)	
Color Couleur	Asa-61 Grey	Finish Fini Smooth
Description	Detail Rev.	
9500DADD 72" x 60" Front Flange Door		
Part Number Numéro Pièce	Rev. 3	3
<b>9500DADD726036FD</b>		<b>0</b>

This drawing is confidential and must not be reproduced or used without the consent of EXM

Ce dessin est confidentiel et ne doit pas être reproduit ou utilisé sans le consentement de EXM



TOP

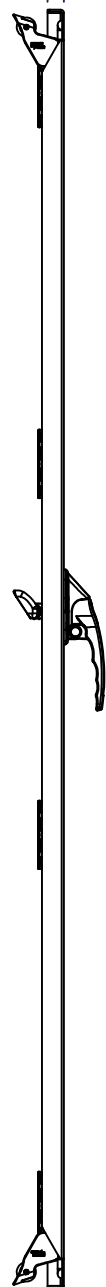


BACK



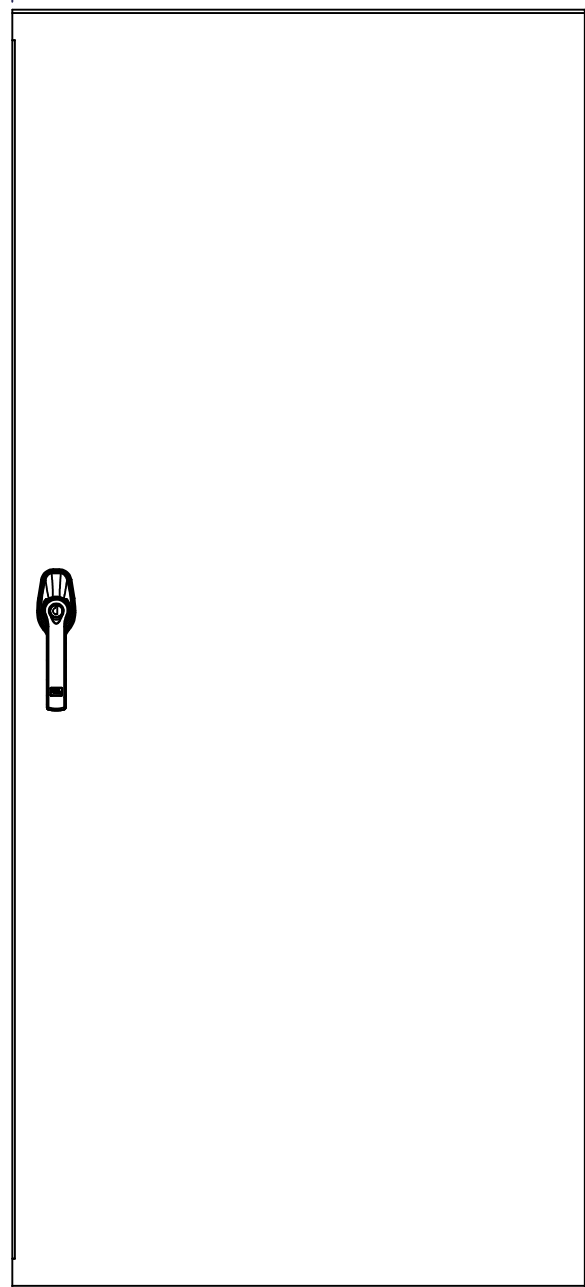
BOTTOM

0.000  
0.835



LEFT

29.561



FRONT

0.000

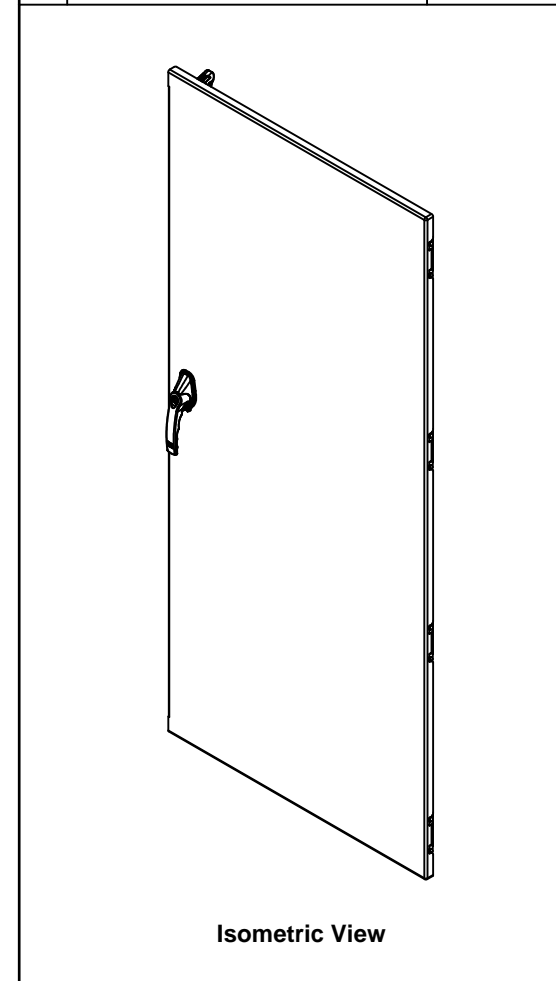
65.549



RIGHT

0.000

No.	Revisions	Date	By/Par



Isometric View



Tél: (450) 979-4373 Fax: (450) 979-4626 <a href="http://www.exmweb.com">www.exmweb.com</a>		Flatness Aplatissement Max 3.0mm Projection 
Customer Client	BoxCad: BoxCad	Date 28-Oct-14
Material Matière 12 Ga Cold Rolled A1008 CS Type B (2.5mm)		
Color Couleur Asa-61 Grey	Finish Fini Smooth	
Description 9500DADD 72" x 60" Back Lock Door		Detail Rev.
Part Number Numéro Pièce 9500DADD726036LB	Rev. 0	1 / 3

SEE BILL OF MATERIAL ON LAST PAGE

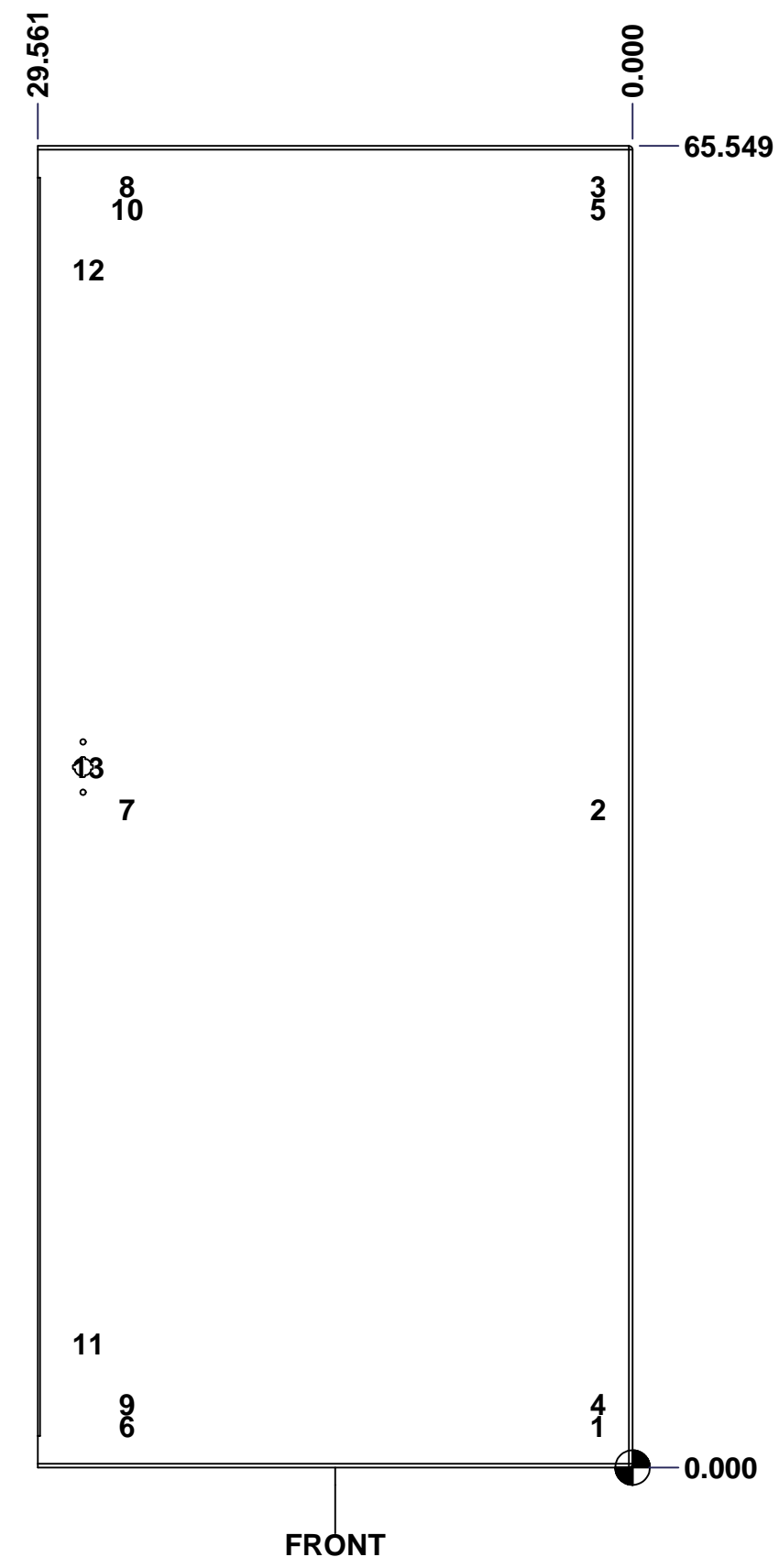
This drawing is confidential and must not be reproduced or used without the consent of EXM

Ce dessin est confidentiel et ne doit pas être reproduit ou utilisé sans le consentement de EXM

**STANDARD FEATURES ARE NOT LISTED IN THIS HOLE TABLE**

**HOLE TABLE - FRONT VIEW (CUSTOM FEATURE ONLY)**

CUT-OUT	XDIM	YDIM	DESCRIPTION
1	1.983	2.028	STUD M6 x 18mm (Inside)
2	1.983	32.628	STUD M6 x 18mm (Inside)
3	1.983	63.521	STUD M6 x 18mm (Inside)
4	1.983	3.139	STUD M6 x 18mm (Inside)
5	1.983	62.409	STUD M6 x 18mm (Inside)
6	25.390	2.028	STUD M6 x 18mm (Inside)
7	25.390	32.628	STUD M6 x 18mm (Inside)
8	25.390	63.521	STUD M6 x 18mm (Inside)
9	25.390	3.139	STUD M6 x 18mm (Inside)
10	25.390	62.409	STUD M6 x 18mm (Inside)
11	27.311	6.118	STUD M6 x 18mm (Inside)
12	27.311	59.430	STUD M6 x 18mm (Inside)
-----	-----	-----	-----
13	27.311	34.743	HANDLE 885 ESL2A-APHK @ 0.0°



FRONT

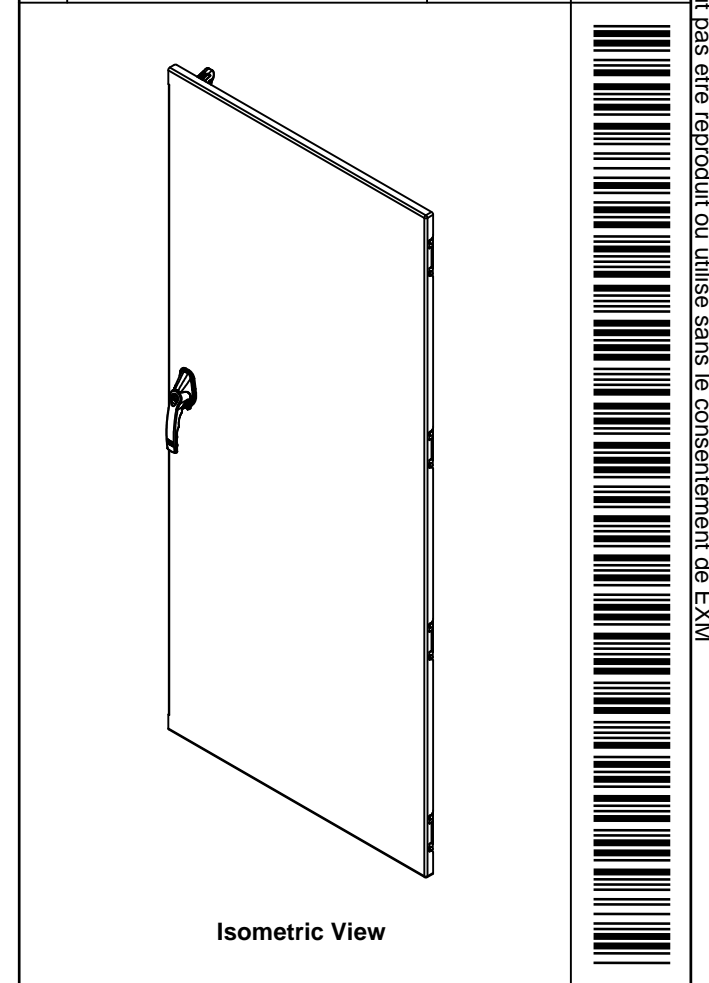
	Description	Status
	9500DADD 72" x 60" Back Lock Door	(NULL)
	Part Number Numéro Pièce	Rev.
	<b>9500DADD726036LB</b>	<b>0</b> / 2 / 3




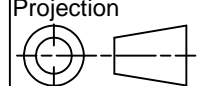
This drawing is confidential and must not be reproduced or used without the consent of EXM

Ce dessin est confidentiel et ne doit pas être reproduit ou utilisé sans le consentement de EXM

No.	Revisions	Date	By/Par



Qty	Part Name	Rev	Description
1	STK-Q-47527	1	9500 Lower Closing Bar 72"
1	STK-Q-47517	1	9500 Upper Closing Bar 72"
1	STK-A-03986-36	2	Gearbox Counterclockwise Assembly (36.0mm)
1	885ESL2A-APHK	6	885 ESL2A-APHK - Zinc Die Cast L-Handle Padlockable Assy
1	STK-P-02400S	0	Powder Paint (Asa-61 Grey / Smooth)
1	9500DADD726036LDG	0	9500DADD 72" x 60" Lock Door Gasket
1	STK-K-10840	3	9500 - Door Stiffener Assembly
2	STK-Q-16410	0	Guide Stud - Largel (No Paint Cap Required)
10	STK-Q-16055	1	M6 x 18mm Stud (No Paint Cap Required)
1	9500DADD726036LB-P	0	9500DADD 72" x 60" Back Lock Door Part
4	STK-K-09860	7	Cabinet Hinge with Captive Pins
2	STK-A-90025	0	9500 - Cabinet Closing Bar End (Large)
Parts List			

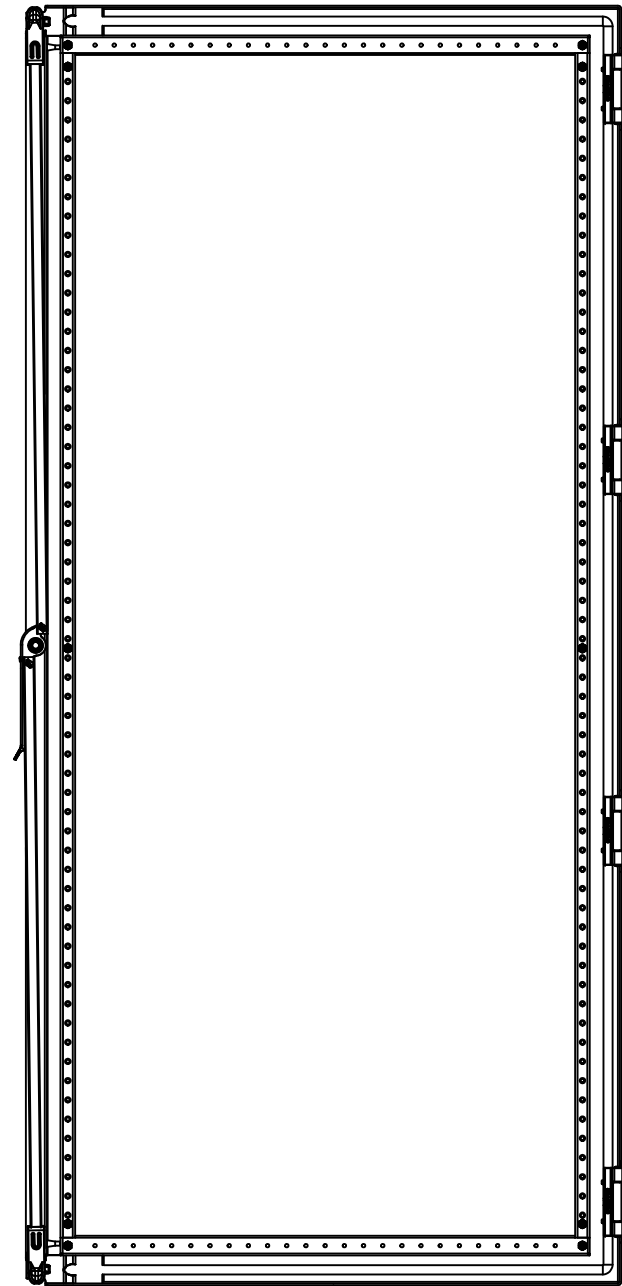
 Tél: (450) 979-4373 Fax: (450) 979-4626 <a href="http://www.exmweb.com">www.exmweb.com</a>		Flatness Aplatissement Max 3.0mm Projection 
Customer Client	Date	Date 28-Oct-14
Drawn By Dessiné Par	BoxCad: BoxCad	
Material Matière	12 Ga Cold Rolled A1008 CS Type B (2.5mm)	
Color Couleur	Asa-61 Grey	Finish Fini Smooth
Description	Detail Rev.	
9500DADD 72" x 60" Back Lock Door		
Part Number Numéro Pièce	Rev.	3
<b>9500DADD726036LB</b>	<b>0</b>	<b>3</b>

This drawing is confidential and must not be reproduced or used without the consent of EXM

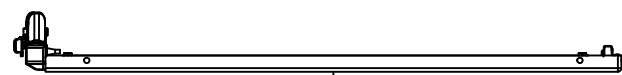
Ce dessin est confidentiel et ne doit pas être reproduit ou utilisé sans le consentement de EXM



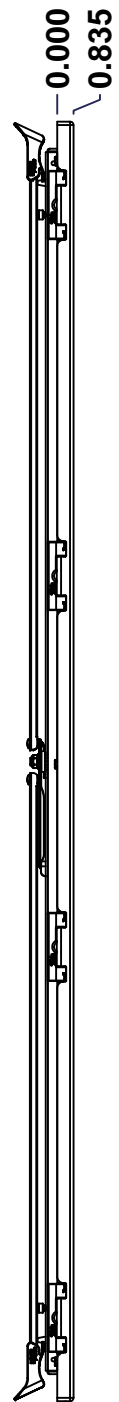
TOP



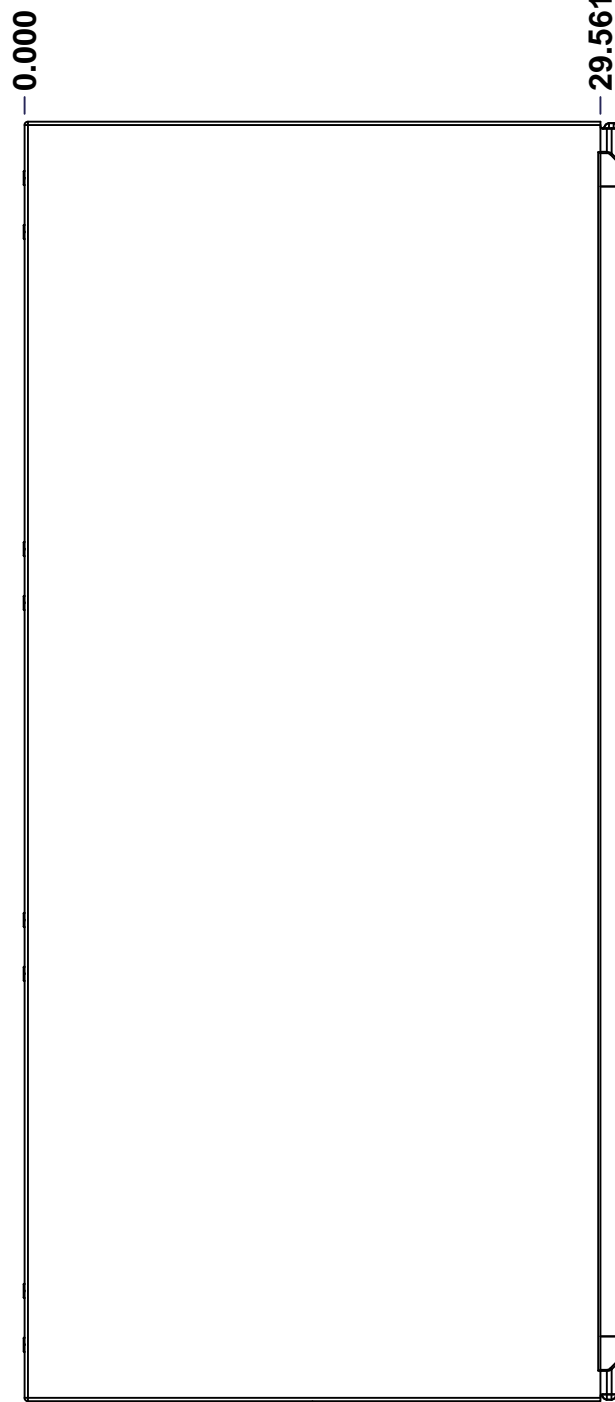
BACK



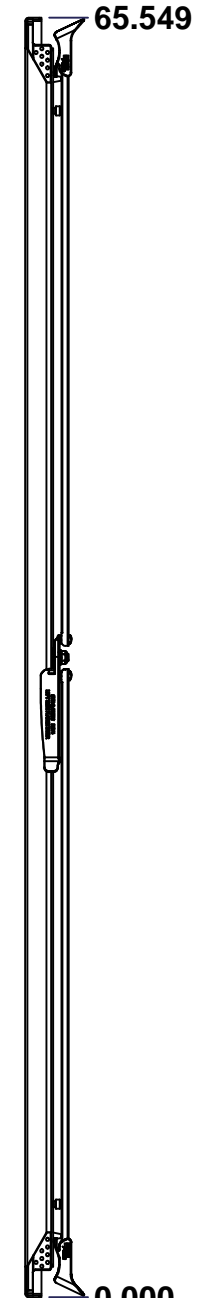
BOTTOM



LEFT

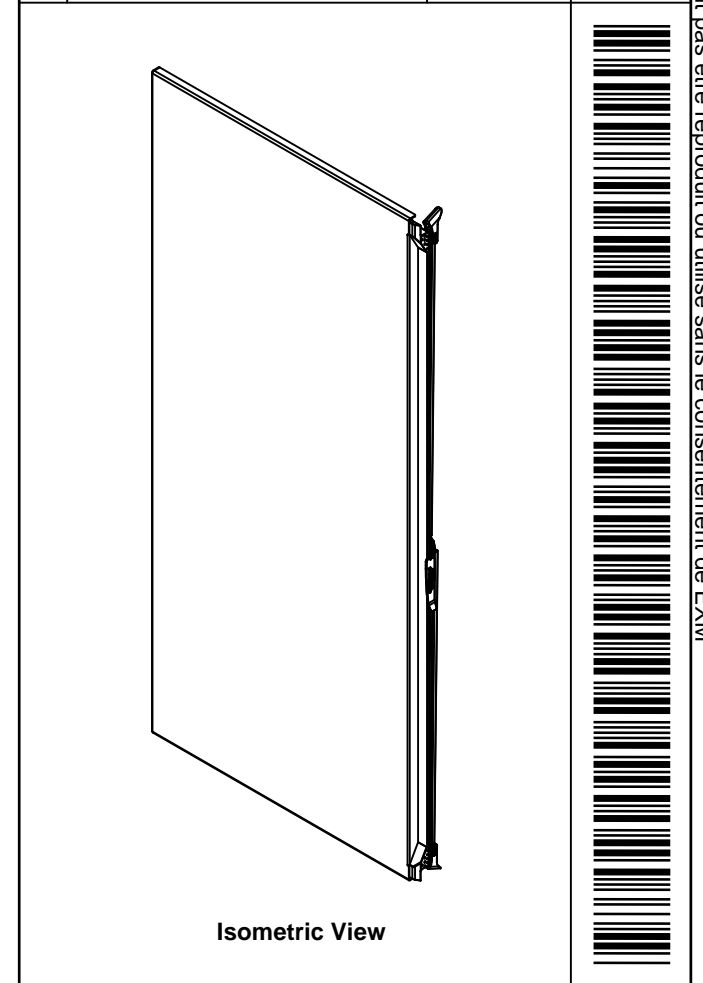


FRONT



RIGHT

No.	Revisions	Date	By/Par



Tél: (450) 979-4373 Fax: (450) 979-4626 <a href="http://www.exmweb.com">www.exmweb.com</a>		Flatness Aplatissement	
		Max 3.0mm	
Customer Client		Date	
Drawn By Dessiné Par BoxCad: BoxCad		Date 28-Oct-14	
Material Matière 12 Ga Cold Rolled A1008 CS Type B (2.5mm)		Projection	
Color Couleur Asa-61 Grey		Finish Fini Smooth	
Description 9500DADD 72" x 60" Back Flange Door		Detail Rev.	
Part Number Numéro Pièce <b>9500DADD726036FB</b>		Rev. <b>0</b>	1 3

SEE BILL OF MATERIAL ON LAST PAGE

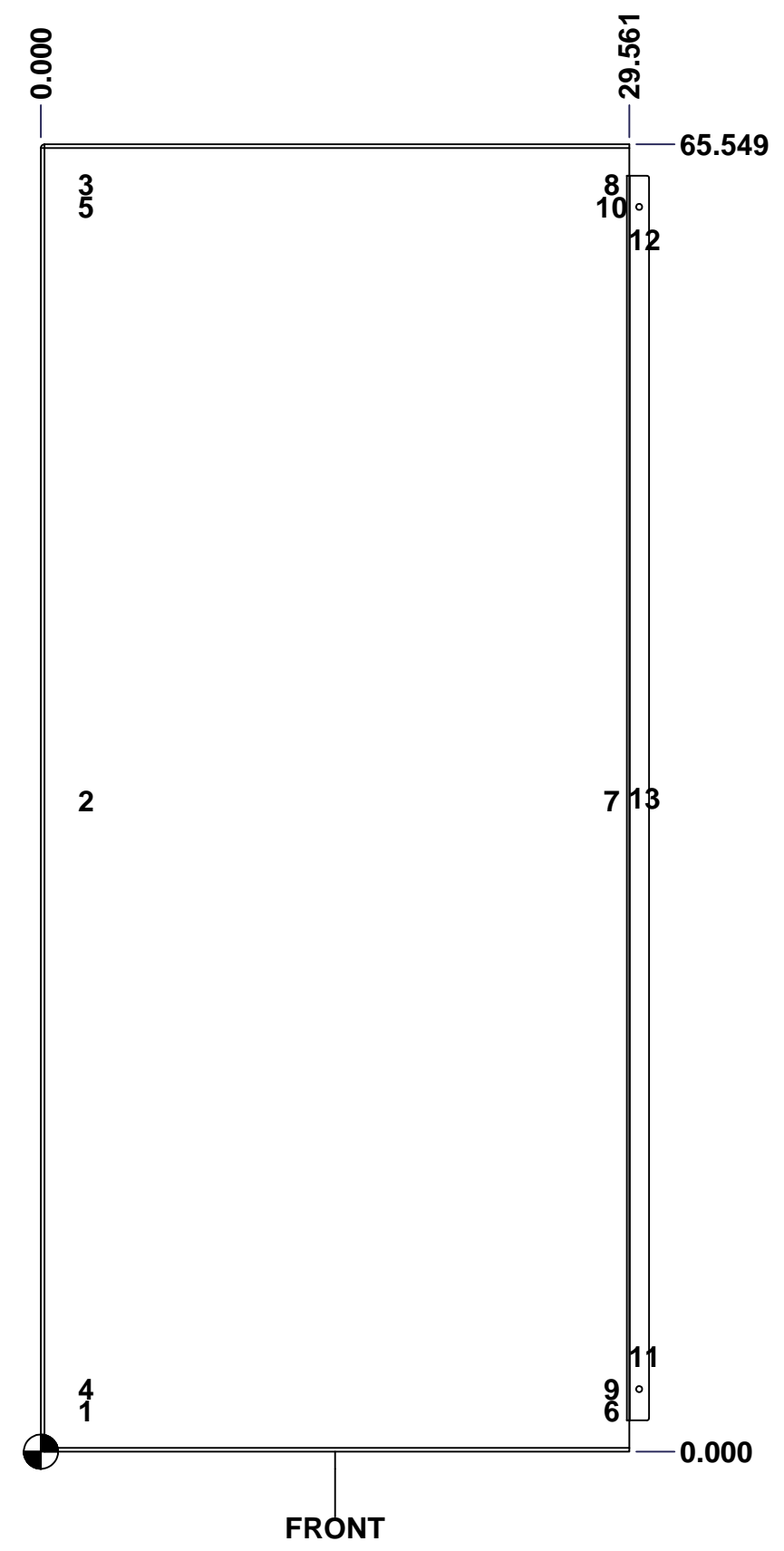
This drawing is confidential and must not be reproduced or used without the consent of EXM

Ce dessin est confidentiel et ne doit pas être reproduit ou utilisé sans le consentement de EXM

**STANDARD FEATURES ARE NOT LISTED IN THIS HOLE TABLE**

**HOLE TABLE - FRONT VIEW (CUSTOM FEATURE ONLY)**

CUT-OUT	XDIM	YDIM	DESCRIPTION
1	2.000	2.028	STUD M6 x 18mm (Inside)
2	2.000	32.628	STUD M6 x 18mm (Inside)
3	2.000	63.521	STUD M6 x 18mm (Inside)
4	2.000	3.139	STUD M6 x 18mm (Inside)
5	2.000	62.409	STUD M6 x 18mm (Inside)
6	28.407	2.028	STUD M6 x 18mm (Inside)
7	28.407	32.628	STUD M6 x 18mm (Inside)
8	28.407	63.521	STUD M6 x 18mm (Inside)
9	28.407	3.139	STUD M6 x 18mm (Inside)
10	28.407	62.409	STUD M6 x 18mm (Inside)
11	30.061	4.774	CLOSING BAR GUIDE (Inside)
12	30.061	60.774	CLOSING BAR GUIDE (Inside)
13	30.061	32.774	STUD M10 x 20mm (Inside)

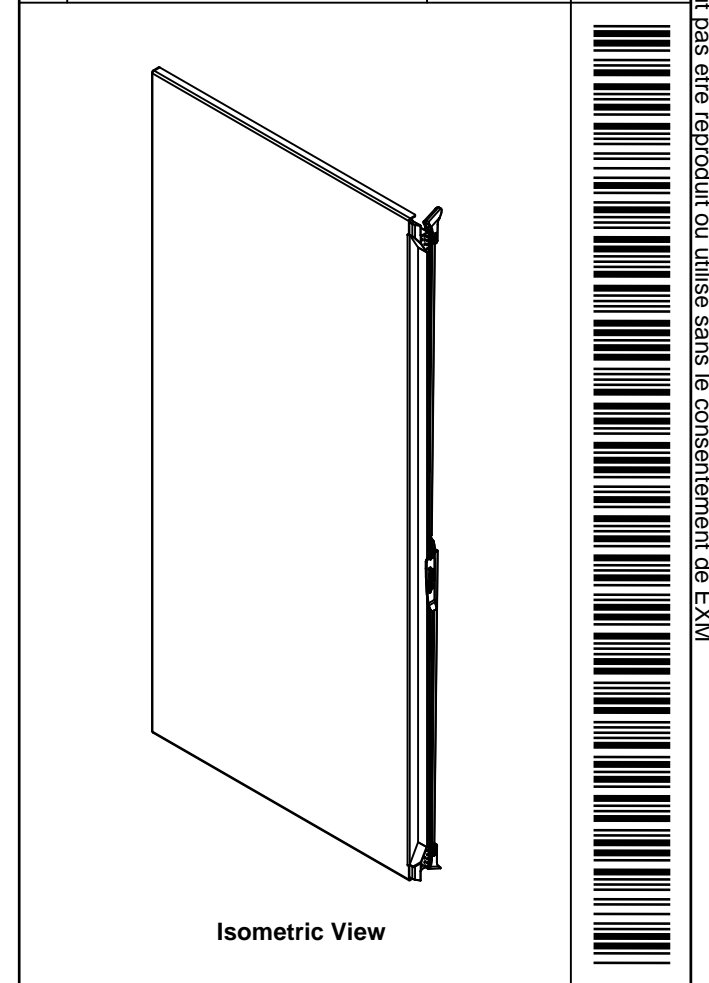


	Description	Status
	9500DADD 72" x 60" Back Flange Door	(NULL)
	Part Number	Rev.
	Numéro Pièce	2
	<b>9500DADD726036FB</b>	<b>0</b>
		3


This drawing is confidential and must not be reproduced or used without the consent of EXM

Ce dessin est confidentiel et ne doit pas être reproduit ou utilisé sans le consentement de EXM

No.	Revisions	Date	By/Par



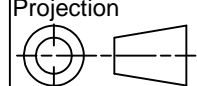
Qty	Part Name	Rev	Description
1	STK-P-02400S	0	Powder Paint (Asa-61 Grey / Smooth)
1	STK-G-03400	0	5500 DD Lower Flange Door Gasket
1	STK-G-03300	0	5500 DD Upper Flange Door Gasket
2	STK-Q-90045	0	Cabinet - Closing Bar End
2	STK-Q-45660-72	2	9500 DD - Flange Door Closing Bar
1	STK-K-50556	4	9500 DD - Flange Door Handle Assy
1	STK-K-20840	3	9500 - Flange Door Stiffener Assembly
1	STK-Q-16122	1	Stud M10 x 20mm
1	STK-G-00701	0	1" x 1/4" Self-Adhesive Neoprene Gasket
1	9500DADD726036FDG	0	9500DADD 72" x 60" Flange Door Gasket
2	STK-Q-16405	6	Guide Stud - Small (No Paint Cap Required)
10	STK-Q-16055	1	M6 x 18mm Stud (No Paint Cap Required)
1	9500DADD726036FB-P	0	9500DADD 72" x 60" Back Flange Door Part
4	STK-K-09860	7	Cabinet Hinge with Captive Pins
Qty	Part Name	Rev	Description
Parts List			



Tél: (450) 979-4373  
Fax: (450) 979-4626  
[www.exmweb.com](http://www.exmweb.com)

Flatness  
Aplatissement  
Max 3.0mm

Projection



Customer Client		Date
Drawn By Dessiné Par	BoxCad: BoxCad	Date 28-Oct-14
Material Matière 12 Ga Cold Rolled A1008 CS Type B (2.5mm)		
Color Couleur	Asa-61 Grey	Finish Fini Smooth
Description 9500DADD 72" x 60" Back Flange Door		Detail Rev.
Part Number Numéro Pièce		Rev. 3
<b>9500DADD726036FB</b>		<b>0</b>

All knockouts are actual size / Les disques défonçables sont grandeur réel  
 All dimensions are before paint / Toutes les dimensions sont avant peinture

This drawing is confidential and must not be reproduced or used without the consent of EXM

Ce dessin est confidentiel et ne doit pas être reproduit ou utilisé sans le consentement de EXM

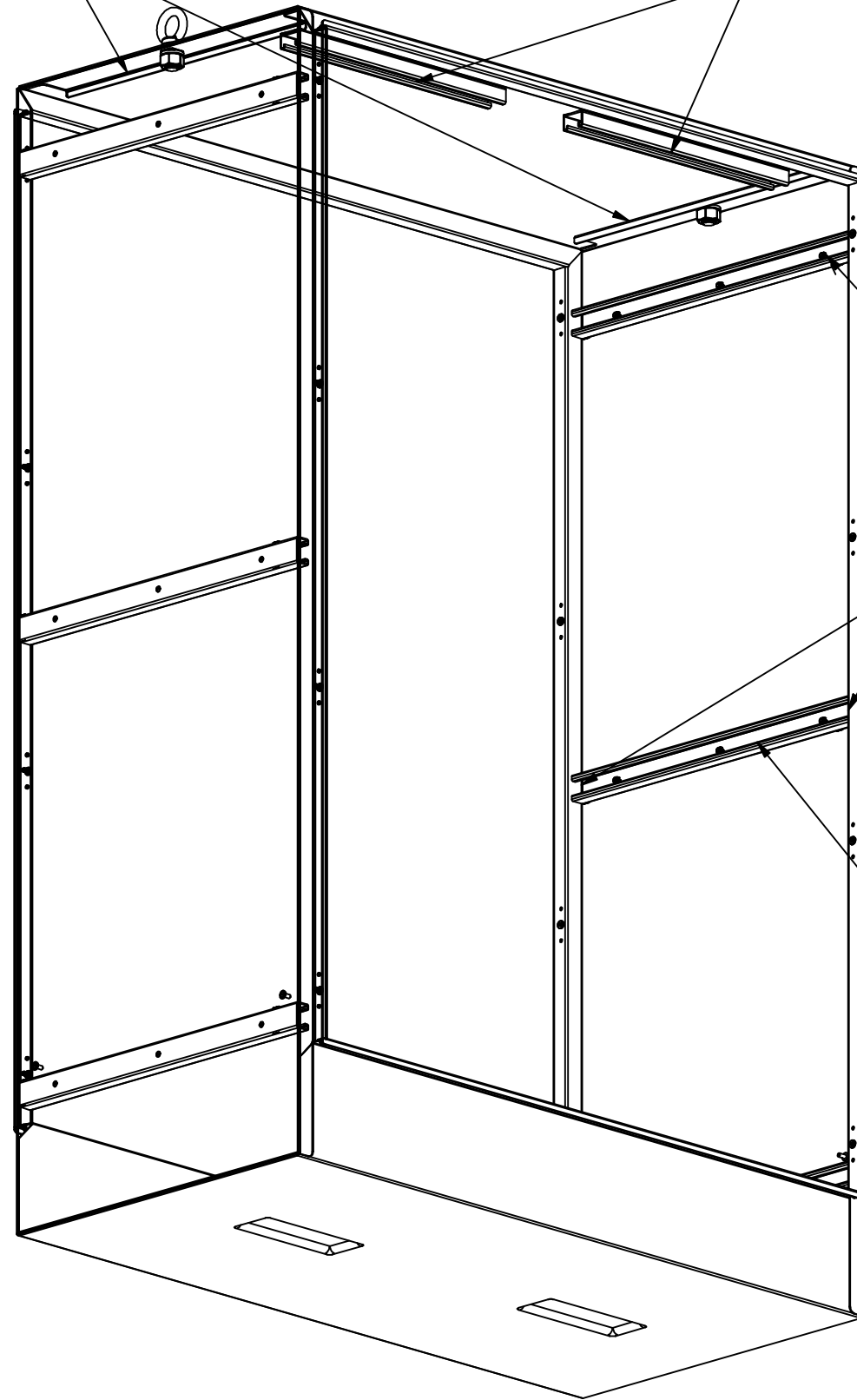
Lifting angles are the flanges of RS and LS top

Struts for light secured with stud only (No weld)

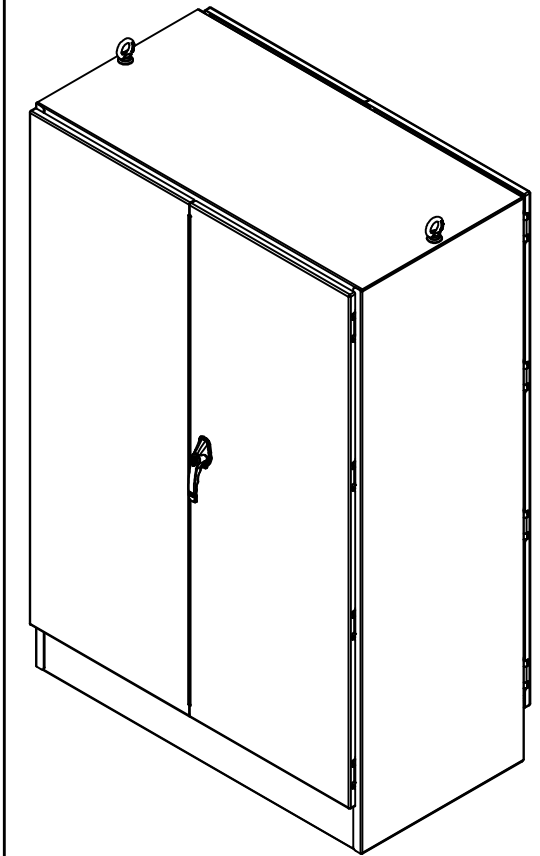
Struts secured with M6 x 10mm studs  
 No stud: C\_Depth < 12"  
 2 studs: 12" ≤ C\_Depth < 18"  
 3 studs: C\_Depth ≥ 18"

Weld inside of struts with the enclosure corner on both ends

Full depth struts length


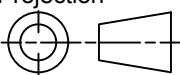


No.	Revisions	Date	By/Par



Isometric View



 Tél: (450) 979-4373 Fax: (450) 979-4626 <a href="http://www.exmweb.com">www.exmweb.com</a>		Flatness Aplatissement Max 3.0mm Projection 
Customer Client	Date	
Drawn By / Dessiné Par: PatrickD	Date: 3/9/2020	
Material / Matière	N/A	
Color / Couleur: N/A	Finish / Fini: N/A	
Description: 9500DADD Welding Detail	Detail Rev.	
Part Number / Numéro Pièce: 9500DADD_WELDING_DETAIL	Rev. 0	1 / 1