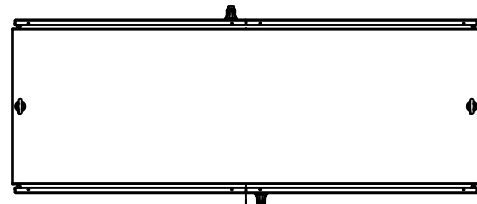
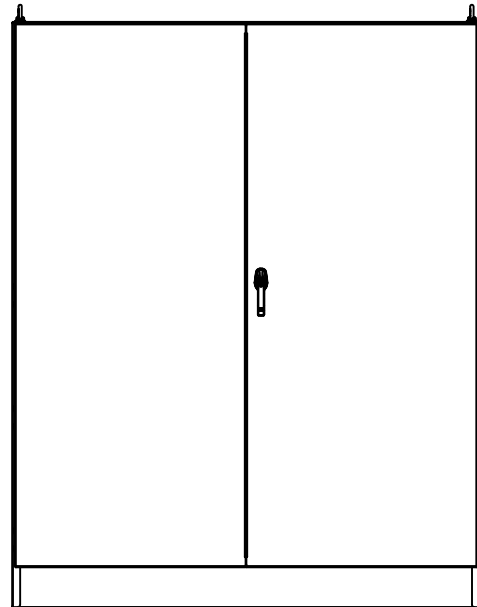


This drawing is confidential and must not be reproduced or used without the consent of EXM

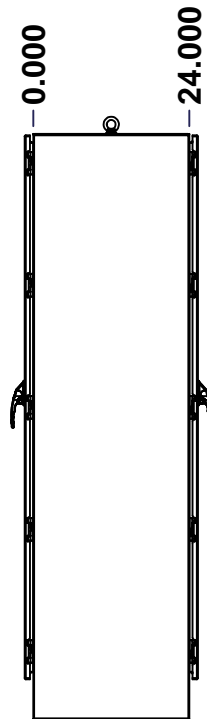
Ce dessin est confidentiel et ne doit pas être reproduit ou utilisé sans le consentement de EXM



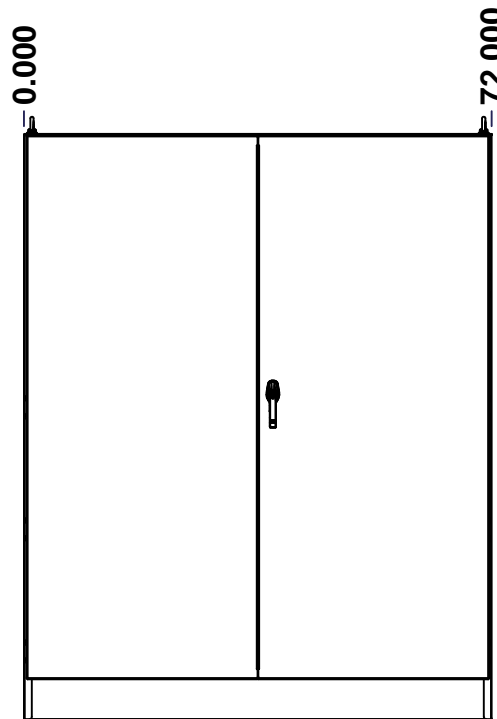
TOP



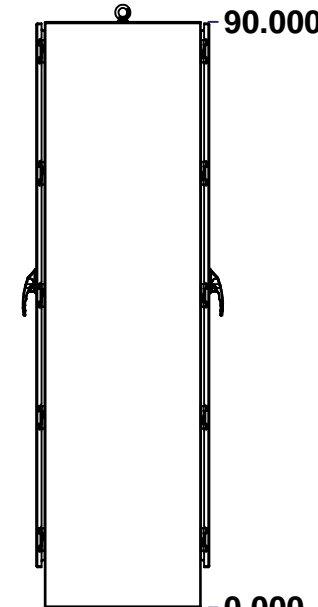
BACK



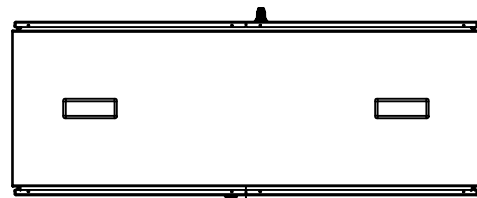
LEFT



FRONT

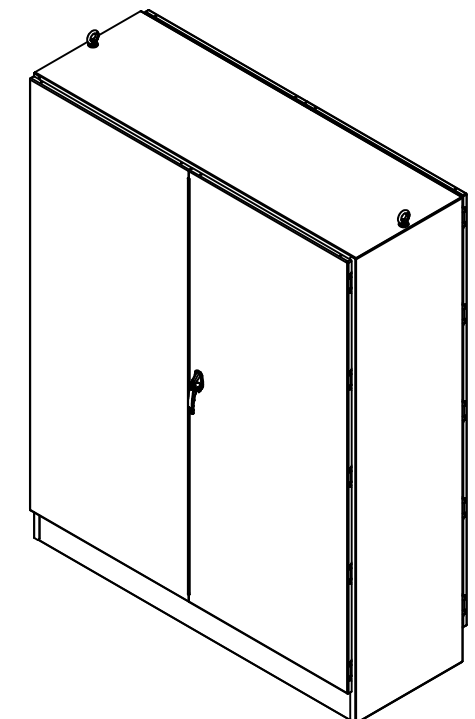


RIGHT



BOTTOM

No.	Revisions	Date	By/Par



Isometric View



Tél: (450) 979-4373
 Fax: (450) 979-4626
www.exmweb.com

Flatness
Aplatissement
Max 3.0mm
Projection

Customer Client	Date
Drawn By / Dessiné Par: BoxCad: BoxCad	Date: 28-Oct-14
Material / Matière: 12 Ga Cold Rolled A1008 CS Type B (2.5mm)	
Color / Couleur: Asa-61 Grey	Finish / Fini: Smooth
Description: 9500DADD 90" x 72" x 24" Assembly	Detail Rev.
Part Number / Numéro Pièce: 9500DADD907224	Rev. 1 0

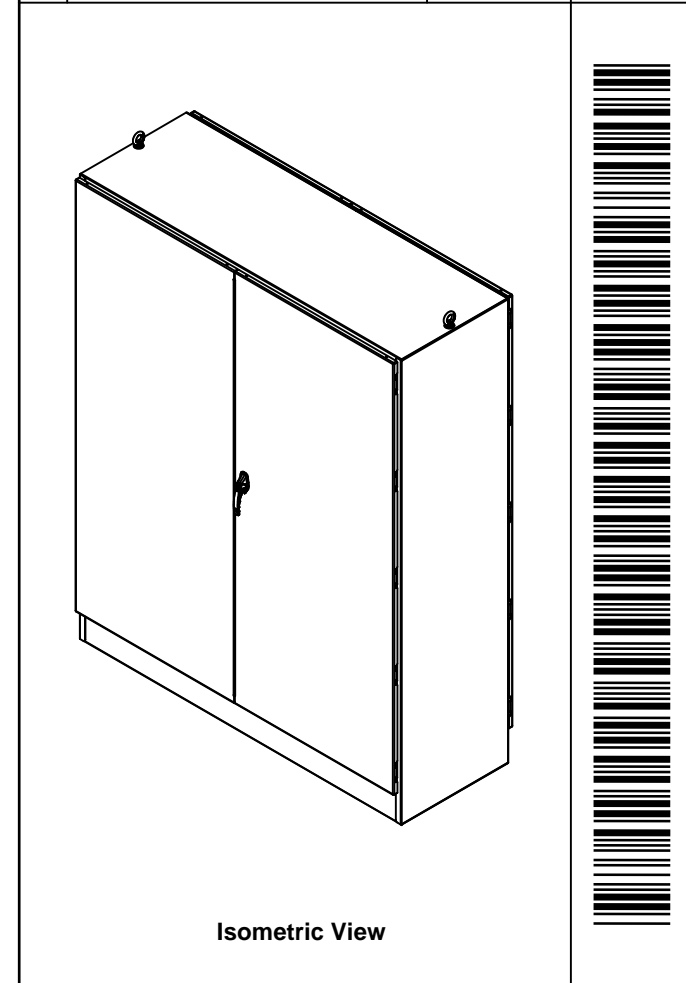
SEE BILL OF MATERIAL ON LAST PAGE

This drawing is confidential and must not be reproduced or used without the consent of EXM

Ce dessin est confidentiel et ne doit pas être reproduit ou utilisé sans le consentement de EXM


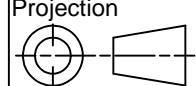
NOTE	
ITEM	DESCRIPTION
1	NEMA 12/13 Enclosure
2	C/W Standard ground studs on box and cover
3	C/W Standard door stiffener
4	W/O Inner panel
5	C/W Standard inner panel mounting struts
6	C/W Eyebolts
7	C/W Struts installed (Included)

No.	Revisions	Date	By/Par



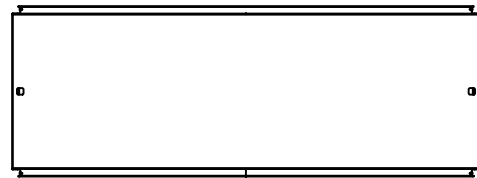
PACKING		
ITEM	QTY	DESCRIPTION
Cardboard sleeve	2	Top and Bottom
Cardboard strip	2	Between back of enclosure and inner panel
Plastic bag	1	To protect cover surface and inside gasket
Cardboard corner	4	To reinforced for the plastic strap tightening
Plastic strap - Black	2	To Squeeze 2 cardboard sleeve together
Packaging label	3	White label with PN
Plastic strap- Green	2	To secure the enclosure to the wood pallet
Wood Pallet	1	2" deeper and 3" larger than enclosure size

1	880EB14	2	Eye Bolt M14 (Pack of 2)
1	9500DADD907224FB	0	9500DADD 90" x 72" Back Flange Door
1	9500DADD907224LB	0	9500DADD 90" x 72" Back Lock Door
1	9500DADD907224FD	0	9500DADD 90" x 72" Front Flange Door
1	9500DADD907224LD	0	9500DADD 90" x 72" Front Lock Door
1	9500DADD907224B	0	9500DADD 90" x 72" x 24" Body
2	9500DADD907224GP	0	9500DADD Gland Plate
20	STK-Q-04050-10	8	M6 x 10mm Hexagon Socket Head Machine Screw with Nyseal
Qty	Part Number	Rev	Description
Parts List			

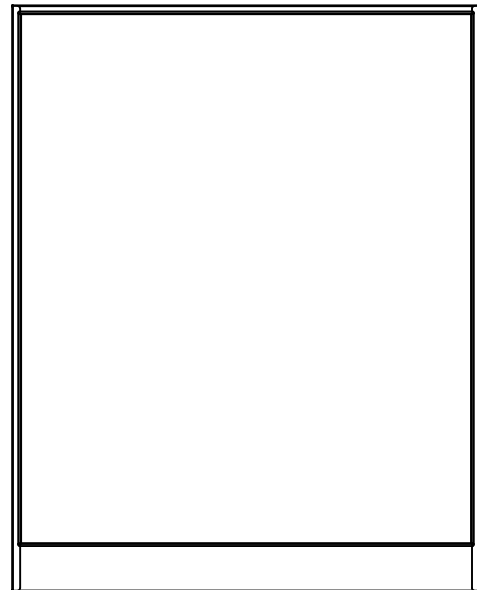
 Tél: (450) 979-4373 Fax: (450) 979-4626 www.exmweb.com		Flatness Aplatissement Max 3.0mm Projection 
Customer Client	Date	
Drawn By Dessiné Par	BoxCad: BoxCad	Date 28-Oct-14
Material Matière	12 Ga Cold Rolled A1008 CS Type B (2.5mm)	
Color Couleur	Asa-61 Grey	Finish Fini Smooth
Description	9500DADD 90" x 72" x 24" Assembly	
Part Number Numéro Pièce	9500DADD907224	Detail Rev. Rev. 2

This drawing is confidential and must not be reproduced or used without the consent of EXM

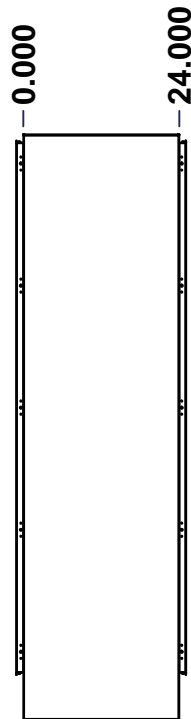
Ce dessin est confidentiel et ne doit pas être reproduit ou utilisé sans le consentement de EXM



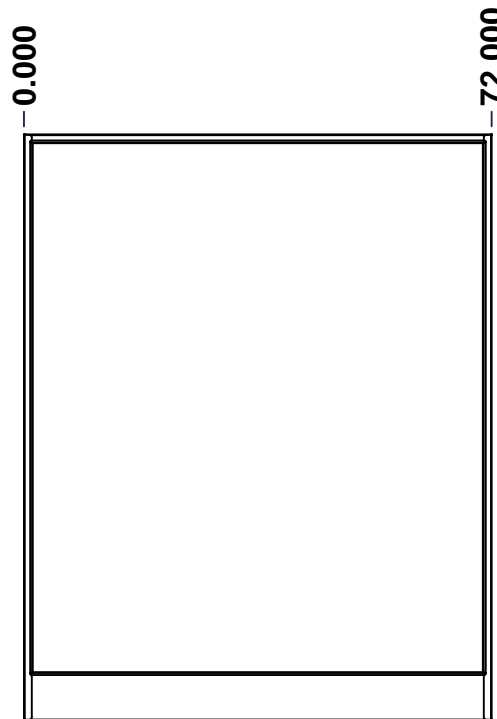
TOP



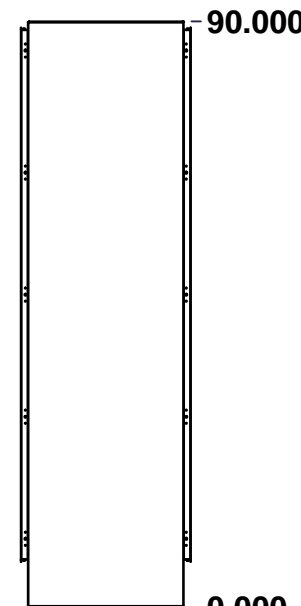
BACK



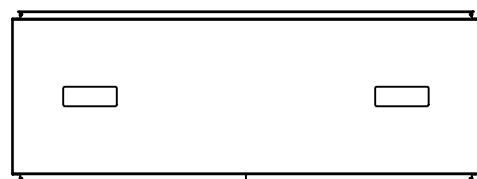
LEFT



FRONT

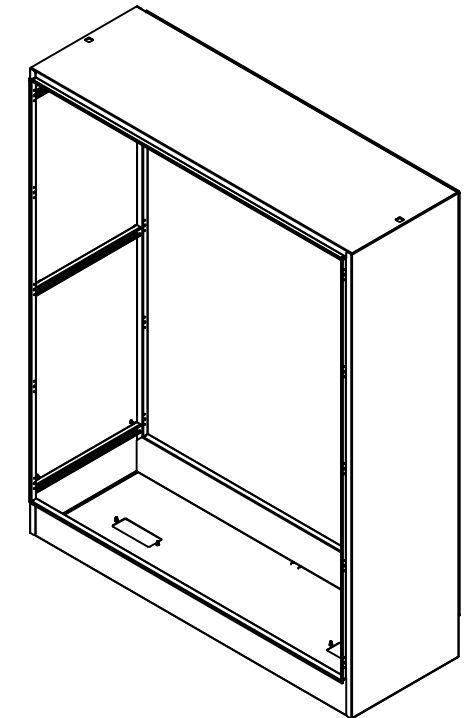


RIGHT



BOTTOM

No.	Revisions	Date	By/Par



Isometric View

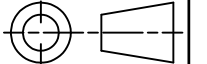


Tél: (450) 979-4373
 Fax: (450) 979-4626
www.exmweb.com

Flatness
Aplatissement

Max 3.0mm

Projection



Customer Client	Date
Drawn By / Dessiné Par: BoxCad: BoxCad	Date: 28-Oct-14
Material / Matière: 12 Ga Cold Rolled A1008 CS Type B (2.5mm)	
Color / Couleur: Asa-61 Grey	Finish / Fini: Smooth
Description: 9500DADD 90" x 72" x 24" Body	Detail Rev.
Part Number / Numéro Pièce: 9500DADD907224B	Rev. 1 0

SEE BILL OF MATERIAL ON LAST PAGE

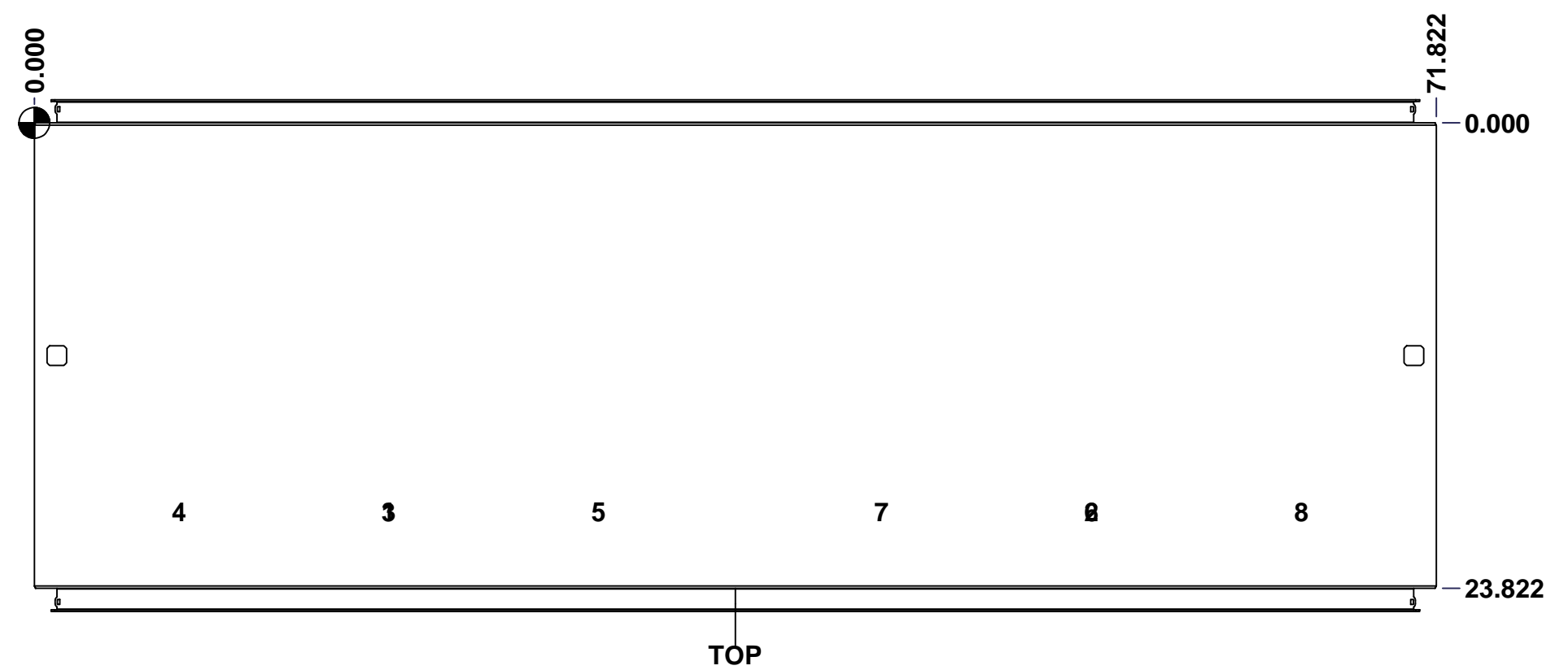
This drawing is confidential and must not be reproduced or used without the consent of EXM

Ce dessin est confidentiel et ne doit pas être reproduit ou utilisé sans le consentement de EXM

STANDARD FEATURES ARE NOT LISTED IN THIS HOLE TABLE

HOLE TABLE - TOP VIEW (CUSTOM FEATURE ONLY)

CUT-OUT	XDIM	YDIM	DESCRIPTION
1	17.911	20.000	Struts CR400 27.500" (Inside)
2	53.911	20.000	Struts CR400 27.500" (Inside)
3	17.911	20.000	STUDS M6 x 10mm (Inside)
4	7.161	20.000	STUDS M6 x 10mm (Inside)
5	28.661	20.000	STUDS M6 x 10mm (Inside)
6	53.911	20.000	STUDS M6 x 10mm (Inside)
7	43.161	20.000	STUDS M6 x 10mm (Inside)
8	64.661	20.000	STUDS M6 x 10mm (Inside)



	Description	Status	
	9500DADD 90" x 72" x 24" Body	Released	
	Part Number Numéro Pièce	Rev.	
	9500DADD907224B	0	2 / 7

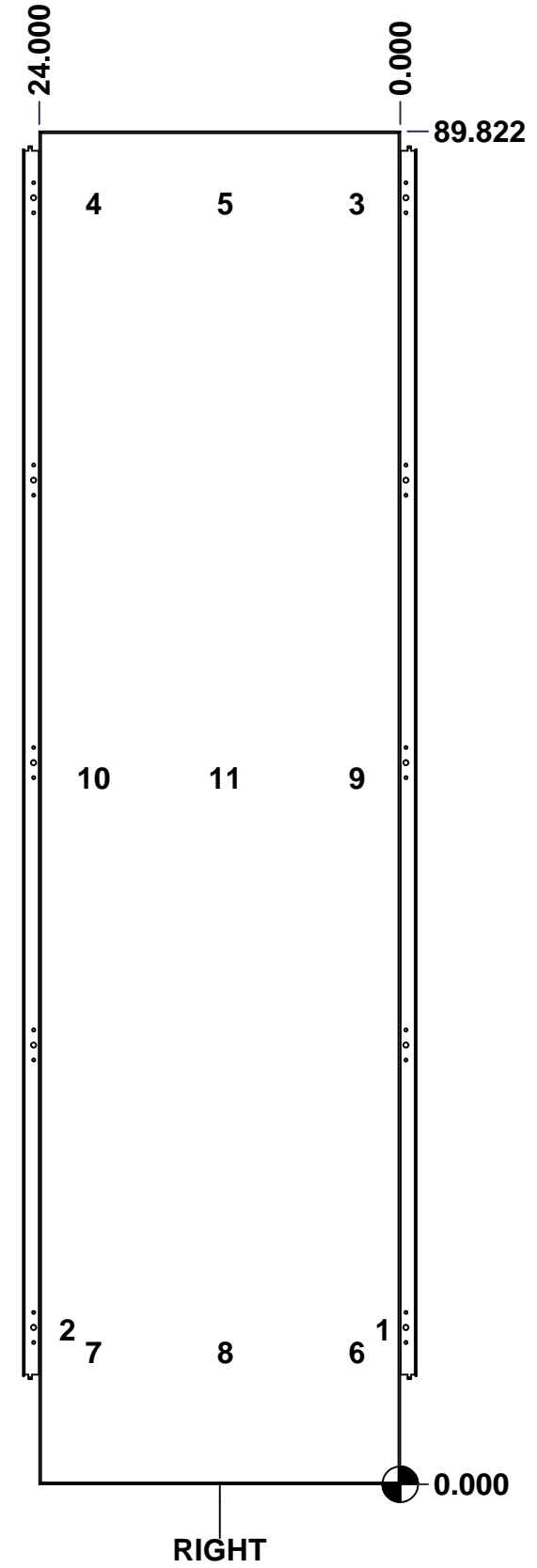
This drawing is confidential and must not be reproduced or used without the consent of EXM

Ce dessin est confidentiel et ne doit pas être reproduit ou utilisé sans le consentement de EXM

STANDARD FEATURES ARE NOT LISTED IN THIS HOLE TABLE

HOLE TABLE - RIGHT VIEW (CUSTOM FEATURE ONLY)

CUT-OUT	XDIM	YDIM	DESCRIPTION
1	1.500	10.286	GND STUD M6 x 16mm (Inside)
2	22.500	10.286	GND STUD M6 x 16mm (Inside)
3	3.250	85.036	STUDS M6 x 10mm (Inside)
4	20.750	85.036	STUDS M6 x 10mm (Inside)
5	12.000	85.036	STUDS M6 x 10mm (Inside)
6	3.250	8.786	STUDS M6 x 10mm (Inside)
7	20.750	8.786	STUDS M6 x 10mm (Inside)
8	12.000	8.786	STUDS M6 x 10mm (Inside)
9	3.250	46.911	STUDS M6 x 10mm (Inside)
10	20.750	46.911	STUDS M6 x 10mm (Inside)
11	12.000	46.911	STUDS M6 x 10mm (Inside)

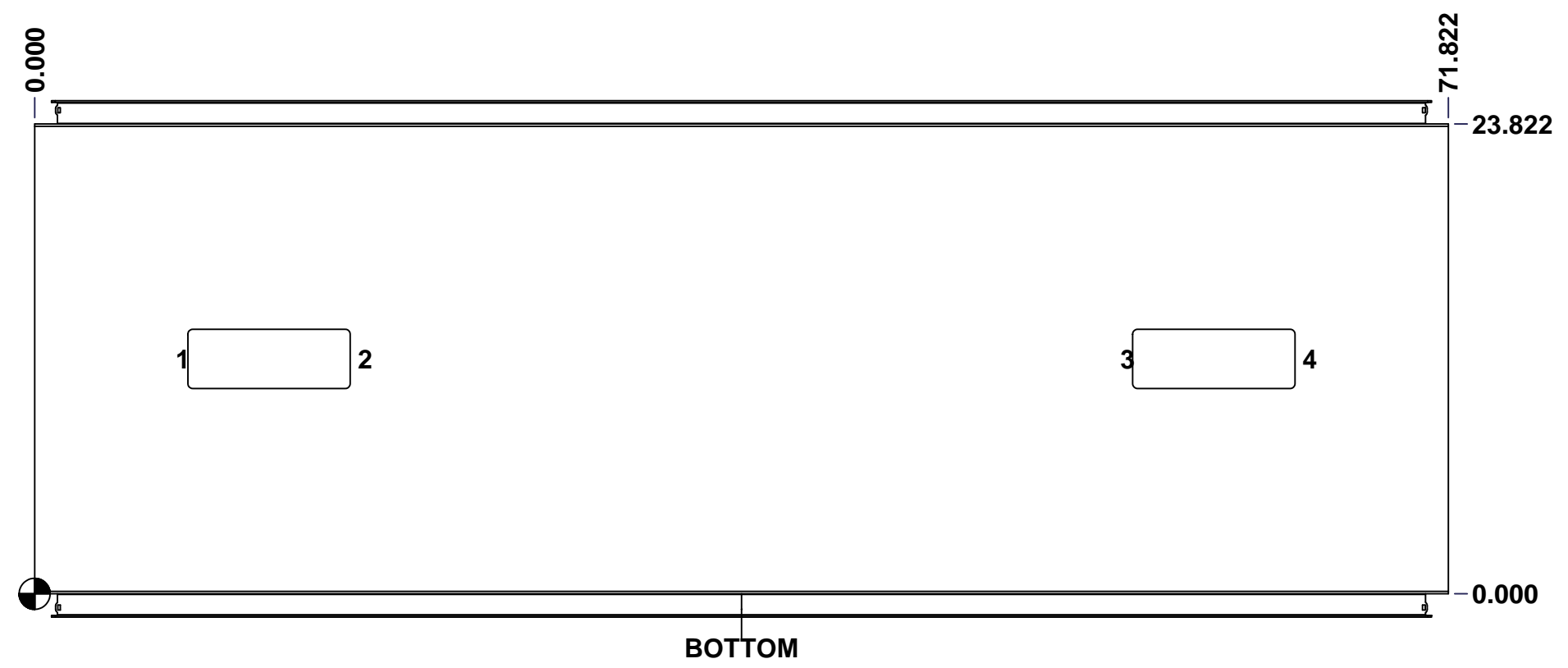


	Description	Status
	9500DADD 90" x 72" x 24" Body	Released
	Part Number Numéro Pièce	Rev.
	9500DADD907224B	0
		3 / 7

This drawing is confidential and must not be reproduced or used without the consent of EXM

Ce dessin est confidentiel et ne doit pas être reproduit ou utilisé sans le consentement de EXM

STANDARD FEATURES ARE NOT LISTED IN THIS HOLE TABLE			
HOLE TABLE - BOTTOM VIEW (CUSTOM FEATURE ONLY)			
CUT-OUT	XDIM	YDIM	DESCRIPTION
1	7.286	12.000	GP STUD M6 x 16mm (Inside)
2	16.536	12.000	GP STUD M6 x 16mm (Inside)
3	55.286	12.000	GP STUD M6 x 16mm (Inside)
4	64.536	12.000	GP STUD M6 x 16mm (Inside)



	Description	Status	
	9500DADD 90" x 72" x 24" Body	Released	
	Part Number Numéro Pièce	Rev.	
	9500DADD907224BB	0	4 / 7

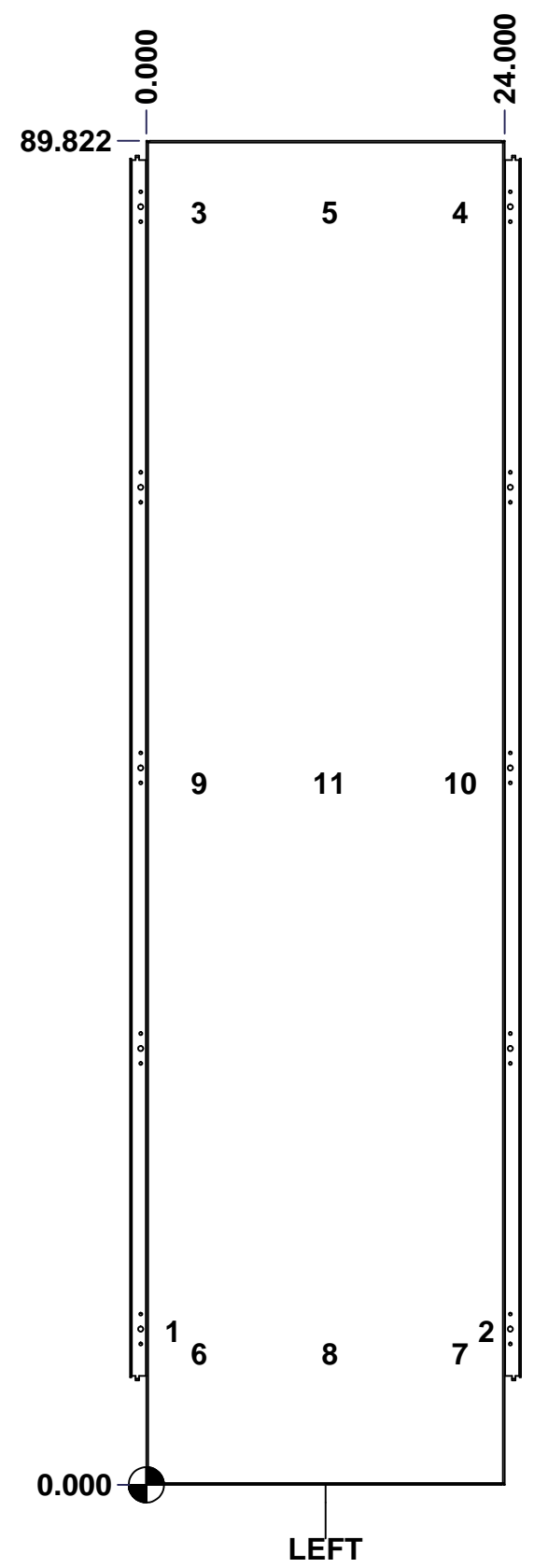
This drawing is confidential and must not be reproduced or used without the consent of EXM

Ce dessin est confidentiel et ne doit pas être reproduit ou utilisé sans le consentement de EXM

STANDARD FEATURES ARE NOT LISTED IN THIS HOLE TABLE

HOLE TABLE - LEFT VIEW (CUSTOM FEATURE ONLY)

CUT-OUT	XDIM	YDIM	DESCRIPTION
1	1.411	10.286	GND STUD M6 x 16mm (Inside)
2	22.411	10.286	GND STUD M6 x 16mm (Inside)
3	3.161	85.036	STUDS M6 x 10mm (Inside)
4	20.661	85.036	STUDS M6 x 10mm (Inside)
5	11.911	85.036	STUDS M6 x 10mm (Inside)
6	3.161	8.786	STUDS M6 x 10mm (Inside)
7	20.661	8.786	STUDS M6 x 10mm (Inside)
8	11.911	8.786	STUDS M6 x 10mm (Inside)
9	3.161	46.911	STUDS M6 x 10mm (Inside)
10	20.661	46.911	STUDS M6 x 10mm (Inside)
11	11.911	46.911	STUDS M6 x 10mm (Inside)

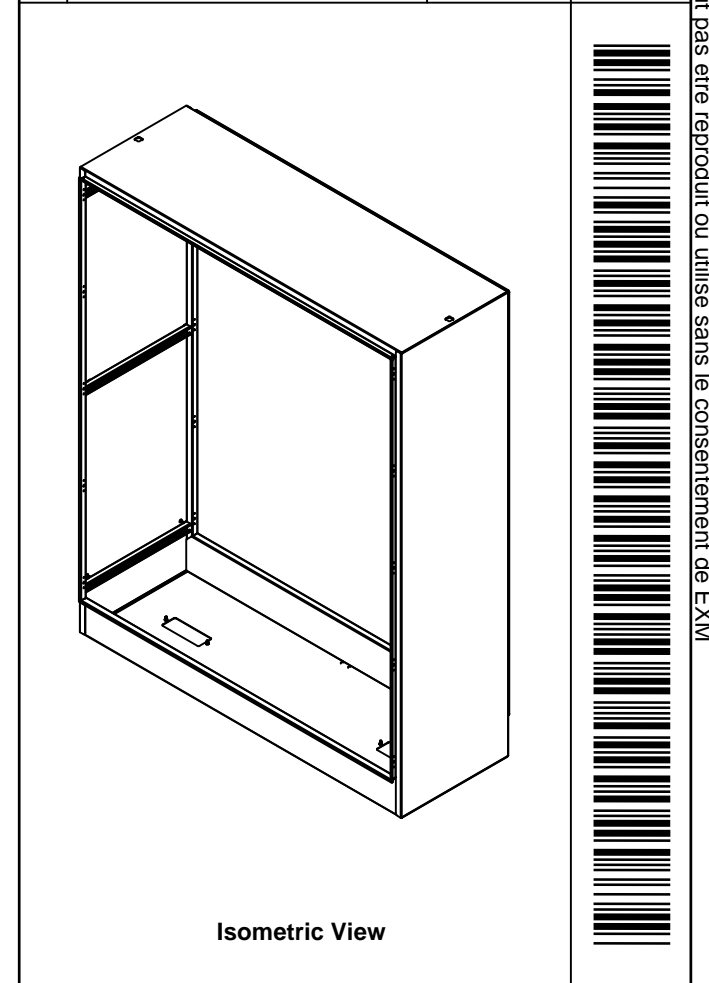


	Description	Status
	9500DADD 90" x 72" x 24" Body	Released
	Part Number Numéro Pièce	Rev.
	9500DADD907224B	0
		5 / 7

This drawing is confidential and must not be reproduced or used without the consent of EXM

Ce dessin est confidentiel et ne doit pas être reproduit ou utilisé sans le consentement de EXM


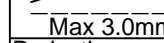
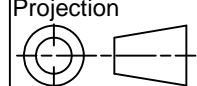
No.	Revisions	Date	By/Par



Isometric View



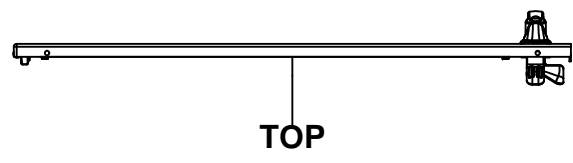
Qty	Part Number	Rev	Description
24	STK-Q-16030	0	Stud M6 x 10mm
1	STK-P-02400S	0	Powder Paint (Asa-61 Grey / Smooth)
6	STK-Q-52250-24	2	Sasco Strut S5 (23.500" Long)
1	9500DADD907224RS-P	0	9500DADD 90" x 72" Right Part
1	9500DADD907224BT-P	0	9500DADD 72" x 24" Bottom Part
1	9500DADD907224LS-P	0	9500DADD 90" x 72" Left Part
1	9500DADD907224T-P	0	9500DADD 72" x 24" Top Part
2	CR400MS_27.5	0	Commercial Roll Mild Steel (27.5in long)
24	STK-Q-07220	1	M6 Nylon Insert Lock Nut
8	STK-Q-16080	0	Ground Stud M6 x 16mm

 Tél: (450) 979-4373 Fax: (450) 979-4626 www.exmweb.com		Flatness Aplatissement  Max 3.0mm Projection 
Customer Client	Date	
Drawn By Dessiné Par	BoxCad: BoxCad	Date 28-Oct-14
Material Matière	12 Ga Cold Rolled A1008 CS Type B (2.5mm)	
Color Couleur	Asa-61 Grey	Finish Fini Smooth
Description		Detail Rev.
9500DADD 90" x 72" x 24" Body		
Part Number Numéro Pièce	Rev. 0	2
9500DADD907224B		2

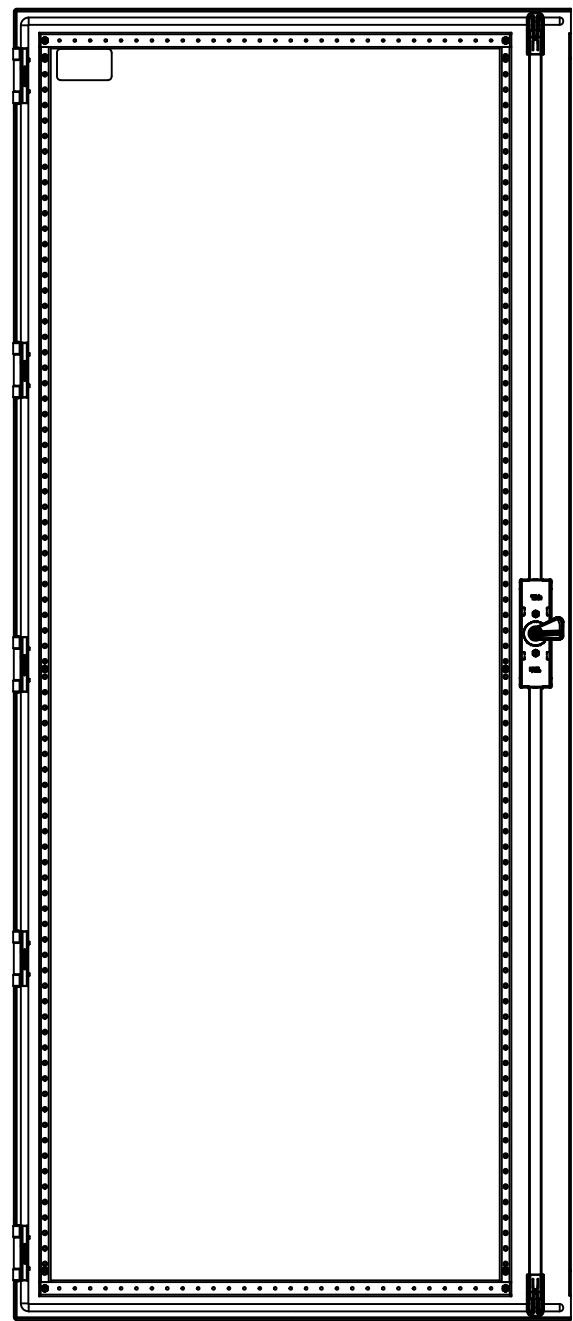
Parts List

This drawing is confidential and must not be reproduced or used without the consent of EXM

Ce dessin est confidentiel et ne doit pas être reproduit ou utilisé sans le consentement de EXM



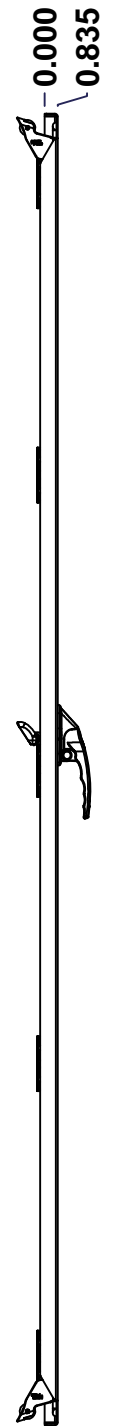
TOP



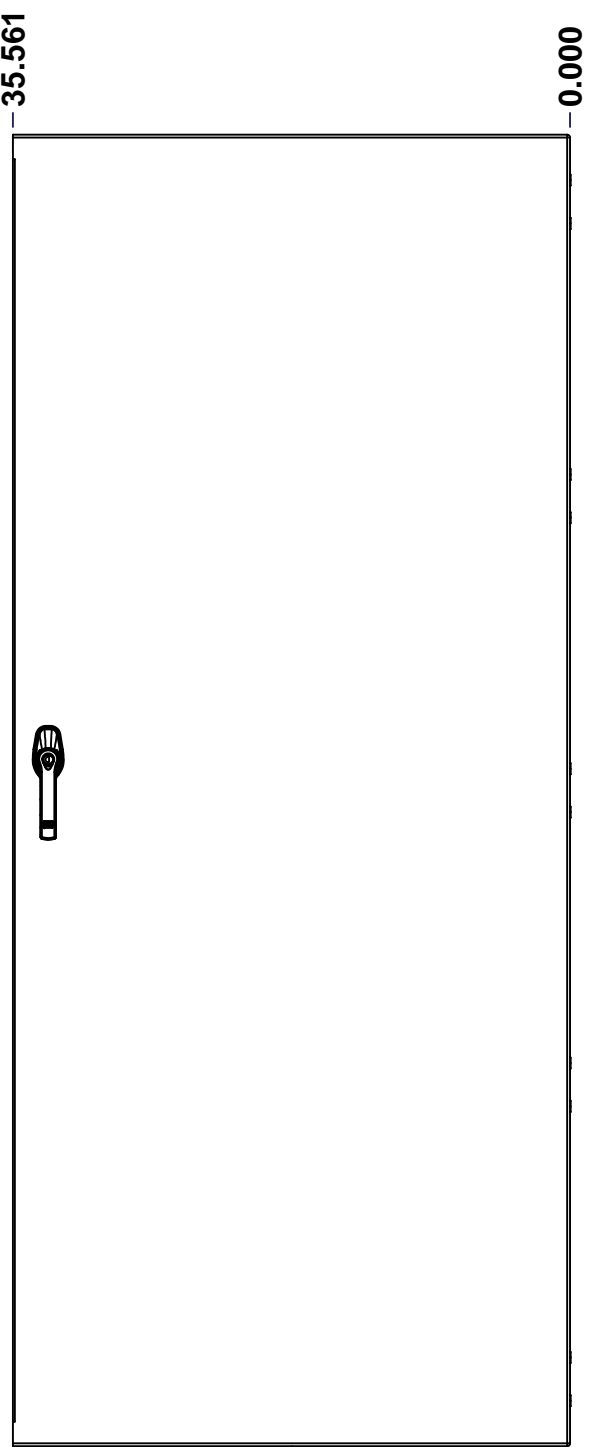
BACK



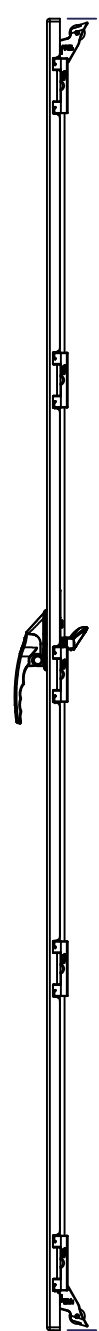
BOTTOM



LEFT



FRONT



RIGHT

0.000
0.835

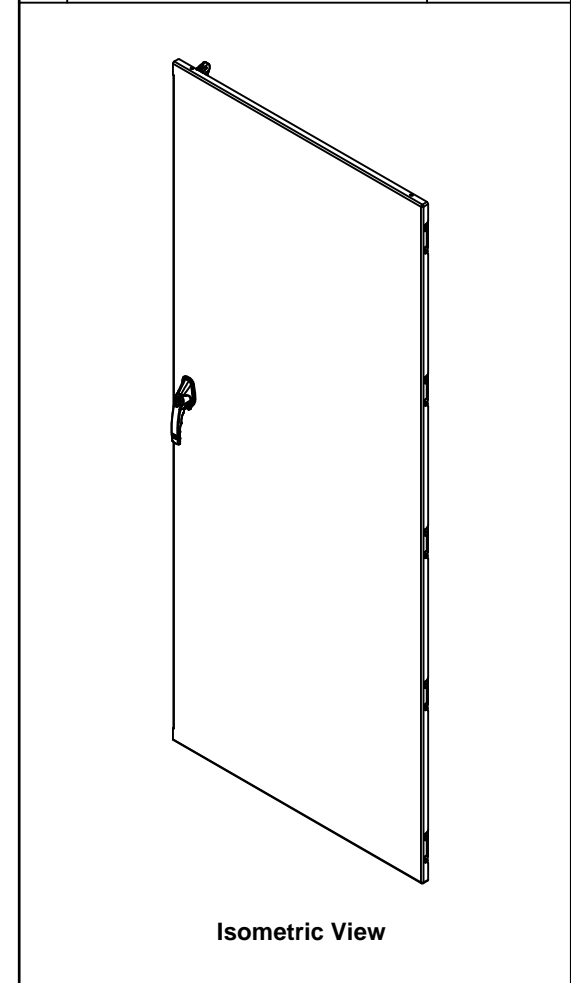
35.561

0.000

83.549

0.000

No.	Revisions	Date	By/Par



Isometric View



Tél: (450) 979-4373
Fax: (450) 979-4626
www.exmweb.com

Flatness
Aplatissement
Max 3.0mm
Projection

Customer Client	Date
Drawn By / Dessiné Par: BoxCad: BoxCad	Date: 28-Oct-14
Material / Matière: 12 Ga Cold Rolled A1008 CS Type B (2.5mm)	
Color / Couleur: Asa-61 Grey	Finish / Fini: Smooth

Description: 9500DADD 90" x 72" Front Lock Door	Detail Rev.
---	-------------

Part Number / Numéro Pièce: 9500DADD907224LD	Rev. 0	1 / 3
--	--------	-------

SEE BILL OF MATERIAL ON LAST PAGE

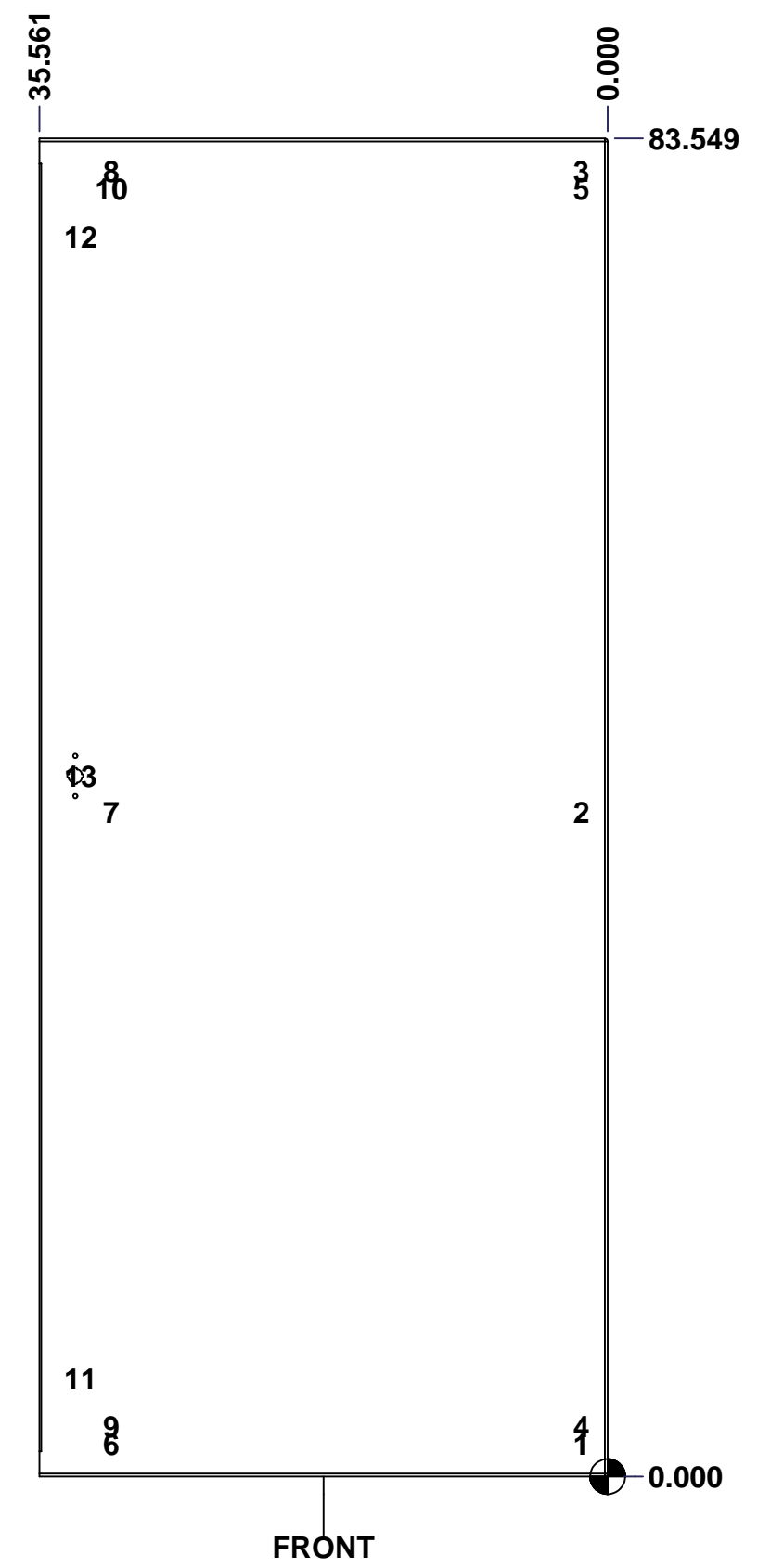
This drawing is confidential and must not be reproduced or used without the consent of EXM

Ce dessin est confidentiel et ne doit pas être reproduit ou utilisé sans le consentement de EXM

STANDARD FEATURES ARE NOT LISTED IN THIS HOLE TABLE

HOLE TABLE - FRONT VIEW (CUSTOM FEATURE ONLY)

CUT-OUT	XDIM	YDIM	DESCRIPTION
1	1.983	2.028	STUD M6 x 18mm (Inside)
2	1.983	41.486	STUD M6 x 18mm (Inside)
3	1.983	81.521	STUD M6 x 18mm (Inside)
4	1.983	3.139	STUD M6 x 18mm (Inside)
5	1.983	80.409	STUD M6 x 18mm (Inside)
6	31.390	2.028	STUD M6 x 18mm (Inside)
7	31.390	41.486	STUD M6 x 18mm (Inside)
8	31.390	81.521	STUD M6 x 18mm (Inside)
9	31.390	3.139	STUD M6 x 18mm (Inside)
10	31.390	80.409	STUD M6 x 18mm (Inside)
11	33.311	6.118	STUD M6 x 18mm (Inside)
12	33.311	77.430	STUD M6 x 18mm (Inside)
-----	-----	-----	-----
13	33.311	43.743	HANDLE 885 ESL2A-APHK @ 0.0°



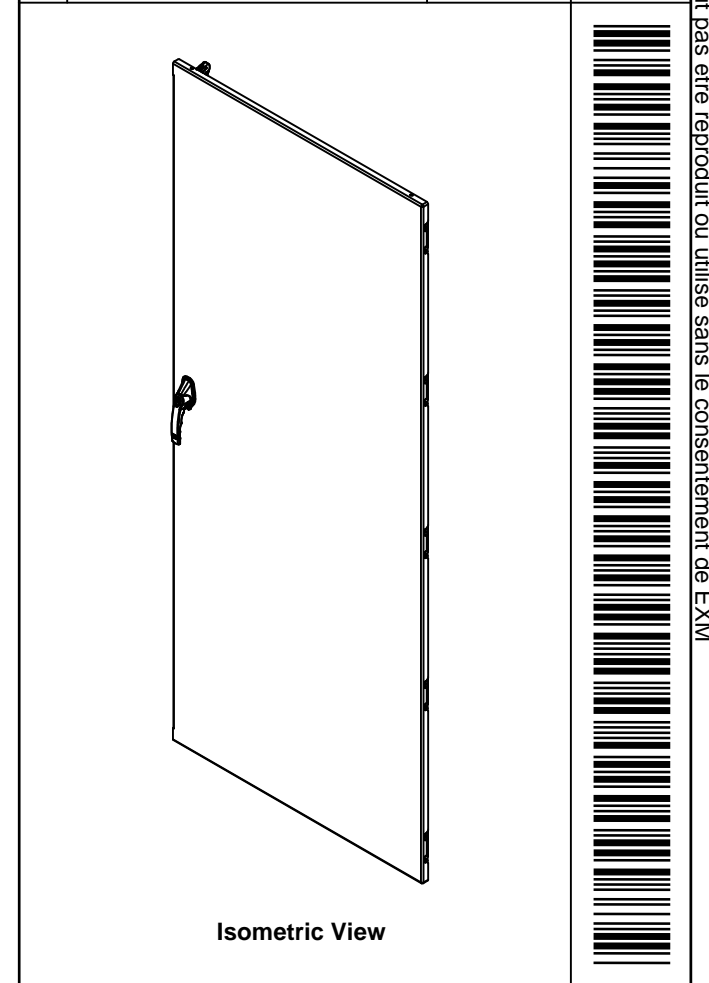
FRONT

	Description	Status
	9500DADD 90" x 72" Front Lock Door	(NULL)
	Part Number Numéro Pièce	Rev.
	9500DADD907224LD	0
		2
		3

This drawing is confidential and must not be reproduced or used without the consent of EXM

Ce dessin est confidentiel et ne doit pas être reproduit ou utilisé sans le consentement de EXM

No.	Revisions	Date	By/Par



1	STK-Q-47528	1	9500 Lower Closing Bar 90"
1	STK-Q-47518	1	9500 Upper Closing Bar 90"
1	STK-A-03986-36	2	Gearbox Counterclockwise Assembly (36.0mm)
1	885ESL2A-APHK	6	885 ESL2A-APHK - Zinc Die Cast L-Handle Padlockable Assy
1	STK-P-02400S	0	Powder Paint (Asa-61 Grey / Smooth)
1	STK-S-00100	0	3.5" x 2" Silver Milar Flexcon Sticker
1	STK-K-10880	3	9500 - Door Stiffener Assembly
1	9500DADD907224LDG	0	9500DADD 90" x 72" Lock Door Gasket
2	STK-Q-16410	0	Guide Stud - Largel (No Paint Cap Required)
10	STK-Q-16055	1	M6 x 18mm Stud (No Paint Cap Required)
1	9500DADD907224LD-P	0	9500DADD 90" x 72" Front Lock Door Part
5	STK-K-09860	7	Cabinet Hinge with Captive Pins
2	STK-A-90025	0	9500 - Cabinet Closing Bar End (Large)
Qty	Part Name	Rev	Description

	Tél: (450) 979-4373 Fax: (450) 979-4626 www.exmweb.com	Flatness Aplatissement
		Max 3.0mm
Projection		Date
Customer Client	Date	28-Oct-14
Drawn By Dessiné Par	BoxCad: BoxCad	Date
Material Matière	12 Ga Cold Rolled A1008 CS Type B (2.5mm)	
Color Couleur	Asa-61 Grey	Finish Fini
Smooth		
Description		Detail Rev.
9500DADD 90" x 72" Front Lock Door		
Part Number Numéro Pièce	Rev.	3
9500DADD907224LD	0	3

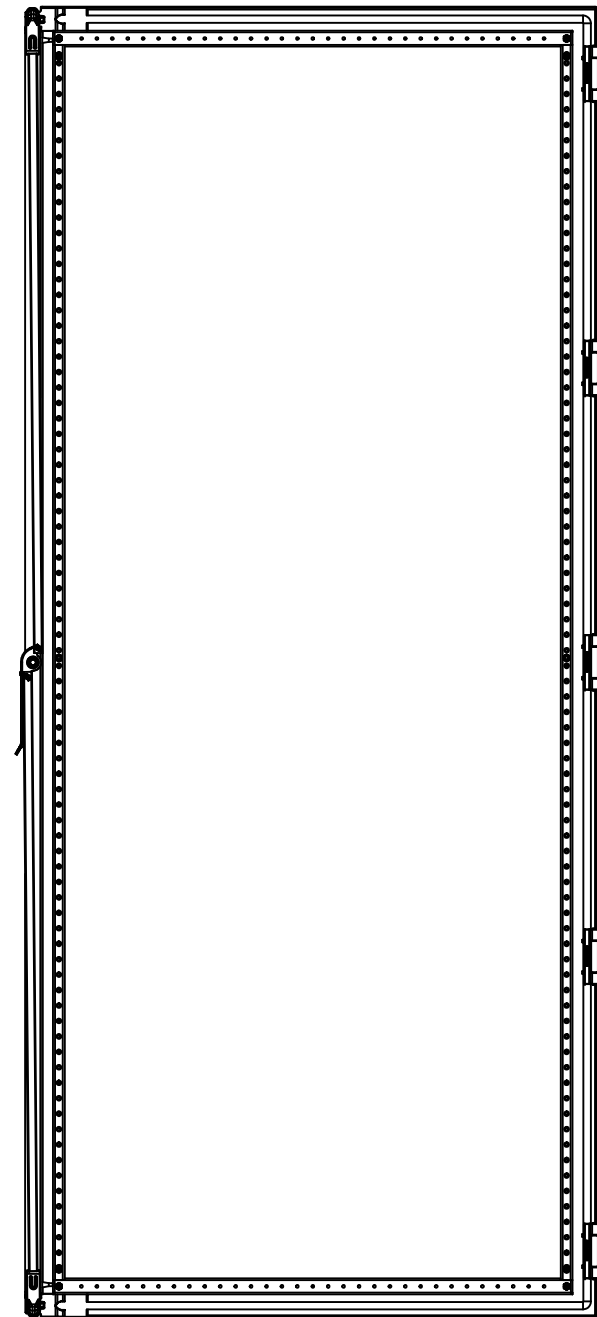
Parts List

This drawing is confidential and must not be reproduced or used without the consent of EXM

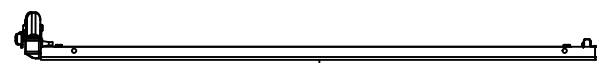
Ce dessin est confidentiel et ne doit pas être reproduit ou utilisé sans le consentement de EXM



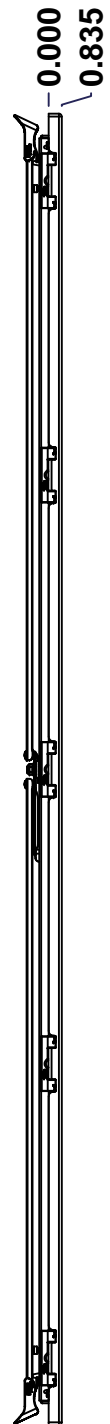
TOP



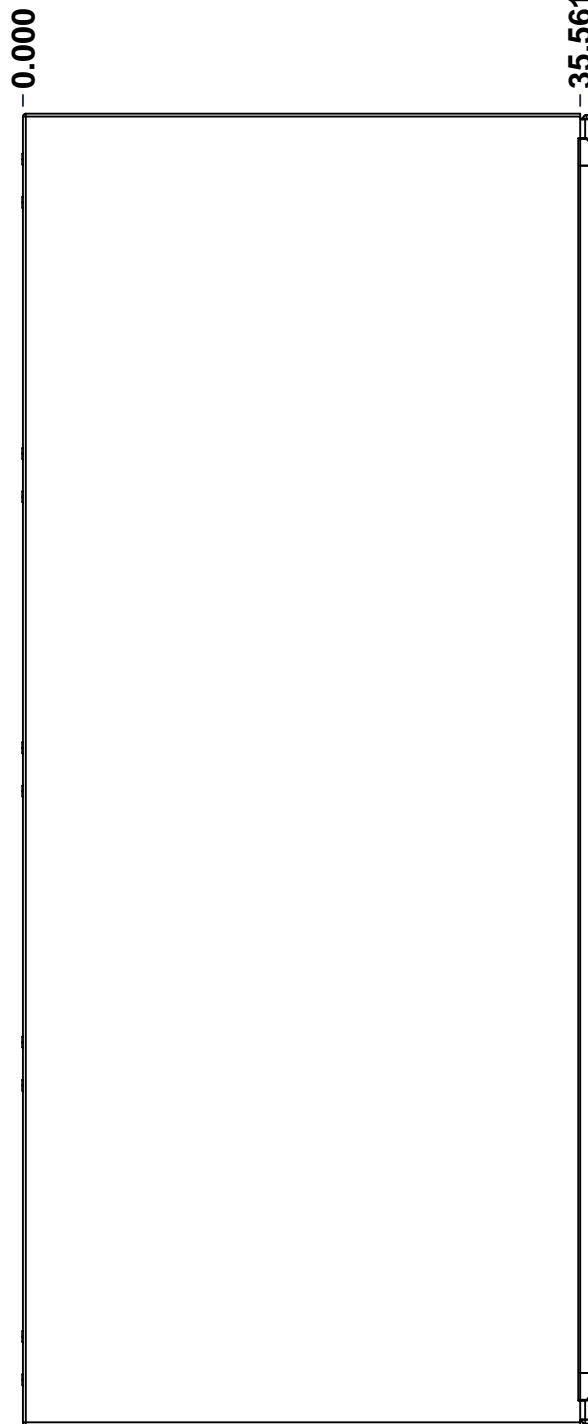
BACK



BOTTOM



LEFT



FRONT



RIGHT

0.000
0.835

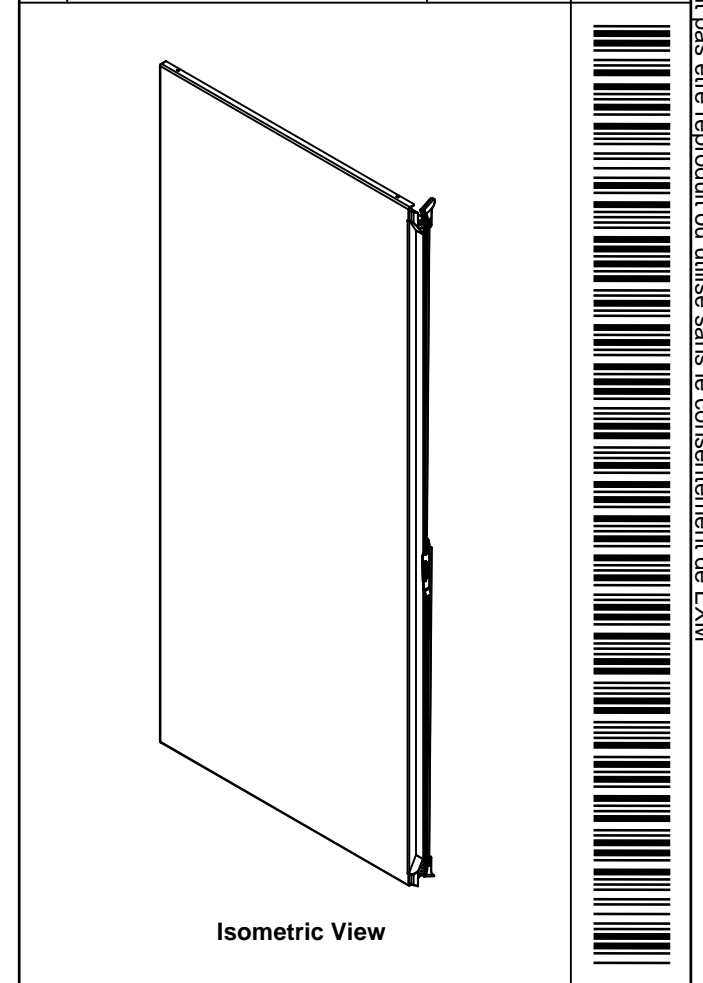
0.000

35.561

83.549

0.000

No.	Revisions	Date	By/Par



Tél: (450) 979-4373 Fax: (450) 979-4626 www.exmweb.com		Flatness Aplatissement	
		Max 3.0mm	
Customer Client		Date	
Drawn By Dessiné Par BoxCad: BoxCad		Date 28-Oct-14	
Material Matière 12 Ga Cold Rolled A1008 CS Type B (2.5mm)			
Color Couleur Asa-61 Grey		Finish Fini Smooth	
Description 9500DADD 90" x 72" Front Flange Door			Detail Rev.
Part Number Numéro Pièce 9500DADD907224FD		Rev. 0	1 3

SEE BILL OF MATERIAL ON LAST PAGE

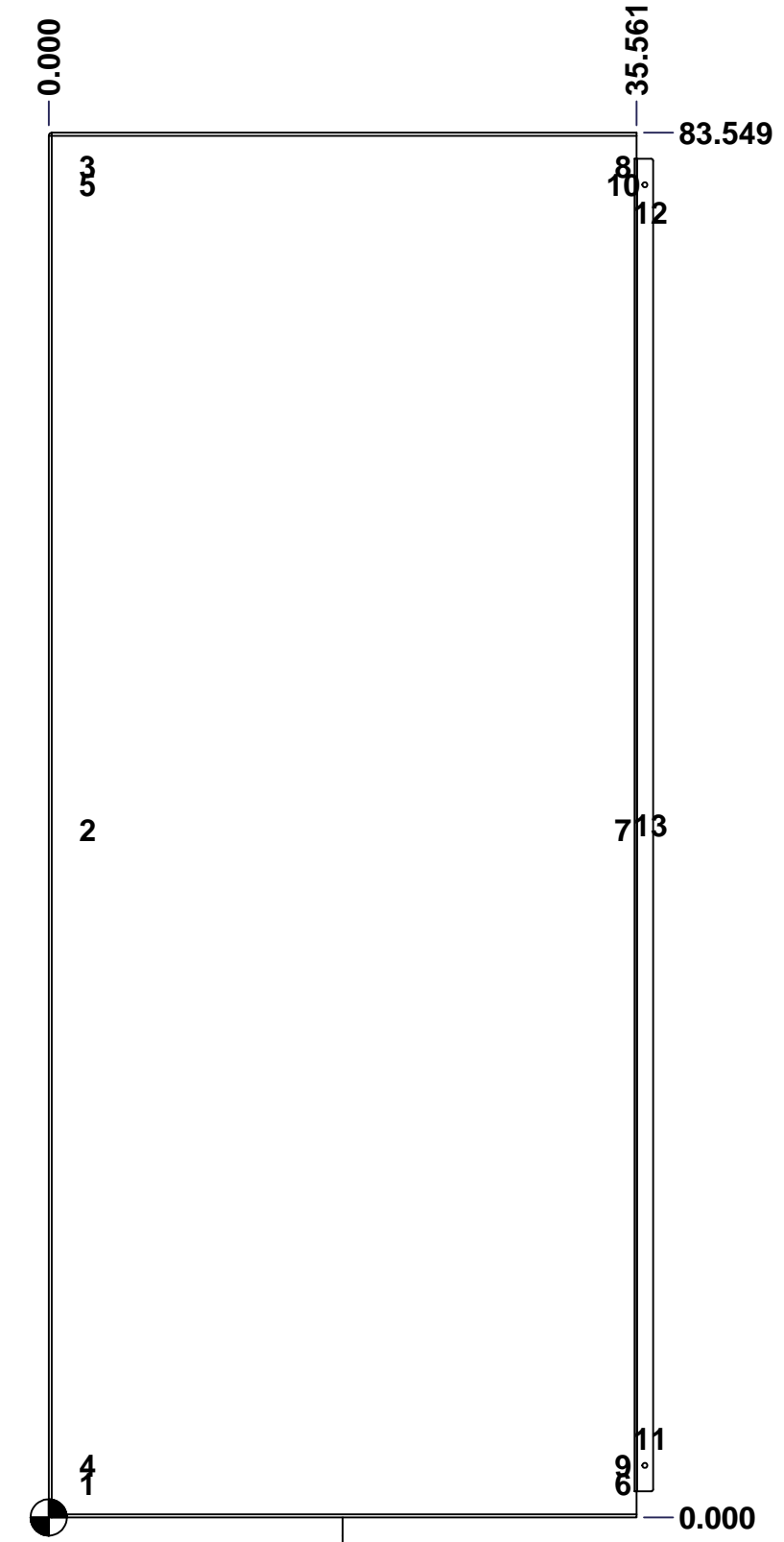
This drawing is confidential and must not be reproduced or used without the consent of EXM

Ce dessin est confidentiel et ne doit pas être reproduit ou utilisé sans le consentement de EXM

STANDARD FEATURES ARE NOT LISTED IN THIS HOLE TABLE

HOLE TABLE - FRONT VIEW (CUSTOM FEATURE ONLY)

CUT-OUT	XDIM	YDIM	DESCRIPTION
1	2.000	2.028	STUD M6 x 18mm (Inside)
2	2.000	41.486	STUD M6 x 18mm (Inside)
3	2.000	81.521	STUD M6 x 18mm (Inside)
4	2.000	3.139	STUD M6 x 18mm (Inside)
5	2.000	80.409	STUD M6 x 18mm (Inside)
6	34.407	2.028	STUD M6 x 18mm (Inside)
7	34.407	41.486	STUD M6 x 18mm (Inside)
8	34.407	81.521	STUD M6 x 18mm (Inside)
9	34.407	3.139	STUD M6 x 18mm (Inside)
10	34.407	80.409	STUD M6 x 18mm (Inside)
11	36.061	4.774	CLOSING BAR GUIDE (Inside)
12	36.061	78.774	CLOSING BAR GUIDE (Inside)
13	36.061	41.774	STUD M10 x 20mm (Inside)



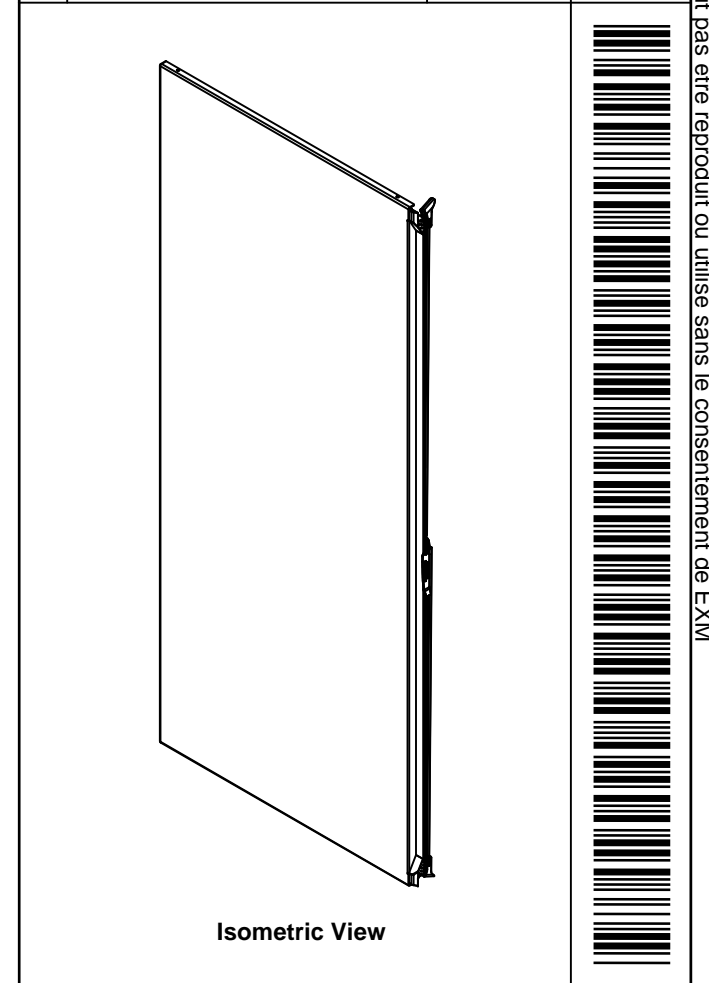
FRONT

	Description	Status
	9500DADD 90" x 72" Front Flange Door	(NULL)
	Part Number Numéro Pièce	Rev.
	9500DADD907224FD	0
		2
		3


This drawing is confidential and must not be reproduced or used without the consent of EXM

Ce dessin est confidentiel et ne doit pas être reproduit ou utilisé sans le consentement de EXM

No.	Revisions	Date	By/Par



Qty	Part Name	Rev	Description
1	STK-P-02400S	0	Powder Paint (Asa-61 Grey / Smooth)
1	STK-G-03400	0	5500 DD Lower Flange Door Gasket
1	STK-G-03300	0	5500 DD Upper Flange Door Gasket
2	STK-Q-90045	0	Cabinet - Closing Bar End
2	STK-Q-45660-90	2	9500 DD - Flange Door Closing Bar
1	STK-K-50556	4	9500 DD - Flange Door Handle Assy
1	STK-K-20880	3	9500 - Flange Door Stiffener Assembly
1	STK-Q-16122	1	Stud M10 x 20mm
2	STK-Q-16405	6	Guide Stud - Small (No Paint Cap Required)
1	STK-G-00701	0	1" x 1/4" Self-Adhesive Neoprene Gasket
1	9500DADD907224FDG	0	9500DADD 90" x 72" Flange Door Gasket
10	STK-Q-16055	1	M6 x 18mm Stud (No Paint Cap Required)
1	9500DADD907224FD-P	0	9500DADD 90" x 72" Front Flange Door Part
5	STK-K-09860	7	Cabinet Hinge with Captive Pins
Qty	Part Name	Rev	Description
Parts List			



Tél: (450) 979-4373
Fax: (450) 979-4626
www.exmweb.com

Flatness
Aplatissement
Max 3.0mm

Projection

Customer Client

Date

Drawn By
Dessiné Par BoxCad: BoxCad

Date 28-Oct-14

Material
Matière 12 Ga Cold Rolled A1008 CS Type B (2.5mm)

Color
Couleur Asa-61 Grey

Finish
Fini Smooth

Description
9500DADD 90" x 72" Front Flange Door

Detail Rev.

Part Number
Numéro Pièce
9500DADD907224FD

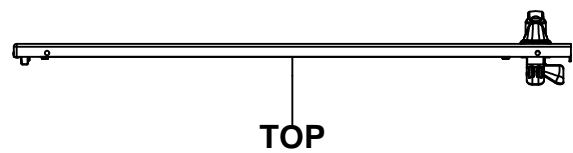
Rev. 3

0

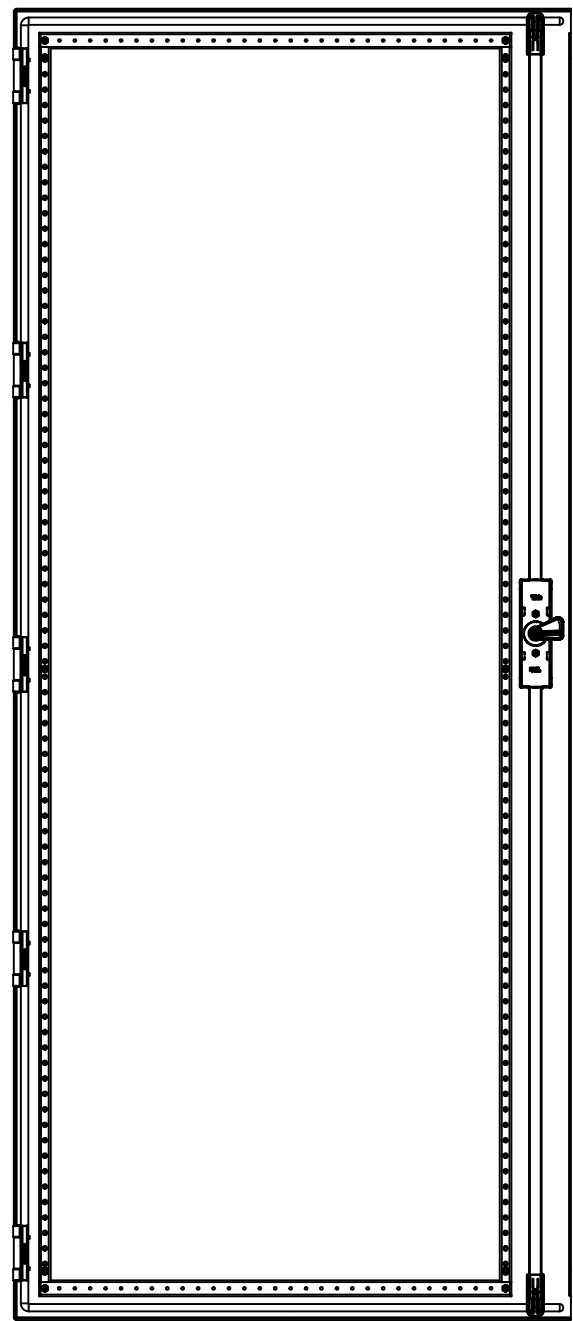
3

This drawing is confidential and must not be reproduced or used without the consent of EXM

Ce dessin est confidentiel et ne doit pas être reproduit ou utilisé sans le consentement de EXM



TOP

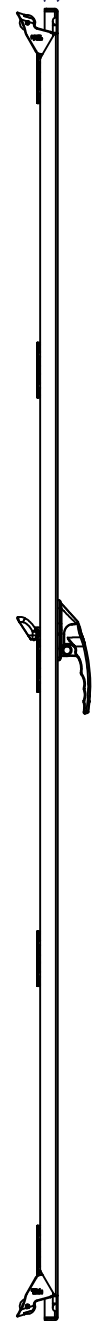


BACK



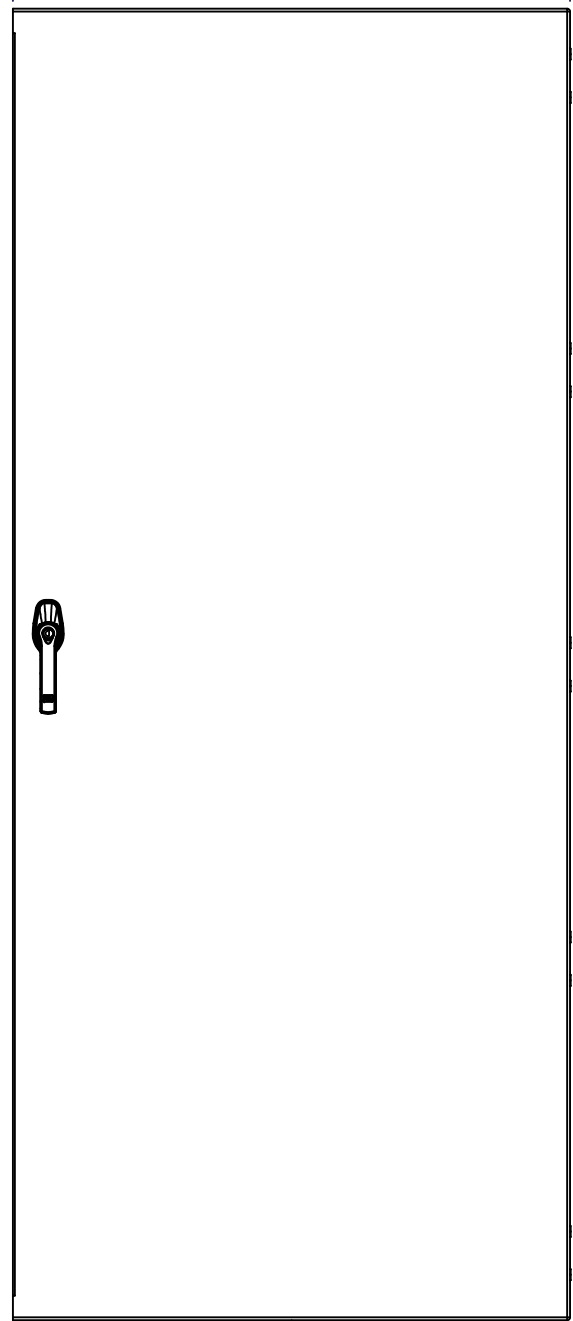
BOTTOM

0.000
0.835



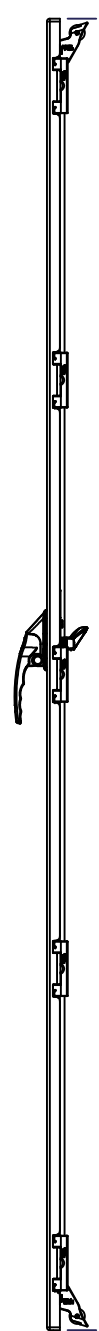
LEFT

35.561



FRONT

0.000

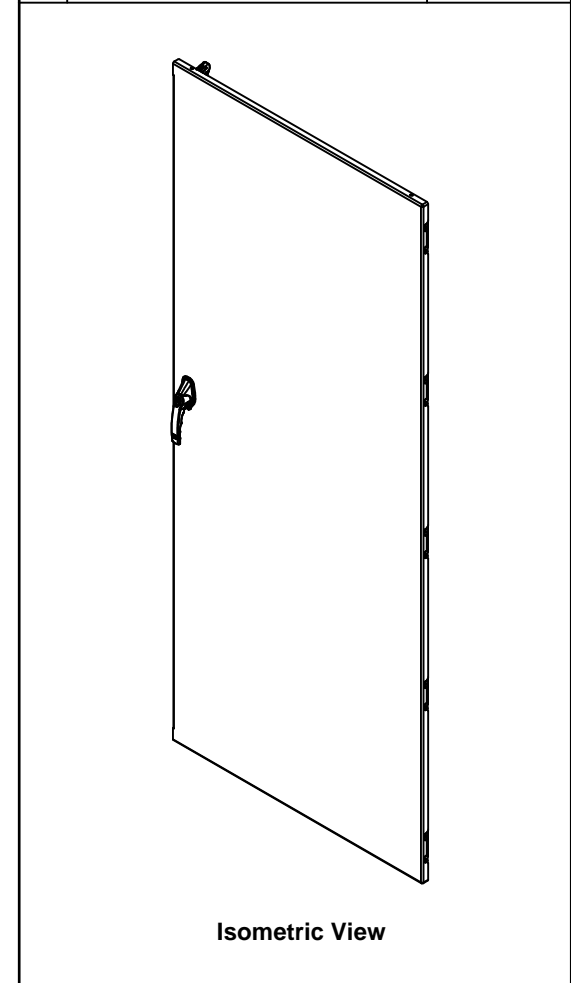


RIGHT

83.549

0.000

No.	Revisions	Date	By/Par



Isometric View



Tél: (450) 979-4373
Fax: (450) 979-4626
www.exmweb.com

Flatness
Aplatissement
Max 3.0mm
Projection

Customer Client	Date
Drawn By / Dessiné Par: BoxCad: BoxCad	Date: 28-Oct-14
Material / Matière: 12 Ga Cold Rolled A1008 CS Type B (2.5mm)	
Color / Couleur: Asa-61 Grey	Finish / Fini: Smooth

Description: 9500DADD 90" x 72" Back Lock Door	Detail Rev.
Part Number / Numéro Pièce: 9500DADD907224LB	Rev. 1

SEE BILL OF MATERIAL ON LAST PAGE

Rev. 0

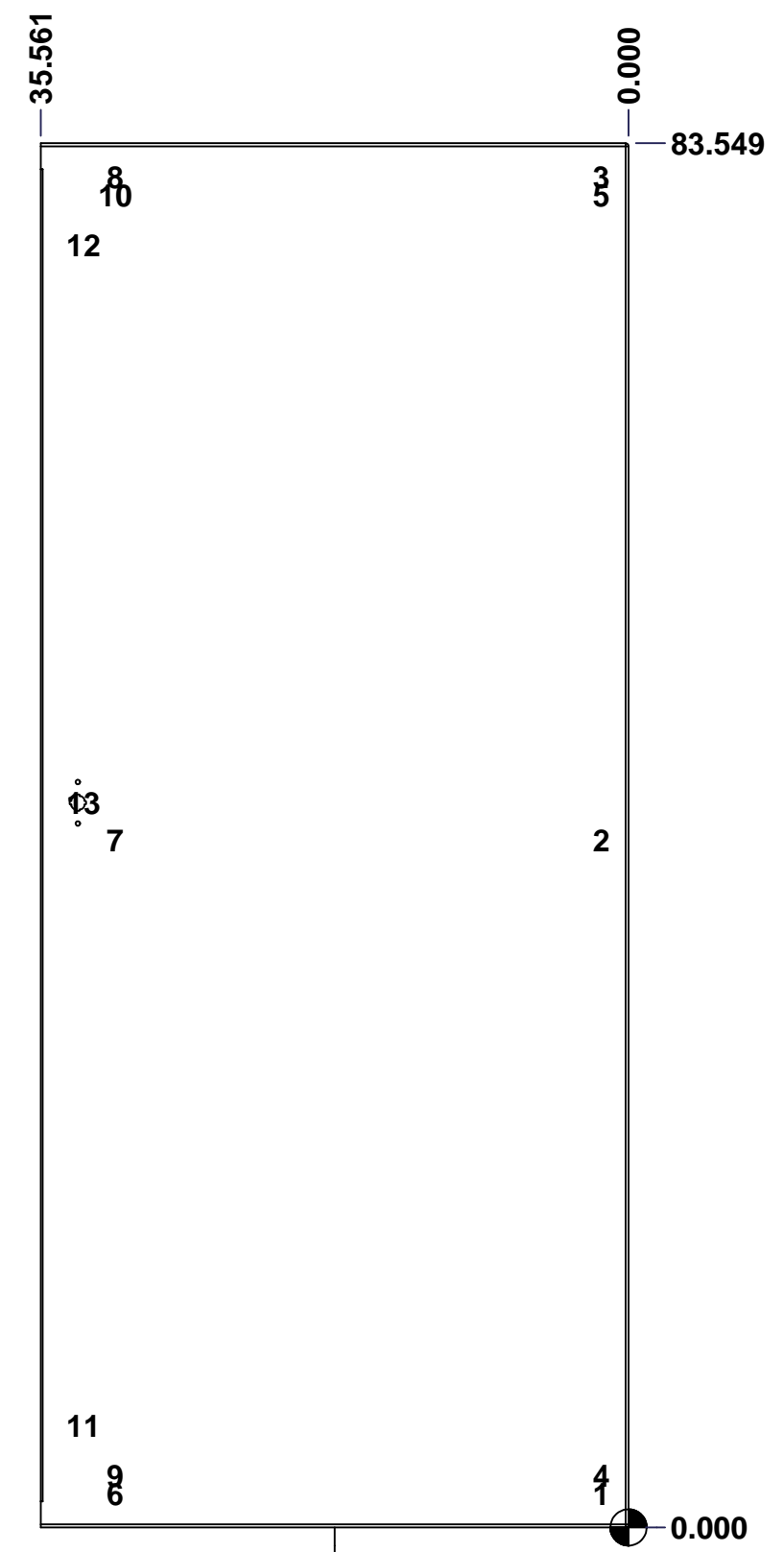
This drawing is confidential and must not be reproduced or used without the consent of EXM

Ce dessin est confidentiel et ne doit pas être reproduit ou utilisé sans le consentement de EXM

STANDARD FEATURES ARE NOT LISTED IN THIS HOLE TABLE

HOLE TABLE - FRONT VIEW (CUSTOM FEATURE ONLY)

CUT-OUT	XDIM	YDIM	DESCRIPTION
1	1.983	2.028	STUD M6 x 18mm (Inside)
2	1.983	41.486	STUD M6 x 18mm (Inside)
3	1.983	81.521	STUD M6 x 18mm (Inside)
4	1.983	3.139	STUD M6 x 18mm (Inside)
5	1.983	80.409	STUD M6 x 18mm (Inside)
6	31.390	2.028	STUD M6 x 18mm (Inside)
7	31.390	41.486	STUD M6 x 18mm (Inside)
8	31.390	81.521	STUD M6 x 18mm (Inside)
9	31.390	3.139	STUD M6 x 18mm (Inside)
10	31.390	80.409	STUD M6 x 18mm (Inside)
11	33.311	6.118	STUD M6 x 18mm (Inside)
12	33.311	77.430	STUD M6 x 18mm (Inside)
-----	-----	-----	-----
13	33.311	43.743	HANDLE 885 ESL2A-APHK @ 0.0°



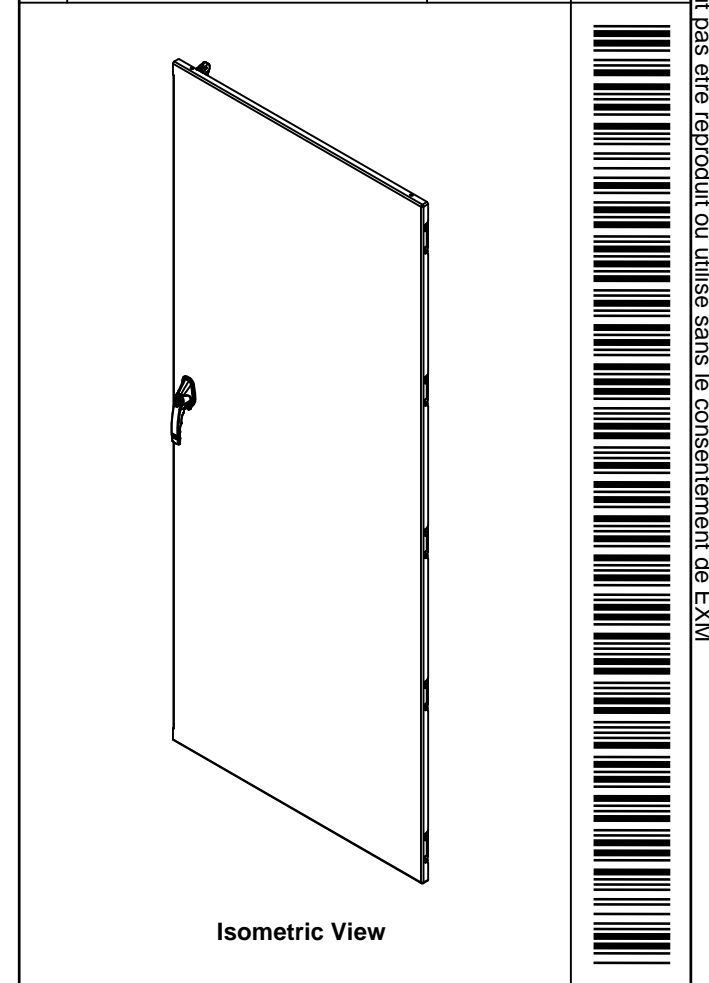
FRONT

	Description	Status
	9500DADD 90" x 72" Back Lock Door	(NULL)
	Part Number Numéro Pièce	Rev.
	9500DADD907224LB	0
		2
		3


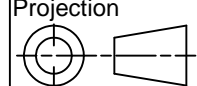
This drawing is confidential and must not be reproduced or used without the consent of EXM

Ce dessin est confidentiel et ne doit pas être reproduit ou utilisé sans le consentement de EXM

No.	Revisions	Date	By/Par



Qty	Part Name	Rev	Description
1	STK-Q-47528	1	9500 Lower Closing Bar 90"
1	STK-Q-47518	1	9500 Upper Closing Bar 90"
1	STK-A-03986-36	2	Gearbox Counterclockwise Assembly (36.0mm)
1	885ESL2A-APHK	6	885 ESL2A-APHK - Zinc Die Cast L-Handle Padlockable Assy
1	STK-P-02400S	0	Powder Paint (Asa-61 Grey / Smooth)
1	STK-K-10880	3	9500 - Door Stiffener Assembly
1	9500DADD907224LDG	0	9500DADD 90" x 72" Lock Door Gasket
2	STK-Q-16410	0	Guide Stud - Largel (No Paint Cap Required)
10	STK-Q-16055	1	M6 x 18mm Stud (No Paint Cap Required)
1	9500DADD907224LB-P	0	9500DADD 90" x 72" Back Lock Door Part
5	STK-K-09860	7	Cabinet Hinge with Captive Pins
2	STK-A-90025	0	9500 - Cabinet Closing Bar End (Large)
Parts List			

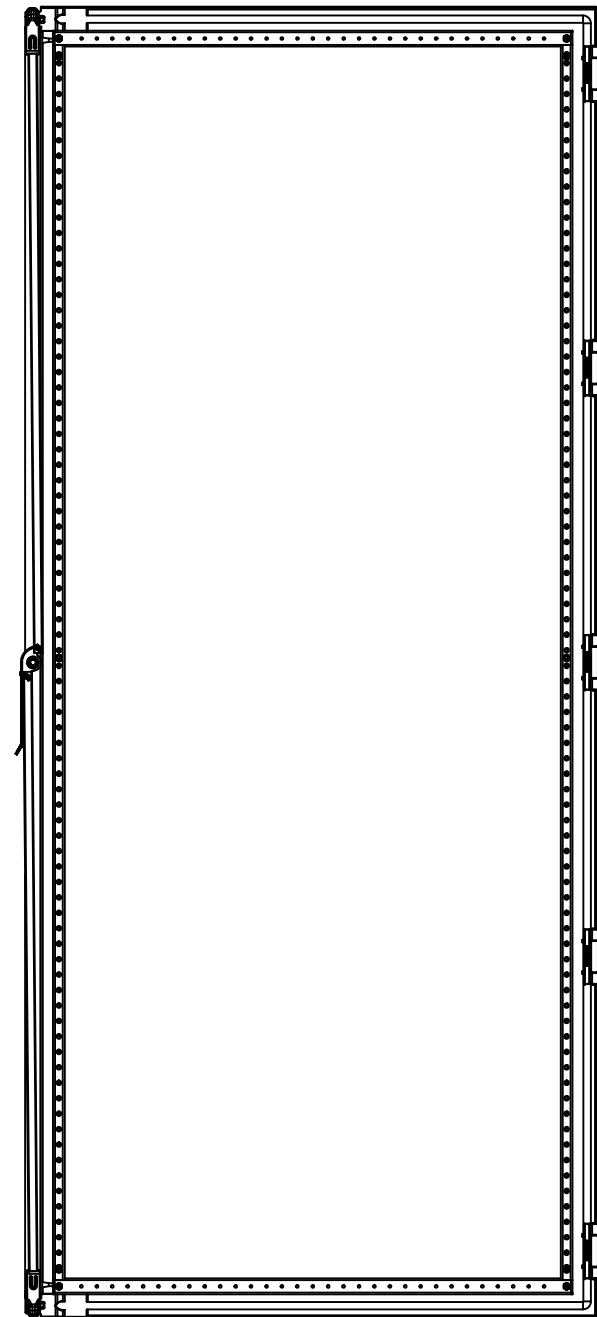
 Tél: (450) 979-4373 Fax: (450) 979-4626 www.exmweb.com		Flatness Aplatissement Max 3.0mm Projection 
Customer Client	Date	Date 28-Oct-14
Drawn By Dessiné Par	BoxCad: BoxCad	
Material Matière	12 Ga Cold Rolled A1008 CS Type B (2.5mm)	
Color Couleur	Asa-61 Grey	Finish Fini Smooth
Description		Detail Rev.
9500DADD 90" x 72" Back Lock Door		
Part Number Numéro Pièce	Rev.	3
9500DADD907224LB	0	3

This drawing is confidential and must not be reproduced or used without the consent of EXM

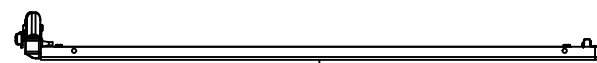
Ce dessin est confidentiel et ne doit pas être reproduit ou utilisé sans le consentement de EXM



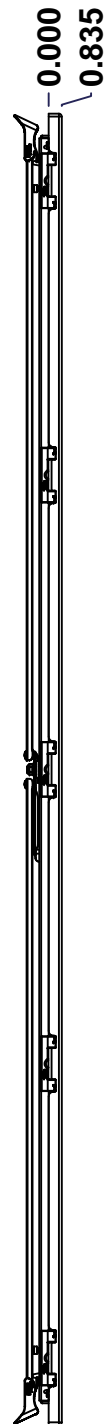
TOP



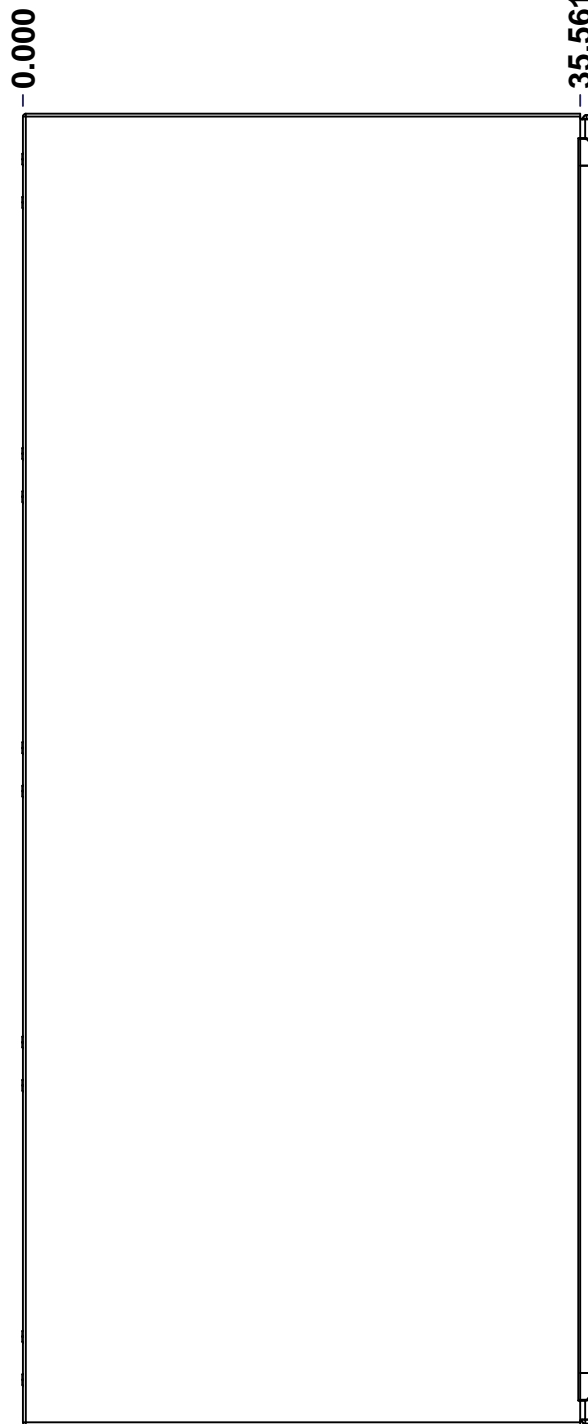
BACK



BOTTOM



LEFT



FRONT



RIGHT

0.000
0.835

0.000

35.561

83.549

0.000

No.	Revisions	Date	By/Par

Isometric View

Tél: (450) 979-4373 Fax: (450) 979-4626 www.exmweb.com		Flatness Aplatissement	
		Max 3.0mm	
Customer Client		Date	
Drawn By Dessiné Par BoxCad: BoxCad		Date 28-Oct-14	
Material Matière 12 Ga Cold Rolled A1008 CS Type B (2.5mm)			
Color Couleur Asa-61 Grey		Finish Fini Smooth	
Description 9500DADD 90" x 72" Back Flange Door			Detail Rev.
Part Number Numéro Pièce 9500DADD907224FB		Rev. 0	1 3

SEE BILL OF MATERIAL ON LAST PAGE

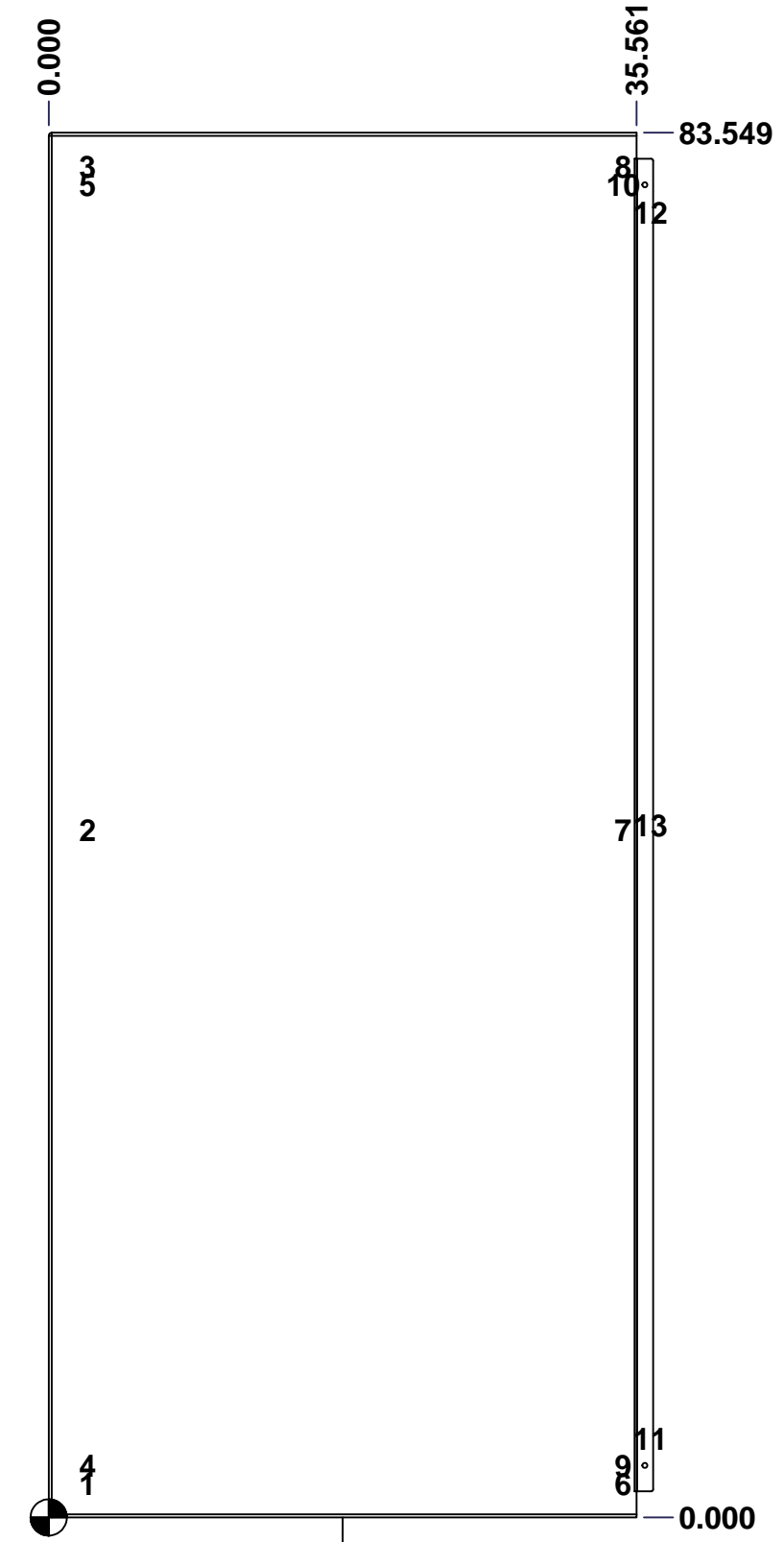
This drawing is confidential and must not be reproduced or used without the consent of EXM

Ce dessin est confidentiel et ne doit pas être reproduit ou utilisé sans le consentement de EXM

STANDARD FEATURES ARE NOT LISTED IN THIS HOLE TABLE

HOLE TABLE - FRONT VIEW (CUSTOM FEATURE ONLY)

CUT-OUT	XDIM	YDIM	DESCRIPTION
1	2.000	2.028	STUD M6 x 18mm (Inside)
2	2.000	41.486	STUD M6 x 18mm (Inside)
3	2.000	81.521	STUD M6 x 18mm (Inside)
4	2.000	3.139	STUD M6 x 18mm (Inside)
5	2.000	80.409	STUD M6 x 18mm (Inside)
6	34.407	2.028	STUD M6 x 18mm (Inside)
7	34.407	41.486	STUD M6 x 18mm (Inside)
8	34.407	81.521	STUD M6 x 18mm (Inside)
9	34.407	3.139	STUD M6 x 18mm (Inside)
10	34.407	80.409	STUD M6 x 18mm (Inside)
11	36.061	4.774	CLOSING BAR GUIDE (Inside)
12	36.061	78.774	CLOSING BAR GUIDE (Inside)
13	36.061	41.774	STUD M10 x 20mm (Inside)



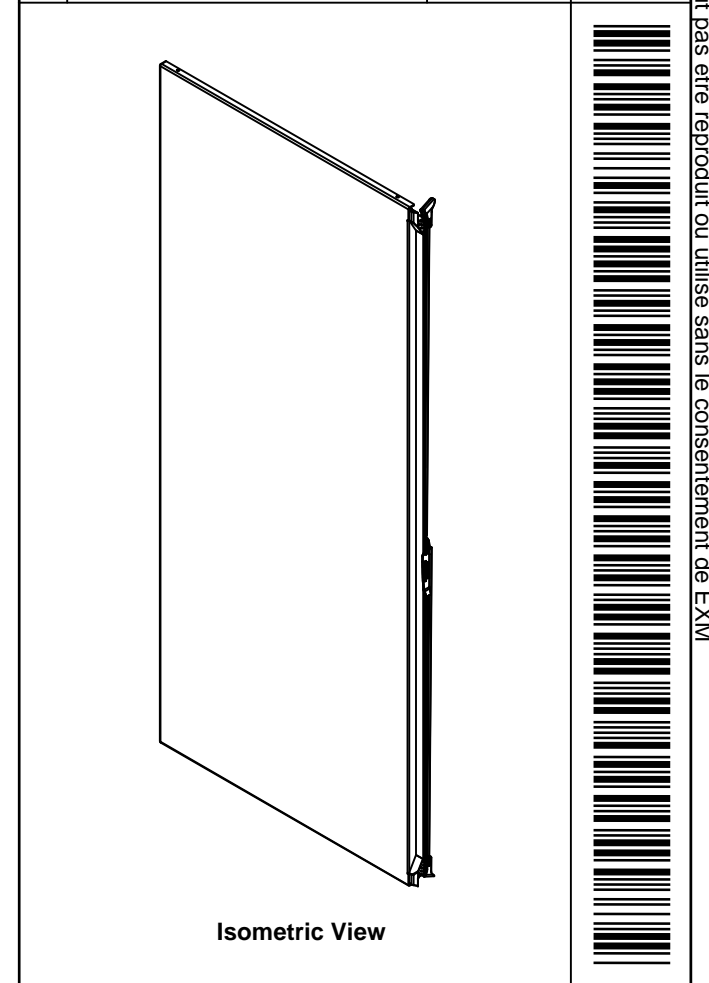
FRONT

	Description	Status
	9500DADD 90" x 72" Back Flange Door	(NULL)
	Part Number Numéro Pièce	Rev.
	9500DADD907224FB	0 / 2 / 3


This drawing is confidential and must not be reproduced or used without the consent of EXM

Ce dessin est confidentiel et ne doit pas être reproduit ou utilisé sans le consentement de EXM

No.	Revisions	Date	By/Par

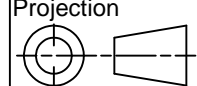


Qty	Part Name	Rev	Description
1	STK-P-02400S	0	Powder Paint (Asa-61 Grey / Smooth)
1	STK-G-03400	0	5500 DD Lower Flange Door Gasket
1	STK-G-03300	0	5500 DD Upper Flange Door Gasket
2	STK-Q-90045	0	Cabinet - Closing Bar End
2	STK-Q-45660-90	2	9500 DD - Flange Door Closing Bar
1	STK-K-50556	4	9500 DD - Flange Door Handle Assy
1	STK-K-20880	3	9500 - Flange Door Stiffener Assembly
1	STK-Q-16122	1	Stud M10 x 20mm
2	STK-Q-16405	6	Guide Stud - Small (No Paint Cap Required)
1	STK-G-00701	0	1" x 1/4" Self-Adhesive Neoprene Gasket
1	9500DADD907224FDG	0	9500DADD 90" x 72" Flange Door Gasket
10	STK-Q-16055	1	M6 x 18mm Stud (No Paint Cap Required)
1	9500DADD907224FB-P	0	9500DADD 90" x 72" Back Flange Door Part
5	STK-K-09860	7	Cabinet Hinge with Captive Pins
Qty	Part Name	Rev	Description
Parts List			



Tél: (450) 979-4373
Fax: (450) 979-4626
www.exmweb.com

Flatness
Aplatissement
Max 3.0mm

Projection


Customer Client		Date
Drawn By Dessiné Par	BoxCad: BoxCad	Date 28-Oct-14
Material Matière 12 Ga Cold Rolled A1008 CS Type B (2.5mm)		
Color Couleur	Asa-61 Grey	Finish Fini Smooth
Description 9500DADD 90" x 72" Back Flange Door		Detail Rev.
Part Number Numéro Pièce		Rev. 3
9500DADD907224FB		0

All knockouts are actual size / Les disques défonçables sont grandeur réel
 All dimensions are before paint / Toutes les dimensions sont avant peinture

This drawing is confidential and must not be reproduced or used without the consent of EXM

Ce dessin est confidentiel et ne doit pas être reproduit ou utilisé sans le consentement de EXM

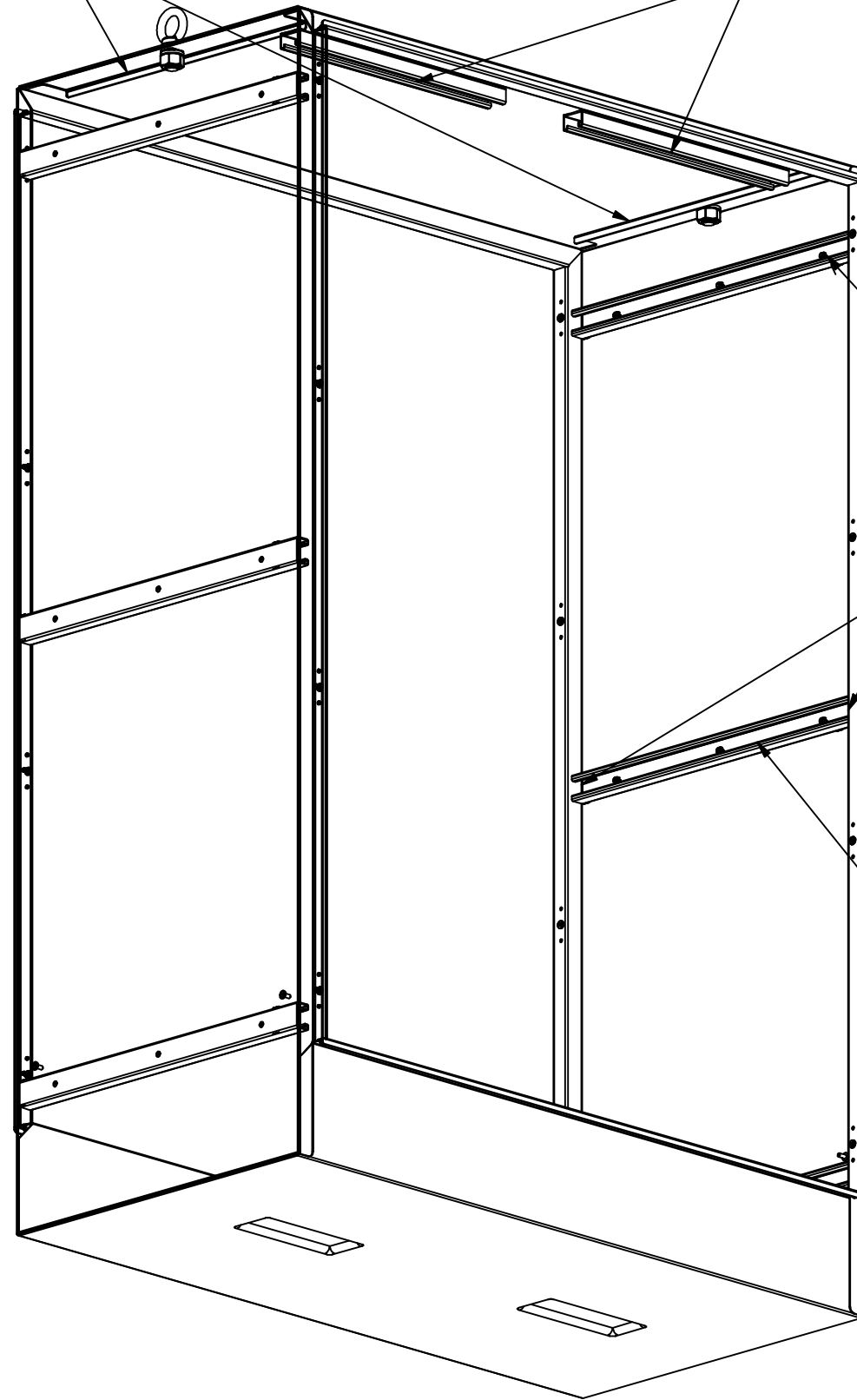
Lifting angles are the flanges of RS and LS top

Struts for light secured with stud only (No weld)

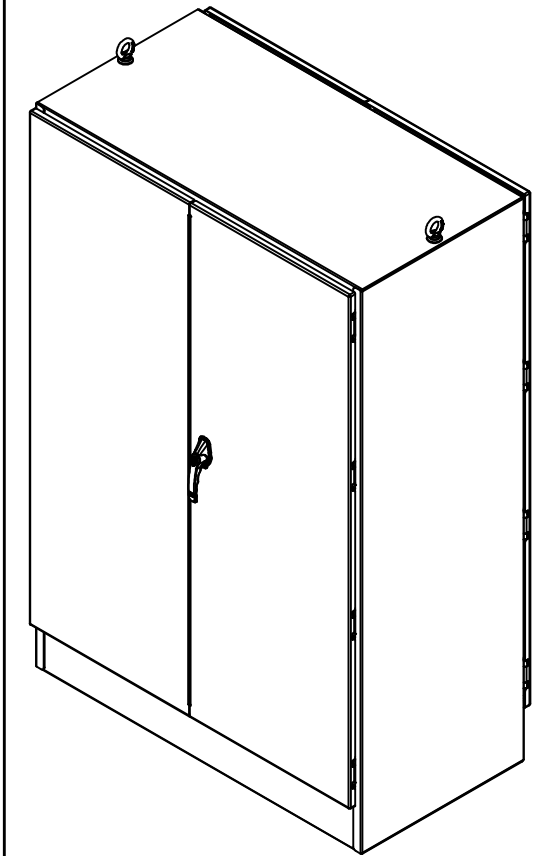
Struts secured with M6 x 10mm studs
 No stud: C_Depth < 12"
 2 studs: 12" ≤ C_Depth < 18"
 3 studs: C_Depth ≥ 18"

Weld inside of struts with the enclosure corner on both ends

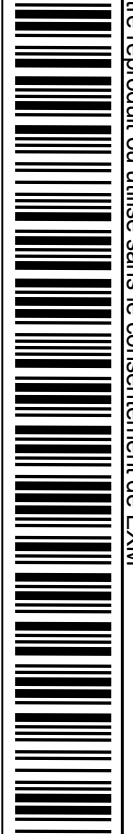
Full depth struts length


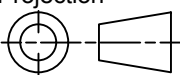


No.	Revisions	Date	By/Par



Isometric View



 Tél: (450) 979-4373 Fax: (450) 979-4626 www.exmweb.com		Flatness Aplatissement Max 3.0mm Projection 
Customer Client	Date	
Drawn By Dessiné Par PatrickD	Date 3/9/2020	
Material Matière	N/A	
Color Couleur	N/A	Finish Fini N/A
Description 9500DADD Welding Detail	Detail Rev.	
Part Number Numéro Pièce 9500DADD_WELDING_DETAIL	Rev. 0	1 1