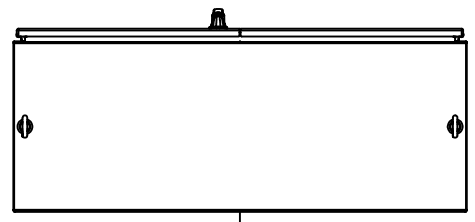
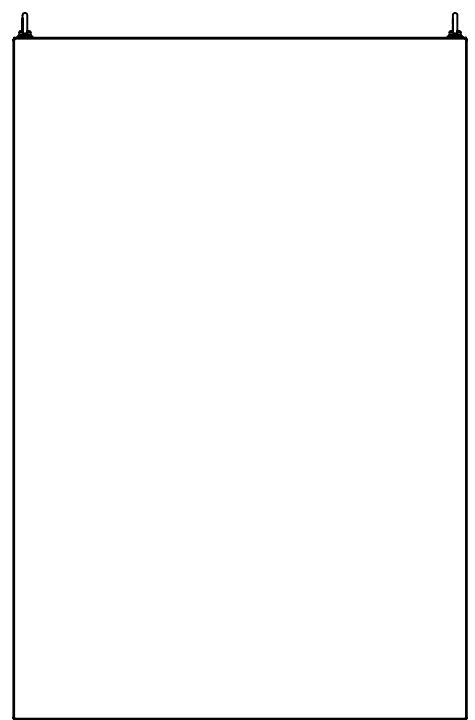


This drawing is confidential and must not be reproduced or used without the consent of EXM

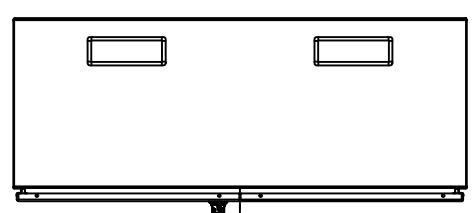
Ce dessin est confidentiel et ne doit pas être reproduit ou utilisé sans le consentement de EXM



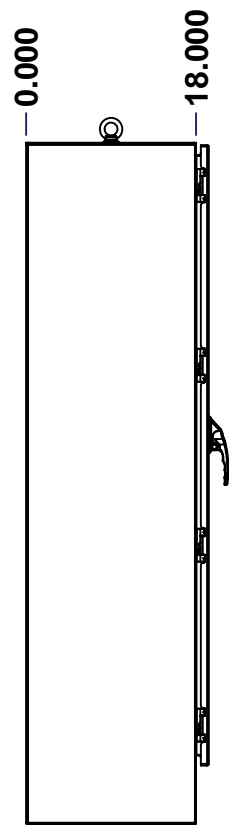
TOP



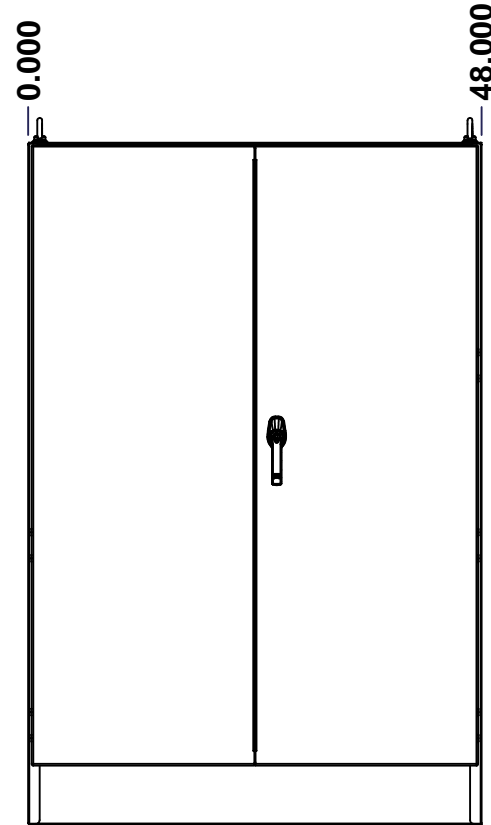
BACK



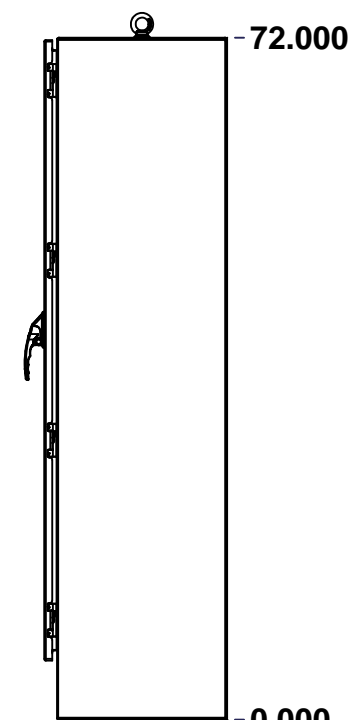
BOTTOM



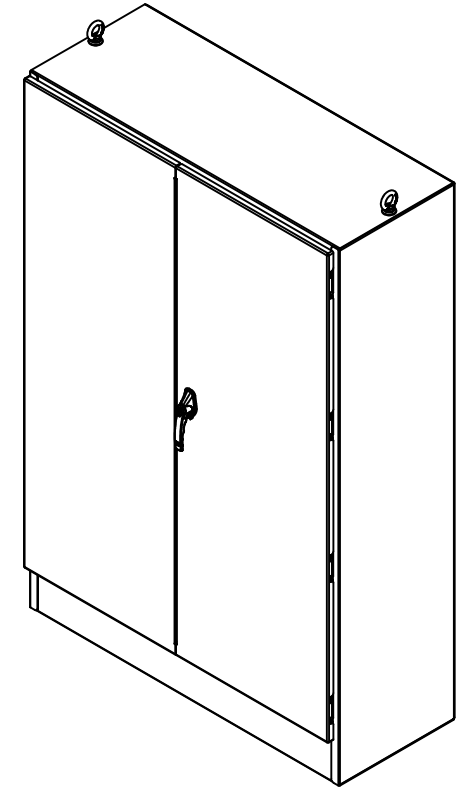
LEFT



FRONT




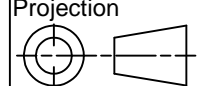
RIGHT



Isometric View



| No. | Revisions | Date | By/Par |
|-----|-----------|------|--------|
|     |           |      |        |
|     |           |      |        |
|     |           |      |        |
|     |           |      |        |
|     |           |      |        |

|  |   |   |
|--|---|---|
|  Tél: (450) 979-4373<br>Fax: (450) 979-4626<br><a href="http://www.exmweb.com">www.exmweb.com</a> |   | Flatness<br>Aplatissement<br>Max 3.0mm<br>Projection<br> |
| Customer<br>Client   | Date                                      |   |
| Drawn By<br>Dessiné Par  | BoxCad: BoxCad                            | Date 20-Jan-14  |
| Material<br>Matière  | 12 Ga Cold Rolled A1008 CS Type B (2.5mm) |   |
| Color<br>Couleur   | Asa-61 Grey                               | Finish<br>Fini Smooth   |
| Description  | 9500DD 72" x 48" x 18" Assembly           |   |
| Part Number<br>Numéro Pièce  | 9500DD724818                              | Detail Rev.<br>Rev. 1<br>0 2  |

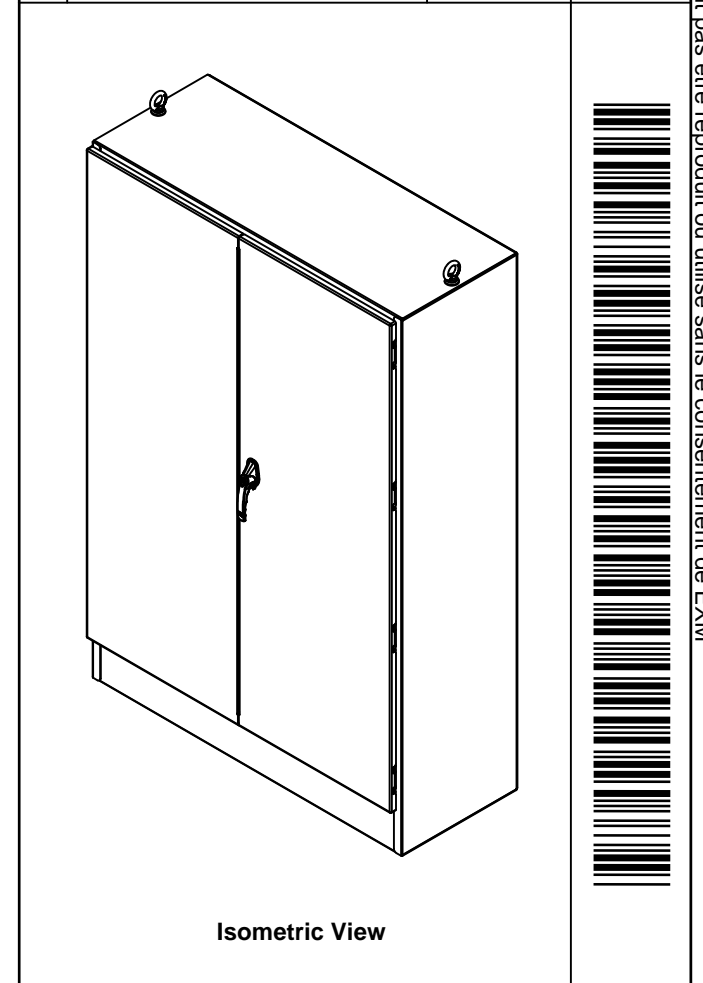
SEE BILL OF MATERIAL ON LAST PAGE

This drawing is confidential and must not be reproduced or used without the consent of EXM

Ce dessin est confidentiel et ne doit pas être reproduit ou utilisé sans le consentement de EXM

| NOTE |  |
|------|--|
| ITEM | DESCRIPTION                                |
| 1    | NEMA 12/13 Enclosure                       |
| 2    | C/W Standard ground studs on box and cover |
| 3    | C/W Standard door stiffener                |
| 4    | W/O Inner panel                            |
| 5    | C/W Standard inner panel mounting struts   |
| 6    | C/W Struts installed (Included)            |
| 7    | C/W Eyebolts                               |

| No. | Revisions | Date | By/Par |
|-----|-----------|------|--------|
|     |           |      |        |
|     |           |      |        |
|     |           |      |        |
|     |           |      |        |
|     |           |      |        |
|     |           |      |        |



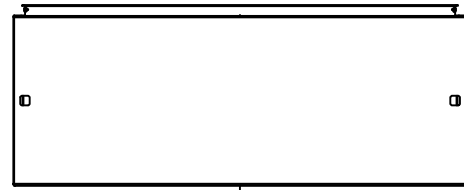
| PACKING               |     |  |
|-----------------------|-----|--|
| ITEM                  | QTY | DESCRIPTION                                    |
| Cardboard sleeve      | 2   | Top and Bottom                                 |
| Cardboard strip       | 2   | Between back of enclosure and inner panel      |
| Plastic bag           | 1   | To protect cover surface and inside gasket     |
| Cardboard corner      | 4   | To reinforced for the plastic strap tightening |
| Plastic strap - Black | 2   | To Squeeze 2 cardboard sleeve together         |
| Packaging label       | 3   | White label with PN                            |
| Plastic strap- Green  | 2   | To secure the enclosure to the wood pallet     |
| Wood Pallet           | 1   | 2" deeper and 3" larger than enclosure size    |

|            |                |     |   |
|------------|----------------|-----|---|
| 1          | 880EB14        | 2   | Eye Bolt M14 (Pack of 2)                                |
| 1          | 9500DD724818FD | 0   | 9500DD 72" x 48" Flange Door                            |
| 1          | 9500DD724818LD | 0   | 9500DD 72" x 48" Lock Door                              |
| 1          | 9500DD724818B  | 0   | 9500DD 72" x 48" x 18" Body                             |
| 2          | 9500DD724818GP | 0   | 9500DD Gland Plate                                      |
| 8          | STK-Q-04050-10 | 8   | M6 x 10mm Hexagon Socket Head Machine Screw with Nyseal |
| Qty        | Part Number    | Rev | Description   |
| Parts List |                |     |   |

|  |  |  |                    |
|--|--|--|--------------------|
|  |  | Tél: (450) 979-4373<br>Fax: (450) 979-4626<br><a href="http://www.exmweb.com">www.exmweb.com</a> |                    |
| Flatness<br>Aplatissement<br>Max 3.0mm |  | Projection<br>   |                    |
| Customer Client                        |  | Date   |                    |
| Drawn By<br>Dessiné Par BoxCad: BoxCad |  | Date 20-Jan-14   |                    |
| Material Matière                       |  | 12 Ga Cold Rolled A1008 CS Type B (2.5mm)  |                    |
| Color Couleur                          |  | Asa-61 Grey  | Finish Fini Smooth |
| Description                            |  |  | Detail Rev.        |
| 9500DD 72" x 48" x 18" Assembly        |  |  |                    |
| Part Number Numéro Pièce               |  | Rev.   | 2                  |
| <b>9500DD724818</b>                    |  | <b>0</b>   | <b>2</b>           |

This drawing is confidential and must not be reproduced or used without the consent of EXM

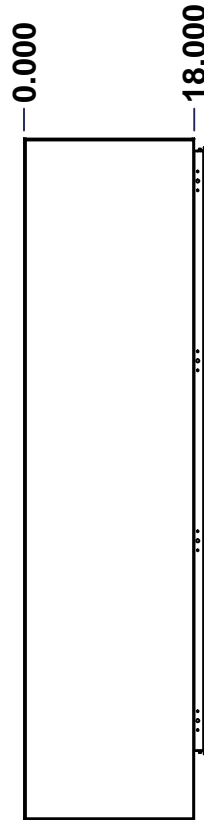
Ce dessin est confidentiel et ne doit pas être reproduit ou utilisé sans le consentement de EXM



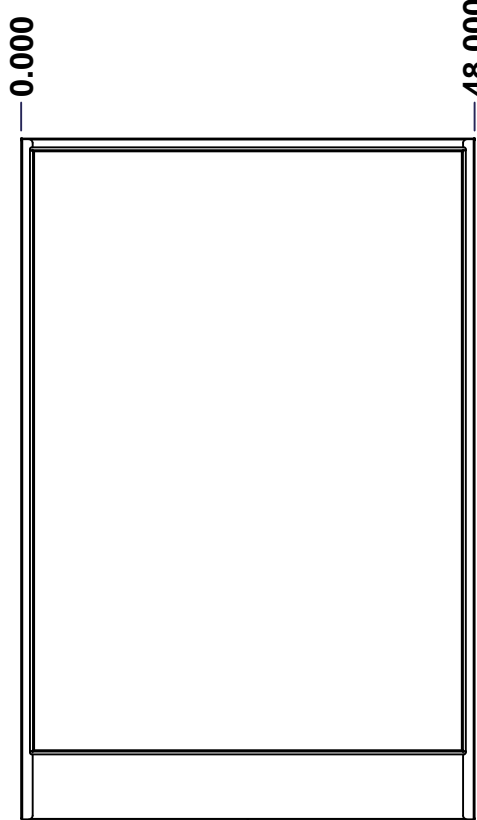
TOP



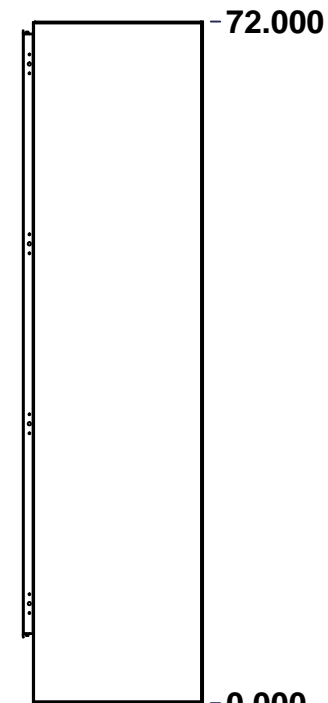
BACK



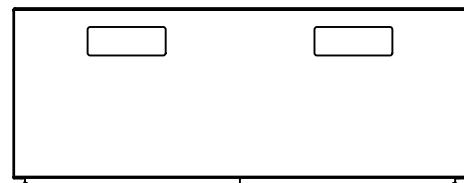
LEFT



FRONT

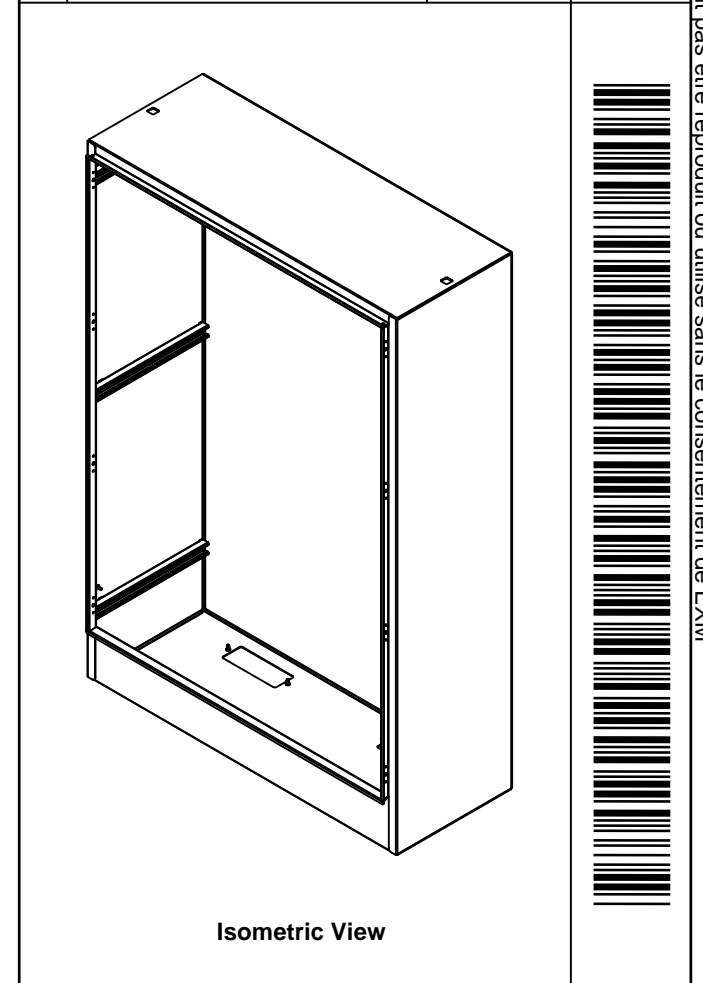


RIGHT




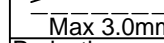
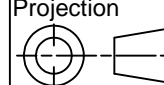
BOTTOM

| No. | Revisions | Date | By/Par |
|-----|-----------|------|--------|
|     |           |      |        |
|     |           |      |        |
|     |           |      |        |
|     |           |      |        |
|     |           |      |        |



Isometric View



|  |   |   |
|--|---|---|
|  Tél: (450) 979-4373<br>Fax: (450) 979-4626<br><a href="http://www.exmweb.com">www.exmweb.com</a> |   | Flatness<br>Aplatissement<br> Max 3.0mm<br>Projection<br> |
| Customer<br>Client   | Date                                      |   |
| Drawn By<br>Dessiné Par  | BoxCad: BoxCad                            | Date 20-Jan-14  |
| Material<br>Matière  | 12 Ga Cold Rolled A1008 CS Type B (2.5mm) |   |
| Color<br>Couleur   | Asa-61 Grey                               | Finish<br>Fini Smooth   |
| Description  | 9500DD 72" x 48" x 18" Body               |   |
| Part Number<br>Numéro Pièce  | 9500DD724818B                             | Detail Rev.<br>Rev. 1<br>0 2  |

SEE BILL OF MATERIAL ON LAST PAGE

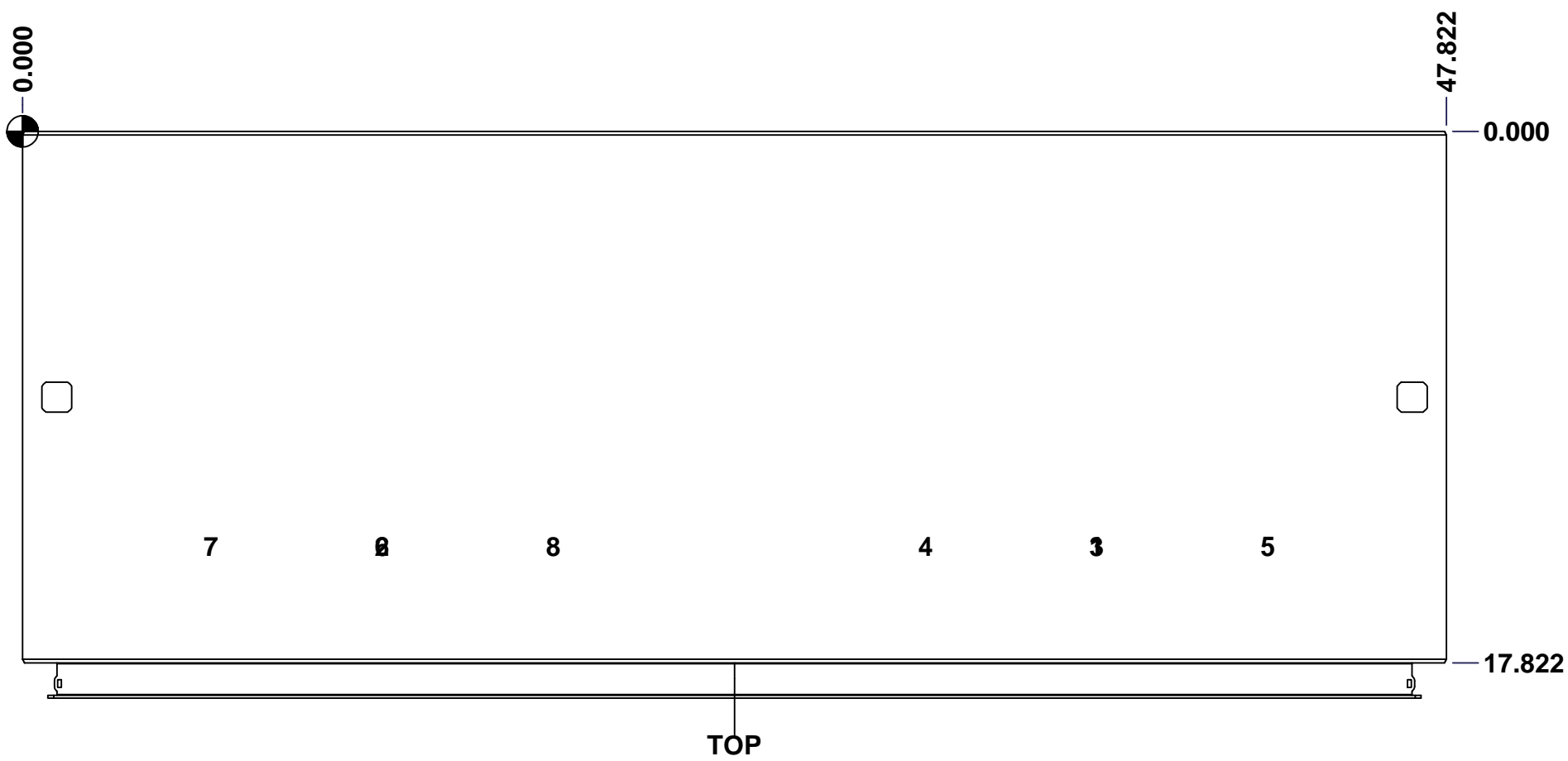
This drawing is confidential and must not be reproduced or used without the consent of EXM

Ce dessin est confidentiel et ne doit pas être reproduit ou utilisé sans le consentement de EXM

**STANDARD FEATURES ARE NOT LISTED IN THIS HOLE TABLE**

**HOLE TABLE - TOP VIEW (CUSTOM FEATURE ONLY)**

| CUT-OUT | XDIM   | YDIM   | DESCRIPTION                   |
|---------|--------|--------|-------------------------------|
| 1       | 35.911 | 13.911 | Struts CR400 17.500" (Inside) |
| 2       | 11.911 | 13.911 | Struts CR400 17.500" (Inside) |
| 3       | 35.911 | 13.911 | STUDS M6 x 10mm (Inside)      |
| 4       | 30.161 | 13.911 | STUDS M6 x 10mm (Inside)      |
| 5       | 41.661 | 13.911 | STUDS M6 x 10mm (Inside)      |
| 6       | 11.911 | 13.911 | STUDS M6 x 10mm (Inside)      |
| 7       | 6.161  | 13.911 | STUDS M6 x 10mm (Inside)      |
| 8       | 17.661 | 13.911 | STUDS M6 x 10mm (Inside)      |



|                             |                             |          |          |  |
|-----------------------------|-----------------------------|----------|----------|--|
|                             | Description                 |          | Status   |  |
|                             | 9500DD 72" x 48" x 18" Body |          | Released |  |
| Part Number<br>Numéro Pièce |                             | Rev.     | 2 / 7    |  |
| <b>9500DD724818B</b>        |                             | <b>0</b> |          |  |

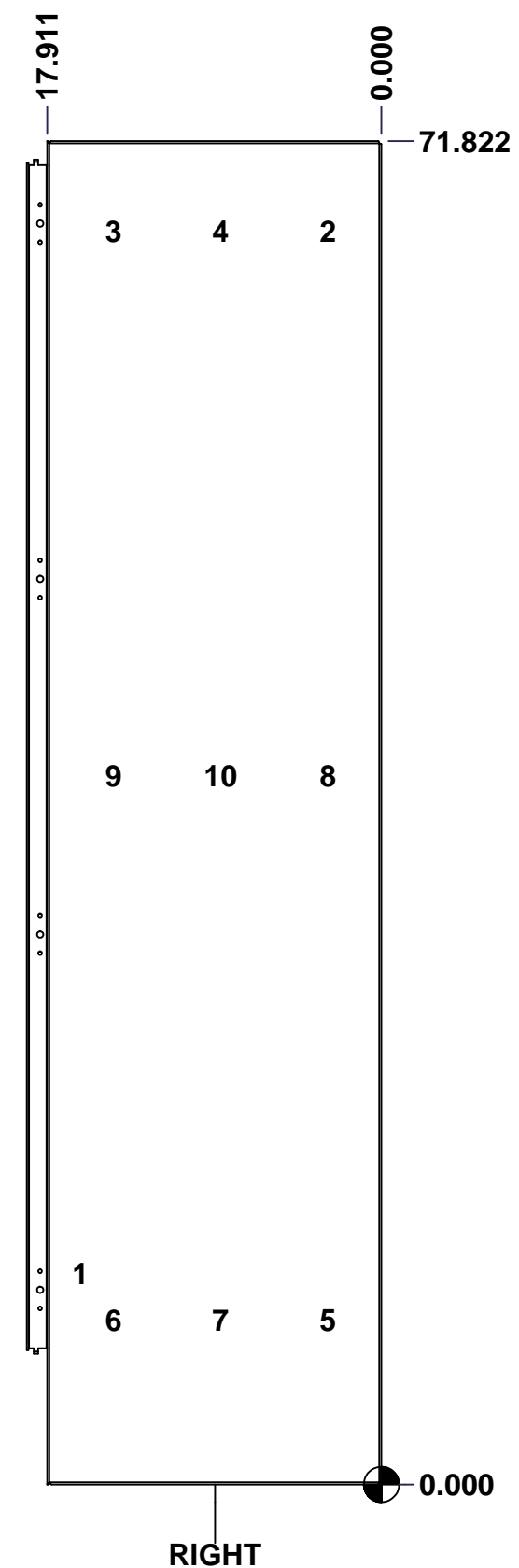
This drawing is confidential and must not be reproduced or used without the consent of EXM

Ce dessin est confidentiel et ne doit pas être reproduit ou utilisé sans le consentement de EXM

**STANDARD FEATURES ARE NOT LISTED IN THIS HOLE TABLE**

**HOLE TABLE - RIGHT VIEW (CUSTOM FEATURE ONLY)**

| CUT-OUT | XDIM   | YDIM   | DESCRIPTION                 |
|---------|--------|--------|-----------------------------|
| 1       | 16.411 | 11.286 | GND STUD M6 x 16mm (Inside) |
| 2       | 3.161  | 67.036 | STUDS M6 x 10mm (Inside)    |
| 3       | 14.661 | 67.036 | STUDS M6 x 10mm (Inside)    |
| 4       | 8.911  | 67.036 | STUDS M6 x 10mm (Inside)    |
| 5       | 3.161  | 8.786  | STUDS M6 x 10mm (Inside)    |
| 6       | 14.661 | 8.786  | STUDS M6 x 10mm (Inside)    |
| 7       | 8.911  | 8.786  | STUDS M6 x 10mm (Inside)    |
| 8       | 3.161  | 37.911 | STUDS M6 x 10mm (Inside)    |
| 9       | 14.661 | 37.911 | STUDS M6 x 10mm (Inside)    |
| 10      | 8.911  | 37.911 | STUDS M6 x 10mm (Inside)    |



|  |                             |          |
|--|-----------------------------|----------|
|  | Description                 | Status   |
|  | 9500DD 72" x 48" x 18" Body | Released |
|  | Part Number<br>Numéro Pièce | Rev.     |
|  | <b>9500DD724818B</b>        | <b>0</b> |
|  |                             | 3        |
|  |                             | 7        |

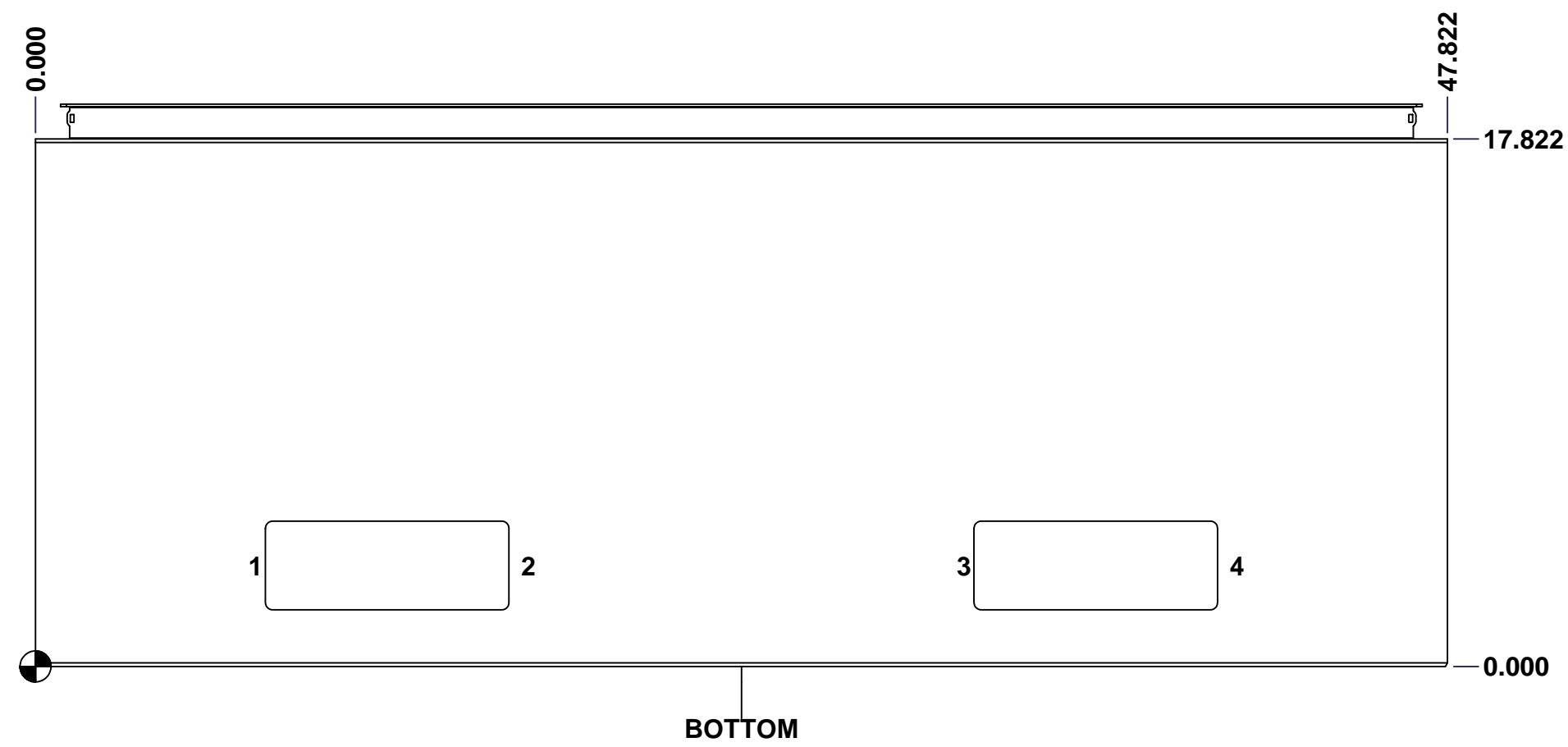
This drawing is confidential and must not be reproduced or used without the consent of EXM

Ce dessin est confidentiel et ne doit pas être reproduit ou utilisé sans le consentement de EXM

**STANDARD FEATURES ARE NOT LISTED IN THIS HOLE TABLE**

**HOLE TABLE - BOTTOM VIEW (CUSTOM FEATURE ONLY)**

| CUT-OUT | XDIM   | YDIM  | DESCRIPTION                |
|---------|--------|-------|----------------------------|
| 1       | 7.286  | 3.411 | GP STUD M6 x 16mm (Inside) |
| 2       | 16.536 | 3.411 | GP STUD M6 x 16mm (Inside) |
| 3       | 31.286 | 3.411 | GP STUD M6 x 16mm (Inside) |
| 4       | 40.536 | 3.411 | GP STUD M6 x 16mm (Inside) |



|  |                             |          |
|--|-----------------------------|----------|
|  | Description                 | Status   |
|  | 9500DD 72" x 48" x 18" Body | Released |
|  | Part Number<br>Numéro Pièce | Rev.     |
|  | <b>9500DD724818B</b>        | <b>0</b> |
|  |                             | 4 / 7    |

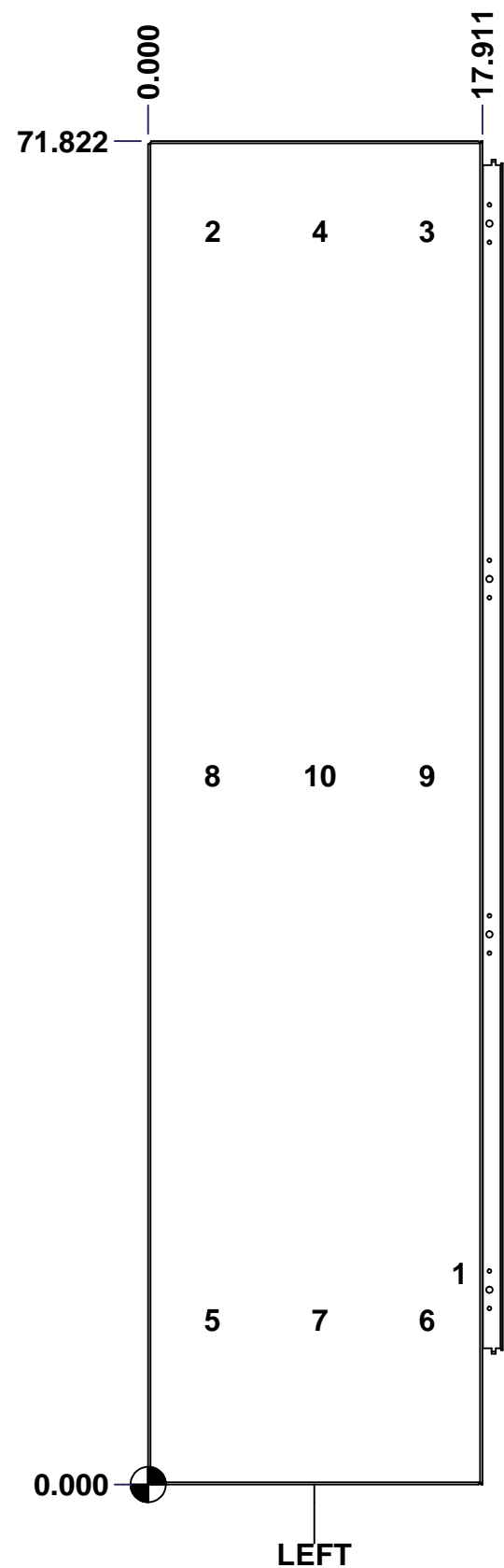
This drawing is confidential and must not be reproduced or used without the consent of EXM

Ce dessin est confidentiel et ne doit pas être reproduit ou utilisé sans le consentement de EXM

**STANDARD FEATURES ARE NOT LISTED IN THIS HOLE TABLE**

**HOLE TABLE - LEFT VIEW (CUSTOM FEATURE ONLY)**

| CUT-OUT | XDIM   | YDIM   | DESCRIPTION                 |
|---------|--------|--------|-----------------------------|
| 1       | 16.411 | 11.286 | GND STUD M6 x 16mm (Inside) |
| 2       | 3.161  | 67.036 | STUDS M6 x 10mm (Inside)    |
| 3       | 14.661 | 67.036 | STUDS M6 x 10mm (Inside)    |
| 4       | 8.911  | 67.036 | STUDS M6 x 10mm (Inside)    |
| 5       | 3.161  | 8.786  | STUDS M6 x 10mm (Inside)    |
| 6       | 14.661 | 8.786  | STUDS M6 x 10mm (Inside)    |
| 7       | 8.911  | 8.786  | STUDS M6 x 10mm (Inside)    |
| 8       | 3.161  | 37.911 | STUDS M6 x 10mm (Inside)    |
| 9       | 14.661 | 37.911 | STUDS M6 x 10mm (Inside)    |
| 10      | 8.911  | 37.911 | STUDS M6 x 10mm (Inside)    |

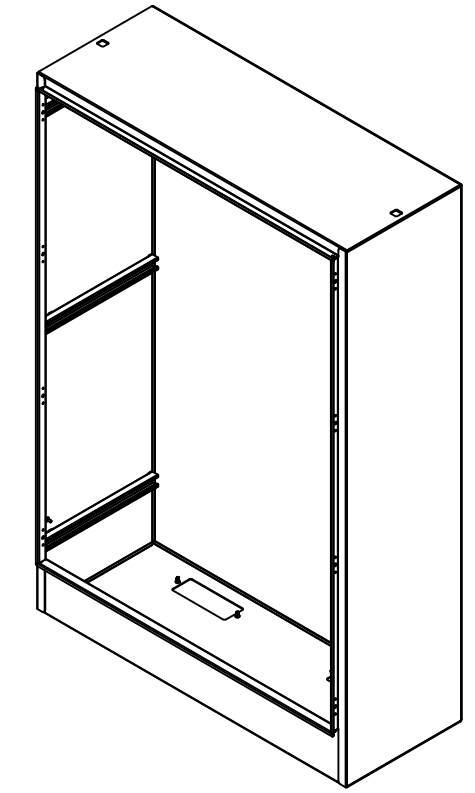


|  |                             |          |   |
|--|-----------------------------|----------|---|
|  | Description                 | Status   |   |
|  | 9500DD 72" x 48" x 18" Body | Released |   |
|  | Part Number<br>Numéro Pièce | Rev.     | 5 |
|  | <b>9500DD724818B</b>        | <b>0</b> | 7 |

This drawing is confidential and must not be reproduced or used without the consent of EXM

Ce dessin est confidentiel et ne doit pas être reproduit ou utilisé sans le consentement de EXM

| No. | Revisions | Date | By/Par |
|-----|-----------|------|--------|
|     |           |      |        |
|     |           |      |        |
|     |           |      |        |
|     |           |      |        |
|     |           |      |        |



Isometric View



| Qty | Part Number      | Rev | Description                              |
|-----|------------------|-----|--|
| 24  | STK-Q-16030      | 0   | Stud M6 x 10mm                           |
| 1   | STK-P-02400S     | 0   | Powder Paint (Asa-61 Grey / Smooth)      |
| 6   | STK-Q-52250-18   | 2   | Sasco Strut S5 (17.500" Long)            |
| 1   | 9500DD724818BT-P | 0   | 9500DD 48" x 18" Bottom Part             |
| 1   | 9500DD724818T-P  | 0   | 9500DD 48" x 18" Top Part                |
| 1   | 9500DD724818RS-P | 0   | 9500DD 72" x 48" Right Part              |
| 1   | 9500DD724818LS-P | 0   | 9500DD 72" x 48" Left Part               |
| 1   | 9500DD724818B-P  | 0   | 9500DD 72" x 48" Back Part               |
| 2   | CR400MS_17.5     | 0   | Commercial Roll Mild Steel (17.5in long) |
| 24  | STK-Q-07220      | 1   | M6 Nylon Insert Lock Nut                 |
| 6   | STK-Q-16080      | 0   | Ground Stud M6 x 16mm                    |
|     |                  |     |  |
|     |                  |     |  |

|  |  |  |  |  |  |
|--|--|--|--|--|--|
|  |  | Tél: (450) 979-4373<br>Fax: (450) 979-4626<br><a href="http://www.exmweb.com">www.exmweb.com</a> |  | Flatness<br>Aplatissement<br>Max 3.0mm |  |
| Customer<br>Client                         |  | Date   |  | Projection<br>                         |  |
| Drawn By<br>Dessiné Par                    |  | BoxCad: BoxCad   |  | Date 20-Jan-14                         |  |
| Material<br>Matière                        |  | 12 Ga Cold Rolled A1008 CS Type B (2.5mm)  |  |  |  |
| Color<br>Couleur                           |  | Asa-61 Grey  |  | Finish<br>Fini Smooth                  |  |
| Description<br>9500DD 72" x 48" x 18" Body |  |  |  | Detail Rev.                            |  |
| Part Number<br>Numéro Pièce                |  |  |  | Rev. 2                                 |  |
| <b>9500DD724818B</b>                       |  |  |  | <b>0</b>                               |  |

Parts List

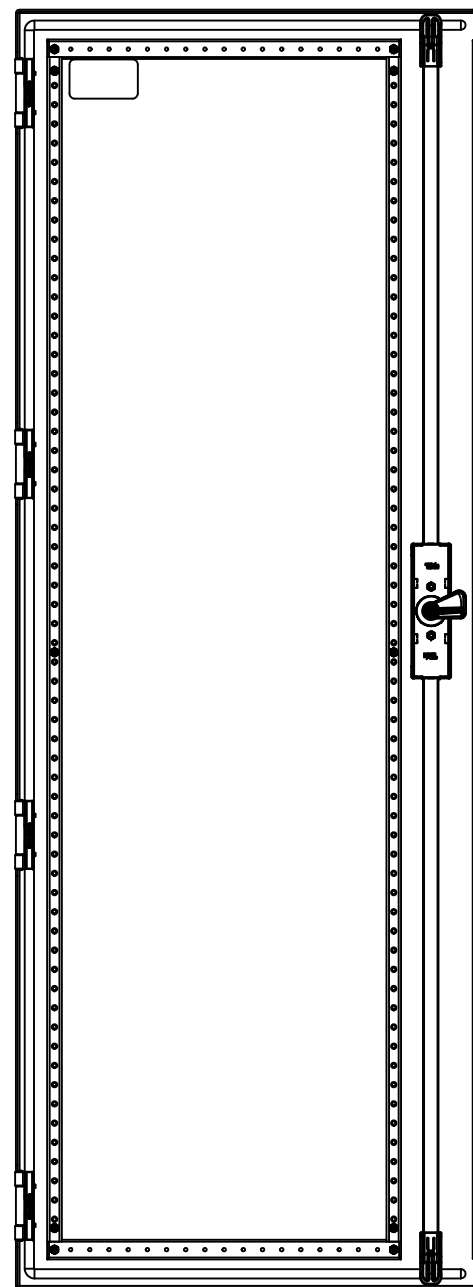


This drawing is confidential and must not be reproduced or used without the consent of EXM

Ce dessin est confidentiel et ne doit pas être reproduit ou utilisé sans le consentement de EXM



TOP

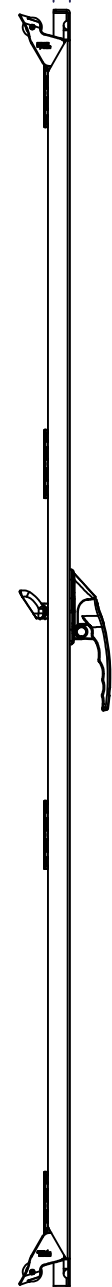


BACK



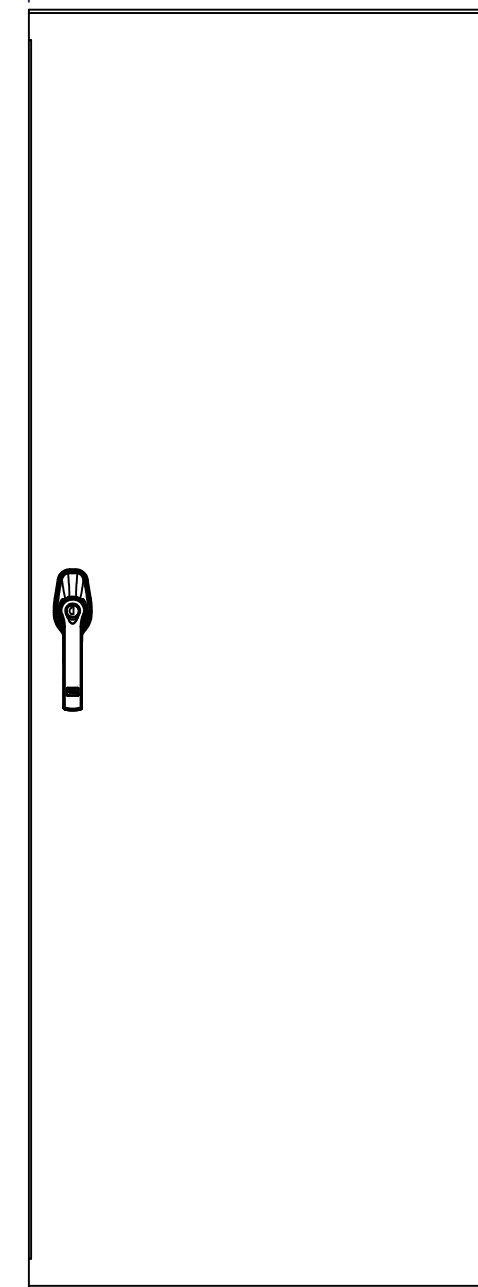
BOTTOM

0.000  
0.835



LEFT

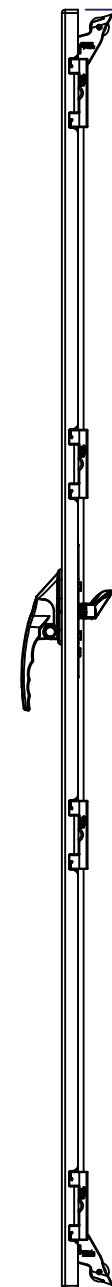
23.561



FRONT

0.000

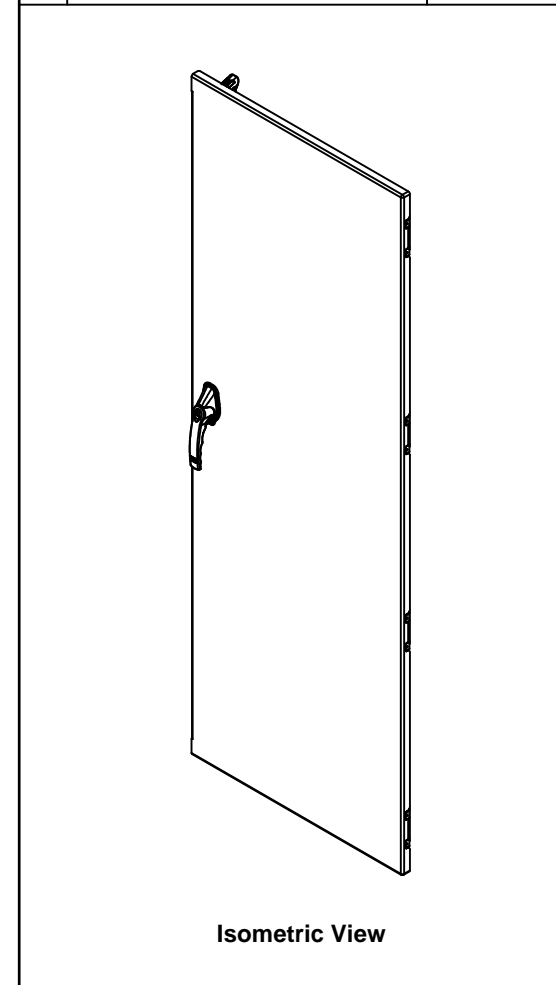
65.549



RIGHT


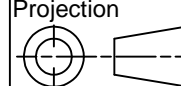
0.000

| No. | Revisions | Date | By/Par |
|-----|-----------|------|--------|
|     |           |      |        |
|     |           |      |        |
|     |           |      |        |
|     |           |      |        |
|     |           |      |        |



Isometric View



|  |   |   |
|--|---|---|
|  Tél: (450) 979-4373<br>Fax: (450) 979-4626<br><a href="http://www.exmweb.com">www.exmweb.com</a> |   | Flatness<br>Aplatissement<br>Max 3.0mm<br>Projection<br> |
| Customer Client  |   | Date  |
| Drawn By<br>Dessiné Par  | BoxCad: BoxCad                            | Date 20-Jan-14  |
| Material<br>Matière  | 12 Ga Cold Rolled A1008 CS Type B (2.5mm) |   |
| Color<br>Couleur   | Asa-61 Grey                               | Finish<br>Fini Smooth   |
| Description<br>9500DD 72" x 48" Lock Door  |   | Detail Rev.   |
| Part Number<br>Numéro Pièce  | 9500DD724818LD                            | Rev. 1<br>0   |

SEE BILL OF MATERIAL ON LAST PAGE

3

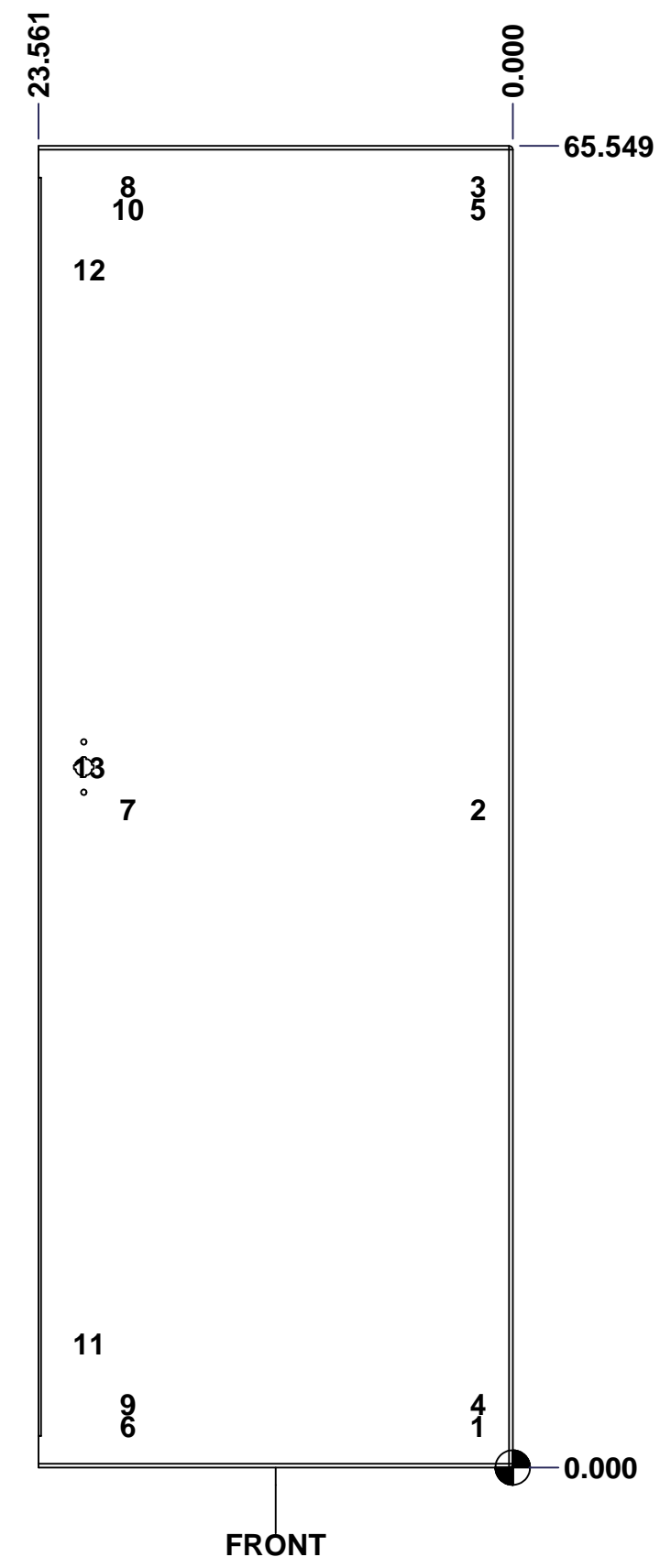
This drawing is confidential and must not be reproduced or used without the consent of EXM

Ce dessin est confidentiel et ne doit pas être reproduit ou utilisé sans le consentement de EXM

**STANDARD FEATURES ARE NOT LISTED IN THIS HOLE TABLE**

**HOLE TABLE - FRONT VIEW (CUSTOM FEATURE ONLY)**

| CUT-OUT | XDIM   | YDIM   | DESCRIPTION                  |
|---------|--------|--------|------------------------------|
| 1       | 1.983  | 2.028  | STUD M6 x 18mm (Inside)      |
| 2       | 1.983  | 32.628 | STUD M6 x 18mm (Inside)      |
| 3       | 1.983  | 63.521 | STUD M6 x 18mm (Inside)      |
| 4       | 1.983  | 3.139  | STUD M6 x 18mm (Inside)      |
| 5       | 1.983  | 62.409 | STUD M6 x 18mm (Inside)      |
| 6       | 19.390 | 2.028  | STUD M6 x 18mm (Inside)      |
| 7       | 19.390 | 32.628 | STUD M6 x 18mm (Inside)      |
| 8       | 19.390 | 63.521 | STUD M6 x 18mm (Inside)      |
| 9       | 19.390 | 3.139  | STUD M6 x 18mm (Inside)      |
| 10      | 19.390 | 62.409 | STUD M6 x 18mm (Inside)      |
| 11      | 21.311 | 6.118  | STUD M6 x 18mm (Inside)      |
| 12      | 21.311 | 59.430 | STUD M6 x 18mm (Inside)      |
| -----   | -----  | -----  | -----                        |
| 13      | 21.311 | 34.743 | HANDLE 885 ESL2A-APHK @ 0.0° |

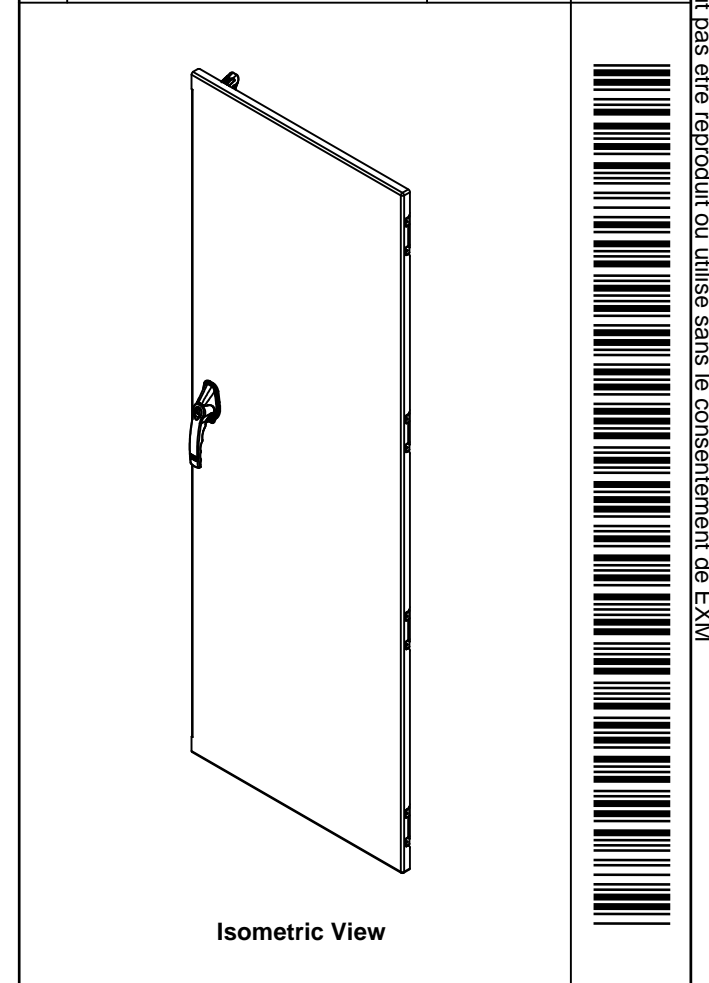


|  |                             |          |
|--|-----------------------------|----------|
|  | Description                 | Status   |
|  | 9500DD 72" x 48" Lock Door  | (NULL)   |
|  | Part Number<br>Numéro Pièce | Rev.     |
|  | <b>9500DD724818LD</b>       | <b>0</b> |
|  |                             | 2        |
|  |                             | 3        |

This drawing is confidential and must not be reproduced or used without the consent of EXM

Ce dessin est confidentiel et ne doit pas être reproduit ou utilisé sans le consentement de EXM

| No. | Revisions | Date | By/Par |
|-----|-----------|------|--------|
|     |           |      |        |
|     |           |      |        |
|     |           |      |        |
|     |           |      |        |
|     |           |      |        |



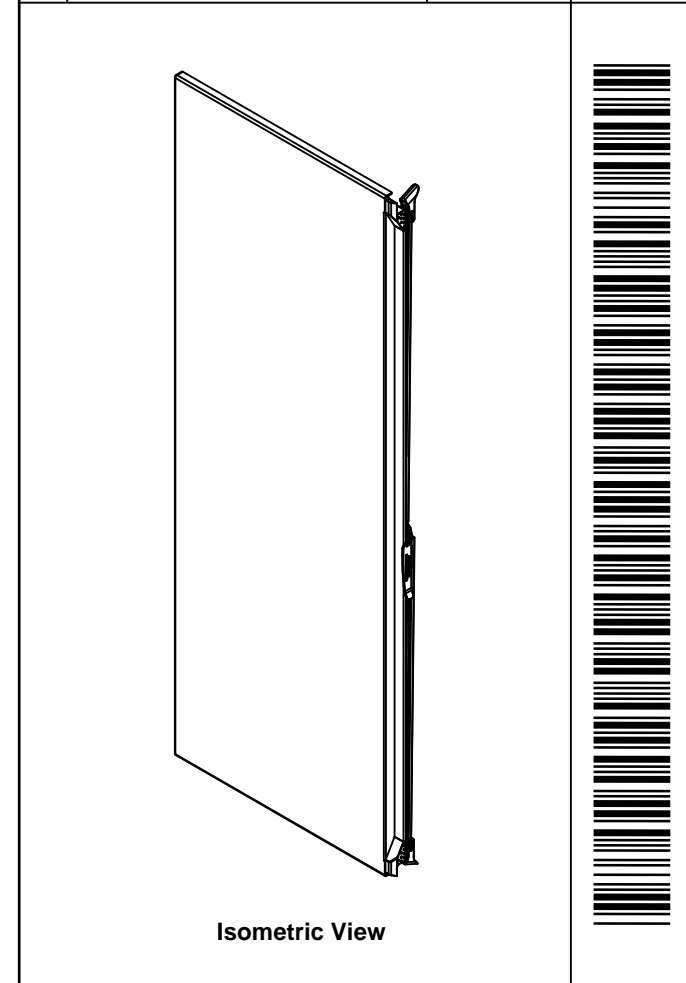
| 1          | STK-Q-47527      | 1   | 9500 Lower Closing Bar 72"                               |
|------------|------------------|-----|--|
| 1          | STK-Q-47517      | 1   | 9500 Upper Closing Bar 72"                               |
| 1          | STK-A-03986-36   | 2   | Gearbox Counterclockwise Assembly (36.0mm)               |
| 1          | 885ESL2A-APHK    | 6   | 885 ESL2A-APHK - Zinc Die Cast L-Handle Padlockable Assy |
| 1          | STK-P-02400S     | 0   | Powder Paint (Asa-61 Grey / Smooth)                      |
| 1          | STK-S-00100      | 0   | 3.5" x 2" Silver Milar Flexcon Sticker                   |
| 1          | 9500DD724818LDG  | 0   | 9500DD 72" x 48" Lock Door Gasket                        |
| 1          | STK-K-10830      | 3   | 9500 - Door Stiffener Assembly                           |
| 2          | STK-Q-16410      | 0   | Guide Stud - Largel (No Paint Cap Required)              |
| 10         | STK-Q-16055      | 1   | M6 x 18mm Stud (No Paint Cap Required)                   |
| 1          | 9500DD724818LD-P | 0   | 9500DD 72" x 48" Lock Door Part                          |
| 4          | STK-K-09860      | 7   | Cabinet Hinge with Captive Pins                          |
| 2          | STK-A-90025      | 0   | 9500 - Cabinet Closing Bar End (Large)                   |
| Qty        | Part Name        | Rev | Description  |
| Parts List |                  |     |  |


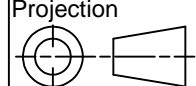
|  |  |                           |
|--|--|---------------------------|
| Tél: (450) 979-4373<br>Fax: (450) 979-4626<br><a href="http://www.exmweb.com">www.exmweb.com</a> |  | Flatness<br>Aplatissement |
|  |  | Max 3.0mm                 |
| Customer<br>Client   |  | Date                      |
| Drawn By<br>Dessiné Par BoxCad: BoxCad   |  | Date 20-Jan-14            |
| Material<br>Matière 12 Ga Cold Rolled A1008 CS Type B (2.5mm)                                    |  | Projection                |
| Color<br>Couleur Asa-61 Grey   |  | Finish<br>Fini Smooth     |
| Description<br>9500DD 72" x 48" Lock Door  |  | Detail Rev.               |
| Part Number<br>Numéro Pièce <b>9500DD724818LD</b>  |  | Rev. 3                    |
|  |  | <b>0</b>                  |
|  |  | 3                         |

This drawing is confidential and must not be reproduced or used without the consent of EXM

Ce dessin est confidentiel et ne doit pas être reproduit ou utilisé sans le consentement de EXM

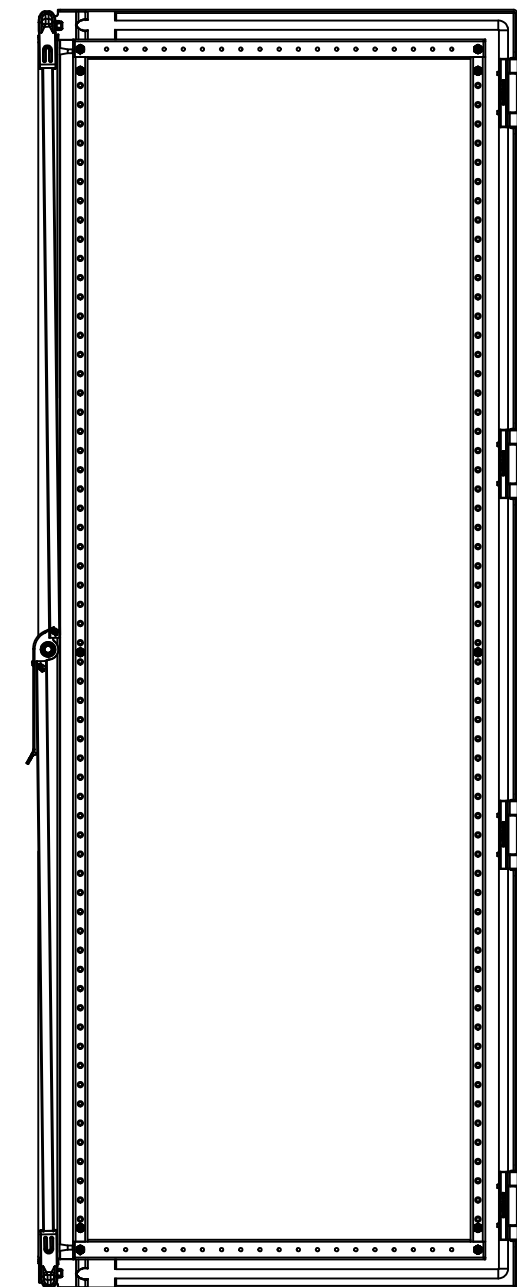
| No. | Revisions | Date | By/Par |
|-----|-----------|------|--------|
|     |           |      |        |
|     |           |      |        |
|     |           |      |        |
|     |           |      |        |
|     |           |      |        |



|  |  |   |        |
|--|--|---|--------|
|  Tél: (450) 979-4373<br>Fax: (450) 979-4626<br><a href="http://www.exmweb.com">www.exmweb.com</a> |  | Flatness<br>Aplatissement   |        |
|  |  | Max 3.0mm   |        |
| Customer<br>Client   |  | Date  |        |
| Drawn By<br>Dessiné Par BoxCad: BoxCad   |  | Date 20-Jan-14  |        |
| Material<br>Matière 12 Ga Cold Rolled A1008 CS Type B (2.5mm)  |  | Projection  |        |
| Color<br>Couleur Asa-61 Grey   |  |  Finish<br>Fini Smooth |        |
| Description<br>9500DD 72" x 48" Flange Door  |  | Detail Rev.   |        |
| Part Number<br>Numéro Pièce <b>9500DD724818FD</b>  |  | Rev. <b>0</b>   | 1<br>3 |



**TOP**



**BACK**



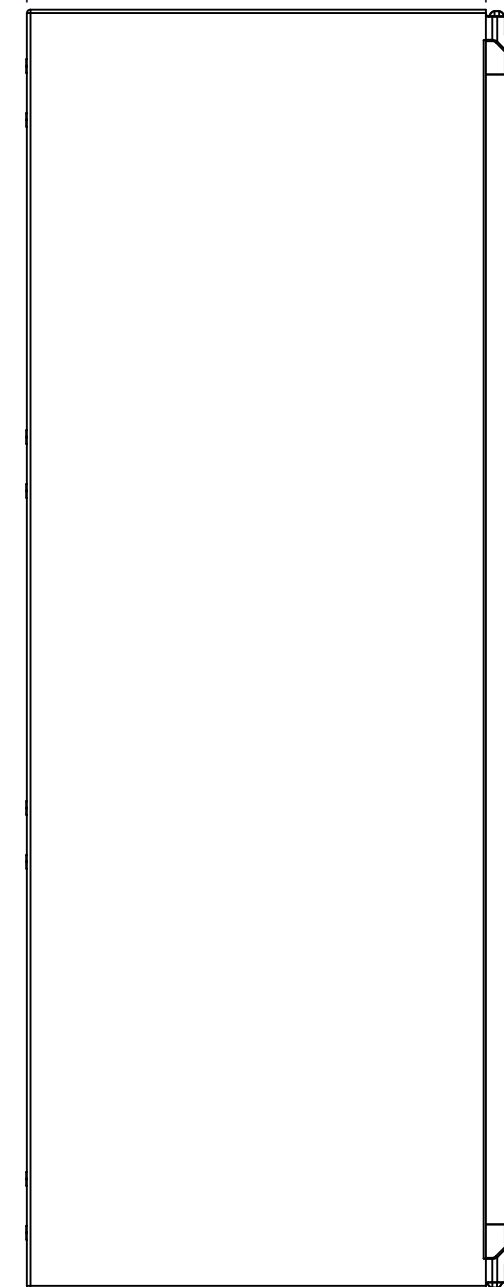
**BOTTOM**

0.000  
0.835



**LEFT**

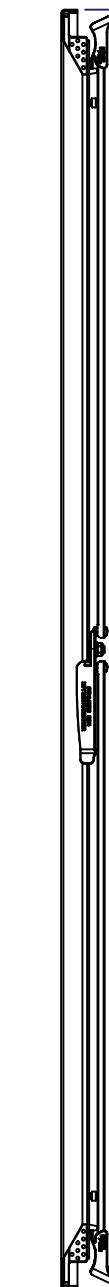
0.000



**FRONT**

23.561

65.549



**RIGHT**

0.000

**SEE BILL OF MATERIAL ON LAST PAGE**

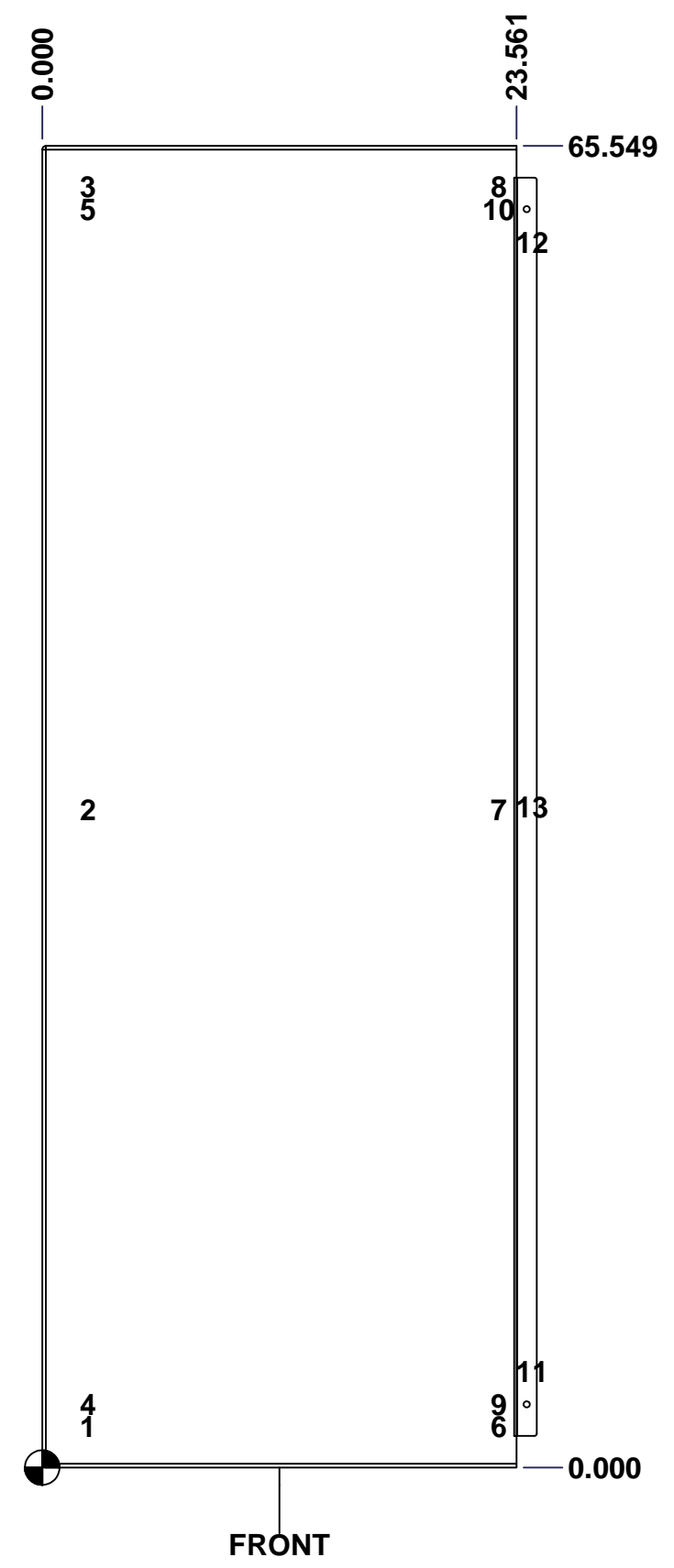
This drawing is confidential and must not be reproduced or used without the consent of EXM

Ce dessin est confidentiel et ne doit pas être reproduit ou utilisé sans le consentement de EXM

**STANDARD FEATURES ARE NOT LISTED IN THIS HOLE TABLE**

**HOLE TABLE - FRONT VIEW (CUSTOM FEATURE ONLY)**

| CUT-OUT | XDIM   | YDIM   | DESCRIPTION                |
|---------|--------|--------|----------------------------|
| 1       | 2.000  | 2.028  | STUD M6 x 18mm (Inside)    |
| 2       | 2.000  | 32.628 | STUD M6 x 18mm (Inside)    |
| 3       | 2.000  | 63.521 | STUD M6 x 18mm (Inside)    |
| 4       | 2.000  | 3.139  | STUD M6 x 18mm (Inside)    |
| 5       | 2.000  | 62.409 | STUD M6 x 18mm (Inside)    |
| 6       | 22.407 | 2.028  | STUD M6 x 18mm (Inside)    |
| 7       | 22.407 | 32.628 | STUD M6 x 18mm (Inside)    |
| 8       | 22.407 | 63.521 | STUD M6 x 18mm (Inside)    |
| 9       | 22.407 | 3.139  | STUD M6 x 18mm (Inside)    |
| 10      | 22.407 | 62.409 | STUD M6 x 18mm (Inside)    |
| 11      | 24.061 | 4.774  | CLOSING BAR GUIDE (Inside) |
| 12      | 24.061 | 60.774 | CLOSING BAR GUIDE (Inside) |
| 13      | 24.061 | 32.774 | STUD M10 x 20mm (Inside)   |

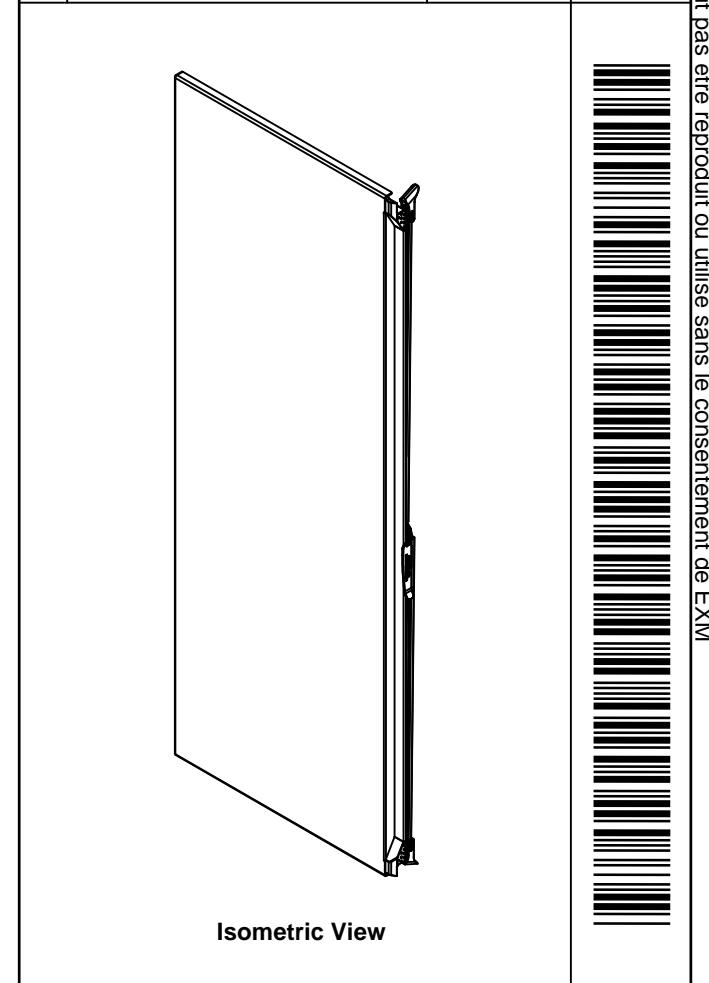


|  |                              |                  |
|--|------------------------------|------------------|
|  | Description                  | Status           |
|  | 9500DD 72" x 48" Flange Door | (NULL)           |
|  | Part Number<br>Numéro Pièce  | Rev.             |
|  | <b>9500DD724818FD</b>        | <b>0</b> / 2 / 3 |

This drawing is confidential and must not be reproduced or used without the consent of EXM

Ce dessin est confidentiel et ne doit pas être reproduit ou utilisé sans le consentement de EXM

| No. | Revisions | Date | By/Par |
|-----|-----------|------|--------|
|     |           |      |        |
|     |           |      |        |
|     |           |      |        |
|     |           |      |        |
|     |           |      |        |



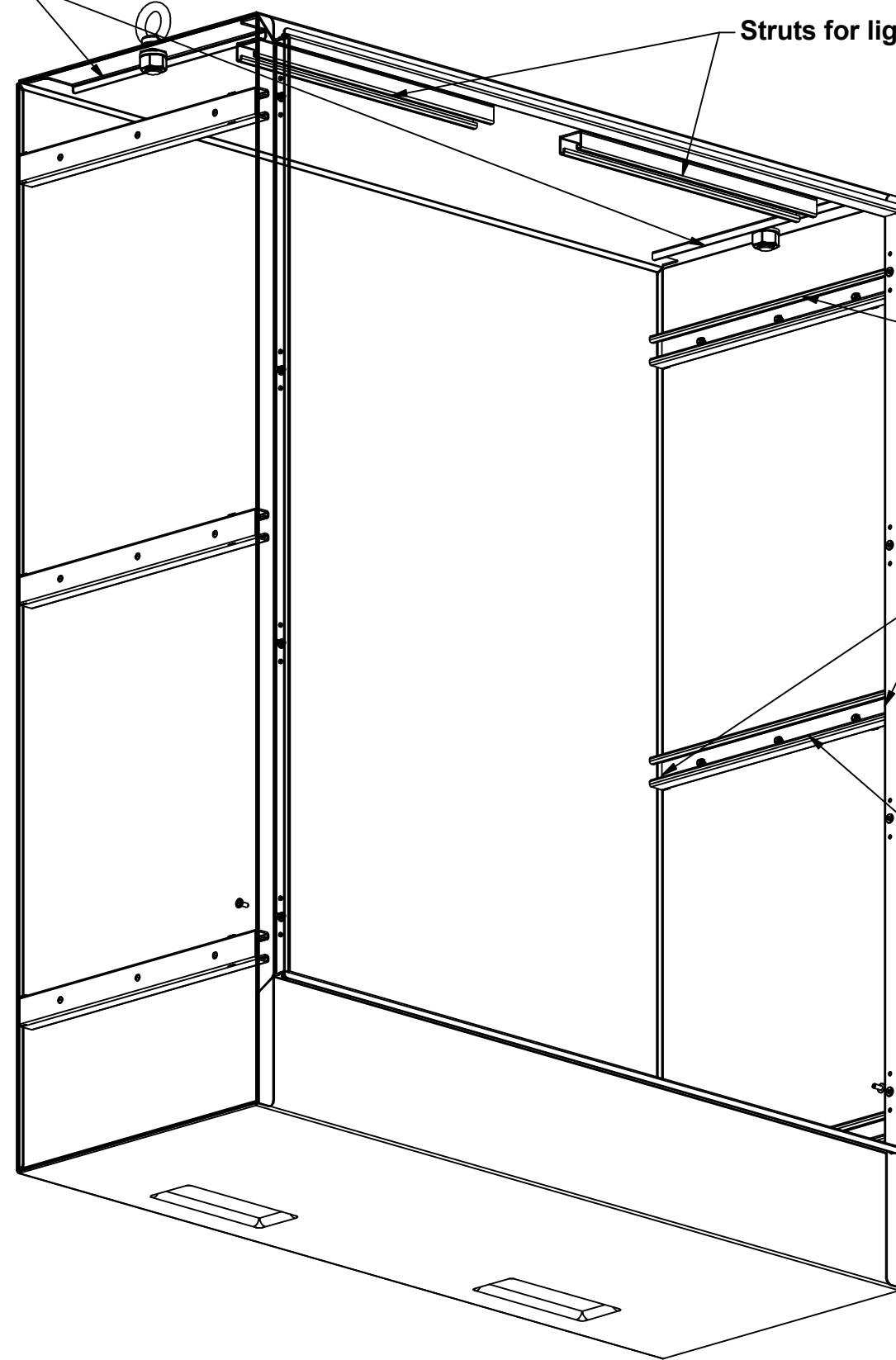
| 1          | STK-P-02400S     | 0   | Powder Paint (Asa-61 Grey / Smooth)        |
|------------|------------------|-----|--|
| 1          | STK-G-03400      | 0   | 5500 DD Lower Flange Door Gasket           |
| 1          | STK-G-03300      | 0   | 5500 DD Upper Flange Door Gasket           |
| 2          | STK-Q-90045      | 0   | Cabinet - Closing Bar End                  |
| 2          | STK-Q-45660-72   | 2   | 9500 DD - Flange Door Closing Bar          |
| 1          | STK-K-50556      | 4   | 9500 DD - Flange Door Handle Assy          |
| 1          | STK-K-20830      | 3   | 9500 - Flange Door Stiffener Assembly      |
| 1          | STK-Q-16122      | 1   | Stud M10 x 20mm                            |
| 1          | STK-G-00701      | 0   | 1" x 1/4" Self-Adhesive Neoprene Gasket    |
| 1          | 9500DD724818FDG  | 0   | 9500DD 72" x 48" Flange Door Gasket        |
| 2          | STK-Q-16405      | 6   | Guide Stud - Small (No Paint Cap Required) |
| 10         | STK-Q-16055      | 1   | M6 x 18mm Stud (No Paint Cap Required)     |
| 1          | 9500DD724818FD-P | 0   | 9500DD 72" x 48" Flange Door Part          |
| 4          | STK-K-09860      | 7   | Cabinet Hinge with Captive Pins            |
| Qty        | Part Name        | Rev | Description                                |
| Parts List |                  |     |  |

|  |   |
|--|---|
| Tél: (450) 979-4373<br>Fax: (450) 979-4626<br><a href="http://www.exmweb.com">www.exmweb.com</a> | Flatness<br>Aplatissement                 |
|  | Max 3.0mm                                 |
| Projection   |   |
| Customer<br>Client   | Date                                      |
| Drawn By<br>Dessiné Par  | Date 20-Jan-14                            |
| BoxCad: BoxCad   |   |
| Material<br>Matière  | 12 Ga Cold Rolled A1008 CS Type B (2.5mm) |
| Color<br>Couleur   | Asa-61 Grey                               |
| Finish<br>Fini   | Smooth                                    |
| Description  | Detail Rev.                               |
| 9500DD 72" x 48" Flange Door   |   |
| Part Number<br>Numéro Pièce  | Rev. 3                                    |
| <b>9500DD724818FD</b>  | <b>0</b>                                  |

All knockouts are actual size / Les disques défonçables sont grandeur réel  
 All dimensions are before paint / Toutes les dimensions sont avant peinture

This drawing is confidential and must not be reproduced or used without the consent of EXM

Lifting angles are the flanges of RS and LS top



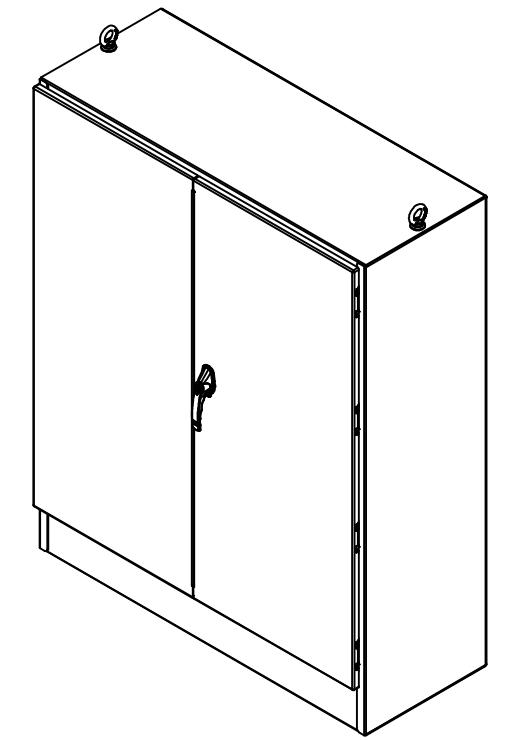
Struts for light secured with stud only (No weld)

Struts secured with M6 x 10mm studs  
 No stud: C\_Depth < 12"  
 2 studs: 12" ≤ C\_Depth < 18"  
 3 studs: C\_Depth ≥ 18"

Weld inside of struts with the enclosure corner on both ends

Full depth struts length

| No. | Revisions | Date | By |
|-----|-----------|------|----|
|     |           |      |    |
|     |           |      |    |
|     |           |      |    |
|     |           |      |    |



Isometric View



Tél: (450) 979-4373  
 Fax: (450) 979-4626  
[www.exmweb.com](http://www.exmweb.com)

Flatness  
 Aplatissement  
 Max 3.0mm  
 Projection

|   |                    |         |
|---|--------------------|---------|
| Customer Client                                   | Date               |         |
| Drawn By / Dessiné Par: PatrickD                  | Date               | 30/2021 |
| Material / Matière: N/A                           |                    |         |
| Color / Couleur: N/A                              | Finish / Fini: N/A |         |
| Description: 9500DD Welding Detail                | Detail Rev.        |         |
| Part Number / Numéro Pièce: 9500DD_WELDING_DETAIL | Rev. 0             | 1 / 1   |

Ce dessin est confidentiel et ne doit pas être reproduit ou utilisé sans le consentement de EXM