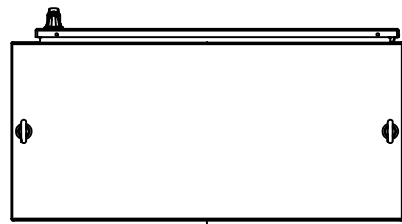
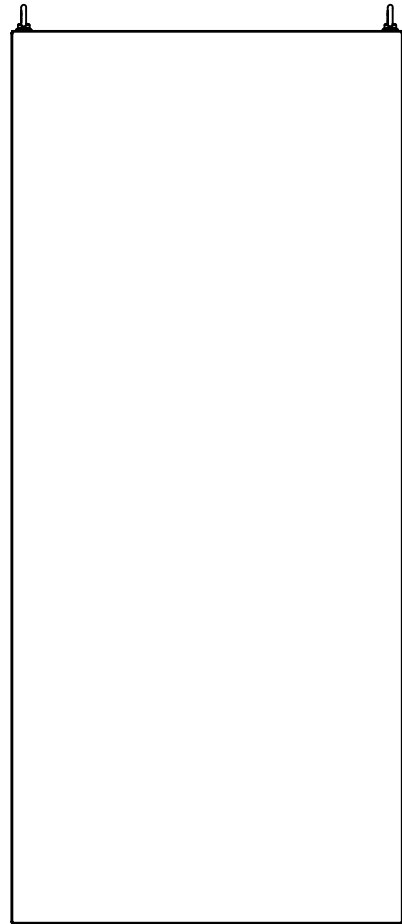


This drawing is confidential and must not be reproduced or used without the consent of EXM

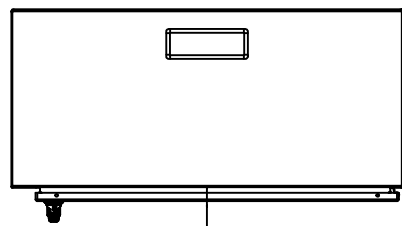
Ce dessin est confidentiel et ne doit pas être reproduit ou utilisé sans le consentement de EXM



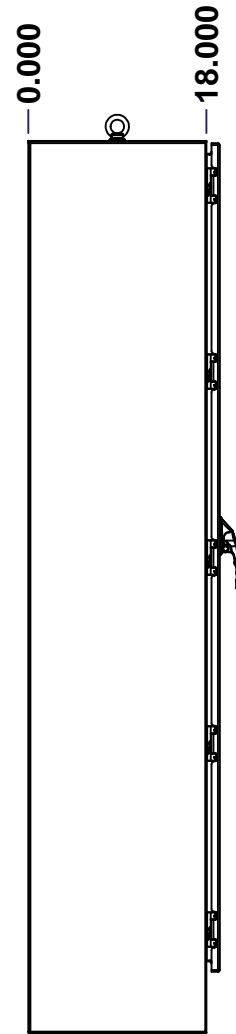
TOP



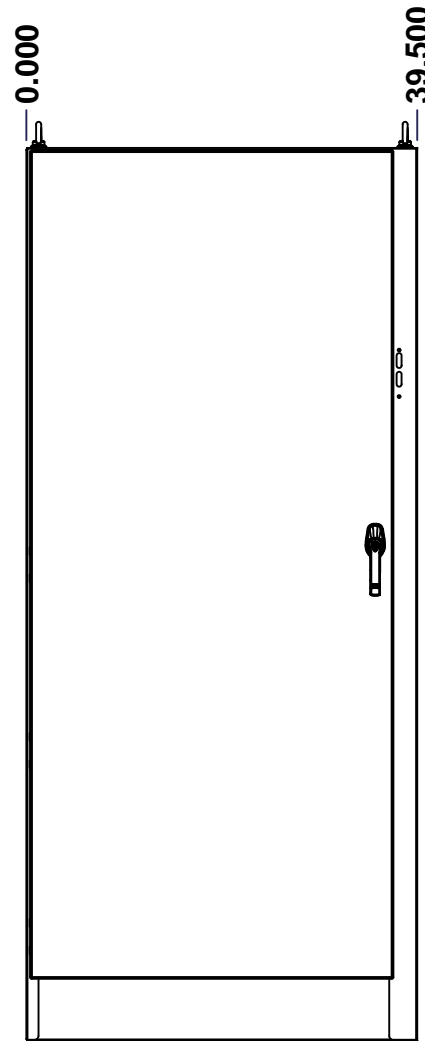
BACK



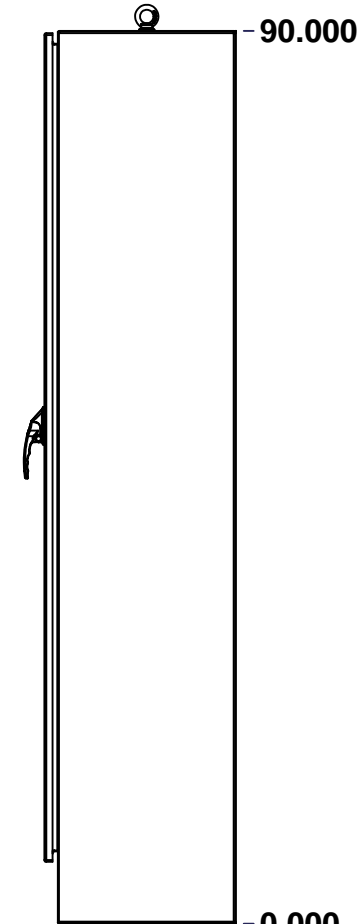
BOTTOM



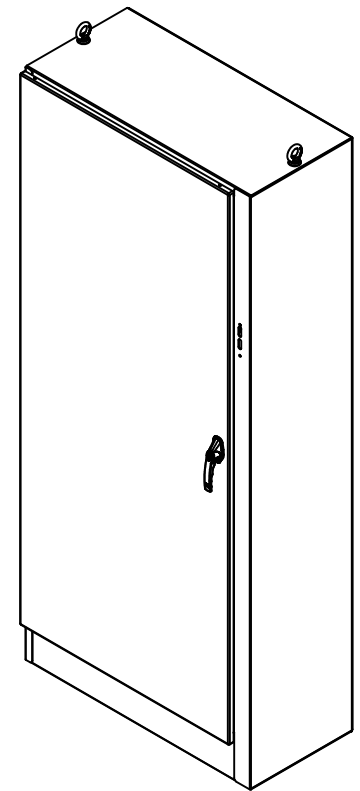
LEFT



FRONT




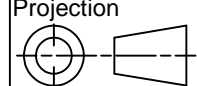
RIGHT



Isometric View



No.	Revisions	Date	By/Par

 Tél: (450) 979-4373 Fax: (450) 979-4626 www.exmweb.com		Flatness Aplatissement Max 3.0mm Projection 
Customer Client	Date	
Drawn By Dessiné Par	BoxCad: BoxCad	Date 09-Apr-22
Material Matière	12 Ga Cold Rolled A1008 CS Type B (2.5mm)	
Color Couleur	Asa-61 Grey	Finish Fini Smooth
Description	Detail Rev.	
9500U1D 90" x 39.5" x 18" Assembly		
Part Number Numéro Pièce	Rev. 0	1 2
9500U1D904018		

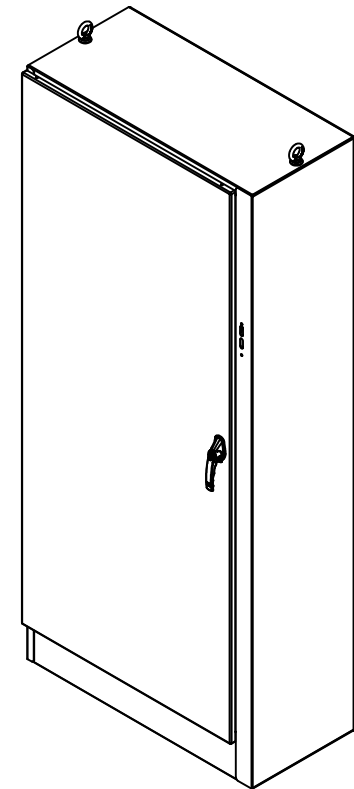
SEE BILL OF MATERIAL ON LAST PAGE

This drawing is confidential and must not be reproduced or used without the consent of EXM

Ce dessin est confidentiel et ne doit pas être reproduit ou utilisé sans le consentement de EXM

NOTE	
ITEM	DESCRIPTION
1	NEMA 12/13 Enclosure
2	C/W Standard ground studs on box and cover
3	C/W Standard door stiffener
4	C/W Special inner panel (Sold separately)
5	C/W Standard inner panel mounting studs
6	C/W Eyebolts
7	C/W Struts installed (Included)
8	C/W Special handle sold separately (Kit)

No.	Revisions	Date	By/Par



Isometric View



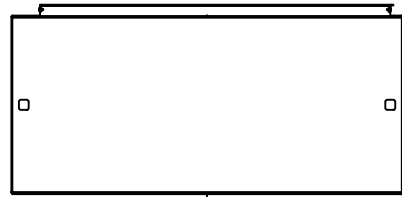
PACKING		
ITEM	QTY	DESCRIPTION
Cardboard sleeve	2	Top and Bottom
Cardboard strip	2	Between back of enclosure and inner panel
Plastic bag	1	To protect cover surface and inside gasket
Cardboard corner	4	To reinforced for the plastic strap tightening
Plastic strap - Black	2	To Squeeze 2 cardboard sleeve together
Packaging label	3	White label with PN
Plastic strap- Green	2	To secure the enclosure to the wood pallet
Wood Pallet	1	2" deeper and 3" larger than enclosure size

Qty	Part Number	Rev	Description
1	9500U1D904018GP	0	9500U1D Gland Plate
1	880EB14	2	Eye Bolt M14 (Pack of 2)
6	STK-Q-07320	0	Flange Lock Nut M10
1	9500U1D904018IP	0	9500U1D 90" x 39.5" Inner Panel
6	STK-Q-07620	0	M10 Plastic Spacer 0.875"
1	9500U1D904018C	0	9500U1D 90" x 39.5" Back Cover
1	9500U1D904018B	0	9500U1D 90" x 39.5" x 18" Body
5	STK-Q-04050-10	8	M6 x 10mm Hexagon Socket Head Machine Screw with Nyseal
Parts List			

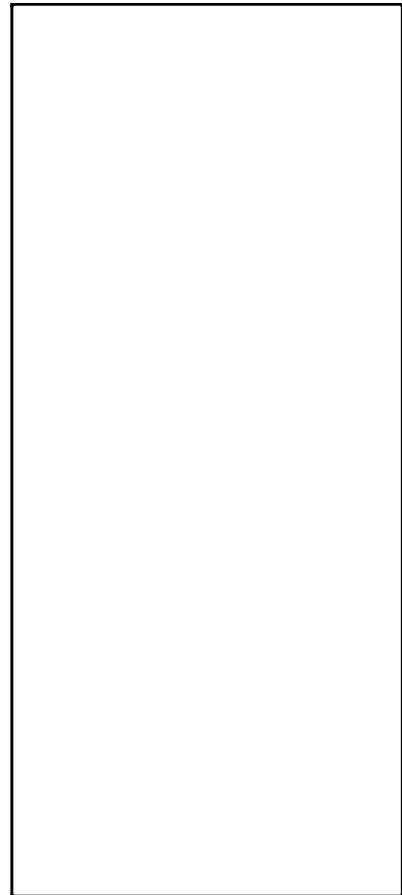
		Tél: (450) 979-4373 Fax: (450) 979-4626 www.exmweb.com		Flatness Aplatissement Max 3.0mm	
Customer Client		Date		Projection	
Drawn By Dessiné Par BoxCad: BoxCad		Date 09-Apr-22			
Material Matière 12 Ga Cold Rolled A1008 CS Type B (2.5mm)		Color Couleur Asa-61 Grey		Finish Fini Smooth	
Description 9500U1D 90" x 39.5" x 18" Assembly				Detail Rev.	
Part Number Numéro Pièce 9500U1D904018				Rev. 0 / 2	

This drawing is confidential and must not be reproduced or used without the consent of EXM

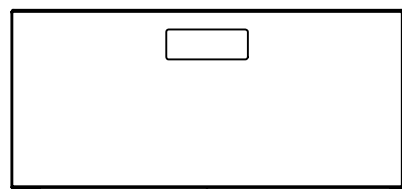
Ce dessin est confidentiel et ne doit pas être reproduit ou utilisé sans le consentement de EXM



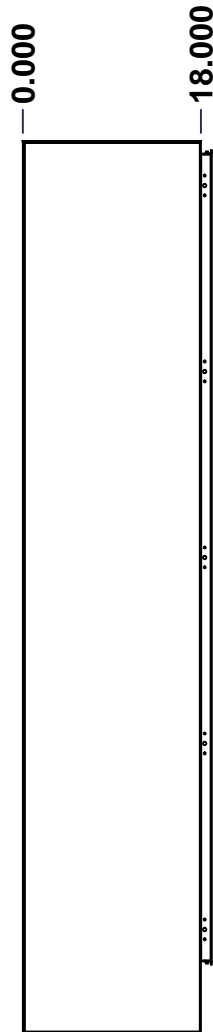
TOP



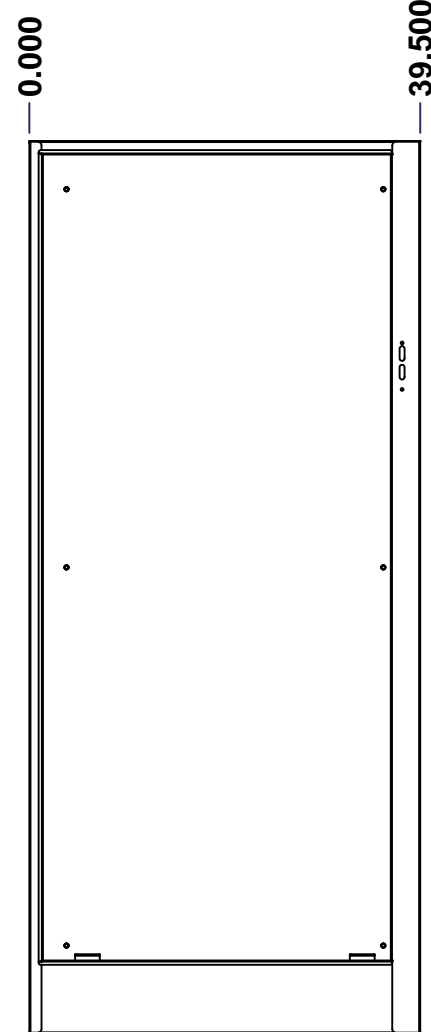
BACK



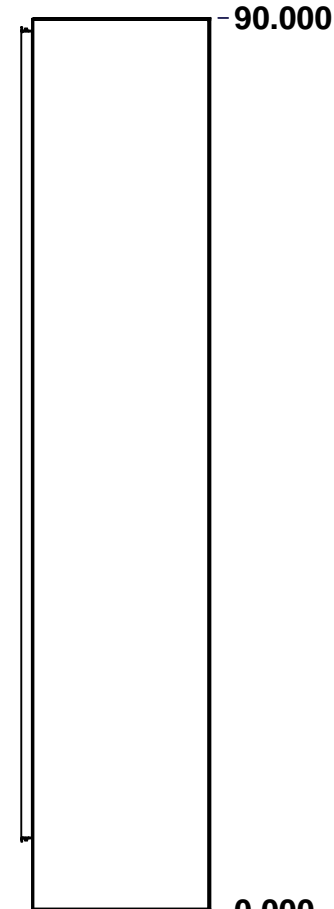
BOTTOM



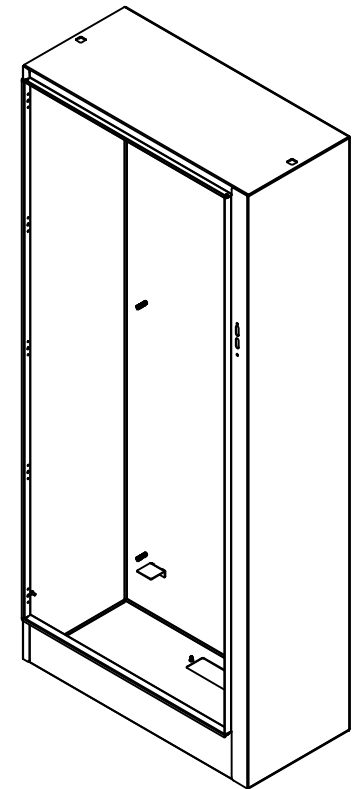
LEFT



FRONT





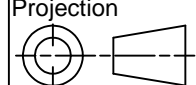
RIGHT



Isometric View



No.	Revisions	Date	By/Par

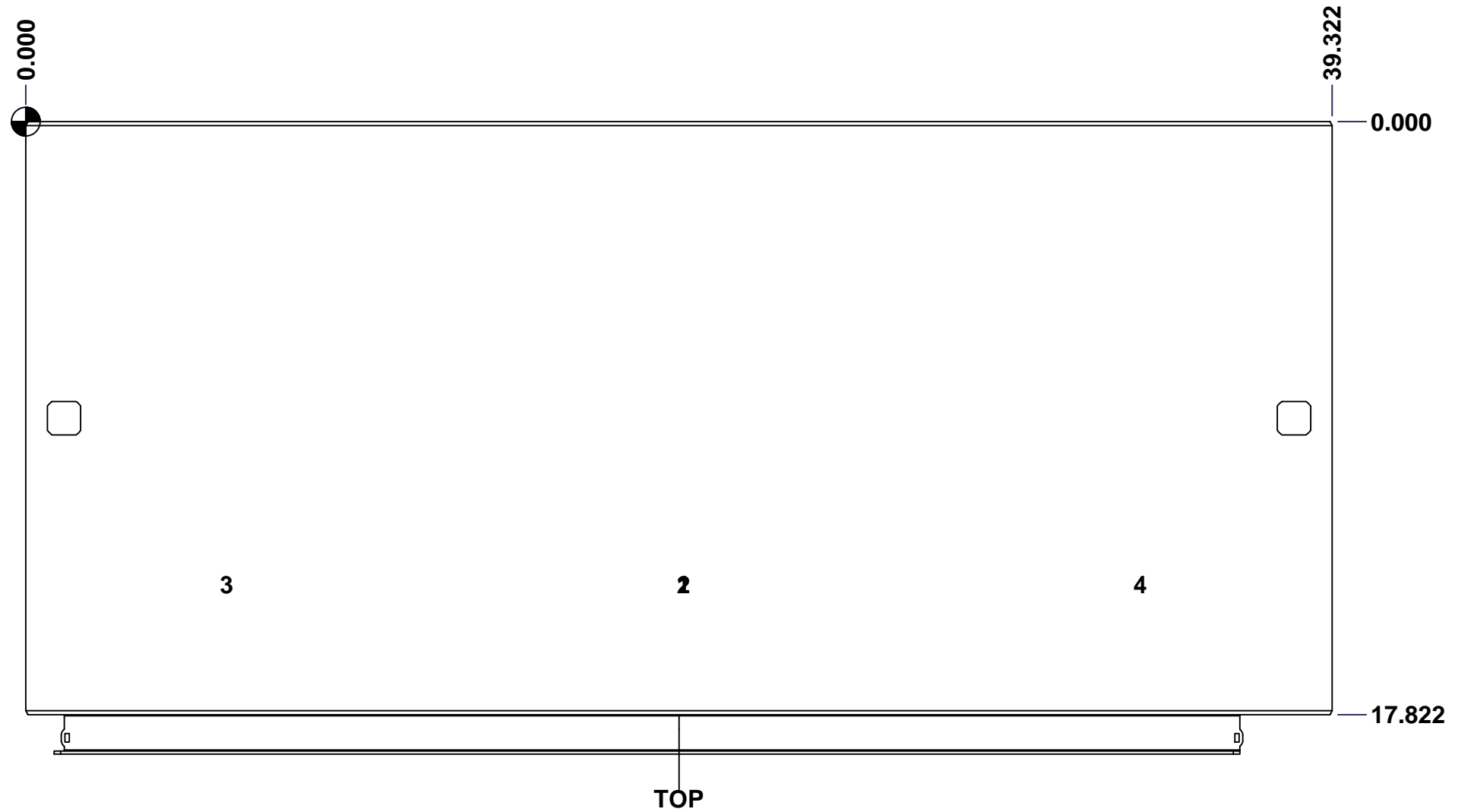
 Tél: (450) 979-4373 Fax: (450) 979-4626 www.exmweb.com		Flatness Aplatissement  Max 3.0mm Projection 
Customer Client	Date	
Drawn By Dessiné Par	BoxCad: BoxCad	Date 09-Apr-22
Material Matière	12 Ga Cold Rolled A1008 CS Type B (2.5mm)	
Color Couleur	Asa-61 Grey	Finish Fini Smooth
Description	9500U1D 90" x 39.5" x 18" Body	
Part Number Numéro Pièce	9500U1D904018B	Detail Rev. Rev. 1 0 2

SEE BILL OF MATERIAL ON LAST PAGE

This drawing is confidential and must not be reproduced or used without the consent of EXM

Ce dessin est confidentiel et ne doit pas être reproduit ou utilisé sans le consentement de EXM

STANDARD FEATURES ARE NOT LISTED IN THIS HOLE TABLE			
HOLE TABLE - TOP VIEW (CUSTOM FEATURE ONLY)			
CUT-OUT	XDIM	YDIM	DESCRIPTION
1	19.661	13.911	Struts CR400 33.500" (Inside)
2	19.661	13.911	STUDS M6 x 10mm (Inside)
3	5.911	13.911	STUDS M6 x 10mm (Inside)
4	33.411	13.911	STUDS M6 x 10mm (Inside)

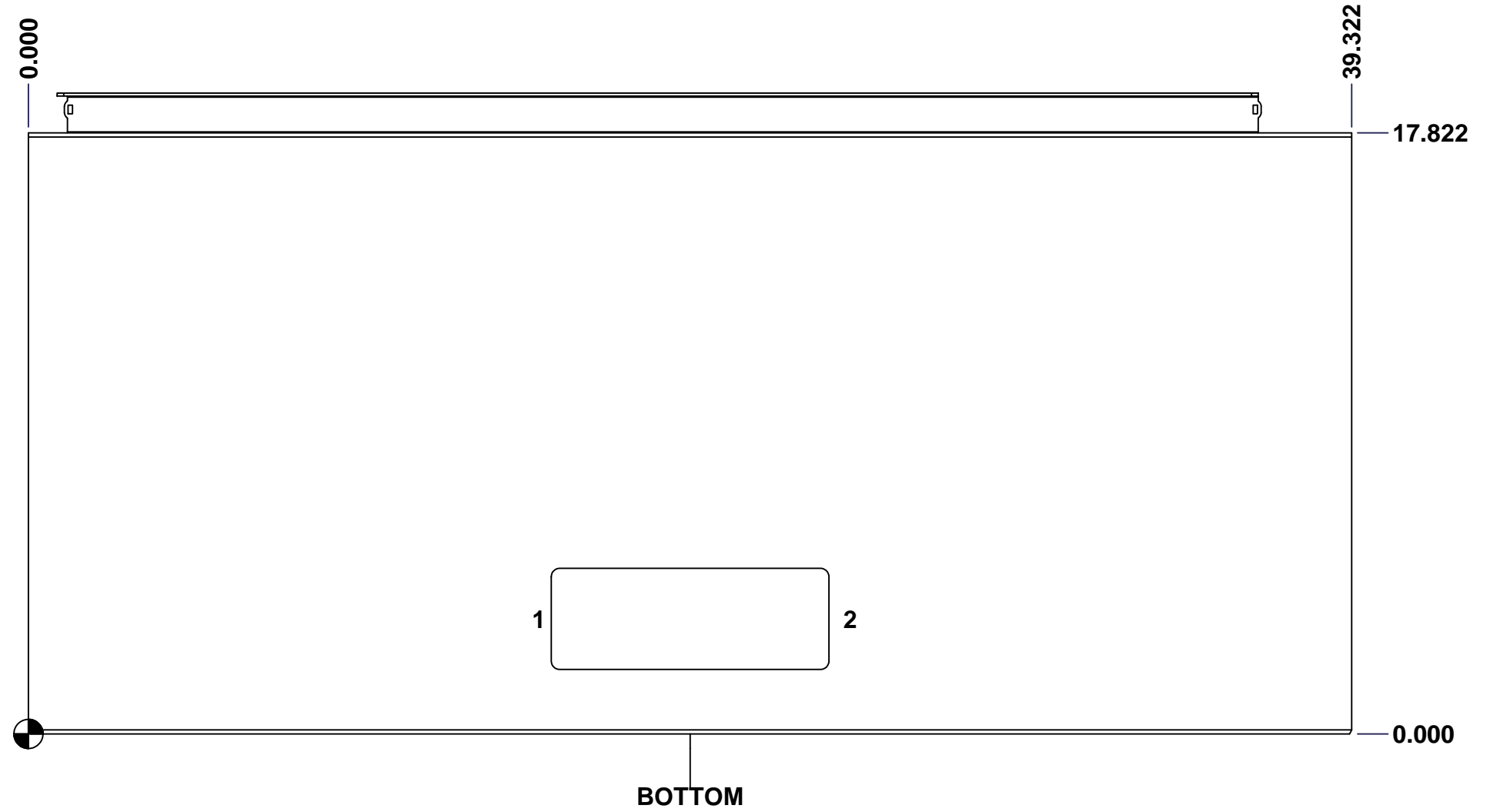


	Description	Status
	9500U1D 90" x 39.5" x 18" Body	Released
	Part Number Numéro Pièce	Rev.
	9500U1D904018B	0
		2 / 7

This drawing is confidential and must not be reproduced or used without the consent of EXM

Ce dessin est confidentiel et ne doit pas être reproduit ou utilisé sans le consentement de EXM

STANDARD FEATURES ARE NOT LISTED IN THIS HOLE TABLE			
HOLE TABLE - BOTTOM VIEW (CUSTOM FEATURE ONLY)			
CUT-OUT	XDIM	YDIM	DESCRIPTION
1	15.036	3.411	GP STUD M6 x 16mm (Inside)
2	24.286	3.411	GP STUD M6 x 16mm (Inside)

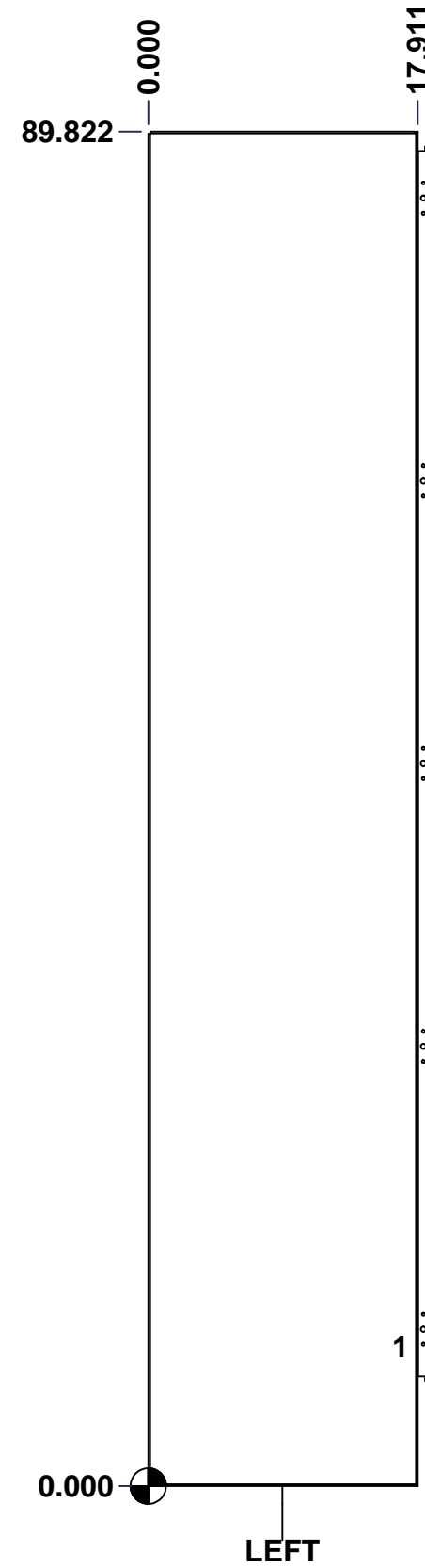


	Description		Status	
	9500U1D 90" x 39.5" x 18" Body		Released	
Part Number Numéro Pièce		Rev.	4 / 7	
9500U1D904018B		0		

This drawing is confidential and must not be reproduced or used without the consent of EXM

Ce dessin est confidentiel et ne doit pas être reproduit ou utilisé sans le consentement de EXM

STANDARD FEATURES ARE NOT LISTED IN THIS HOLE TABLE			
HOLE TABLE - LEFT VIEW (CUSTOM FEATURE ONLY)			
CUT-OUT	XDIM	YDIM	DESCRIPTION
1	16.411	9.286	GND STUD M6 x 16mm (Inside)



	Description	Status	
	9500U1D 90" x 39.5" x 18" Body	Released	
	Part Number Numéro Pièce	Rev.	
	9500U1D904018B	0	5 / 7

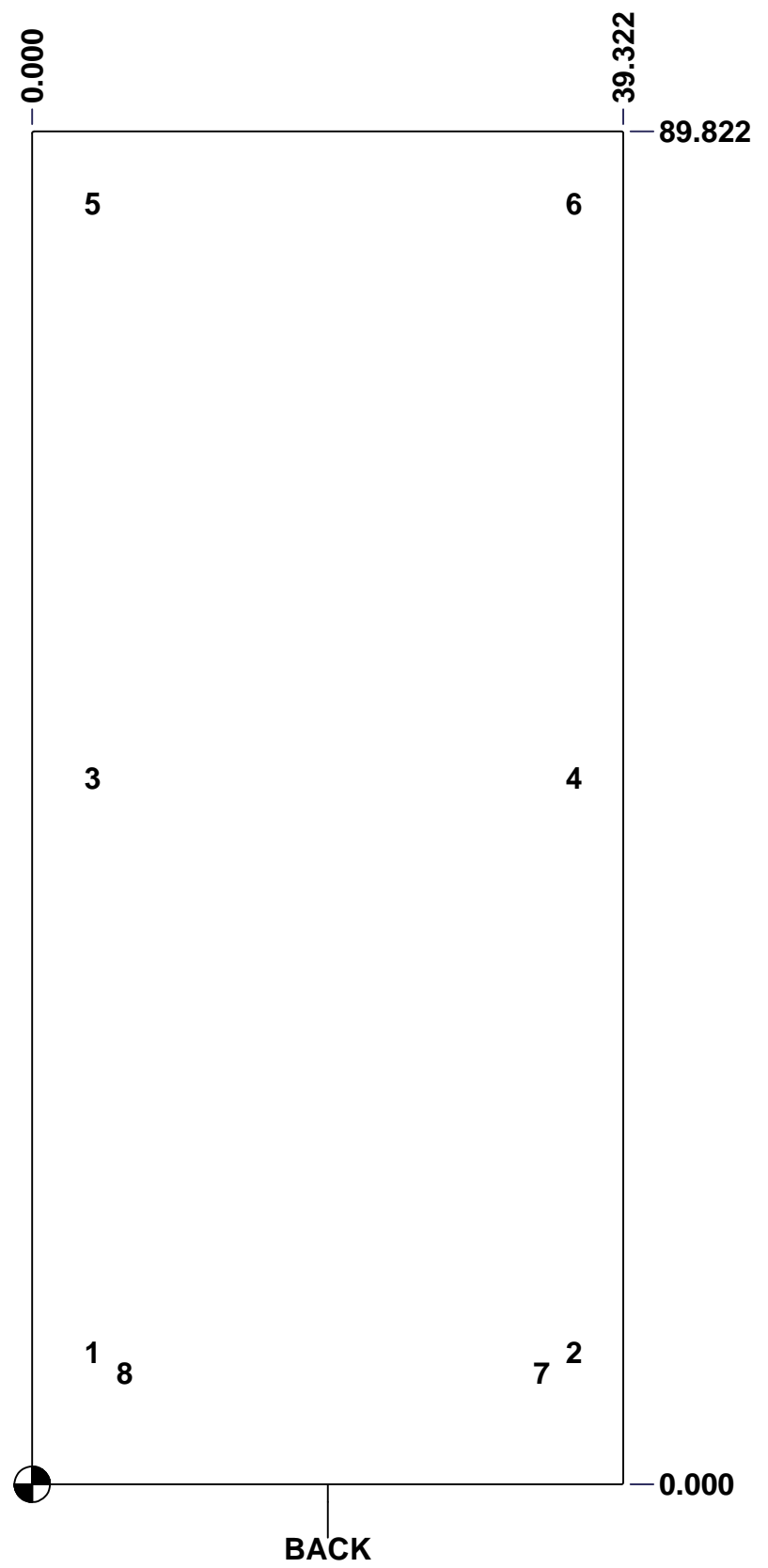
This drawing is confidential and must not be reproduced or used without the consent of EXM

Ce dessin est confidentiel et ne doit pas être reproduit ou utilisé sans le consentement de EXM

STANDARD FEATURES ARE NOT LISTED IN THIS HOLE TABLE

HOLE TABLE - BACK VIEW (CUSTOM FEATURE ONLY)

CUT-OUT	XDIM	YDIM	DESCRIPTION
1	3.661	8.786	IP STUD M10 x 40mm (Inside)
2	35.661	8.786	IP STUD M10 x 40mm (Inside)
3	3.661	46.911	IP STUD M10 x 40mm (Inside)
4	35.661	46.911	IP STUD M10 x 40mm (Inside)
5	3.661	85.036	IP STUD M10 x 40mm (Inside)
6	35.661	85.036	IP STUD M10 x 40mm (Inside)
-----	-----	-----	-----
7	33.536	7.411	IP SUPPORT ANGLE (Inside)
8	5.786	7.411	IP SUPPORT ANGLE (Inside)

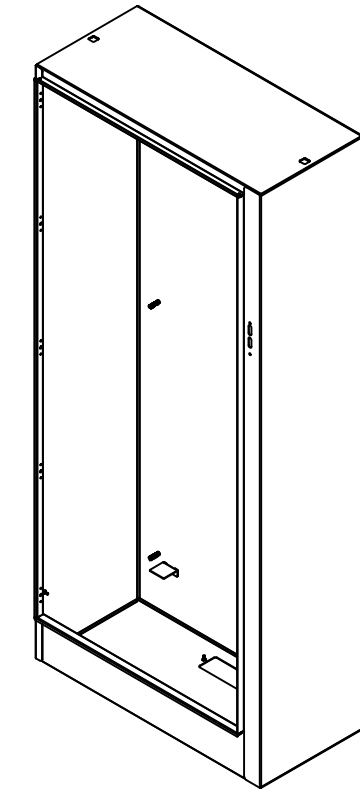


	Description		Status
	9500U1D 90" x 39.5" x 18" Body		Released
	Part Number Numéro Pièce		Rev.
	9500U1D904018B		0
			6 / 7

This drawing is confidential and must not be reproduced or used without the consent of EXM

Ce dessin est confidentiel et ne doit pas être reproduit ou utilisé sans le consentement de EXM


No.	Revisions	Date	By/Par



Isometric View



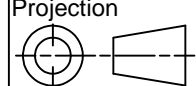
Qty	Part Number	Rev	Description
3	STK-Q-16030	0	Stud M6 x 10mm
2	9500U1D904018BPA-P	0	9500U1D Inner Panel Support Angle
3	STK-Q-07220	1	M6 Nylon Insert Lock Nut
1	CR400MS_33.5	0	Commercial Roll Mild Steel (33.5in long)
1	STK-P-02400S	0	Powder Paint (Asa-61 Grey / Smooth)
6	STK-Q-16100	0	Stud M10 x 40mm
1	9500U1D904018BT-P	0	9500U1D 39.5" x 18" Bottom Part
1	9500U1D904018T-P	0	9500U1D 39.5" x 18" Top Part
1	9500U1D904018RS-P	0	9500U1D 90" x 39.5" Right Part
1	9500U1D904018LS-P	0	9500U1D 90" x 39.5" Left Part
1	9500U1D904018B-P	0	9500U1D 90" x 39.5" Back Part
3	STK-Q-16080	0	Ground Stud M6 x 16mm
Parts List			



Tél: (450) 979-4373
 Fax: (450) 979-4626
www.exmweb.com

Flatness
Aplatissement
Max 3.0mm

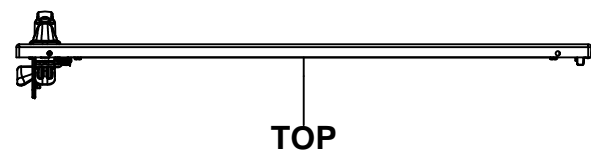
Projection



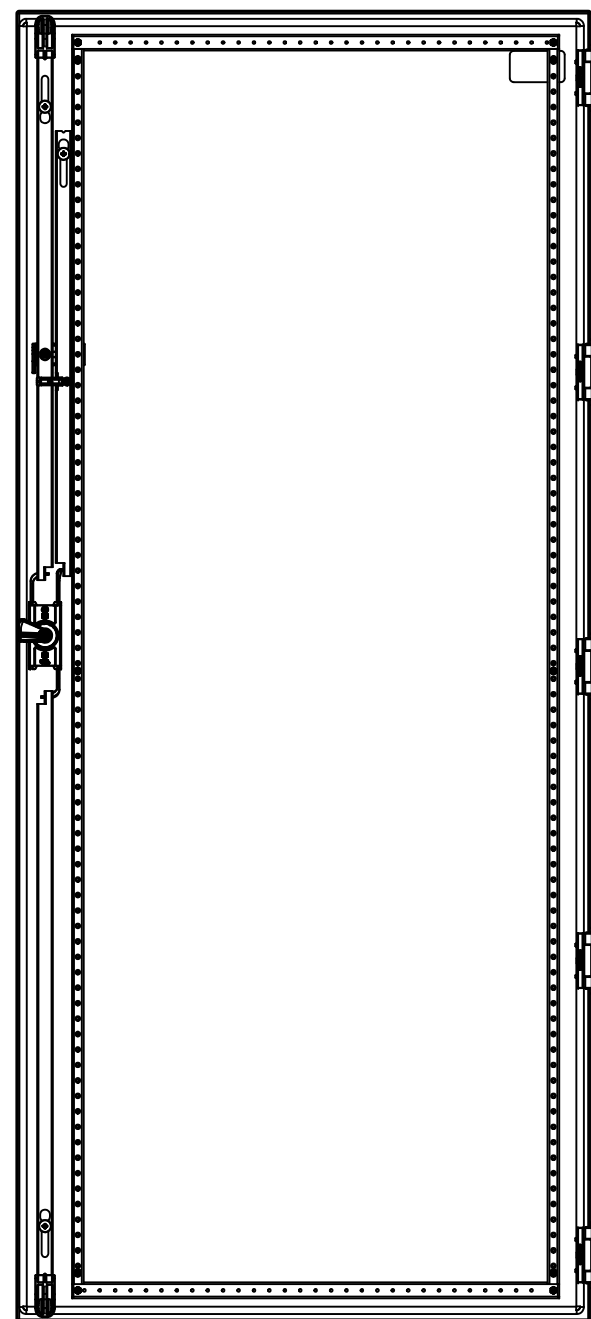
Customer Client		Date
Drawn By Dessiné Par	BoxCad: BoxCad	Date 09-Apr-22
Material Matière 12 Ga Cold Rolled A1008 CS Type B (2.5mm)		
Color Couleur	Asa-61 Grey	Finish Fini Smooth
Description 9500U1D 90" x 39.5" x 18" Body		Detail Rev.
Part Number Numéro Pièce 9500U1D904018B		Rev. 2 0

This drawing is confidential and must not be reproduced or used without the consent of EXM

Ce dessin est confidentiel et ne doit pas être reproduit ou utilisé sans le consentement de EXM



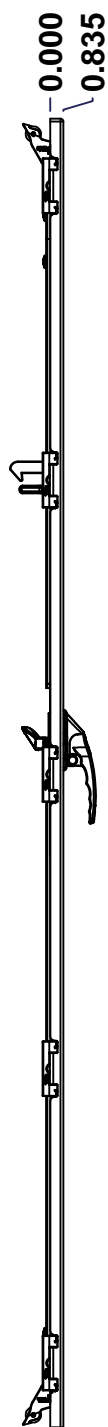
TOP



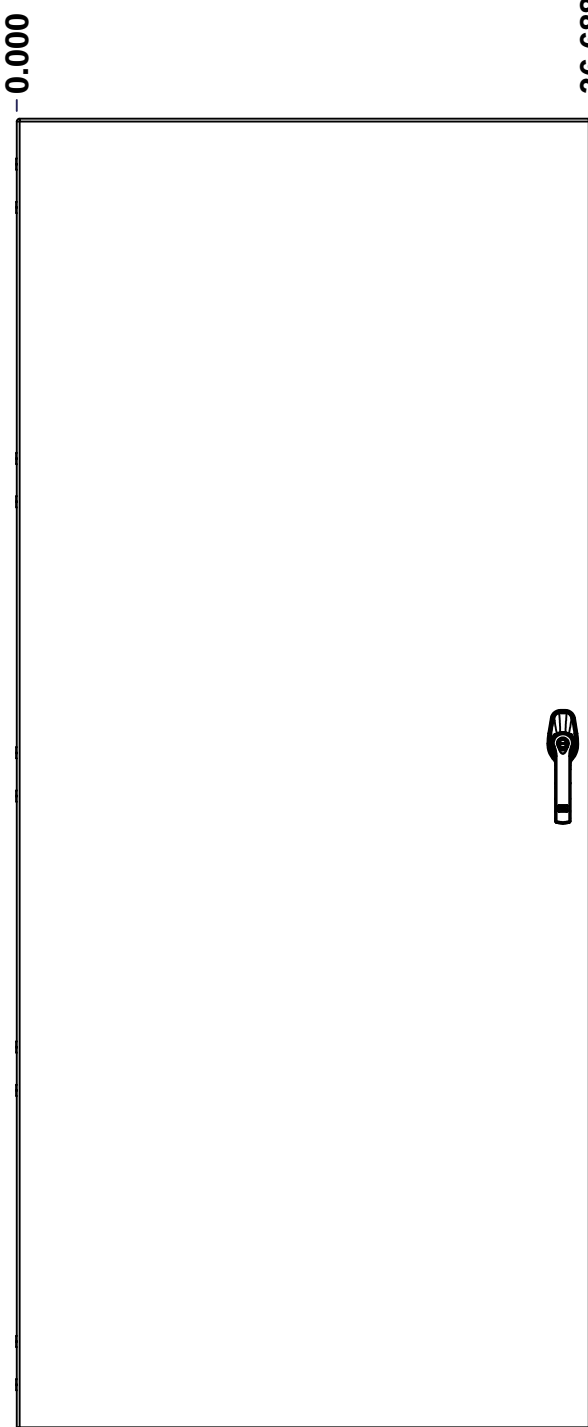
BACK



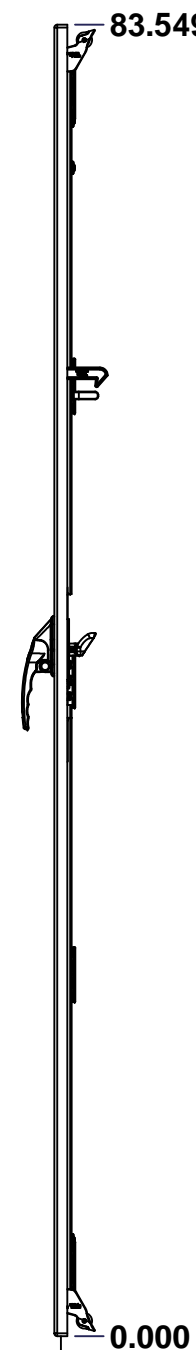
BOTTOM



LEFT

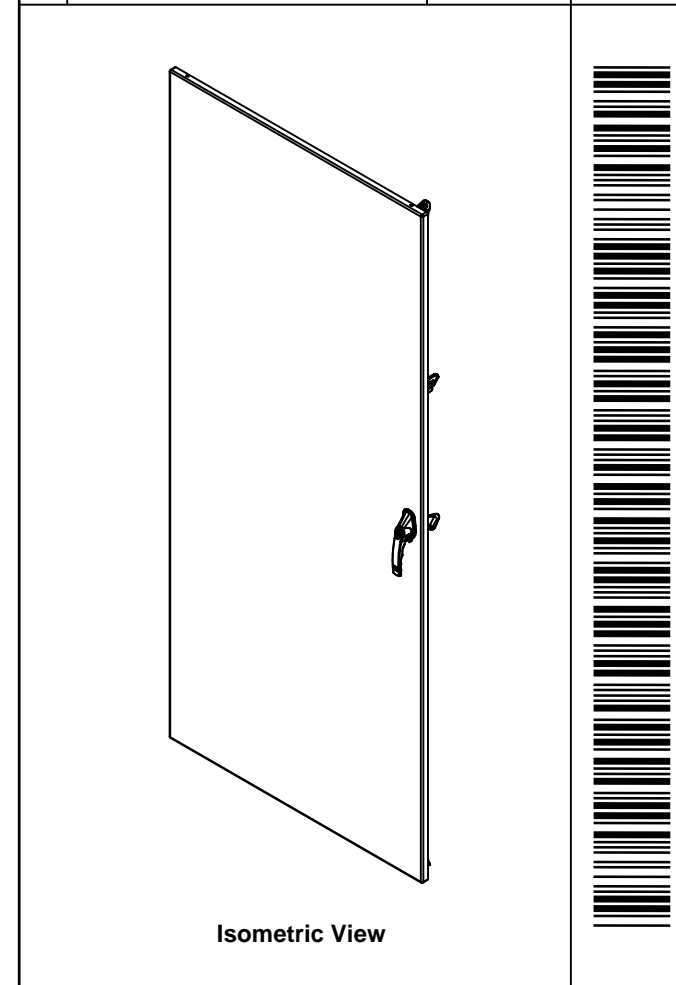



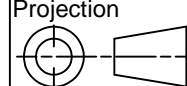
FRONT



RIGHT

No.	Revisions	Date	By/Par



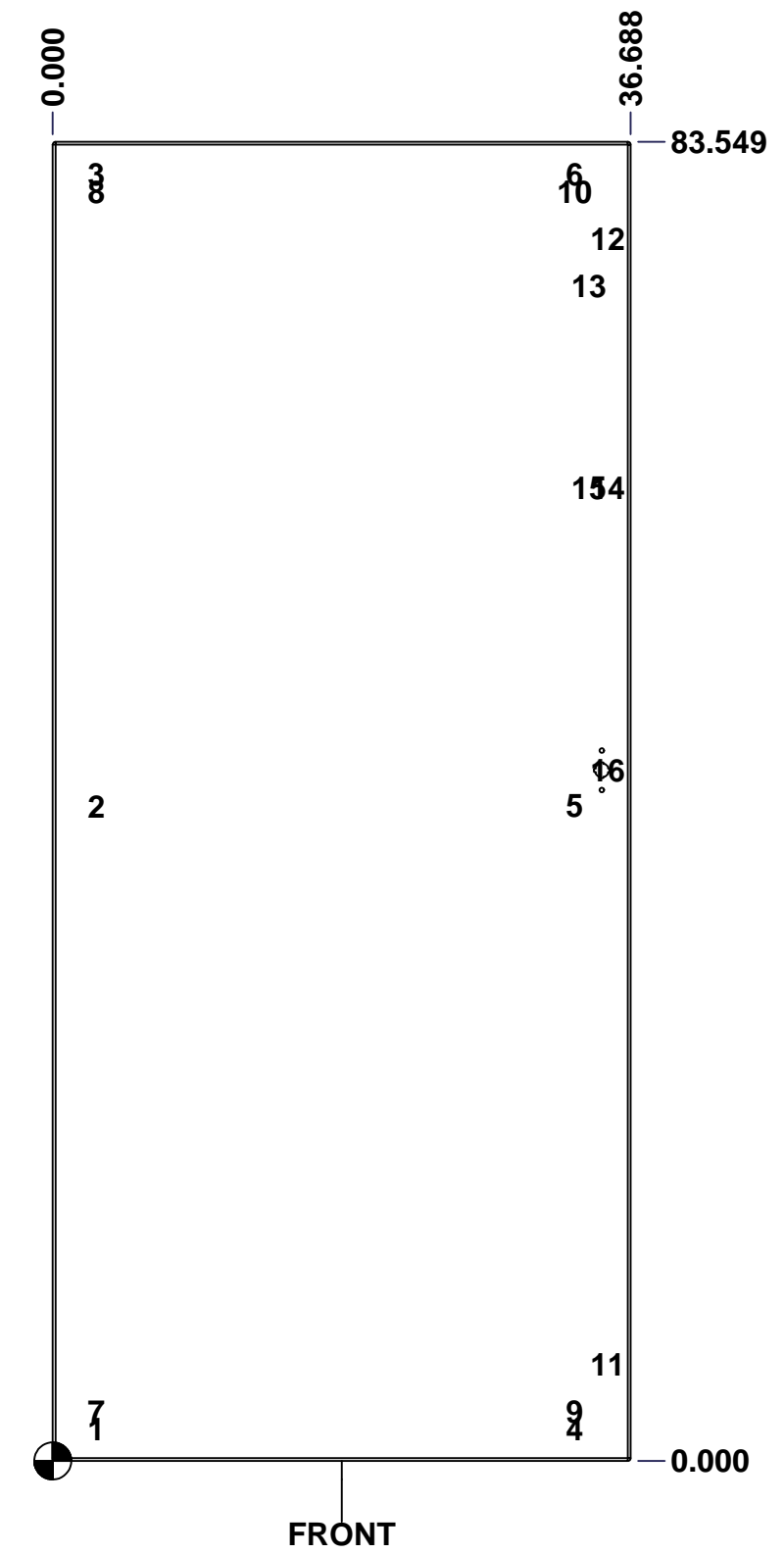
 Tél: (450) 979-4373 Fax: (450) 979-4626 www.exmweb.com		Flatness Aplatissement	
		Max 3.0mm	
Customer Client		Projection	
Date			
Drawn By Dessiné Par	BoxCad: BoxCad	Date	09-Apr-22
Material Matière	12 Ga Cold Rolled A1008 CS Type B (2.5mm)		
Color Couleur	Asa-61 Grey	Finish Fini	Smooth
Description		Detail Rev.	
9500U1D 90" x 39.5" Back Cover			
Part Number Numéro Pièce	Rev.	1	3
9500U1D904018C		0	

SEE BILL OF MATERIAL ON LAST PAGE

This drawing is confidential and must not be reproduced or used without the consent of EXM

Ce dessin est confidentiel et ne doit pas être reproduit ou utilisé sans le consentement de EXM

STANDARD FEATURES ARE NOT LISTED IN THIS HOLE TABLE			
HOLE TABLE - FRONT VIEW (CUSTOM FEATURE ONLY)			
CUT-OUT	XDIM	YDIM	DESCRIPTION
1	2.406	2.028	STUD M6 x 18mm (Inside)
2	2.406	41.486	STUD M6 x 18mm (Inside)
3	2.406	81.521	STUD M6 x 18mm (Inside)
4	32.762	2.028	STUD M6 x 18mm (Inside)
5	32.762	41.486	STUD M6 x 18mm (Inside)
6	32.762	81.521	STUD M6 x 18mm (Inside)
7	2.406	3.139	STUD M6 x 18mm (Inside)
8	2.406	80.409	STUD M6 x 18mm (Inside)
9	32.762	3.139	STUD M6 x 18mm (Inside)
10	32.762	80.409	STUD M6 x 18mm (Inside)
11	34.859	6.118	STUD M6 x 18mm (Inside)
12	34.859	77.430	STUD M6 x 18mm (Inside)
13	33.672	74.430	STUD M6 x 18mm (Inside)
14	34.859	61.649	STUD M6 x 18mm (Inside)
15	33.672	61.649	STUD M6 x 18mm (Inside)
-----	-----	-----	-----
16	34.859	43.743	HANDLE 885 ESL2A-APHD @ 0.0°

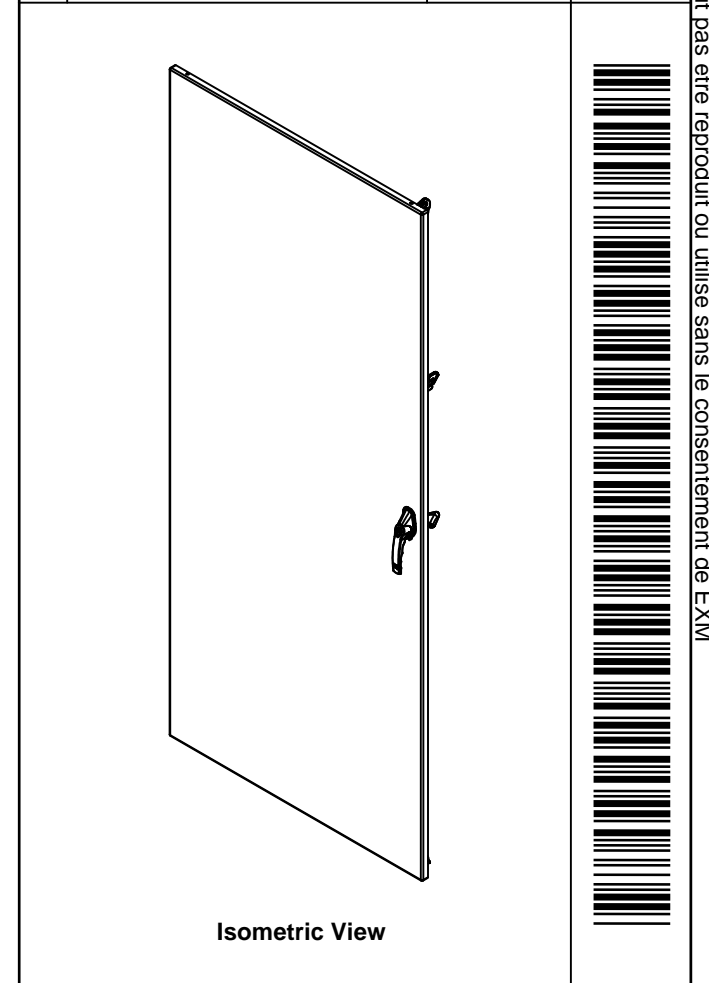


	Description	Status
	9500U1D 90" x 39.5" Cover	(NULL)
	Part Number Numéro Pièce	Rev.
	9500U1D904018C	0
		2
		3


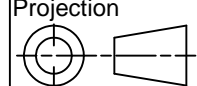
This drawing is confidential and must not be reproduced or used without the consent of EXM

Ce dessin est confidentiel et ne doit pas être reproduit ou utilisé sans le consentement de EXM

No.	Revisions	Date	By/Par

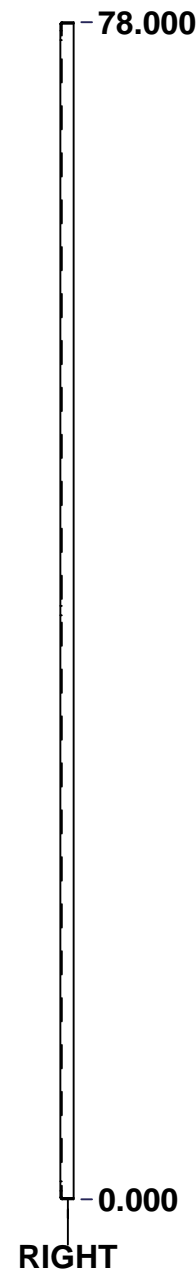
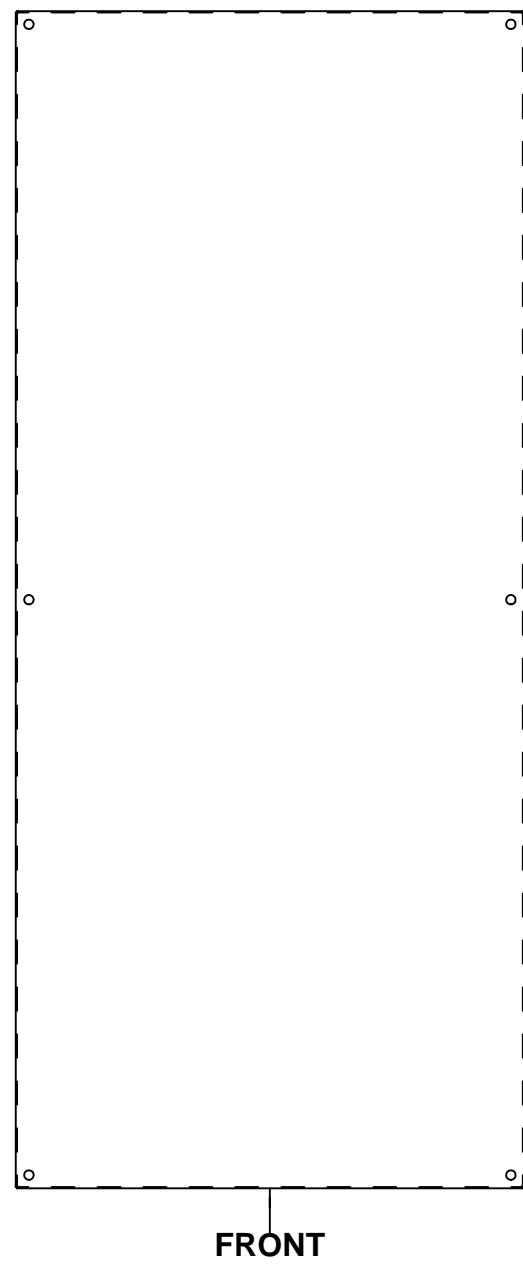
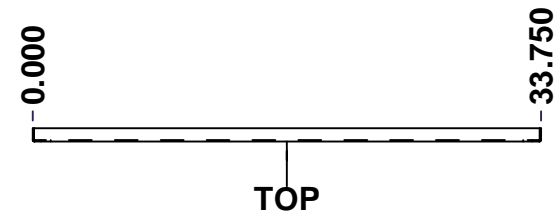


1	9500U1D904018DB_ESY	0	9500U1D 90" Disconnect Defeater Bar
1	9500U1D904018CB	0	9500U1D 90" Closing Bar
1	9500U1D904018CB_ESY	0	9500U1D 90" Disconnect Closing Bar
1	STK-K-03895-36	3	Gearbox Clockwise Assembly (Grip 36mm)
1	885ESL2A-APHD	0	885 ESL2A-APHD - Zinc Die Cast L-Handle Padlockable Assy - Slot Cylinder
1	STK-P-02400S	0	Powder Paint (Asa-61 Grey / Smooth)
1	STK-Q-07220	1	M6 Nylon Insert Lock Nut
1	STK-Q-13060	1	M6 Flat Washer
1	STK-Q-46600	3	5500 ESY Disconnect Door Hook
1	STK-S-00100	0	3.5" x 2" Silver Milar Flexcon Sticker
1	9500U1D904018G	0	9500U1D 90" x 39.5" Cover Gasket
1	9500U1D904018DS1	0	9500U1D 90" x 39.5" Door Stiffener
15	STK-Q-16055	1	M6 x 18mm Stud (No Paint Cap Required)
1	9500U1D904018C-P	0	9500U1D 90" x 39.5" Cover Part
5	STK-K-09860	7	Cabinet Hinge with Captive Pins
Qty	Part Name	Rev	Description
Parts List			

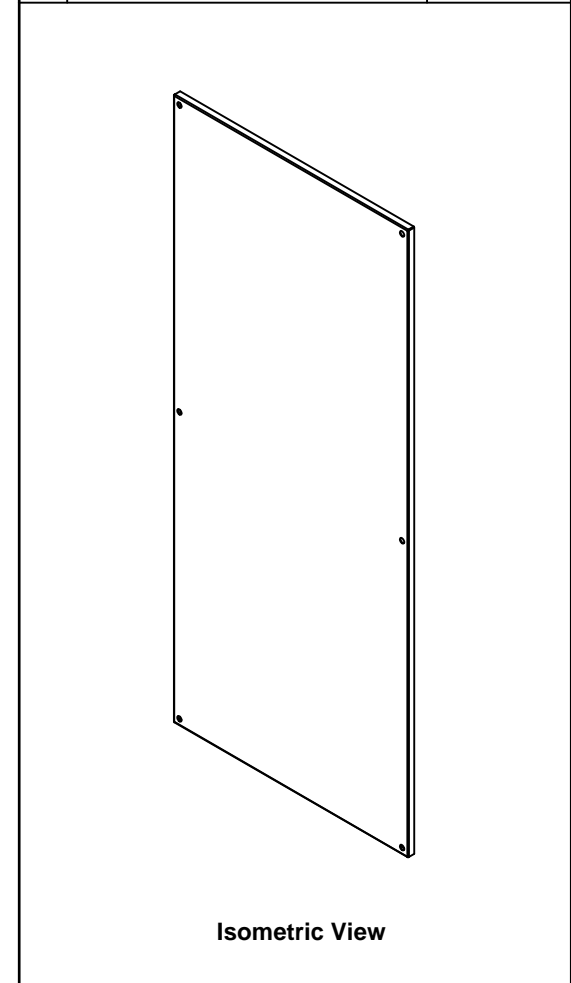
 Tél: (450) 979-4373 Fax: (450) 979-4626 www.exmweb.com		Flatness Aplatissement
		Max 3.0mm
Customer Client Drawn By / Dessiné Par: BoxCad: BoxCad Material / Matière: 12 Ga Cold Rolled A1008 CS Type B (2.5mm)		Projection
		
Date		Date
Date		09-Apr-22
Color / Couleur: Asa-61 Grey		Finish / Fini: Smooth
Description: 9500U1D 90" x 39.5" Back Cover		Detail Rev.
Part Number / Numéro Pièce: 9500U1D904018C		Rev. 3
		0 / 3


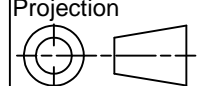
This drawing is confidential and must not be reproduced or used without the consent of EXM

Ce dessin est confidentiel et ne doit pas être reproduit ou utilisé sans le consentement de EXM



No.	Revisions	Date	By/Par



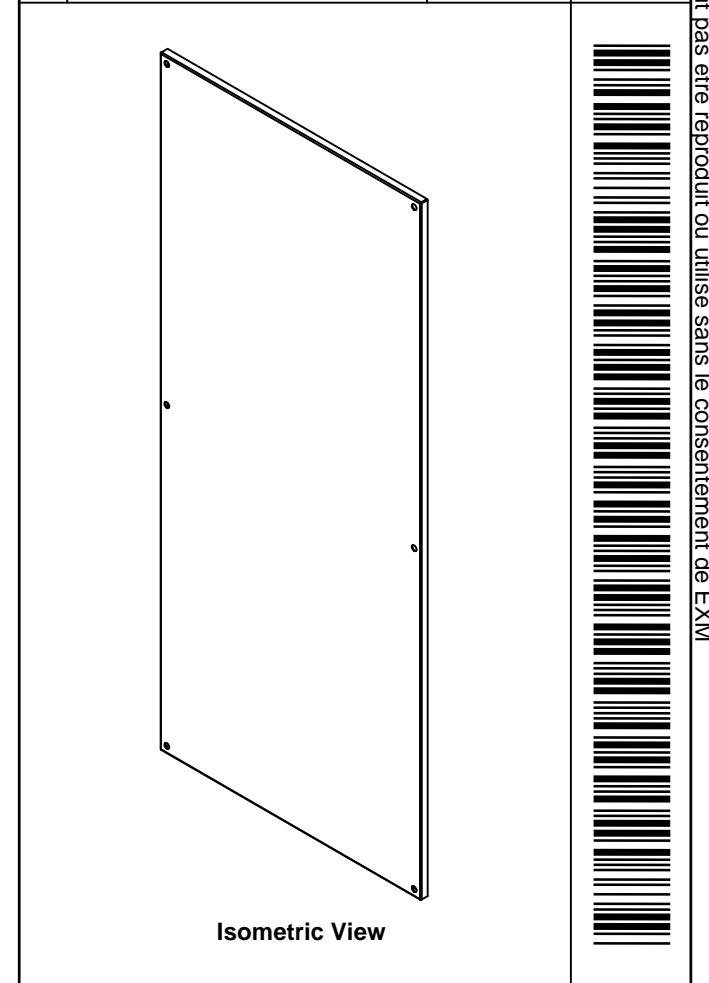
 Tél: (450) 979-4373 Fax: (450) 979-4626 www.exmweb.com		Flatness Aplatissement Max 3.0mm Projection 
Customer Client	Date	Date
Drawn By Dessiné Par	BoxCad: BoxCad	Date 09-Apr-22
Material Matière 12 Ga Galvanized (2.5mm)		
Color Couleur	Unpainted	Finish Fini Unpainted
Description 9500U1D 90" x 39.5" Inner Panel		Detail Rev.
Part Number Numéro Pièce 9500U1D904018IP		Rev. 1 0 3


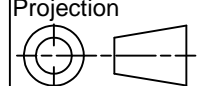
SEE BILL OF MATERIAL ON LAST PAGE

This drawing is confidential and must not be reproduced or used without the consent of EXM

Ce dessin est confidentiel et ne doit pas être reproduit ou utilisé sans le consentement de EXM

No.	Revisions	Date	By/Par



 Tél: (450) 979-4373 Fax: (450) 979-4626 www.exmweb.com		Flatness Aplatissement Max 3.0mm Projection 
Customer Client	Date	
Drawn By Dessiné Par	BoxCad: BoxCad	Date 09-Apr-22
Material Matière	12 Ga Galvanized (2.5mm)	
Color Couleur	Unpainted	Finish Fini Unpainted
Description 9500U1D 90" x 39.5" Inner Panel		Detail Rev.
Part Number Numéro Pièce	9500U1D904018IP	Rev. 3 0

Qty	Part Number	Rev	Description
1	9500U1D904018IP-P	0	9500U1D 90" x 39.5" Inner Panel Part
Parts List			