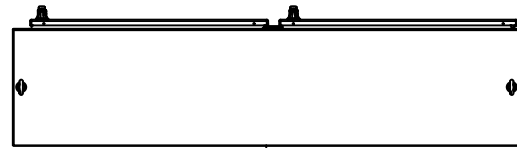
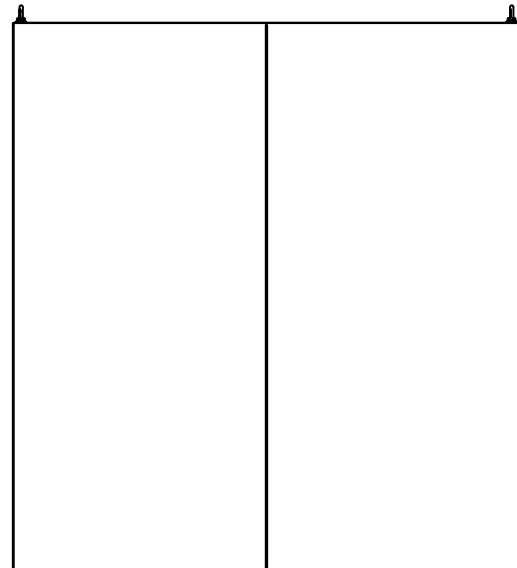


This drawing is confidential and must not be reproduced or used without the consent of EXM

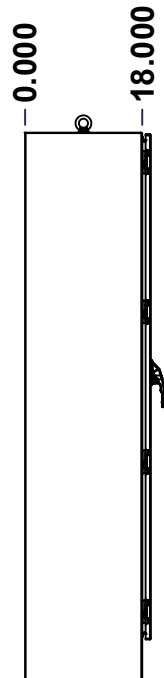
Ce dessin est confidentiel et ne doit pas être reproduit ou utilisé sans le consentement de EXM



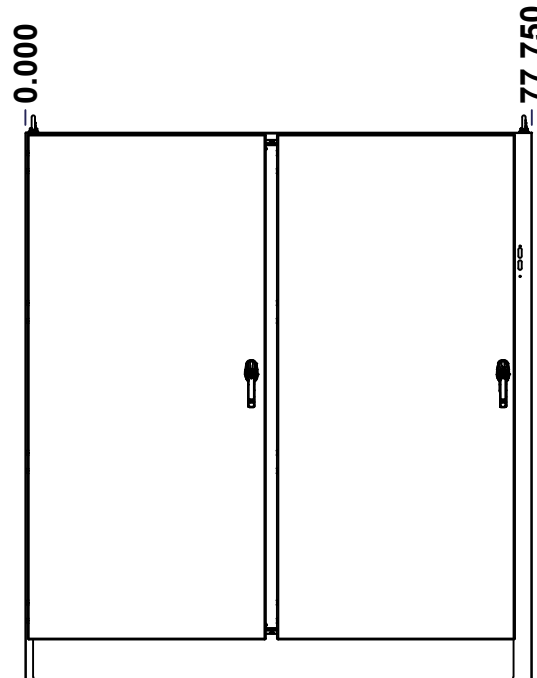
TOP



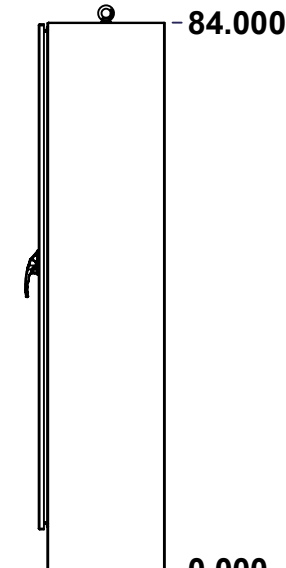
BACK



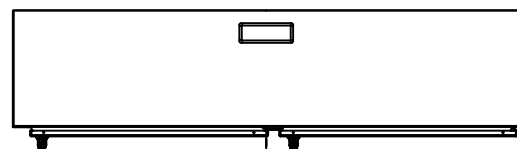
LEFT



FRONT

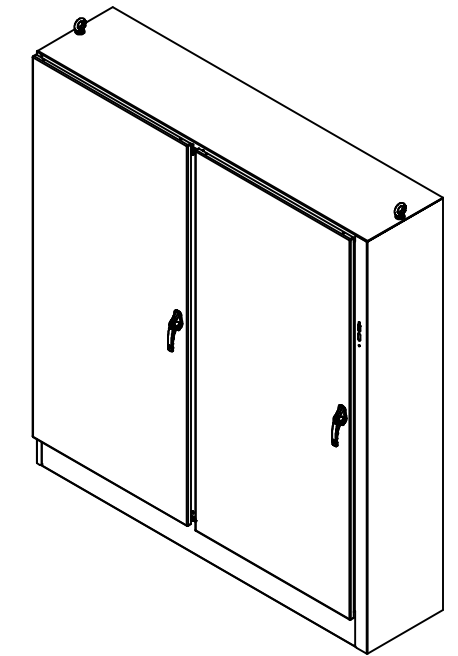


RIGHT




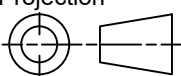
BOTTOM

No.	Revisions	Date	By/Par



Isometric View



 Tél: (450) 979-4373 Fax: (450) 979-4626 www.exmweb.com		Flatness Aplatissement Max 3.0mm Projection 
Customer Client	Date	
Drawn By Dessiné Par	BoxCad: BoxCad	Date 12-Jan-16
Material Matière	12 Ga Cold Rolled A1008 CS Type B (2.5mm)	
Color Couleur	Asa-61 Grey	Finish Fini Smooth
Description 9500U2D 84" x 77.75" x 18" Assembly		Detail Rev.
Part Number Numéro Pièce	9500U2D847818	Rev. 1 0

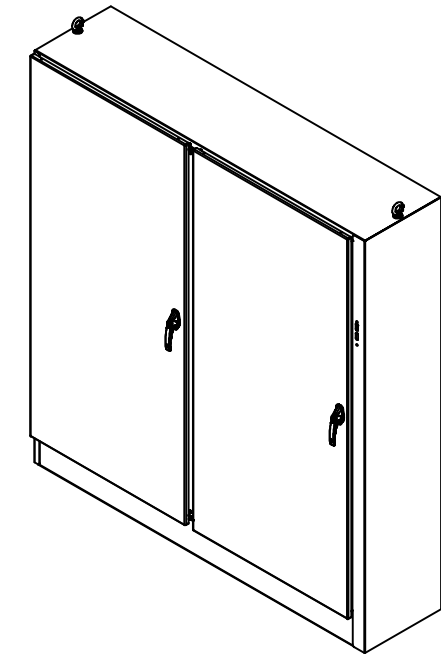
SEE BILL OF MATERIAL ON LAST PAGE

This drawing is confidential and must not be reproduced or used without the consent of EXM

Ce dessin est confidentiel et ne doit pas être reproduit ou utilisé sans le consentement de EXM

NOTE	
ITEM	DESCRIPTION
1	NEMA 12/13 Enclosure
2	C/W Standard ground studs on box and cover
3	C/W Standard door stiffener
4	C/W Special inner panel (Sold separately)
5	C/W Standard inner panel mounting studs
6	C/W Eyebolts
7	C/W Struts installed (Included)

No.	Revisions	Date	By/Par



Isometric View

EXM
www.exm.com

Tél: (450) 979-4373
Fax: (450) 979-4626
www.exmweb.com

Flatness
Aplatissement
Max 3.0mm

Projection

PACKING		
ITEM	QTY	DESCRIPTION
Cardboard sleeve	2	Top and Bottom
Cardboard strip	2	Between back of enclosure and inner panel
Plastic bag	1	To protect cover surface and inside gasket
Cardboard corner	4	To reinforced for the plastic strap tightening
Plastic strap - Black	2	To Squeeze 2 cardboard sleeve together
Packaging label	3	White label with PN
Plastic strap- Green	2	To secure the enclosure to the wood pallet
Wood Pallet	1	2" deeper and 3" larger than enclosure size

1	880INTI	2	880 INTI - Interlock Post Kit
1	9500U2D847818GP	0	9500U2D Gland Plate
1	880EB14	2	Eye Bolt M14 (Pack of 2)
10	STK-Q-07320	0	Flange Lock Nut M10
1	9500U2D847818IP	0	9500U2D 84" x 77.75" Inner Panel
10	STK-Q-07620	0	M10 Plastic Spacer 0.875"
1	9500U2D847818FD	0	9500U2D 84" x 77.75" Lock Door
1	9500U2D847818LD	0	9500U2D 84" x 77.75" Lock Door
1	9500U2D847818B	0	9500U2D 84" x 77.75" x 18" Body
8	STK-Q-04050-10	8	M6 x 10mm Hexagon Socket Head Machine Screw with Nyseal
Qty	Part Number	Rev	Description
Parts List			

Customer Client

Drawn By
Dessiné Par BoxCad: BoxCad

Material
Matière 12 Ga Cold Rolled A1008 CS Type B (2.5mm)

Color
Couleur Asa-61 Grey

Finish
Fini Smooth

Description
9500U2D 84" x 77.75" x 18" Assembly

Part Number
Numéro Pièce **9500U2D847818**

Date 12-Jan-16

Detail Rev.
Rev. 0

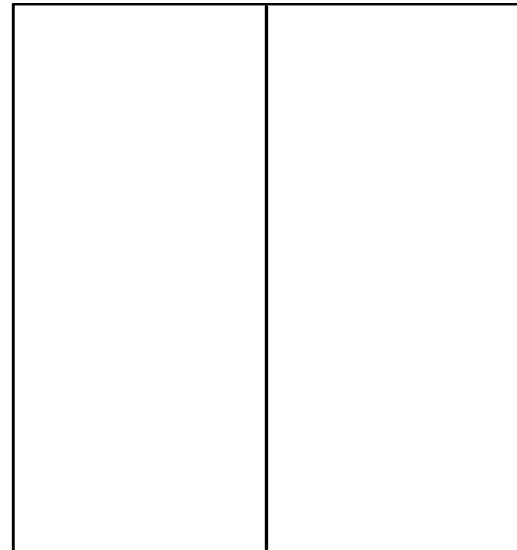
2
17

This drawing is confidential and must not be reproduced or used without the consent of EXM

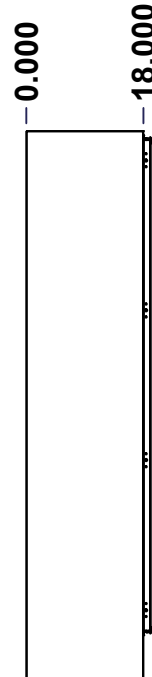
Ce dessin est confidentiel et ne doit pas être reproduit ou utilisé sans le consentement de EXM



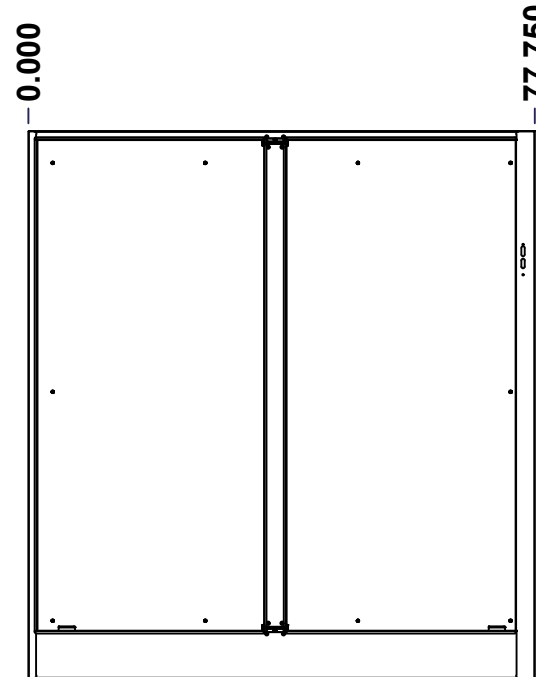
TOP



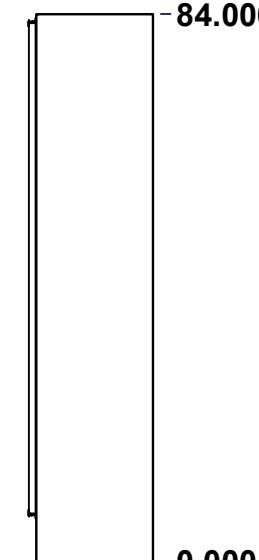
BACK



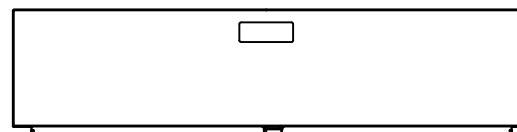
LEFT



FRONT

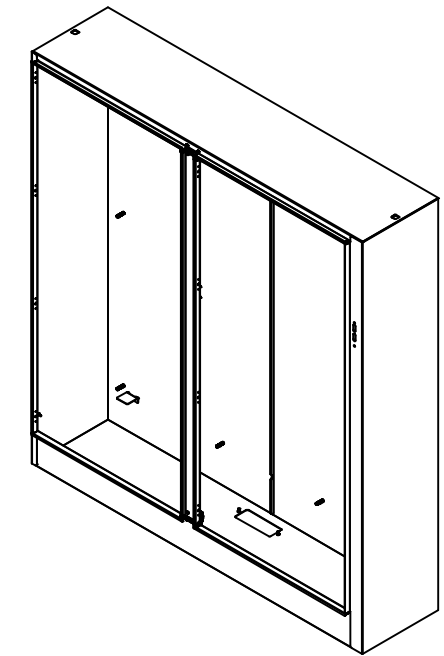


RIGHT




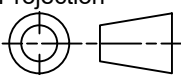
BOTTOM

No.	Revisions	Date	By/Par



Isometric View



 Tél: (450) 979-4373 Fax: (450) 979-4626 www.exmweb.com		Flatness Aplatissement Max 3.0mm Projection 
Customer Client	Date	
Drawn By Dessiné Par	BoxCad: BoxCad	Date 12-Jan-16
Material Matière	12 Ga Cold Rolled A1008 CS Type B (2.5mm)	
Color Couleur	Asa-61 Grey	Finish Fini Smooth
Description	Detail Rev.	
9500U2D 84" x 77.75" x 18" Body		
Part Number Numéro Pièce	Rev. 0	3 / 17

SEE BILL OF MATERIAL ON LAST PAGE

9500U2D847818B

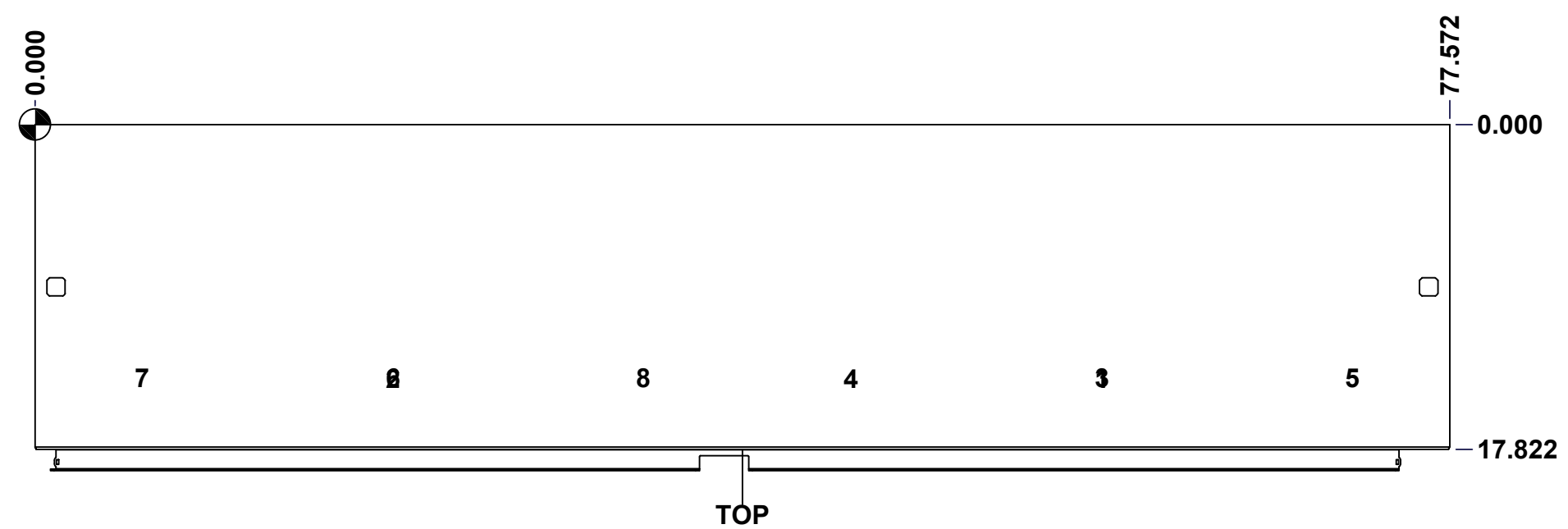
This drawing is confidential and must not be reproduced or used without the consent of EXM

Ce dessin est confidentiel et ne doit pas être reproduit ou utilisé sans le consentement de EXM

STANDARD FEATURES ARE NOT LISTED IN THIS HOLE TABLE

HOLE TABLE - TOP VIEW (CUSTOM FEATURE ONLY)

CUT-OUT	XDIM	YDIM	DESCRIPTION
1	58.224	13.911	Struts CR400 33.500" (Inside)
2	19.349	13.911	Struts CR400 33.500" (Inside)
3	58.224	13.911	STUDS M6 x 10mm (Inside)
4	44.474	13.911	STUDS M6 x 10mm (Inside)
5	71.974	13.911	STUDS M6 x 10mm (Inside)
6	19.349	13.911	STUDS M6 x 10mm (Inside)
7	5.599	13.911	STUDS M6 x 10mm (Inside)
8	33.099	13.911	STUDS M6 x 10mm (Inside)

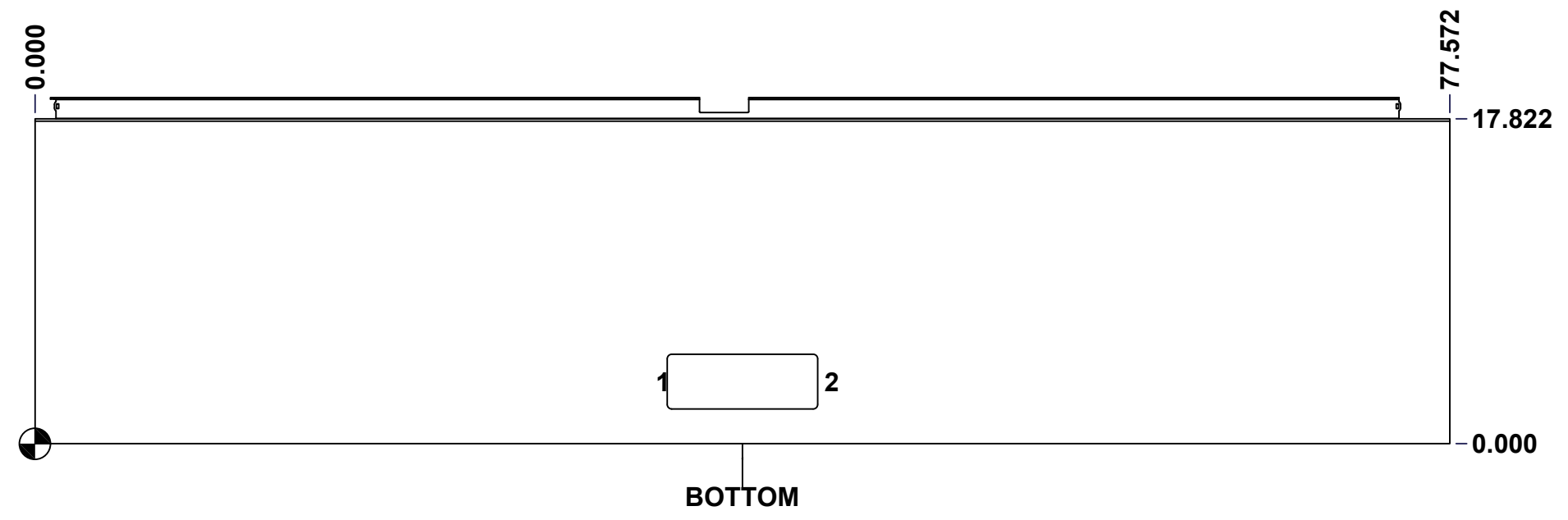


	Description	Status
	9500U2D 84" x 77.75" x 18" Body	(NULL)
	Part Number Numéro Pièce	Rev.
	9500U2D847818B	0 / 4
		17

This drawing is confidential and must not be reproduced or used without the consent of EXM

Ce dessin est confidentiel et ne doit pas être reproduit ou utilisé sans le consentement de EXM

STANDARD FEATURES ARE NOT LISTED IN THIS HOLE TABLE			
HOLE TABLE - BOTTOM VIEW (CUSTOM FEATURE ONLY)			
CUT-OUT	XDIM	YDIM	DESCRIPTION
1	34.161	3.411	GP STUD M6 x 16mm (Inside)
2	43.411	3.411	GP STUD M6 x 16mm (Inside)

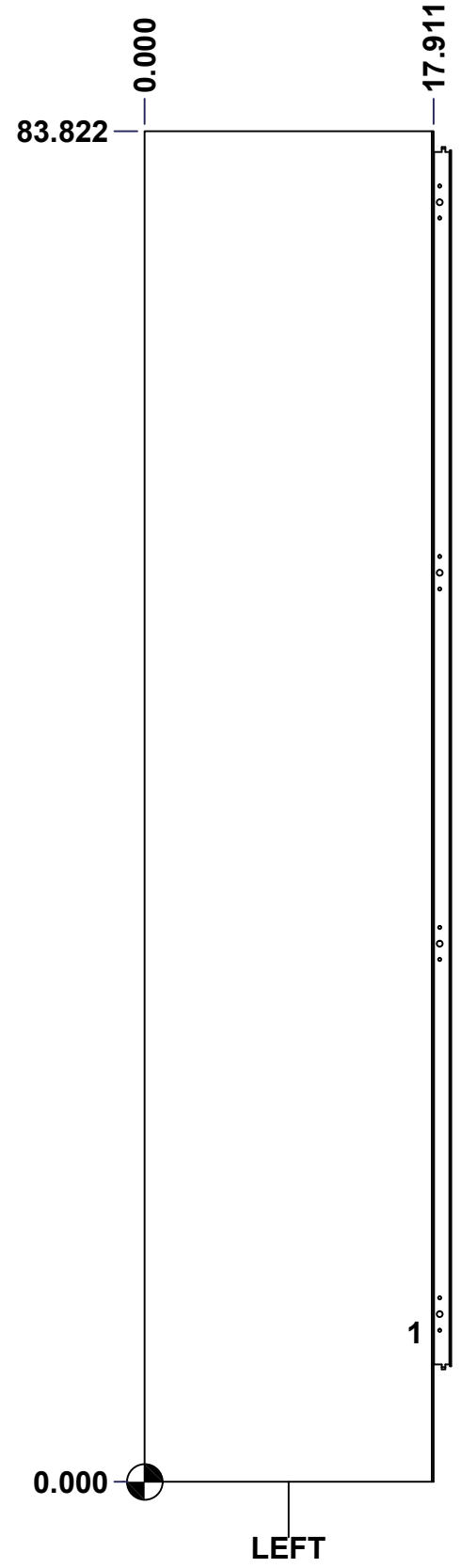


	Description	Status
	9500U2D 84" x 77.75" x 18" Body	(NULL)
	Part Number Numéro Pièce	Rev.
	9500U2D847818B	0
		5
		17

This drawing is confidential and must not be reproduced or used without the consent of EXM

Ce dessin est confidentiel et ne doit pas être reproduit ou utilisé sans le consentement de EXM

STANDARD FEATURES ARE NOT LISTED IN THIS HOLE TABLE			
HOLE TABLE - LEFT VIEW (CUSTOM FEATURE ONLY)			
CUT-OUT	XDIM	YDIM	DESCRIPTION
1	16.411	9.286	GND STUD M6 x 16mm (Inside)



	Description	Status	
	9500U2D 84" x 77.75" x 18" Body	(NULL)	
	Part Number Numéro Pièce	Rev.	6
	9500U2D847818B	0	17

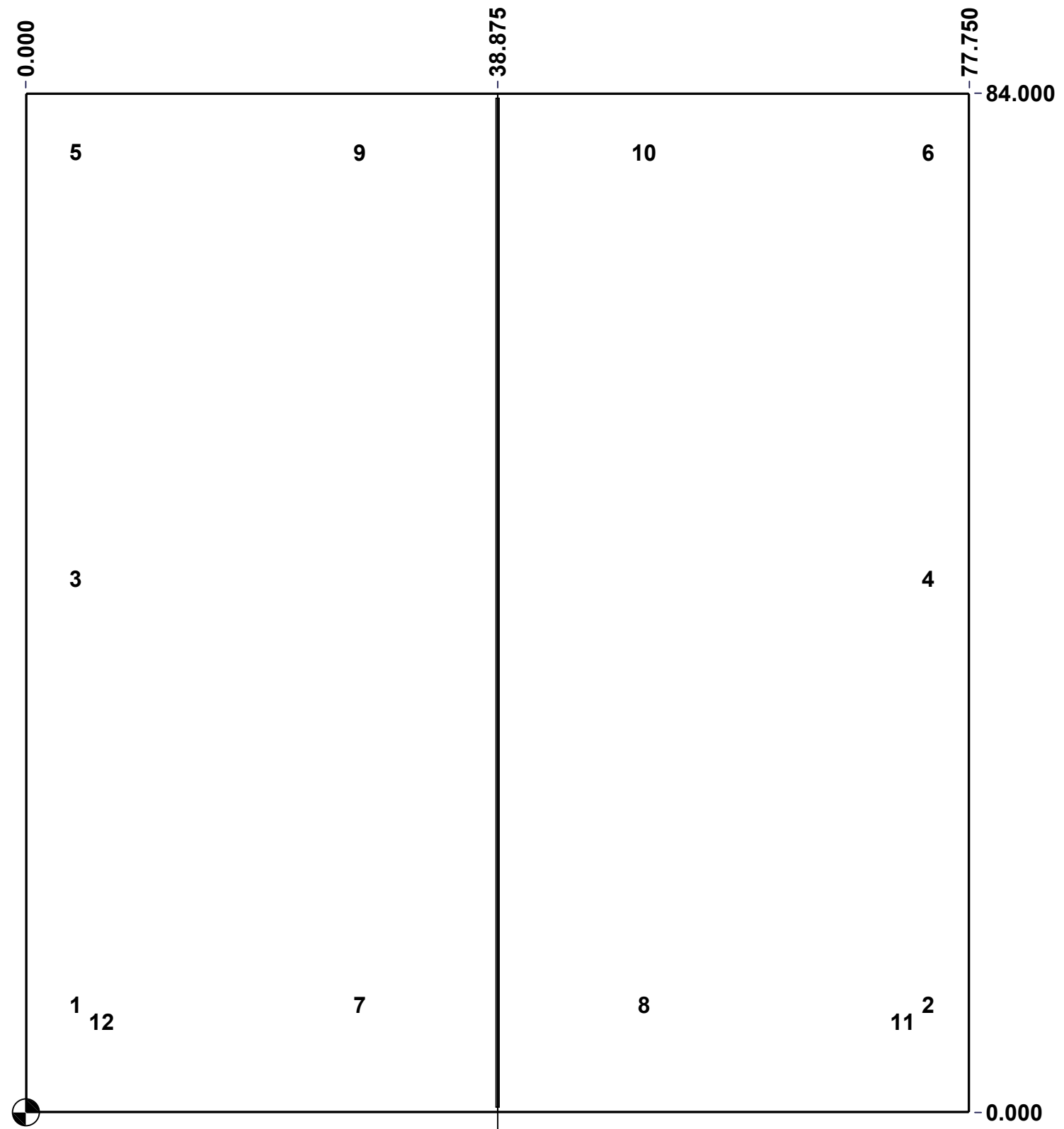
This drawing is confidential and must not be reproduced or used without the consent of EXM

Ce dessin est confidentiel et ne doit pas être reproduit ou utilisé sans le consentement de EXM

STANDARD FEATURES ARE NOT LISTED IN THIS HOLE TABLE

HOLE TABLE - BACK VIEW (CUSTOM FEATURE ONLY)

CUT-OUT	XDIM	YDIM	DESCRIPTION
1	3.750	8.875	IP STUD M10 x 40mm (Inside)
2	74.000	8.875	IP STUD M10 x 40mm (Inside)
3	3.750	44.000	IP STUD M10 x 40mm (Inside)
4	74.000	44.000	IP STUD M10 x 40mm (Inside)
5	3.750	79.125	IP STUD M10 x 40mm (Inside)
6	74.000	79.125	IP STUD M10 x 40mm (Inside)
7	27.167	8.875	IP STUD M10 x 40mm (Inside)
8	50.583	8.875	IP STUD M10 x 40mm (Inside)
9	27.167	79.125	IP STUD M10 x 40mm (Inside)
10	50.583	79.125	IP STUD M10 x 40mm (Inside)
-----	-----	-----	-----
11	71.875	7.500	IP SUPPORT ANGLE (Inside)
12	5.875	7.500	IP SUPPORT ANGLE (Inside)



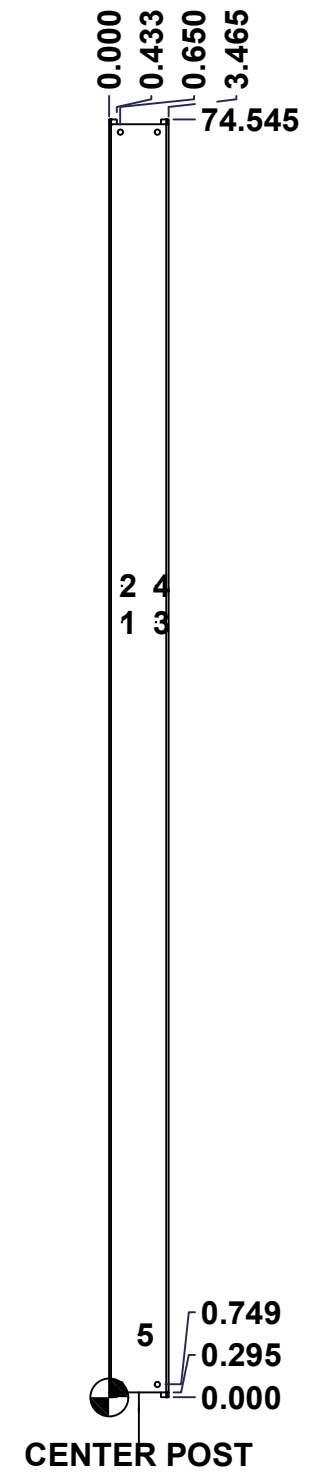
BACK

	Description	Status
	9500U2D 84" x 77.75" x 18" Body	(NULL)
	Part Number	Rev.
	Numéro Pièce	7
	9500U2D847818B	0
		17

This drawing is confidential and must not be reproduced or used without the consent of EXM

Ce dessin est confidentiel et ne doit pas être reproduit ou utilisé sans le consentement de EXM

STANDARD FEATURES ARE NOT LISTED IN THIS HOLE TABLE			
HOLE TABLE - CENTER VIEW (CUSTOM FEATURE ONLY)			
CUT-OUT	XDIM	YDIM	DESCRIPTION
1	0.748	45.220	INTERLOCK STUD M6 x 16mm (Inside)
2	0.748	47.346	INTERLOCK STUD M6 x 16mm (Inside)
3	2.717	45.220	INTERLOCK STUD M6 x 16mm (Inside)
4	2.717	47.346	INTERLOCK STUD M6 x 16mm (Inside)
5	1.732	3.648	GND STUD M6 x 16mm (Inside)

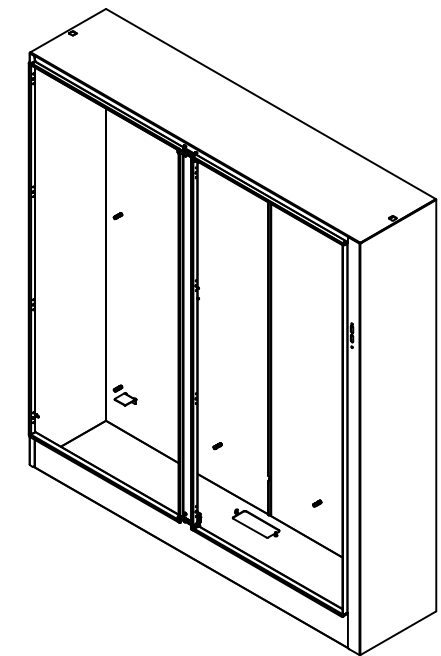


	Description	Status	
	9500U2D 84" x 77.75" x 18" Body	(NULL)	
	Part Number Numéro Pièce	Rev.	8
	9500U2D847818B	0	17

This drawing is confidential and must not be reproduced or used without the consent of EXM

Ce dessin est confidentiel et ne doit pas être reproduit ou utilisé sans le consentement de EXM

No.	Revisions	Date	By/Par



Isometric View

6	STK-Q-16030	0	Stud M6 x 10mm Steel
6	STK-Q-07220	1	M6 Nylon Insert Lock Nut
2	9500U2D847818BPA-P	0	9500U2D Inner Panel Support Angle
2	STK-Q-74900	0	Eyebolt Lifting Angle (8.750")
1	STK-P-02400S	0	Powder Paint (Asa-61 Grey / Smooth)
4	STK-Q-16055	1	M6 x 18mm Stud (No Paint Cap Required)
1	STK-A-75454	3	Center Post - Sealing Block with Latch Assembly (Large)
1	9500U2D847818CP-P	0	9500U2D 84" Center Post Part
10	STK-Q-16100	0	Stud M10 x 40mm Steel
1	9500U2D847818BT-P	0	9500U2D 77.75" x 18" Bottom Part
1	9500U2D847818T-P	0	9500U2D 77.75" x 18" Top Part
1	9500U2D847818RS-P	0	9500U2D 84" x 77.75" Right Part
1	9500U2D847818LS-P	0	9500U2D 84" x 77.75" Left Part
1	9500U2D847818BR-P	0	9500U2D 84" x 77.75" Back Right Part
1	9500U2D847818BL-P	0	9500U2D 84" x 77.75" Back Left Part
2	CR400MS_33.5	0	Commercial Roll Mild Steel (33.5in long)
4	STK-Q-16080	0	Ground Stud M6 x 16mm Steel

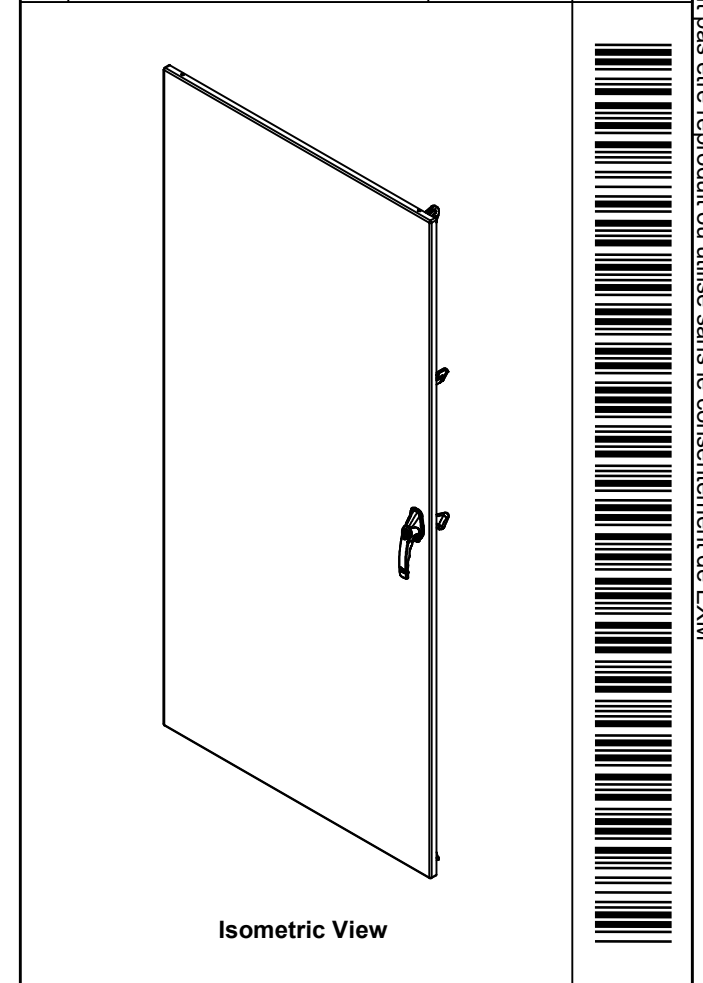
Qty	Part Number	Rev	Description
Parts List			


Tél: (450) 979-4373 Fax: (450) 979-4626 www.exmweb.com	Flatness Aplatissement	Max 3.0mm
	Projection	
Customer Client	Date	
Drawn By Dessiné Par	BoxCad: BoxCad	Date 12-Jan-16
Material Matière	12 Ga Cold Rolled A1008 CS Type B (2.5mm)	
Color Couleur	Asa-61 Grey	Finish Fini Smooth
Description	Detail Rev.	
9500U2D 84" x 77.75" x 18" Body		
Part Number Numéro Pièce	Rev.	9
9500U2D847818B	0	17

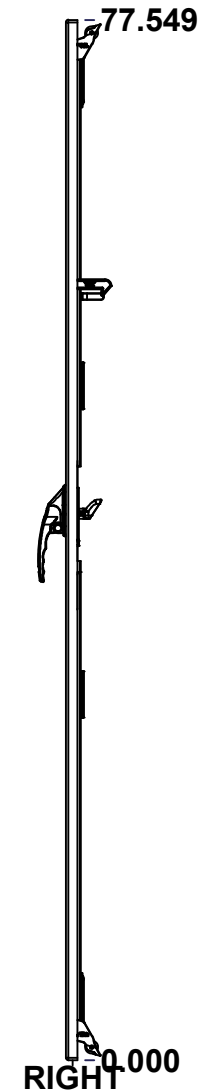
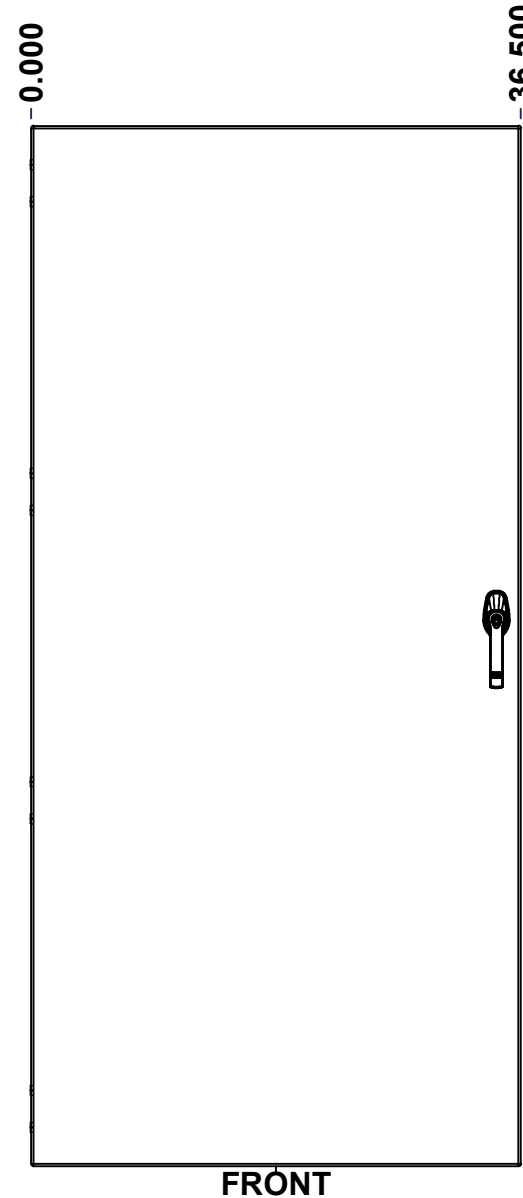
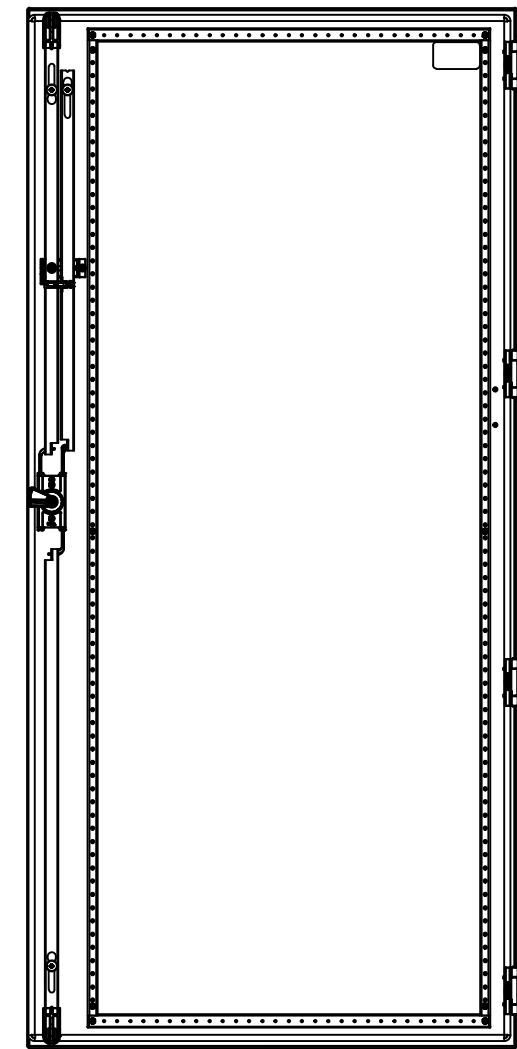
This drawing is confidential and must not be reproduced or used without the consent of EXM

Ce dessin est confidentiel et ne doit pas être reproduit ou utilisé sans le consentement de EXM

No.	Revisions	Date	By/Par



 Tél: (450) 979-4373 Fax: (450) 979-4626 www.exmweb.com		Flatness Aplatissement	
		Max 3.0mm	
Customer Client		Date	
Drawn By Dessiné Par		Date	
Material Matière		Date	
Color Couleur		Finish Fini	
Description		Detail Rev.	
Part Number Numéro Pièce		Rev.	



SEE BILL OF MATERIAL ON LAST PAGE

9500U2D847818LD

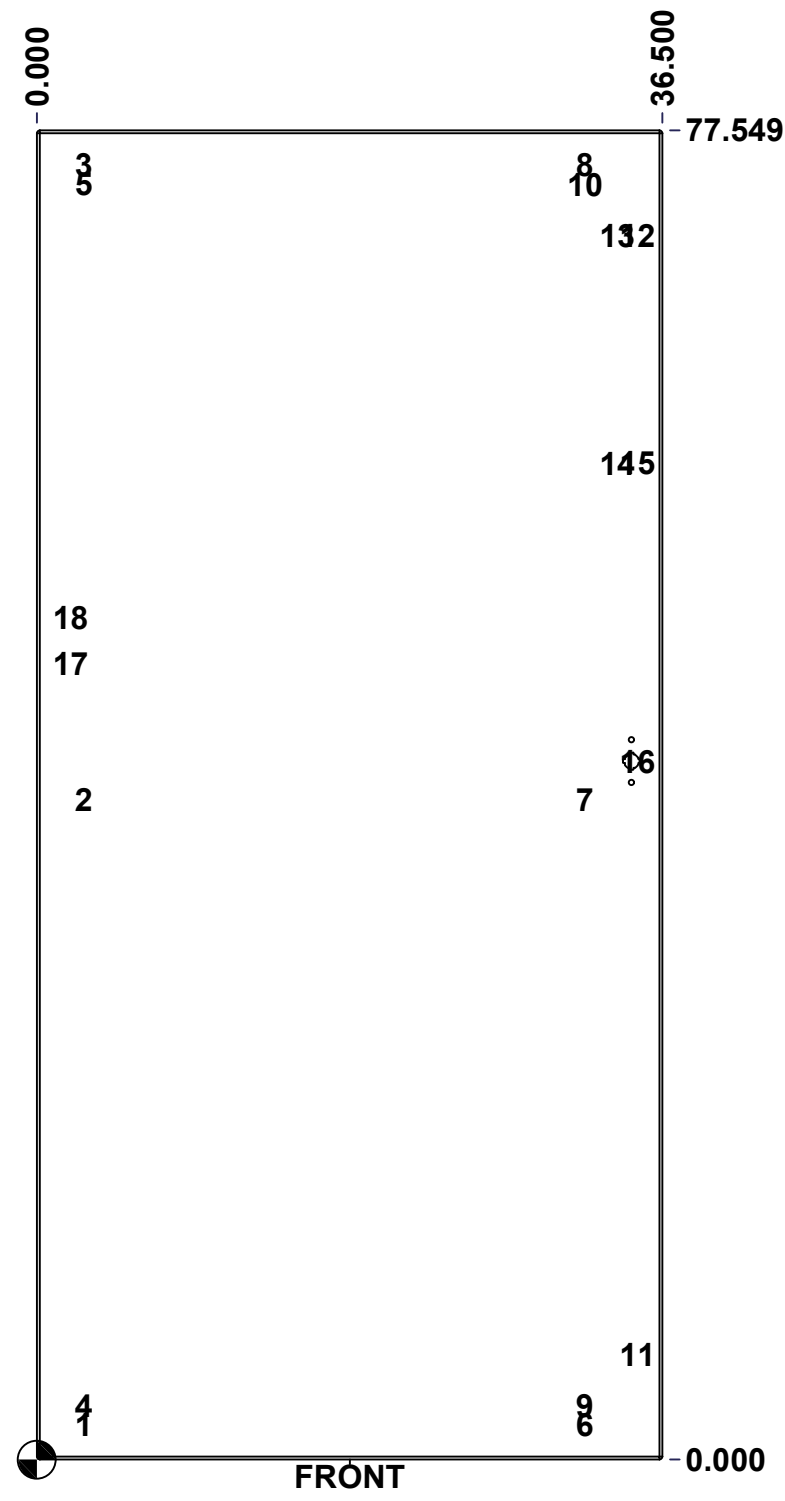
Rev.	10
0	17

This drawing is confidential and must not be reproduced or used without the consent of EXM

Ce dessin est confidentiel et ne doit pas être reproduit ou utilisé sans le consentement de EXM

STANDARD FEATURES ARE NOT LISTED IN THIS HOLE TABLE			
HOLE TABLE - FRONT VIEW (CUSTOM FEATURE ONLY)			
CUT-OUT	XDIM	YDIM	DESCRIPTION
1	2.375	2.028	STUD M6 x 18mm (Inside)
2	2.375	38.533	STUD M6 x 18mm (Inside)
3	2.375	75.521	STUD M6 x 18mm (Inside)
4	2.375	3.139	STUD M6 x 18mm (Inside)
5	2.375	74.409	STUD M6 x 18mm (Inside)
6	31.626	2.028	STUD M6 x 18mm (Inside)
7	31.626	38.533	STUD M6 x 18mm (Inside)
8	31.626	75.521	STUD M6 x 18mm (Inside)
9	31.626	3.139	STUD M6 x 18mm (Inside)
10	31.626	74.409	STUD M6 x 18mm (Inside)
11	34.688	6.118	CLOSING BAR STUD (Inside)
12	34.688	71.430	CLOSING BAR STUD (Inside)
13	33.501	71.430	STUD M6 x 18mm (Inside)
14	33.501	58.149	STUD M6 x 18mm (Inside)
15	34.688	58.149	STUD M6 x 18mm (Inside)

16	34.688	40.743	HANDLE 885 ESL2A-APHD @ 0.0°
17	1.604	46.445	STUDS M6 x 18mm (Inside)
18	1.604	49.123	STUDS M6 x 18mm (Inside)

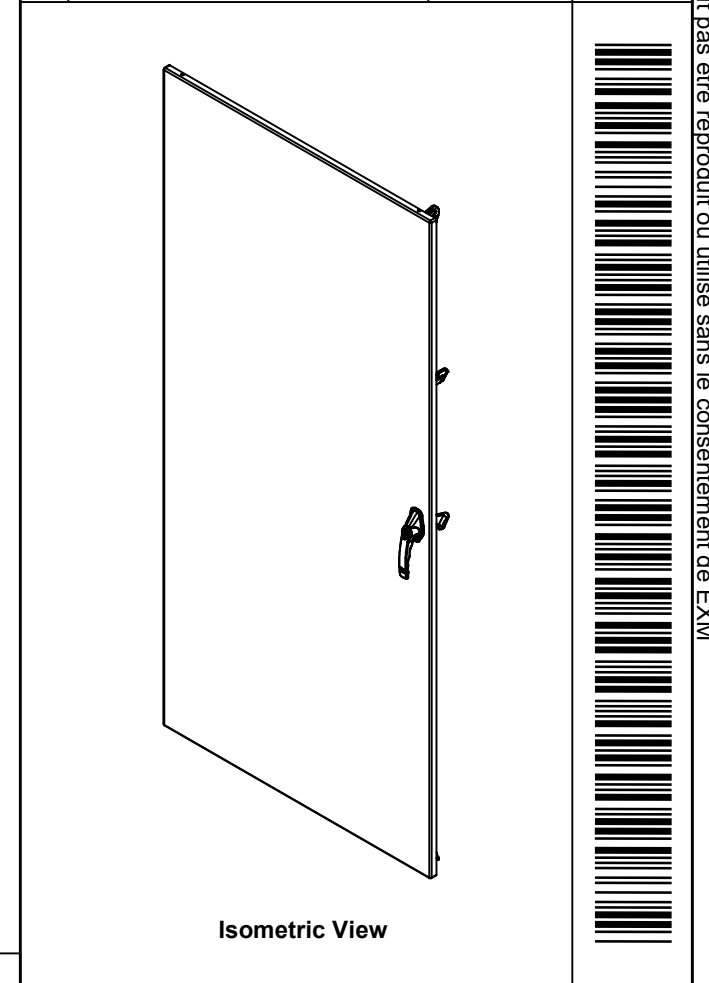


	Description	Status
	9500U2D 84" x 77.75" Lock Door	(NULL)
	Part Number Numéro Pièce	Rev.
	9500U2D847818LD	0 / 11
		17

This drawing is confidential and must not be reproduced or used without the consent of EXM

Ce dessin est confidentiel et ne doit pas être reproduit ou utilisé sans le consentement de EXM

No.	Revisions	Date	By/Par



2	STK-Q-16050	1	Stud M6 x 18mm Steel
1	9500U2D847818DB_ESY	0	9500U2D 84" Disconnect Defeater Bar
1	9500U2D847818CB	0	9500U2D 84" Closing Bar
1	9500U2D847818CB_ESY	0	9500U2D 84" Disconnect Closing Bar
1	STK-K-03895-36	3	Gearbox Clockwise Assembly (Grip 36mm)
1	885ESL2A-APHD	0	885 ESL2A-APHD - Zinc Die Cast L-Handle Padlockable Assy - Slot Cylinder
1	STK-P-02400S	0	Powder Paint (Asa-61 Grey / Smooth)
1	STK-S-00100	0	3.5" x 2" Silver Milar Flexcon Sticker
1	STK-Q-03200	0	M6 x 8mm Hexagon/Slot Screw
1	STK-Q-07220	1	M6 Nylon Insert Lock Nut
1	STK-Q-13060	1	M6 Flat Washer
1	STK-Q-46600	3	5500 ESY Disconnect Door Hook
1	9500U2D847818DS1	0	9500U2D 84" x 77.75" Door Stiffener
15	STK-Q-16055	1	M6 x 18mm Stud (No Paint Cap Required)
1	9500U2D847818LDG	0	9500U2D 84" x 77.75" Lock Door Gasket
1	9500U2D847818LD-P	0	9500U2D 84" x 77.75" Lock Door Part
4	STK-K-09860	7	Cabinet Hinge with Captive Pins
QTY	Part Number	Rev	Description
Parts List			

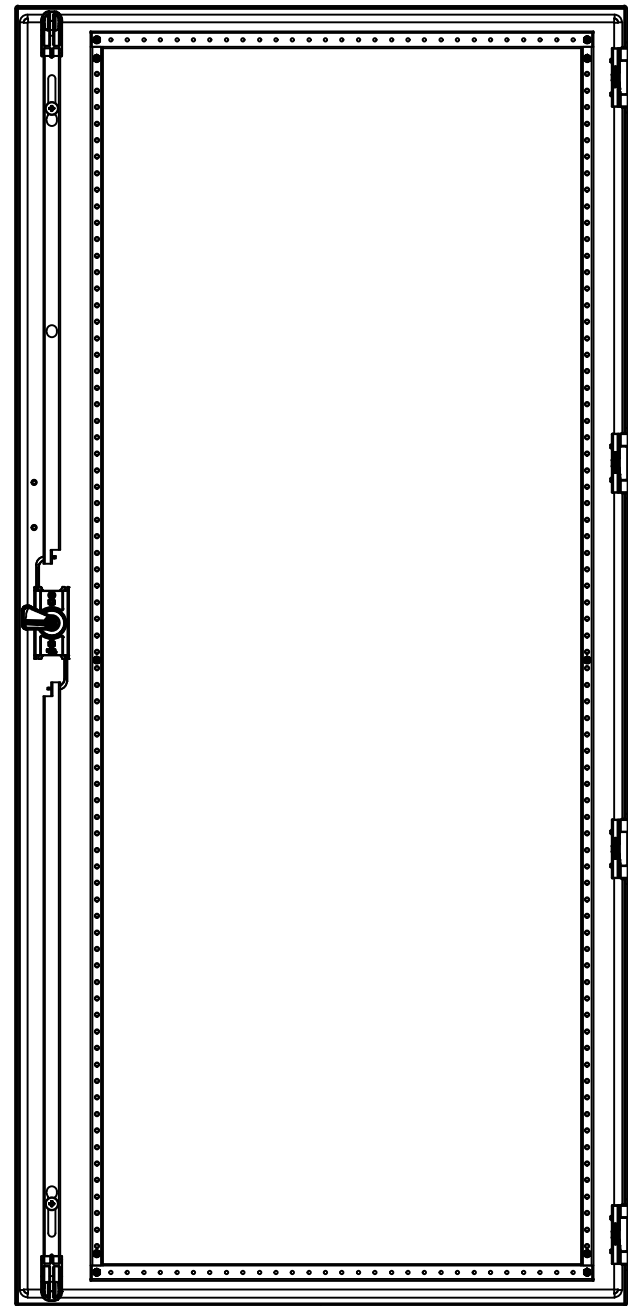
<p>Tél: (450) 979-4373 Fax: (450) 979-4626 www.exmweb.com</p>	Flatness Aplatissement	Max 3.0mm
	Projection	
Customer Client	Date	
Drawn By Dessiné Par	BoxCad: BoxCad	Date 12-Jan-16
Material Matière	12 Ga Cold Rolled A1008 CS Type B (2.5mm)	
Color Couleur	Asa-61 Grey	Finish Fini Smooth
Description	Detail Rev.	
9500U2D 84" x 77.75" Lock Door		
Part Number Numéro Pièce	Rev.	12
9500U2D847818LD	0	17

This drawing is confidential and must not be reproduced or used without the consent of EXM

Ce dessin est confidentiel et ne doit pas être reproduit ou utilisé sans le consentement de EXM



TOP



BACK



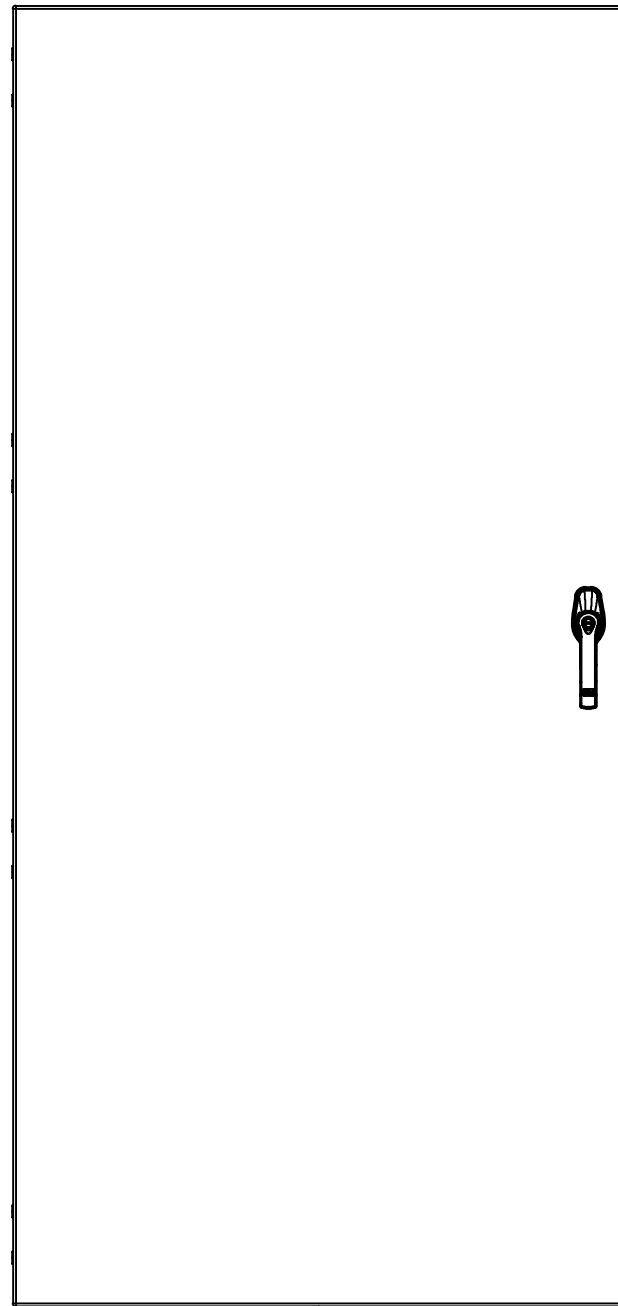
BOTTOM

0.000
0.835



LEFT

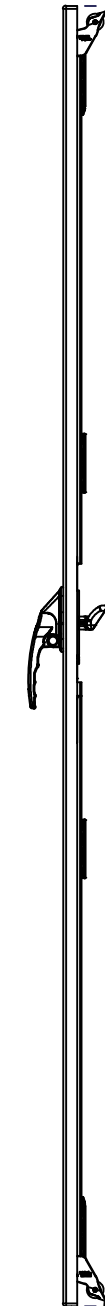
0.000



FRONT

36.500

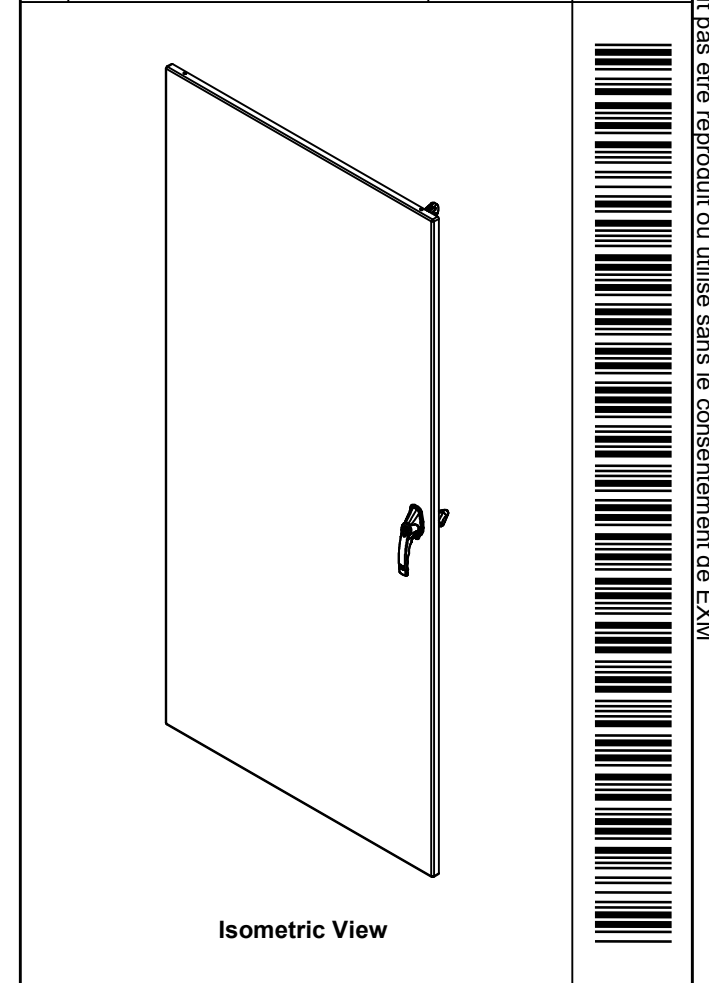
77.549


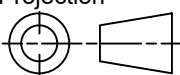


RIGHT

0.000

No.	Revisions	Date	By/Par



 Tél: (450) 979-4373 Fax: (450) 979-4626 www.exmweb.com		Flatness Aplatissement	
		Max 3.0mm	
Projection 		Date	
Customer Client	BoxCad: BoxCad	Date	12-Jan-16
Material Matière	12 Ga Cold Rolled A1008 CS Type B (2.5mm)		
Color Couleur	Asa-61 Grey	Finish Fini	Smooth
Description		Detail Rev.	
9500U2D 84" x 77.75" Lock Door			
Part Number Numéro Pièce	Rev.	13	17
SEE BILL OF MATERIAL ON LAST PAGE		0	
9500U2D847818FD			

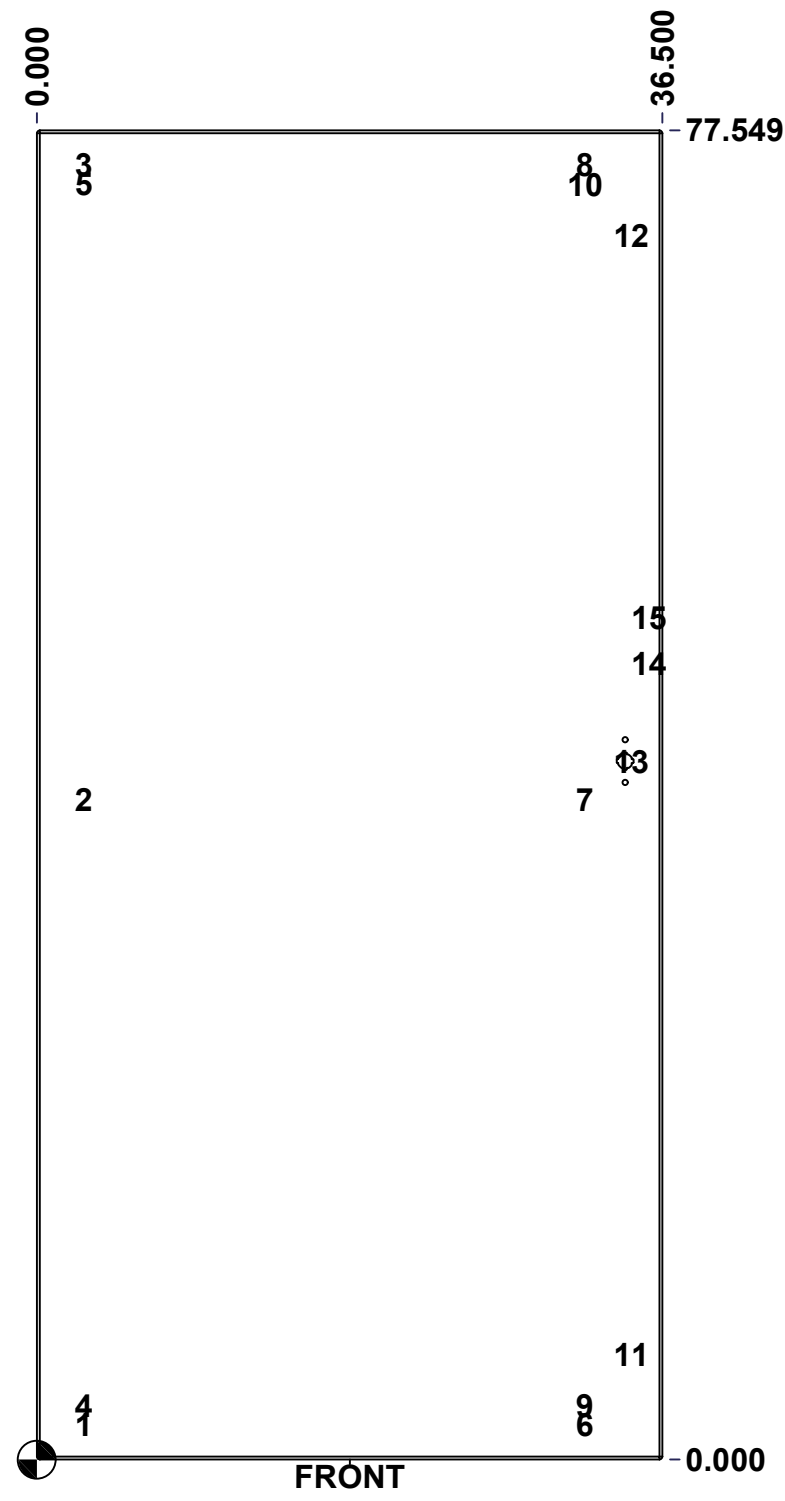
This drawing is confidential and must not be reproduced or used without the consent of EXM

Ce dessin est confidentiel et ne doit pas être reproduit ou utilisé sans le consentement de EXM

STANDARD FEATURES ARE NOT LISTED IN THIS HOLE TABLE

HOLE TABLE - FRONT VIEW (CUSTOM FEATURE ONLY)

CUT-OUT	XDIM	YDIM	DESCRIPTION
1	2.375	2.028	STUD M6 x 18mm (Inside)
2	2.375	38.533	STUD M6 x 18mm (Inside)
3	2.375	75.521	STUD M6 x 18mm (Inside)
4	2.375	3.139	STUD M6 x 18mm (Inside)
5	2.375	74.409	STUD M6 x 18mm (Inside)
6	31.626	2.028	STUD M6 x 18mm (Inside)
7	31.626	38.533	STUD M6 x 18mm (Inside)
8	31.626	75.521	STUD M6 x 18mm (Inside)
9	31.626	3.139	STUD M6 x 18mm (Inside)
10	31.626	74.409	STUD M6 x 18mm (Inside)
11	34.313	6.118	CLOSING BAR STUD (Inside)
12	34.313	71.430	CLOSING BAR STUD (Inside)
-----	-----	-----	-----
13	34.312	40.743	HANDLE 885 ESL2A-APHD @ 0.0°
14	35.348	46.445	STUDS M6 x 18mm (Inside)
15	35.348	49.123	STUDS M6 x 18mm (Inside)

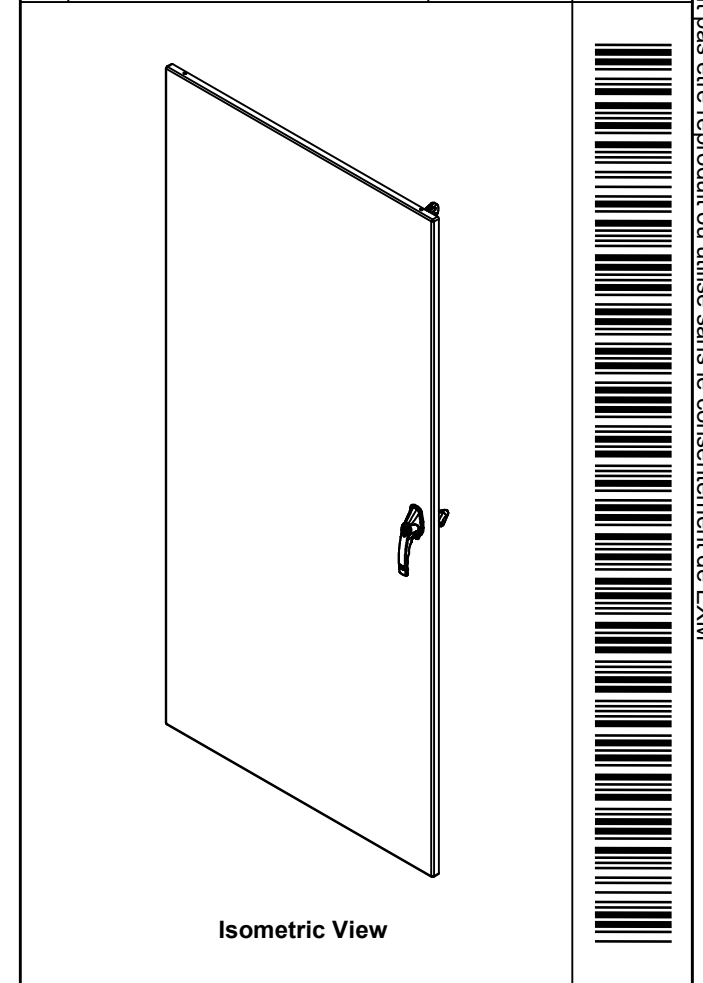


	Description	Status
	9500U2D 84" x 77.75" Lock Door	(NULL)
	Part Number Numéro Pièce	Rev.
	9500U2D847818FD	0
		14
		17

This drawing is confidential and must not be reproduced or used without the consent of EXM

Ce dessin est confidentiel et ne doit pas être reproduit ou utilisé sans le consentement de EXM

No.	Revisions	Date	By/Par



EXM
www.exmweb.com

Tél: (450) 979-4373
Fax: (450) 979-4626

Flatness
Aplatissement
Max 3.0mm

Projection

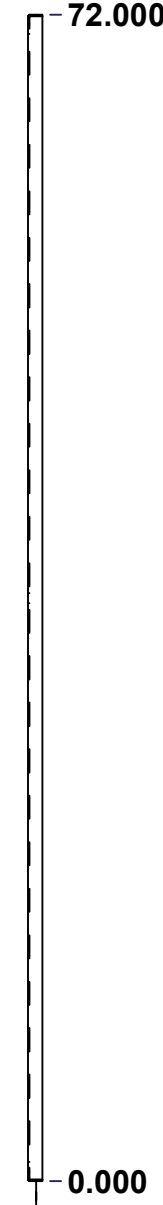
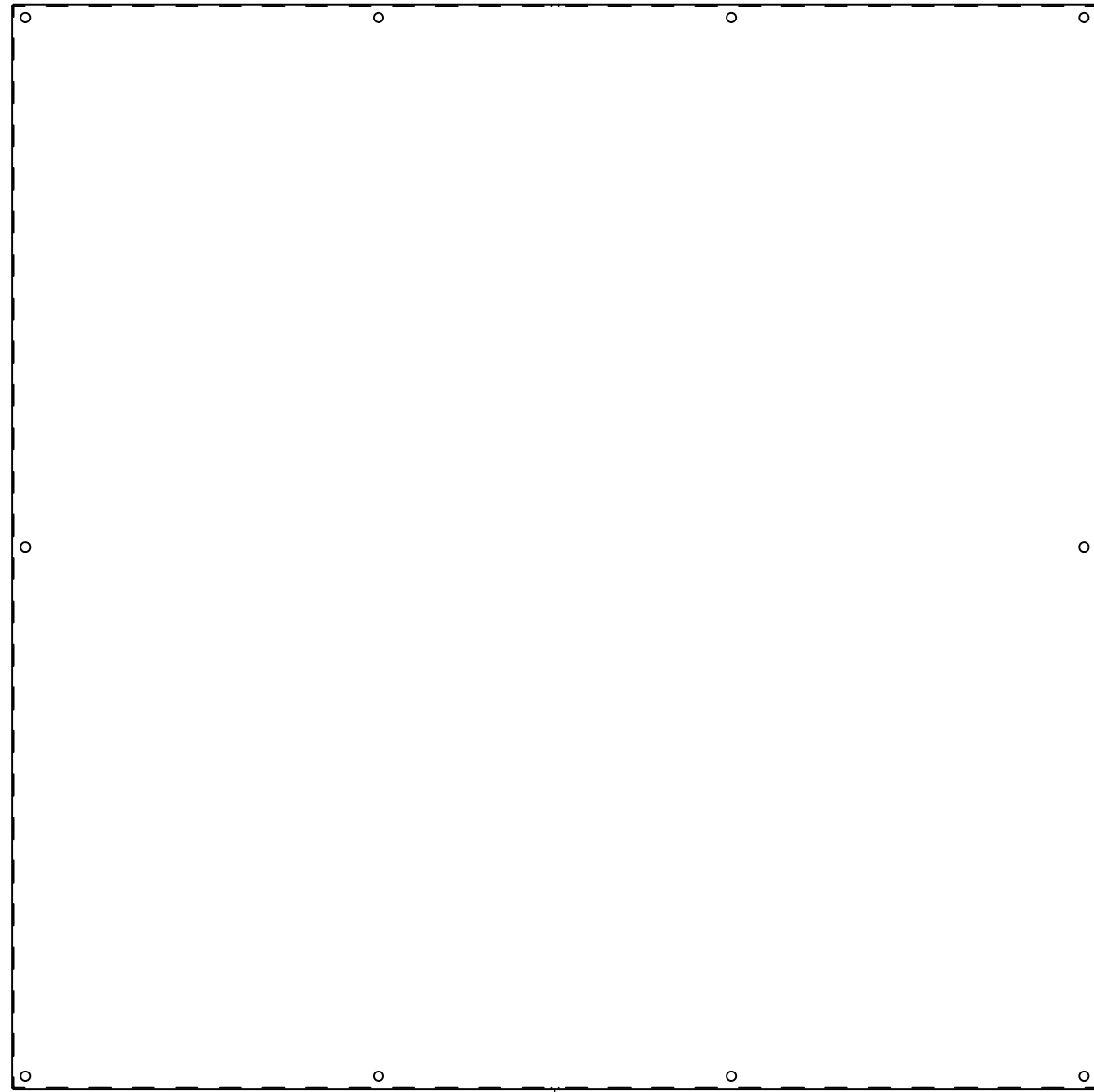
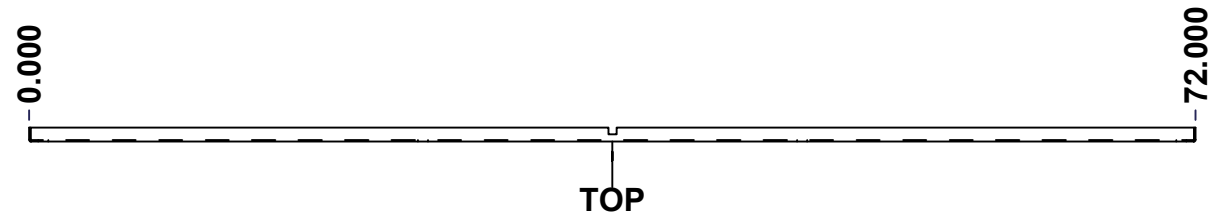
2	STK-Q-16050	1	Stud M6 x 18mm Steel
1	9500U2D847818CB	0	9500U2D 84" Closing Bar
1	9500U2D847818CB_ESY	0	9500U2D 84" Disconnect Closing Bar
1	STK-A-03880-36	12	Gearbox Clockwise Assembly (Grip 36mm)
1	885ESL2A-APHD	0	885 ESL2A-APHD - Zinc Die Cast L-Handle Padlockable Assy - Slot Cylinder
1	STK-P-02400S	0	Powder Paint (Asa-61 Grey / Smooth)
1	9500U2D847818DS1	0	9500U2D 84" x 77.75" Door Stiffener
12	STK-Q-16055	1	M6 x 18mm Stud (No Paint Cap Required)
1	9500U2D847818FDG	0	9500U2D 84" x 77.75" Flange Door Gasket
1	9500U2D847818FD-P	0	9500U2D 84" x 77.75" Lock Door Part
4	STK-K-09860	7	Cabinet Hinge with Captive Pins

Customer Client	Date
Drawn By / Dessiné Par: BoxCad: BoxCad	Date: 12-Jan-16
Material / Matière: 12 Ga Cold Rolled A1008 CS Type B (2.5mm)	
Color / Couleur: Asa-61 Grey	Finish / Fini: Smooth
Description: 9500U2D 84" x 77.75" Lock Door	Detail Rev.
Part Number / Numéro Pièce: 9500U2D847818FD	Rev. 0

QTY	Part Number	Rev	Description
Parts List			

This drawing is confidential and must not be reproduced or used without the consent of EXM

Ce dessin est confidentiel et ne doit pas être reproduit ou utilisé sans le consentement de EXM



No.	Revisions	Date	By/Par

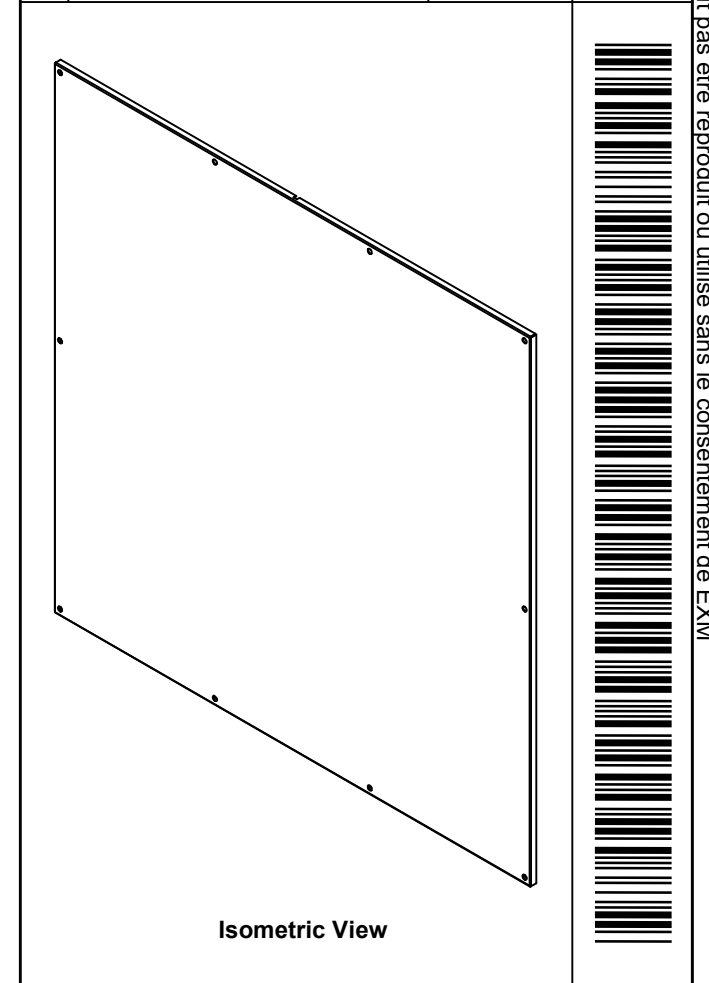
Isometric View


Tél: (450) 979-4373 Fax: (450) 979-4626 www.exmweb.com		Flatness Aplatissement	
		Max 3.0mm	
Customer Client		Date	
Drawn By Dessiné Par: BoxCad: BoxCad		Date: 12-Jan-16	
Material Matière: 12 Ga Galvanized (2.5mm)		Projection	
Color Couleur: Unpainted		Finish Fini: Unpainted	
Description: 9500U2D 84" x 77.75" Inner Panel		Detail Rev.	
Part Number Numéro Pièce: 9500U2D847818IP		Rev.:	16
SEE BILL OF MATERIAL ON LAST PAGE		0	17

This drawing is confidential and must not be reproduced or used without the consent of EXM

Ce dessin est confidentiel et ne doit pas être reproduit ou utilisé sans le consentement de EXM

No.	Revisions	Date	By/Par



 Tél: (450) 979-4373 Fax: (450) 979-4626 www.exmweb.com		Flatness Aplatissement Max 3.0mm
Customer Client		Date
Drawn By / Dessiné Par: BoxCad: BoxCad		Date: 12-Jan-16
Material / Matière: 12 Ga Galvanized (2.5mm)		
Color / Couleur: Unpainted	Finish / Fini: Unpainted	
Description: 9500U2D 84" x 77.75" Inner Panel		Detail Rev.
Part Number / Numéro Pièce: 9500U2D847818IP		Rev. 0 / 17

Qty	Part Number	Rev	Description
1	9500U2D847818IP-P	0	9500U2D 84" x 77.75" Inner Panel Part
Parts List			