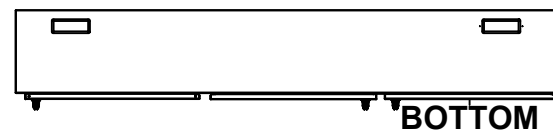
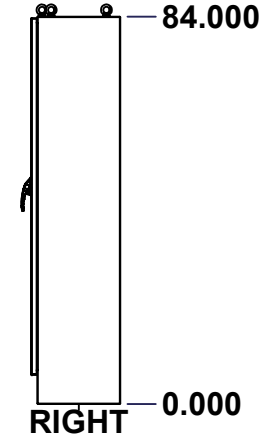
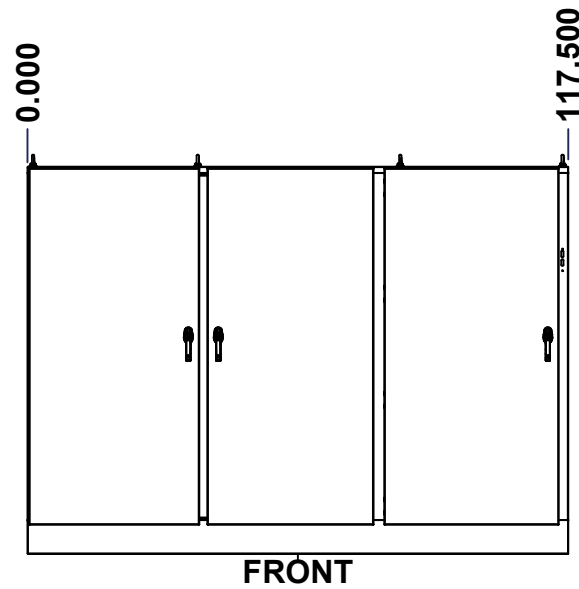
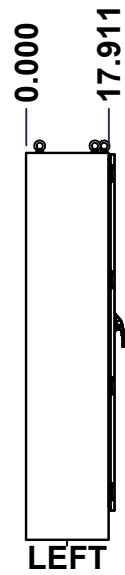
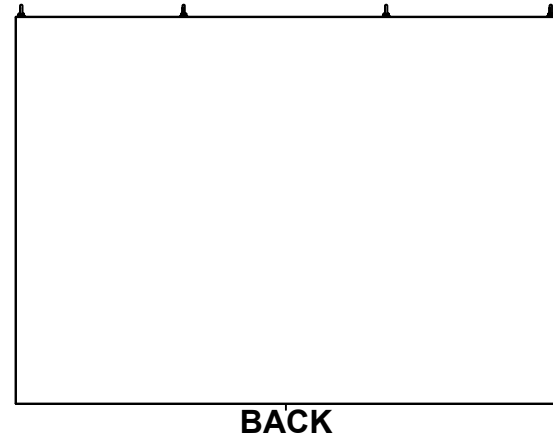
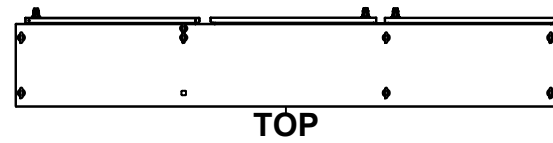
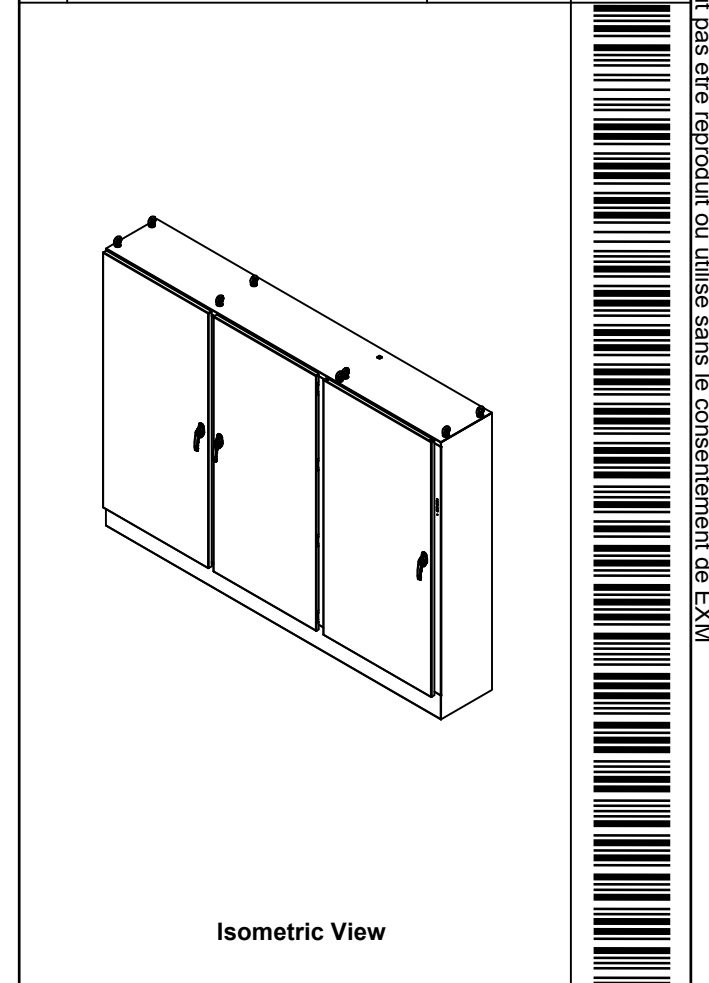




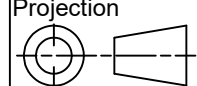
This drawing is confidential and must not be reproduced or used without the consent of EXM

Ce dessin est confidentiel et ne doit pas être reproduit ou utilisé sans le consentement de EXM



No.	Revisions	Date	By/Par



 Tél: (450) 979-4373 Fax: (450) 979-4626 www.exmweb.com		Flatness Aplatissement  Max 3.0mm Projection 
Customer Client	Date	
Drawn By Dessiné Par	BoxCad: BoxCad	Date 16-Dec-19
Material Matière	12 Ga Stainless Steel 304 (2.5mm)	
Color Couleur	Asa-61 Grey	Finish Fini Smooth
Description	Detail Rev.	
9500U3DSS 84" x 117.5" x 18" Assembly		
Part Number Numéro Pièce	Rev.	1
9500U3DSS8411818_MC	0	2

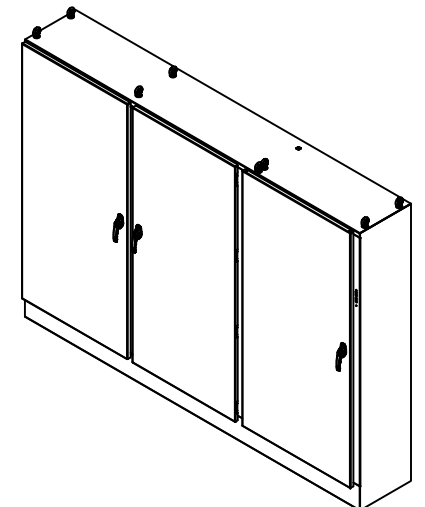
SEE BILL OF MATERIAL ON LAST PAGE

This drawing is confidential and must not be reproduced or used without the consent of EXM

Ce dessin est confidentiel et ne doit pas être reproduit ou utilisé sans le consentement de EXM

NOTE	
ITEM	DESCRIPTION
1	NEMA 12/13 Enclosure
2	C/W Standard ground studs on box and cover
3	W/O Standard door stiffener
4	C/W Special inner panel (Sold separately)
5	C/W Standard inner panel mounting studs
6	C/W Eyebolts sold separately (Not installed)
7	C/W 885 ESL2A-APHKSS (Kit)

No.	Revisions	Date	By/Par




Isometric View



1	9500U3DSS8411818_MCI 2	0	9500U3DSS 84" x 117.5" Inner Panel
1	9500U3DSS8411818_MCI P	0	9500U3DSS 84" x 117.5" Inner Panel
14	STK-Q-07320	0	Flange Lock Nut M10
1	9500U3DSS8411818_MC FD	0	9500U3DSS 84" x 117.5" Back Flange Door
1	9500U3DSS8411818_MC RD	0	9500U3DSS 84" x 117.5" Right Door
10	STK-Q-07620	0	M10 Plastic Spacer 0.875"
1	9500U3DSS8411818_MC LD	0	9500U3DSS 84" x 117.5" Back Lock Door
1	9500U3DSS8411818_MC B	0	9500U3DSS 84" x 117.5" x 18" Body
4	STK-Q-04051-10	8	M6 Hexagon Socket Head Machine Screw with Nyseal
4	880EB14SS	2	Stainless Steel Eye Bolt M14 (Pack of 2)
2	9500U3DSS8411818_MC GP	0	9500U3DSS Gland Plate
Qty	Part Number	Rev	Description
Parts List			

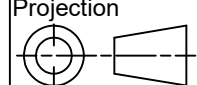
PACKING		
ITEM	QTY	DESCRIPTION
Cardboard sleeve	2	Top and Bottom
Cardboard strip	2	Between back of enclosure and inner panel
Plastic bag	1	To protect cover surface and inside gasket
Cardboard corner	4	To reinforced for the plastic strap tightening
Plastic strap - Black	2	To Squeeze 2 cardboard sleeve together
Packaging label	3	White label with PN
Plastic strap- Green	2	To secure the enclosure to the wood pallet
Wood Pallet	1	2" deeper and 3" larger than enclosure size



Tél: (450) 979-4373
Fax: (450) 979-4626
www.exmweb.com

Flatness
Aplatissement
Max 3.0mm

Projection



Customer Client	Date
Drawn By Dessiné Par	Date 16-Dec-19
Material Matière	12 Ga Stainless Steel 304 (2.5mm)
Color Couleur	Asa-61 Grey
Finish Fini	Smooth
Description	Detail Rev.
9500U3DSS 84" x 117.5" x 18" Assembly	
Part Number Numéro Pièce	Rev. 2
9500U3DSS8411818_MC	0

This drawing is confidential and must not be reproduced or used without the consent of EXM

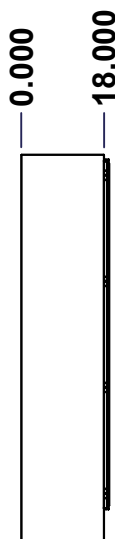
Ce dessin est confidentiel et ne doit pas être reproduit ou utilisé sans le consentement de EXM



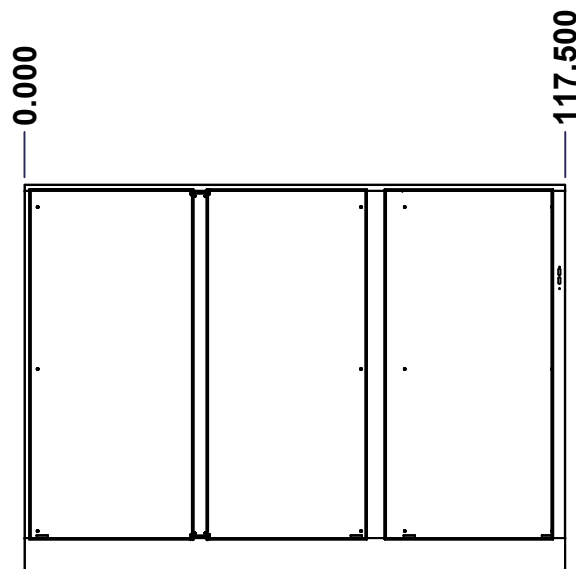
TOP



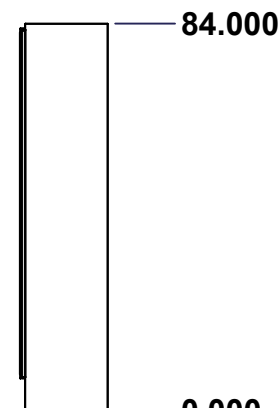
BACK



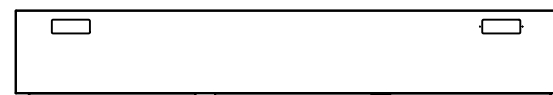
LEFT



FRONT

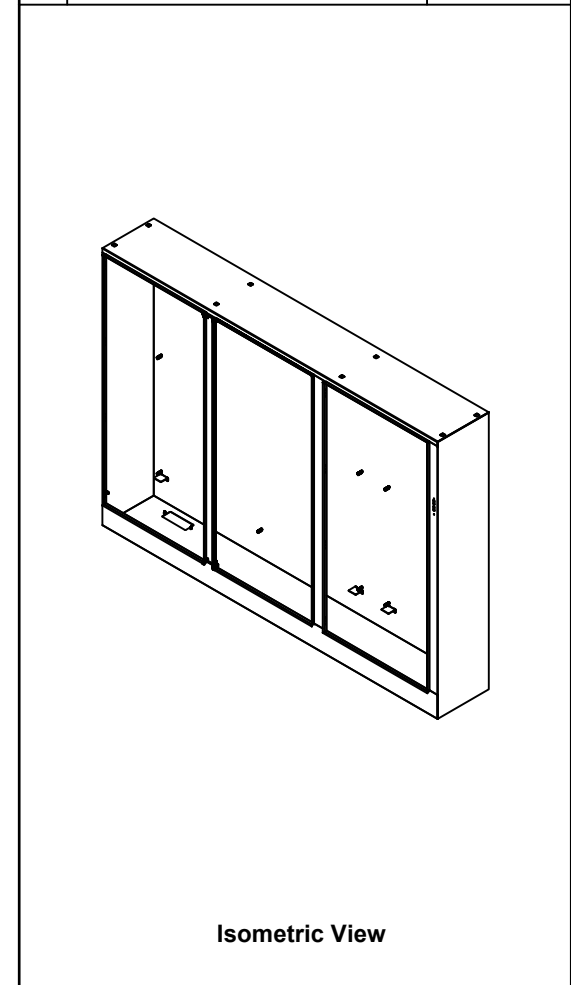


RIGHT





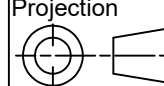
BOTTOM

No.	Revisions	Date	By/Par



Isometric View

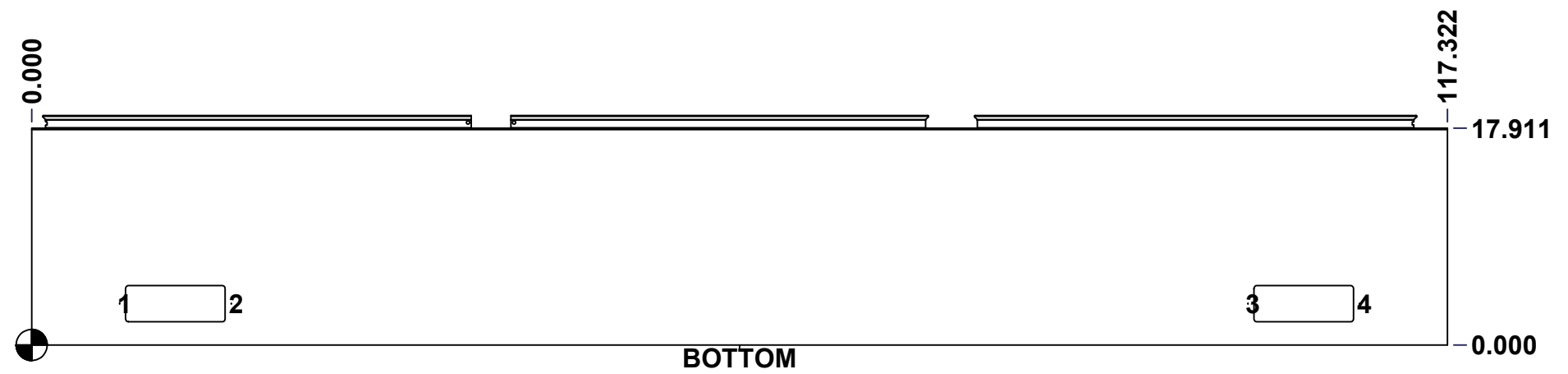


 Tél: (450) 979-4373 Fax: (450) 979-4626 www.exmweb.com		Flatness Aplatissement  Max 3.0mm Projection 
Customer Client	Date	
Drawn By Dessiné Par	BoxCad: BoxCad	Date 16-Dec-19
Material Matière	12 Ga Stainless Steel 304 (2.5mm)	
Color Couleur	Asa-61 Grey	Finish Finis Smooth
Description	Detail Rev.	
9500U3DSS 84" x 117.5" x 18" Body		
Part Number Numéro Pièce	Rev.	1
SEE BILL OF MATERIAL ON LAST PAGE 9500U3DSS8411818_MCB	0	2

This drawing is confidential and must not be reproduced or used without the consent of EXM

Ce dessin est confidentiel et ne doit pas être reproduit ou utilisé sans le consentement de EXM

STANDARD FEATURES ARE NOT LISTED IN THIS HOLE TABLE			
HOLE TABLE - BOTTOM VIEW (CUSTOM FEATURE ONLY)			
CUT-OUT	XDIM	YDIM	DESCRIPTION
1	7.286	3.411	GP STUD M6 x 16mm (Inside)
2	16.536	3.411	GP STUD M6 x 16mm (Inside)
3	100.78 6	3.411	GP STUD M6 x 16mm (Inside)
4	110.03 6	3.411	GP STUD M6 x 16mm (Inside)



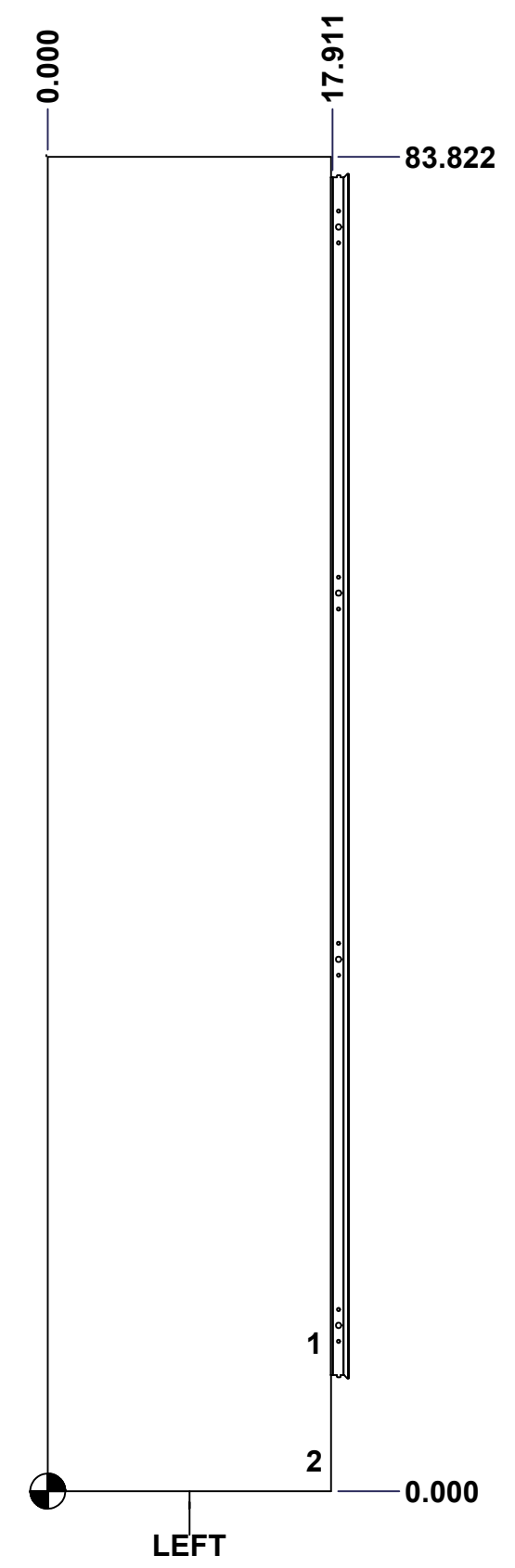
	Description	Status	
	9500U3DSS 84" x 117.5" x 18" Body	Released	
	Part Number Numéro Pièce	Rev.	
	9500U3DSS8411818_MCB	0	4 / 7

This drawing is confidential and must not be reproduced or used without the consent of EXM

Ce dessin est confidentiel et ne doit pas être reproduit ou utilisé sans le consentement de EXM

STANDARD FEATURES ARE NOT LISTED IN THIS HOLE TABLE			
HOLE TABLE - LEFT VIEW (CUSTOM FEATURE ONLY)			
CUT-OUT	XDIM	YDIM	DESCRIPTION
1	16.411	9.286	GND STUD M6 x 16mm (Inside)

2	16.411	1.911	GND STUD M6 x 16mm (Inside)



	Description		Status	
	9500U3DSS 84" x 117.5" x 18" Body		Released	
Part Number Numéro Pièce		Rev.	5	
9500U3DSS8411818_MCB		0	7	

This drawing is confidential and must not be reproduced or used without the consent of EXM

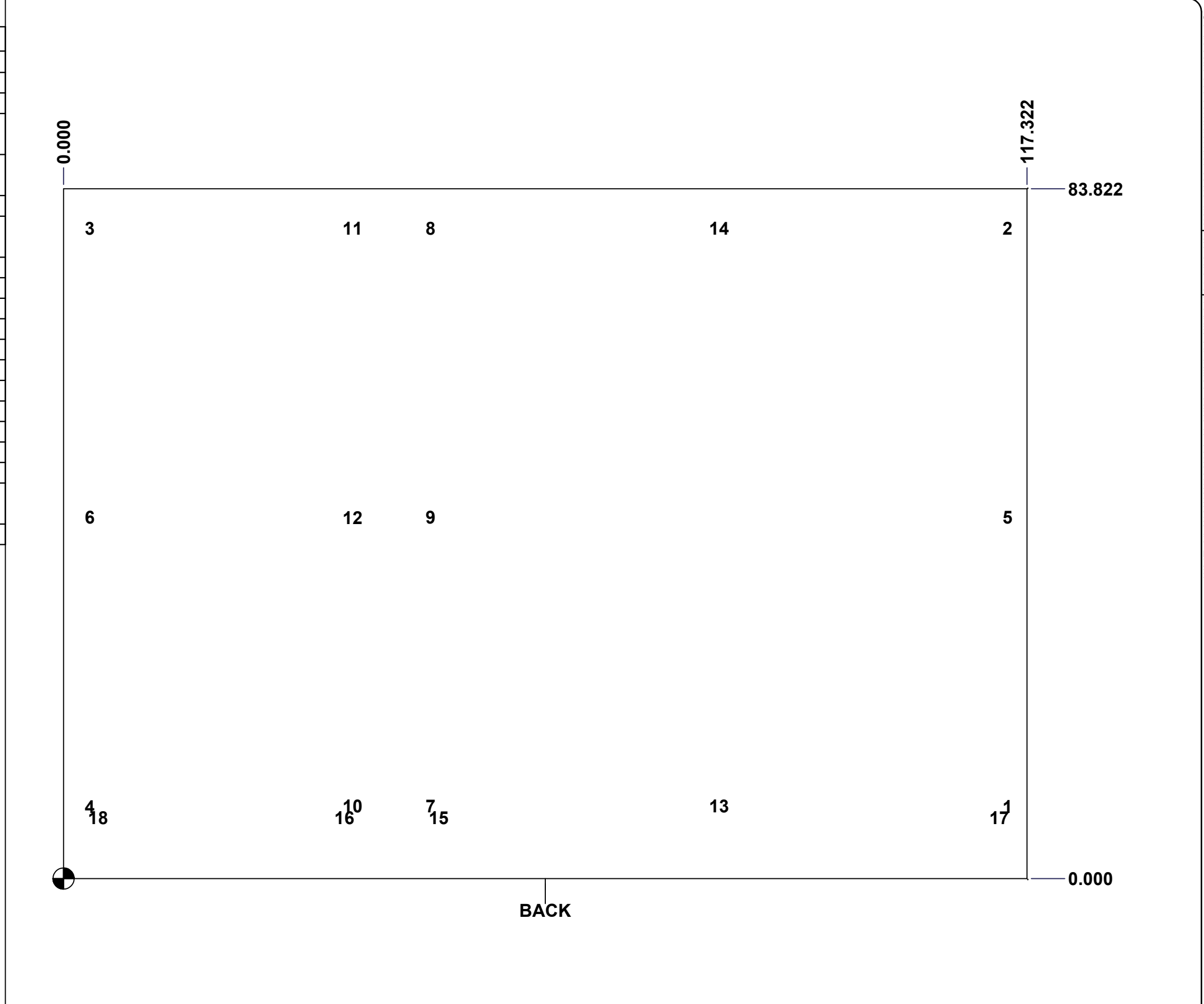
Ce dessin est confidentiel et ne doit pas être reproduit ou utilisé sans le consentement de EXM

STANDARD FEATURES ARE NOT LISTED IN THIS HOLE TABLE

HOLE TABLE - BACK VIEW (CUSTOM FEATURE ONLY)

CUT-OUT	XDIM	YDIM	DESCRIPTION
1	2.786	8.786	IP STUD M10 x 40mm (Inside)
2	2.786	79.036	IP STUD M10 x 40mm (Inside)
3	114.536	79.036	IP STUD M10 x 40mm (Inside)
4	114.536	8.786	IP STUD M10 x 40mm (Inside)
5	2.786	43.911	IP STUD M10 x 40mm (Inside)
6	114.536	43.911	IP STUD M10 x 40mm (Inside)
7	73.036	8.786	IP STUD M10 x 40mm (Inside)
8	73.036	79.036	IP STUD M10 x 40mm (Inside)
9	73.036	43.911	IP STUD M10 x 40mm (Inside)
10	82.536	8.786	IP STUD M10 x 40mm (Inside)
11	82.536	79.036	IP STUD M10 x 40mm (Inside)
12	82.536	43.911	IP STUD M10 x 40mm (Inside)
13	37.911	8.786	IP STUD M10 x 40mm (Inside)
14	37.911	79.036	IP STUD M10 x 40mm (Inside)

15	45.286	7.411	IP SUPPORT ANGLE (Inside)
16	33.786	7.411	IP SUPPORT ANGLE (Inside)
17	113.536	7.411	IP SUPPORT ANGLE (Inside)
18	3.786	7.411	IP SUPPORT ANGLE (Inside)



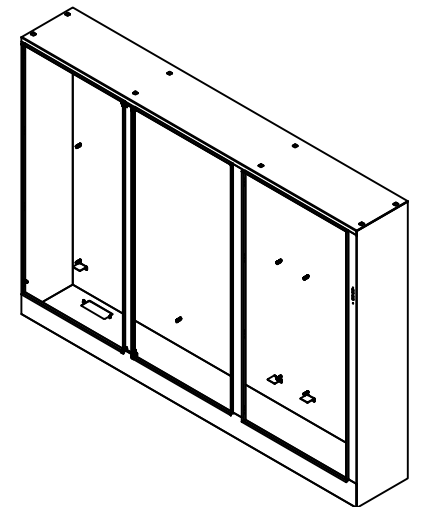
	Description		Status	
	9500U3DSS 84" x 117.5" x 18" Body		Released	
Part Number Numéro Pièce		Rev.	6	
9500U3DSS8411818_MCB		0	7	

This drawing is confidential and must not be reproduced or used without the consent of EXM

Ce dessin est confidentiel et ne doit pas être reproduit ou utilisé sans le consentement de EXM

NOTE	
ITEM	DESCRIPTION
1	NEMA 12/13 Enclosure
2	C/W Standard ground studs on box and cover
3	W/O Standard door stiffener
4	C/W Special inner panel (Sold seperately)
5	C/W Standard inner panel mounting studs

No.	Revisions	Date	By/Par




Isometric View



1	STK-Q-16085	0	Ground Stud M6 x 16mm Stainless Steel
4	9500U3DSS8411818_MC BPA-P	0	9500U3DSS Inner Panel Support Angle
1	STK-P-02400S	0	Powder Paint (Asa-61 Grey / Smooth)
1	9500U3DSS8411818_MC CP-1	0	9500U3DSS 18" Lifting Angle Part
1	9500U3DSS8411818_MC CP-P	0	9500U3DSS 18" Lifting Angle Part
2	STK-K-12100	0	Center Post Support
1	9500U3DSS8411818_MC BT-P	0	9500U3DSS 117.5" x 18" Bottom Part
4	9500U3DSS8411818_MC LA-P	0	9500U3DSS 18" Lifting Angle Part
1	STK-Q-52500-36	0	Stainless Steel 304 Sasco Strut S5 (33.500" Long)
1	9500U3DSS8411818_MC T-P	0	9500U3DSS 117.5" x 18" Top Part
1	9500U3DSS8411818_MC RS-P	0	9500U3DSS 84" x 117.5" Right Part
14	STK-Q-16120	0	Stud M10 x 40mm Stainless Steel
5	STK-Q-16095	0	M6 x 16mm Stainless Steel Ground Stud
1	9500U3DSS8411818_MC LS-P	0	9500U3DSS 84" x 117.5" Left Part
1	9500U3DSS8411818_MC B-P	0	9500U3DSS 84" x 117.5" Back Part

Qty	Part Number	Rev	Description
Parts List			



Tél: (450) 979-4373
Fax: (450) 979-4626
www.exmweb.com

Flatness
Aplatissement
Max 3.0mm

Projection

Customer Client

Drawn By / Dessiné Par: BoxCad: BoxCad

Material / Matière: 12 Ga Stainless Steel 304 (2.5mm)

Color / Couleur: Asa-61 Grey

Finish / Fini: Smooth

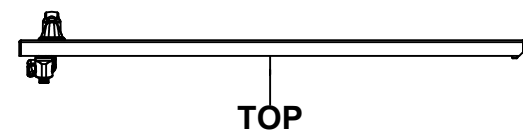
Description: 9500U3DSS 84" x 117.5" x 18" Body

Part Number / Numéro Pièce: **9500U3DSS8411818_MCB**

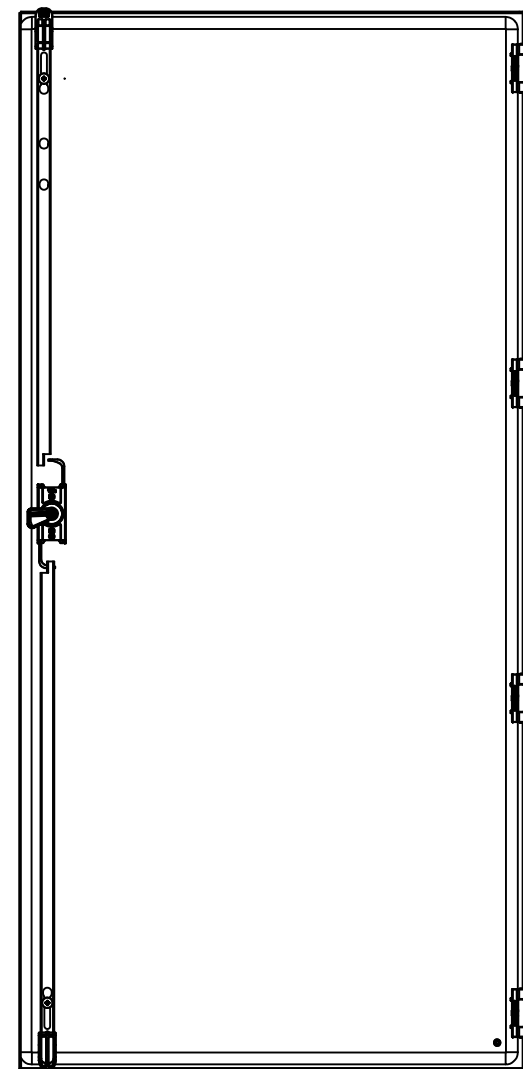
Date	16-Dec-19
Detail Rev.	2
Rev.	0

This drawing is confidential and must not be reproduced or used without the consent of EXM

Ce dessin est confidentiel et ne doit pas être reproduit ou utilisé sans le consentement de EXM



TOP



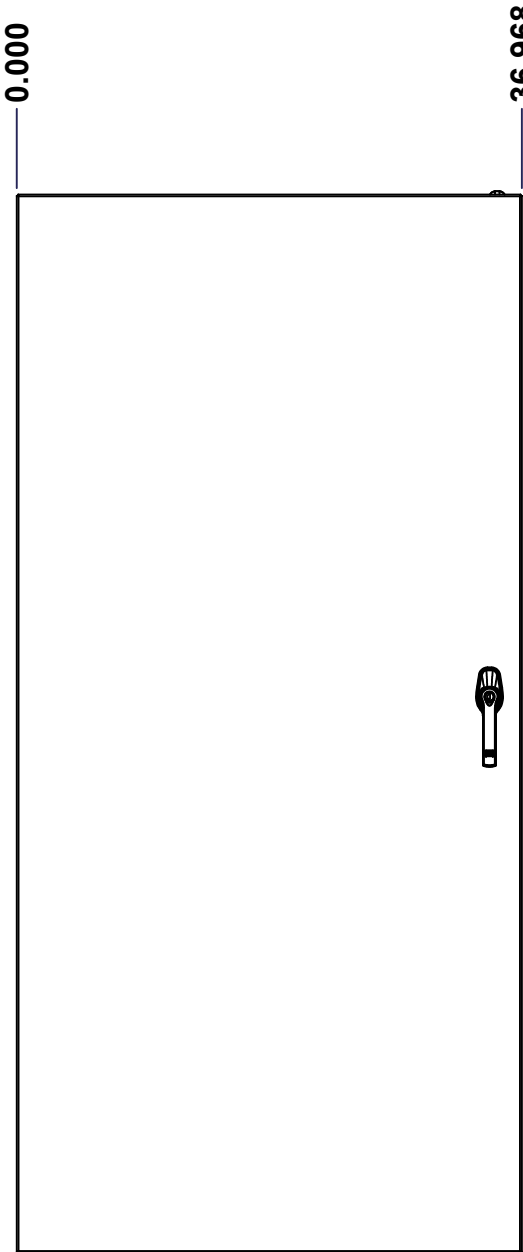
BACK



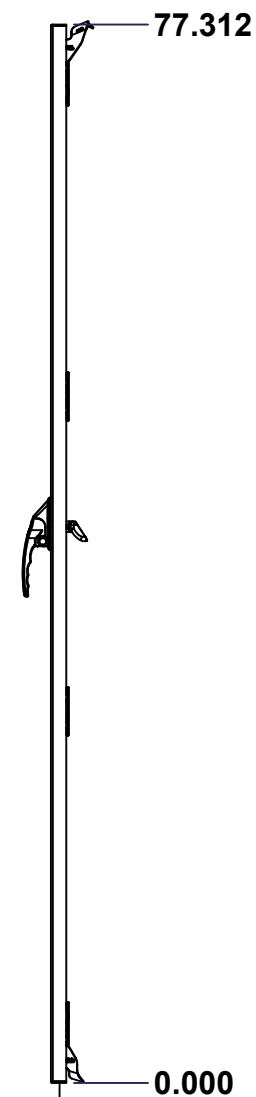
BOTTOM



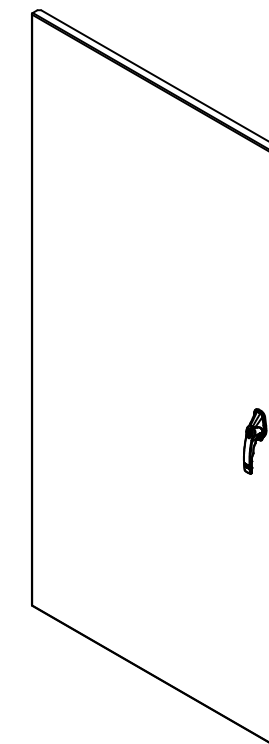
LEFT



FRONT



RIGHT



Isometric View

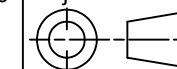


Tél: (450) 979-4373
 Fax: (450) 979-4626
www.exmweb.com

Flatness
Aplatissement

Max 3.0mm

Projection



Customer Client _____ Date _____

Drawn By / Dessiné Par BoxCad: BoxCad Date 16-Dec-19

Material / Matière 12 Ga Stainless Steel 304 (2.5mm)

Color / Couleur Asa-61 Grey Finish / Fini Smooth

Description 9500U3DSS 84" x 117.5" Back Lock Door Detail Rev. _____

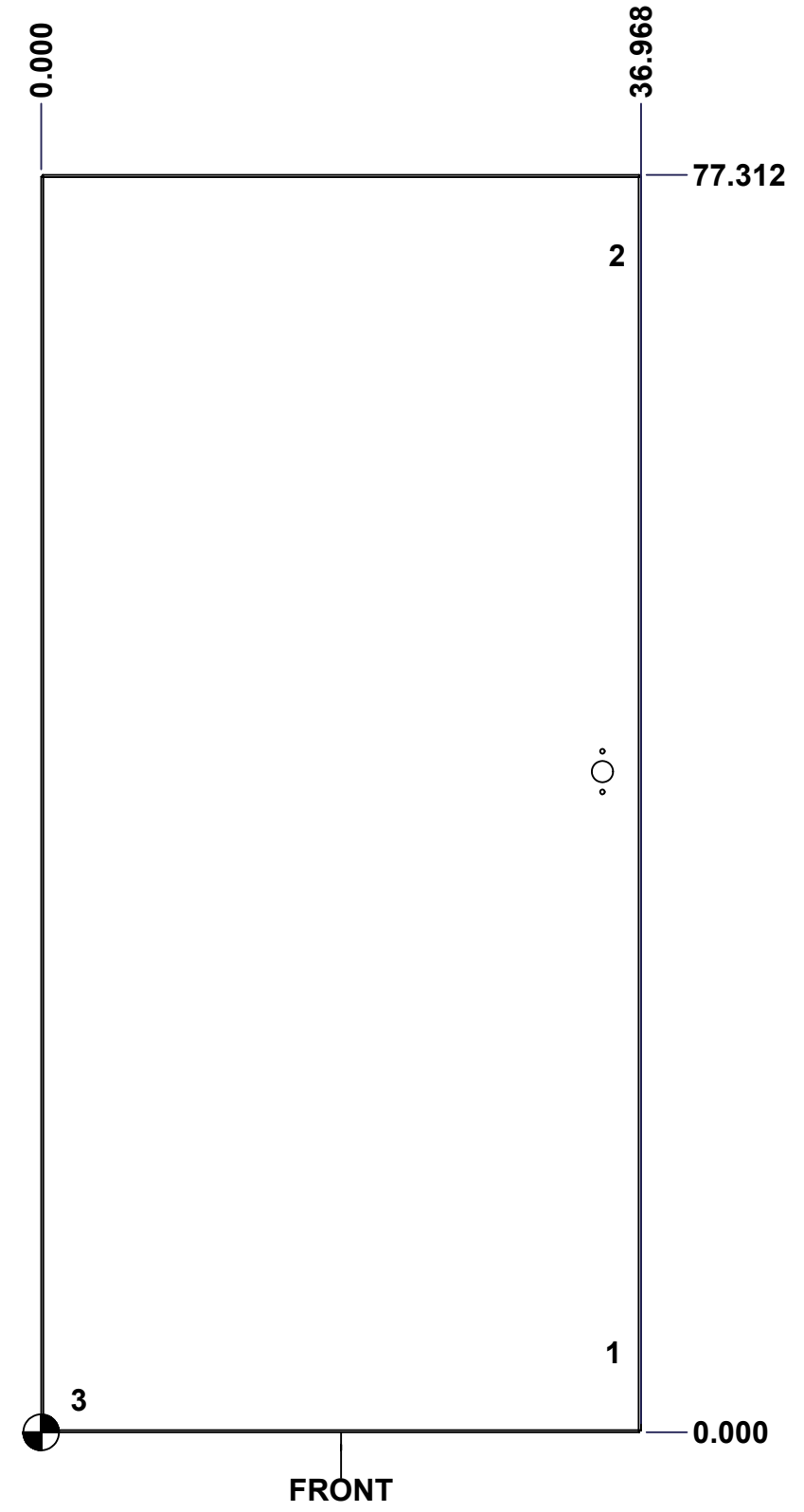
Part Number / Numéro Pièce 9500U3DSS8411818_MCLD Rev. 1 / 3

SEE BILL OF MATERIAL ON LAST PAGE

This drawing is confidential and must not be reproduced or used without the consent of EXM

Ce dessin est confidentiel et ne doit pas être reproduit ou utilisé sans le consentement de EXM

STANDARD FEATURES ARE NOT LISTED IN THIS HOLE TABLE			
HOLE TABLE - FRONT VIEW (CUSTOM FEATURE ONLY)			
CUT-OUT	XDIM	YDIM	DESCRIPTION
1	34.914	4.907	STUD M6 x 18mm (Inside)
2	35.164	66.405	STUD M6 x 18mm (Inside)
3	2.000	2.000	GND STUD M6 x 16mm (Inside)

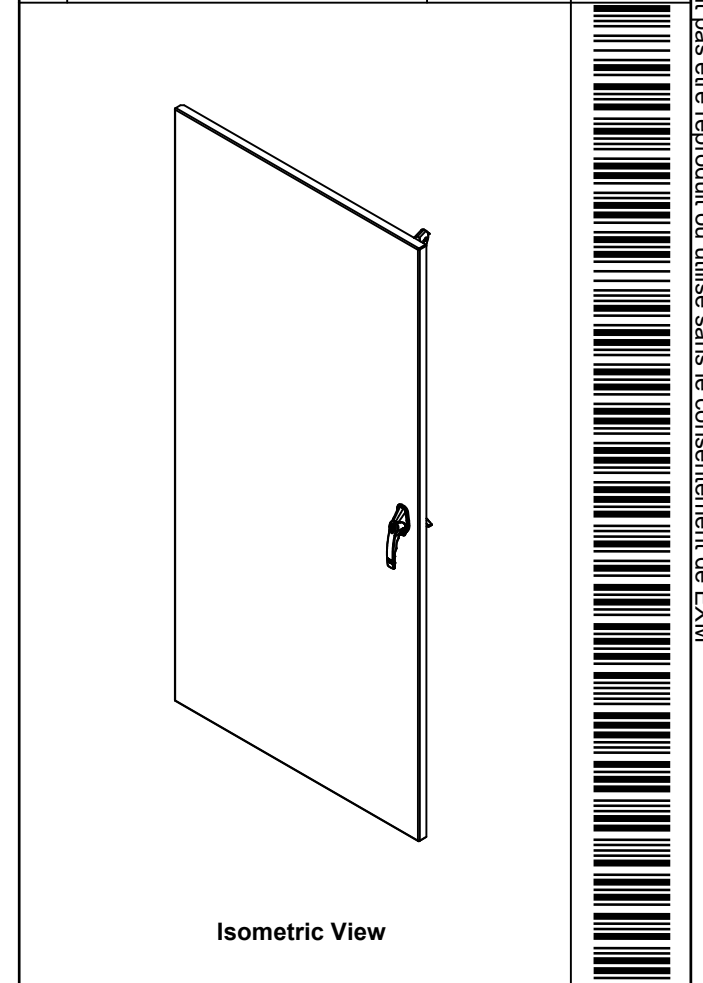


	Description	Status
	9500U3DSS 84" x 117.5" Lock Door	(NULL)
	Part Number Numéro Pièce	Rev.
	9500U3DSS8411818_MCLD	0
		2
		3

This drawing is confidential and must not be reproduced or used without the consent of EXM


Ce dessin est confidentiel et ne doit pas être reproduit ou utilisé sans le consentement de EXM

No.	Revisions	Date	By/Par



1	9500U3DSS8411818_MC CB	0	9500U3DSS 84" Closing Bar
1	9500U3DSS8411818_MC CB2ESY	0	9500U3DSS 84" Disconnect Closing Bar
1	885ESL2A-APHKSS	7	885 ESL2A-APHKSS - Stainless Steel L-Handle Padlockable Assy
1	9500U3DSS8411818_MC LDG	0	9500U3DSS 84" x 117.5" Lock Door Gasket
1	STK-P-02400S	0	Powder Paint (Asa-61 Grey / Smooth)
1	STK-K-03980-36	12	Gearbox Counter Clockwise Assembly (Grip 36mm)
1	STK-Q-16095	0	M6 x 16mm Stainless Steel Ground Stud
2	STK-Q-16070	1	Stud M6 x 18mm Stainless steel
1	9500U3DSS8411818_MC LD-P	0	9500U3DSS 84" x 117.5" Lock Door Part
4	STK-K-09870	7	Cabinet Hinge with Captive Pins
Qty	Part Name	Rev	Description

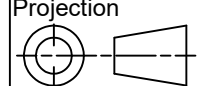
Parts List



Tél: (450) 979-4373
Fax: (450) 979-4626
www.exmweb.com

Flatness
Aplatissement
Max 3.0mm

Projection

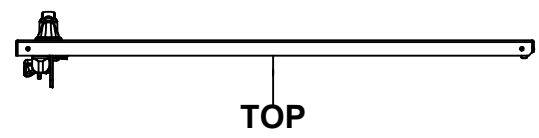


Customer Client	Date
Drawn By Dessiné Par BoxCad: BoxCad	Date 16-Dec-19
Material Matière 12 Ga Stainless Steel 304 (2.5mm)	
Color Couleur Asa-61 Grey	Finish Fini Smooth
Description 9500U3DSS 84" x 117.5" Back Lock Door	Detail Rev.
Part Number Numéro Pièce 9500U3DSS8411818_MCLD	Rev. 0

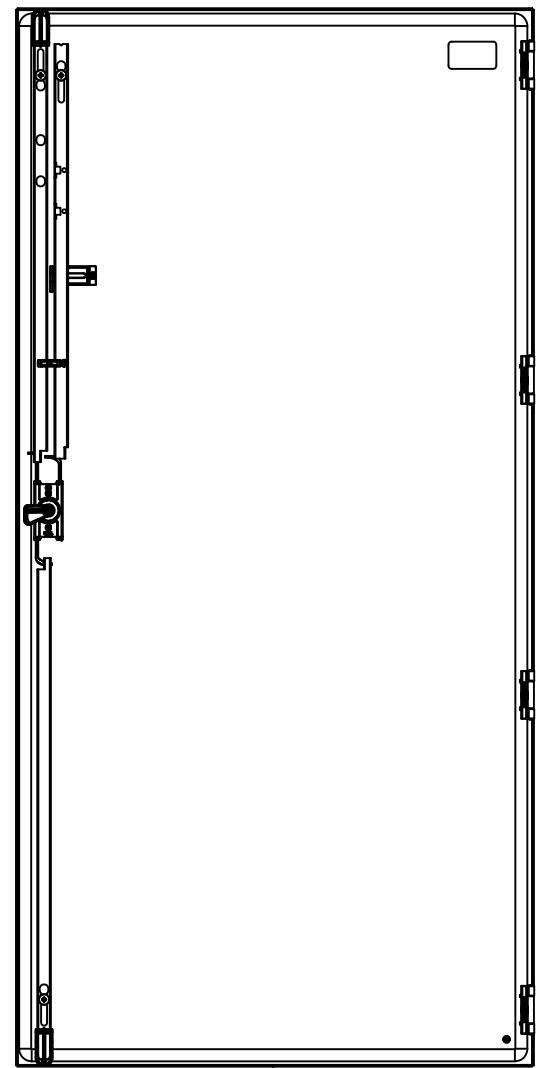
3
3

This drawing is confidential and must not be reproduced or used without the consent of EXM

Ce dessin est confidentiel et ne doit pas être reproduit ou utilisé sans le consentement de EXM



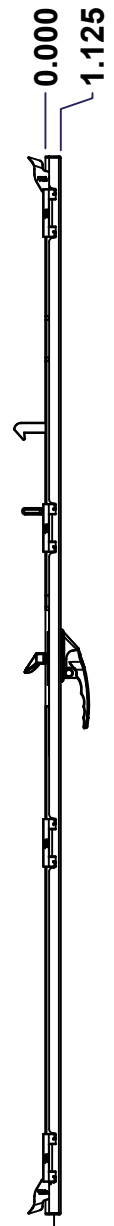
TOP



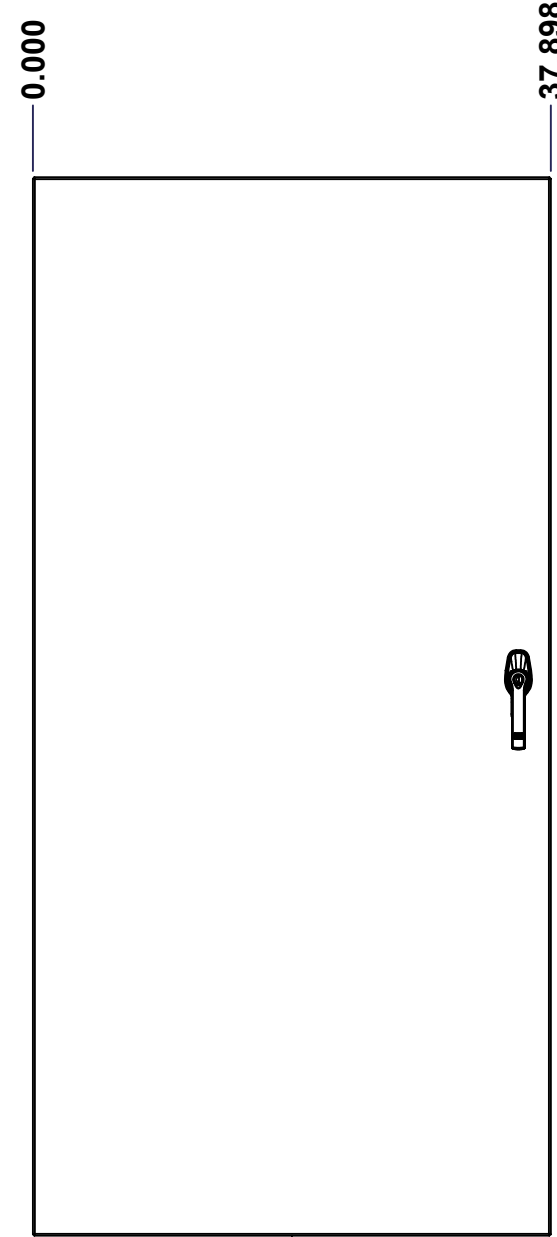
BACK



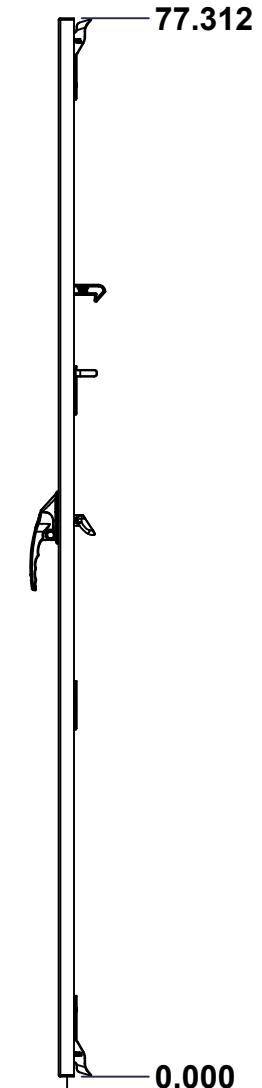
BOTTOM



LEFT



FRONT



RIGHT

0.000
1.125

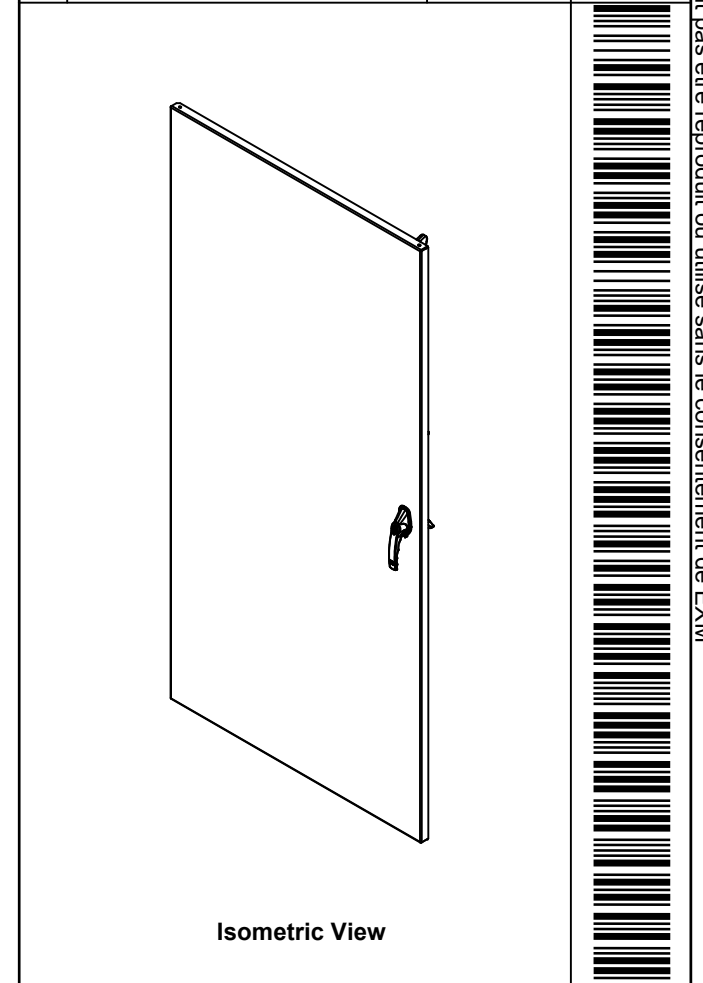
0.000

37.898

77.312

0.000

No.	Revisions	Date	By/Par



Isometric View



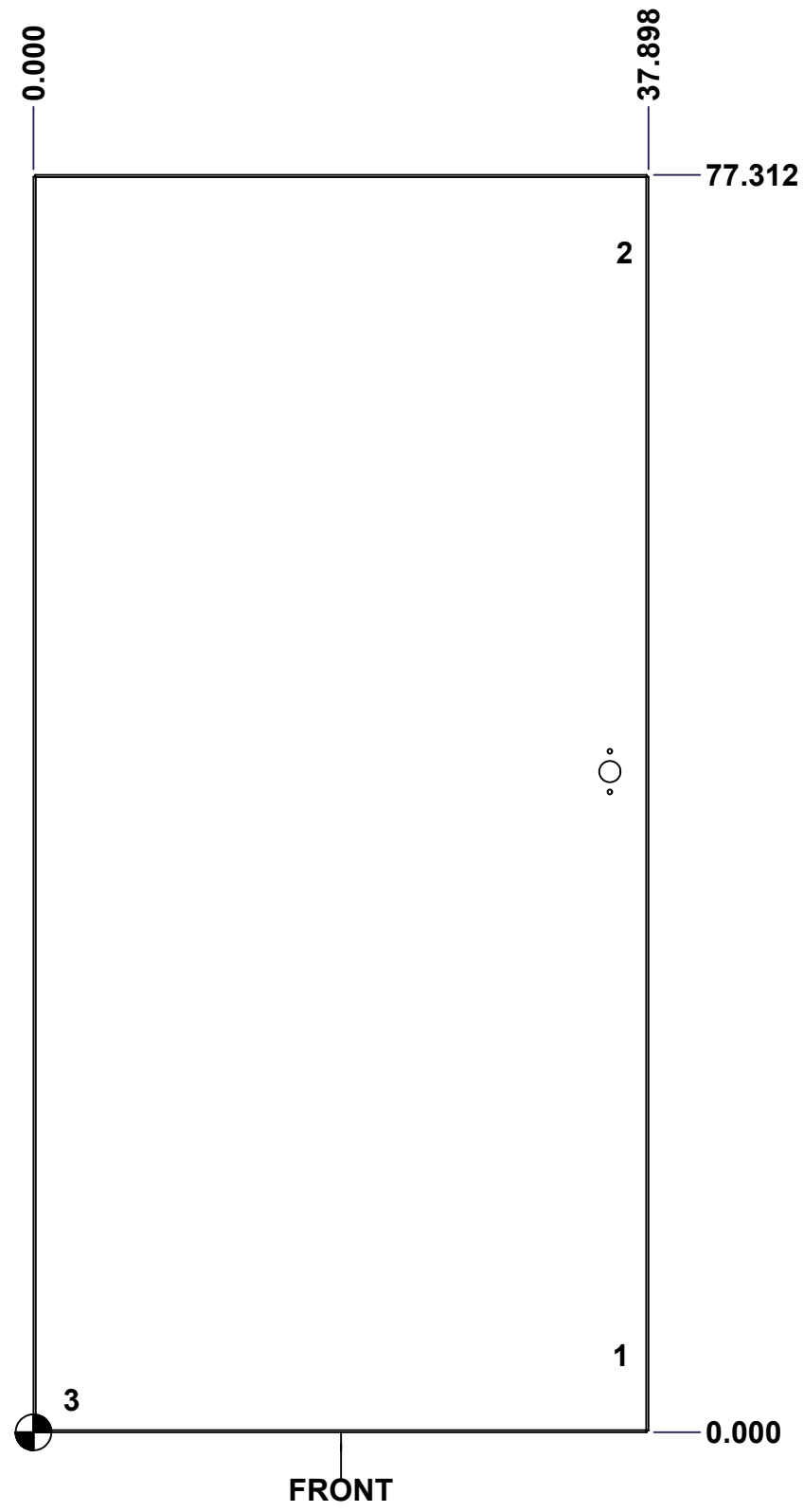
Tél: (450) 979-4373 Fax: (450) 979-4626 www.exmweb.com		Flatness Aplatissement Max 3.0mm Projection
Customer Client	Date	
Drawn By Dessiné Par	BoxCad: BoxCad	Date 16-Dec-19
Material Matière	12 Ga Stainless Steel 304 (2.5mm)	
Color Couleur	Asa-61 Grey	Finish Fin Smooth
Description	Detail Rev.	
9500U3DSS 84" x 117.5" Back Flange Door		
Part Number Numéro Pièce	Rev. 0	1 3

SEE BILL OF MATERIAL ON LAST PAGE 9500U3DSS8411818_MCFD

This drawing is confidential and must not be reproduced or used without the consent of EXM

Ce dessin est confidentiel et ne doit pas être reproduit ou utilisé sans le consentement de EXM

STANDARD FEATURES ARE NOT LISTED IN THIS HOLE TABLE			
HOLE TABLE - FRONT VIEW (CUSTOM FEATURE ONLY)			
CUT-OUT	XDIM	YDIM	DESCRIPTION
1	35.844	4.750	CLOSING BAR GUIDE (Inside)
2	36.094	72.562	CLOSING BAR GUIDE (Inside)
3	2.000	2.000	GND STUD M6 x 16mm (Inside)

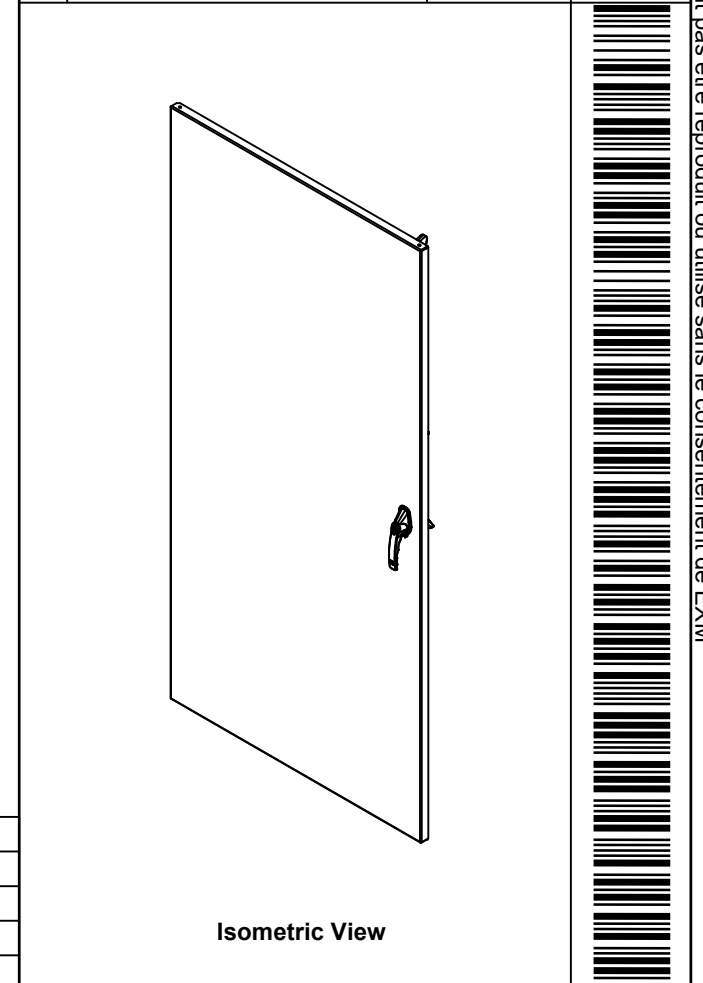


	Description	Status
	9500U3DSS 84" x 117.5" Lock Door	(NULL)
	Part Number Numéro Pièce	Rev.
	9500U3DSS8411818_MCFD	0
		2
		3

This drawing is confidential and must not be reproduced or used without the consent of EXM

Ce dessin est confidentiel et ne doit pas être reproduit ou utilisé sans le consentement de EXM

No.	Revisions	Date	By/Par



1	STK-Q-07220	1	M6 Nylon Insert Lock Nut
1	STK-Q-13060	1	M6 Flat Washer
1	STK-Q-46600	3	5500 ESY Disconnect Door Hook
1	STK-A-03995-36	1	Gearbox Counter Clockwise Assembly (Grip 36mm)
1	STK-Q-16095	0	M6 x 16mm Stainless Steel Ground Stud
5	STK-Q-16070	1	Stud M6 x 18mm Stainless steel
1	885ESL2A-APHKSS	7	885 ESL2A-APHKSS - Stainless Steel L-Handle Padlockable Assy
4	STK-K-09870	7	Cabinet Hinge with Captive Pins
1	STK-P-02400S	0	Powder Paint (Asa-61 Grey / Smooth)
1	STK-S-00100	0	3.5" x 2" Silver Milar Flexcon Sticker
1	STK-Q-03200	0	M6 x 8mm Hexagon/Slot Screw
1	9500U3DSS8411818_MC DB_ESY	0	9500U3DSS 84" Disconnect Defeater Bar
1	9500U3DSS8411818_MC CB	0	9500U3DSS 84" Closing Bar
1	9500U3DSS8411818_MC CB_ESY	0	9500U3DSS 84" Disconnect Closing Bar
1	9500U3DSS8411818_MC FDG	0	9500U3DSS 84" x 117.5" Lock Door Gasket
1	9500U3DSS8411818_MC FD-P	0	9500U3DSS 84" x 117.5" Lock Door Part
Qty	Part Name	Rev	Description

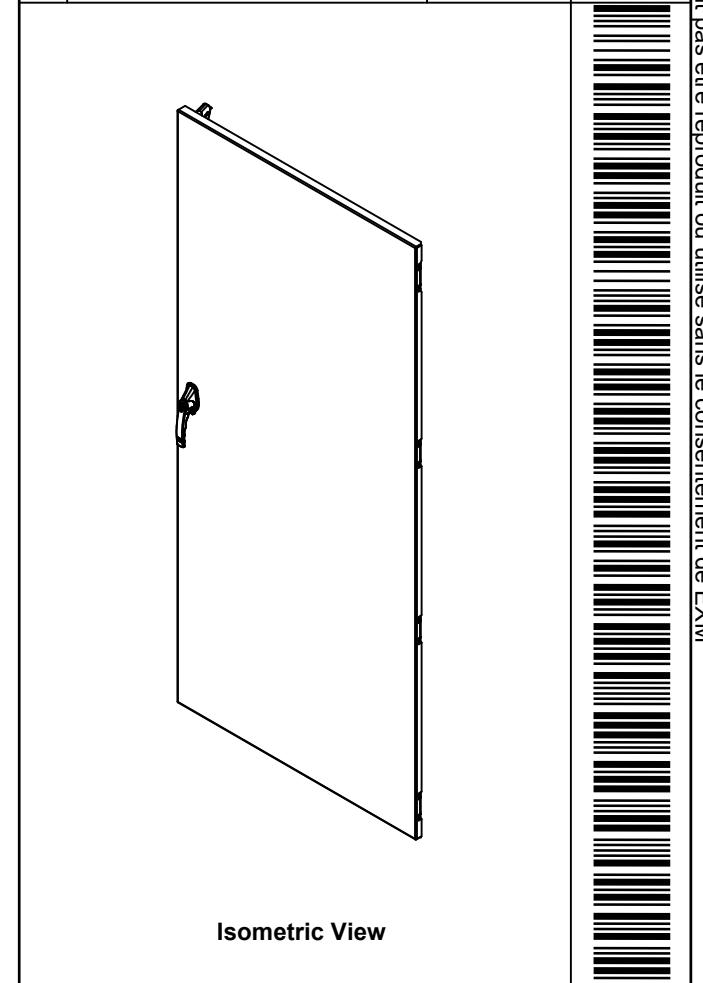
Parts List


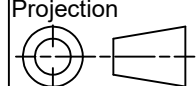
<p>Tél: (450) 979-4373 Fax: (450) 979-4626 www.exmweb.com</p>	Flatness Aplatissement	<p>Max 3.0mm</p>
	Projection	
Customer Client	Date	
Drawn By Dessiné Par	BoxCad: BoxCad	Date 16-Dec-19
Material Matière	12 Ga Stainless Steel 304 (2.5mm)	
Color Couleur	Asa-61 Grey	Finish Fini Smooth
Description	Detail Rev.	
9500U3DSS 84" x 117.5" Back Flange Door		
Part Number Numéro Pièce	Rev.	3
9500U3DSS8411818_MCFD	0	3

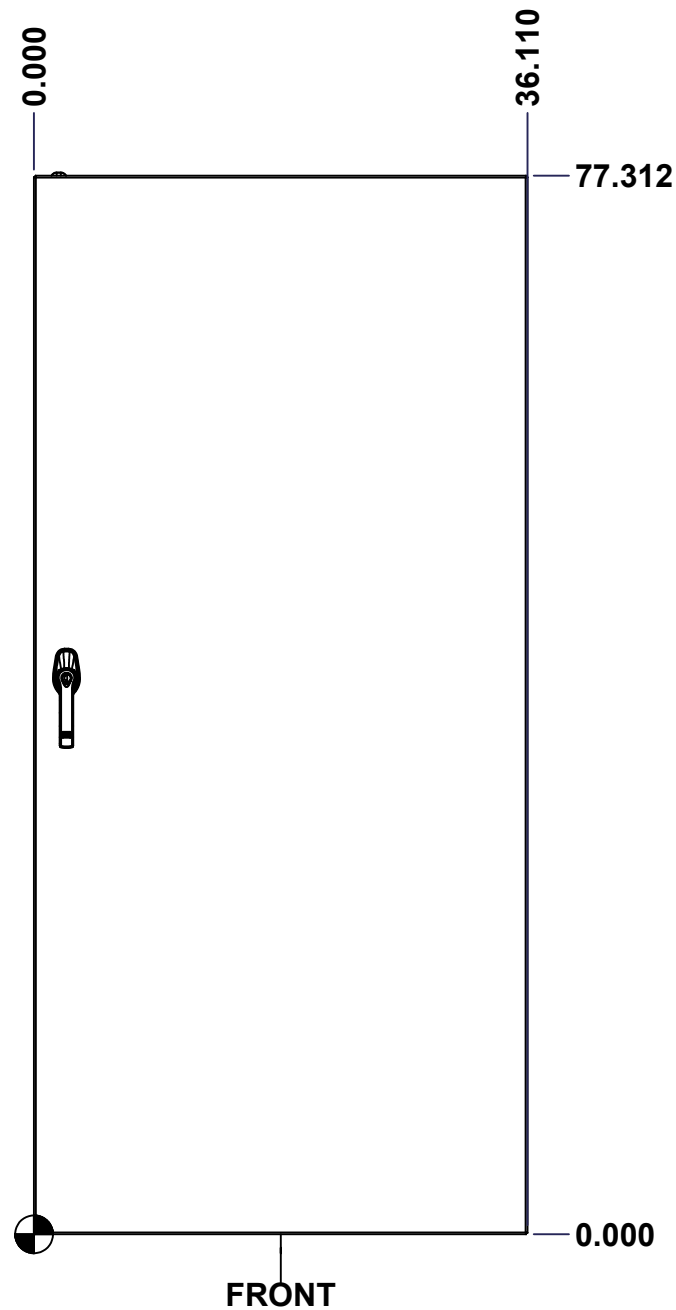
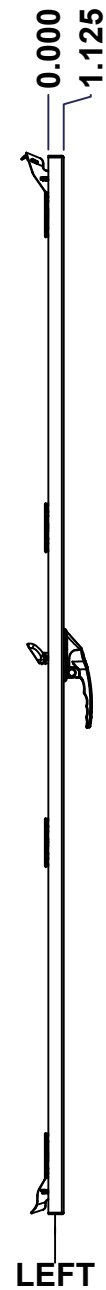
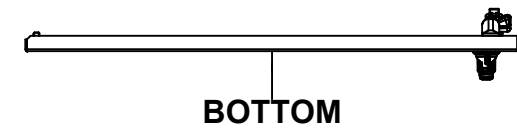
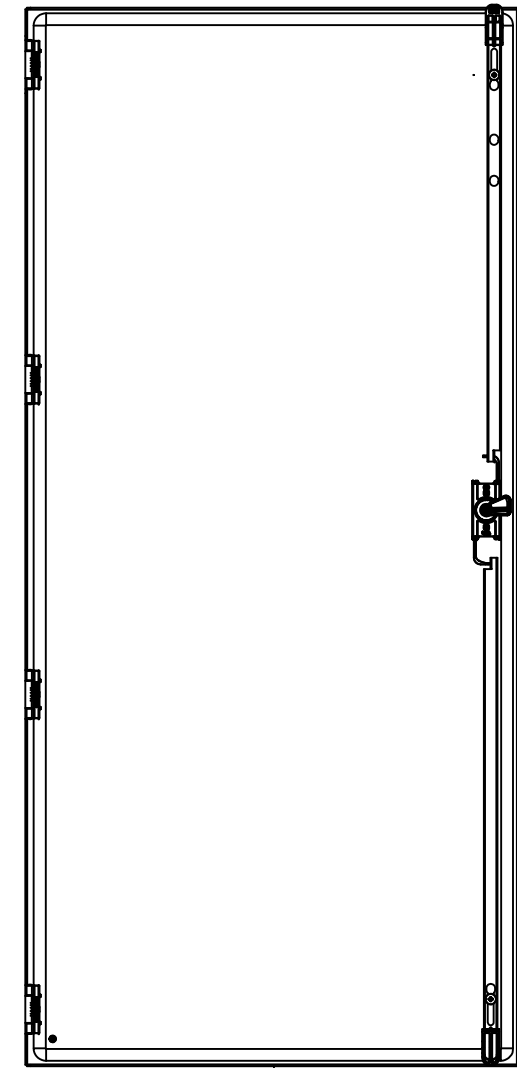
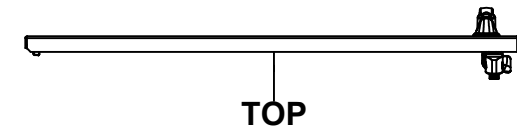
This drawing is confidential and must not be reproduced or used without the consent of EXM

Ce dessin est confidentiel et ne doit pas être reproduit ou utilisé sans le consentement de EXM

No.	Revisions	Date	By/Par



 Tél: (450) 979-4373 Fax: (450) 979-4626 www.exmweb.com		Flatness Aplatissement Max 3.0mm Projection 
Customer Client	Date	
Drawn By Dessiné Par	BoxCad: BoxCad	Date 16-Dec-19
Material Matière	12 Ga Stainless Steel 304 (2.5mm)	
Color Couleur	Asa-61 Grey	Finish Finis Smooth
Description	Detail Rev.	
9500U3DSS 84" x 117.5" Right Door		
Part Number Numéro Pièce	Rev. 0	1 3

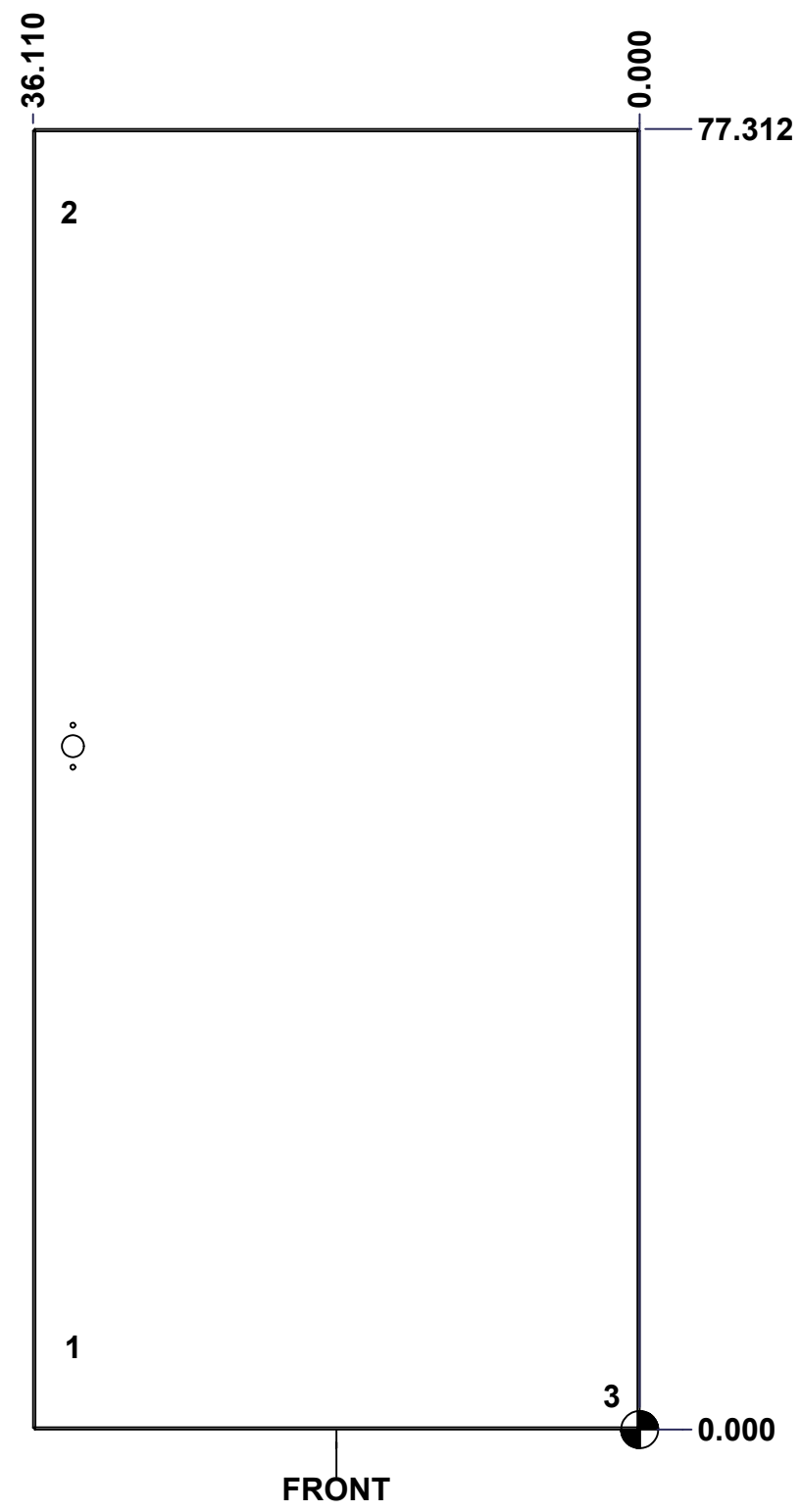


SEE BILL OF MATERIAL ON LAST PAGE 9500U3DSS8411818_MCRD

This drawing is confidential and must not be reproduced or used without the consent of EXM

Ce dessin est confidentiel et ne doit pas être reproduit ou utilisé sans le consentement de EXM

STANDARD FEATURES ARE NOT LISTED IN THIS HOLE TABLE			
HOLE TABLE - FRONT VIEW (CUSTOM FEATURE ONLY)			
CUT-OUT	XDIM	YDIM	DESCRIPTION
1	34.056	4.907	STUD M6 x 18mm (Inside)
2	34.306	72.405	STUD M6 x 18mm (Inside)
3	2.000	2.000	GND STUD M6 x 16mm (Inside)

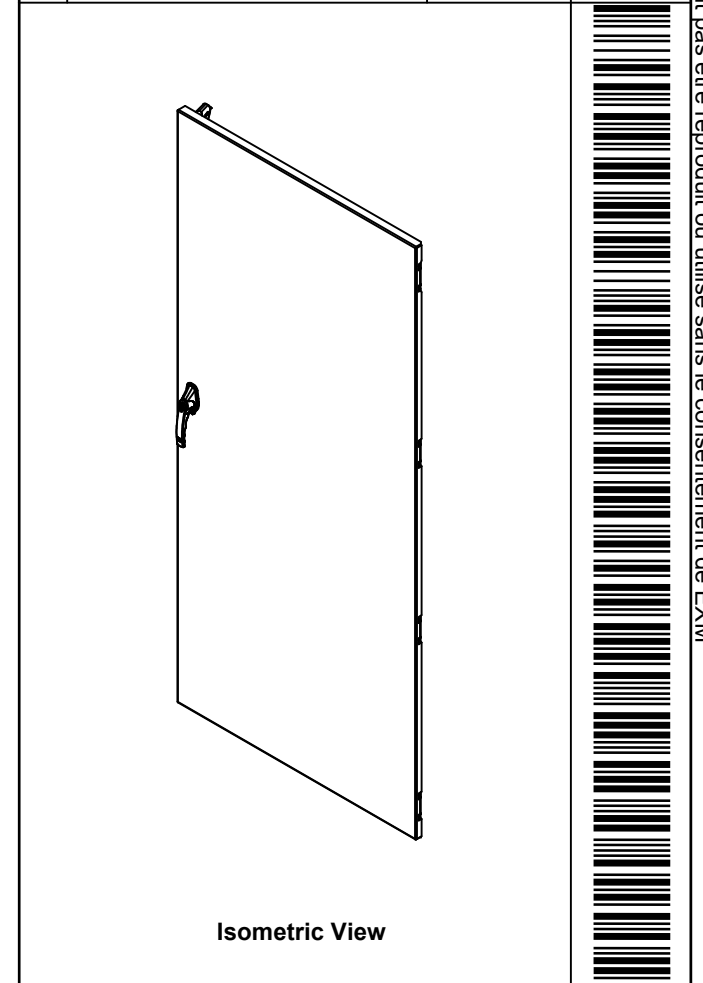


	Description	Status
	9500U3DSS 84" x 117.5" Lock Door	(NULL)
	Part Number Numéro Pièce	Rev.
	9500U3DSS8411818_MCRD	0
		2
		3

This drawing is confidential and must not be reproduced or used without the consent of EXM

Ce dessin est confidentiel et ne doit pas être reproduit ou utilisé sans le consentement de EXM

No.	Revisions	Date	By/Par



1	9500U3DSS8411818_MC CB	0	9500U3DSS 84" Closing Bar
1	9500U3DSS8411818_MC CB2ESY	0	9500U3DSS 84" Disconnect Closing Bar
1	885ESL2A-APHKSS	7	885 ESL2A-APHKSS - Stainless Steel L-Handle Padlockable Assy
1	9500U3DSS8411818_MC RDG	0	9500U3DSS 84" x 117.5" Lock Door Gasket
1	STK-P-02400S	0	Powder Paint (Asa-61 Grey / Smooth)
1	STK-K-03980-36	12	Gearbox Counter Clockwise Assembly (Grip 36mm)
1	STK-Q-16095	0	M6 x 16mm Stainless Steel Ground Stud
2	STK-Q-16070	1	Stud M6 x 18mm Stainless steel
1	9500U3DSS8411818_MC RD-P	0	9500U3DSS 84" x 117.5" Lock Door Part
4	STK-K-09870	7	Cabinet Hinge with Captive Pins
Qty	Part Name	Rev	Description

Parts List

Tél: (450) 979-4373
Fax: (450) 979-4626
www.exmweb.com

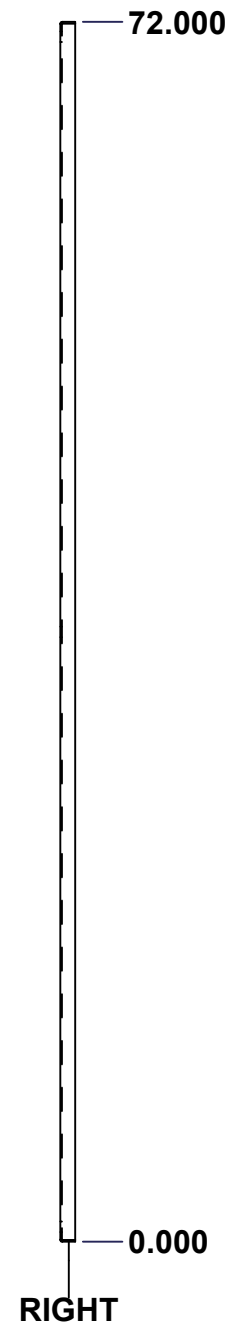
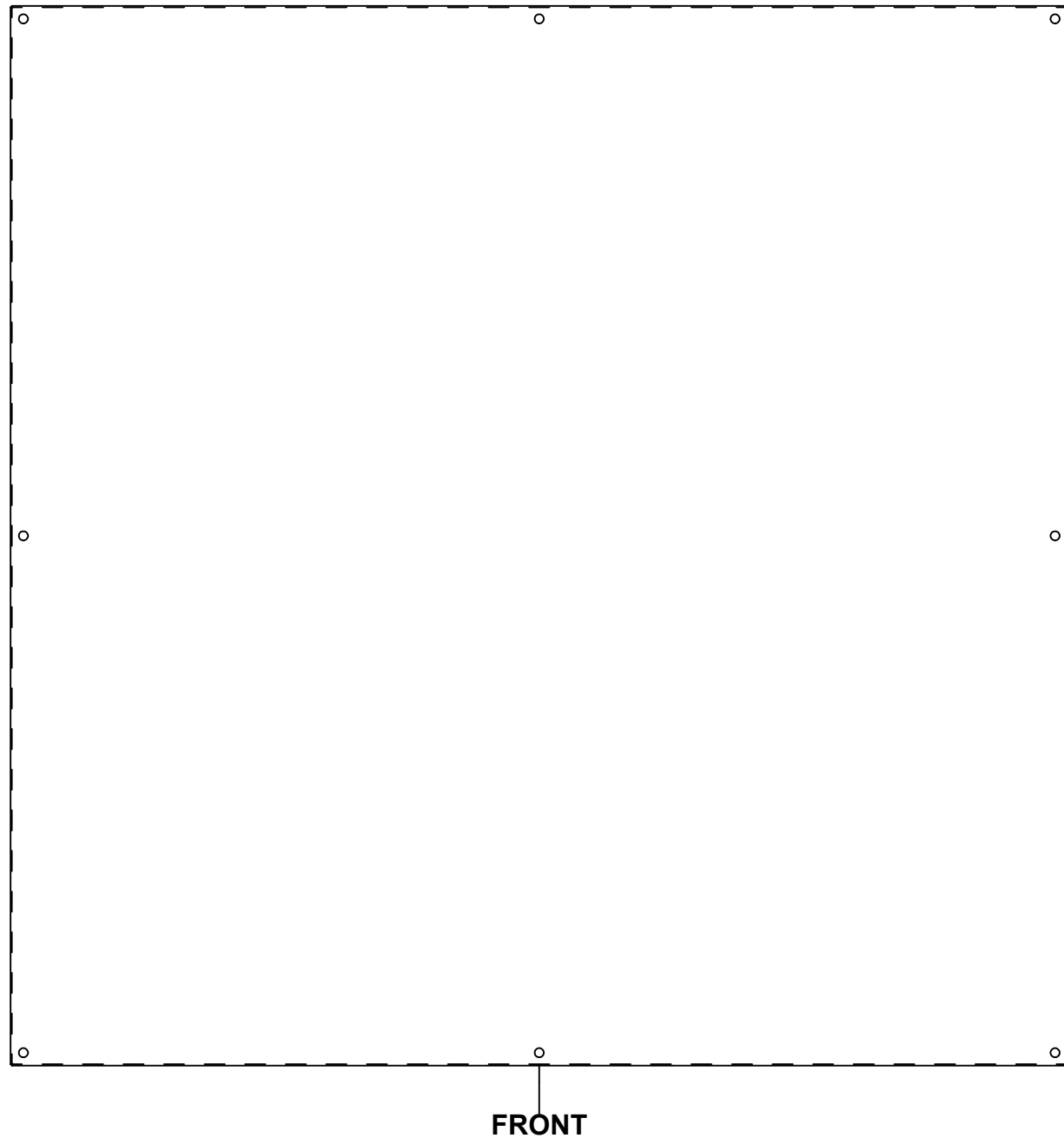
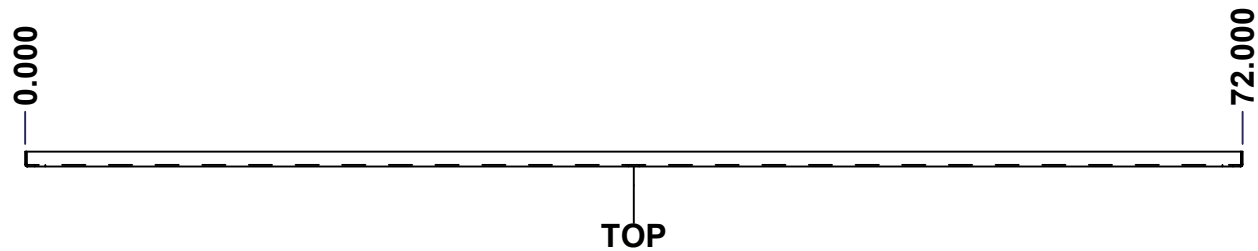
Flatness
Aplatissement
Max 3.0mm

Projection

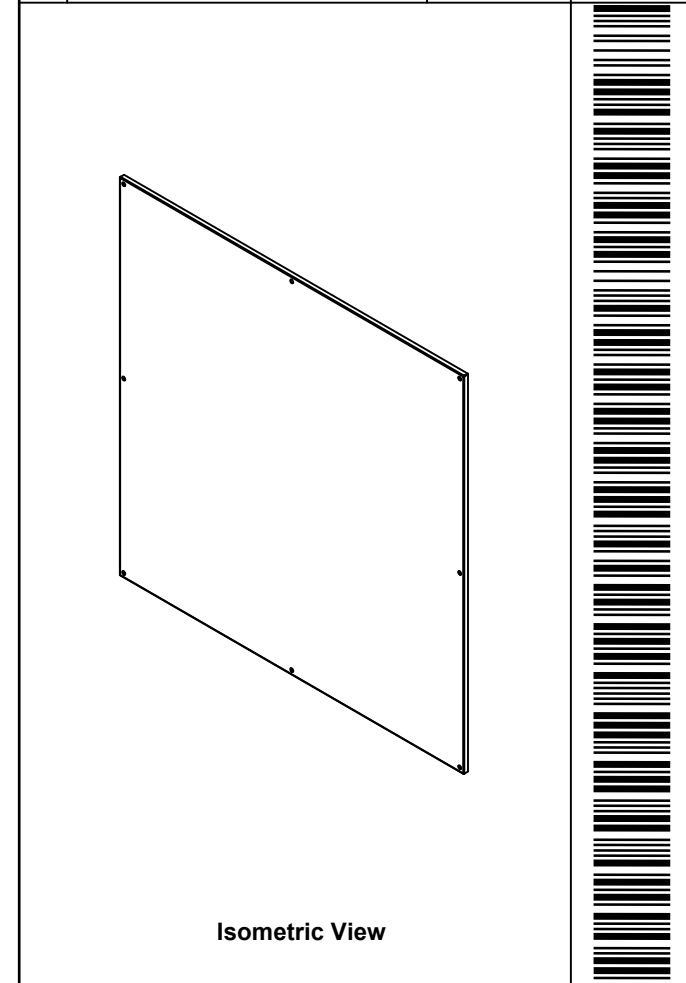
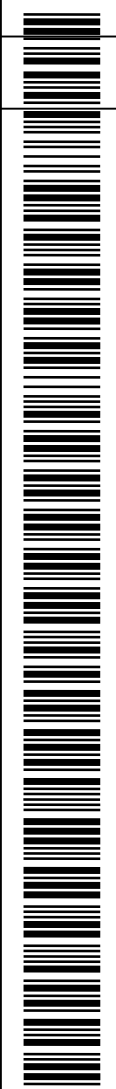
Customer Client	Date
Drawn By Dessiné Par BoxCad: BoxCad	Date 16-Dec-19
Material Matière 12 Ga Stainless Steel 304 (2.5mm)	
Color Couleur Asa-61 Grey	Finish Fini Smooth
Description 9500U3DSS 84" x 117.5" Right Door	Detail Rev.
Part Number Numéro Pièce 9500U3DSS8411818_MCRD	Rev. 0


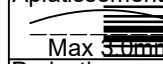
This drawing is confidential and must not be reproduced or used without the consent of EXM

Ce dessin est confidentiel et ne doit pas être reproduit ou utilisé sans le consentement de EXM



No.	Revisions	Date	By/Par



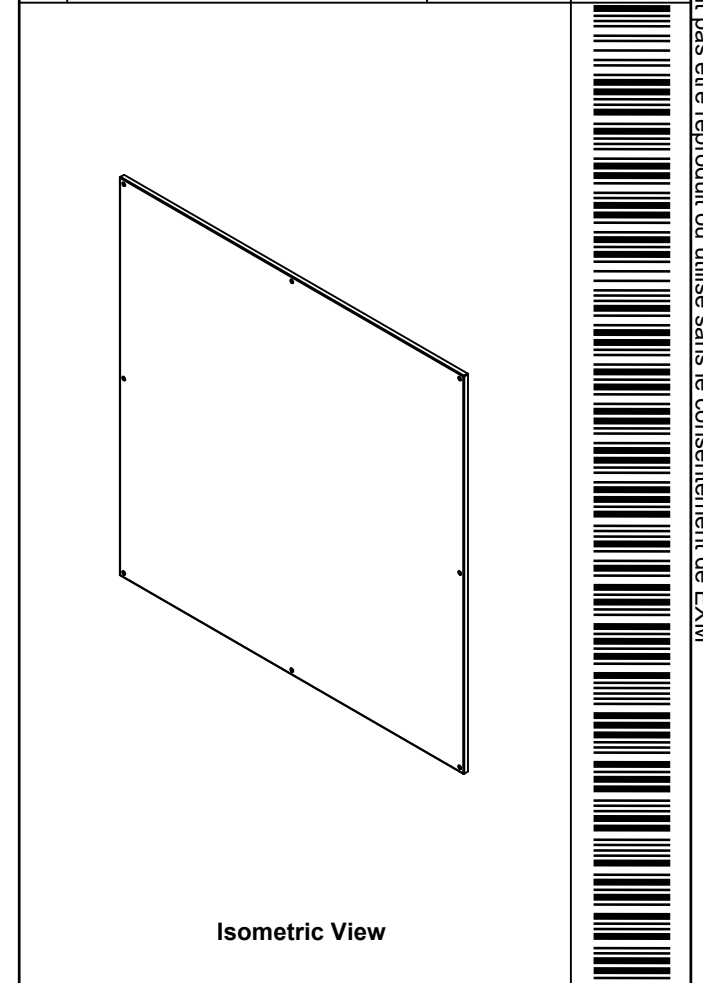
 Tél: (450) 979-4373 Fax: (450) 979-4626 www.exmweb.com		Flatness Aplatissement  Max 3.0mm
Customer Client		Date
Drawn By / Dessiné Par: BoxCad: BoxCad		Date: 16-Dec-19
Material / Matière: 12 Ga Galvanized (2.5mm)		
Color / Couleur: Unpainted	Finish / Fini: Smooth	
Description: 9500U3DSS 84" x 117.5" Inner Panel		Detail Rev.
Part Number / Numéro Pièce: 9500U3DSS8411818_MCIP		Rev. 1 0

SEE BILL OF MATERIAL ON LAST PAGE

This drawing is confidential and must not be reproduced or used without the consent of EXM

Ce dessin est confidentiel et ne doit pas être reproduit ou utilisé sans le consentement de EXM

No.	Revisions	Date	By/Par



Tél: (450) 979-4373 Fax: (450) 979-4626 www.exmweb.com		Flatness Aplatissement
		Max 3.0mm
Projection		
Customer Client		Date
Drawn By Dessiné Par	BoxCad: BoxCad	Date 16-Dec-19
Material Matière 12 Ga Galvanized (2.5mm)		
Color Couleur	Unpainted	Finish Fini Smooth
Description 9500U3DSS 84" x 117.5" Inner Panel		Detail Rev.
Part Number Numéro Pièce 9500U3DSS8411818_MCIP		Rev. 0

Qty	Part Number	Rev	Description
1	9500U3DSS8411818_MCI P-P	0	9500U3DSS 84" x 117.5" Inner Panel Part
Parts List			

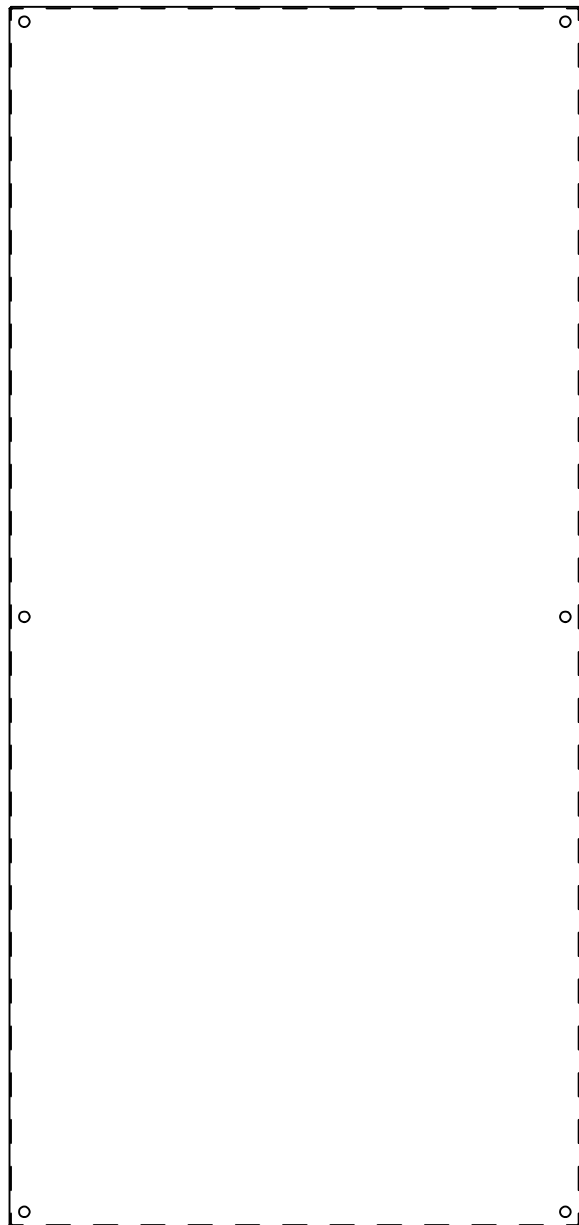
Rev. 3
0
3

This drawing is confidential and must not be reproduced or used without the consent of EXM

Ce dessin est confidentiel et ne doit pas être reproduit ou utilisé sans le consentement de EXM



TOP



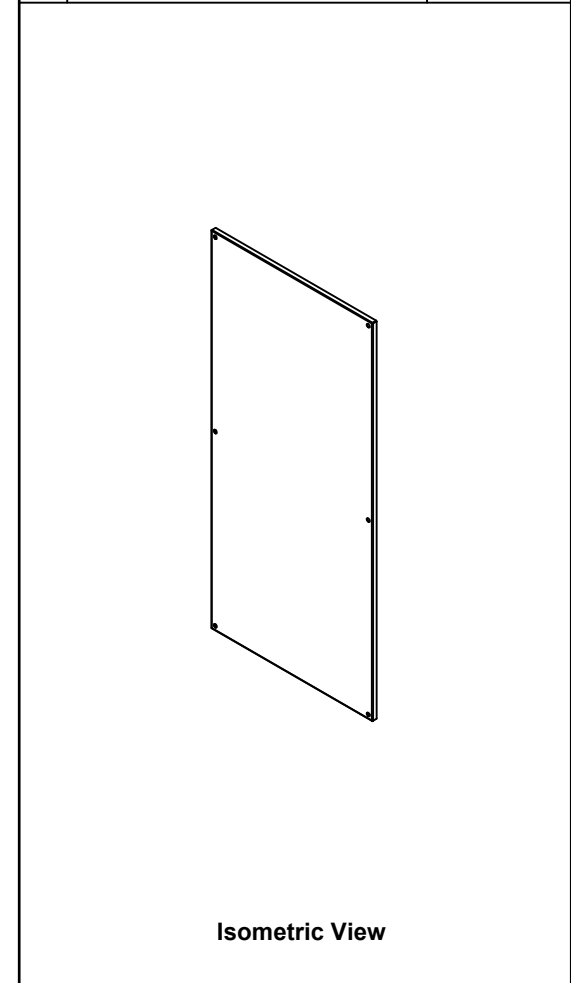
FRONT

72.000

0.000

RIGHT

No.	Revisions	Date	By/Par



Isometric View

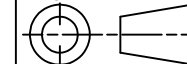


Tél: (450) 979-4373
 Fax: (450) 979-4626
www.exmweb.com

Flatness
Aplatissement

Max 3.0mm

Projection



Customer Client	Date
Drawn By / Dessiné Par: BoxCad: BoxCad	Date: 16-Dec-19
Material / Matière: 12 Ga Galvanized (2.5mm)	
Color / Couleur: Unpainted	Finish / Fini: Smooth

Description: 9500U3DSS 84" x 117.5" Inner Panel

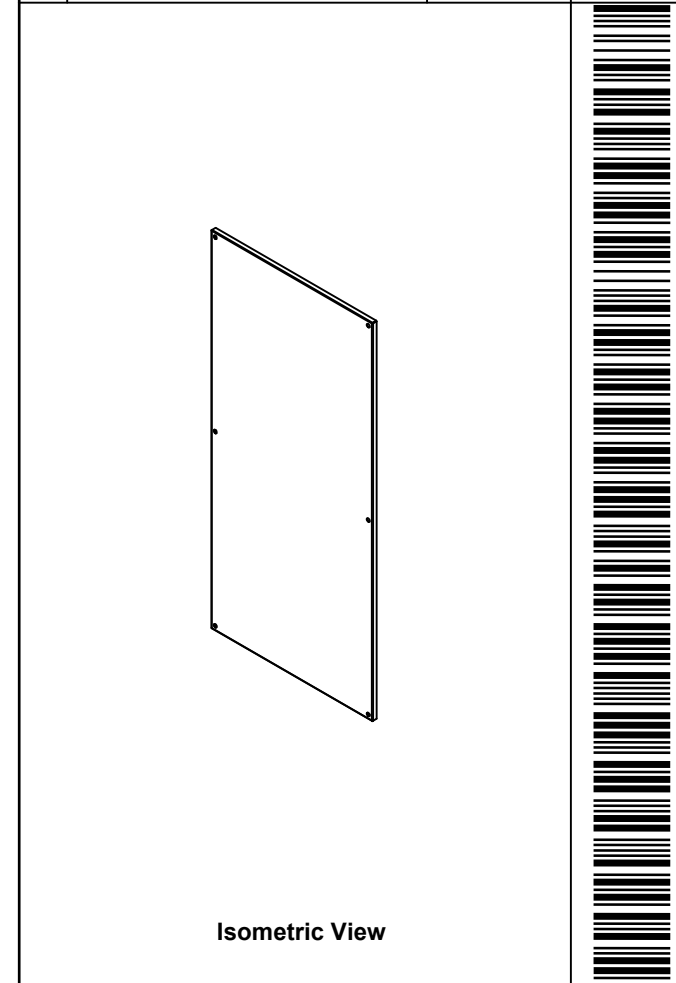
Part Number / Numéro Pièce: 9500U3DSS8411818_MC12	Rev. 0	1 / 3
---	--------	-------

SEE BILL OF MATERIAL ON LAST PAGE

This drawing is confidential and must not be reproduced or used without the consent of EXM

Ce dessin est confidentiel et ne doit pas être reproduit ou utilisé sans le consentement de EXM

No.	Revisions	Date	By/Par



Tél: (450) 979-4373 Fax: (450) 979-4626 www.exmweb.com		Flatness / Aplatissement Max 3.0mm	
		Projection 	
Customer Client		Date	
Drawn By / Dessiné Par: BoxCad: BoxCad		Date: 16-Dec-19	
Material / Matière: 12 Ga Galvanized (2.5mm)			
Color / Couleur: Unpainted		Finish / Fini: Smooth	
Description: 9500U3DSS 84" x 117.5" Inner Panel			Detail Rev.
Part Number / Numéro Pièce: 9500U3DSS8411818_MCI2		Rev.:	3

Qty	Part Number	Rev	Description
1	9500U3DSS8411818_MCI P-2	0	9500U3DSS 84" x 117.5" Inner Panel Part
Parts List			