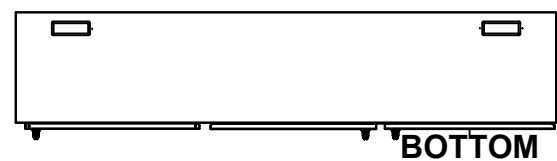
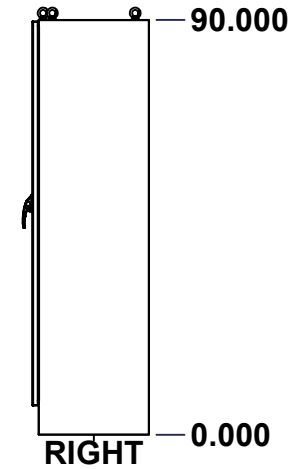
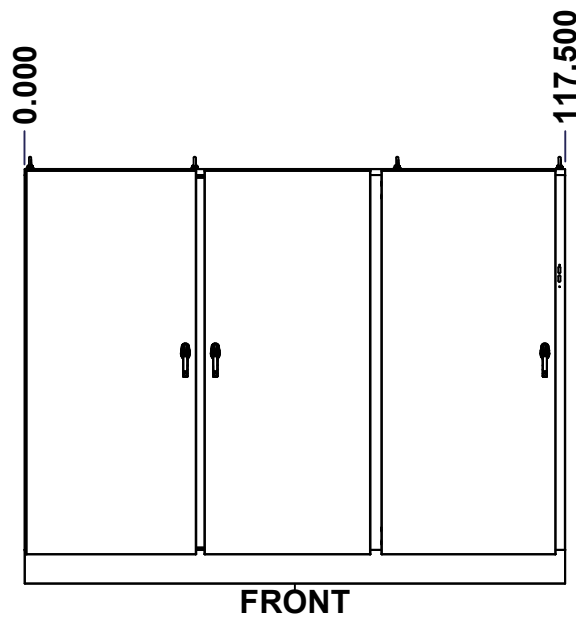
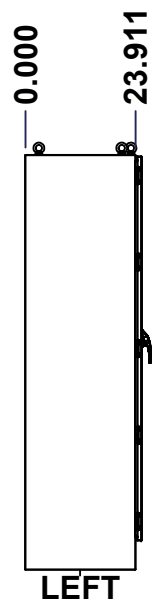
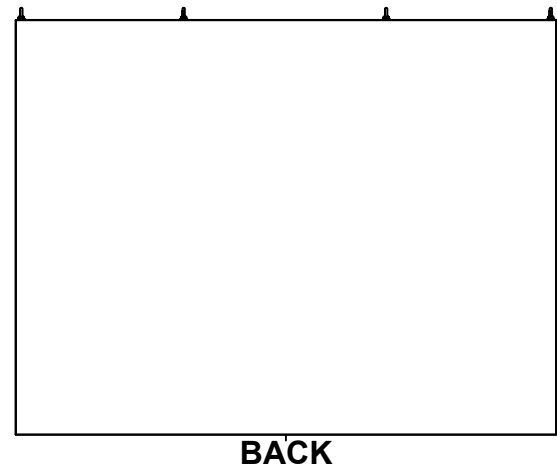
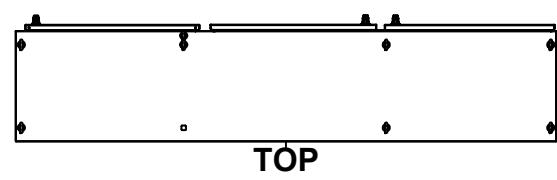
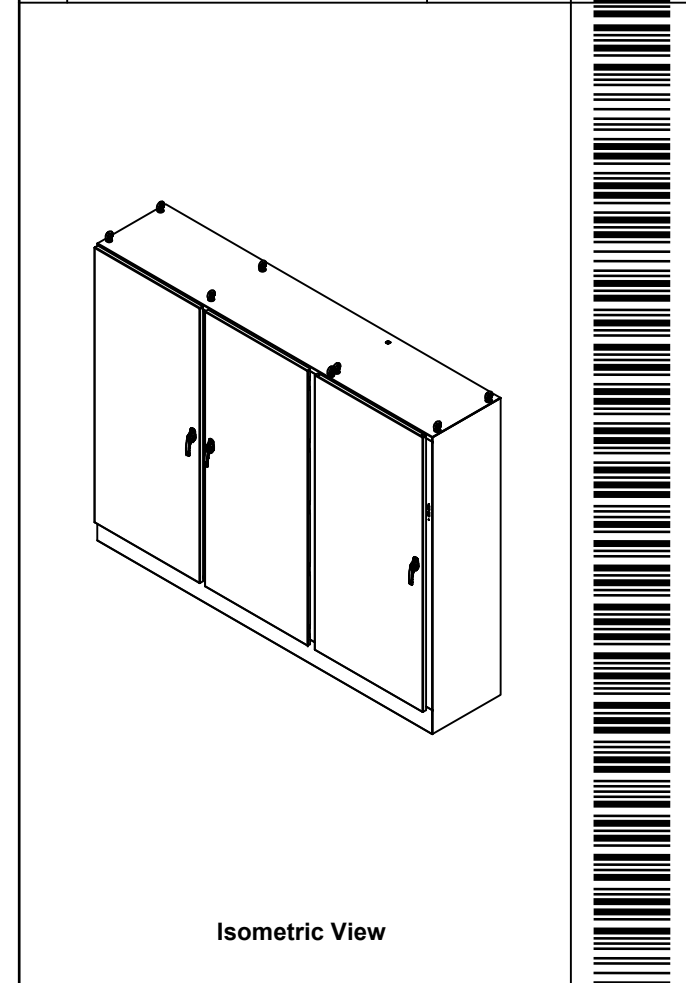



This drawing is confidential and must not be reproduced or used without the consent of EXM

Ce dessin est confidentiel et ne doit pas être reproduit ou utilisé sans le consentement de EXM



No.	Revisions	Date	By/Par



 Tél: (450) 979-4373 Fax: (450) 979-4626 www.exmweb.com		Flatness Aplatissement
		Max 3.0mm
Customer Client		Date
Drawn By Dessiné Par BoxCad: BoxCad		Date 16-Dec-19
Material Matière 12 Ga Stainless Steel 304 (2.5mm)		
Color Couleur Asa-61 Grey	Finish Fini Smooth	
Description 9500U3DSS 90" x 117.5" x 24" Assembly		Detail Rev.
Part Number Numéro Pièce 9500UDSS9011824_MC		Rev. 1 2

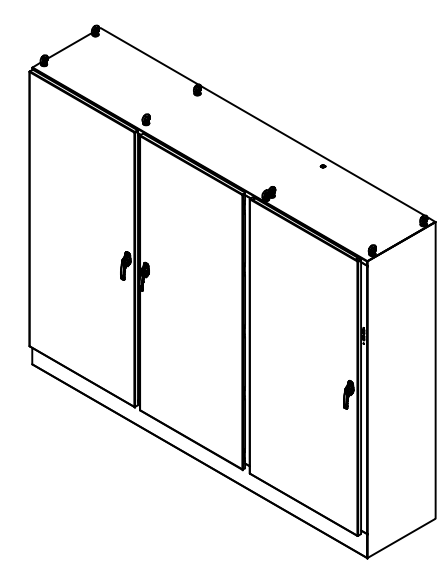
SEE BILL OF MATERIAL ON LAST PAGE

This drawing is confidential and must not be reproduced or used without the consent of EXM

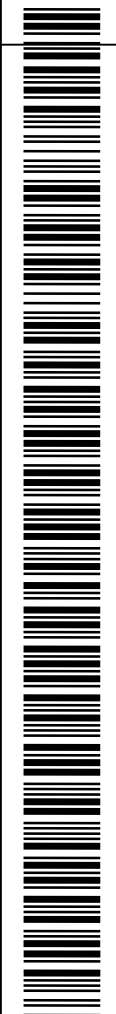
Ce dessin est confidentiel et ne doit pas être reproduit ou utilisé sans le consentement de EXM

NOTE	
ITEM	DESCRIPTION
1	NEMA 12/13 Enclosure
2	C/W Standard ground studs on box and cover
3	W/O Standard door stiffener
4	C/W Special inner panel (Sold separately)
5	C/W Standard inner panel mounting studs
6	C/W Eyebolts sold separately (Not installed)
7	C/W 885 ESL2A-APHKSS (Kit)

No.	Revisions	Date	By/Par




Isometric View



PACKING		
ITEM	QTY	DESCRIPTION
Cardboard sleeve	2	Top and Bottom
Cardboard strip	2	Between back of enclosure and inner panel
Plastic bag	1	To protect cover surface and inside gasket
Cardboard corner	4	To reinforced for the plastic strap tightening
Plastic strap - Black	2	To Squeeze 2 cardboard sleeve together
Packaging label	3	White label with PN
Plastic strap- Green	2	To secure the enclosure to the wood pallet
Wood Pallet	1	2" deeper and 3" larger than enclosure size

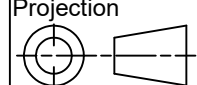
14	STK-Q-07320	0	Flange Lock Nut M10
1	9500UDSS9011824_MCIP	0	9500U3DSS 90" x 117.5" Inner Panel
10	STK-Q-07620	0	M10 Plastic Spacer 0.875"
1	9500UDSS9011824_MCI2	0	9500U3DSS 90" x 117.5" Inner Panel
1	9500UDSS9011824_MCF D	0	9500U3DSS 90" x 117.5" Back Flange Door
1	9500UDSS9011824_MCR D	0	9500U3DSS 90" x 117.5" Right Door
1	9500UDSS9011824_MCL D	0	9500U3DSS 90" x 117.5" Back Lock Door
1	9500UDSS9011824_MCB	0	9500U3DSS 90" x 117.5" x 24" Body
5	STK-Q-04051-10	8	M6 Hexagon Socket Head Machine Screw with Nyseal
4	880EB14SS	2	Stainless Steel Eye Bolt M14 (Pack of 2)
2	9500UDSS9011824_MCG P	0	9500U3DSS Gland Plate
Qty	Part Number	Rev	Description
Parts List			



Tél: (450) 979-4373
Fax: (450) 979-4626
www.exmweb.com

Flatness
Aplatissement
Max 3.0mm

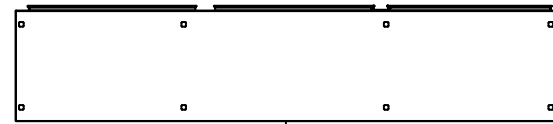
Projection



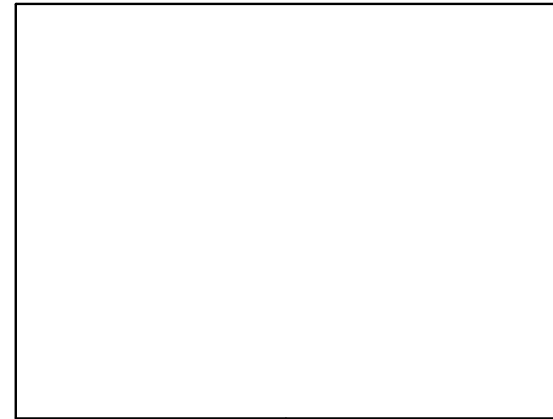
Customer Client	Date
Drawn By Dessiné Par BoxCad: BoxCad	Date 16-Dec-19
Material Matière 12 Ga Stainless Steel 304 (2.5mm)	
Color Couleur Asa-61 Grey	Finish Fini Smooth
Description 9500U3DSS 90" x 117.5" x 24" Assembly	Detail Rev.
Part Number Numéro Pièce 9500UDSS9011824_MC	Rev. 0

This drawing is confidential and must not be reproduced or used without the consent of EXM

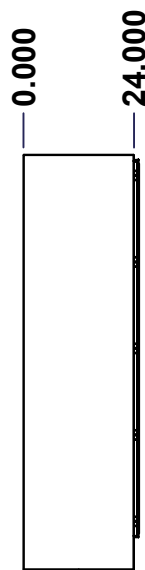
Ce dessin est confidentiel et ne doit pas être reproduit ou utilisé sans le consentement de EXM



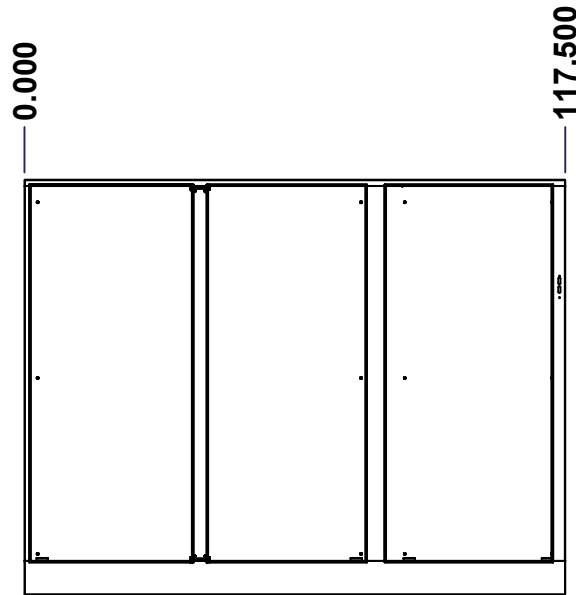
TOP



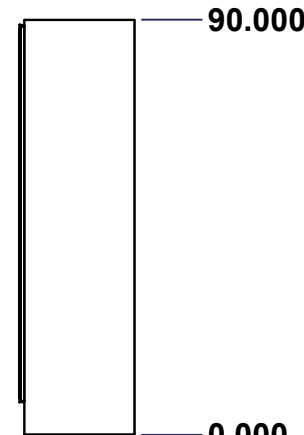
BACK



LEFT



FRONT

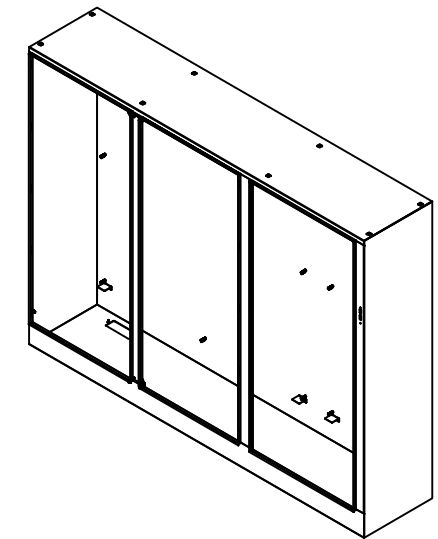


RIGHT



BOTTOM

No.	Revisions	Date	By/Par



Isometric View



Tél: (450) 979-4373
 Fax: (450) 979-4626
www.exmweb.com

Flatness
Aplatisse

Max 3.0mm

Projection

Customer Client	Date
Drawn By / Dessiné Par: BoxCad: BoxCad	Date: 16-Dec-19
Material / Matière: 12 Ga Stainless Steel 304 (2.5mm)	
Color / Couleur: Asa-61 Grey	Finish / Fini: Smooth
Description: 9500U3DSS 90" x 117.5" x 24" Body	Detail Rev.

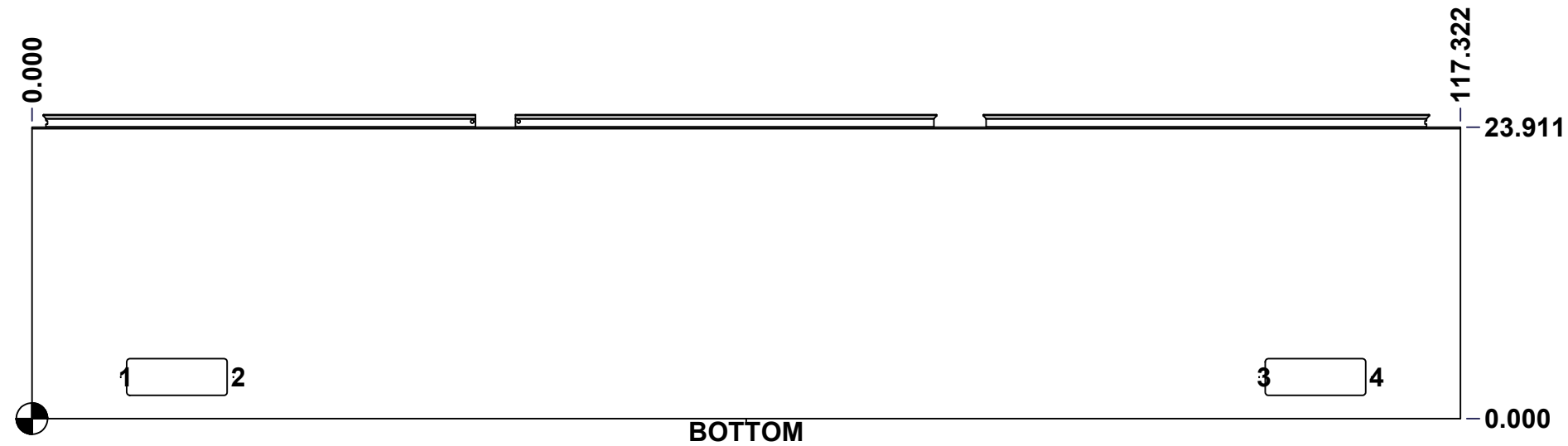
Part Number / Numéro Pièce: 9500UDSS9011824_MCB	Rev. 0	1	2
---	--------	---	---

SEE BILL OF MATERIAL ON LAST PAGE

This drawing is confidential and must not be reproduced or used without the consent of EXM

Ce dessin est confidentiel et ne doit pas être reproduit ou utilisé sans le consentement de EXM

STANDARD FEATURES ARE NOT LISTED IN THIS HOLE TABLE			
HOLE TABLE - BOTTOM VIEW (CUSTOM FEATURE ONLY)			
CUT-OUT	XDIM	YDIM	DESCRIPTION
1	7.286	3.411	GP STUD M6 x 16mm (Inside)
2	16.536	3.411	GP STUD M6 x 16mm (Inside)
3	100.786	3.411	GP STUD M6 x 16mm (Inside)
4	110.036	3.411	GP STUD M6 x 16mm (Inside)



	Description	Status	
	9500U3DSS 90" x 117.5" x 24" Body	Released	
	Part Number Numéro Pièce	Rev.	
	9500UDSS9011824_MCB	0	4 / 7

This drawing is confidential and must not be reproduced or used without the consent of EXM

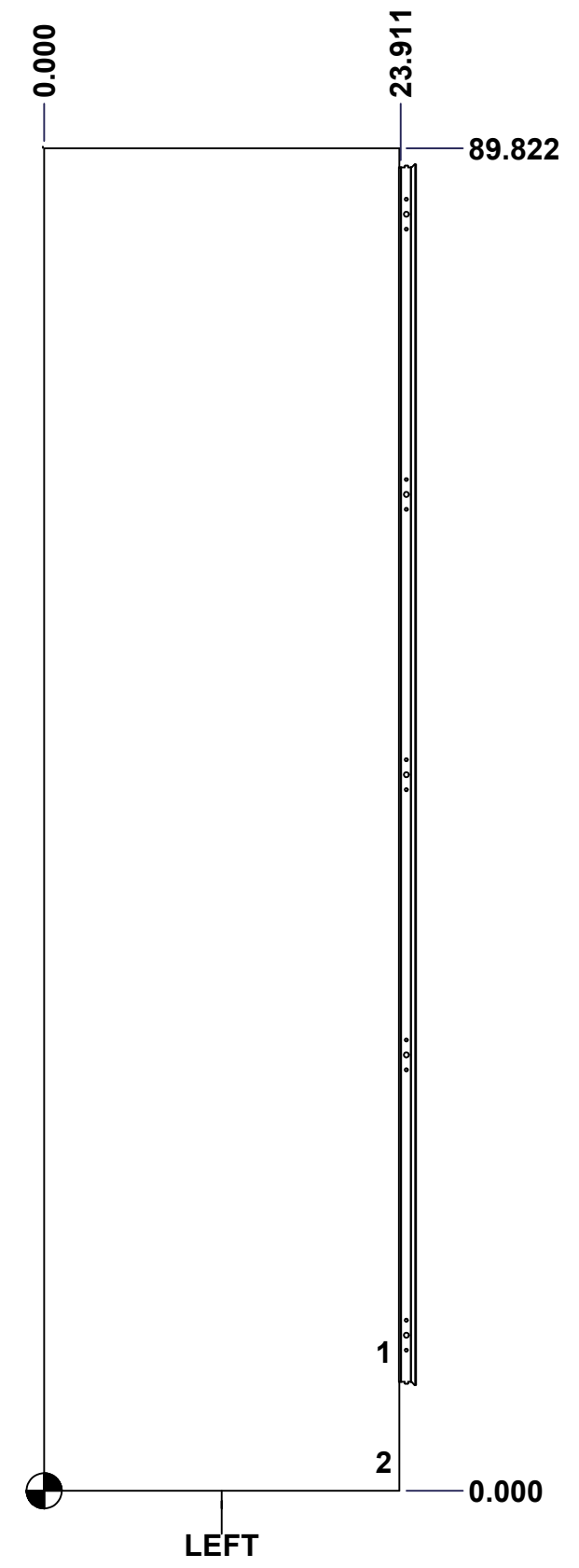
Ce dessin est confidentiel et ne doit pas être reproduit ou utilisé sans le consentement de EXM

STANDARD FEATURES ARE NOT LISTED IN THIS HOLE TABLE

HOLE TABLE - LEFT VIEW (CUSTOM FEATURE ONLY)

CUT-OUT	XDIM	YDIM	DESCRIPTION
1	22.411	9.286	GND STUD M6 x 16mm (Inside)

2	22.411	1.911	GND STUD M6 x 16mm (Inside)



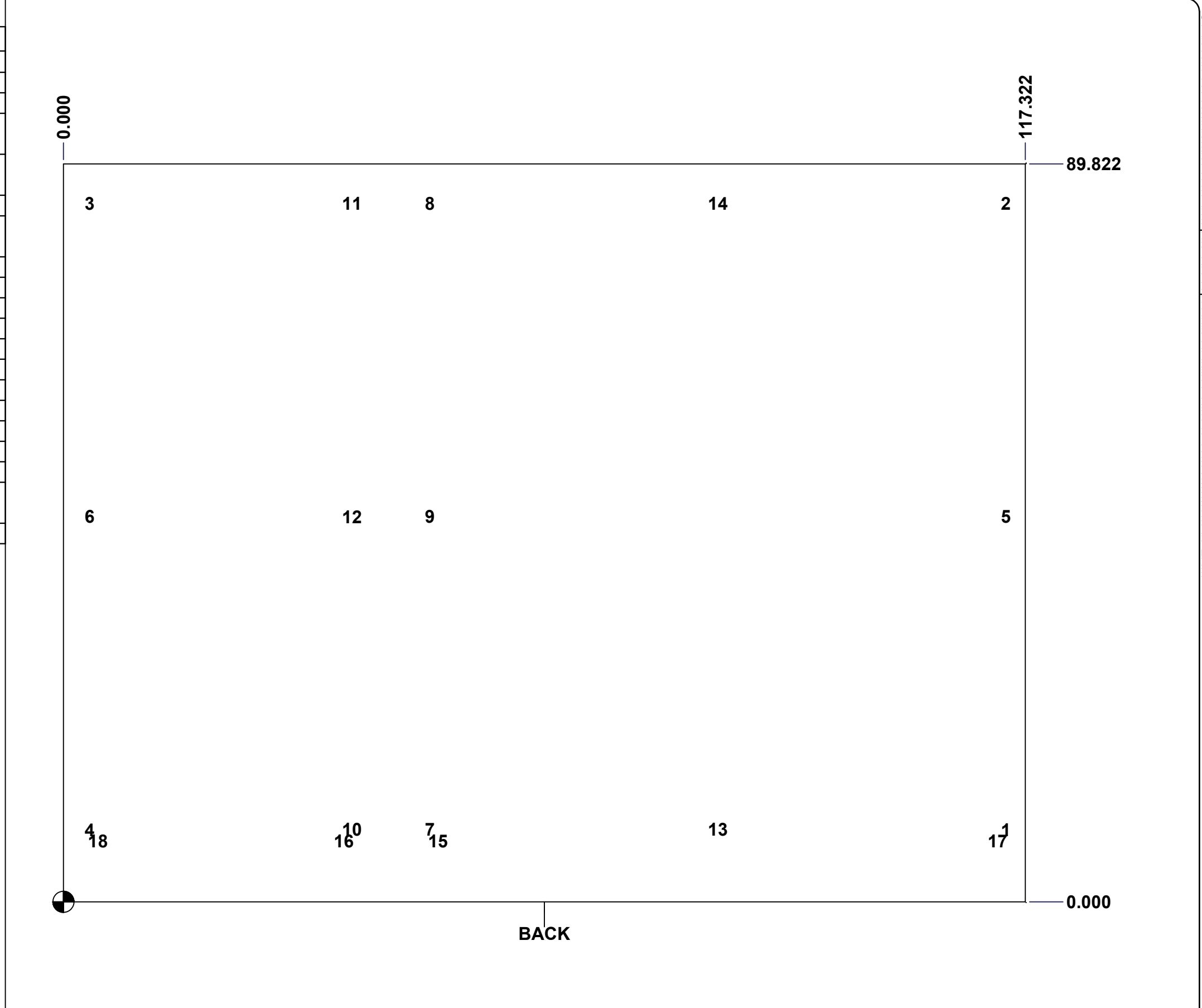
	Description	Status	
	9500U3DSS 90" x 117.5" x 24" Body	Released	
	Part Number Numéro Pièce	Rev.	
	9500UDSS9011824_MCB	0	5 / 7

This drawing is confidential and must not be reproduced or used without the consent of EXM

Ce dessin est confidentiel et ne doit pas être reproduit ou utilisé sans le consentement de EXM

STANDARD FEATURES ARE NOT LISTED IN THIS HOLE TABLE			
HOLE TABLE - BACK VIEW (CUSTOM FEATURE ONLY)			
CUT-OUT	XDIM	YDIM	DESCRIPTION
1	2.786	8.786	IP STUD M10 x 40mm (Inside)
2	2.786	85.036	IP STUD M10 x 40mm (Inside)
3	114.536	85.036	IP STUD M10 x 40mm (Inside)
4	114.536	8.786	IP STUD M10 x 40mm (Inside)
5	2.786	46.911	IP STUD M10 x 40mm (Inside)
6	114.536	46.911	IP STUD M10 x 40mm (Inside)
7	73.036	8.786	IP STUD M10 x 40mm (Inside)
8	73.036	85.036	IP STUD M10 x 40mm (Inside)
9	73.036	46.911	IP STUD M10 x 40mm (Inside)
10	82.536	8.786	IP STUD M10 x 40mm (Inside)
11	82.536	85.036	IP STUD M10 x 40mm (Inside)
12	82.536	46.911	IP STUD M10 x 40mm (Inside)
13	37.911	8.786	IP STUD M10 x 40mm (Inside)
14	37.911	85.036	IP STUD M10 x 40mm (Inside)

15	45.286	7.411	IP SUPPORT ANGLE (Inside)
16	33.786	7.411	IP SUPPORT ANGLE (Inside)
17	113.536	7.411	IP SUPPORT ANGLE (Inside)
18	3.786	7.411	IP SUPPORT ANGLE (Inside)



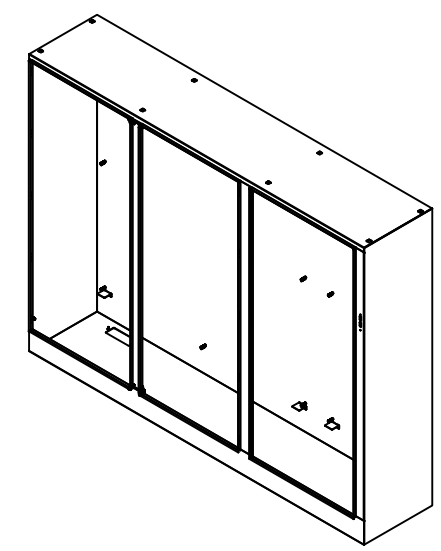
	Description	Status
	9500U3DSS 90" x 117.5" x 24" Body	Released
	Part Number Numéro Pièce	Rev.
	9500UDSS9011824_MCB	0
		6
		7

This drawing is confidential and must not be reproduced or used without the consent of EXM

Ce dessin est confidentiel et ne doit pas être reproduit ou utilisé sans le consentement de EXM

NOTE	
ITEM	DESCRIPTION
1	NEMA 12/13 Enclosure
2	C/W Standard ground studs on box and cover
3	W/O Standard door stiffener
4	C/W Special inner panel (Sold seperately)
5	C/W Standard inner panel mounting studs

No.	Revisions	Date	By/Par



Isometric View

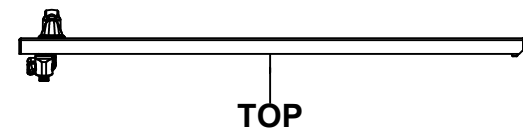


1	STK-Q-16085	0	Ground Stud M6 x 16mm Stainless Steel
4	9500UDSS9011824_MCB PA-P	0	9500U3DSS Inner Panel Support Angle
1	STK-P-02400S	0	Powder Paint (Asa-61 Grey / Smooth)
1	9500UDSS9011824_MCC P-1	0	9500U3DSS 24" Lifting Angle Part
1	9500UDSS9011824_MCC P-P	0	9500U3DSS 24" Lifting Angle Part
2	STK-K-12100	0	Center Post Support
1	9500UDSS9011824_MCB T-P	0	9500U3DSS 117.5" x 24" Bottom Part
4	9500UDSS9011824_MCL A-P	0	9500U3DSS 24" Lifting Angle Part
1	STK-Q-52500-36	0	Stainless Steel 304 Sasco Strut S5 (33.500" Long)
1	9500UDSS9011824_MCT-P	0	9500U3DSS 117.5" x 24" Top Part
1	9500UDSS9011824_MCR S-P	0	9500U3DSS 90" x 117.5" Right Part
14	STK-Q-16120	0	Stud M10 x 40mm Stainless Steel
5	STK-Q-16095	0	M6 x 16mm Stainless Steel Ground Stud
1	9500UDSS9011824_MCL S-P	0	9500U3DSS 90" x 117.5" Left Part
1	9500UDSS9011824_MCB-P	0	9500U3DSS 90" x 117.5" Back Part
Qty	Part Number	Rev	Description
Parts List			

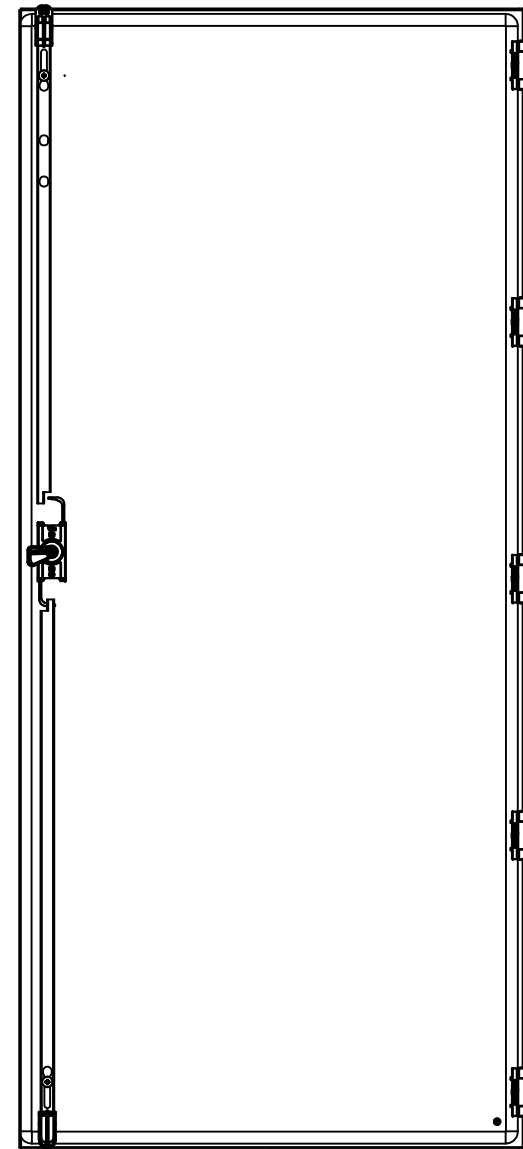
	Tél: (450) 979-4373 Fax: (450) 979-4626 www.exmweb.com	Flatness Aplatissement Max 3.0mm
	Projection	
Customer Client	Date	
Drawn By / Dessiné Par: BoxCad: BoxCad	Date: 16-Dec-19	
Material / Matière: 12 Ga Stainless Steel 304 (2.5mm)		
Color / Couleur: Asa-61 Grey	Finish / Fini: Smooth	
Description: 9500U3DSS 90" x 117.5" x 24" Body	Detail Rev.	
Part Number / Numéro Pièce: 9500UDSS9011824_MCB	Rev. 0	2

This drawing is confidential and must not be reproduced or used without the consent of EXM

Ce dessin est confidentiel et ne doit pas être reproduit ou utilisé sans le consentement de EXM



TOP



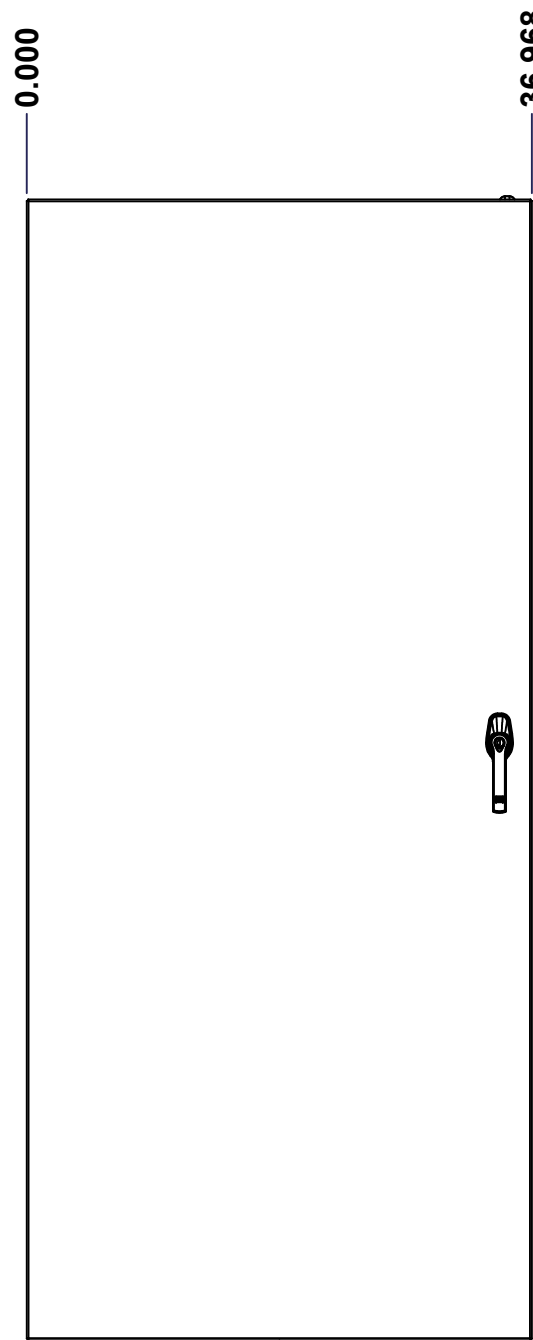
BACK



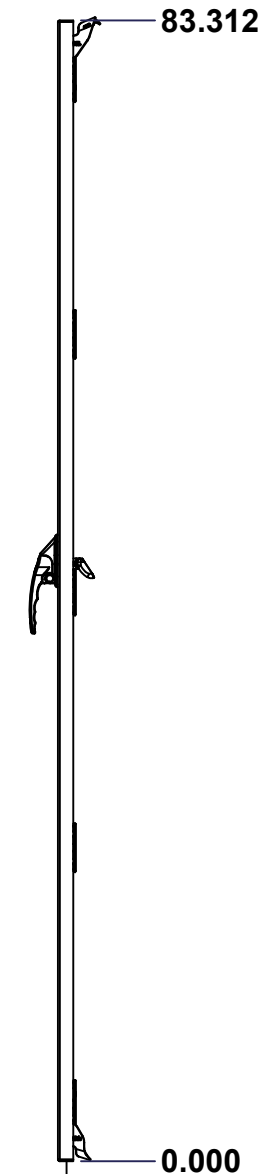
BOTTOM



LEFT



FRONT



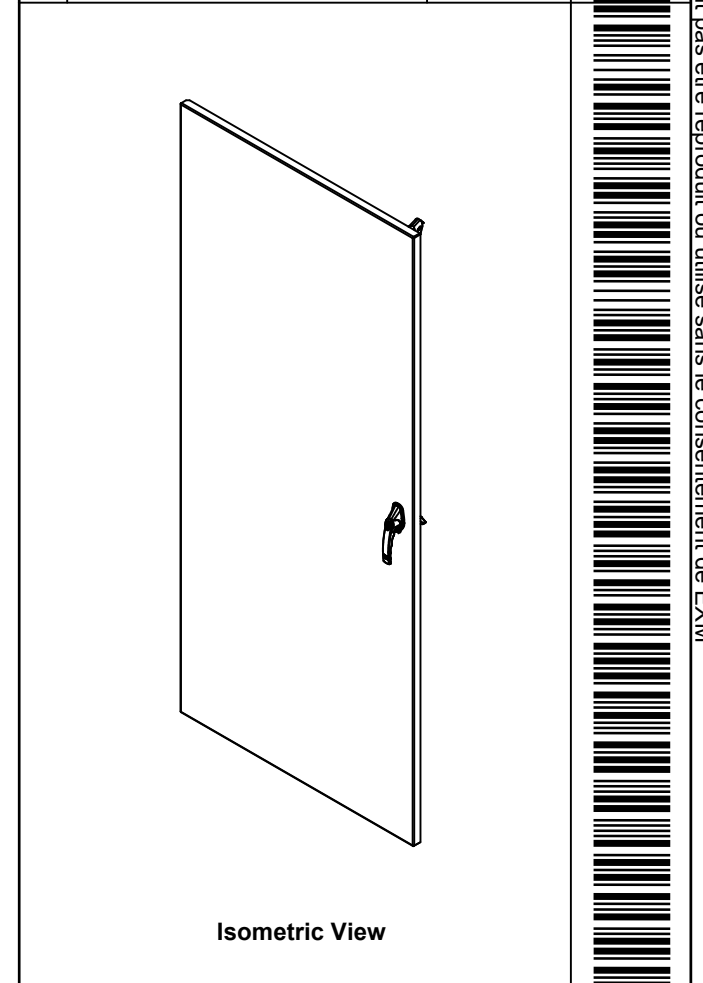
RIGHT

0.000
1.125
0.000
36.968

83.312

0.000

No.	Revisions	Date	By/Par

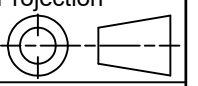


Isometric View



		Flatness Aplatissement Max 3.0mm Projection	
Customer Client		Date	
Drawn By Dessiné Par BoxCad: BoxCad		Date 16-Dec-19	
Material Matière 12 Ga Stainless Steel 304 (2.5mm)		Color Couleur Asa-61 Grey	
Description 9500U3DSS 90" x 117.5" Back Lock Door		Finish Fini Smooth	
Part Number Numéro Pièce 9500UDSS9011824_MCLD		Detail Rev.	
SEE BILL OF MATERIAL ON LAST PAGE		Rev. 0	1 3

Tél: (450) 979-4373
Fax: (450) 979-4626
www.exmweb.com



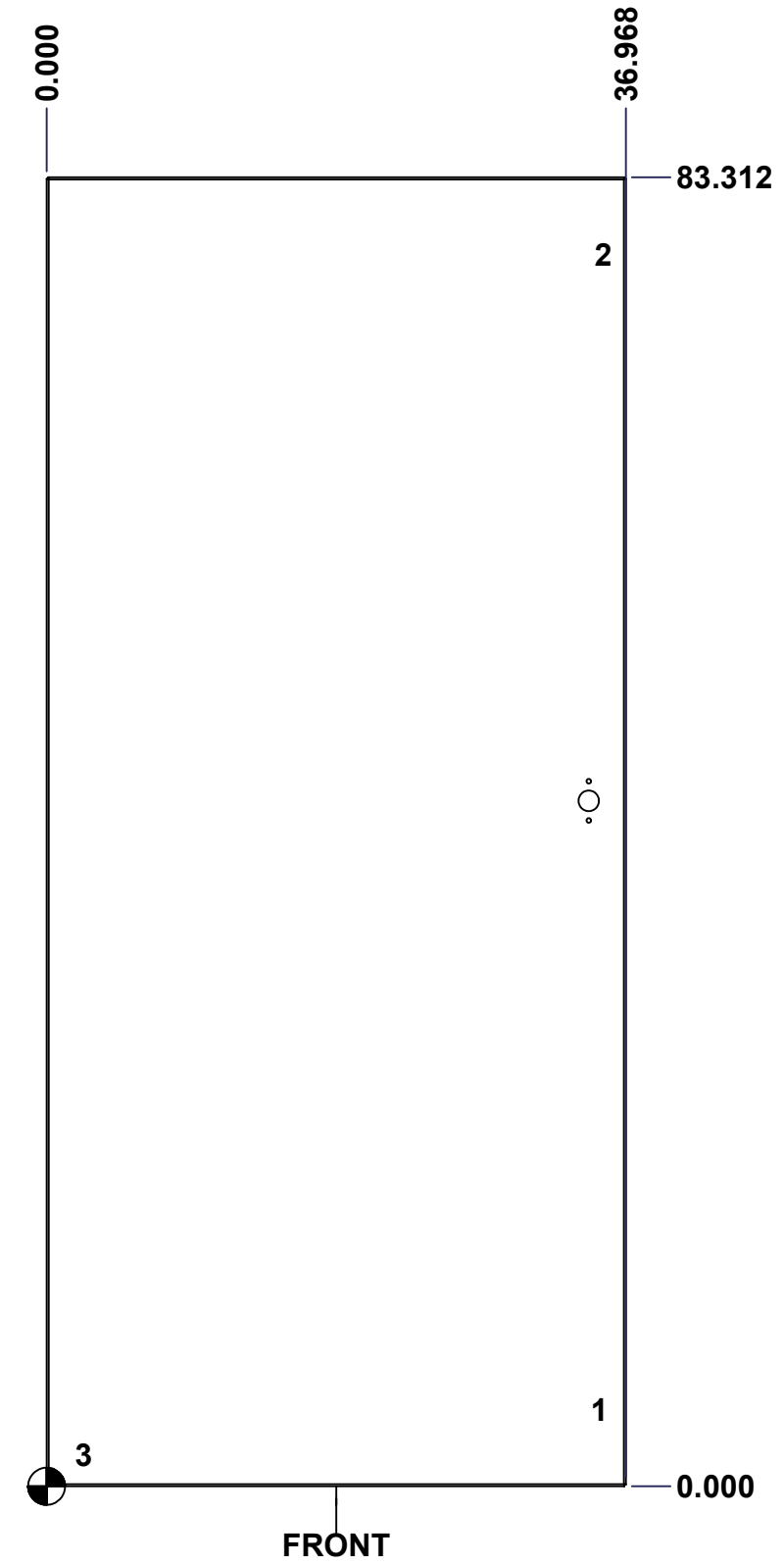
This drawing is confidential and must not be reproduced or used without the consent of EXM

Ce dessin est confidentiel et ne doit pas être reproduit ou utilisé sans le consentement de EXM

STANDARD FEATURES ARE NOT LISTED IN THIS HOLE TABLE

HOLE TABLE - FRONT VIEW (CUSTOM FEATURE ONLY)

CUT-OUT	XDIM	YDIM	DESCRIPTION
1	34.914	4.907	STUD M6 x 18mm (Inside)
2	35.164	72.405	STUD M6 x 18mm (Inside)
3	2.000	2.000	GND STUD M6 x 16mm (Inside)

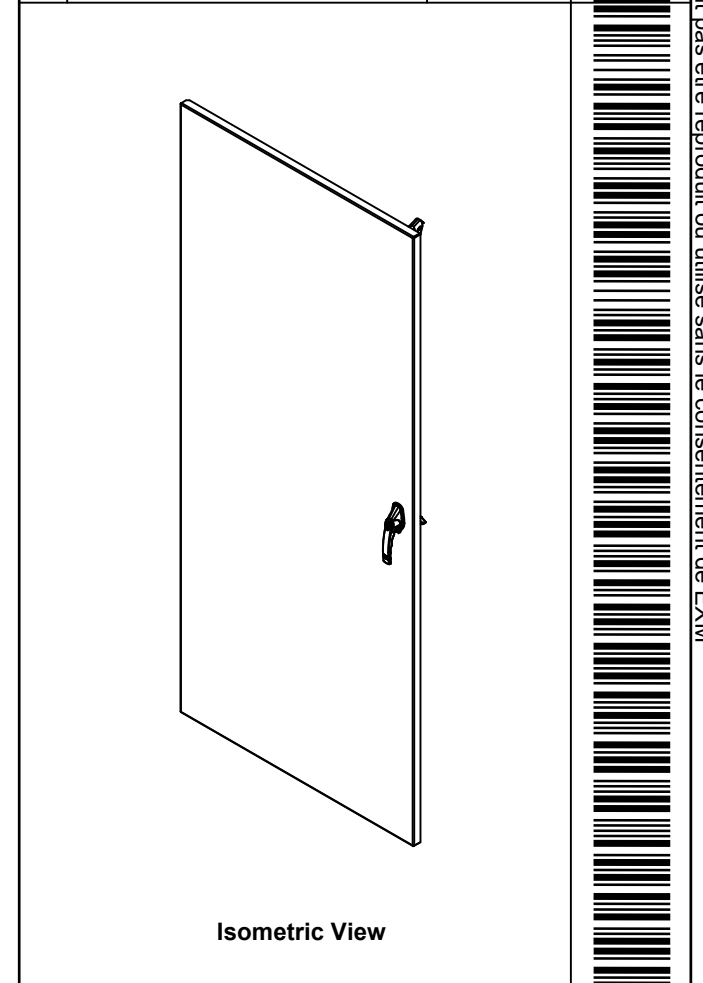


	Description	Status
	9500U3DSS 90" x 117.5" Lock Door	(NULL)
	Part Number Numéro Pièce	Rev.
	9500UDSS9011824_MCLD	0
		2
		3

This drawing is confidential and must not be reproduced or used without the consent of EXM


Ce dessin est confidentiel et ne doit pas être reproduit ou utilisé sans le consentement de EXM

No.	Revisions	Date	By/Par



Qty	Part Name	Rev	Description
1	STK-P-02400S	0	Powder Paint (Asa-61 Grey / Smooth)
1	9500UDSS9011824_MCC B2ESY	0	9500U3DSS 90" Disconnect Closing Bar
1	STK-K-03980-36	12	Gearbox Counter Clockwise Assembly (Grip 36mm)
1	9500UDSS9011824_MCL DG	0	9500U3DSS 90" x 117.5" Lock Door Gasket
1	9500UDSS9011824_MCC B	0	9500U3DSS 90" Closing Bar
1	STK-Q-16095	0	M6 x 16mm Stainless Steel Ground Stud
2	STK-Q-16070	1	Stud M6 x 18mm Stainless steel
1	885ESL2A-APHKSS	7	885 ESL2A-APHKSS - Stainless Steel L-Handle Padlockable Assy
1	9500UDSS9011824_MCL D-P	0	9500U3DSS 90" x 117.5" Lock Door Part
5	STK-K-09870	7	Cabinet Hinge with Captive Pins

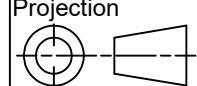
Parts List



Tél: (450) 979-4373
Fax: (450) 979-4626
www.exmweb.com

Flatness
Aplatissement
Max 3.0mm

Projection

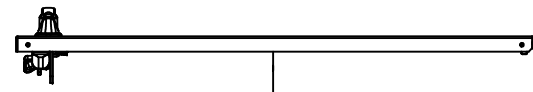


Customer Client	Date
Drawn By Dessiné Par BoxCad: BoxCad	Date 16-Dec-19
Material Matière 12 Ga Stainless Steel 304 (2.5mm)	
Color Couleur Asa-61 Grey	Finish Fini Smooth
Description 9500U3DSS 90" x 117.5" Back Lock Door	Detail Rev.
Part Number Numéro Pièce 9500UDSS9011824_MCLD	Rev. 0

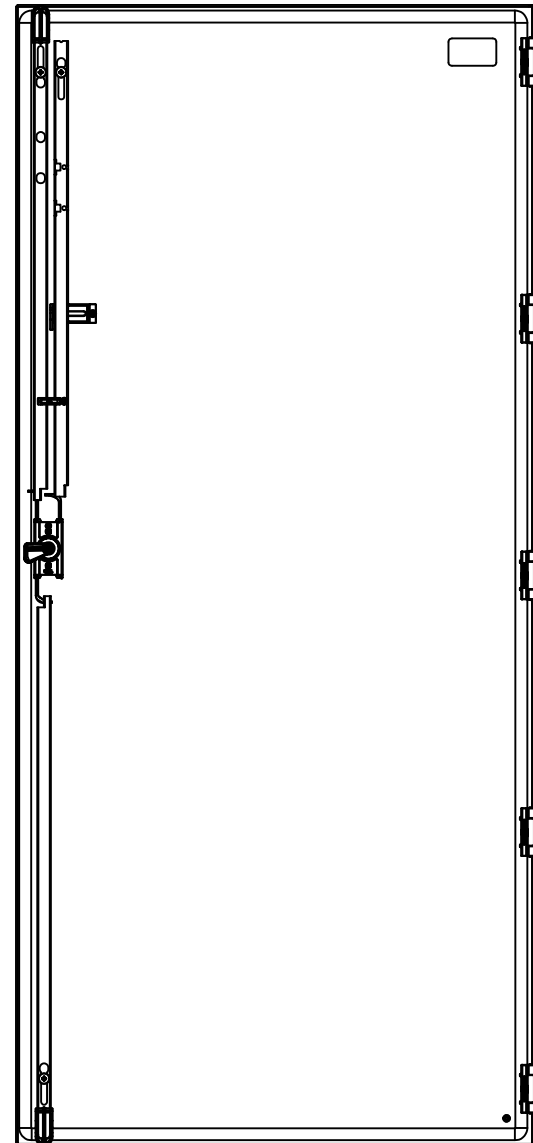
3
3

This drawing is confidential and must not be reproduced or used without the consent of EXM

Ce dessin est confidentiel et ne doit pas être reproduit ou utilisé sans le consentement de EXM



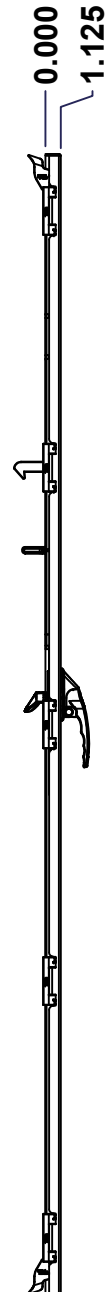
TOP



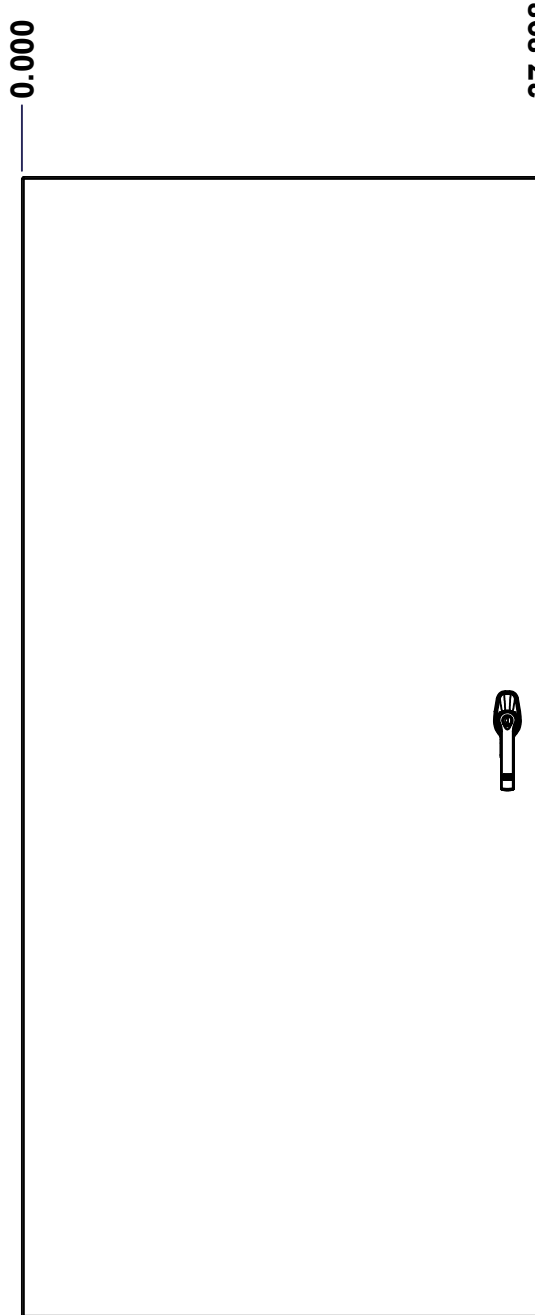
BACK



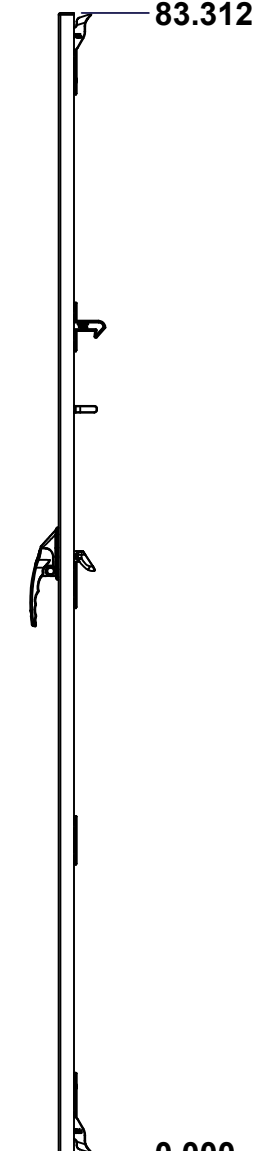
BOTTOM



LEFT

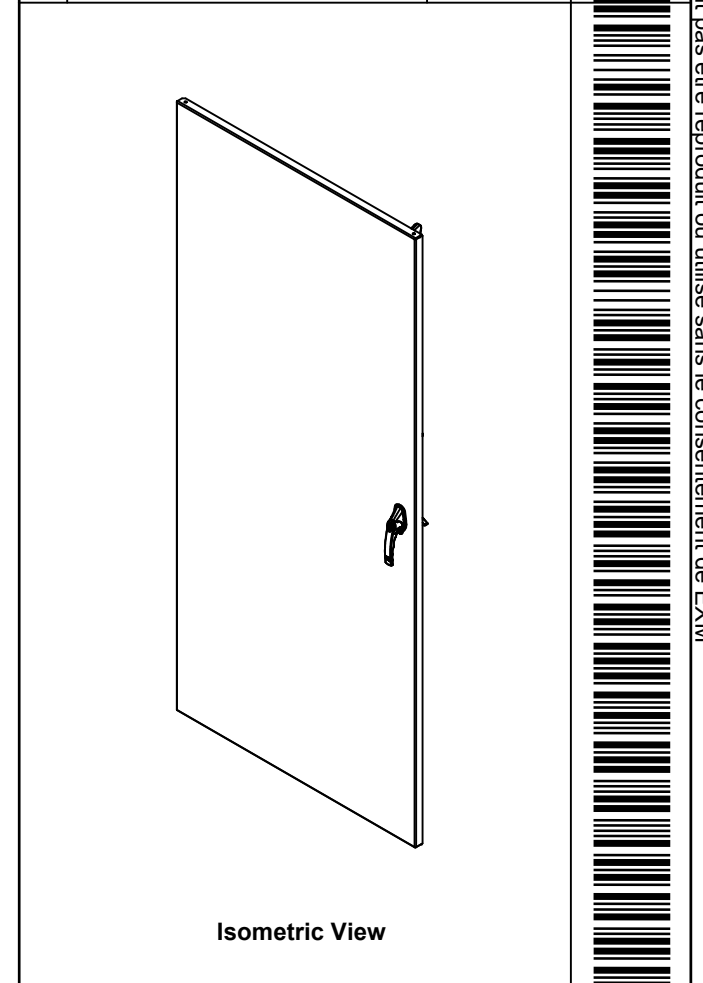


FRONT



RIGHT

No.	Revisions	Date	By/Par



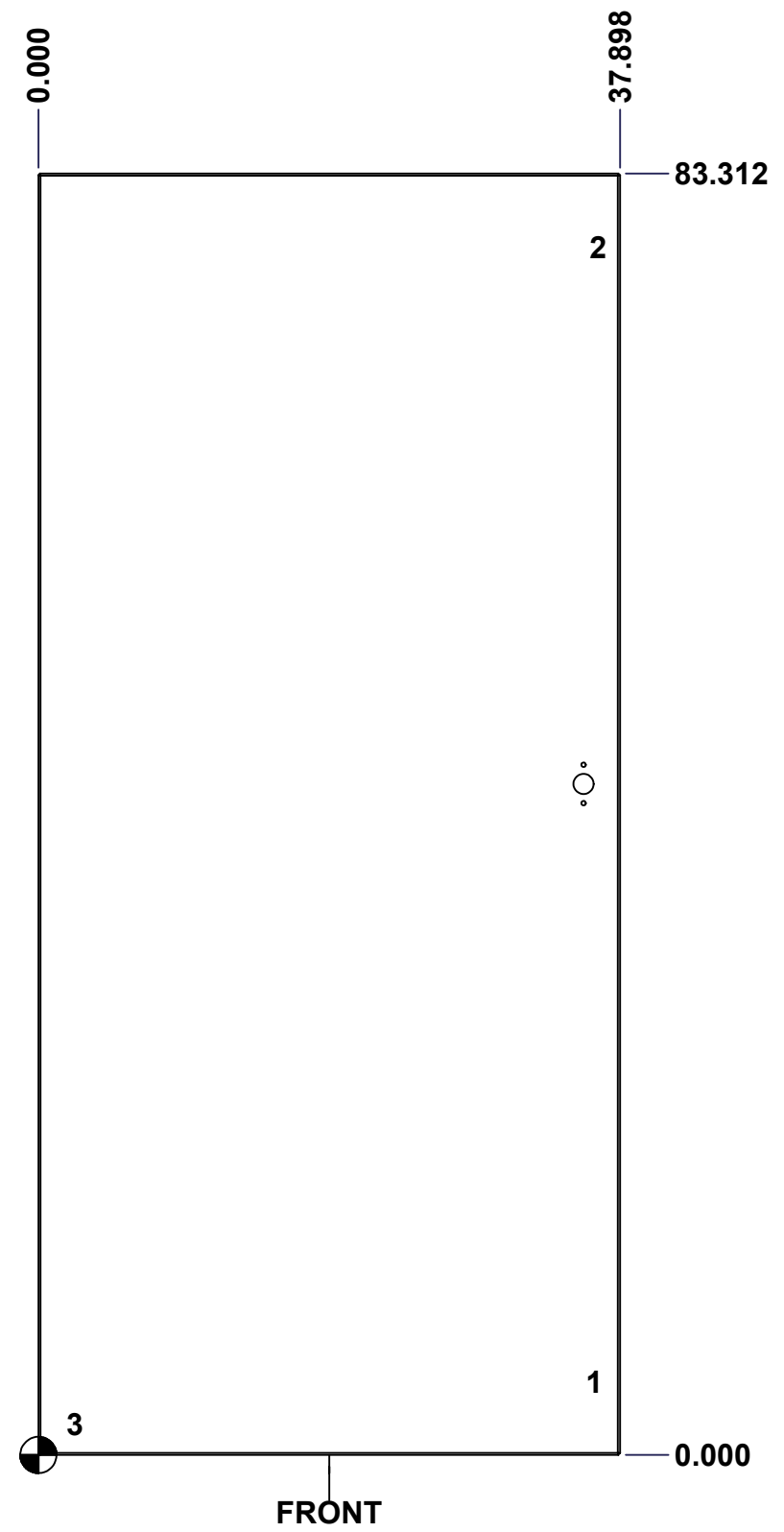
		Flatness / Aplatissement Max 3.0mm Projection	
		Tél: (450) 979-4373 Fax: (450) 979-4626 www.exmweb.com	
Customer Client	Date		
Drawn By / Dessiné Par: BoxCad: BoxCad	Date: 16-Dec-19		
Material / Matière: 12 Ga Stainless Steel 304 (2.5mm)			
Color / Couleur: Asa-61 Grey	Finish / Fini: Smooth		
Description: 9500U3DSS 90" x 117.5" Back Flange Door		Detail Rev.	
Part Number / Numéro Pièce: 9500UDSS9011824_MCFD	Rev. 0	1	3

SEE BILL OF MATERIAL ON LAST PAGE

This drawing is confidential and must not be reproduced or used without the consent of EXM

Ce dessin est confidentiel et ne doit pas être reproduit ou utilisé sans le consentement de EXM

STANDARD FEATURES ARE NOT LISTED IN THIS HOLE TABLE			
HOLE TABLE - FRONT VIEW (CUSTOM FEATURE ONLY)			
CUT-OUT	XDIM	YDIM	DESCRIPTION
1	35.844	4.750	CLOSING BAR GUIDE (Inside)
2	36.094	78.562	CLOSING BAR GUIDE (Inside)
3	2.000	2.000	GND STUD M6 x 16mm (Inside)

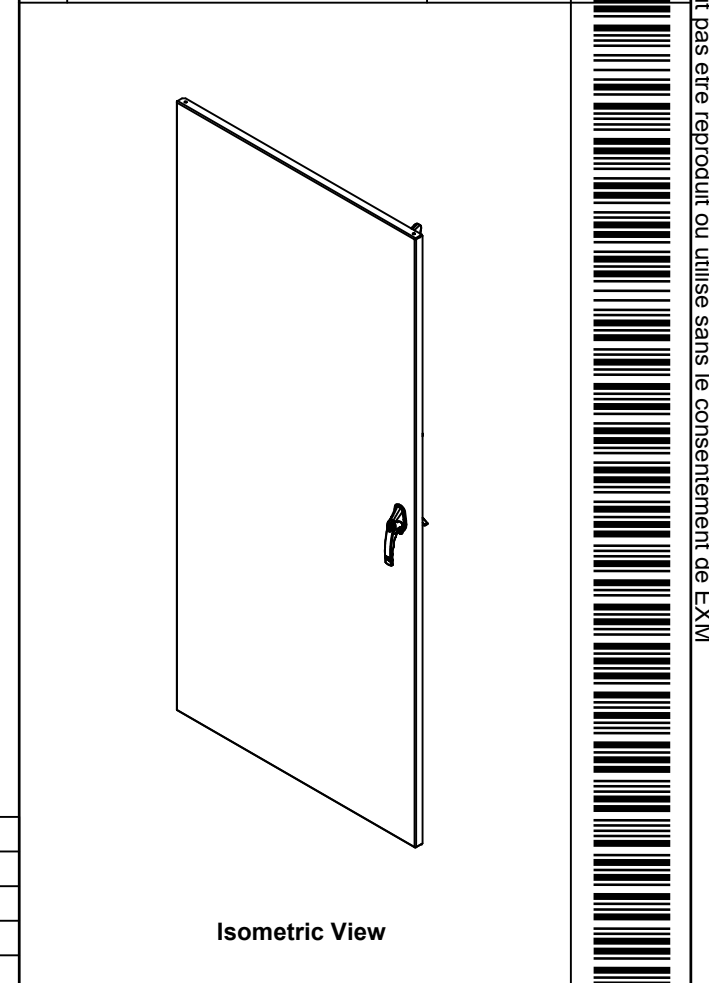


	Description	Status	
	9500U3DSS 90" x 117.5" Lock Door	(NULL)	
	Part Number Numéro Pièce	Rev.	
	9500UDSS9011824_MCFD	0	2 / 3

This drawing is confidential and must not be reproduced or used without the consent of EXM

Ce dessin est confidentiel et ne doit pas être reproduit ou utilisé sans le consentement de EXM

No.	Revisions	Date	By/Par

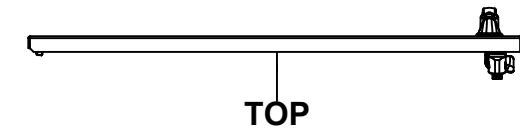


1	STK-Q-07220	1	M6 Nylon Insert Lock Nut
1	STK-Q-13060	1	M6 Flat Washer
1	STK-Q-46600	3	5500 ESY Disconnect Door Hook
1	STK-A-03995-36	1	Gearbox Counter Clockwise Assembly (Grip 36mm)
1	STK-Q-16095	0	M6 x 16mm Stainless Steel Ground Stud
5	STK-Q-16070	1	Stud M6 x 18mm Stainless steel
1	885ESL2A-APHKSS	7	885 ESL2A-APHKSS - Stainless Steel L-Handle Padlockable Assy
5	STK-K-09870	7	Cabinet Hinge with Captive Pins
1	STK-P-02400S	0	Powder Paint (Asa-61 Grey / Smooth)
1	STK-S-00100	0	3.5" x 2" Silver Milar Flexcon Sticker
1	STK-Q-03200	0	M6 x 8mm Hexagon/Slot Screw
1	9500UDSS9011824_MCD B_ESY	0	9500U3DSS 90" Disconnect Defeater Bar
1	9500UDSS9011824_MCC B	0	9500U3DSS 90" Closing Bar
1	9500UDSS9011824_MCC B_ESY	0	9500U3DSS 90" Disconnect Closing Bar
1	9500UDSS9011824_MCF DG	0	9500U3DSS 90" x 117.5" Lock Door Gasket
1	9500UDSS9011824_MCF D-P	0	9500U3DSS 90" x 117.5" Lock Door Part
Qty	Part Name	Rev	Description
Parts List			

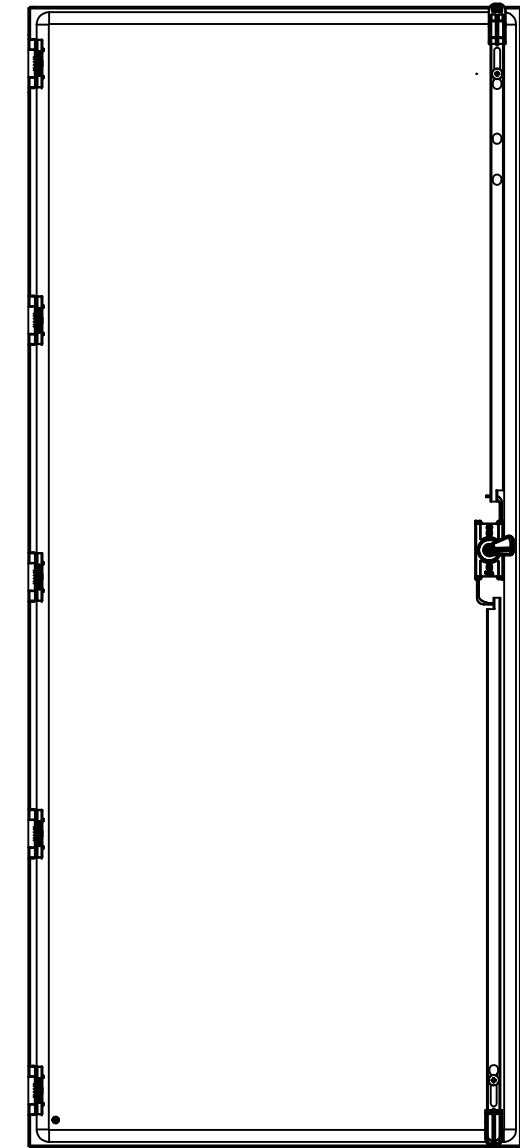
<p>Tél: (450) 979-4373 Fax: (450) 979-4626 www.exmweb.com</p>	Flatness Aplatissement	Max 3.0mm
	Projection	
Customer Client	Date	
Drawn By Dessiné Par	BoxCad: BoxCad	Date 16-Dec-19
Material Matière	12 Ga Stainless Steel 304 (2.5mm)	
Color Couleur	Asa-61 Grey	Finish Fini Smooth
Description	Detail Rev.	
9500U3DSS 90" x 117.5" Back Flange Door		
Part Number Numéro Pièce	Rev.	3
9500UDSS9011824_MCFD	0	3

This drawing is confidential and must not be reproduced or used without the consent of EXM

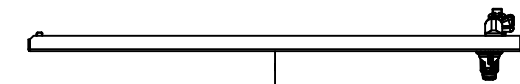
Ce dessin est confidentiel et ne doit pas être reproduit ou utilisé sans le consentement de EXM



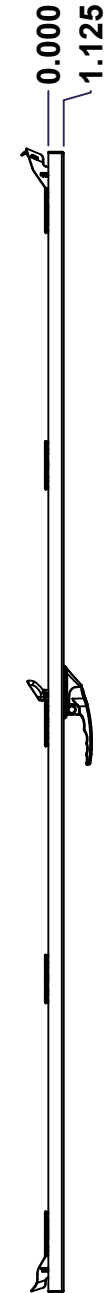
TOP



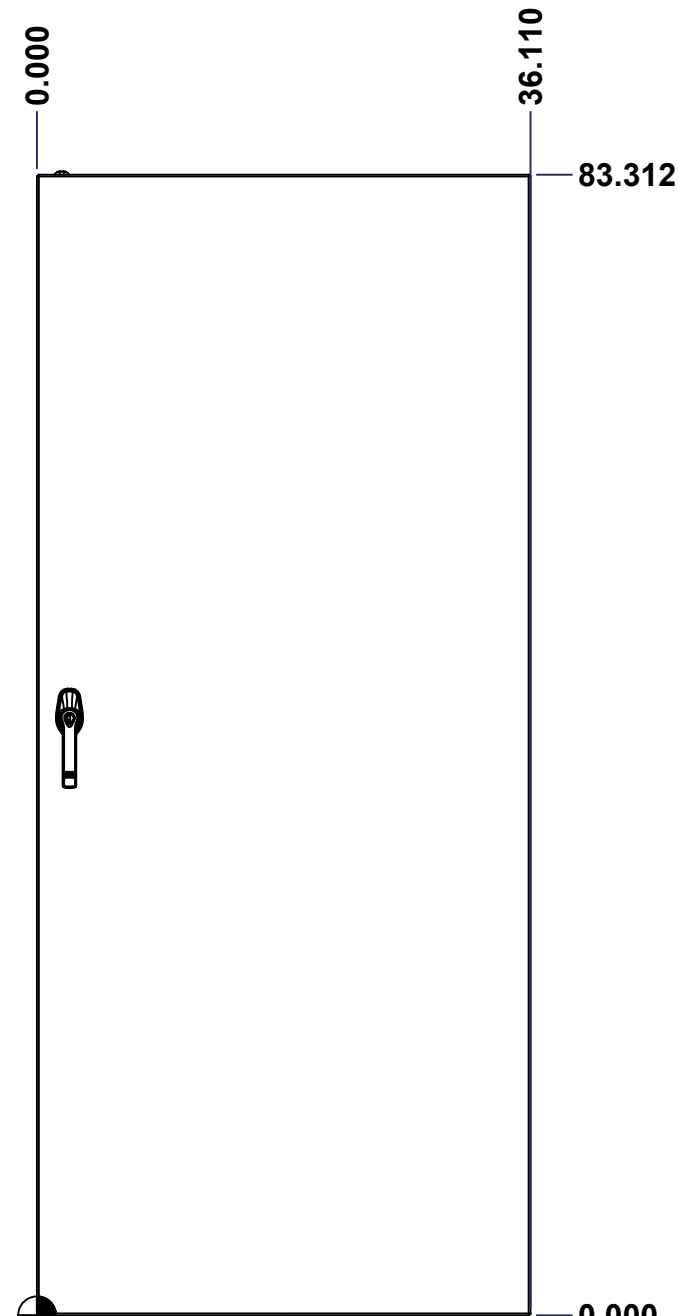
BACK



BOTTOM



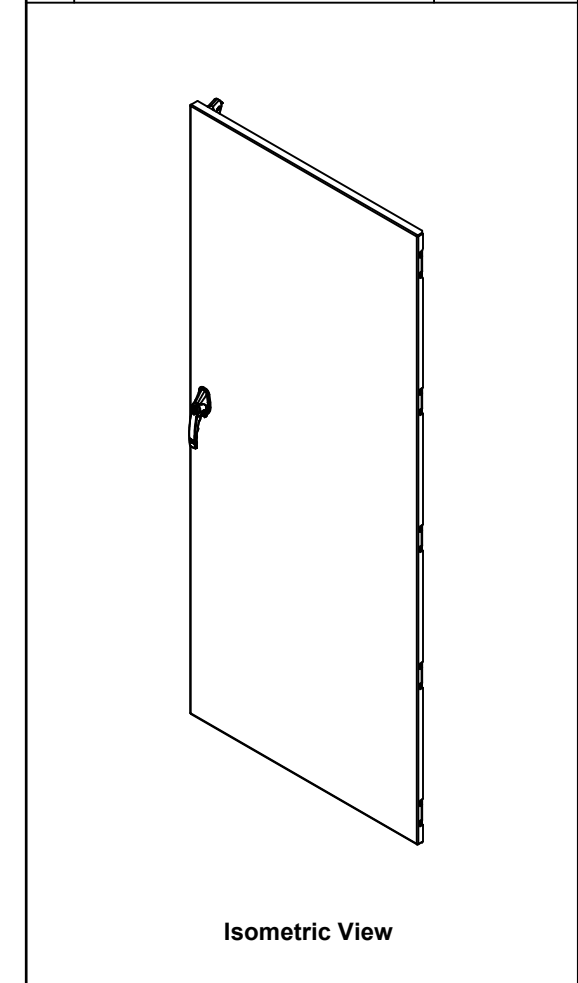
LEFT



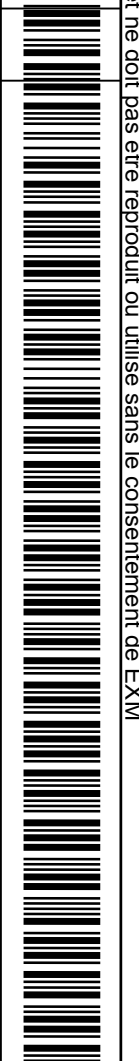
FRONT



No.	Revisions	Date	By/Par



Isometric View



Tél: (450) 979-4373
 Fax: (450) 979-4626
www.exmweb.com

Flatness
Aplatissement
Max 3.0mm
Projection

Customer Client	Date
Drawn By / Dessiné Par: BoxCad: BoxCad	Date: 16-Dec-19
Material / Matière: 12 Ga Stainless Steel 304 (2.5mm)	
Color / Couleur: Asa-61 Grey	Finish / Fini: Smooth
Description: 9500U3DSS 90" x 117.5" Right Door	Detail Rev.
Part Number / Numéro Pièce: 9500UDSS9011824_MCRD	Rev. 1
SEE BILL OF MATERIAL ON LAST PAGE	0

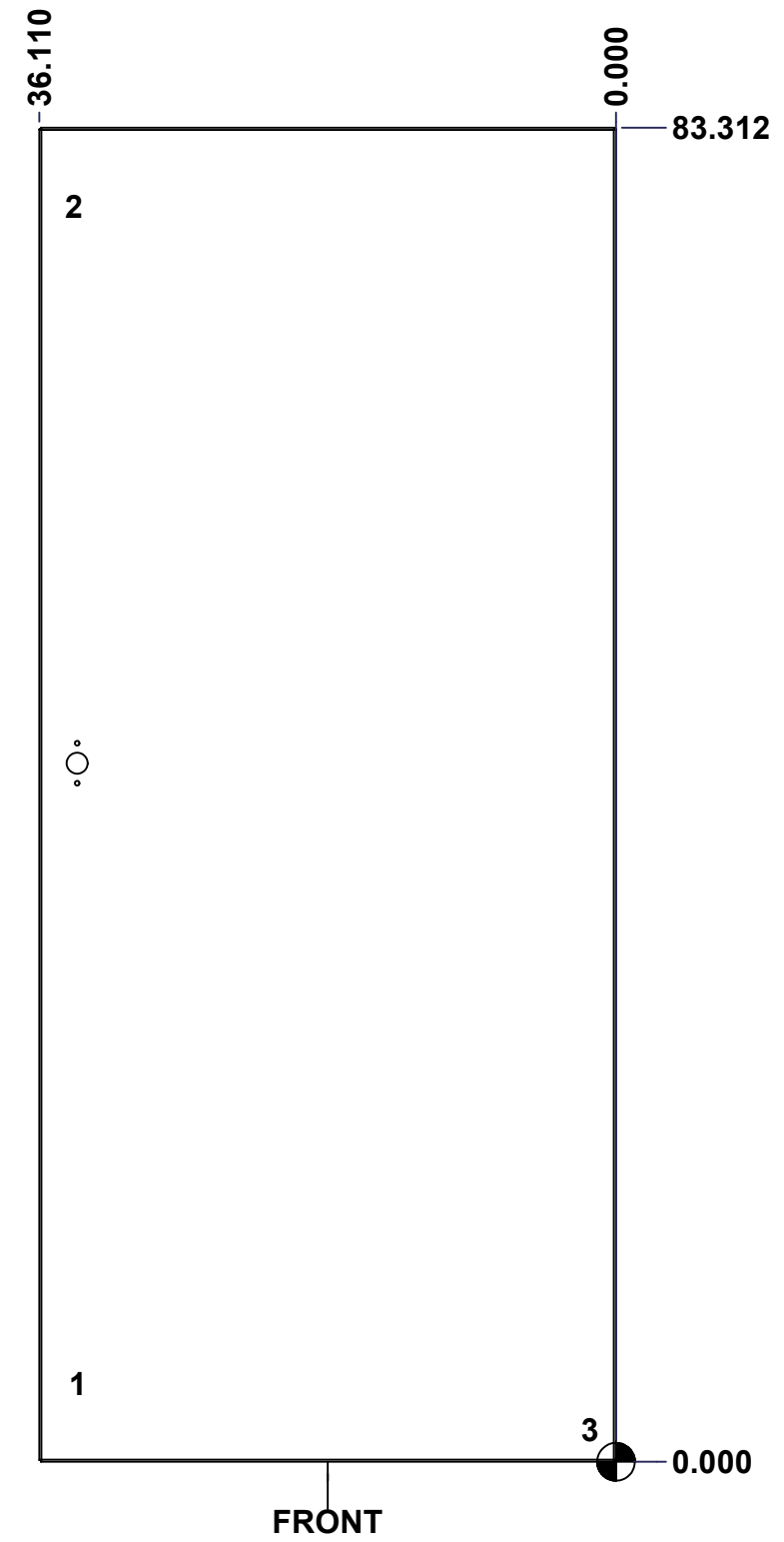
SEE BILL OF MATERIAL ON LAST PAGE 9500UDSS9011824_MCRD

Rev. 1
0

This drawing is confidential and must not be reproduced or used without the consent of EXM

Ce dessin est confidentiel et ne doit pas être reproduit ou utilisé sans le consentement de EXM

STANDARD FEATURES ARE NOT LISTED IN THIS HOLE TABLE			
HOLE TABLE - FRONT VIEW (CUSTOM FEATURE ONLY)			
CUT-OUT	XDIM	YDIM	DESCRIPTION
1	34.056	4.907	STUD M6 x 18mm (Inside)
2	34.306	78.405	STUD M6 x 18mm (Inside)
3	2.000	2.000	GND STUD M6 x 16mm (Inside)

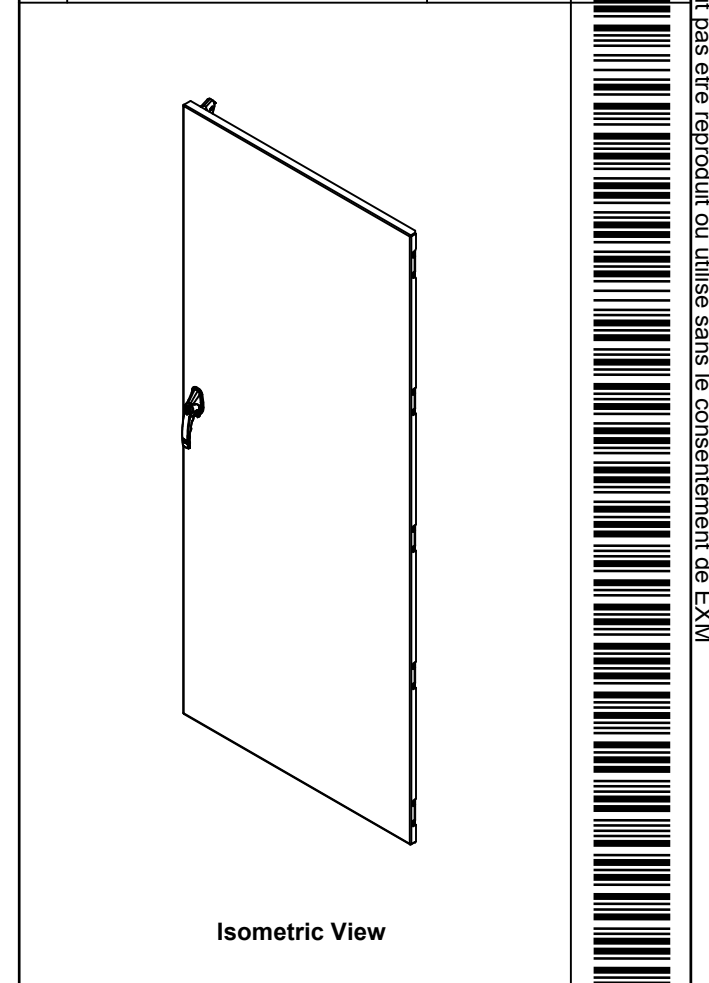


	Description		Status
	9500U3DSS 90" x 117.5" Lock Door		(NULL)
	Part Number Numéro Pièce		Rev.
	9500UDSS9011824_MCRD		2 3
		0	

This drawing is confidential and must not be reproduced or used without the consent of EXM


Ce dessin est confidentiel et ne doit pas être reproduit ou utilisé sans le consentement de EXM

No.	Revisions	Date	By/Par



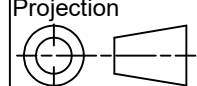
Qty	Part Name	Rev	Description
1	STK-P-02400S	0	Powder Paint (Asa-61 Grey / Smooth)
1	9500UDSS9011824_MCC B2ESY	0	9500U3DSS 90" Disconnect Closing Bar
1	STK-K-03980-36	12	Gearbox Counter Clockwise Assembly (Grip 36mm)
1	9500UDSS9011824_MCR DG	0	9500U3DSS 90" x 117.5" Lock Door Gasket
1	9500UDSS9011824_MCC B	0	9500U3DSS 90" Closing Bar
1	STK-Q-16095	0	M6 x 16mm Stainless Steel Ground Stud
2	STK-Q-16070	1	Stud M6 x 18mm Stainless steel
1	885ESL2A-APHKSS	7	885 ESL2A-APHKSS - Stainless Steel L-Handle Padlockable Assy
1	9500UDSS9011824_MCR D-P	0	9500U3DSS 90" x 117.5" Lock Door Part
5	STK-K-09870	7	Cabinet Hinge with Captive Pins

Parts List



Tél: (450) 979-4373
Fax: (450) 979-4626
www.exmweb.com

Flatness / Aplatissement: Max 3.0mm

Projection: 

Customer Client	Date
Drawn By / Dessiné Par: BoxCad: BoxCad	Date: 16-Dec-19
Material / Matière: 12 Ga Stainless Steel 304 (2.5mm)	
Color / Couleur: Asa-61 Grey	Finish / Fini: Smooth
Description: 9500U3DSS 90" x 117.5" Right Door	Detail Rev.
Part Number / Numéro Pièce: 9500UDSS9011824_MCRD	Rev. 0

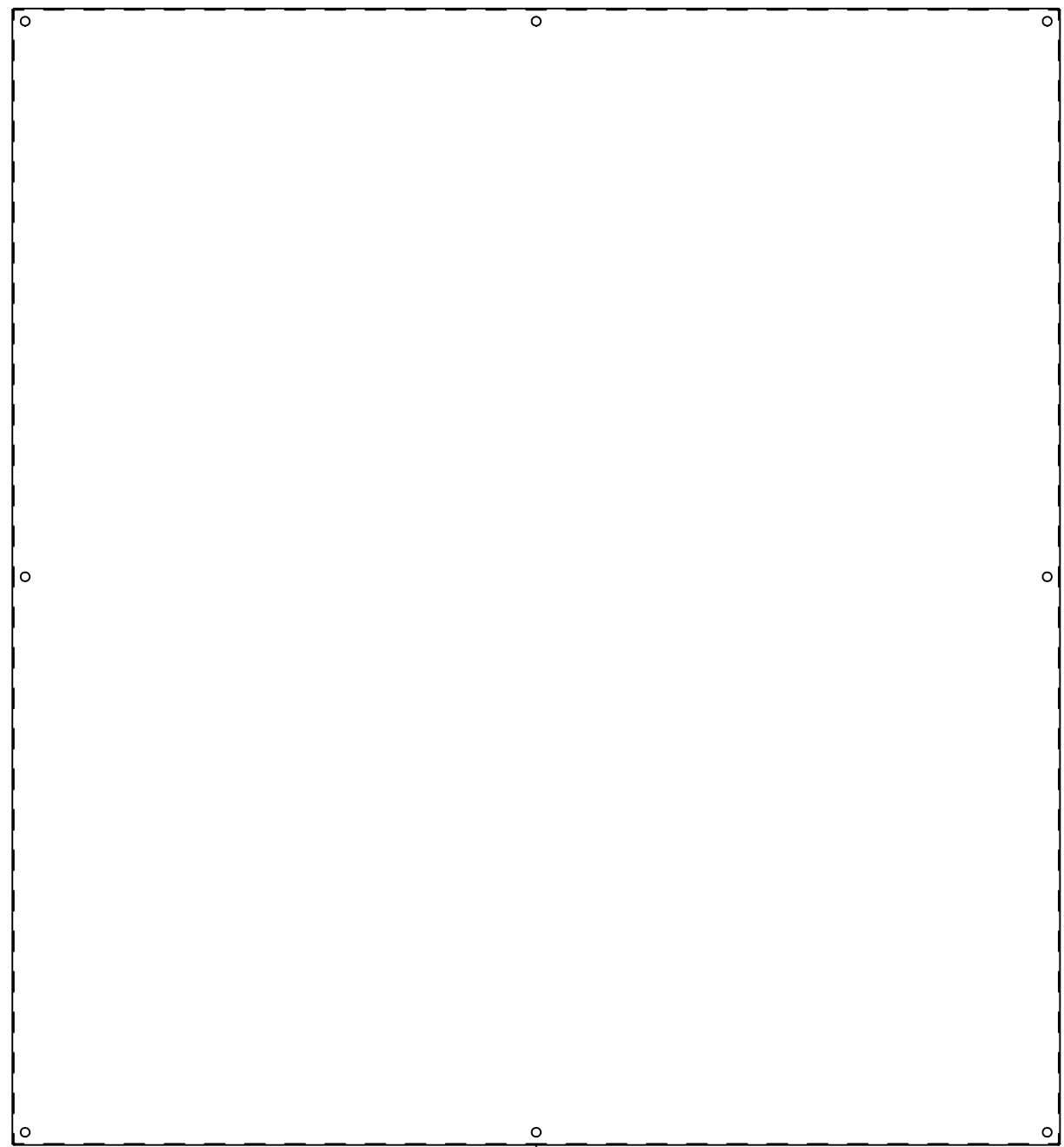
3 / 3

This drawing is confidential and must not be reproduced or used without the consent of EXM

Ce dessin est confidentiel et ne doit pas être reproduit ou utilisé sans le consentement de EXM



TOP



FRONT

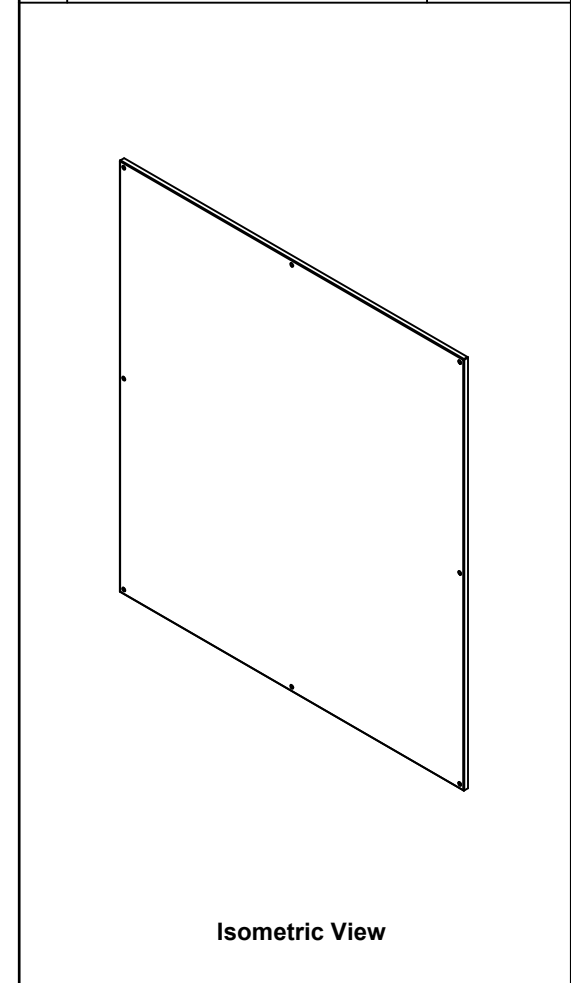
78.000



0.000

RIGHT

No.	Revisions	Date	By/Par



Isometric View



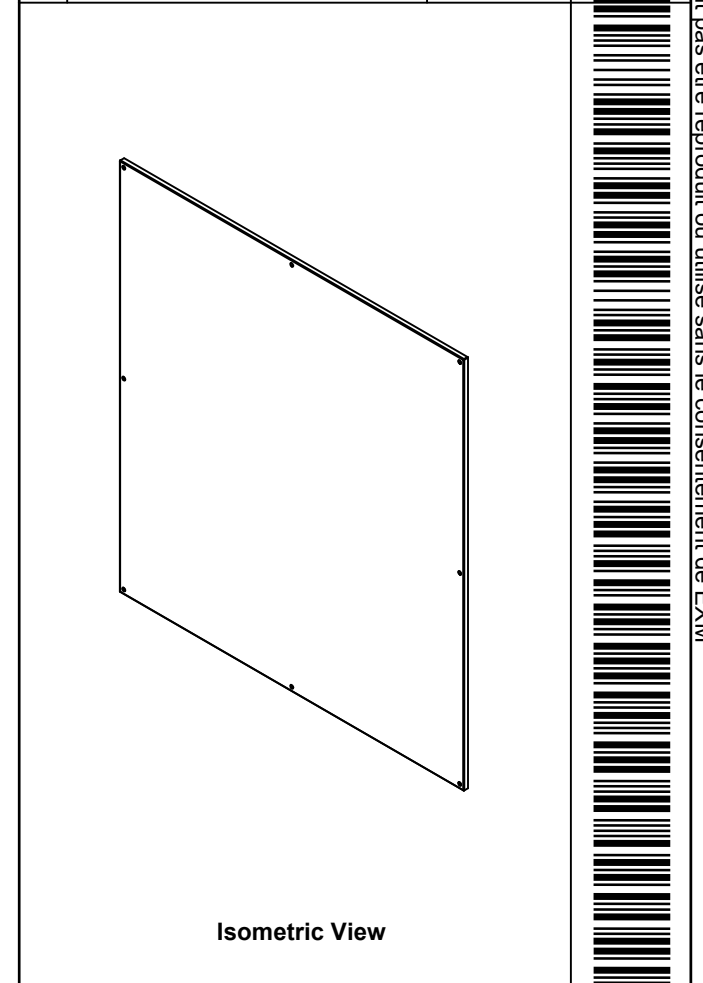
Tél: (450) 979-4373 Fax: (450) 979-4626 www.exmweb.com		Flatness Aplatissement Max 3.0mm Projection
Customer Client	Date	
Drawn By Dessiné Par	BoxCad: BoxCad	Date 16-Dec-19
Material Matière	12 Ga Galvanized (2.5mm)	
Color Couleur	Unpainted	Finish Fini Smooth
Description	Detail Rev.	
9500U3DSS 90" x 117.5" Inner Panel		
Part Number Numéro Pièce	Rev.	1
9500UDSS9011824_MCIP	0	3

SEE BILL OF MATERIAL ON LAST PAGE

This drawing is confidential and must not be reproduced or used without the consent of EXM

Ce dessin est confidentiel et ne doit pas être reproduit ou utilisé sans le consentement de EXM

No.	Revisions	Date	By/Par

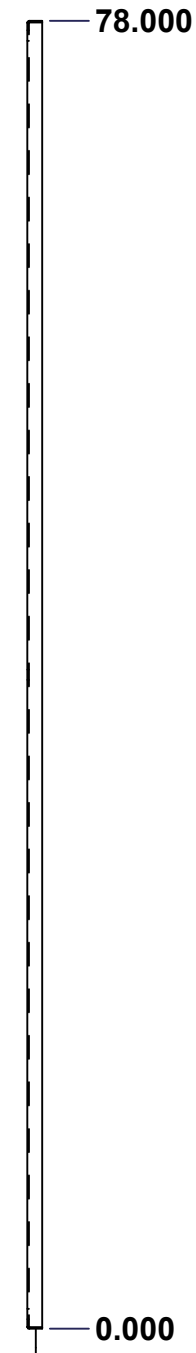
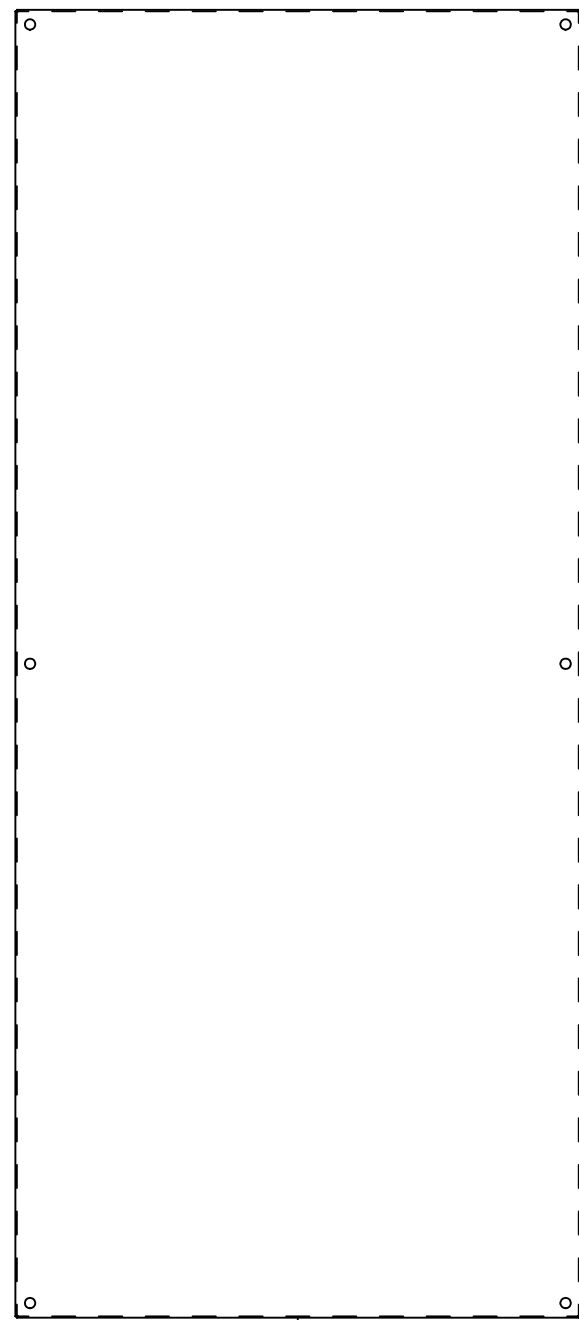
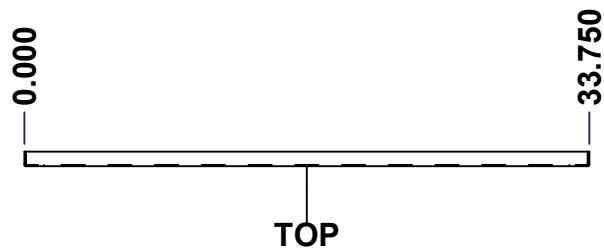


Tél: (450) 979-4373 Fax: (450) 979-4626 www.exmweb.com		Flatness Aplatissement Max 3.0mm	
		Projection 	
Customer Client		Date	
Drawn By / Dessiné Par: BoxCad: BoxCad		Date: 16-Dec-19	
Material / Matière: 12 Ga Galvanized (2.5mm)			
Color / Couleur: Unpainted		Finish / Fini: Smooth	
Description: 9500U3DSS 90" x 117.5" Inner Panel			Detail Rev.
Part Number / Numéro Pièce: 9500UDSS9011824_MCIP		Rev.:	3

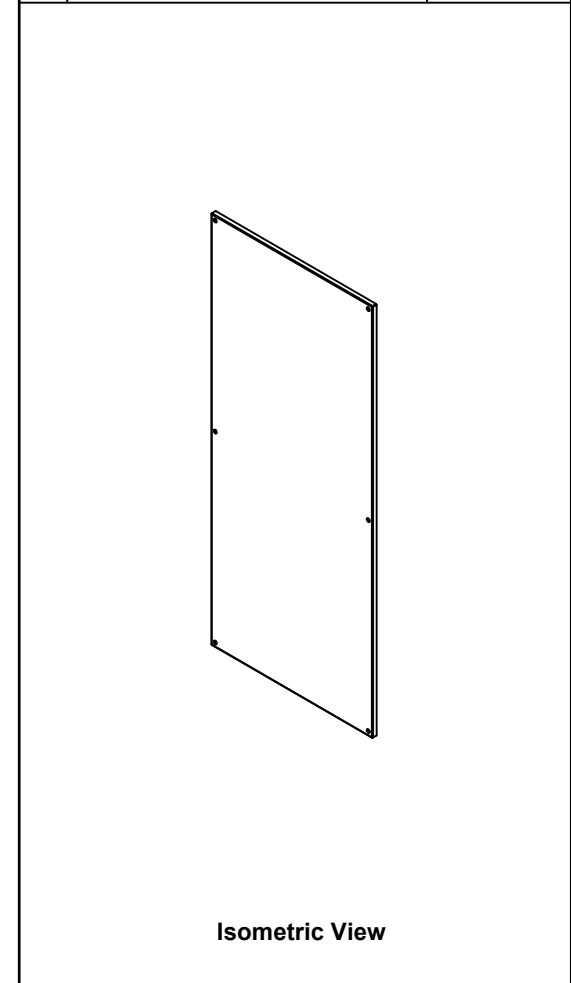
Qty	Part Number	Rev	Description
1	9500UDSS9011824_MCIP -P	0	9500U3DSS 90" x 117.5" Inner Panel Part
Parts List			

This drawing is confidential and must not be reproduced or used without the consent of EXM

Ce dessin est confidentiel et ne doit pas être reproduit ou utilisé sans le consentement de EXM



No.	Revisions	Date	By/Par



Isometric View



Tél: (450) 979-4373
 Fax: (450) 979-4626
www.exmweb.com

Flatness
Aplatissement
Max 3.0mm
Projection

Customer Client	Date
Drawn By / Dessiné Par: BoxCad: BoxCad	Date: 16-Dec-19

Material / Matière: 12 Ga Galvanized (2.5mm)

Color / Couleur: Unpainted	Finish / Fini: Smooth
----------------------------	-----------------------

Description: 9500U3DSS 90" x 117.5" Inner Panel

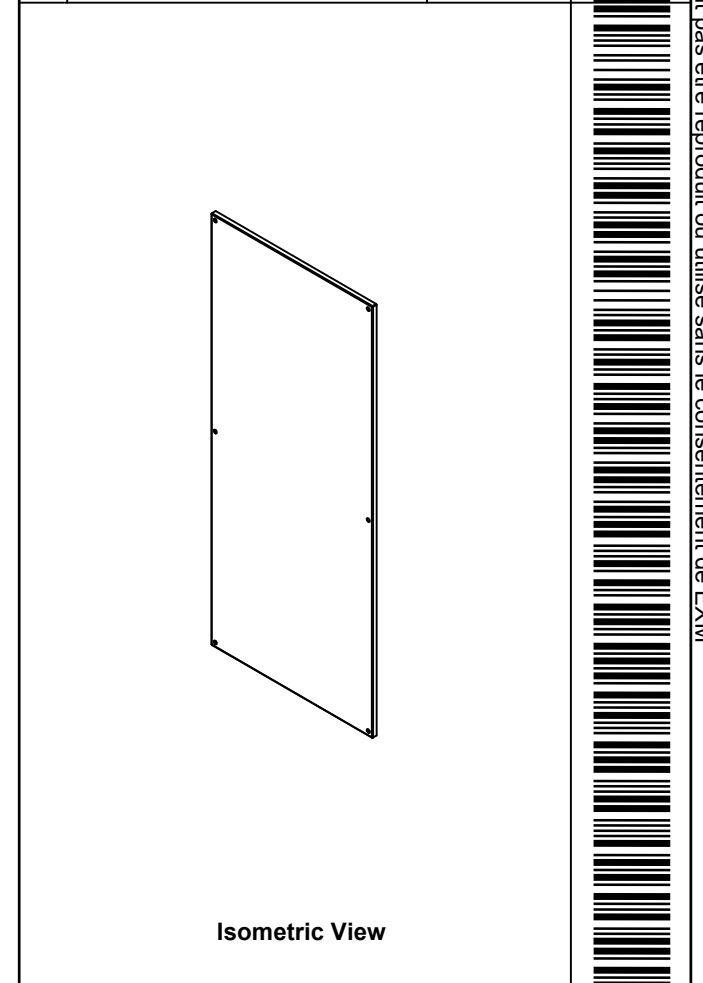
Part Number / Numéro Pièce: 9500UDSS9011824_MCI2	Rev. 0	1 / 3
--	--------	-------

SEE BILL OF MATERIAL ON LAST PAGE

This drawing is confidential and must not be reproduced or used without the consent of EXM

Ce dessin est confidentiel et ne doit pas être reproduit ou utilisé sans le consentement de EXM

No.	Revisions	Date	By/Par



Tél: (450) 979-4373 Fax: (450) 979-4626 www.exmweb.com		Flatness / Aplatissement Max 3.0mm	
		Projection 	
Customer Client		Date	
Drawn By / Dessiné Par: BoxCad: BoxCad		Date: 16-Dec-19	
Material / Matière: 12 Ga Galvanized (2.5mm)			
Color / Couleur: Unpainted		Finish / Fini: Smooth	
Description: 9500U3DSS 90" x 117.5" Inner Panel			Detail Rev.
Part Number / Numéro Pièce: 9500UDSS9011824_MCI2		Rev. 0	3 / 3

Qty	Part Number	Rev	Description
1	9500UDSS9011824_MCIP-2	0	9500U3DSS 90" x 117.5" Inner Panel Part
Parts List			